
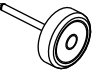
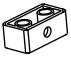



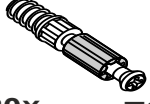

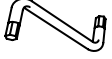

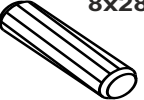
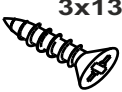



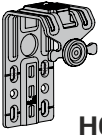


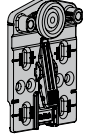
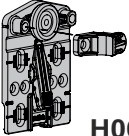
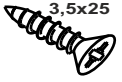
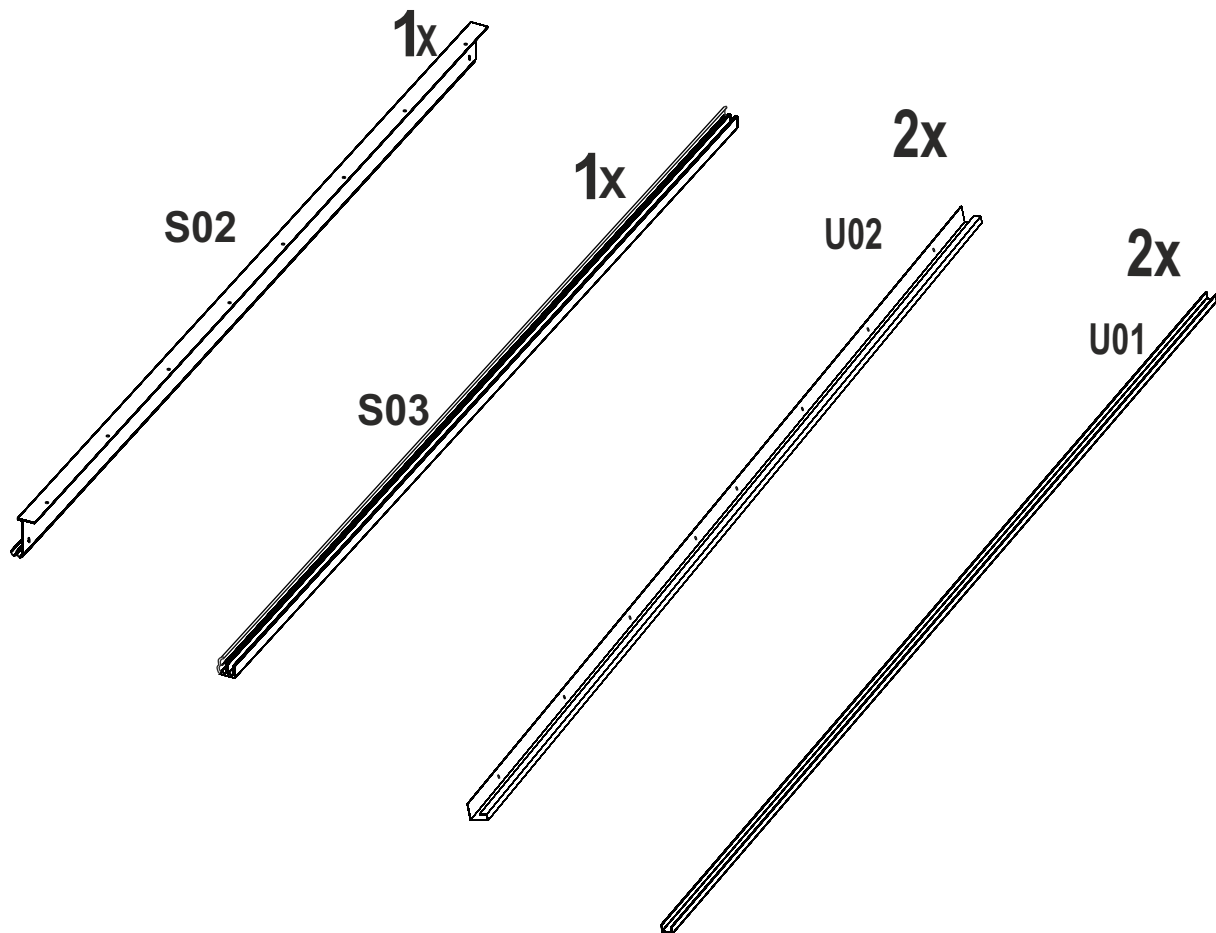
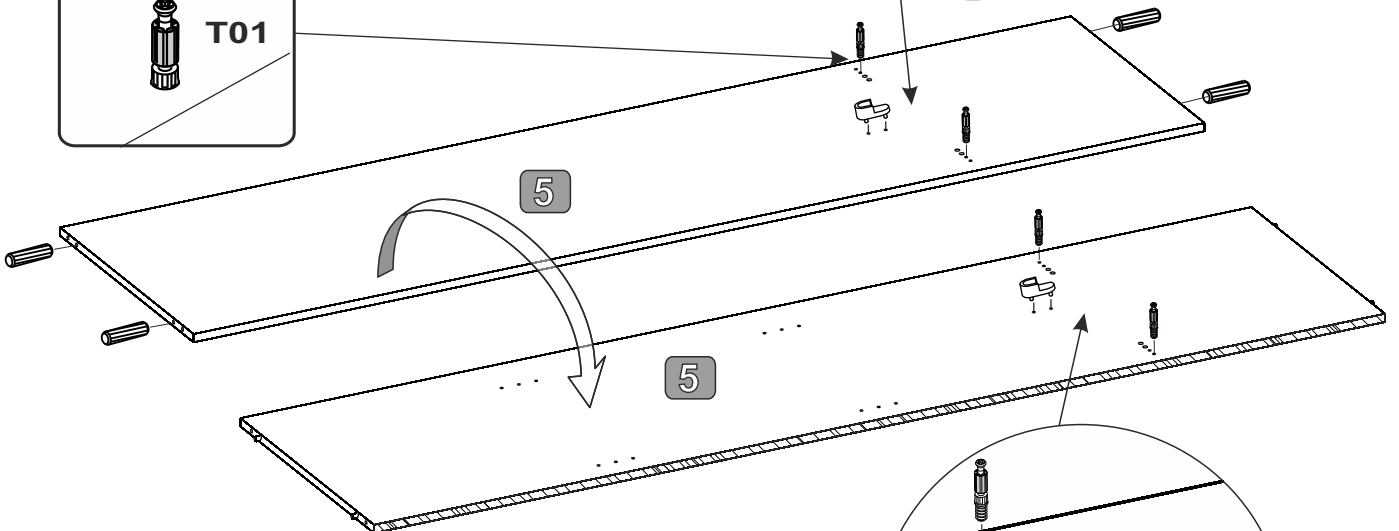
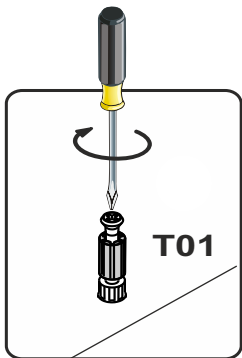
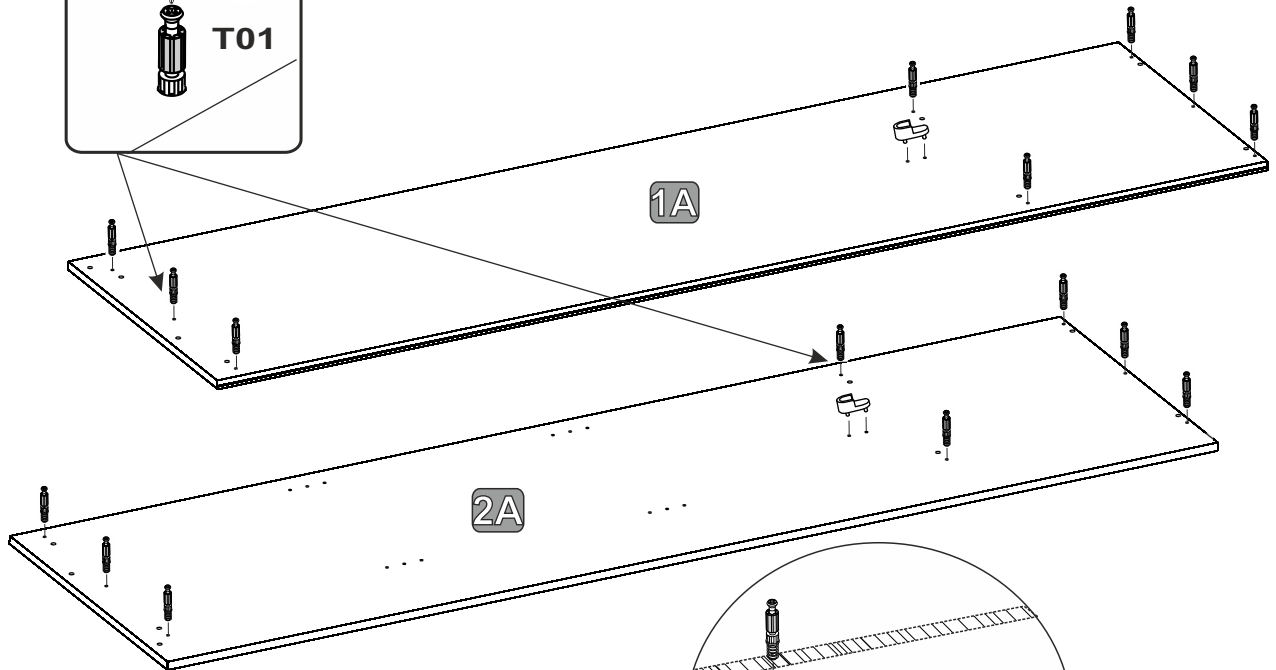
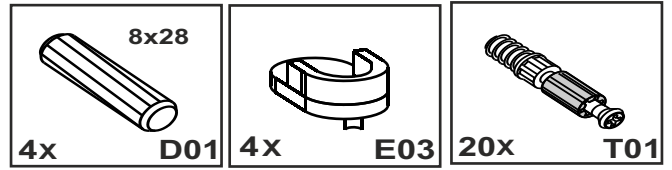
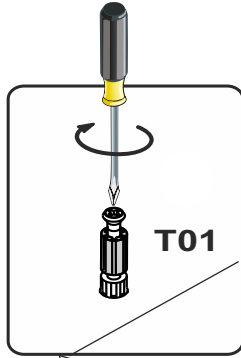
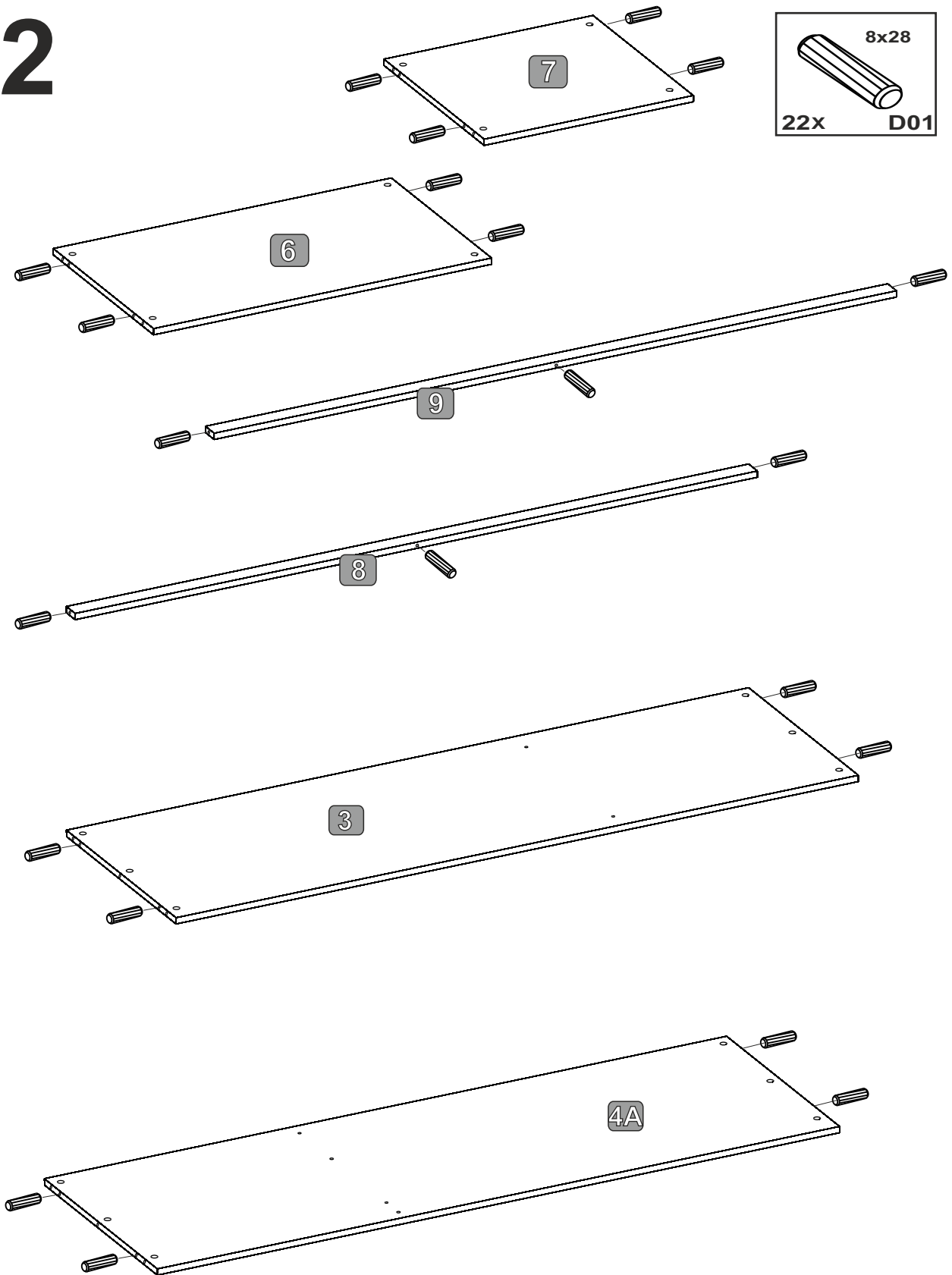
 4x E03	 2x J01	 6x S01	 2x E05	 3,5x13 6x W05	 60x G01
 20x T02	 20x T01	 7x50 4x W06	 1x K01	 3,5x13 65x W01	 8x28 26x D01
 3x13 22x W04	 8x W08	 4x13 2x W02	 2x H04	 2x H07	 2x H09
 2x H08	 1x H10	 1x H06	 3,5x25 4x W09		



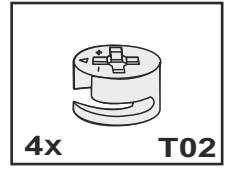
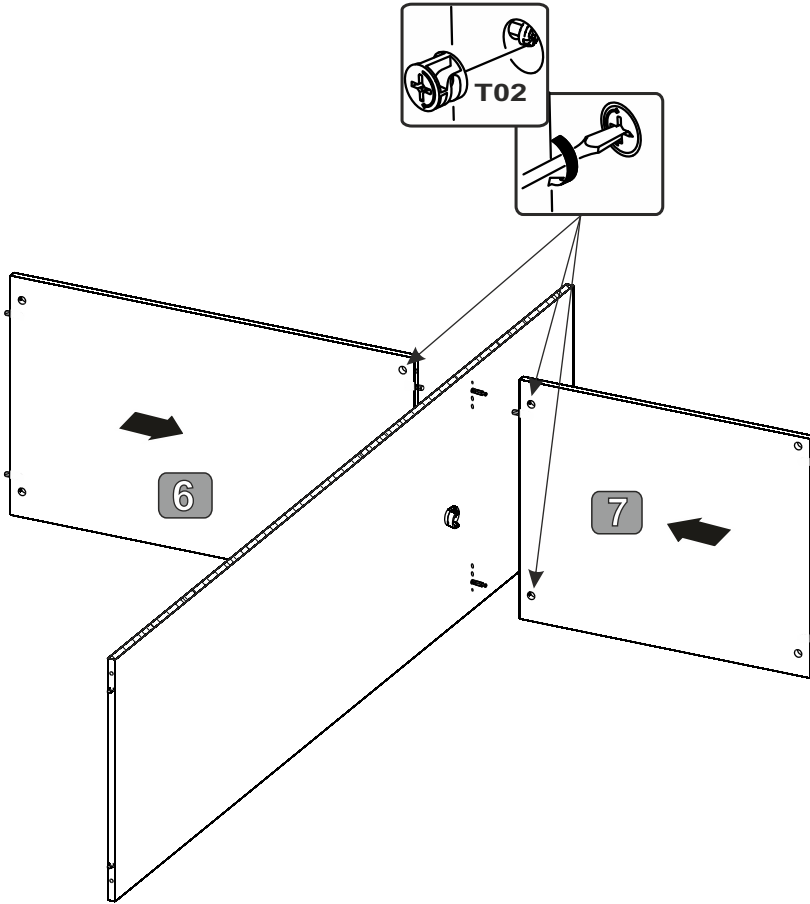
1



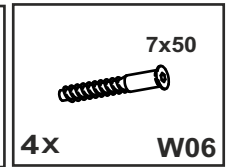
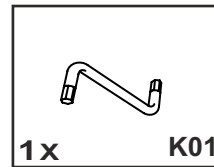
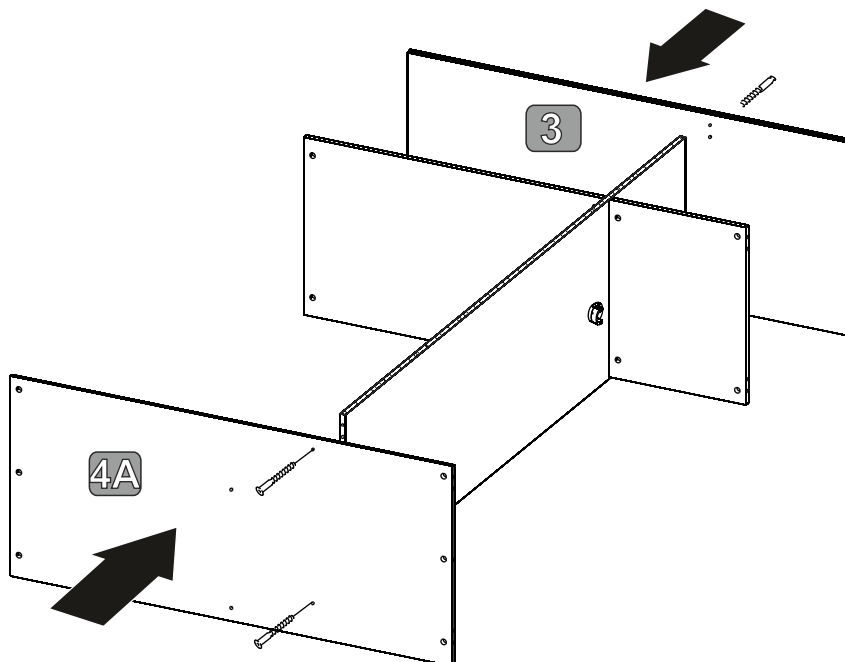
2



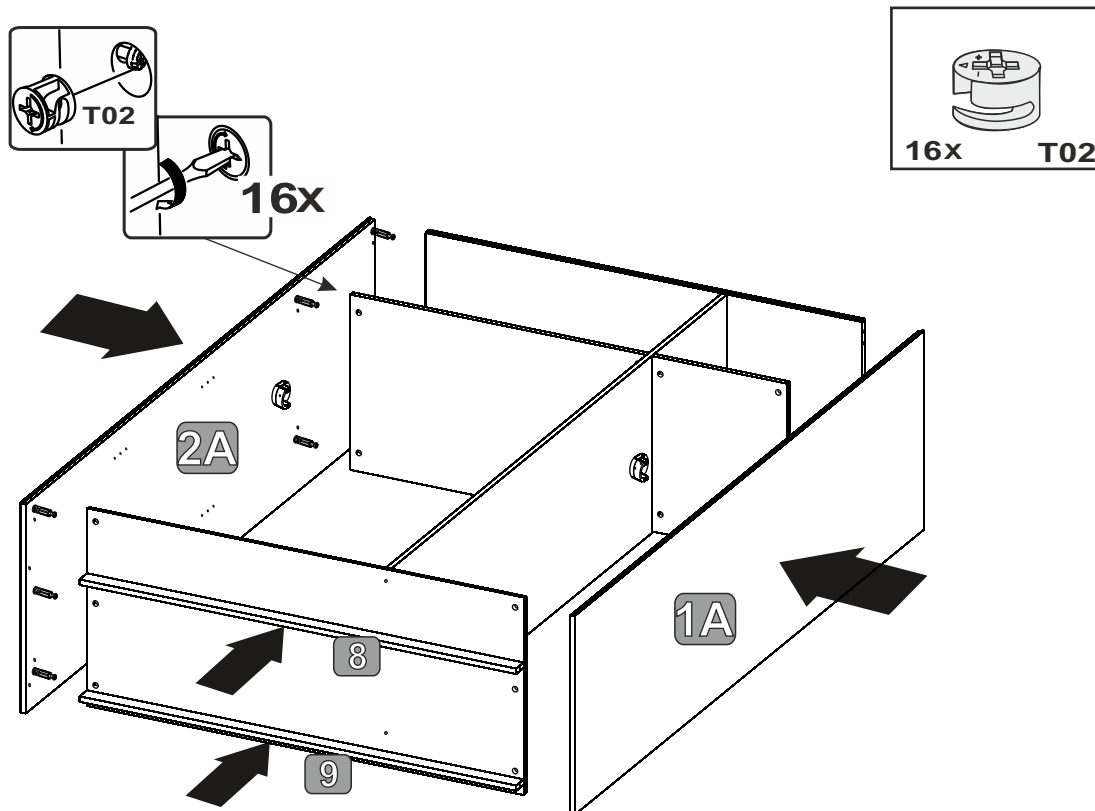
3



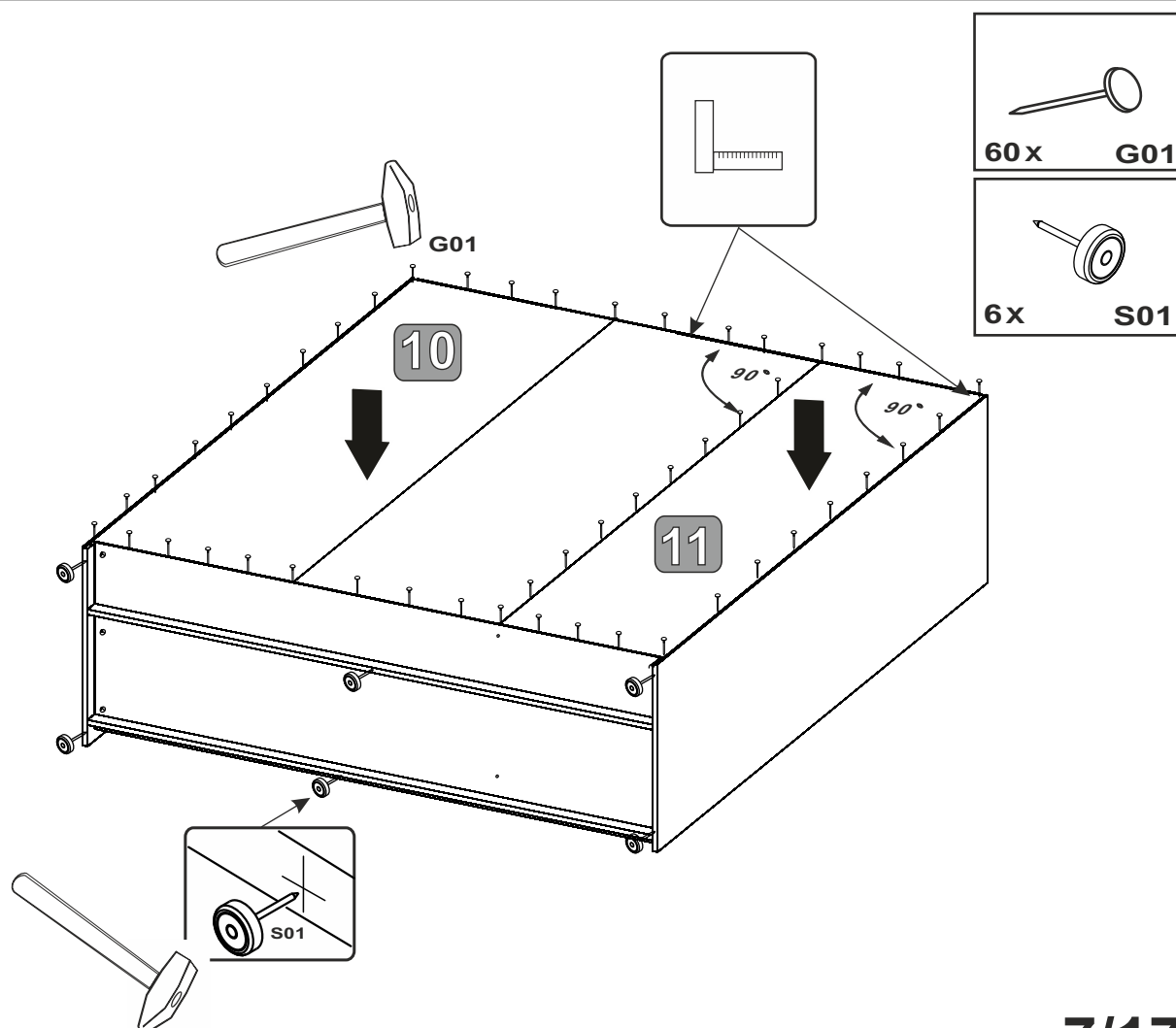
4



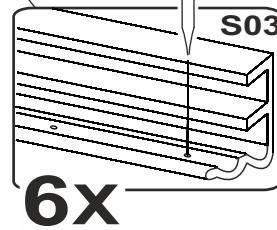
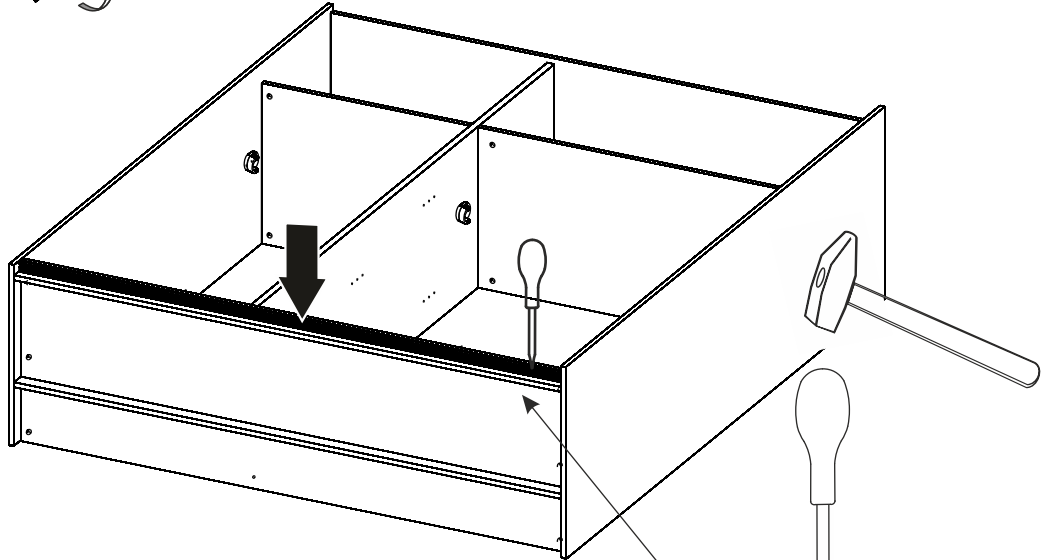
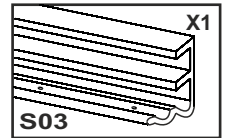
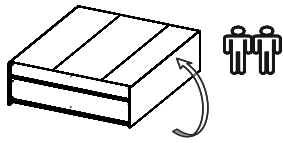
5



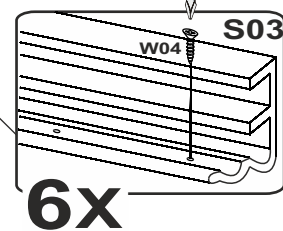
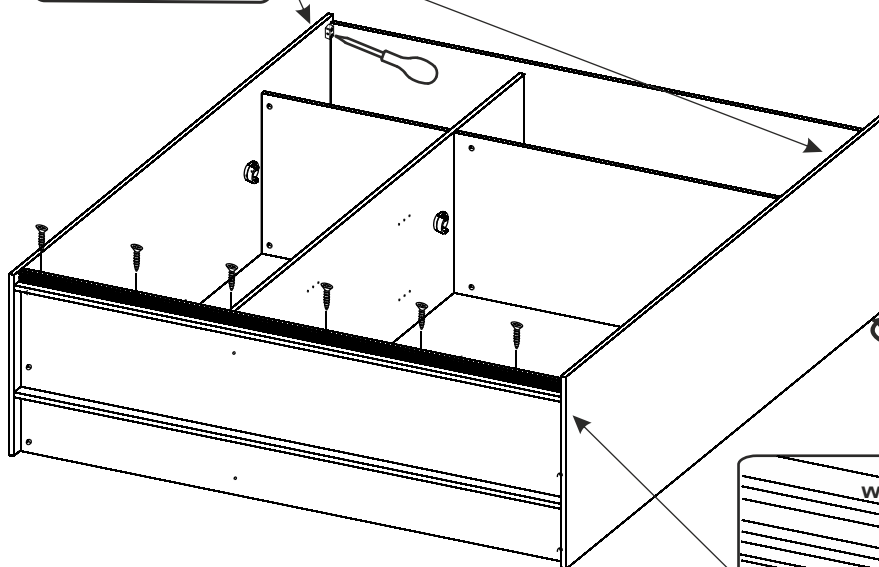
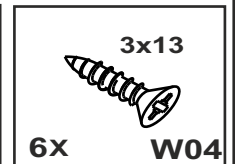
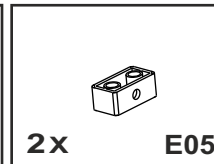
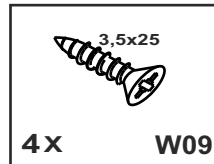
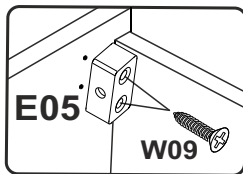
6



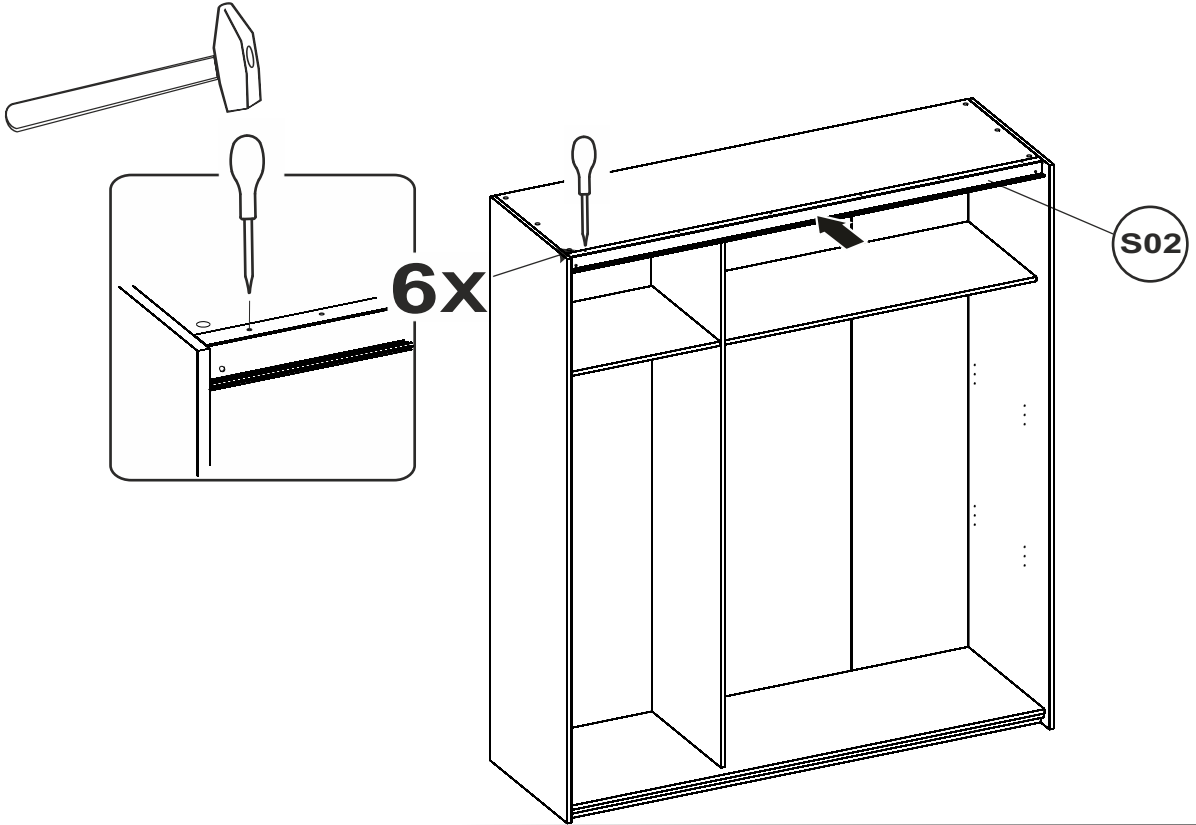
7



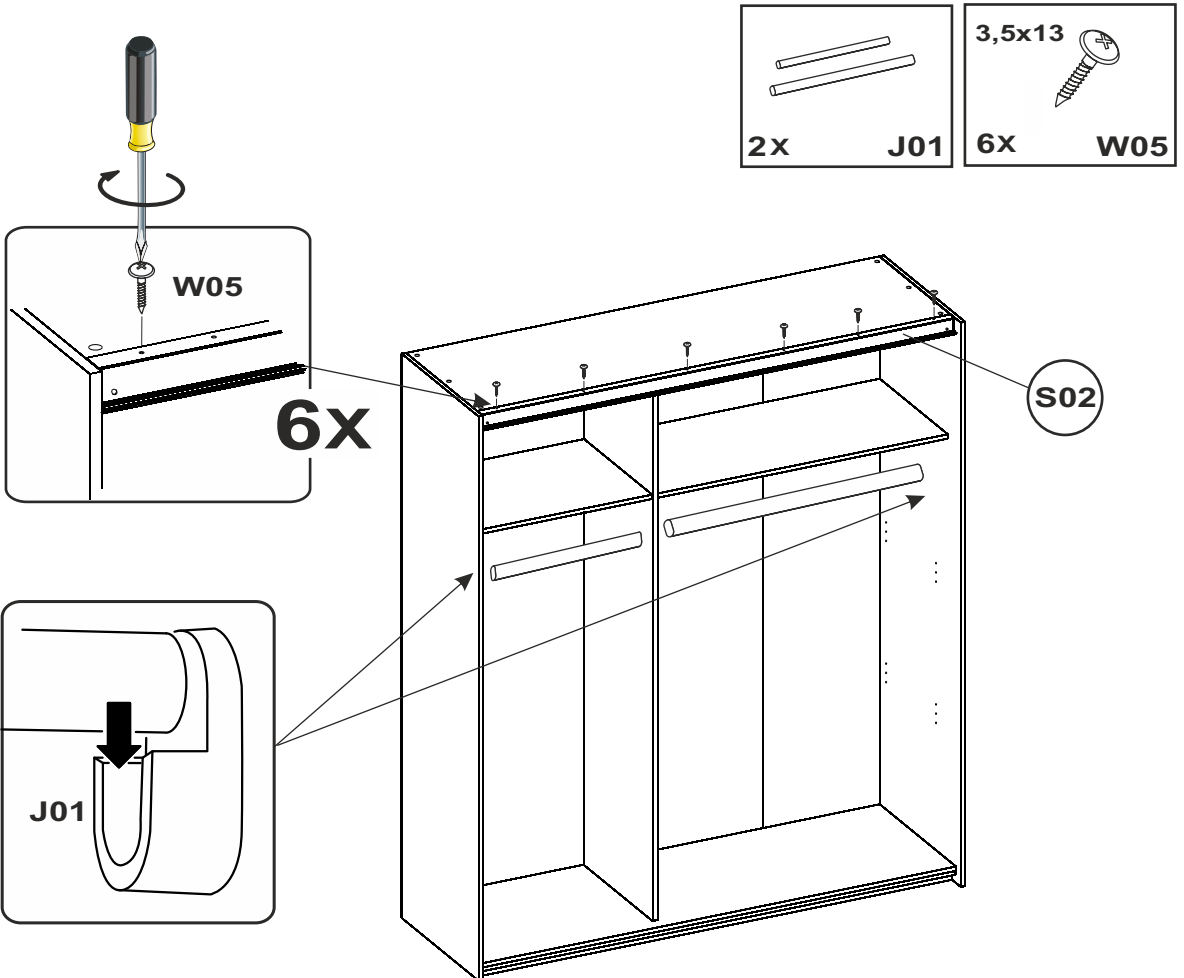
8



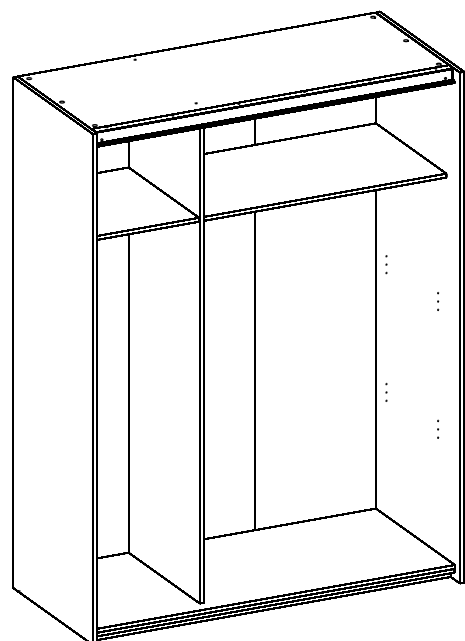
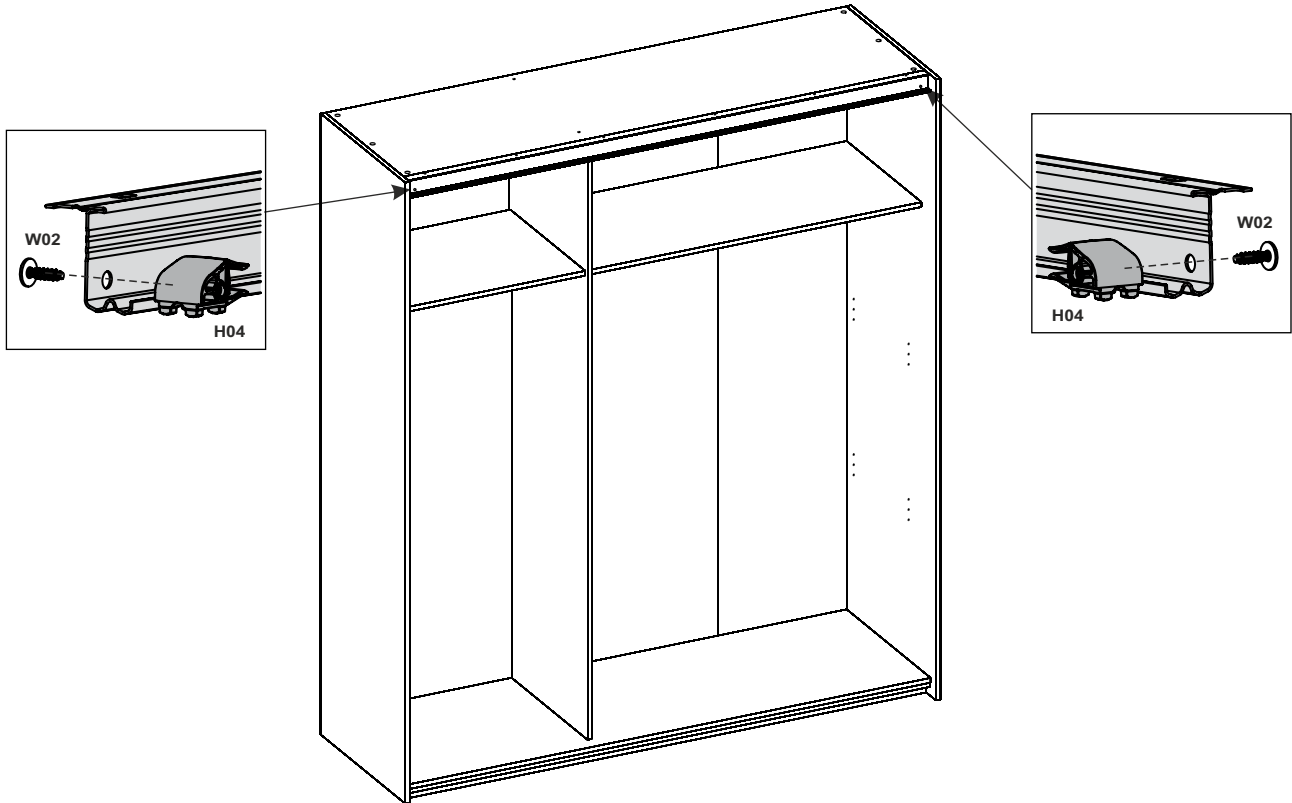
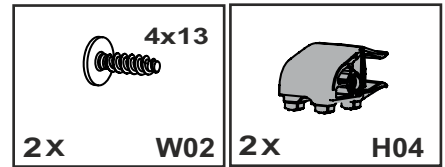
9



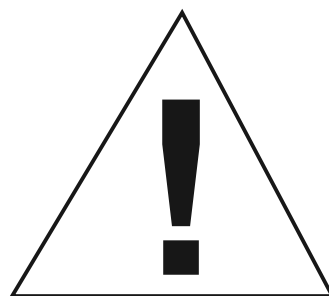
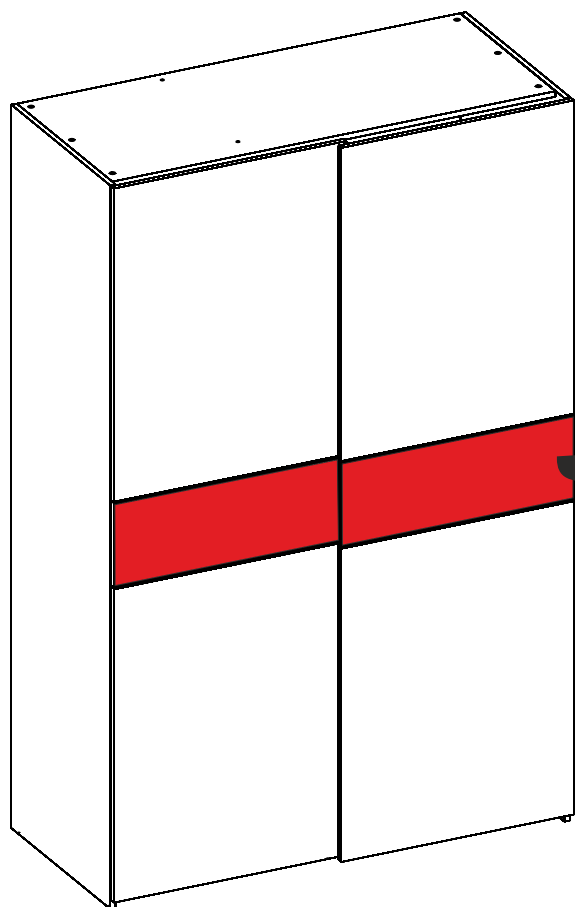
10



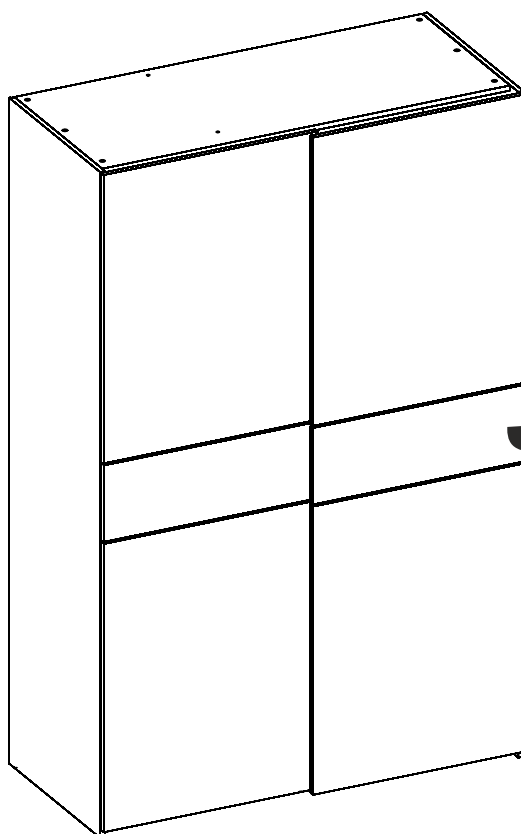
11



A



B

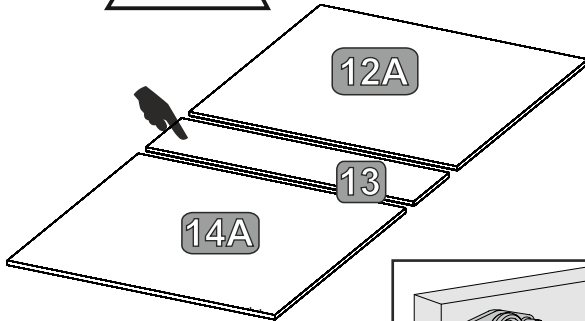


12

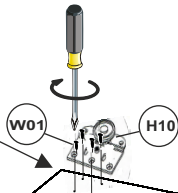
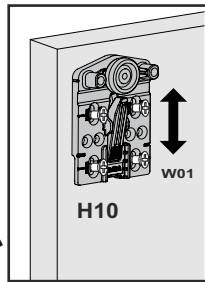
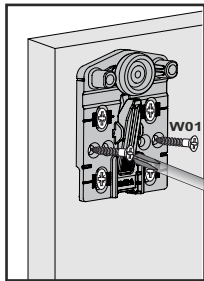
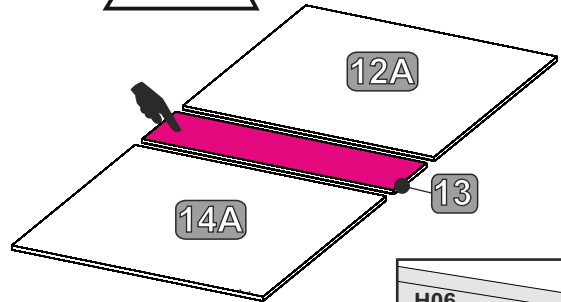
- 4x W08
- 2x H08
- 1x H10
- 1x H06
- 3,5x13 W01



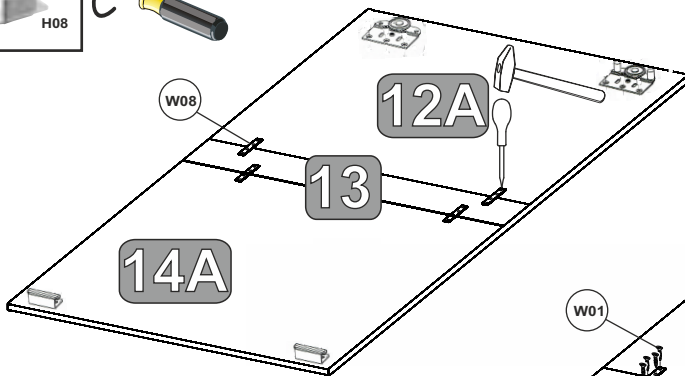
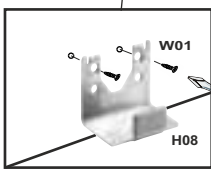
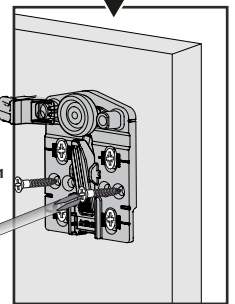
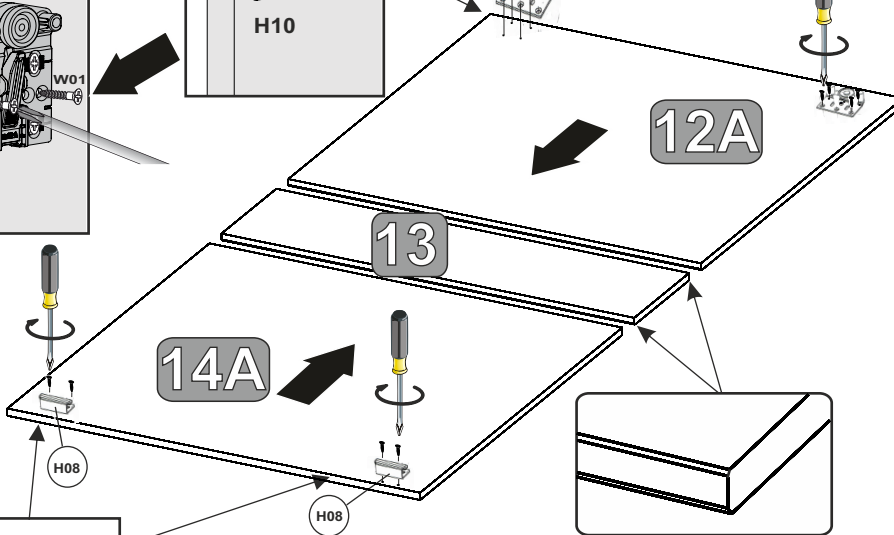
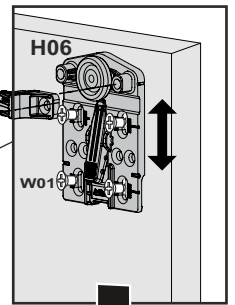
A



B



12A



W01

12A

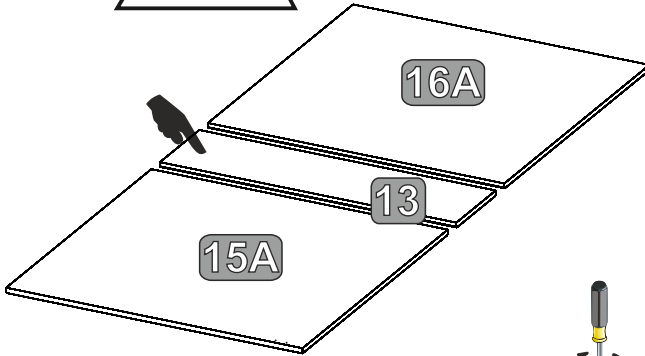
13

14A

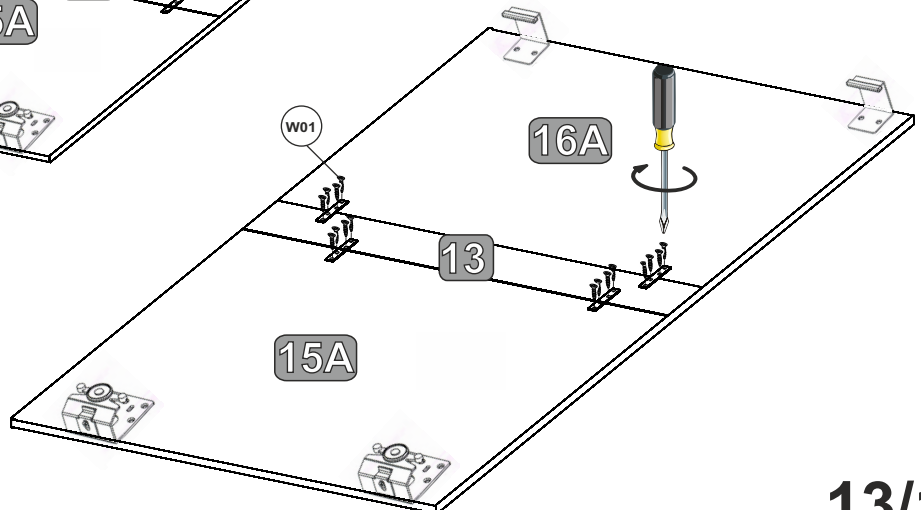
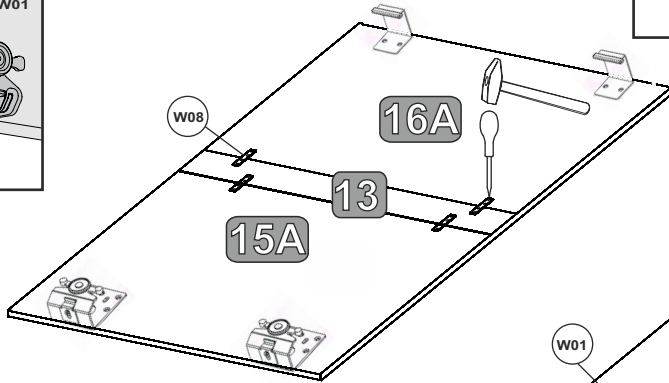
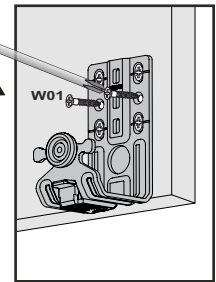
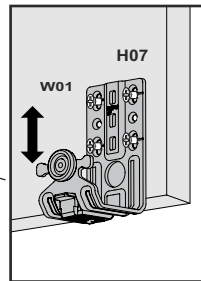
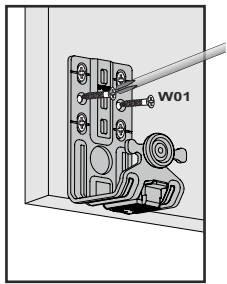
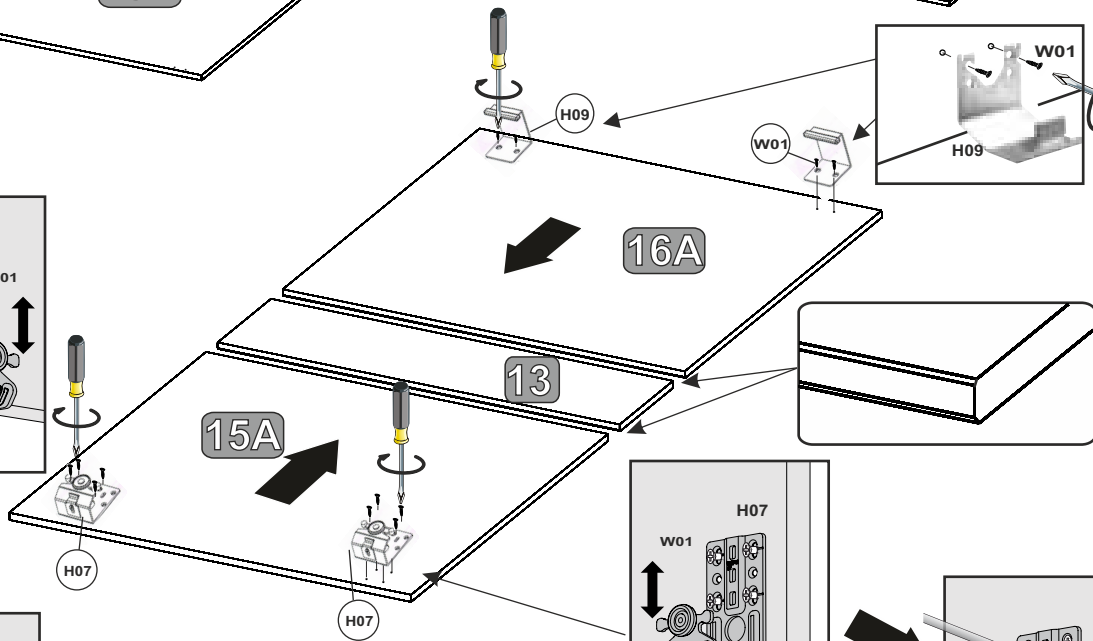
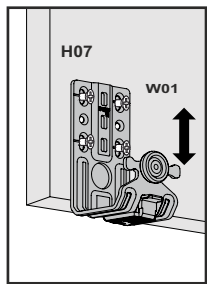
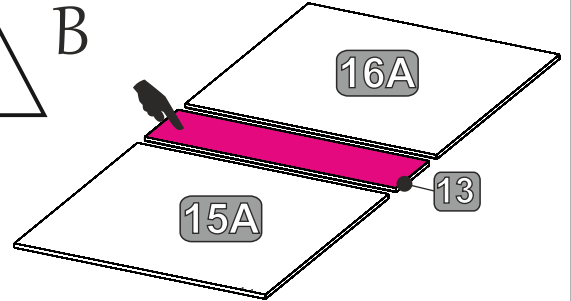
13



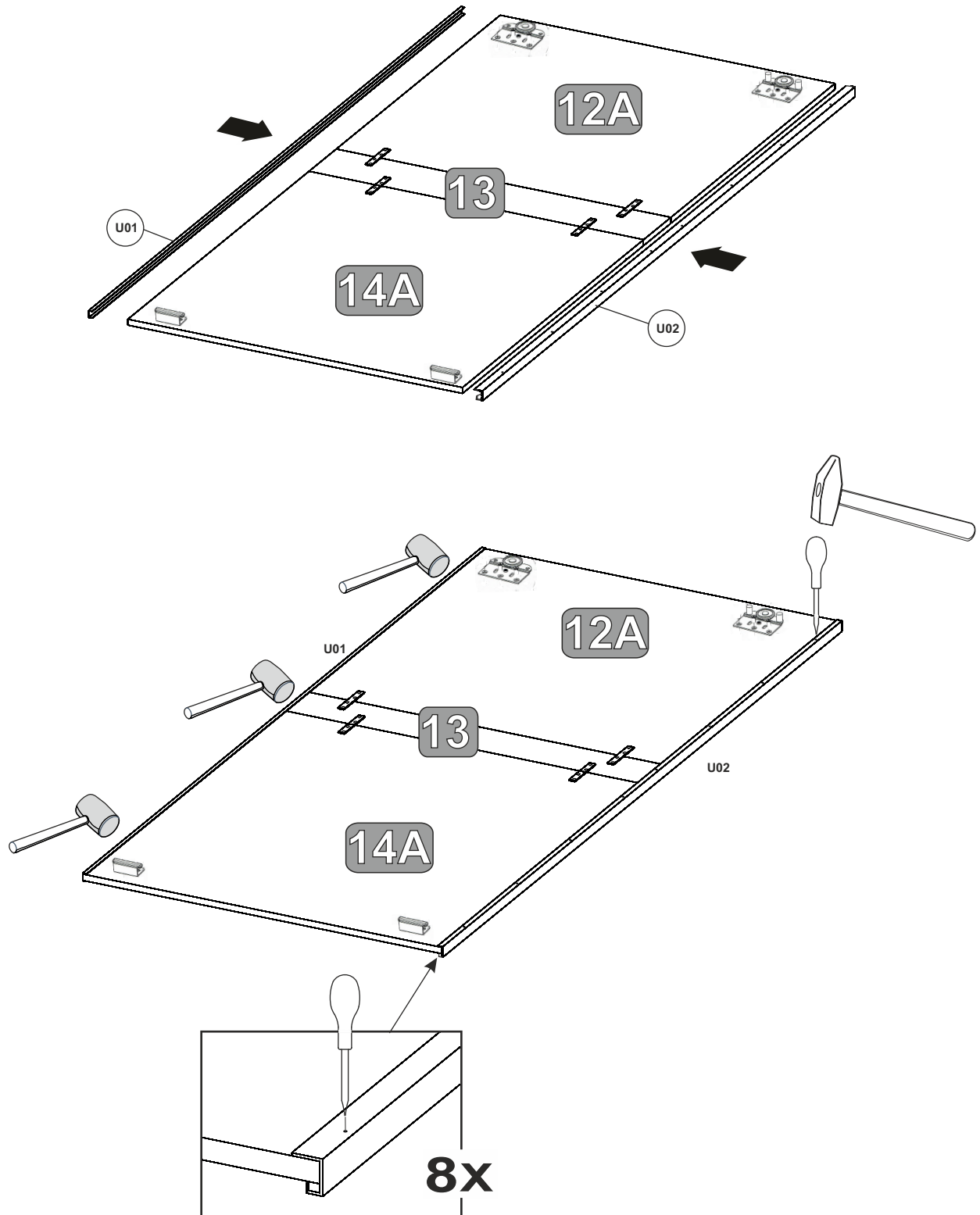
A



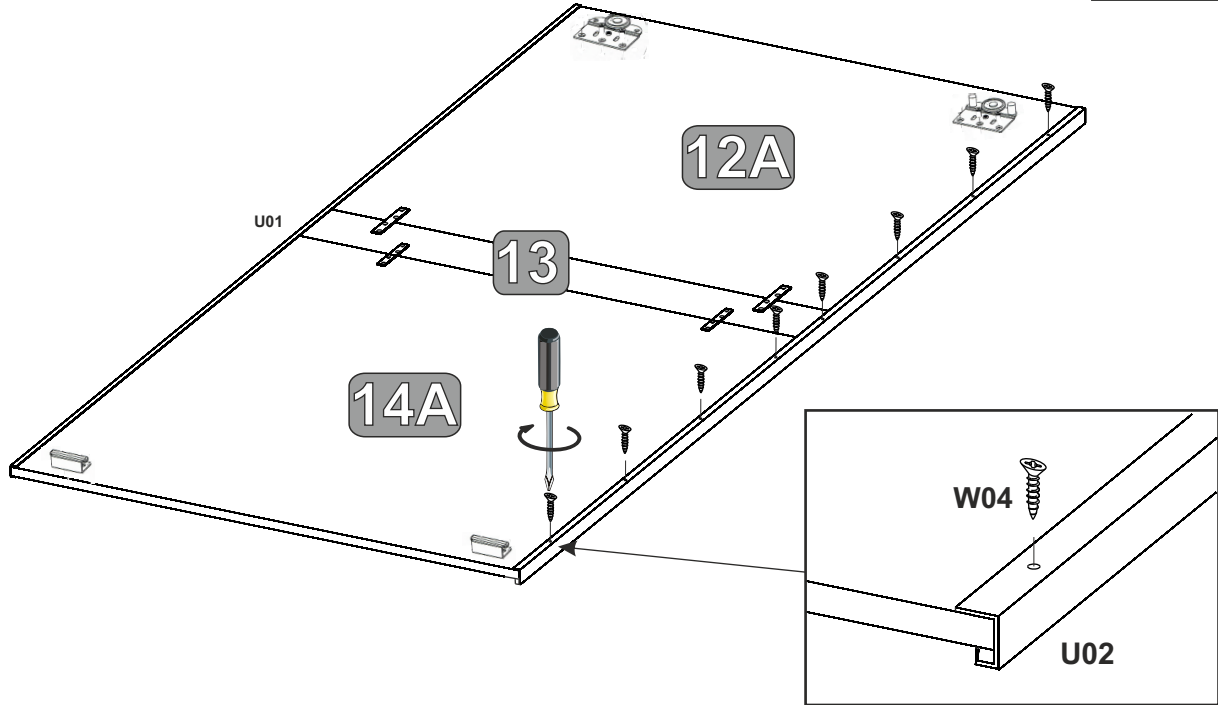
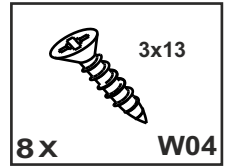
B



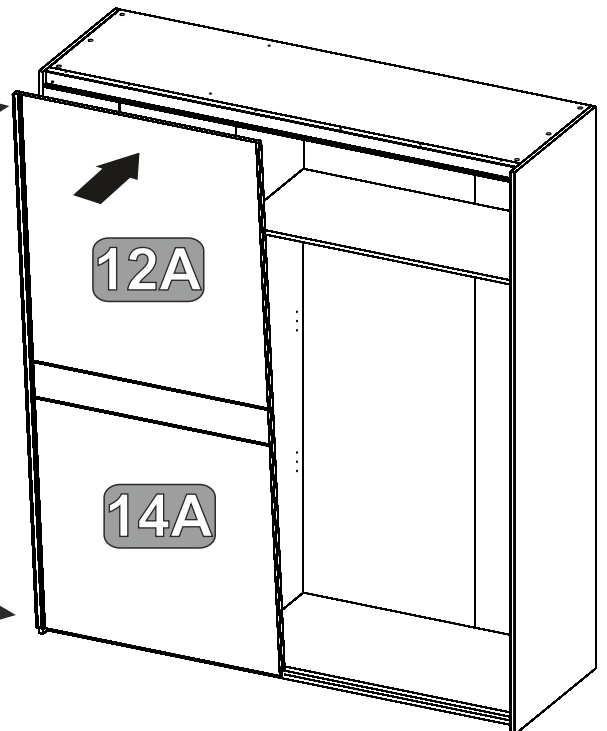
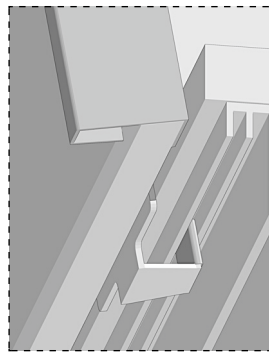
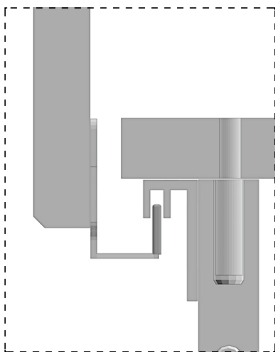
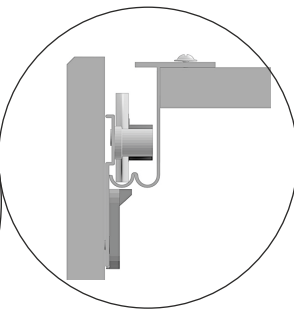
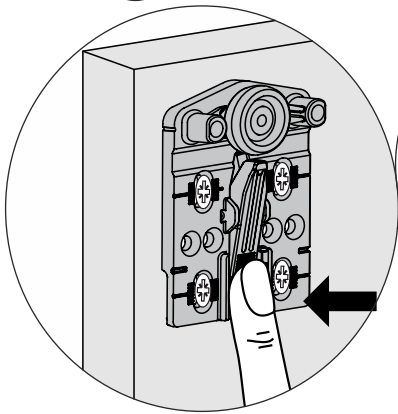
14



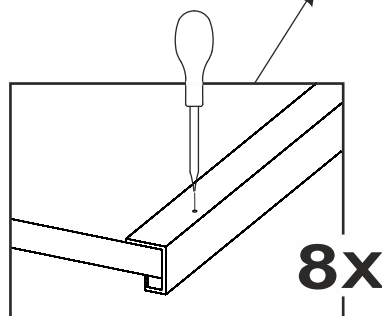
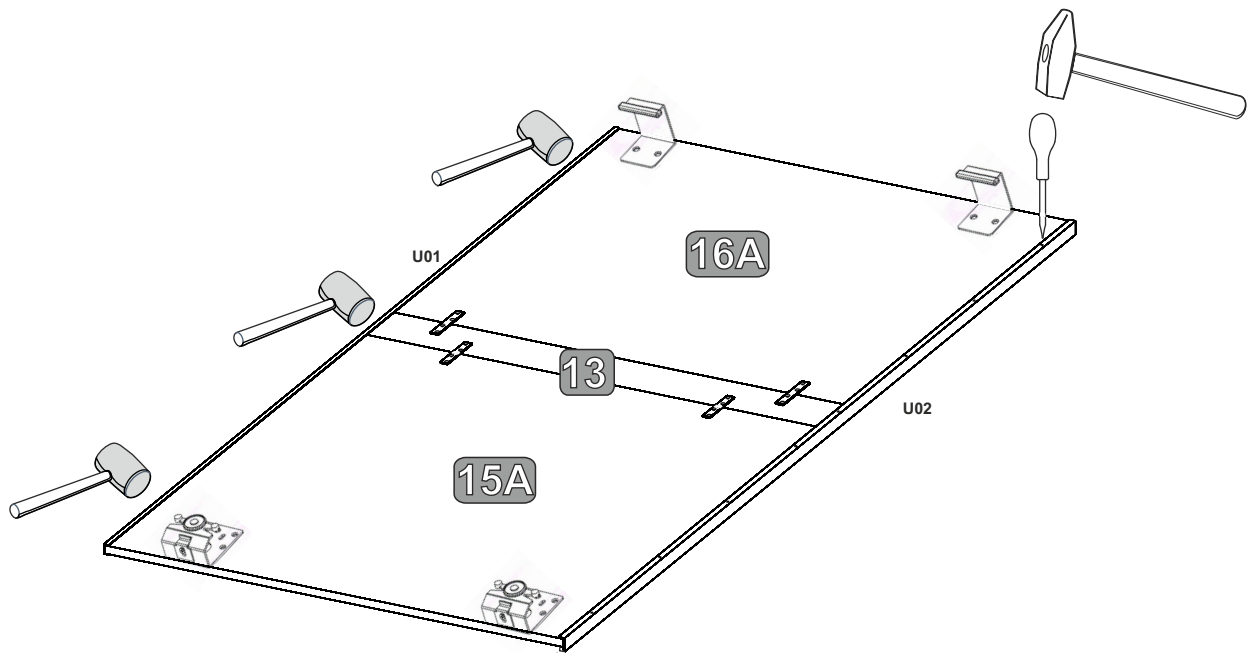
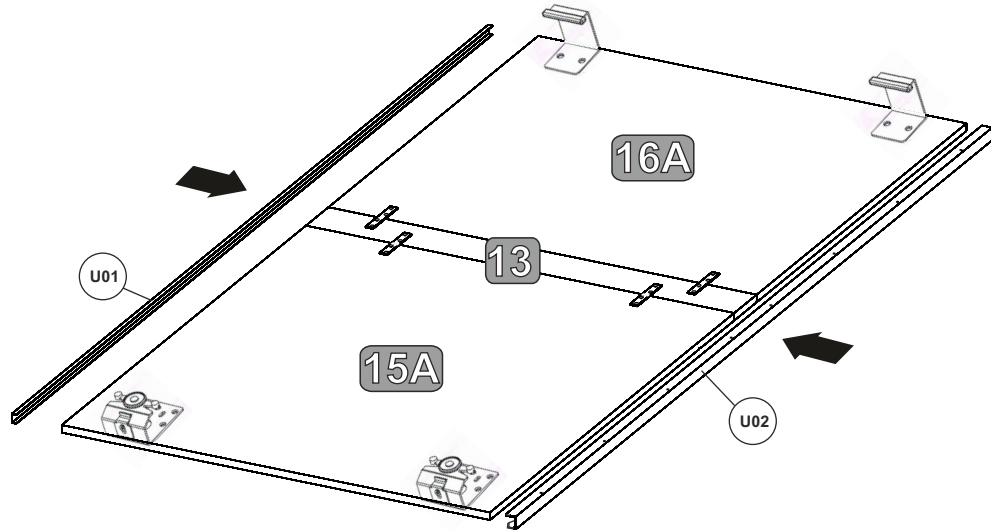
15



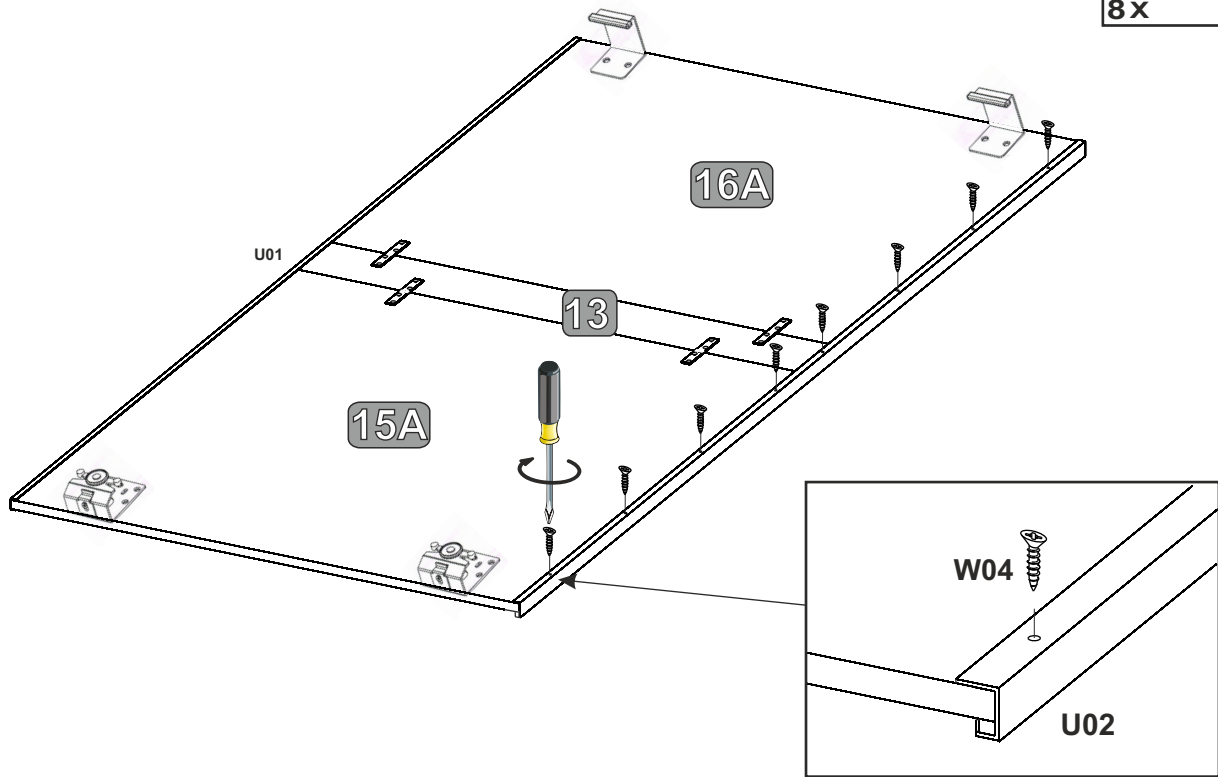
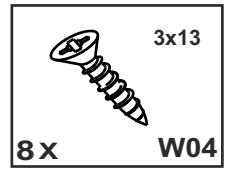
16



17



18



19

