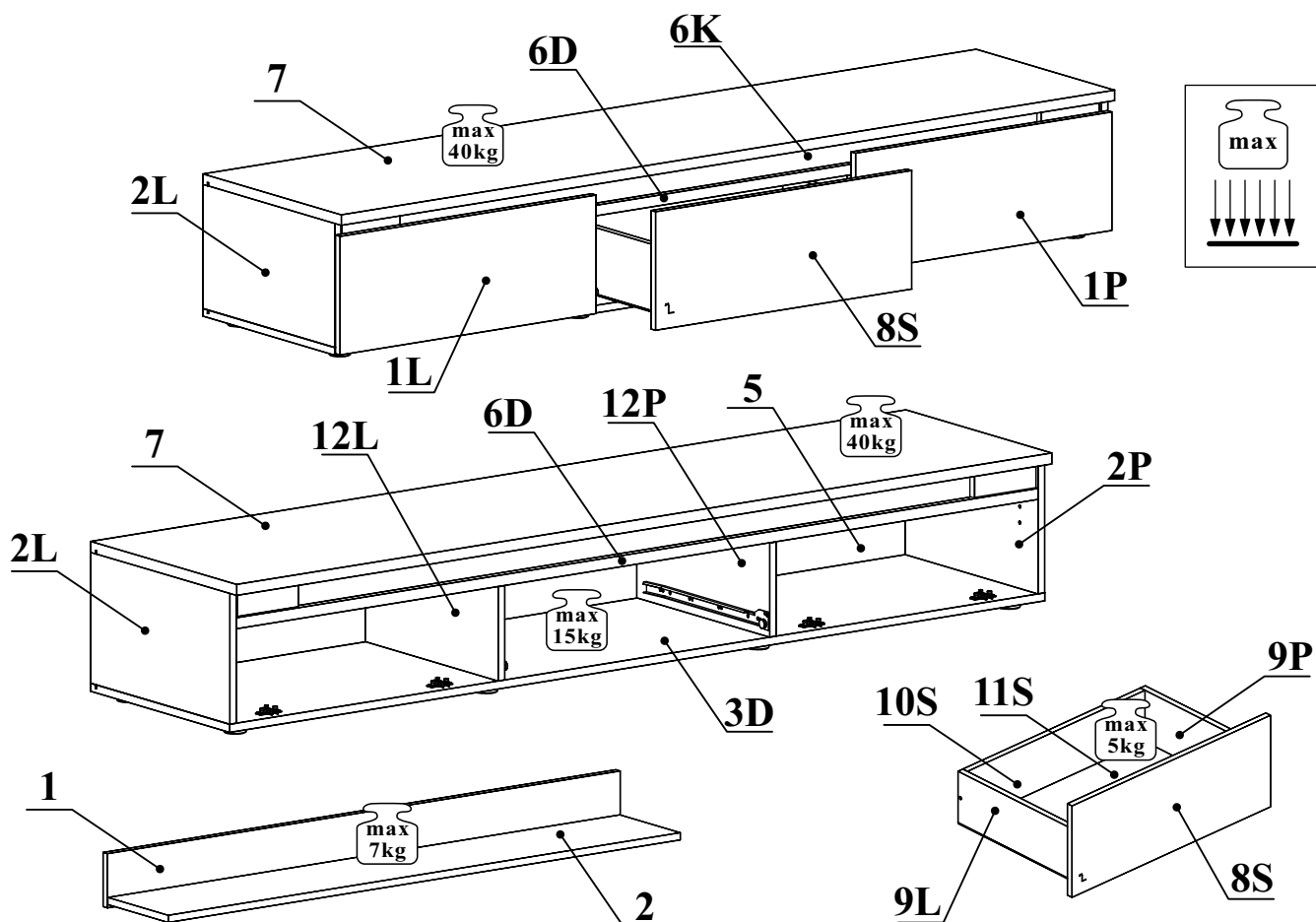
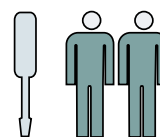
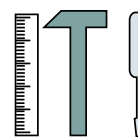


# SCANDAL TYP-33 89-941-\_\_



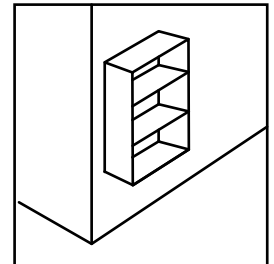
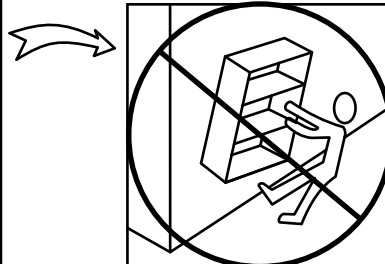
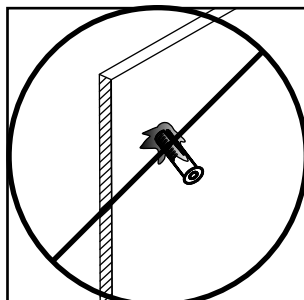
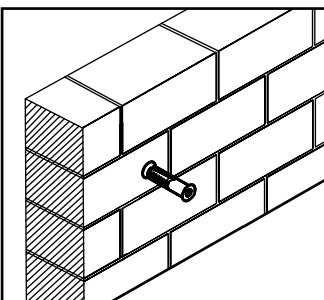
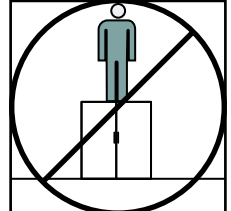
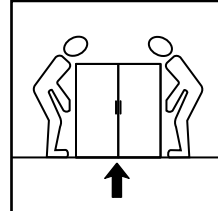
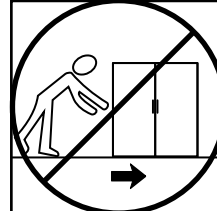
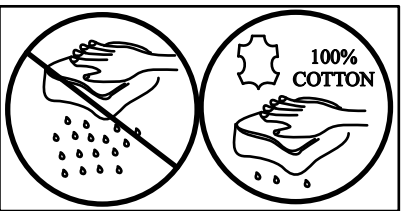
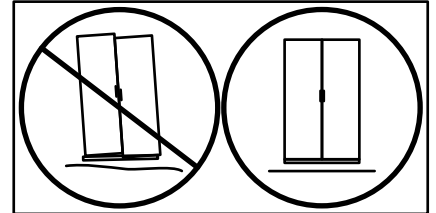
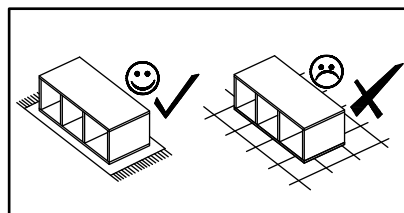
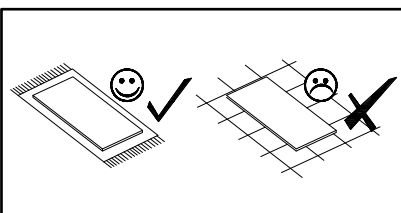
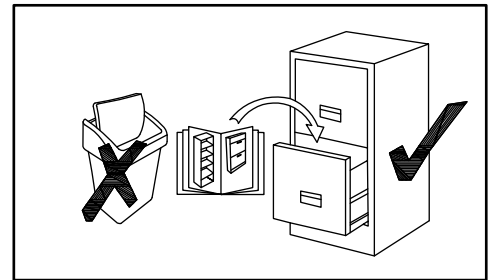
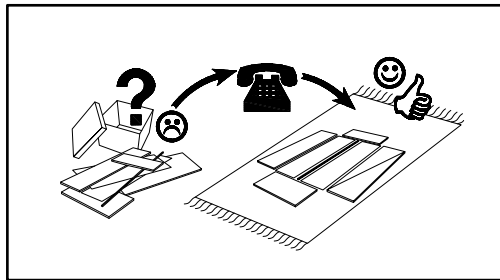
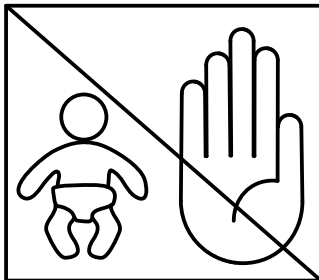
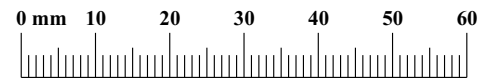
NO	Dim.		Col.-No	Qty
1L	656	250	1	1
1P	656	250	1	1
2L	262	457	1	1
2P	262	457	1	1
12L	262	437	1	1
12P	262	437	1	1
3D	1981	457	2	1
5	273	1960	2	1
6K	1948	51	1	1
6D	1948	40	2	1
7	1981	480	2	1
8S	656	250	1	1
9L	400	140	1	1
9P	400	140	1	1
10S	587	140	1	1
11S	618	403	1	1
1	1380	120	2	1
2	1378	220	2	1



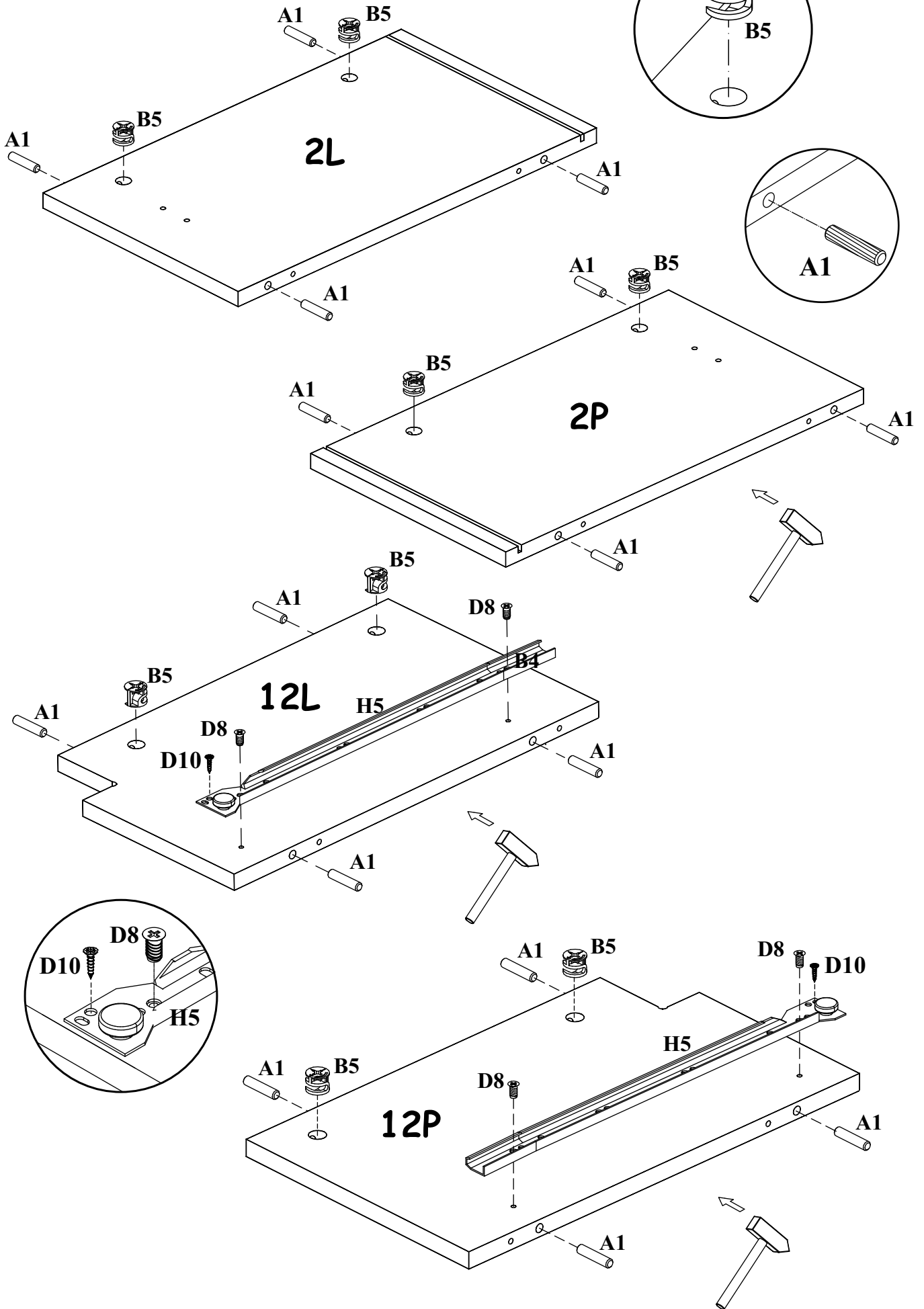
60 min

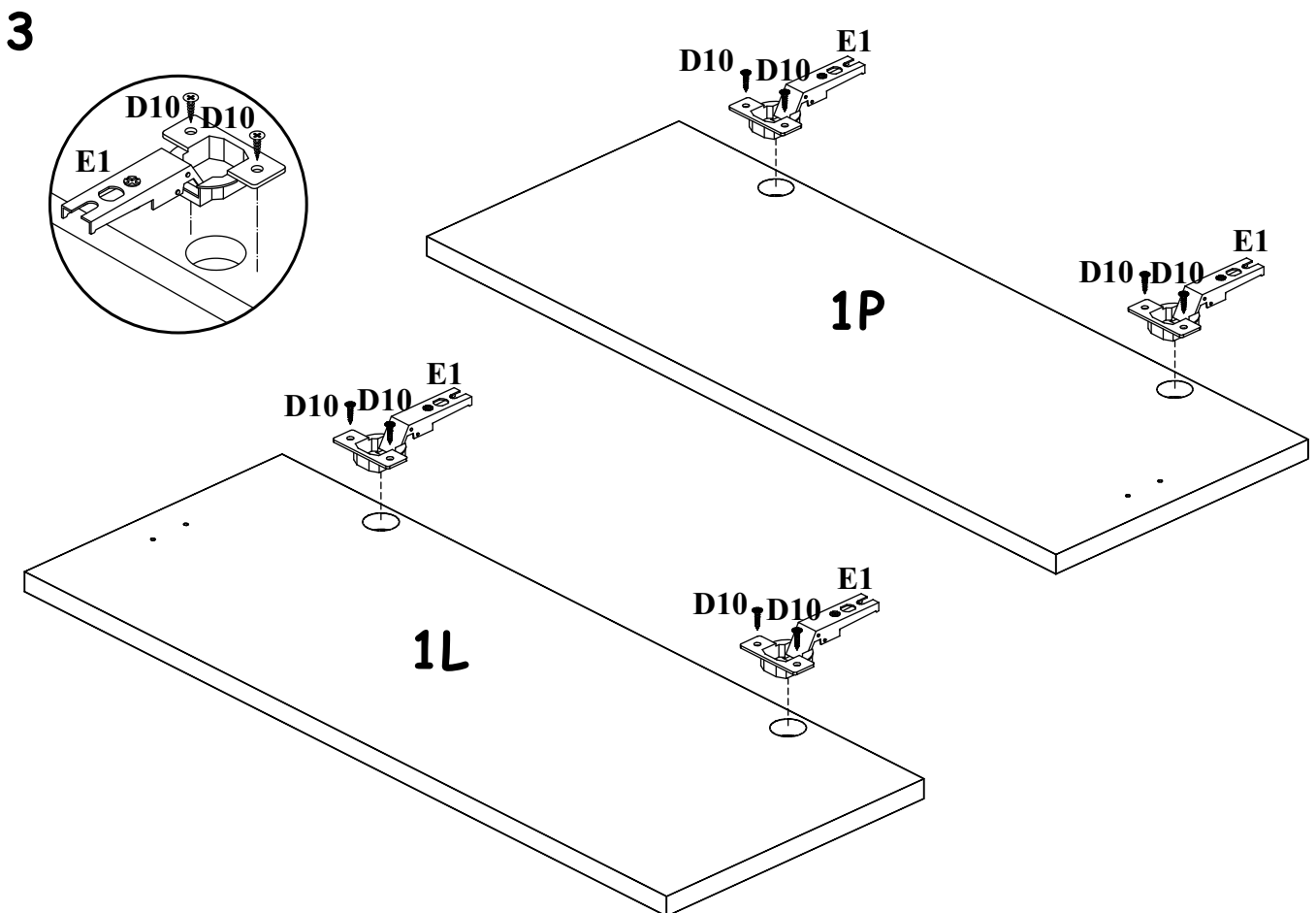
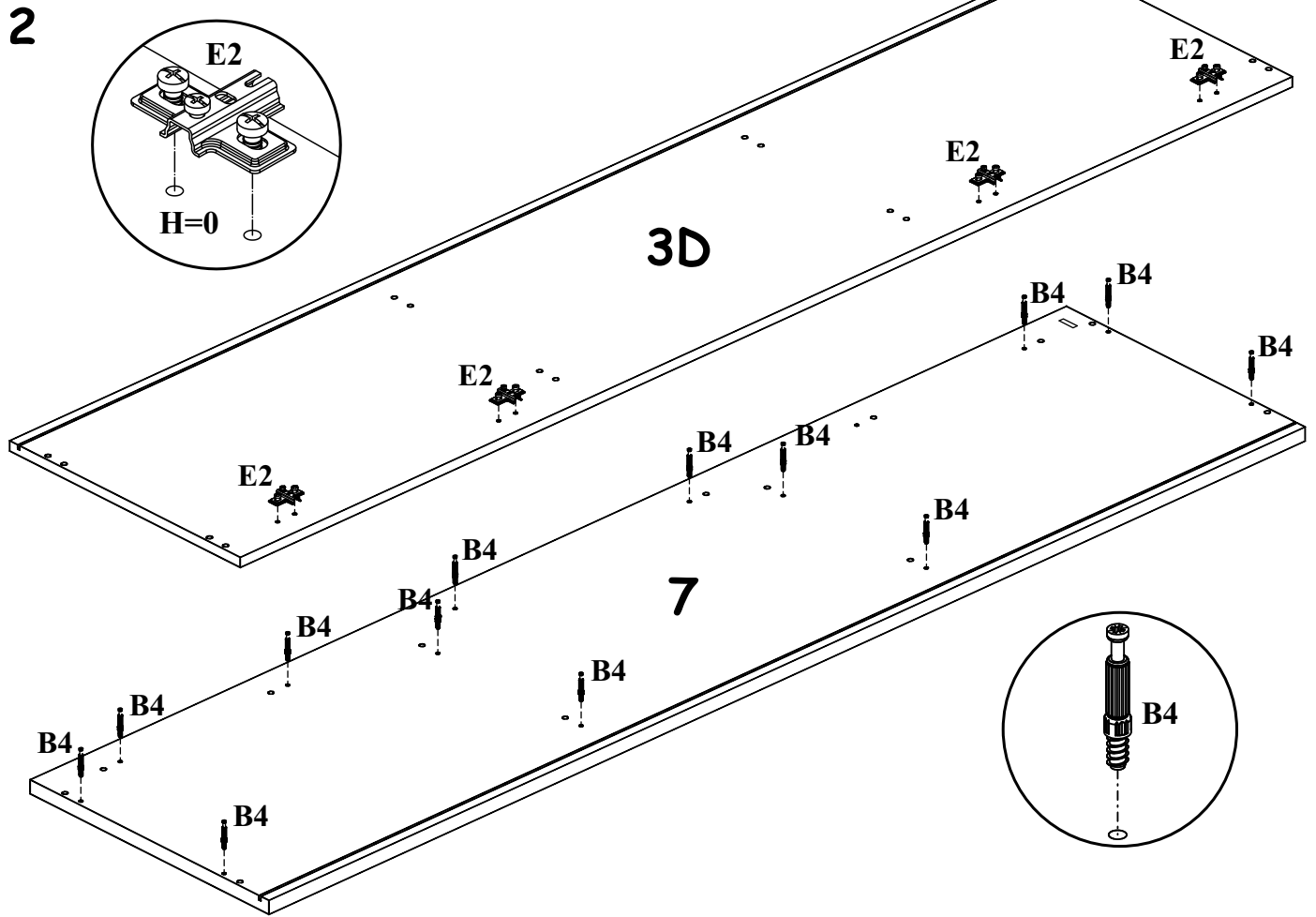
SCANDAL TYP-33  
89-941-\_\_

A1 X34 ø8x36	B11 X21 Ø7x50	G4 X21	B4 X16	B5 X16 ø15x12	G5 X16
G21 X2	E1 X4 H=0	E2 X4 H=0	S1 X16	I11 X8	H5 X1 L-400mm.
D7 X6 USØ3x16	D10 X16 USØ3,5x13	D30 X5 USØ3,5x16	G2 X1	D11 X8 USØ3,5x25	M01 X2
LED X2	B3 X10 Ø1,4x25	D8 X8 ESØ5x13	KR2 X2	ZM1 X2	UP13 X5 UPØ3x16

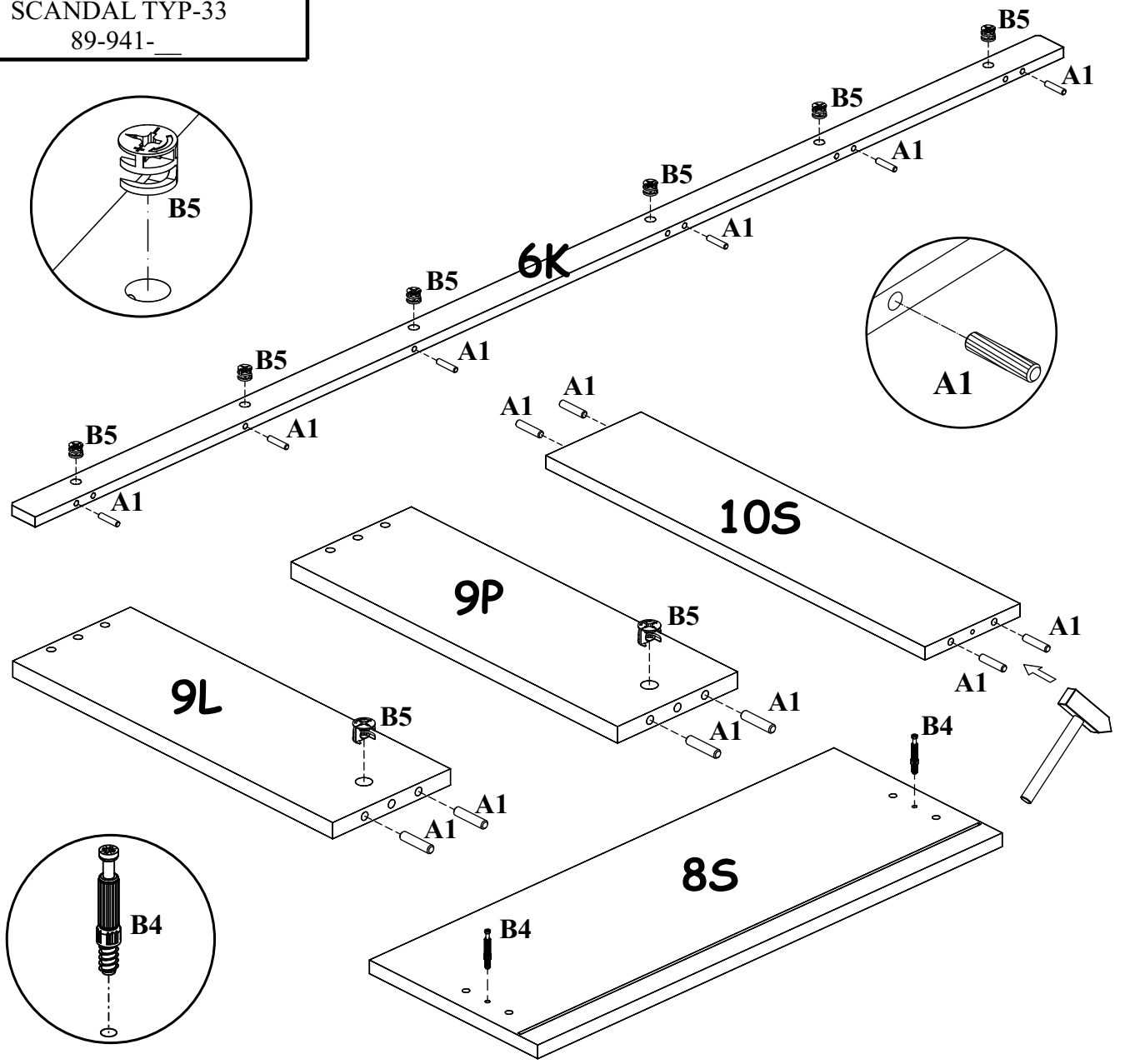


1

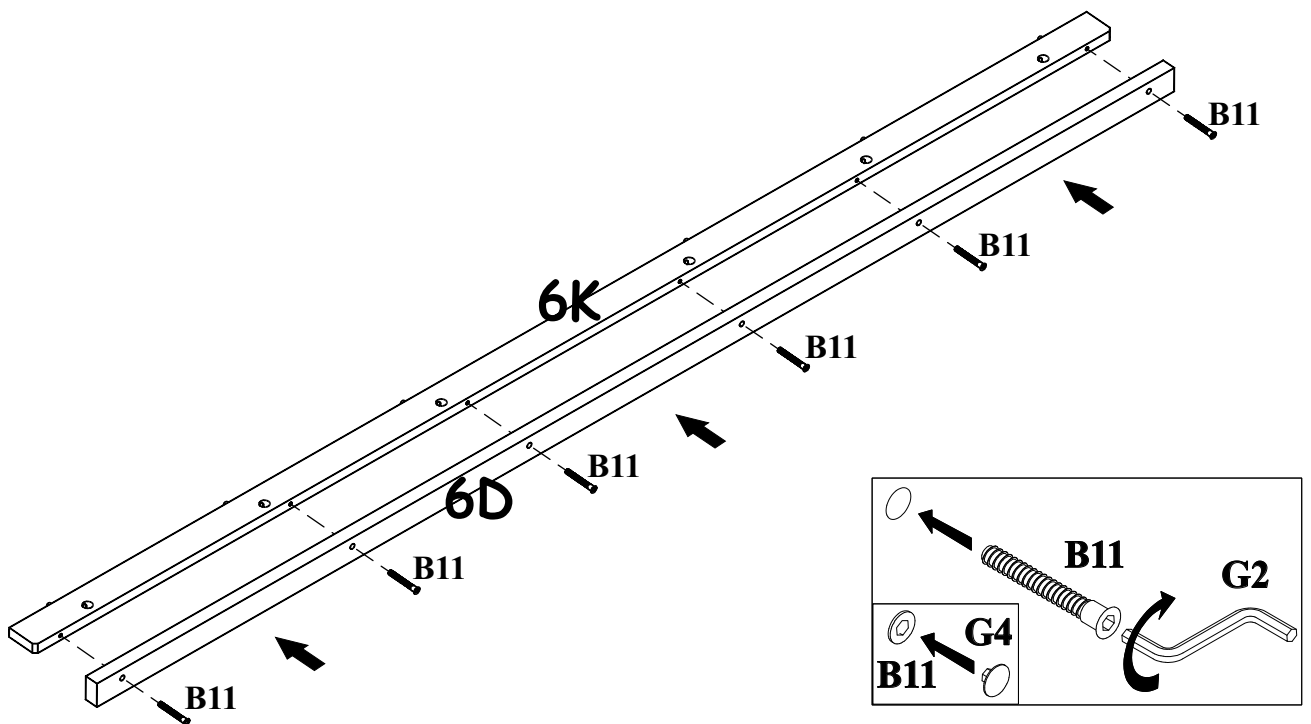




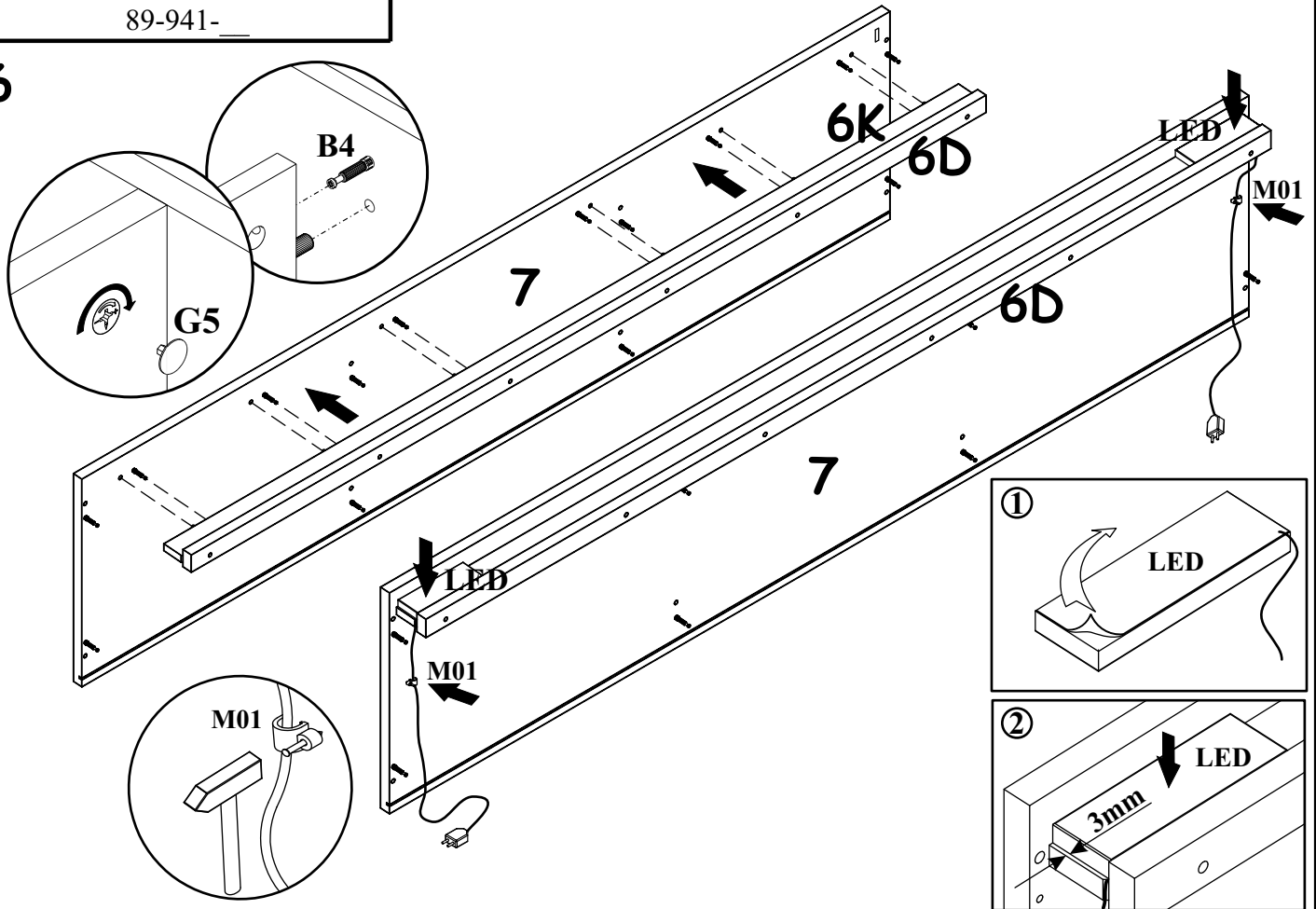
4



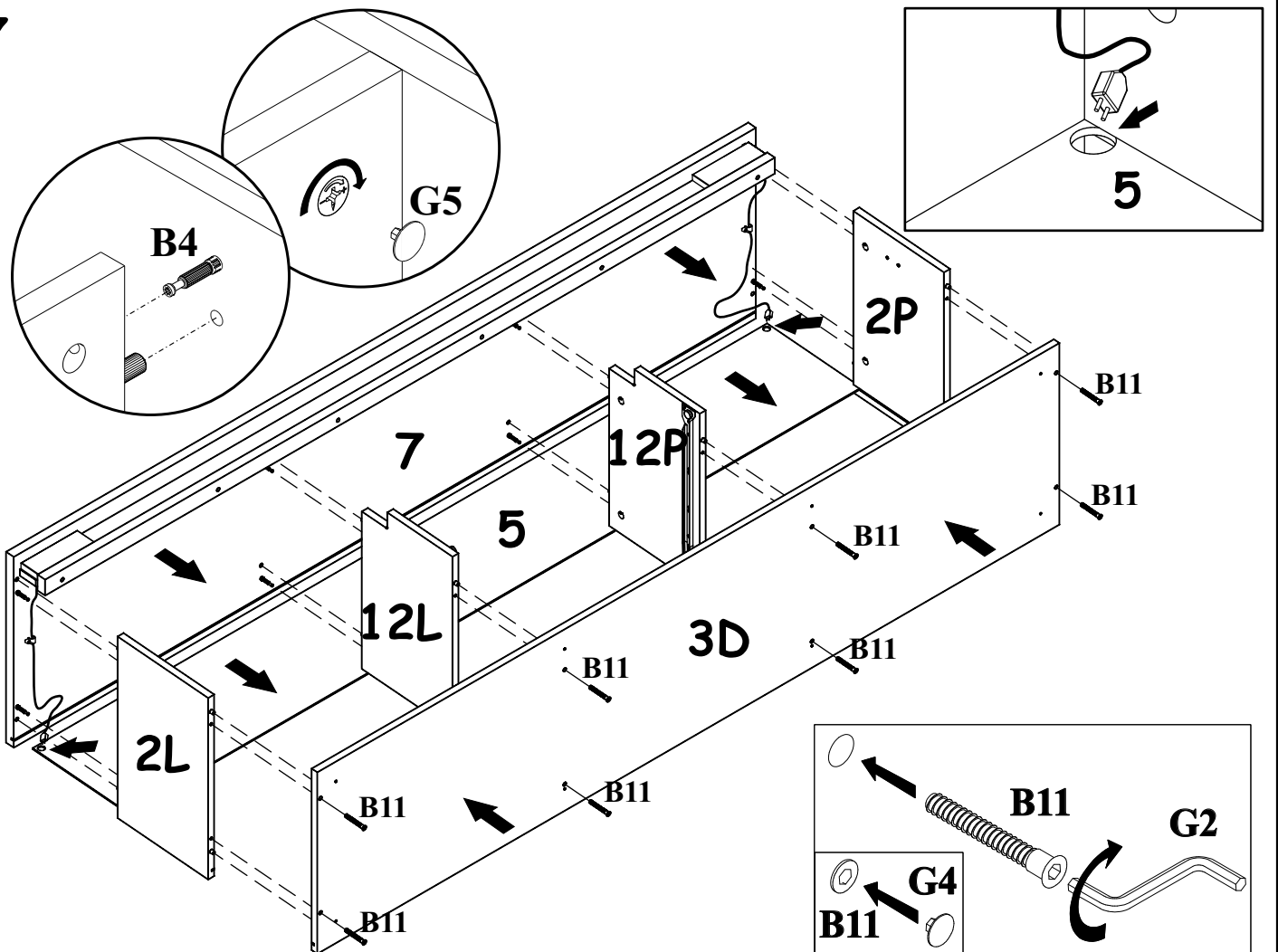
5



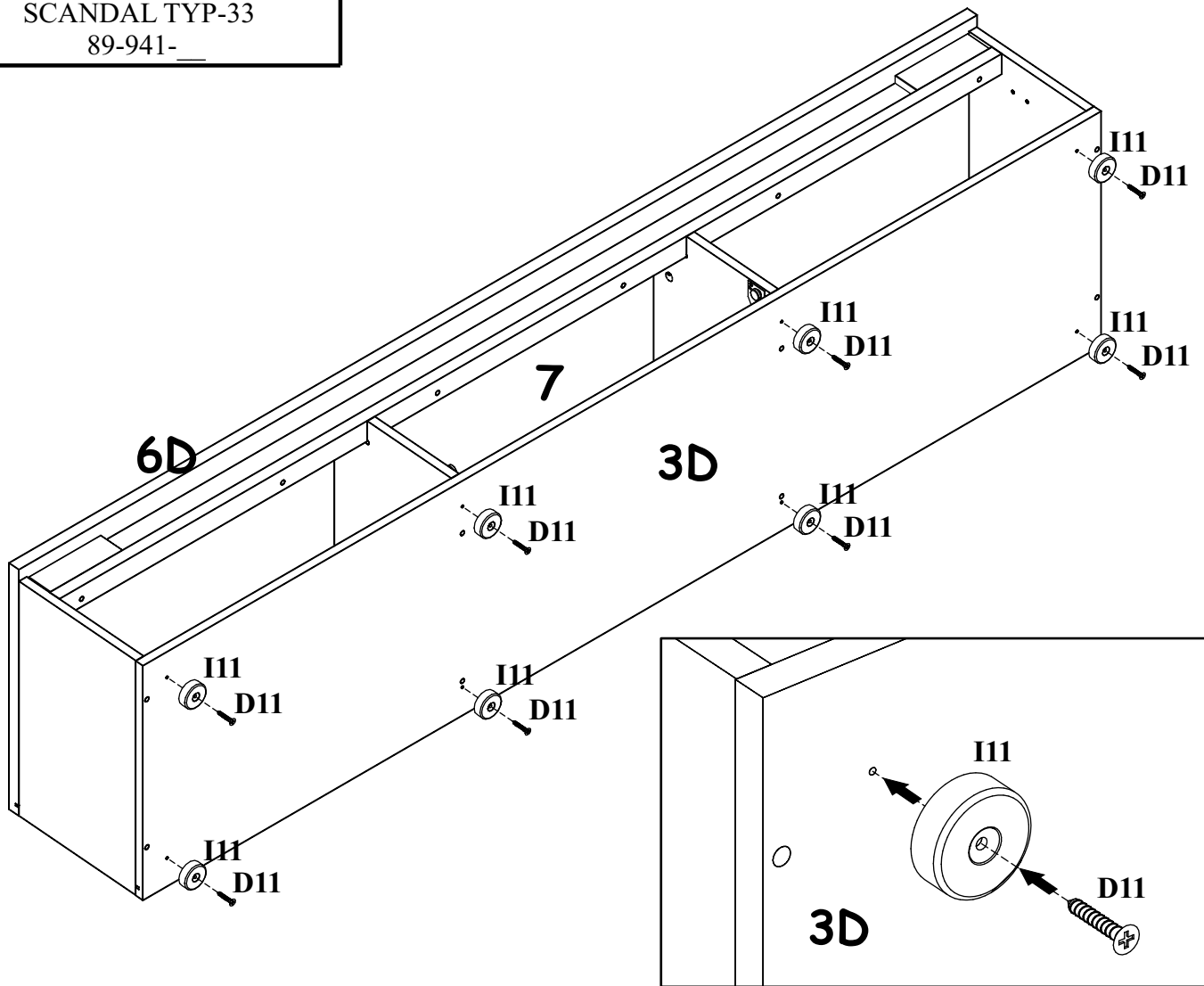
6



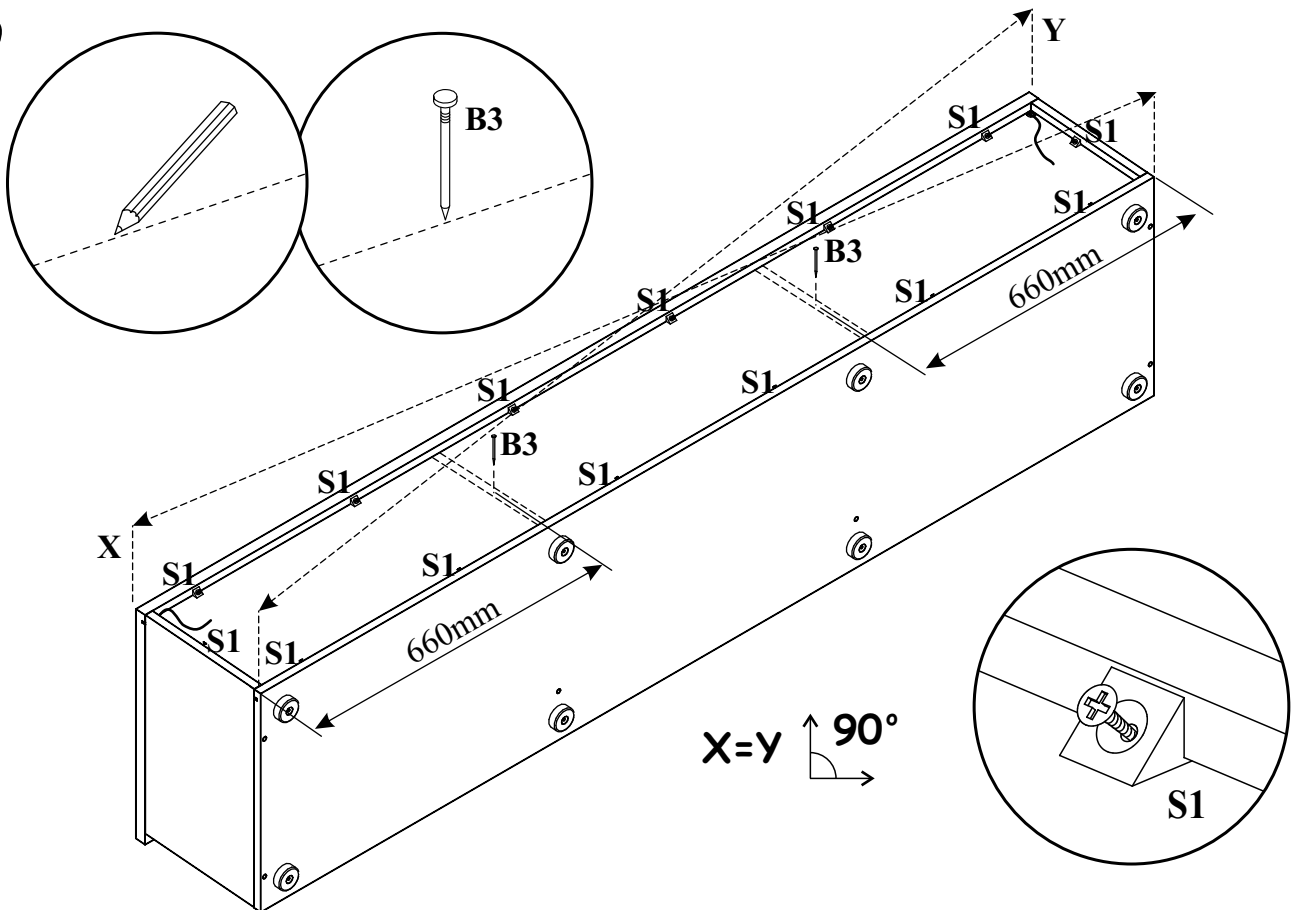
7



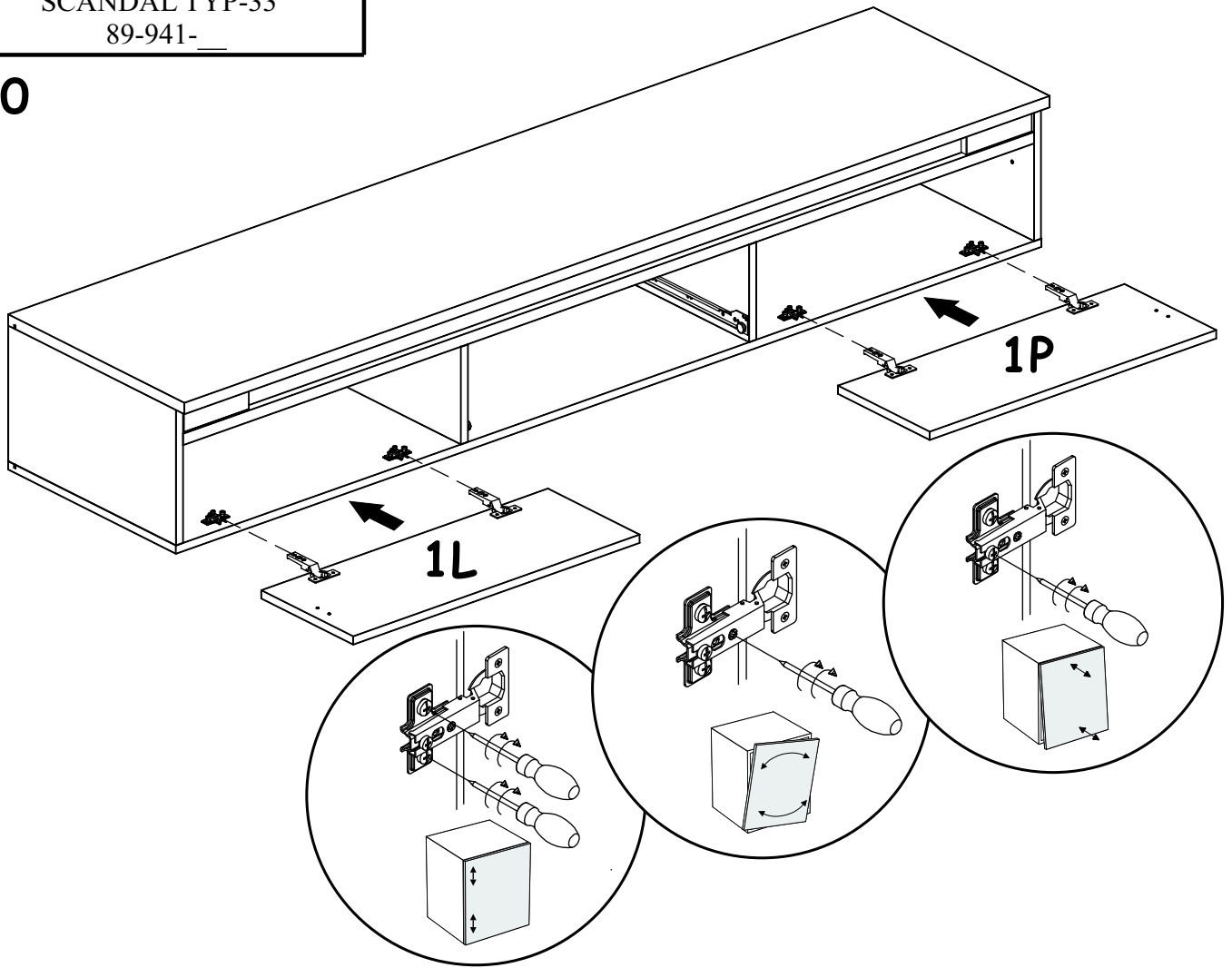
8



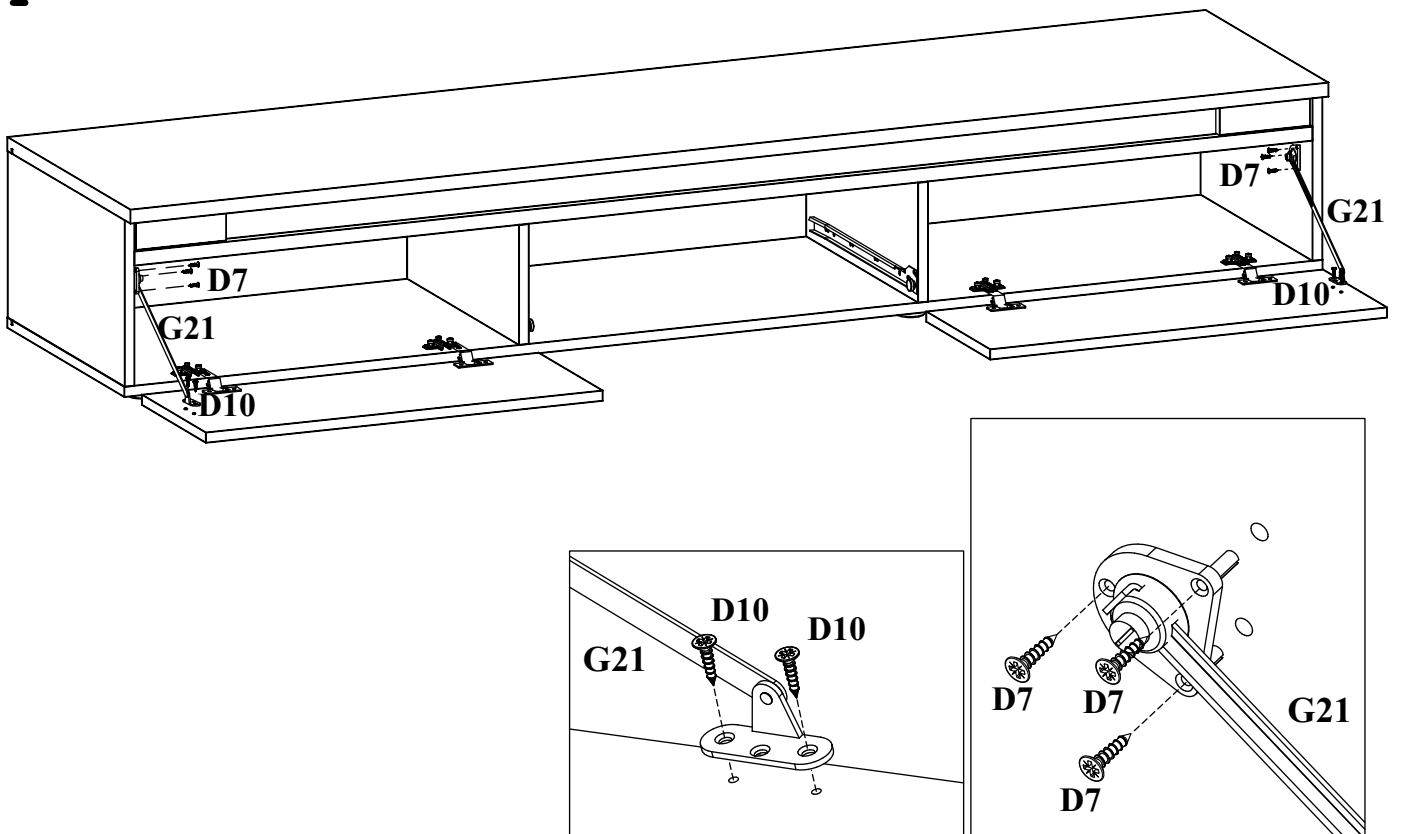
9



10

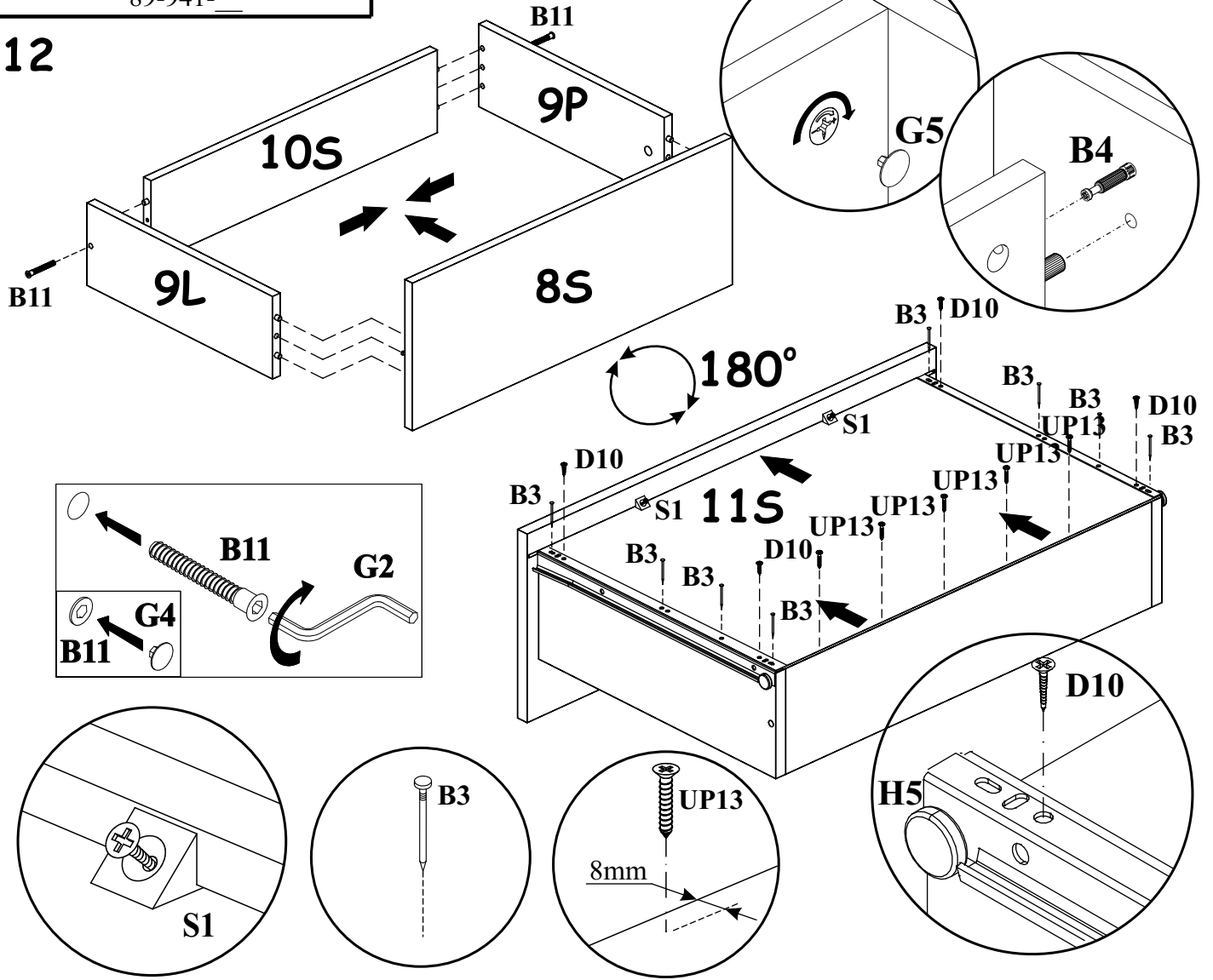


11

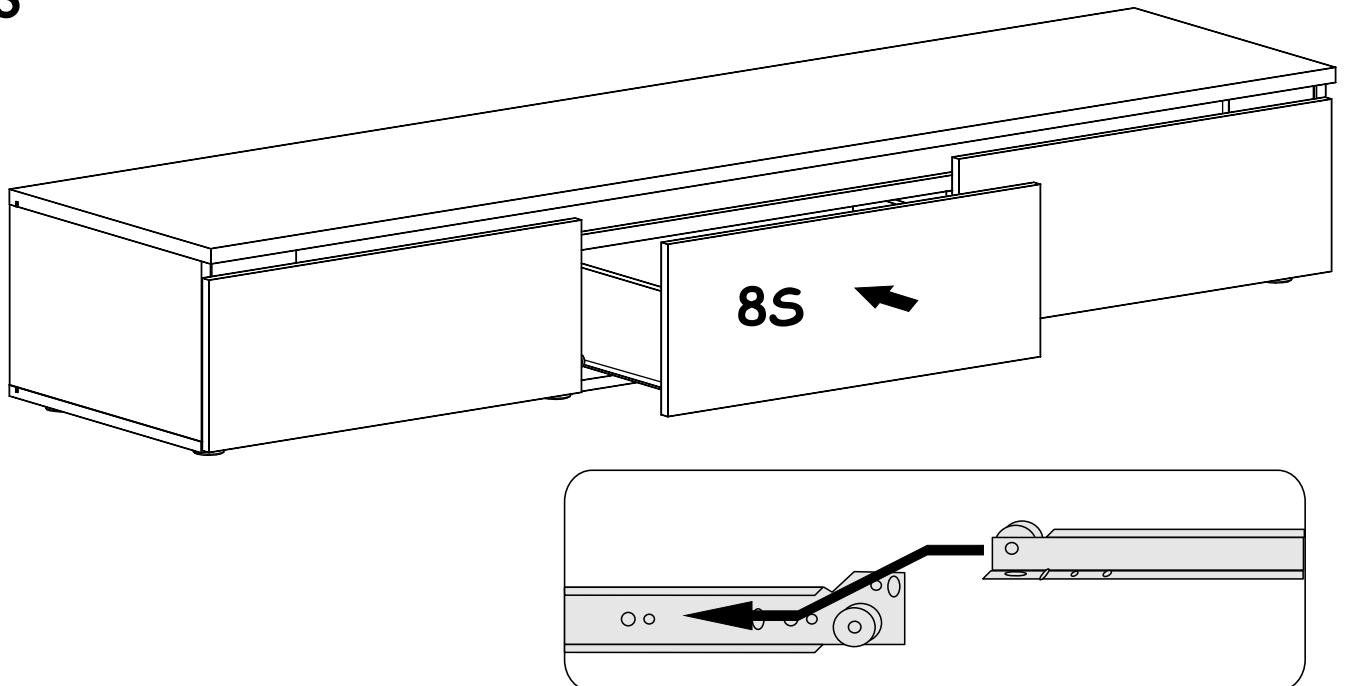




12



13



14

