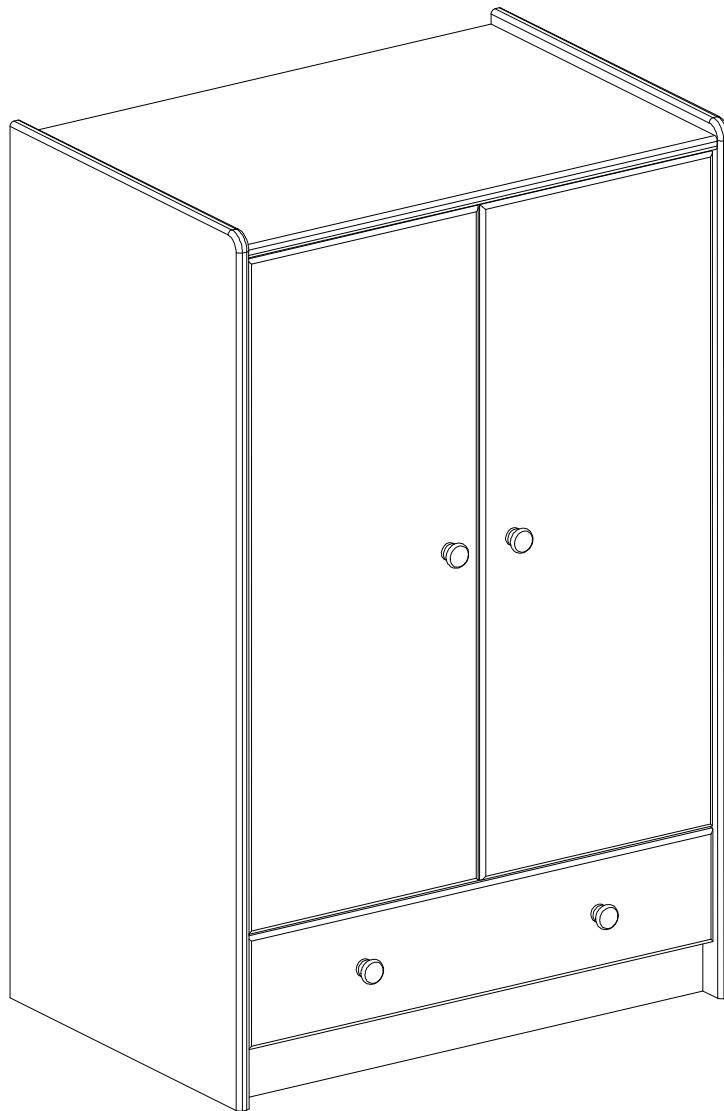
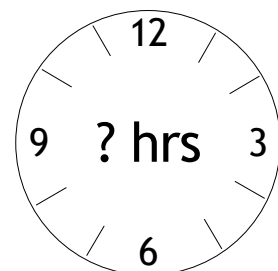
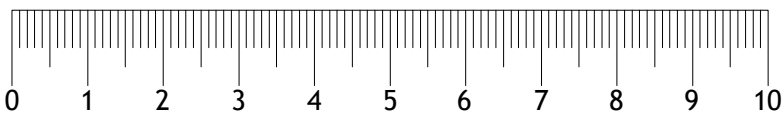
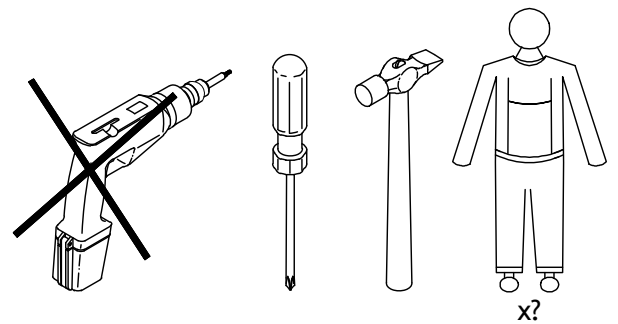
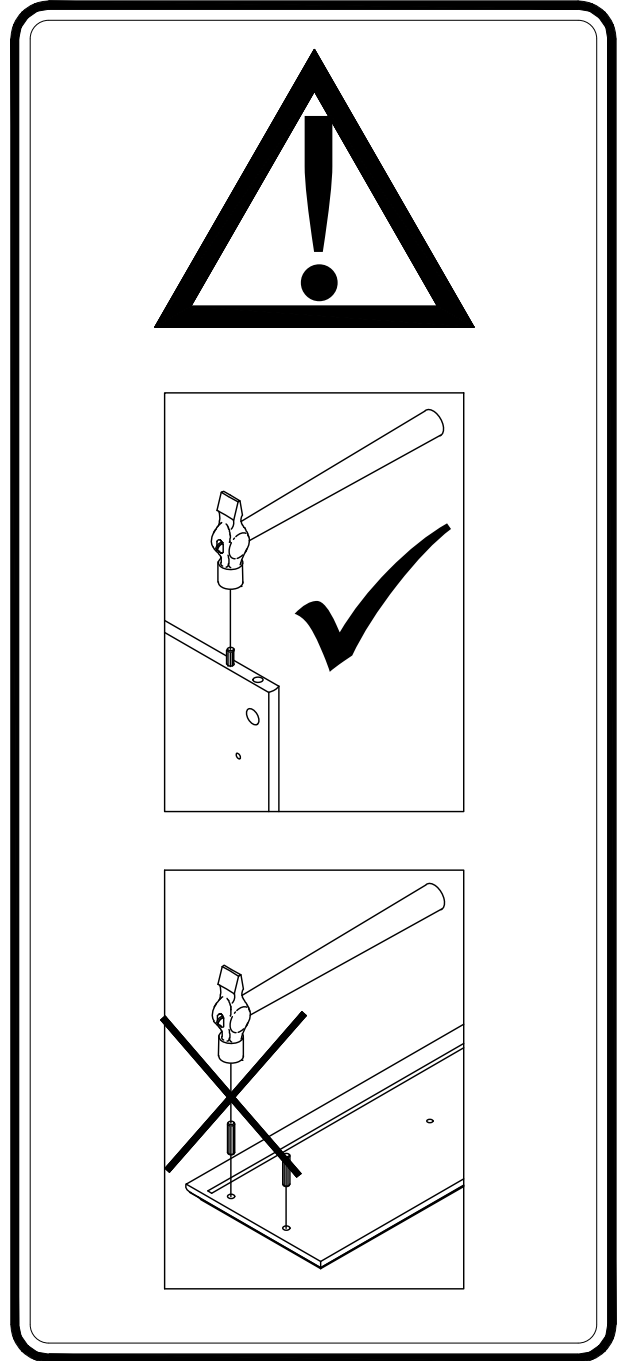
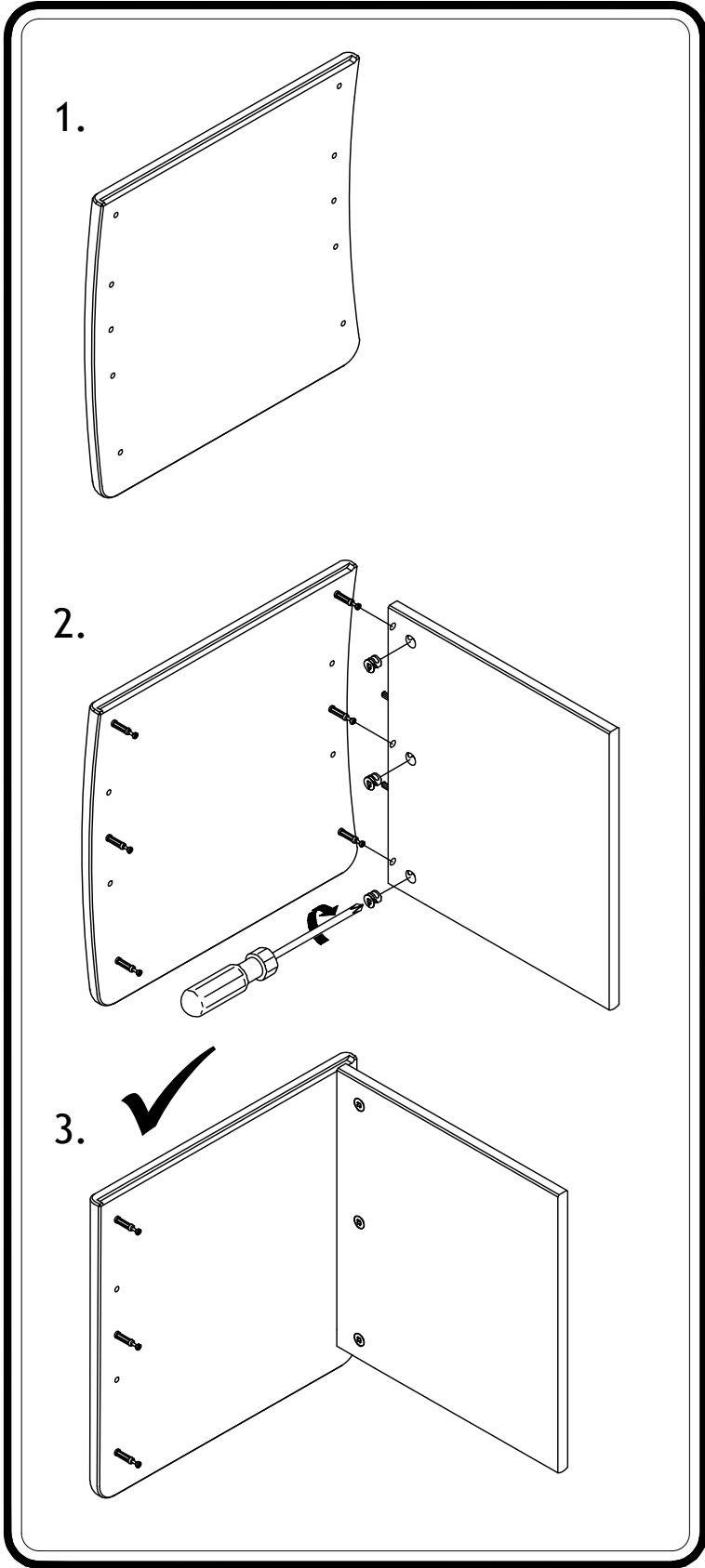
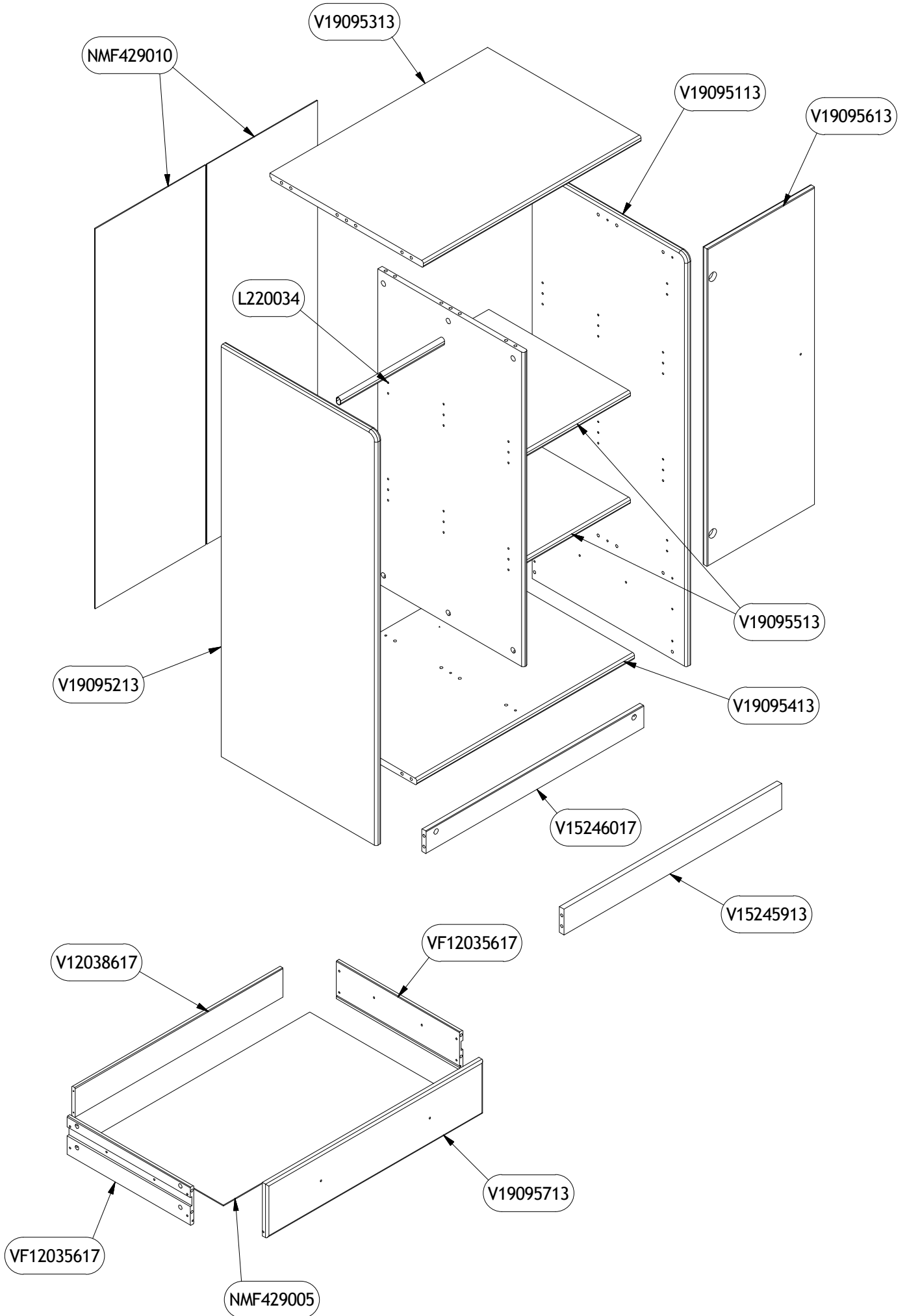
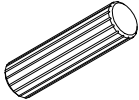
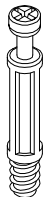
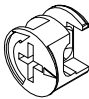




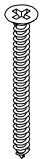


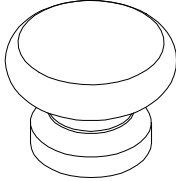
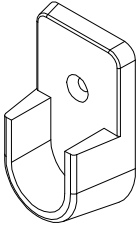
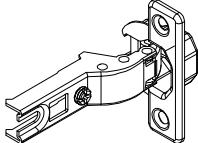
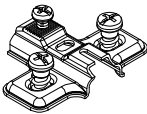


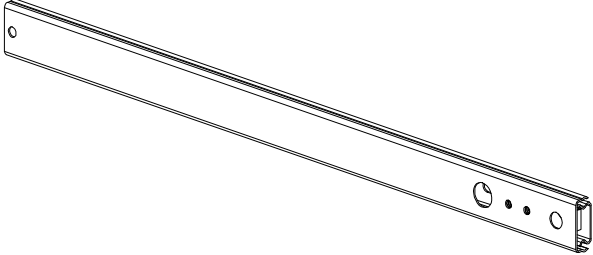


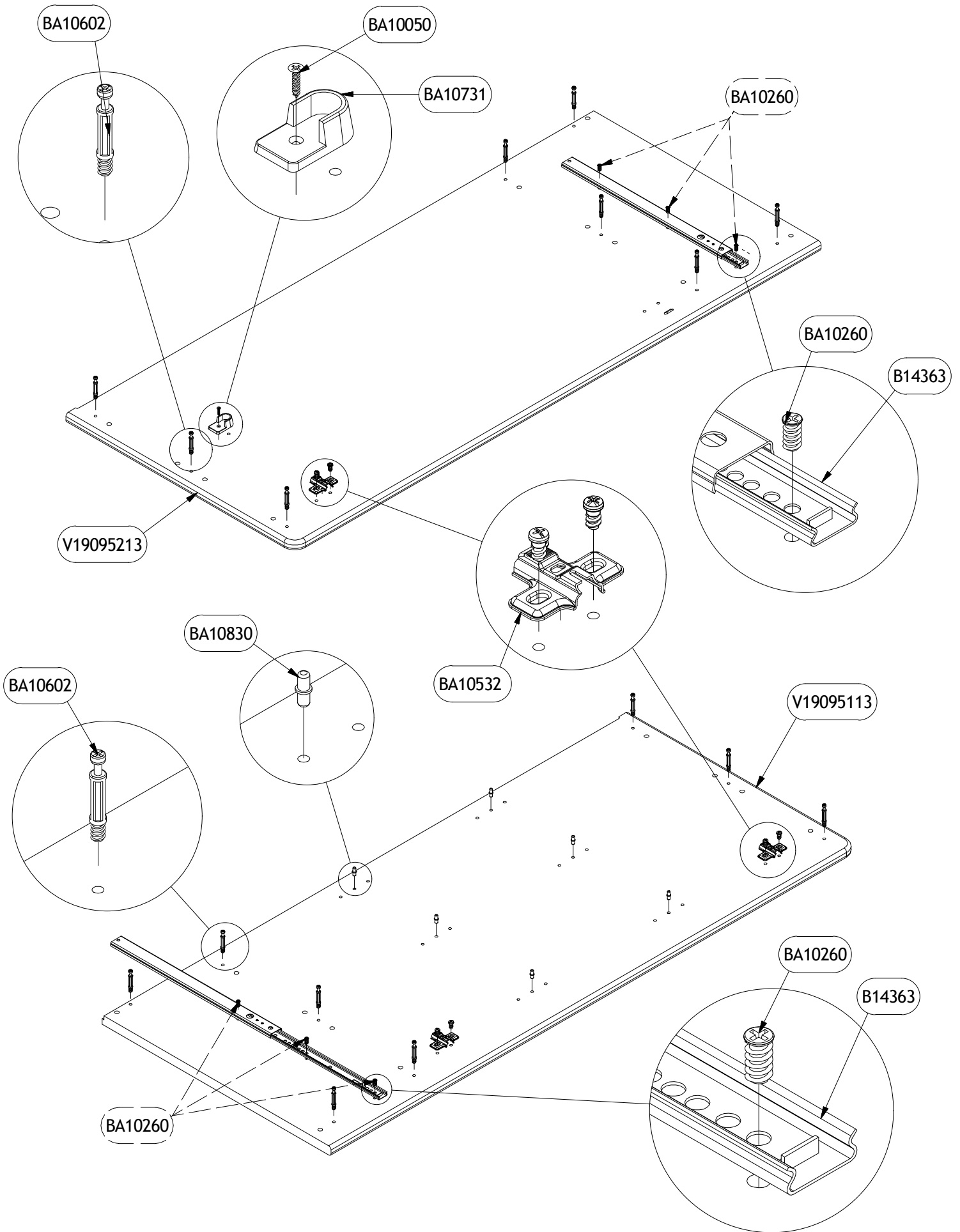
29009913

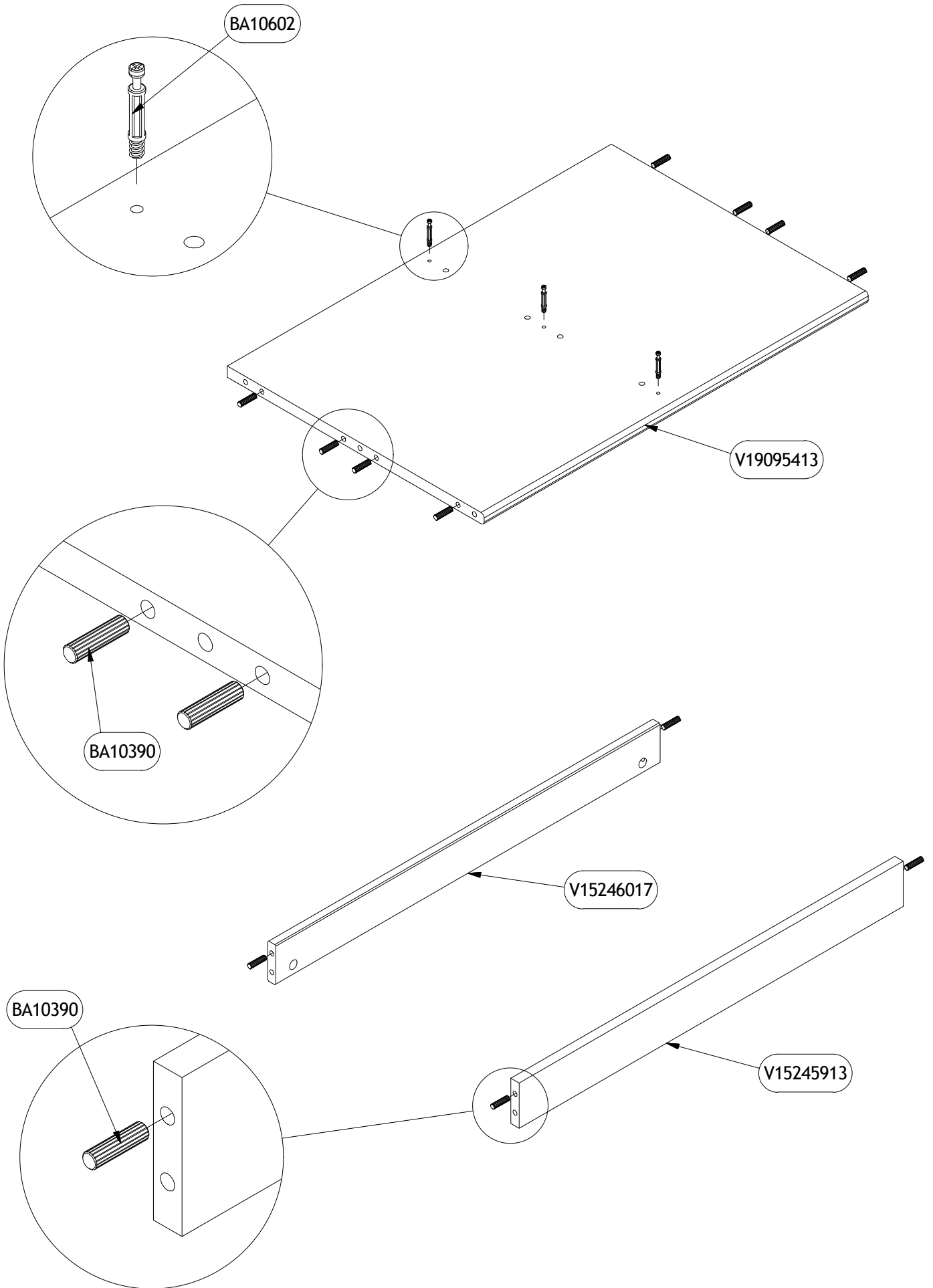


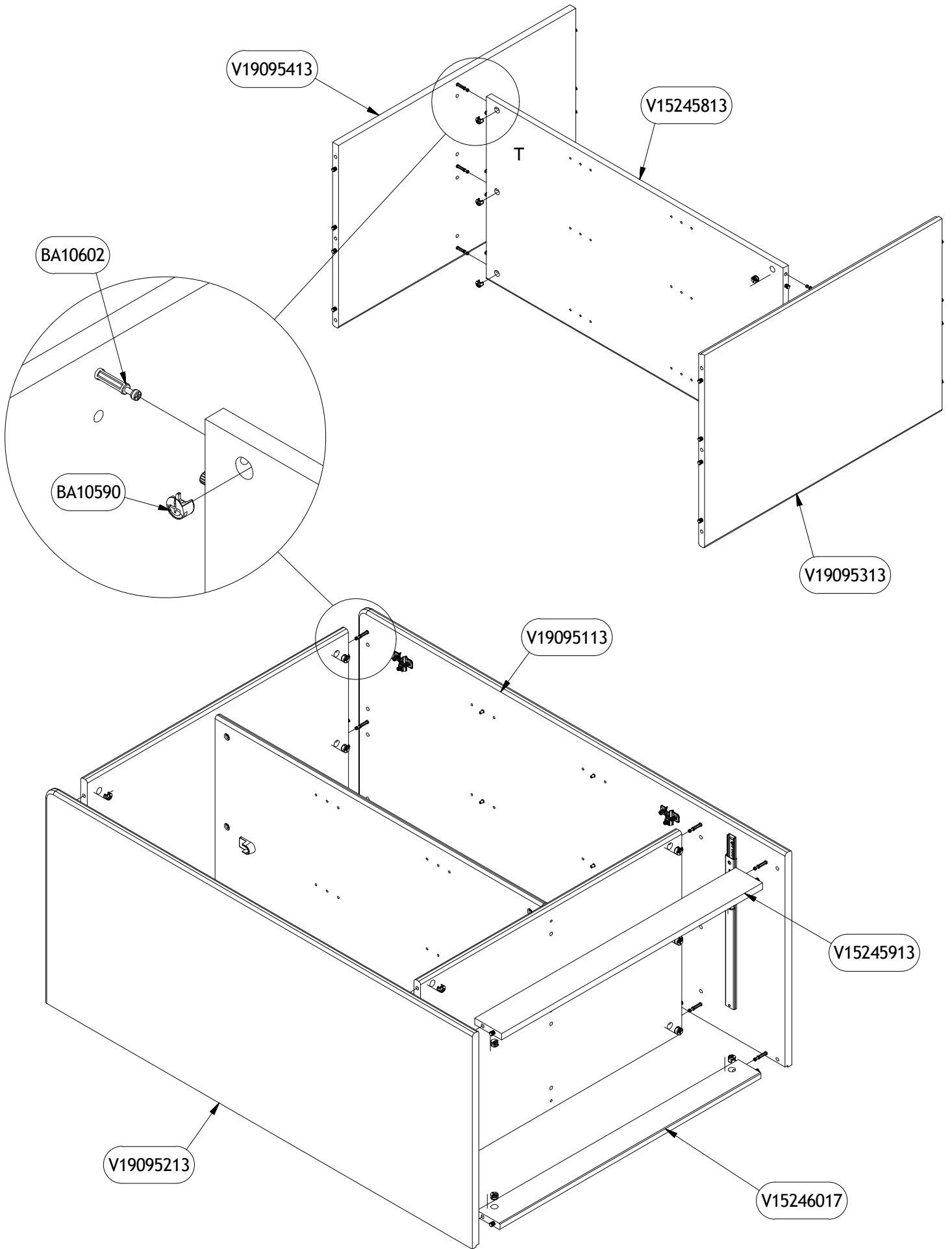


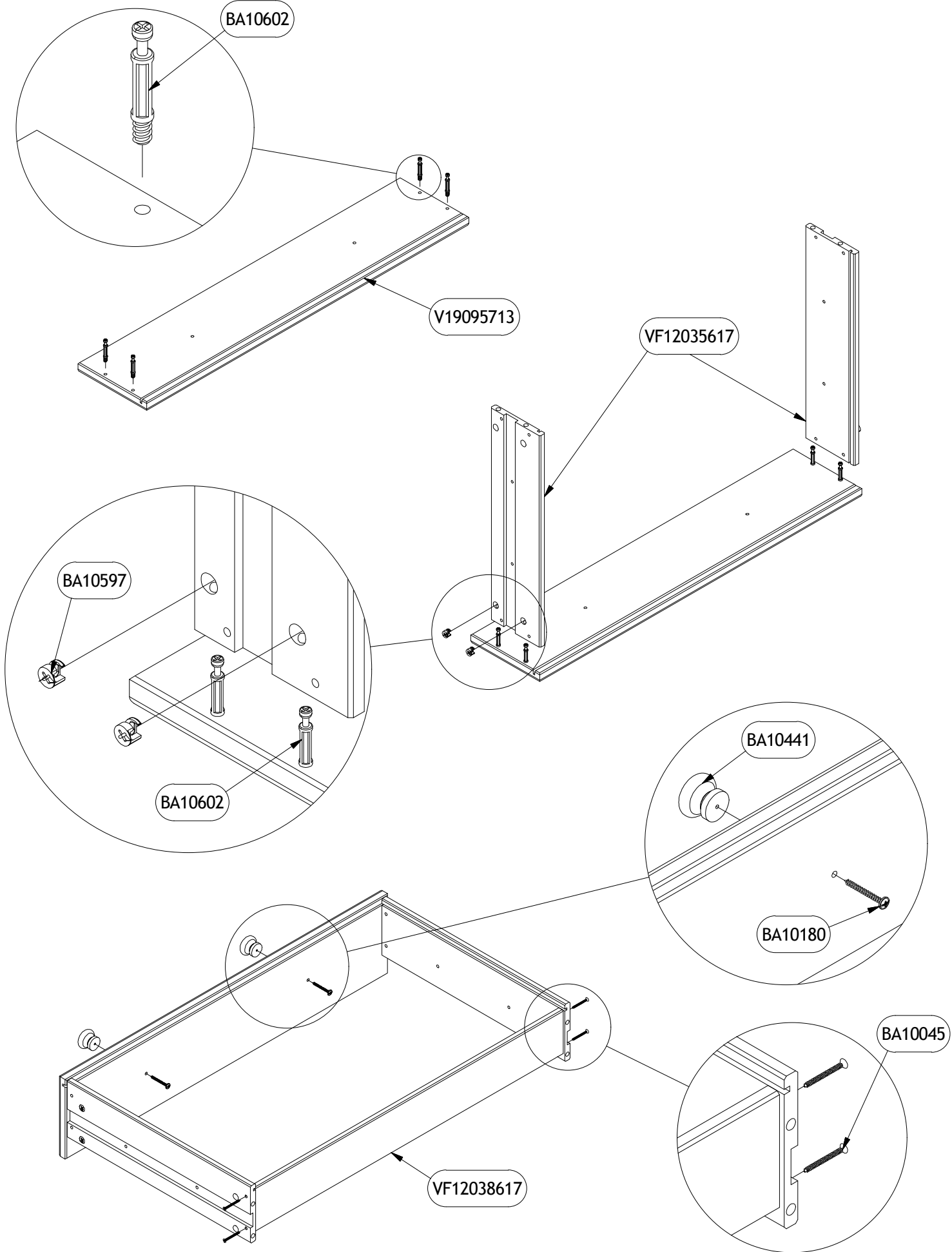


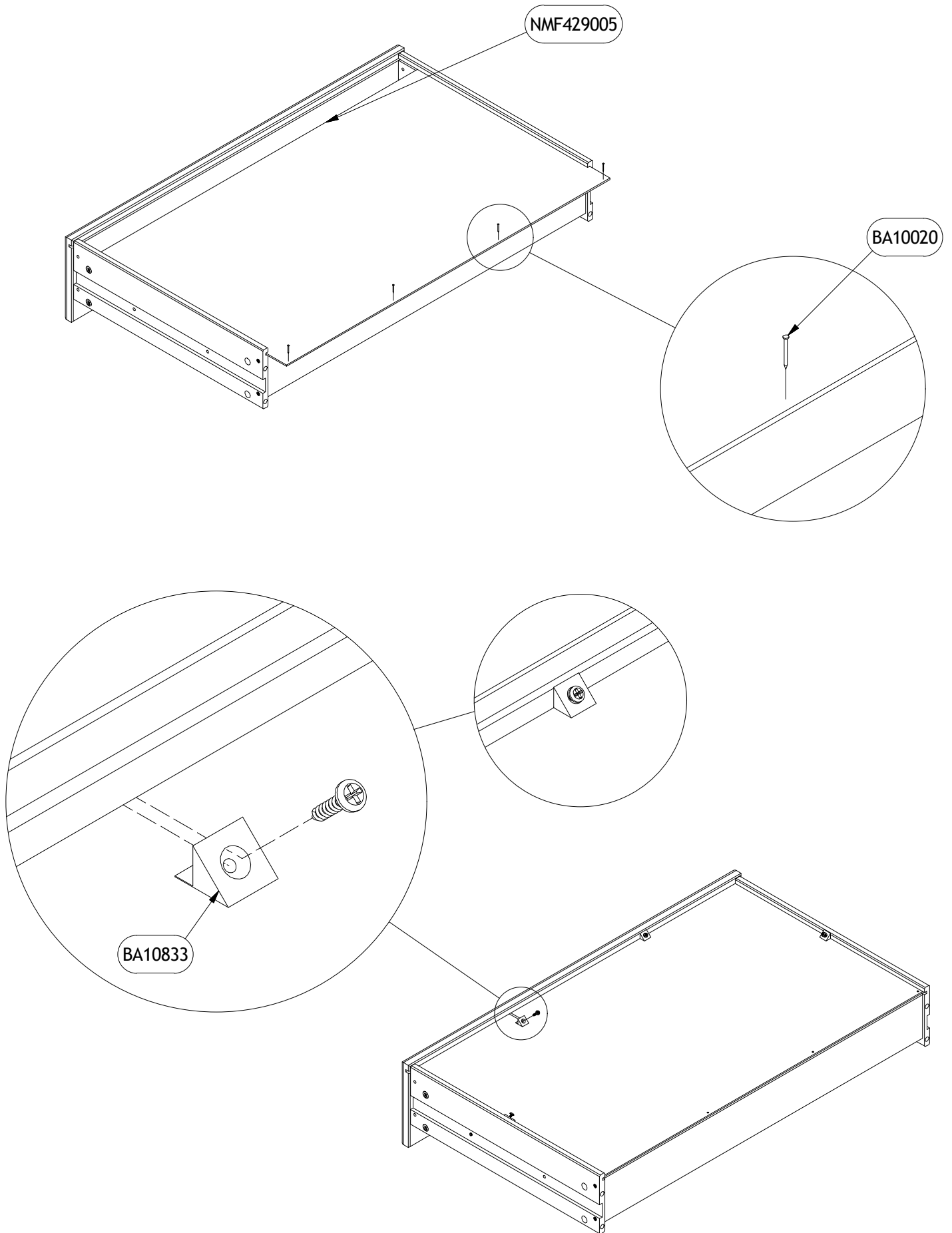
| | | | | | |
|-----------------------------------------------------------------------------------------------------------------------|-----------------------------------------------------------------------------------------------------------------------|------------------------------------------------------------------------------------------------------------------------|------------------------------------------------------------------------------------------------------------------------|------------------------------------------------------------------------------------------------------------------------|---------------------------------------------------------------------------------------------------------------------|
| <p>BA10390 x 28 ø8x30 mm</p>  | <p>BA10602 x 26 5x34/8 mm</p>  | <p>BA10570 x 22 ø15x12 mm</p>  | <p>BA10597 x 4 ø12x10,2 mm</p>  | <p>BA10830 x 12 5/5 mm</p>  | <p>BA10260 x 6 ø5,8x11</p>  |
| <p>BA10191 x 2 M4x9 mm</p>  | <p>BA10045 x 4 ø3,5x35 mm</p>  | <p>BA10170 x 4 ø4,0x35 mm</p>  | <p>BA10050 x 10 ø3,5x15 mm</p>  | <p>BA1044113 x 4 ø34x28 mm</p>  | <p>BA10731 x 2 15x22 mm</p>  |
| <p>BA10524 x 4 ø26/10,5 mm</p>  | <p>BA10532 x 4 0 mm/37 mm</p>  | <p>BA10833 x 4 15x15x10 mm</p>  | <p>BA10020 x 50 ø1,2x16 mm</p>  | | |
| <p>B14363 x 2 27x374 mm</p>  | | | | | |
| | | | | | |

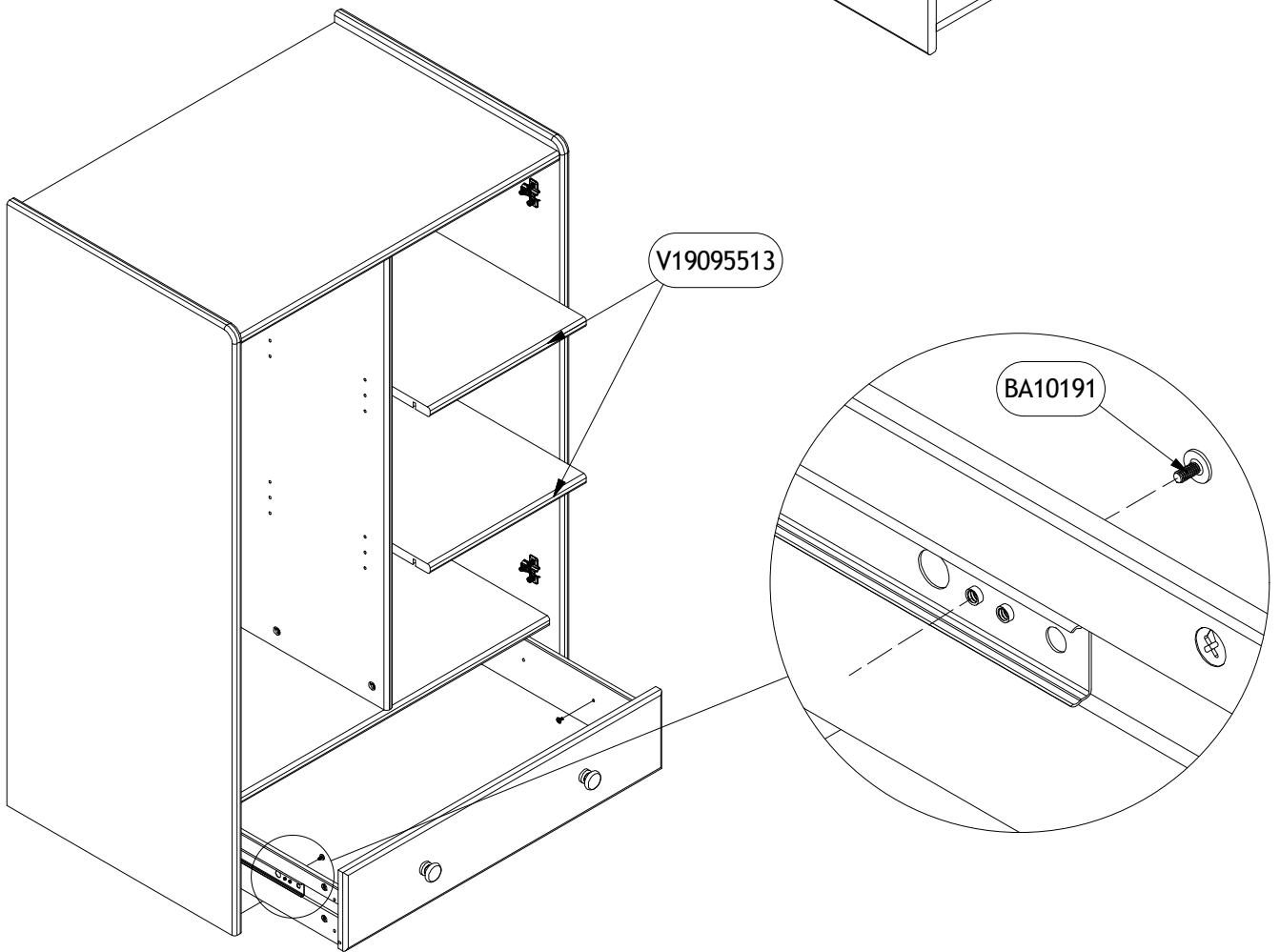
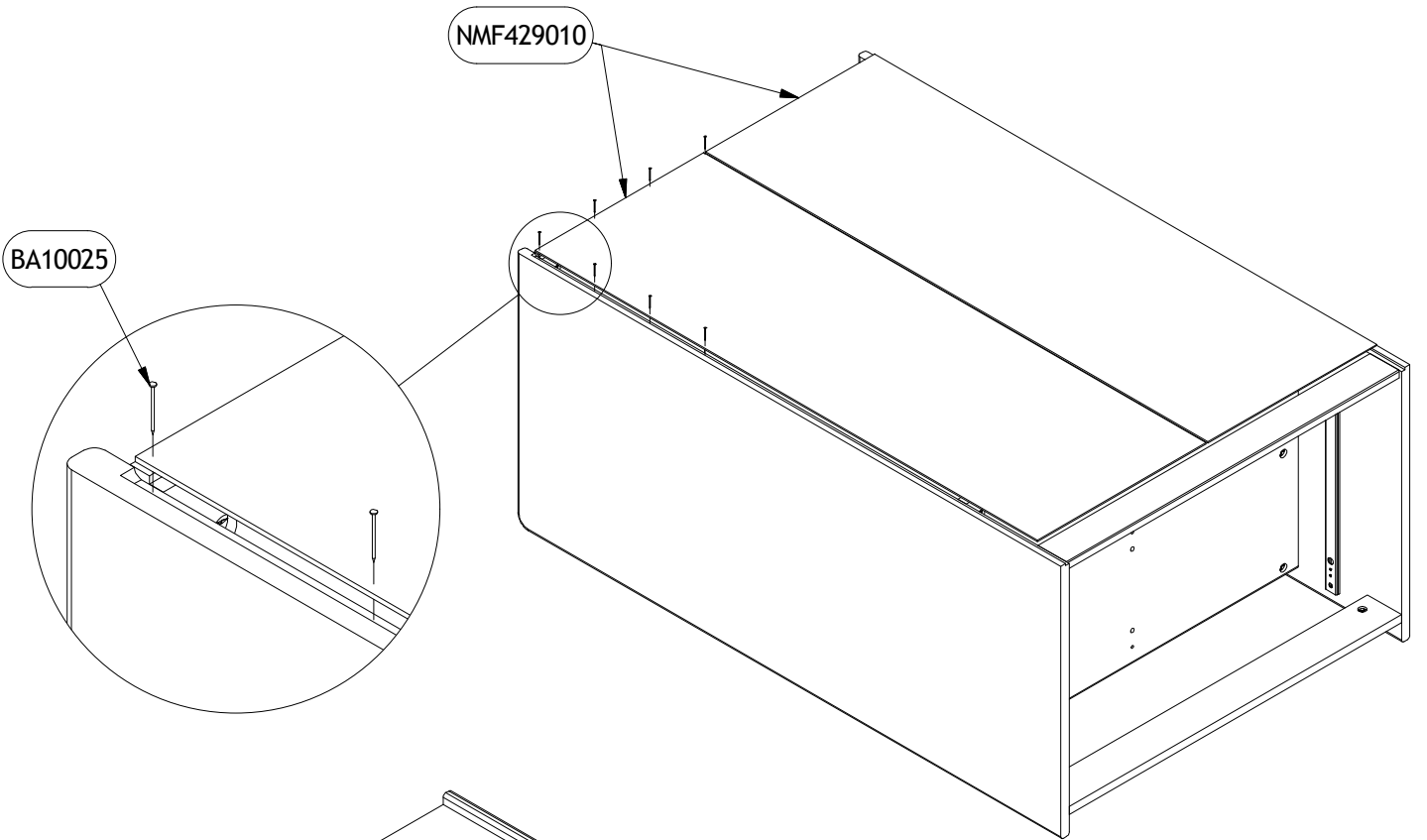












6

