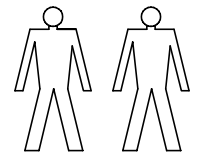
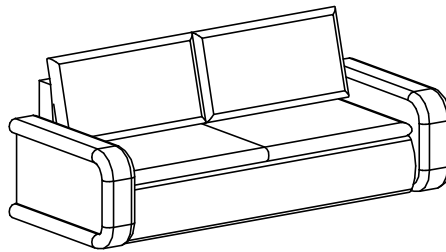
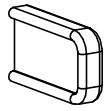


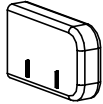
# SIGMA



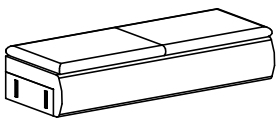
10



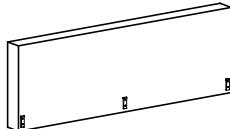
A - 1 St.



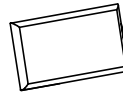
B - 1 St.



C - 1 St.



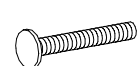
D - 1 St.



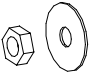
E - 2 St.



F - 4 St.  
4 x 50 mm



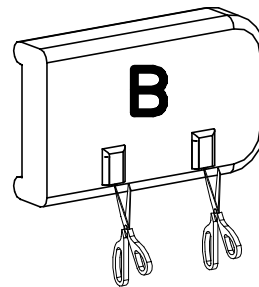
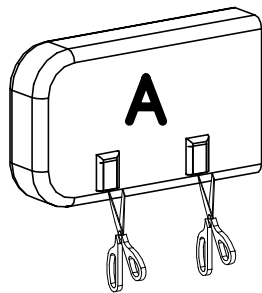
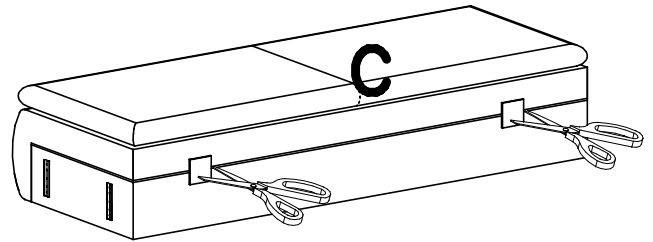
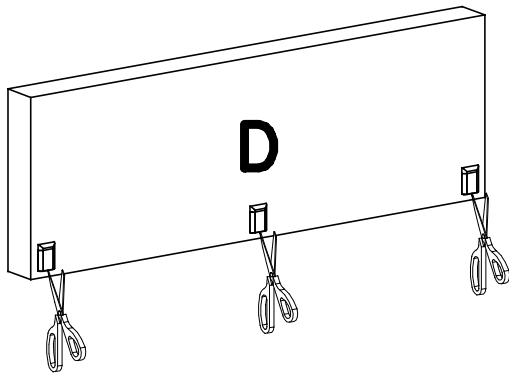
G - 2 St.  
M6 x 70 mm



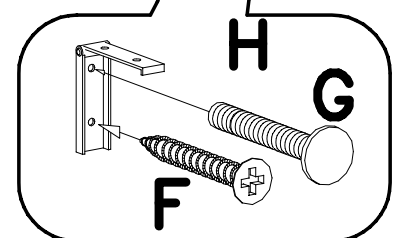
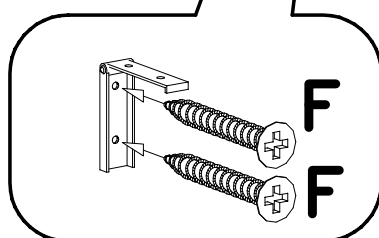
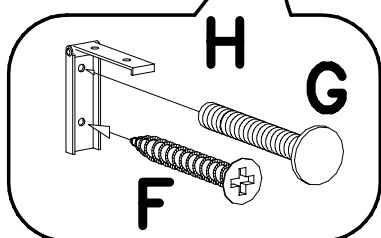
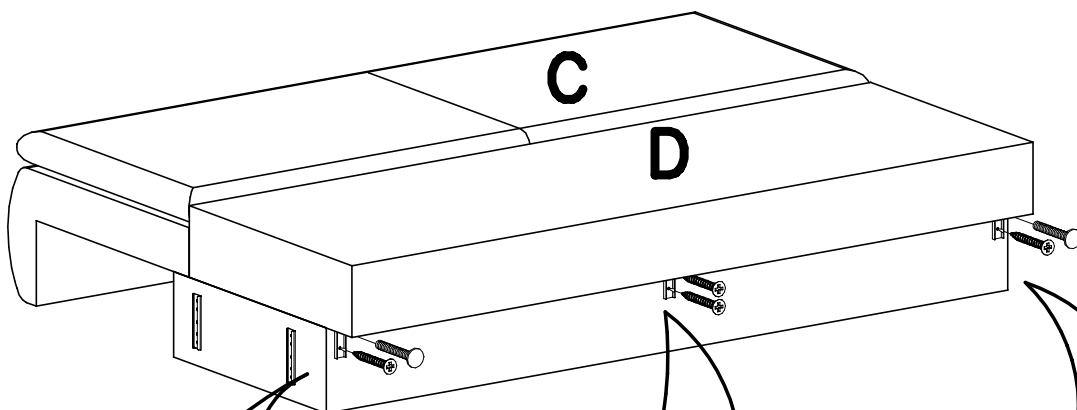
H - 2 St.

M6

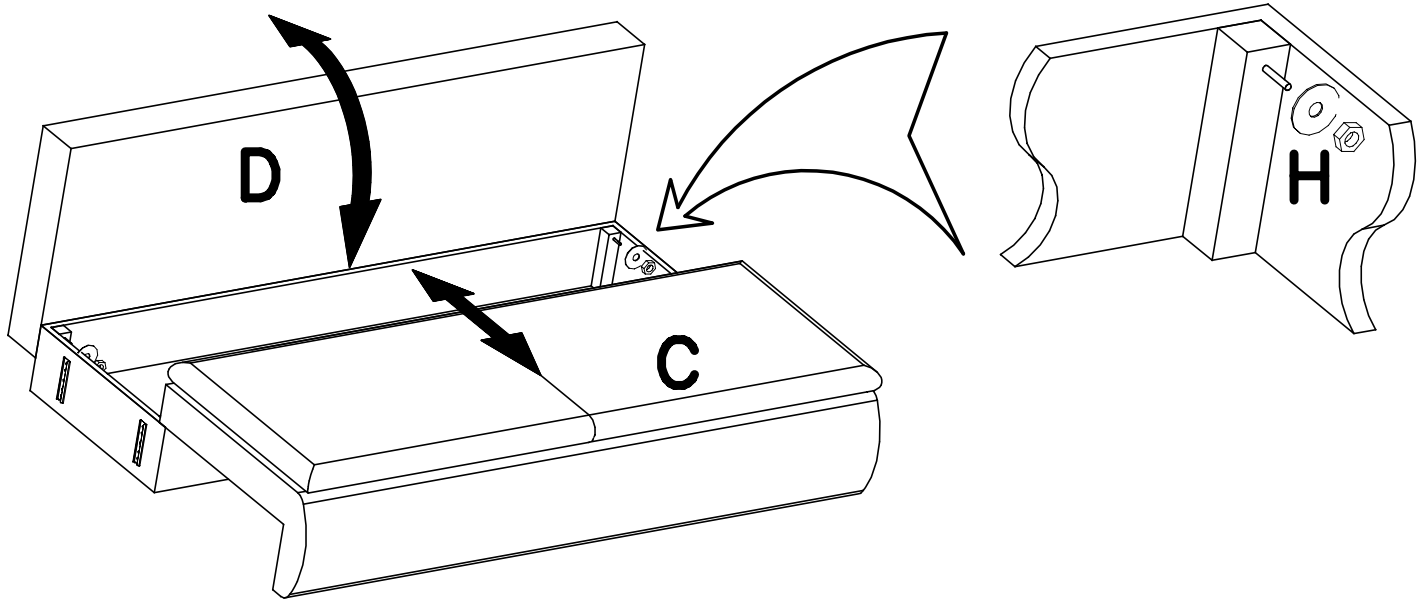
I



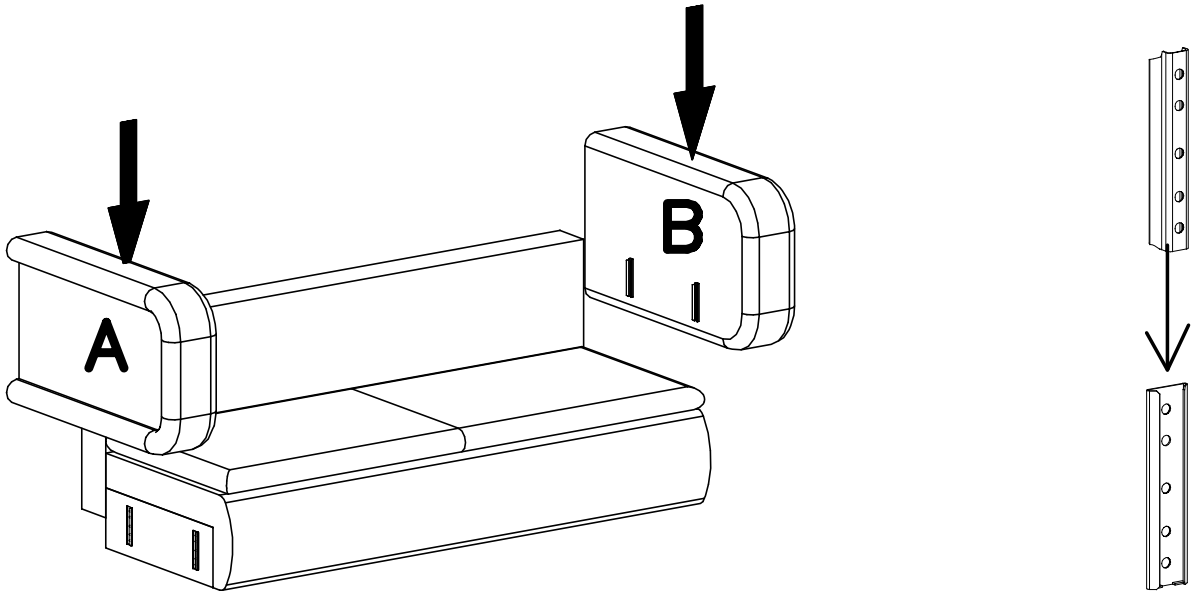
II



III



IV



V

