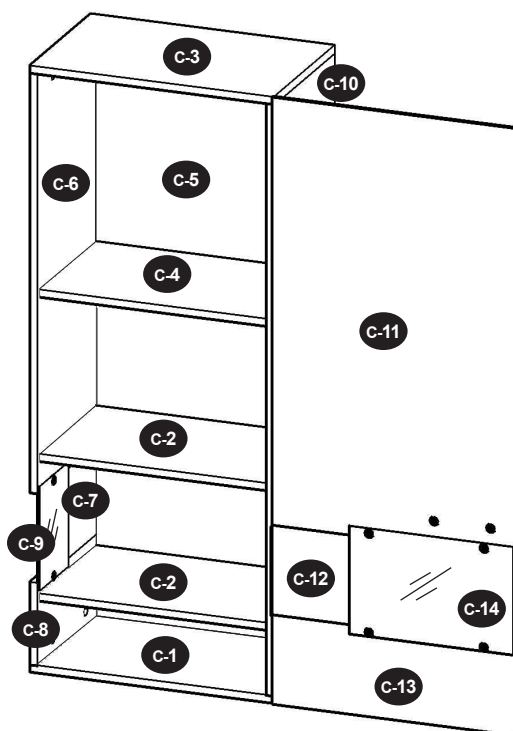
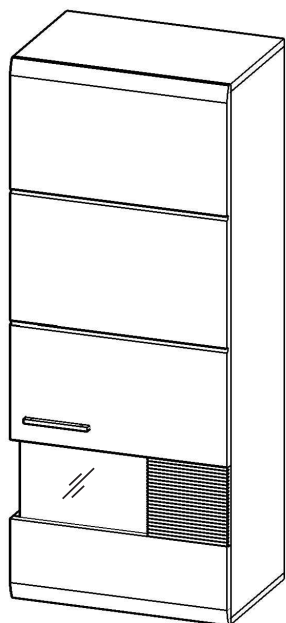
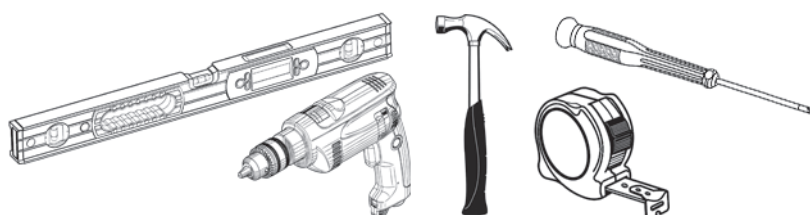
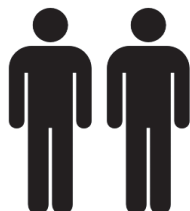




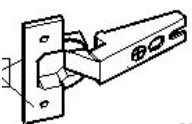
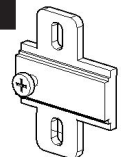

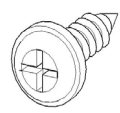
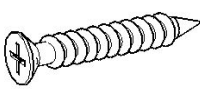
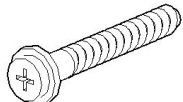
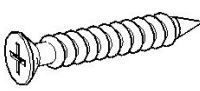
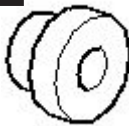


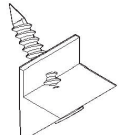

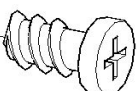
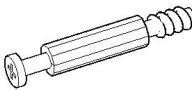
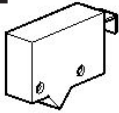
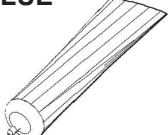
LUIGI

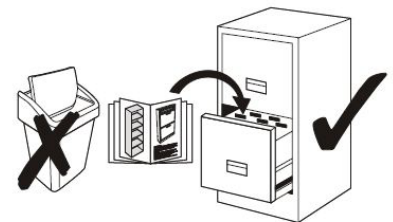
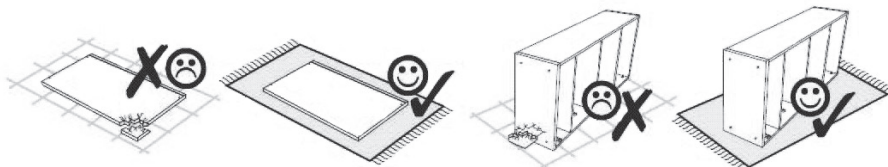
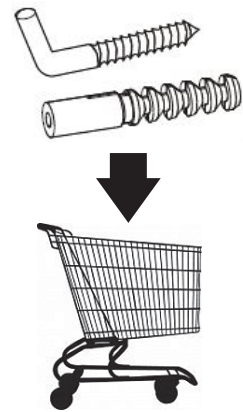
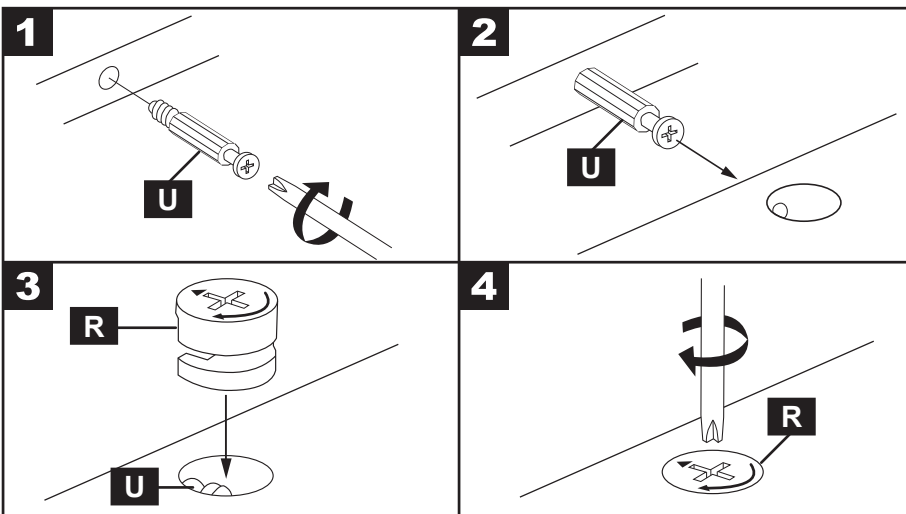
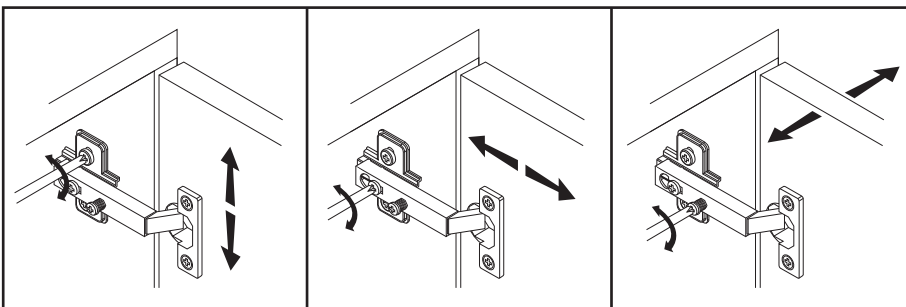


C

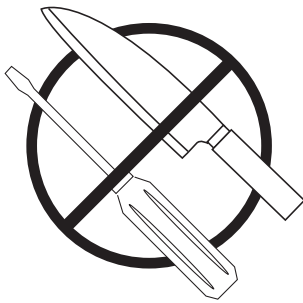
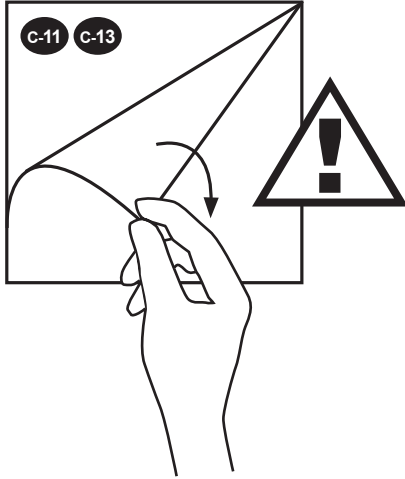
55 min.



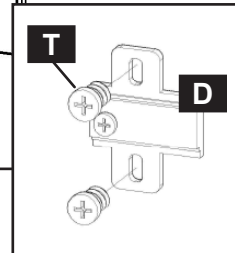
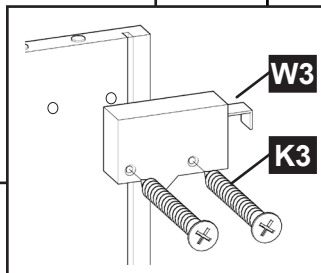
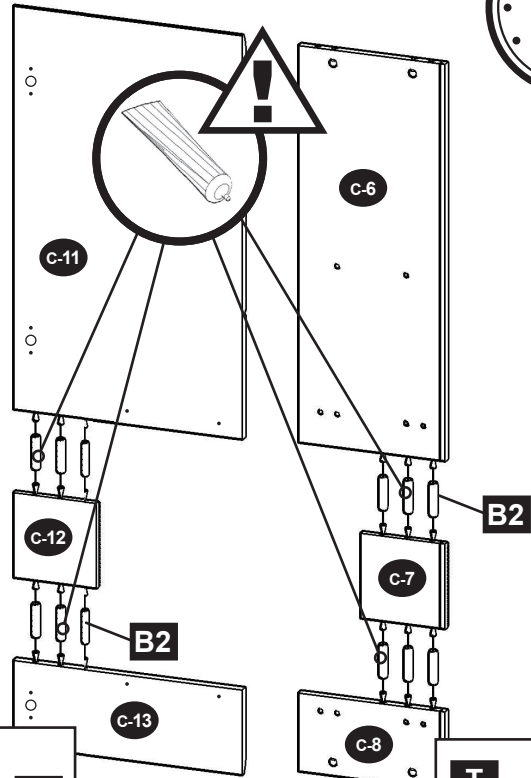
B  8x32 x16	B2  8x38 x12	C  x3	D  x3	E  4x13 x6	E2  4x16 x6
K  3x20 x6	K1  4x22 x2	K3  4x30 x4	L2  x6	L3  x4	M  x1
P  x8	R  x16	T  x6	U  x16	W3  x2	GLUE  x1



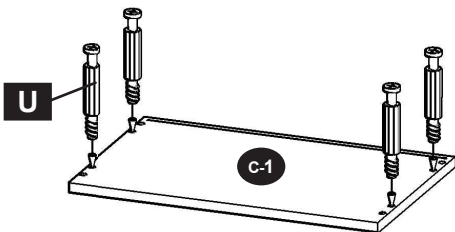
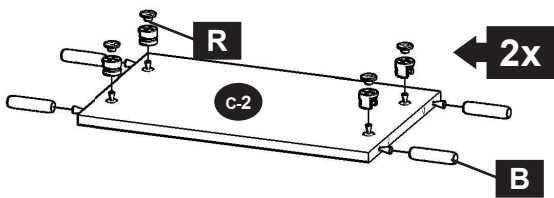
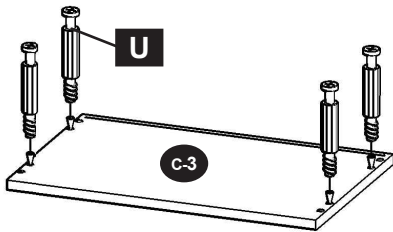
C1/9



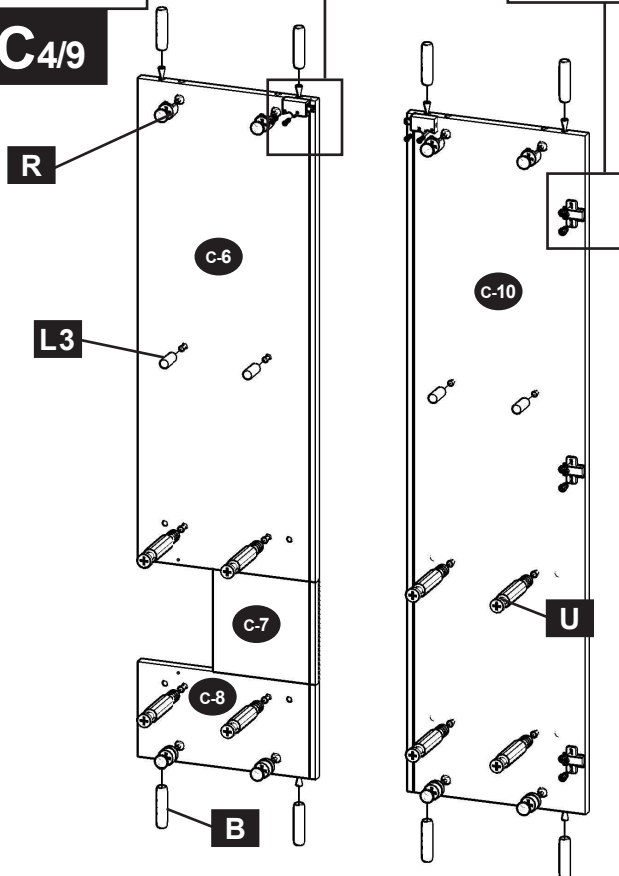
C2/9



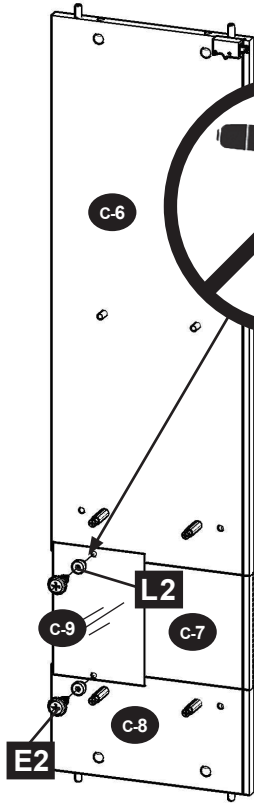
C3/9



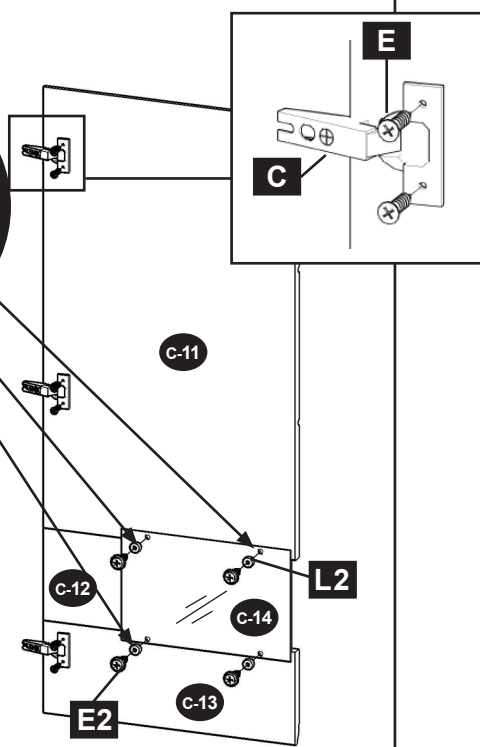
C4/9



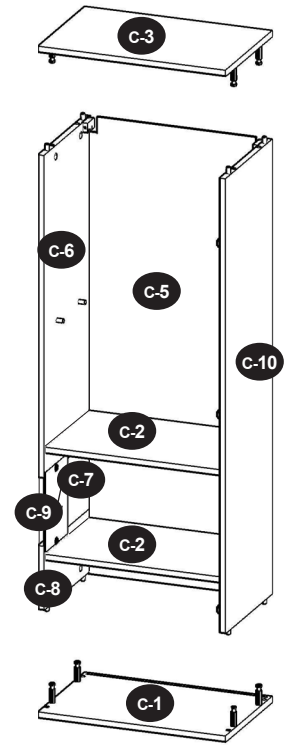
C5/9



C6/9



C7/9



C8/9



A=B C9/9

