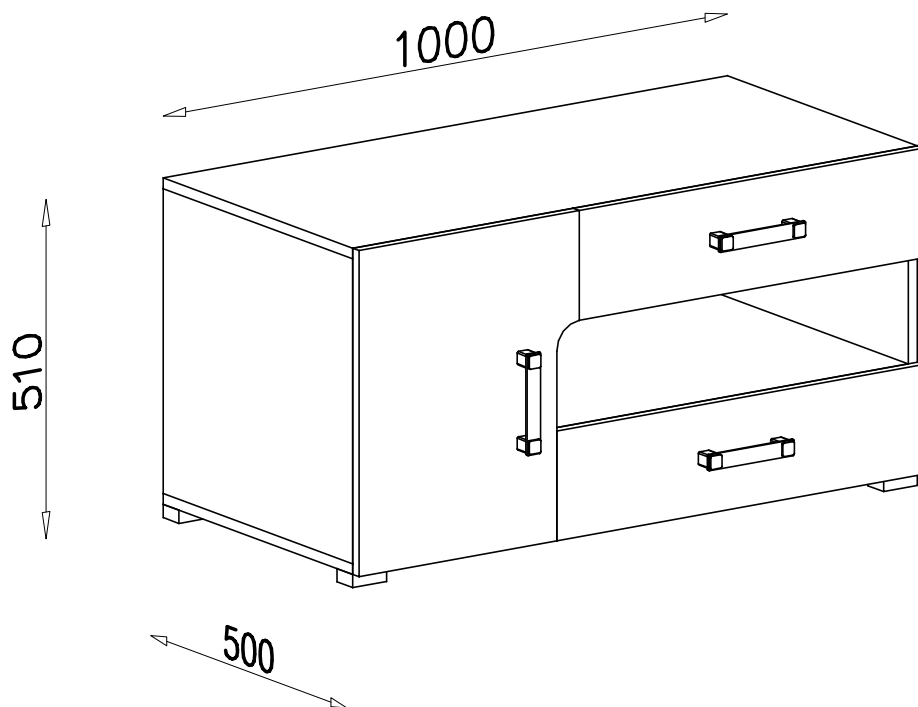
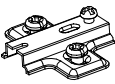
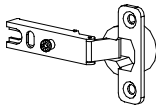
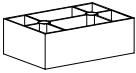
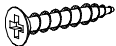
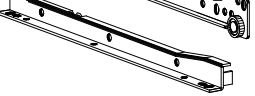

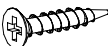



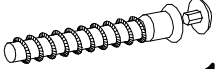
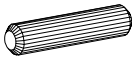


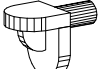


# system BLOG

# BL 12



<b>F</b>  x2	<b>D</b>  x2	<b>G</b>  x5	<b>M</b>  4 x 25 x10	<b>H</b>  40cm x2
<b>W</b>  x3	<b>E</b>  3 x 20 x60	<b>U</b>  x3	<b>N</b>  4 x 27 x6	<b>K</b>  6 x 13 x8
<b>A</b>  x14	<b>B</b>  x46	<b>T</b>  4 x 16 x16	<b>Z</b>  x1	<b>P</b>  x4