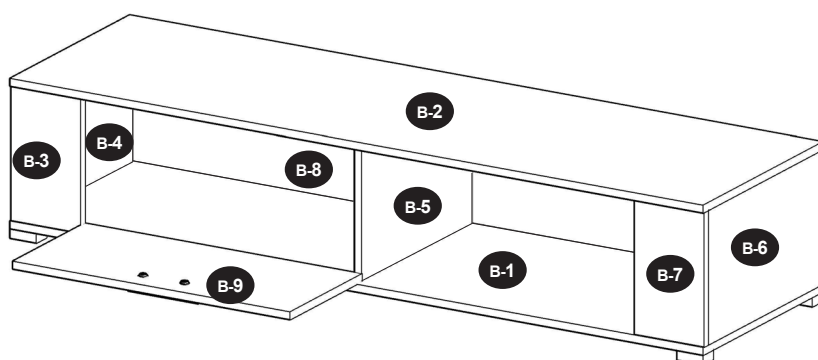
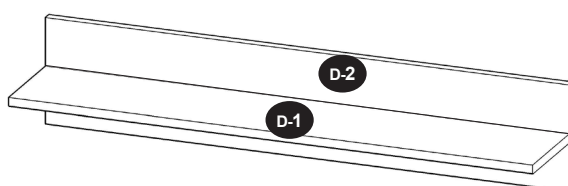
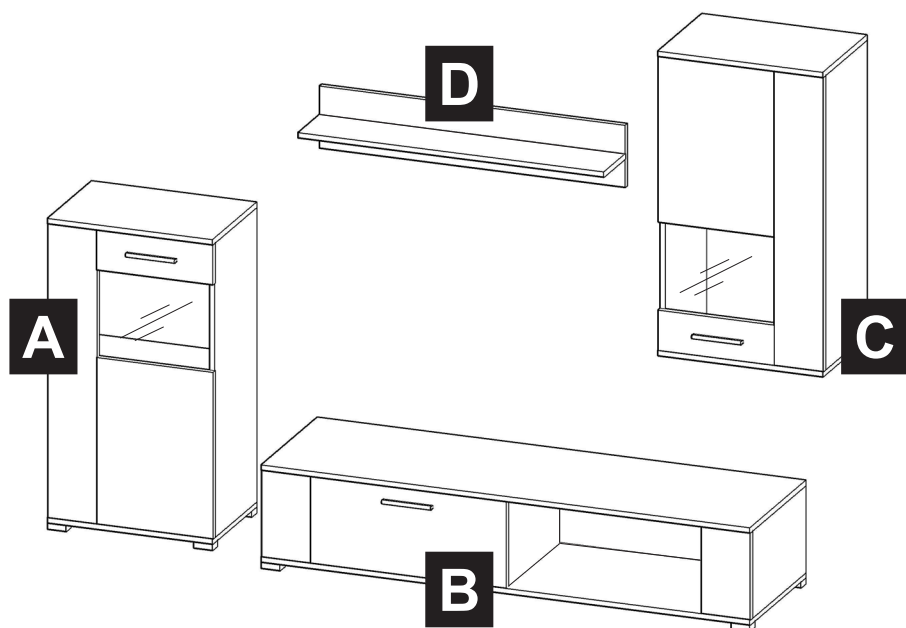


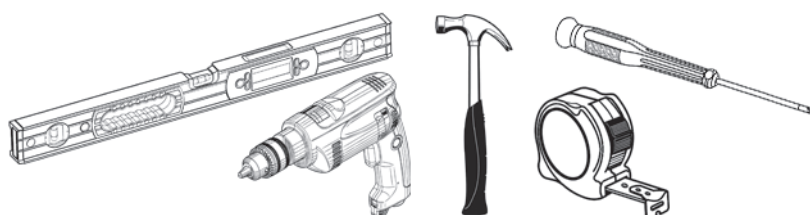
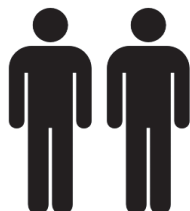
# FOXY

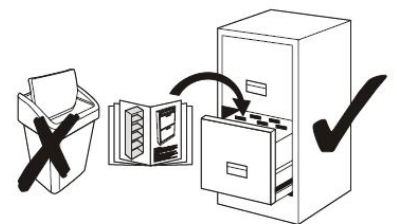
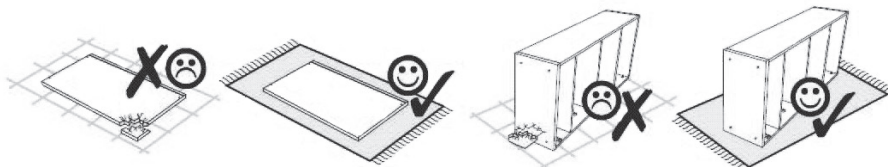
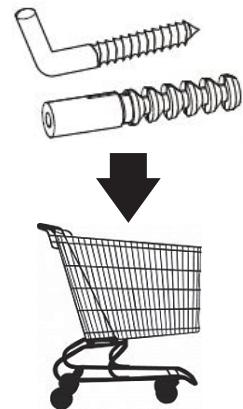
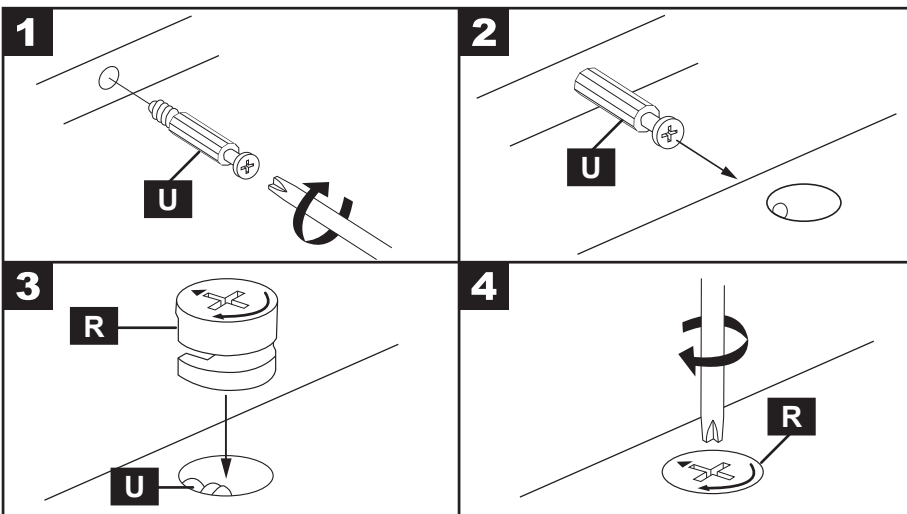
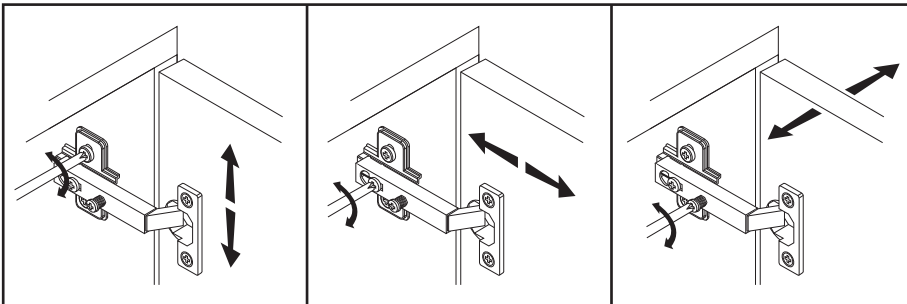
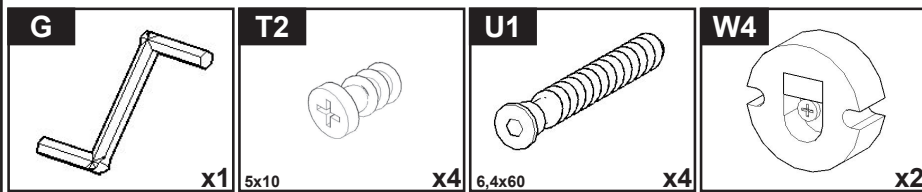
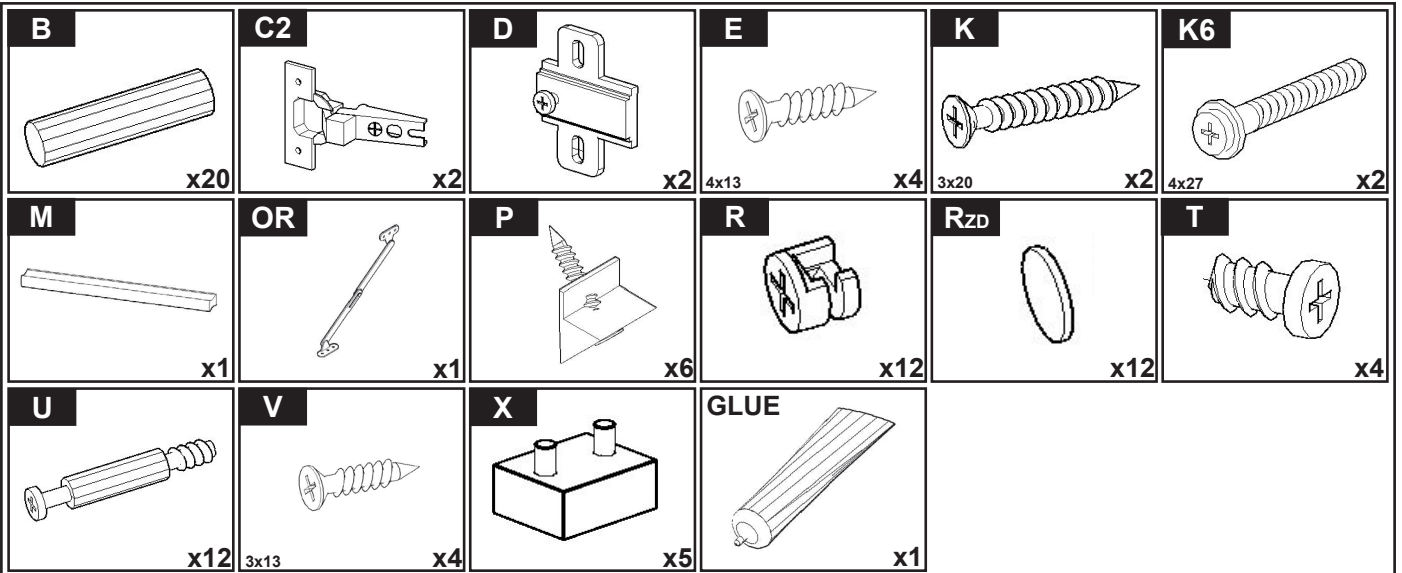


**D**

**B**

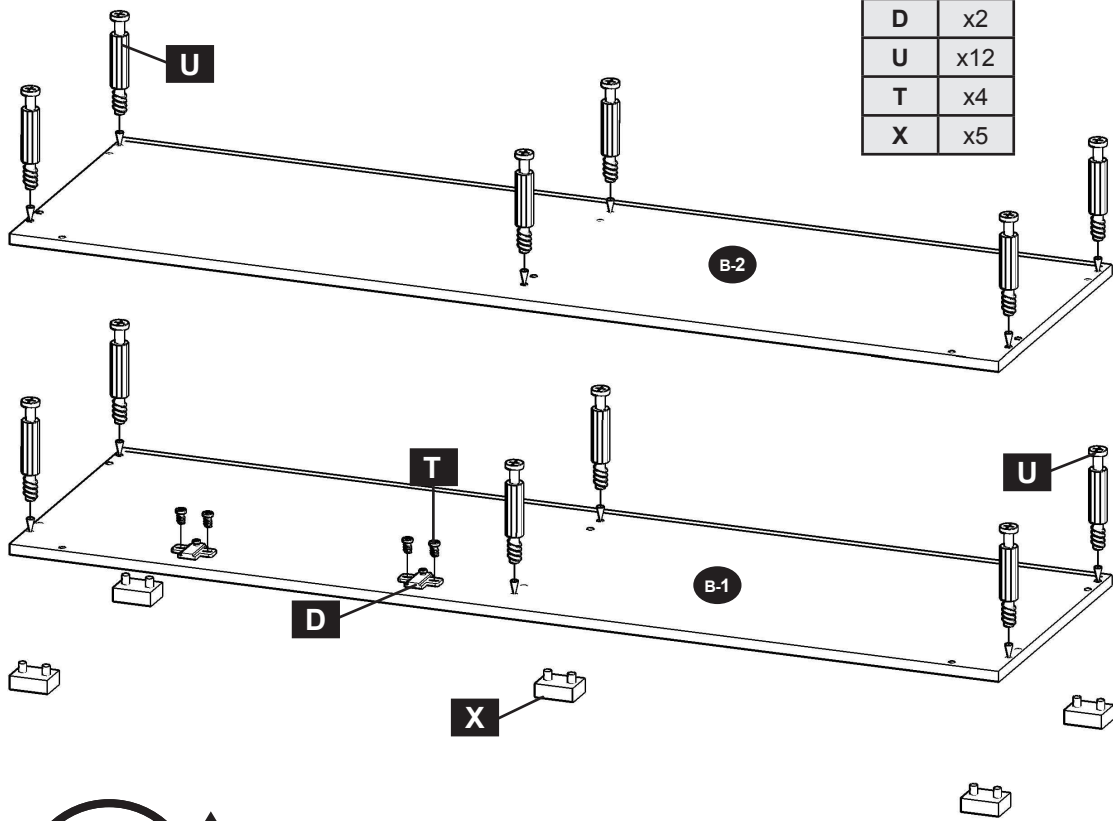
40 min.



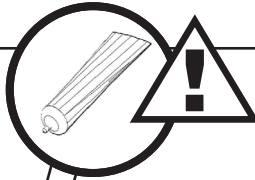


# B<sub>1/6</sub>

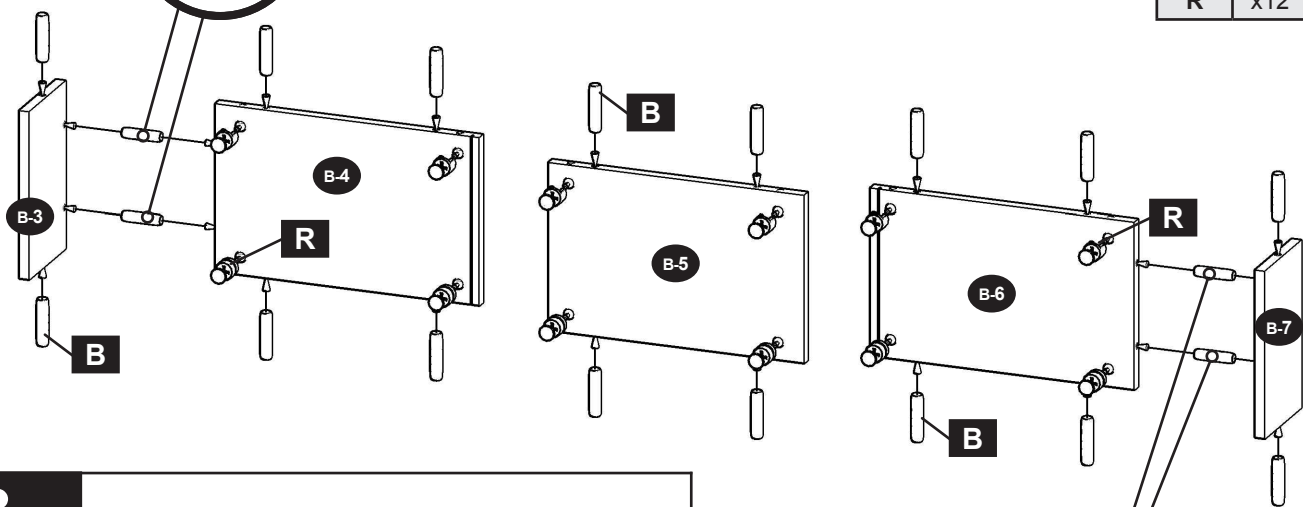
D	x2
U	x12
T	x4
X	x5



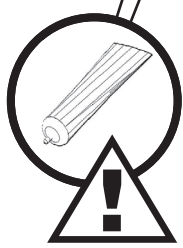
# B<sub>2/6</sub>



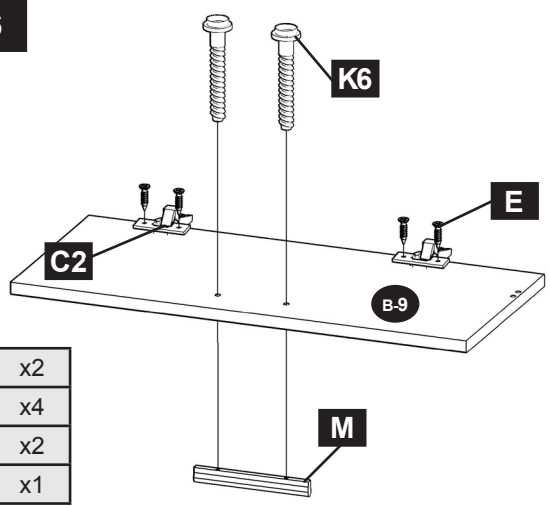
B	x20
R	x12



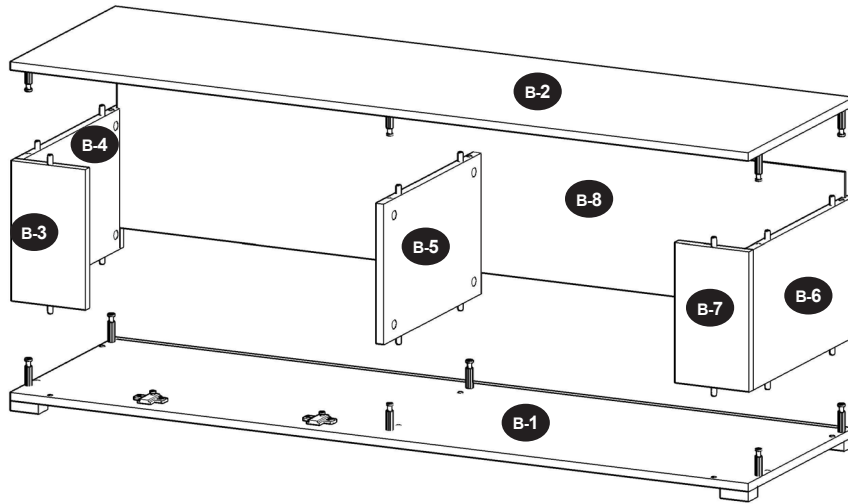
# B<sub>3/6</sub>



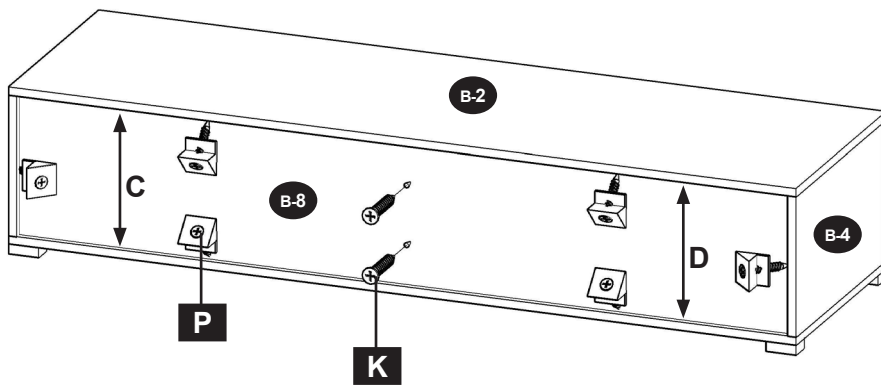
C2	x2
E	x4
K6	x2
M	x1



# B4/6



# B5/6

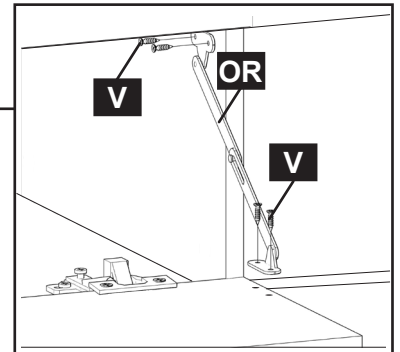
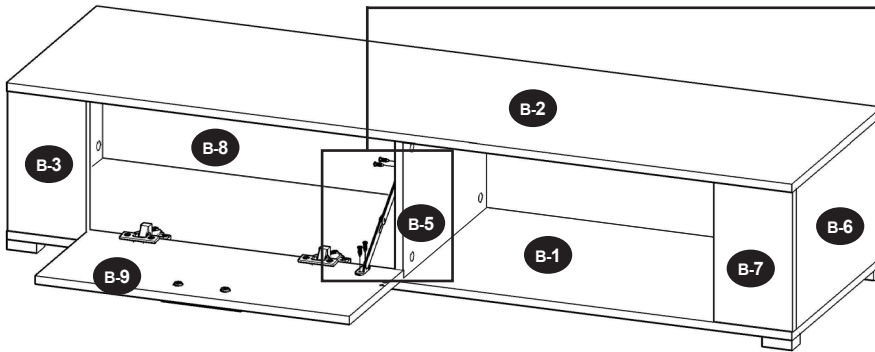


K	x2
P	x6

**C=D**

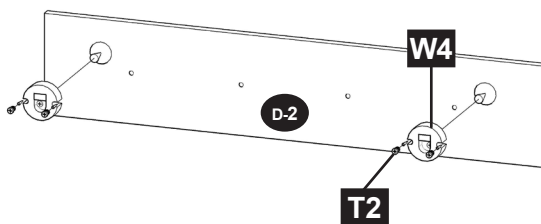
# B6/6

OR	x1
V	x4



# D1/2

T2	x4
W4	x2



# D2/2

U1	x4
----	----

