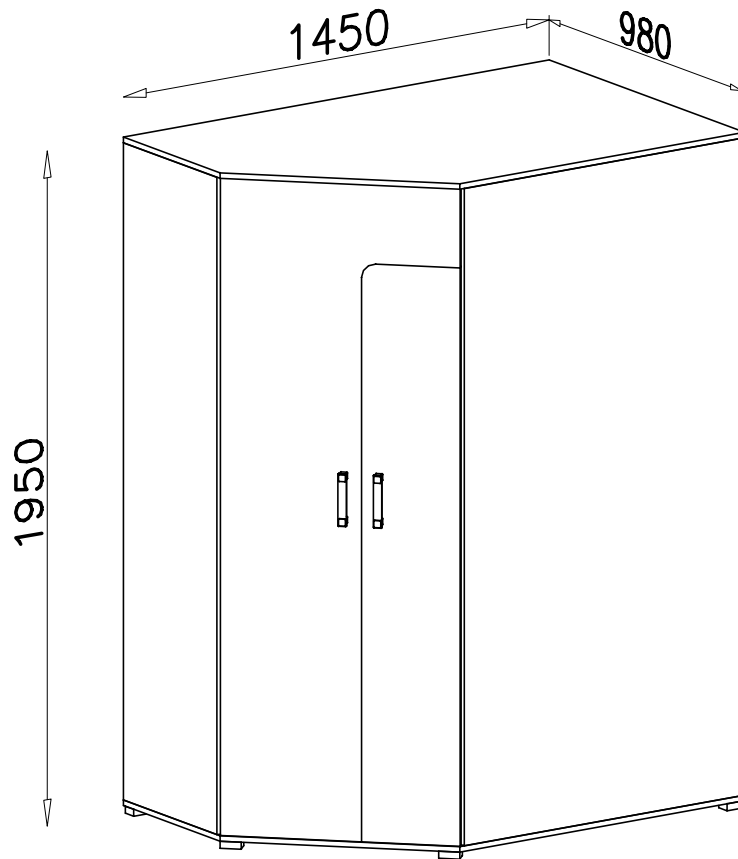

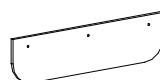

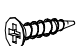
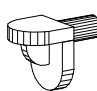
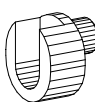


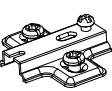
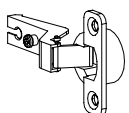
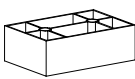







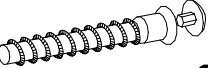



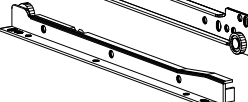


system BLOG

BL 1 L/P



		X  3 x 16 x3	R  x1	J  x18
Y  3 x 13 x8	P  x28	L  x8	S  904mm x2	C  536mm x2
F  x6	D  x6	G  x16	M  4 x 25 x32	K  6 x 13 x8
W  GLUE KLEJ x3	E  3 x 20 x135	U  x4	N  4 x 27 x8	H  x2
A  x26	B  x57	T  4 x 16 x24	Z  x1	 30cm x2