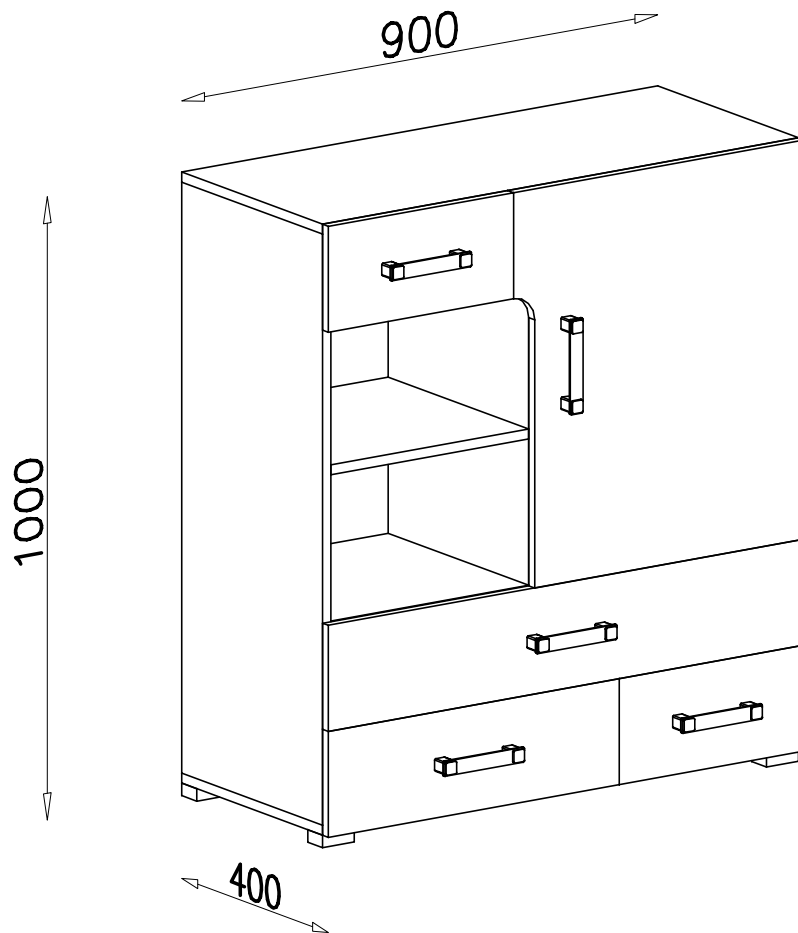

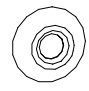
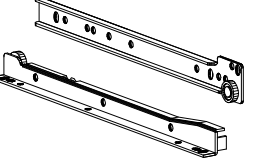
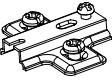
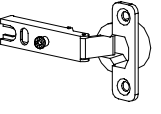
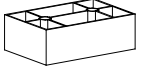






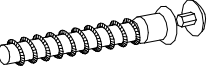



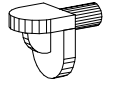


# system BLOG

# BL 10



		Y  135mm x1	S  x15	H  35cm x4
F  x2	D  x2	G  x5	M  4 x 25 x10	
W  x3	E  3 x 20 x75	U  x5	N  4 x 27 x10	K  6 x 13 x16
A  x9	B  x56	T  4 x 16 x28	Z  x1	P  x8