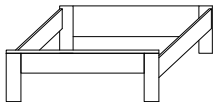
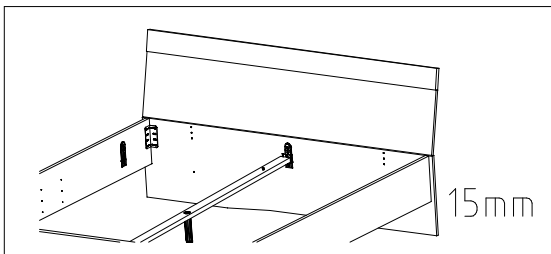
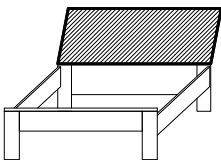
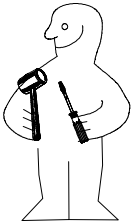


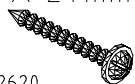

980482

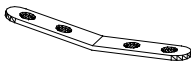
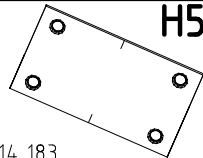
1.

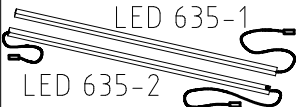



2.

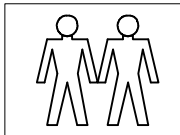


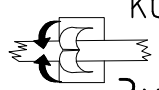
4 X 27mm 122620 	6x
4,0 x 15 mm 121 110 	24x

o16 111 004 	2x
H5 114 183 	4x

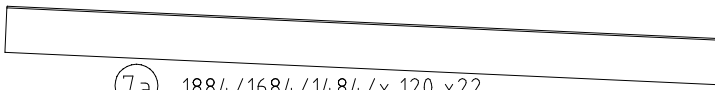
LED 635-1 LED 635-2 	
--	--

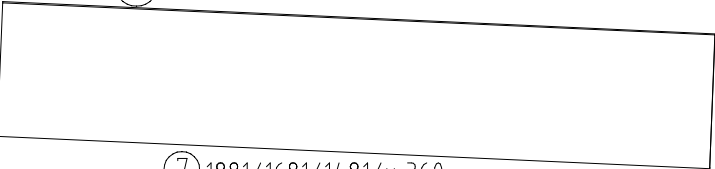
	TR
---	----




KC 111 xxx 	3x
--	----

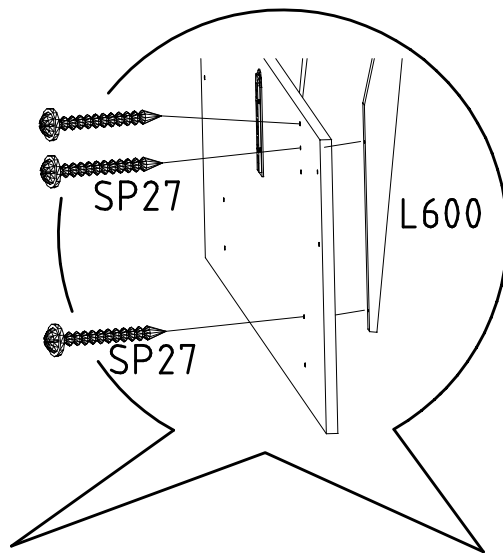
	KK200
---	-------


	7a 1884/1684/1484/x 120 x22
--	-----------------------------

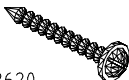
	7 1881/1681/1481/x 360
--	------------------------

	2xL 600
--	---------

1

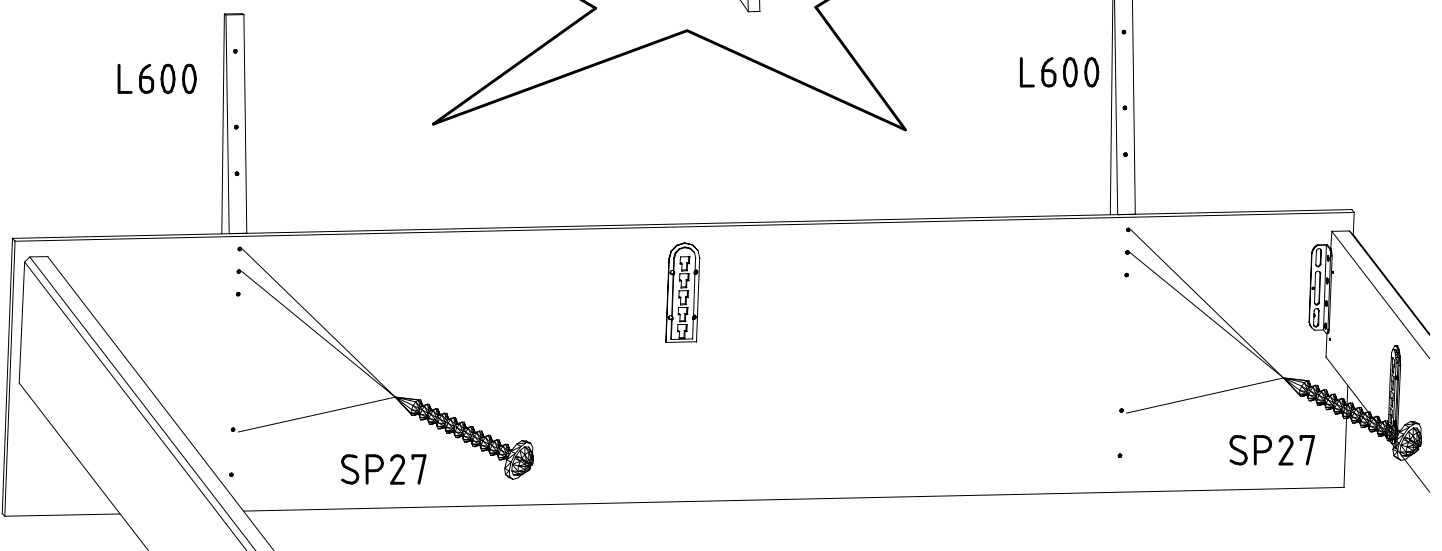


	L 600
---	-------

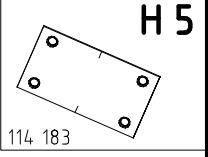
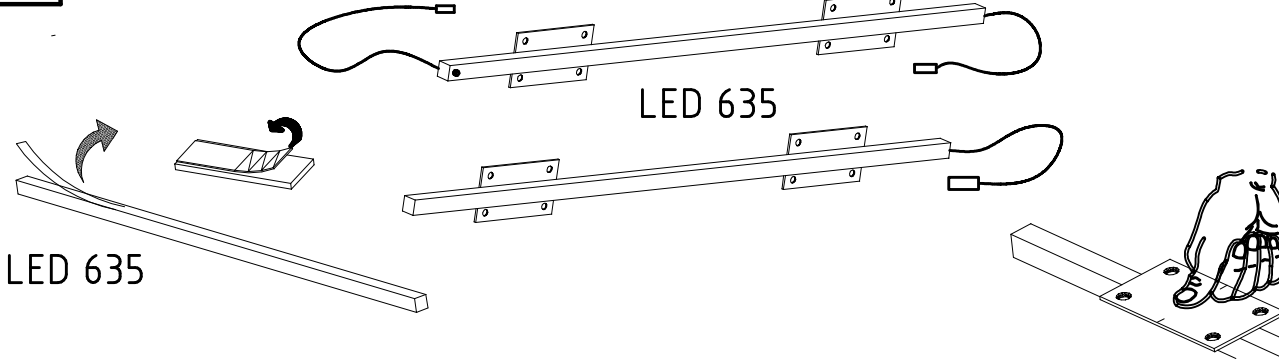
SP27 4 X 27mm 122620 
---

L600

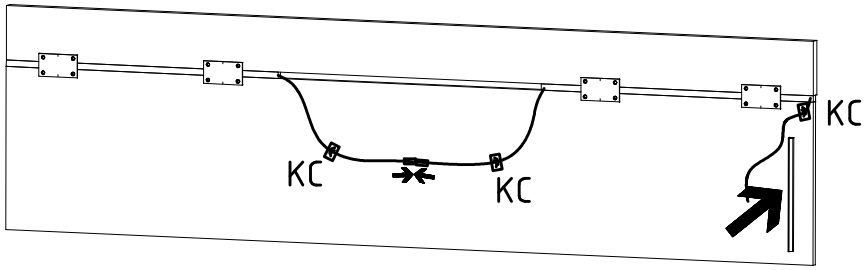
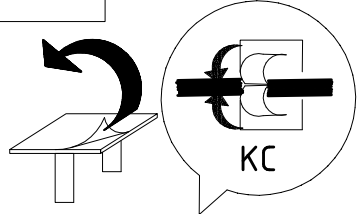
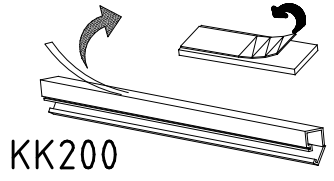
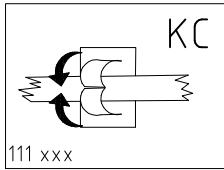
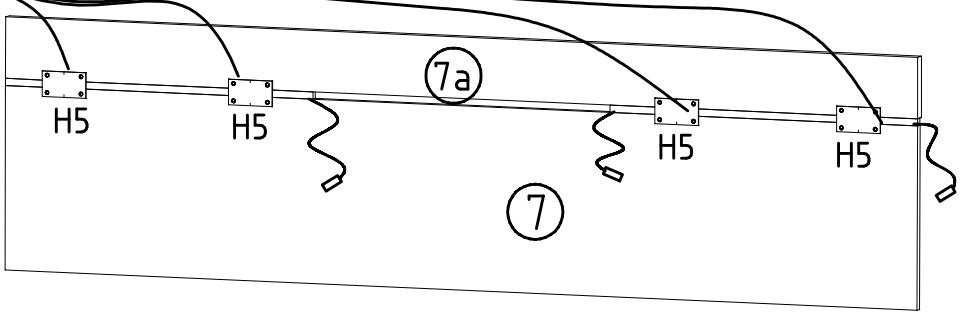
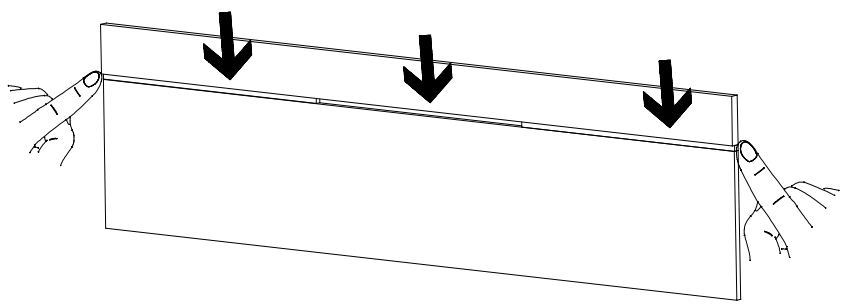
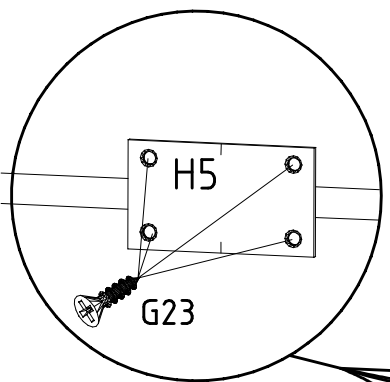
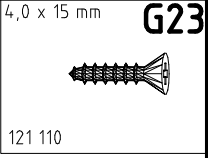
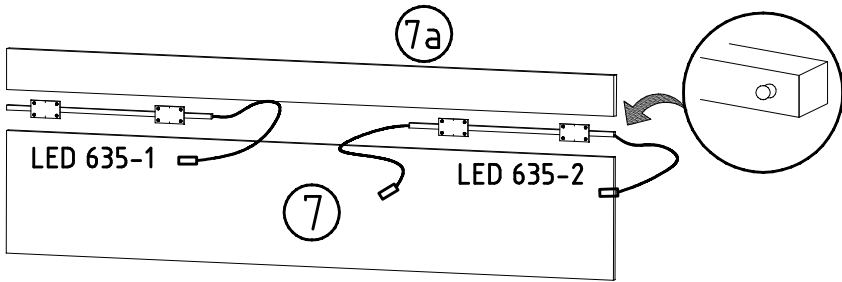
L600



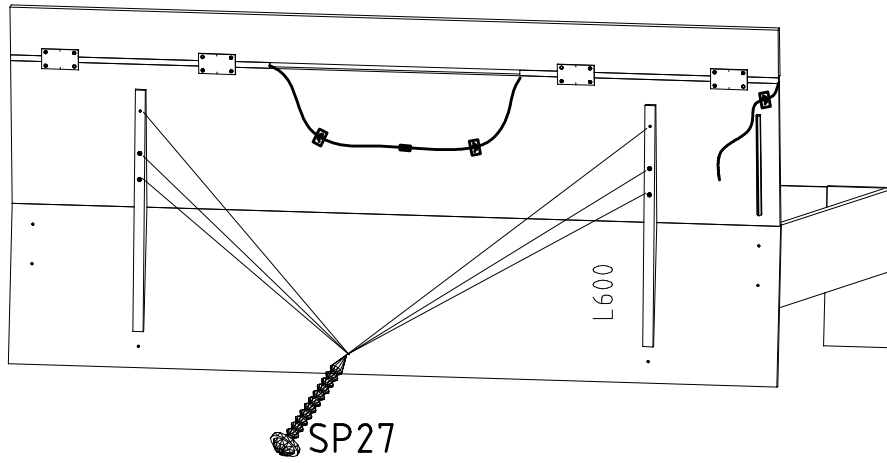
2



3

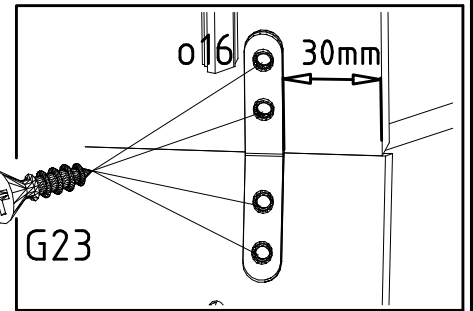
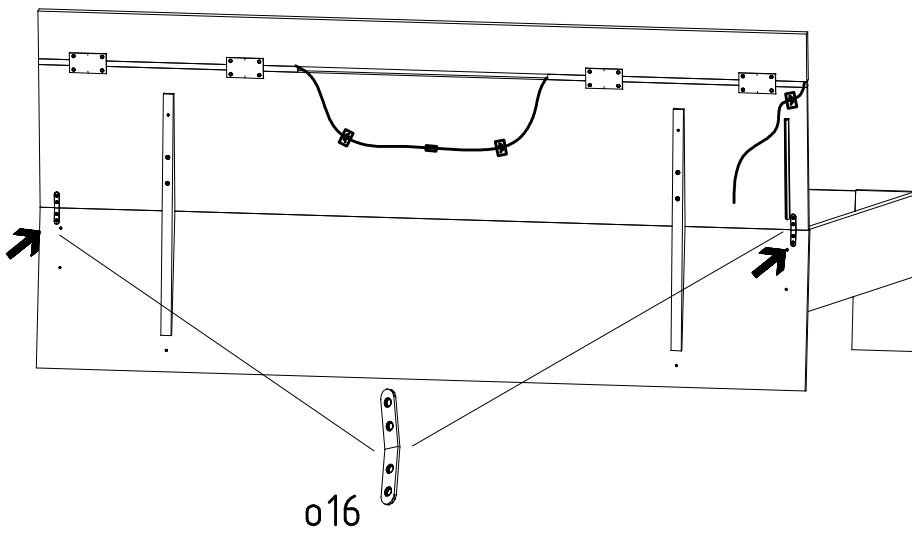


4



**SP27**  
4 X 27mm  
122620

5



4,0 x 15 mm **G23** **o16**  
121 110 111 004

6

