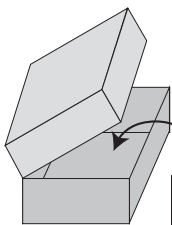
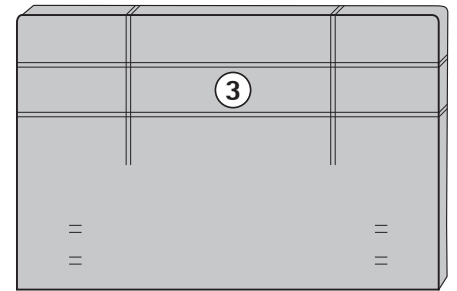
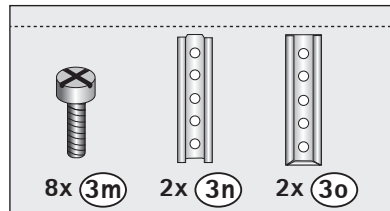
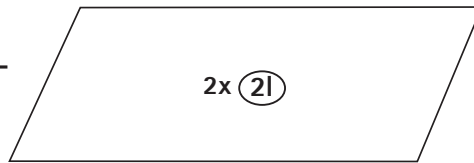
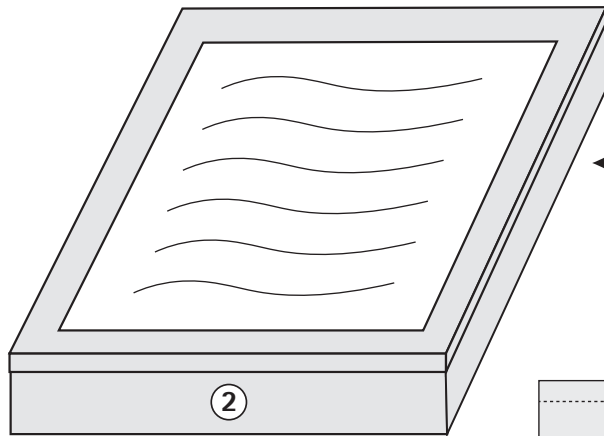
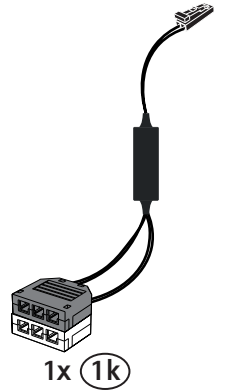
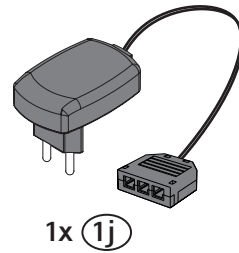
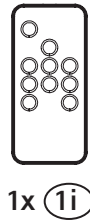
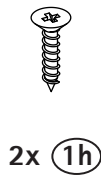
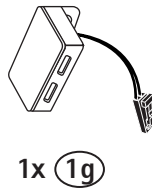
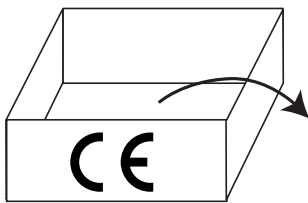
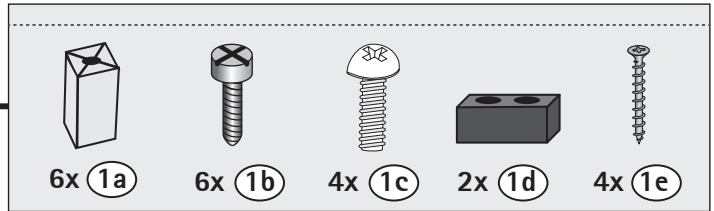
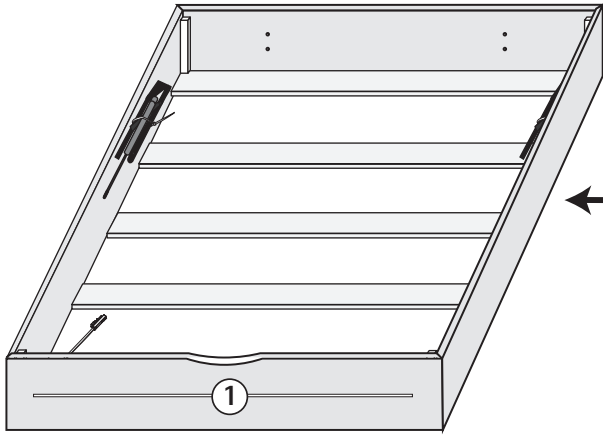
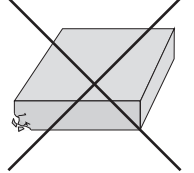
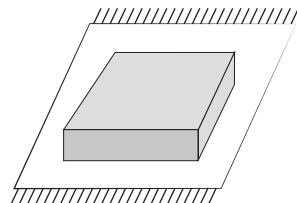
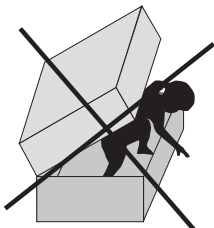




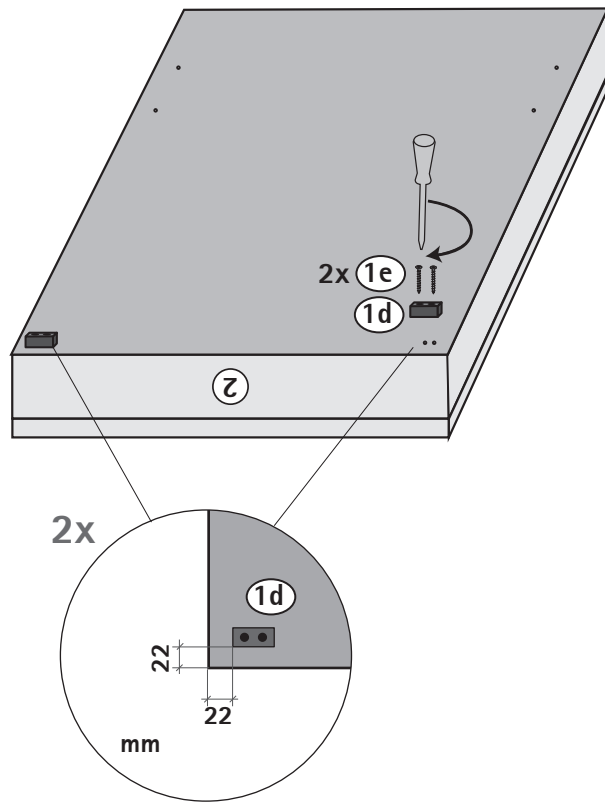
# BOXSPRING-SET



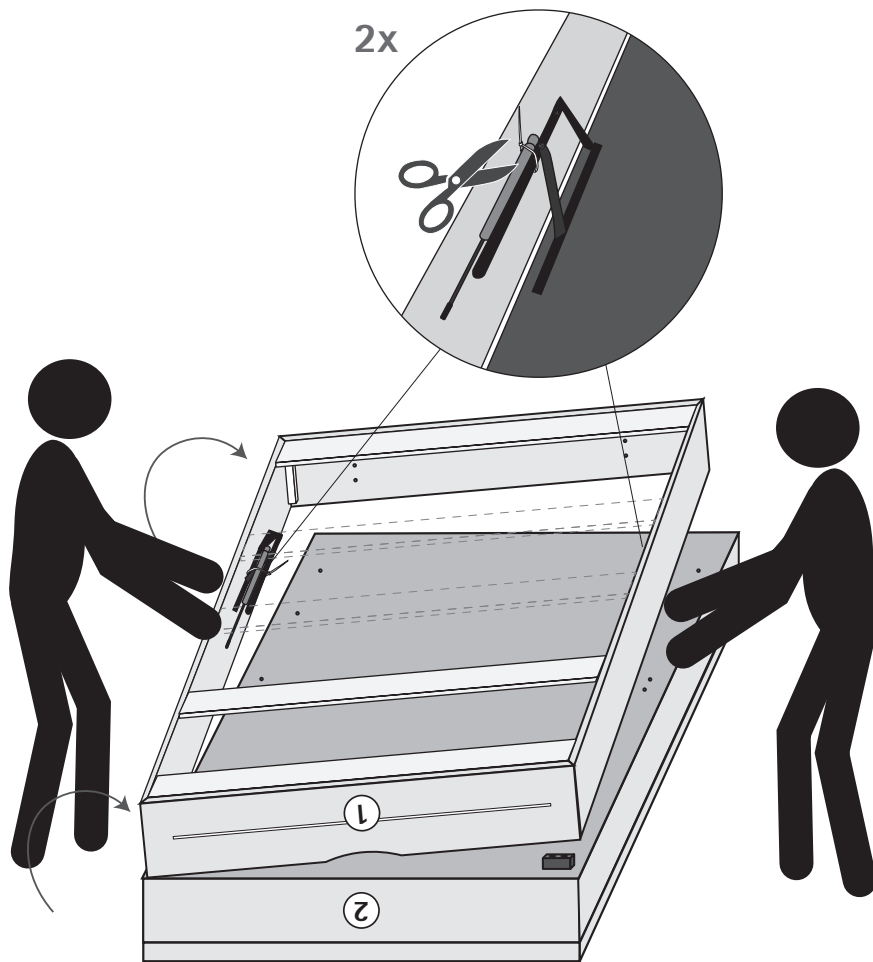
max.  
10kg



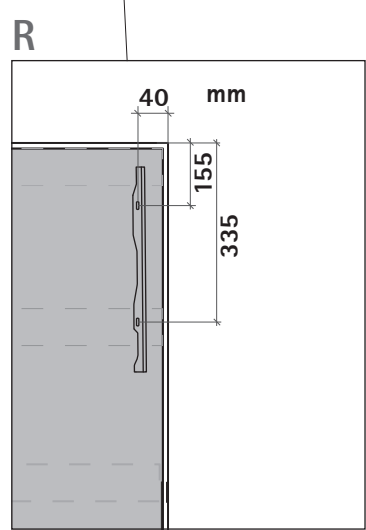
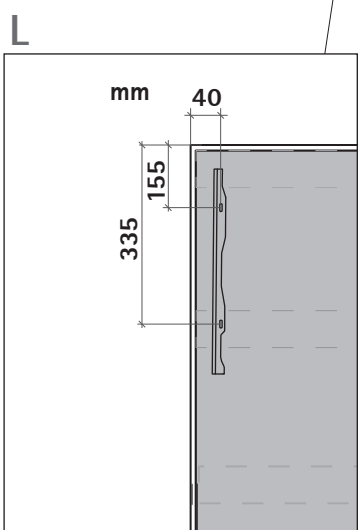
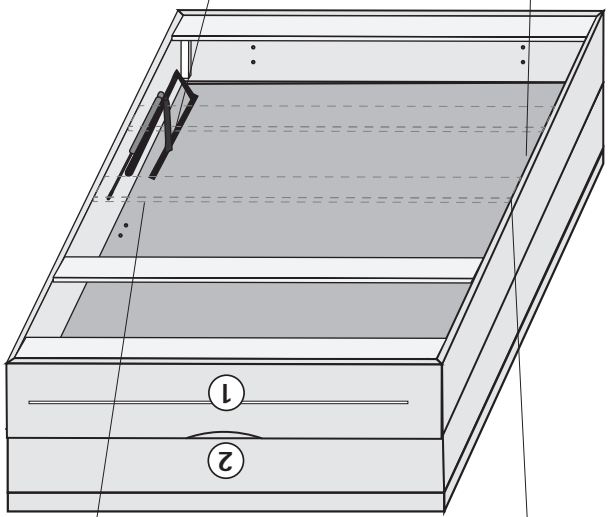
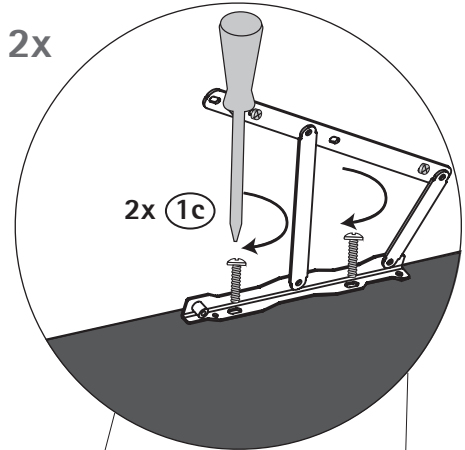
1.



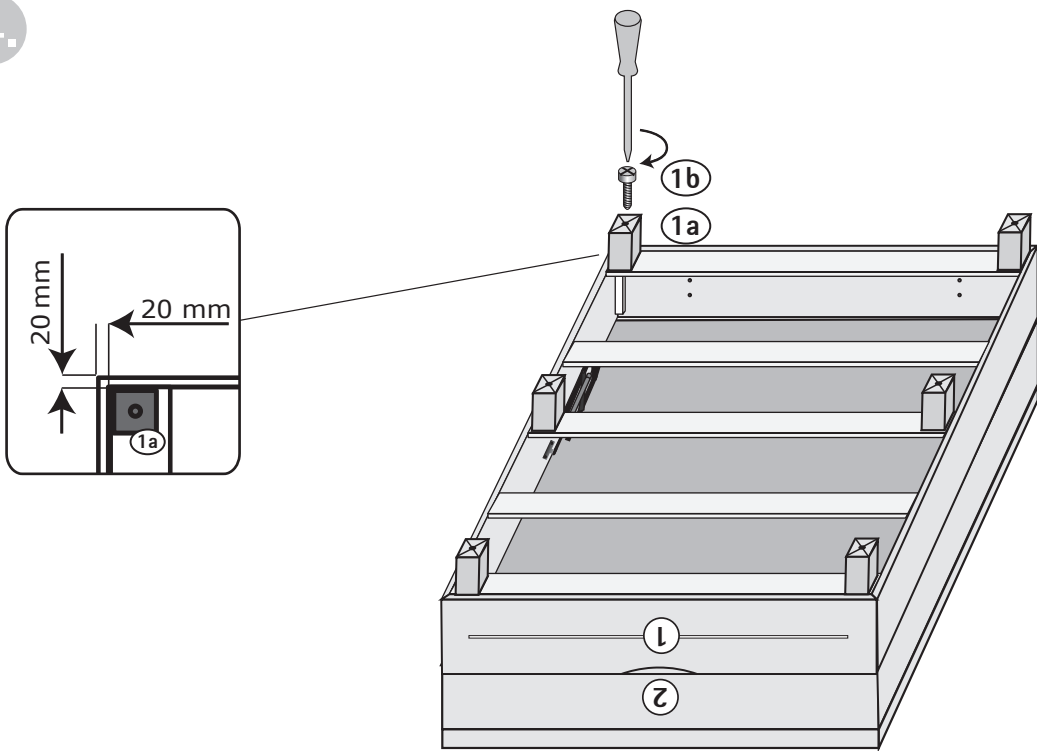
2.



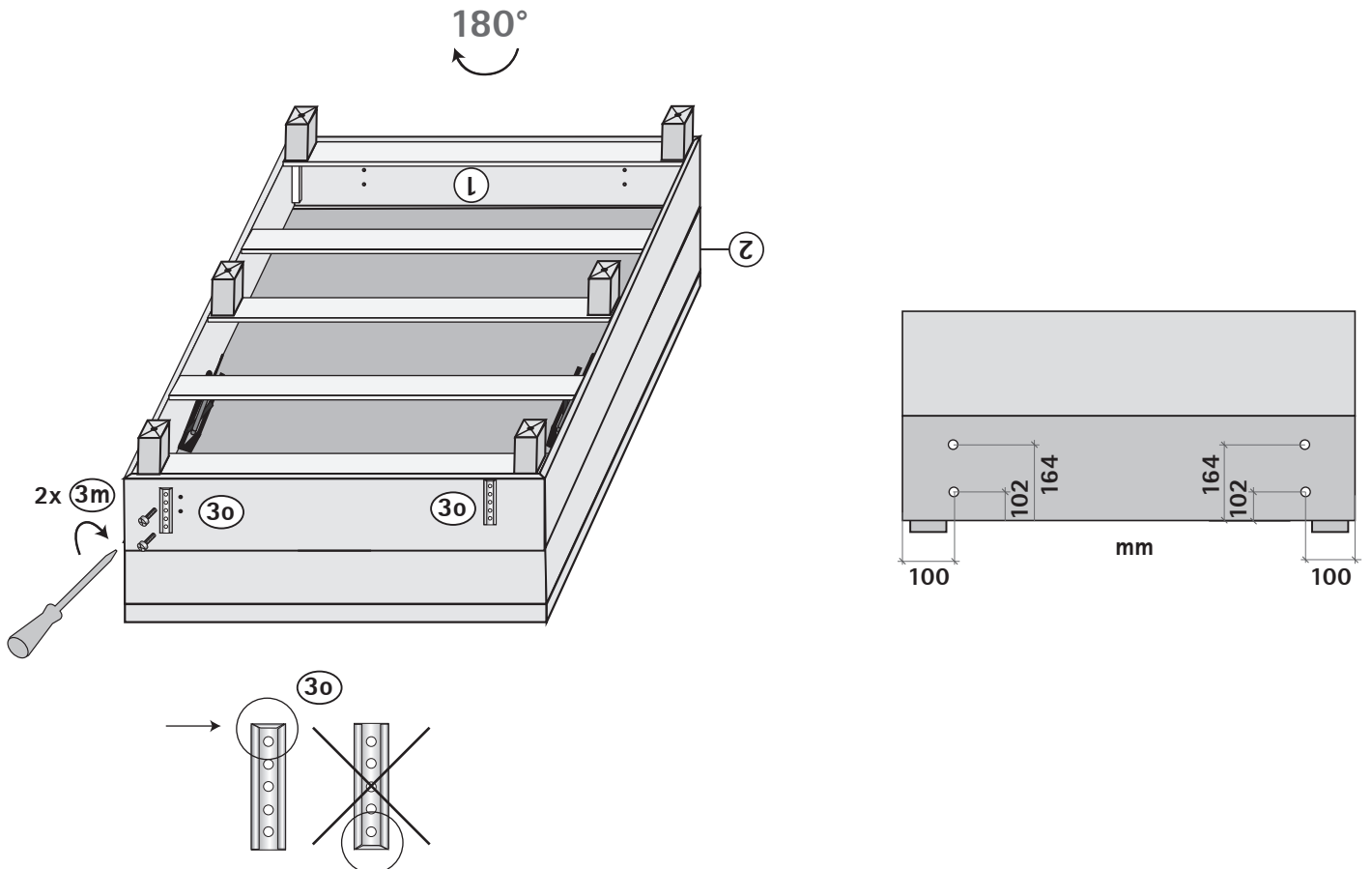
3.

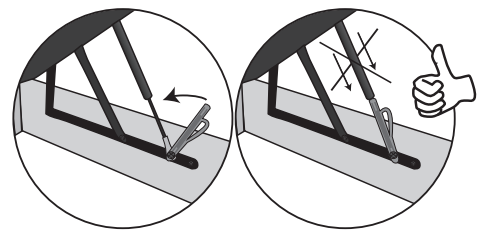
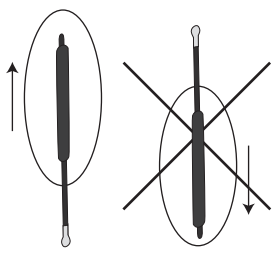


4.

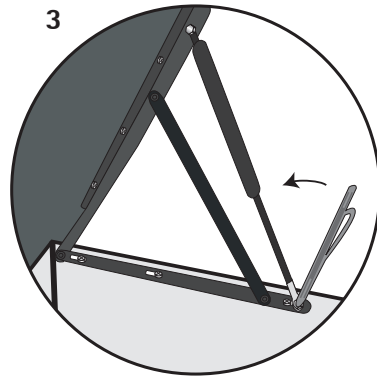
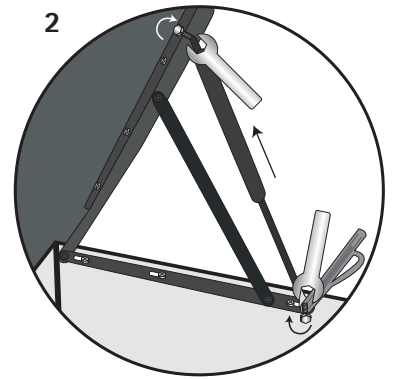
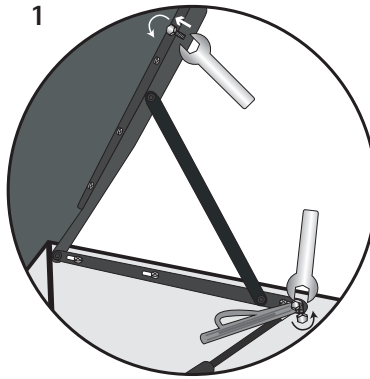


5.

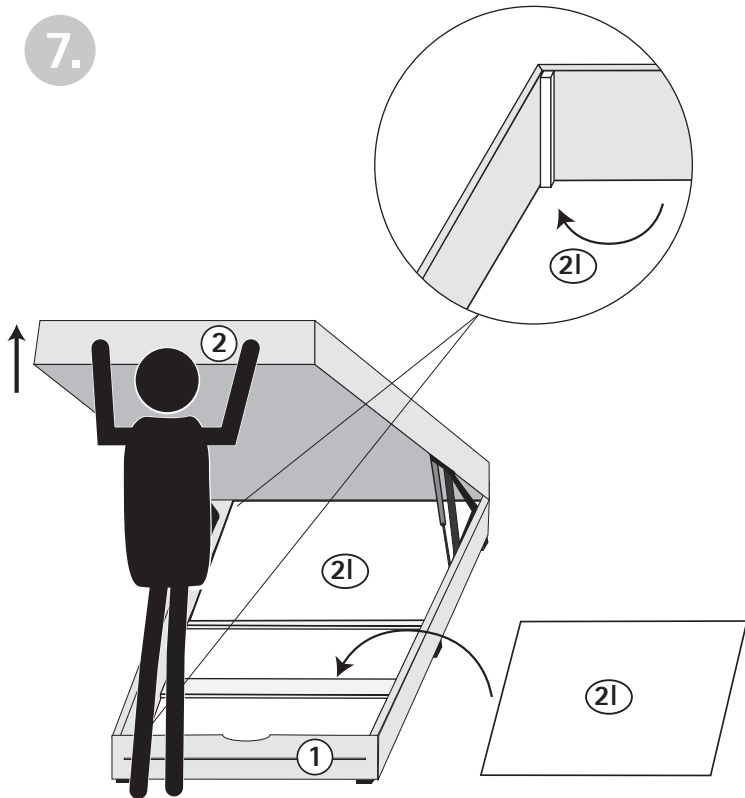




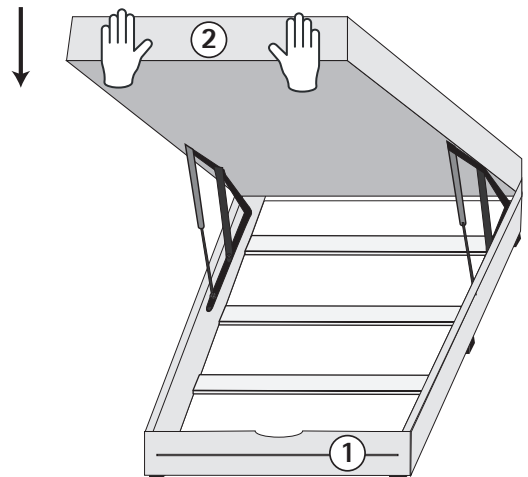
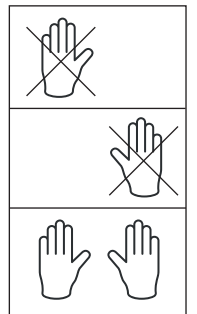
6.



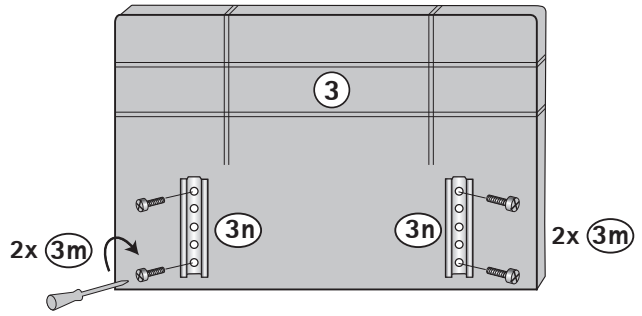
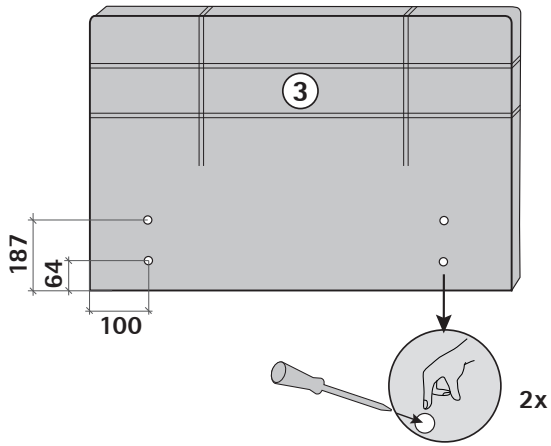
7.



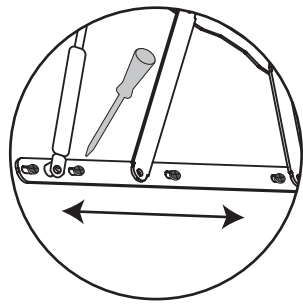
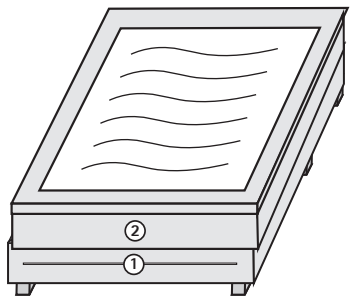
8.



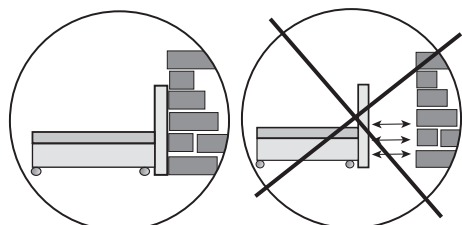
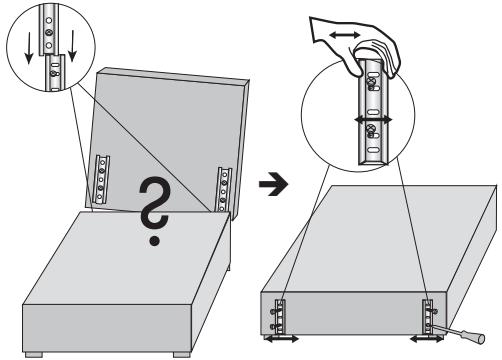
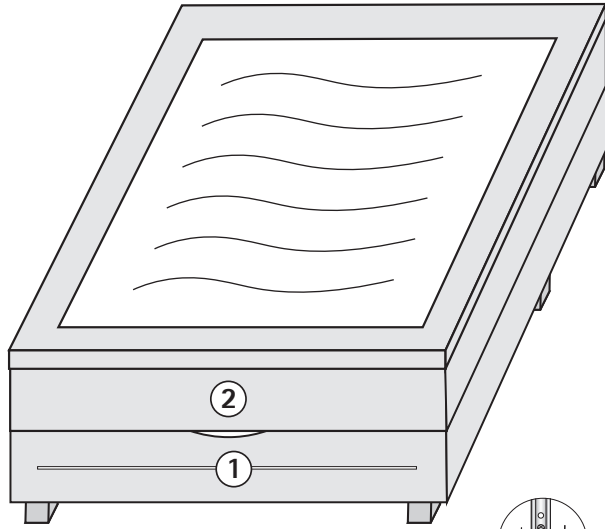
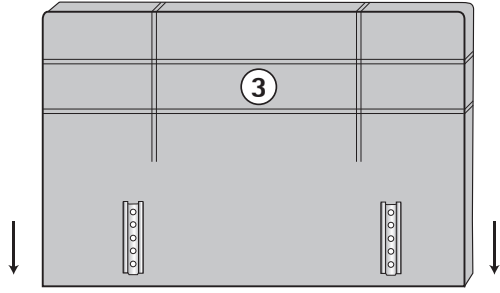
9.



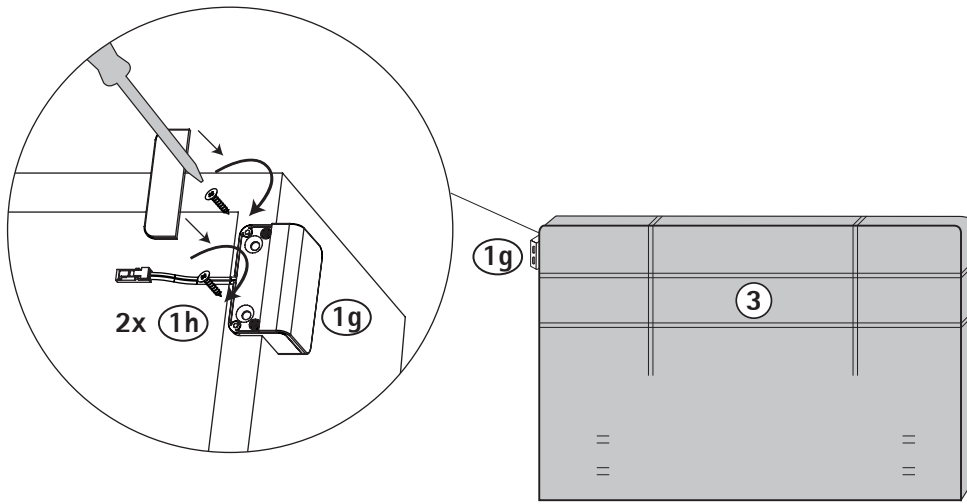
?



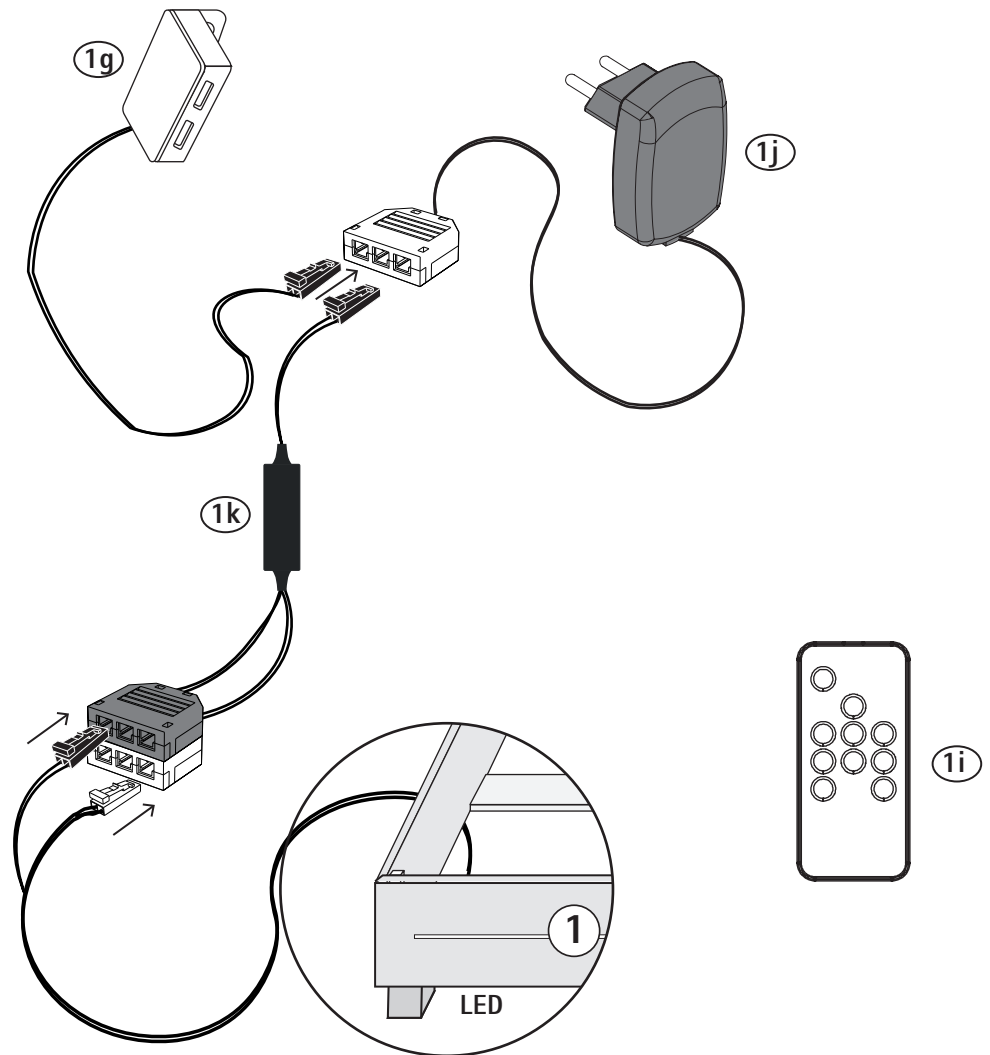
10.

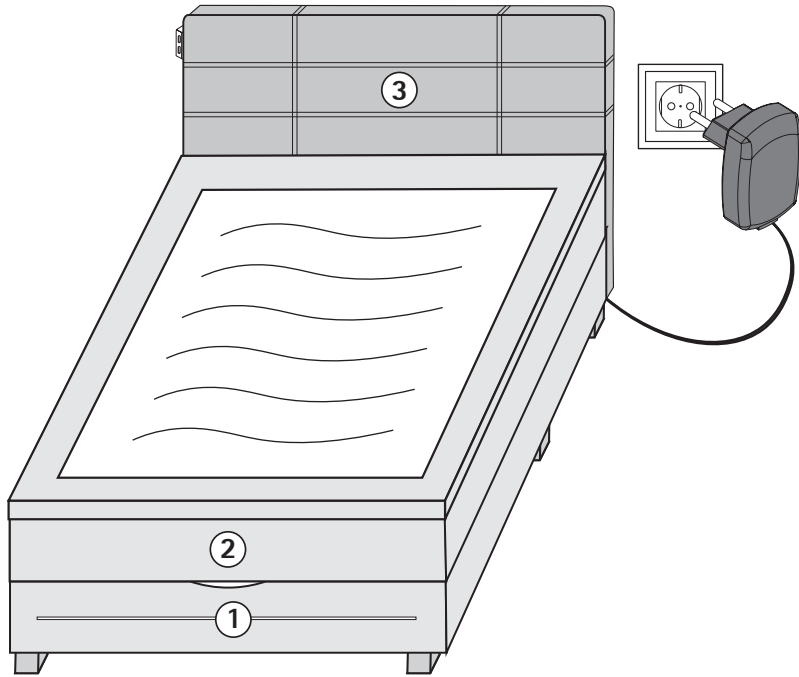


11.



12.





Recycling symbol → Screwdriver with '+' sign → !

→ Entsorgung Elektro E-Waste

→ Sperrmüll bulky waste