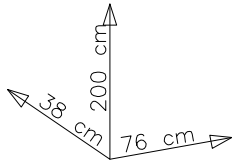
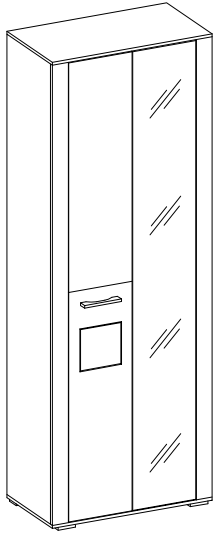
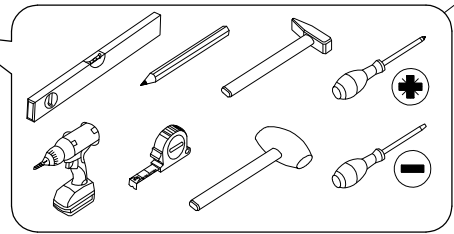
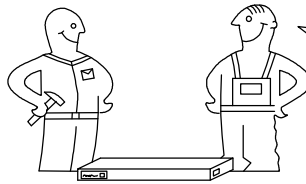
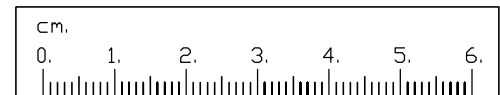
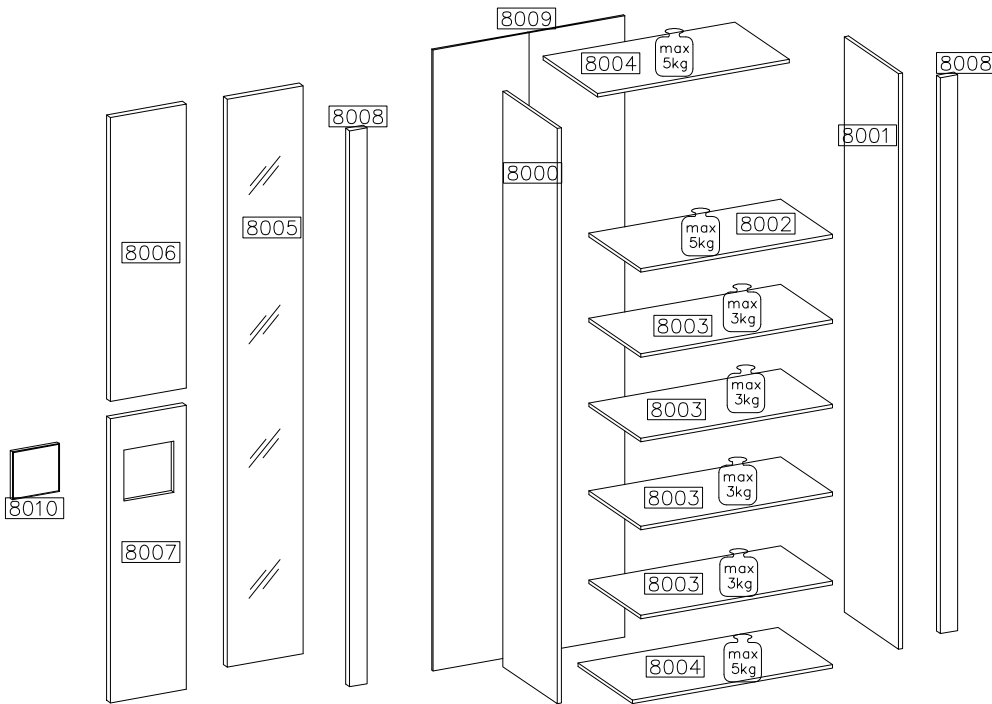
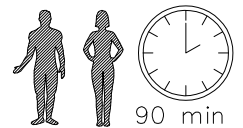
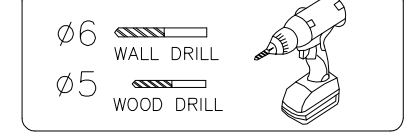
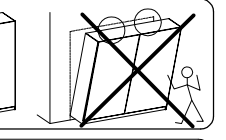
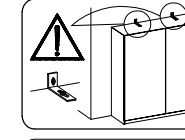
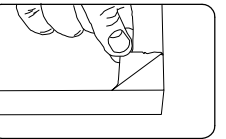
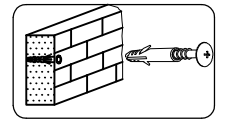
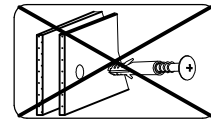
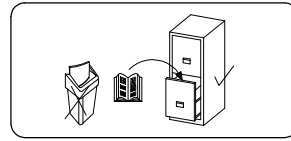
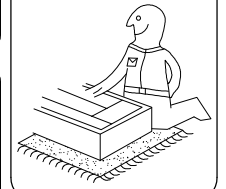
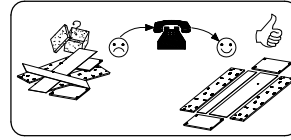
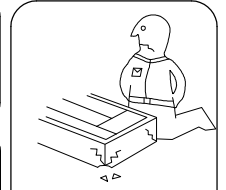
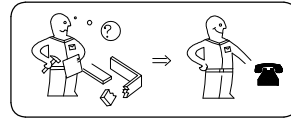


TIRA

30 E6 HH 01



#	ART. NR	L	W	T	Q	Col.No
1	8000	1936	355	16	1	3
2	8001	1936	355	16	1	3
3	8002	721	335	16	1	1
4	8003	721	335	16	4	1
5	8005	1930	308	16	1	2
6	8004	752	380	22	2	1
7	8006	965	308	18	1	2
8	8007	965	308	18	1	2
9	8008	1936	64	22	2	3
10	8009	1951	368	2,5	2	3
11	8010	211	211	16	1	1



 A	 A1	 B	 C	 D1	 E	 E1	 G9	 H4	 G11	 F4
12	2	8	6	6	6	8	8	8	2	4
 F9	 L	 O	 P1	 P4	 P9	 R2	 P3	 P8	 K5	 N
12	14	1	6	5	16	2	16	52	1	1
 J4	 S1	 Z								
16	1	1	1							

1

∅8x30mm



A

4



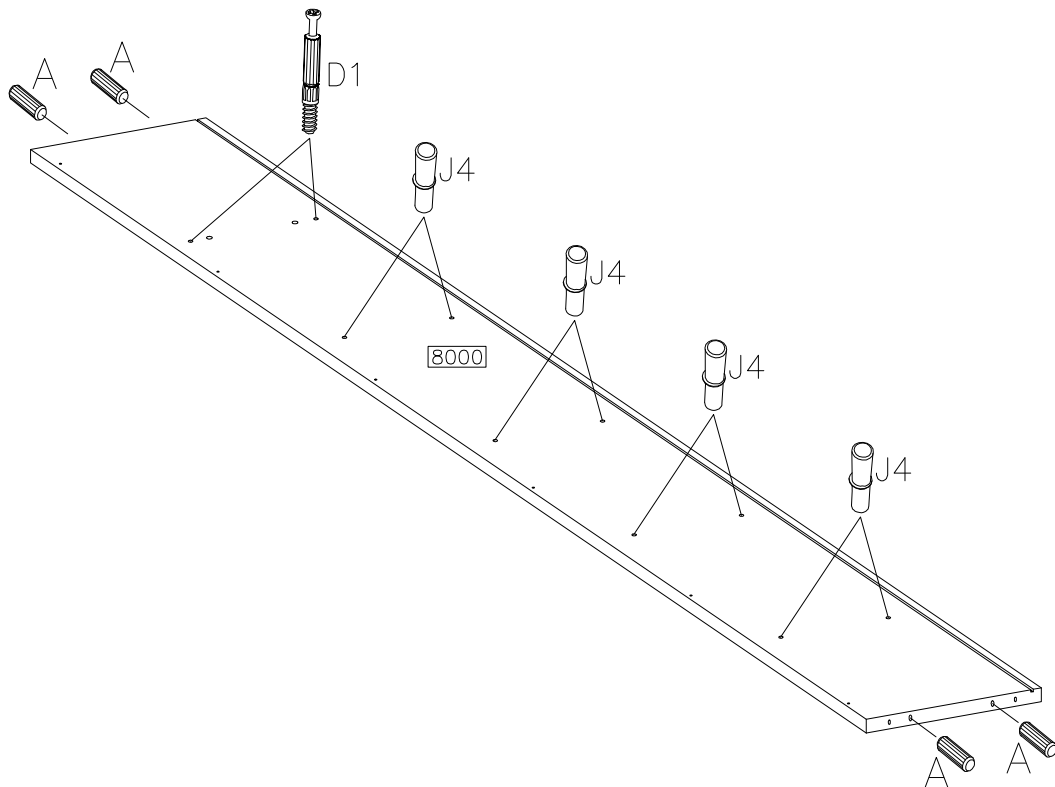
J4

8



D1

2



2

∅8x30mm



A

4

∅4.0x16mm



P8

24

H=2



H4

8



J4

8



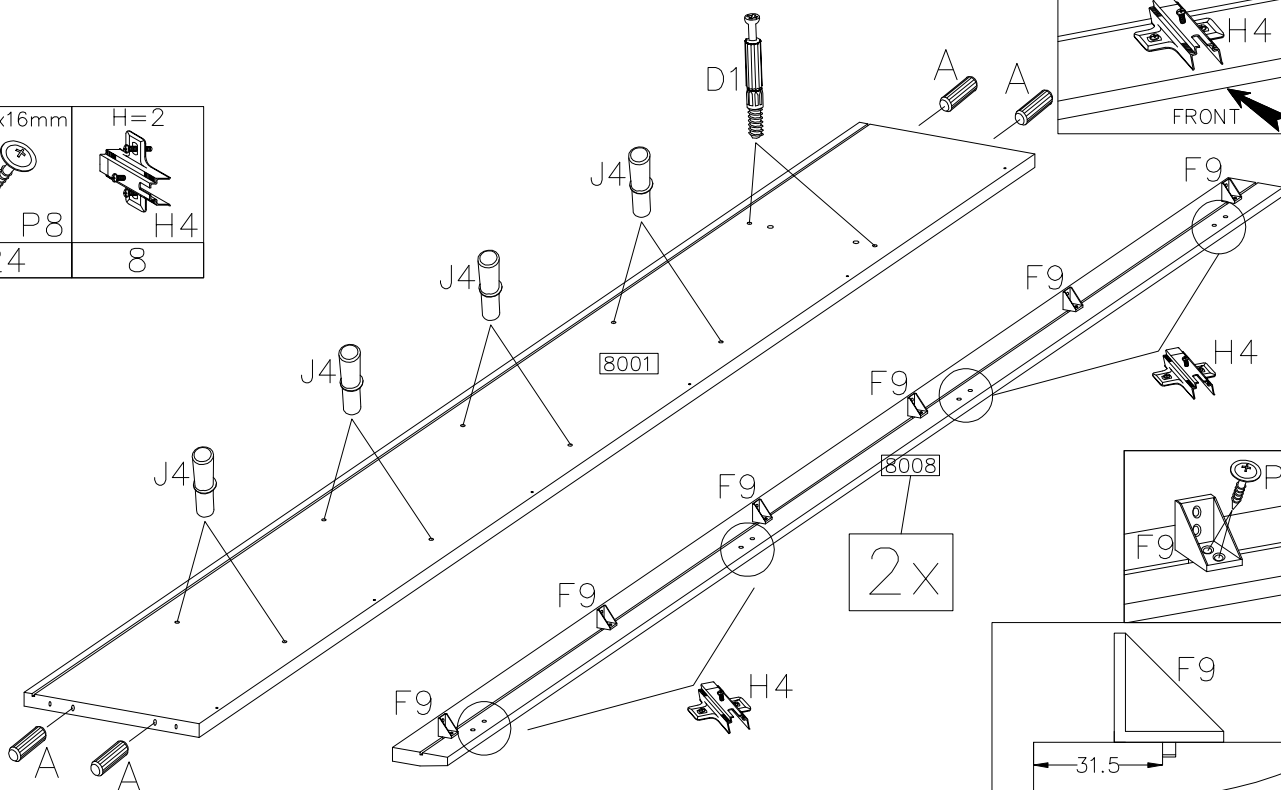
D1

2



F9

12



3

∅8x30mm



A

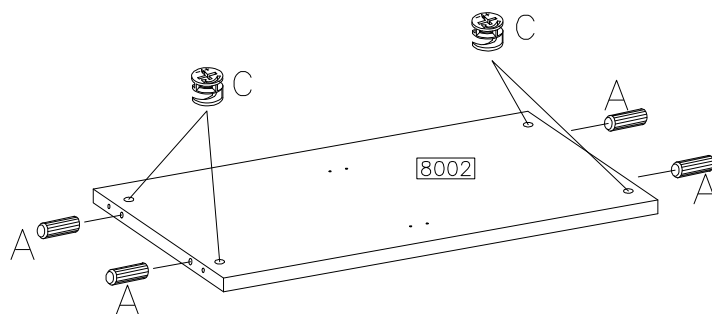
4

∅15/12mm



C

4



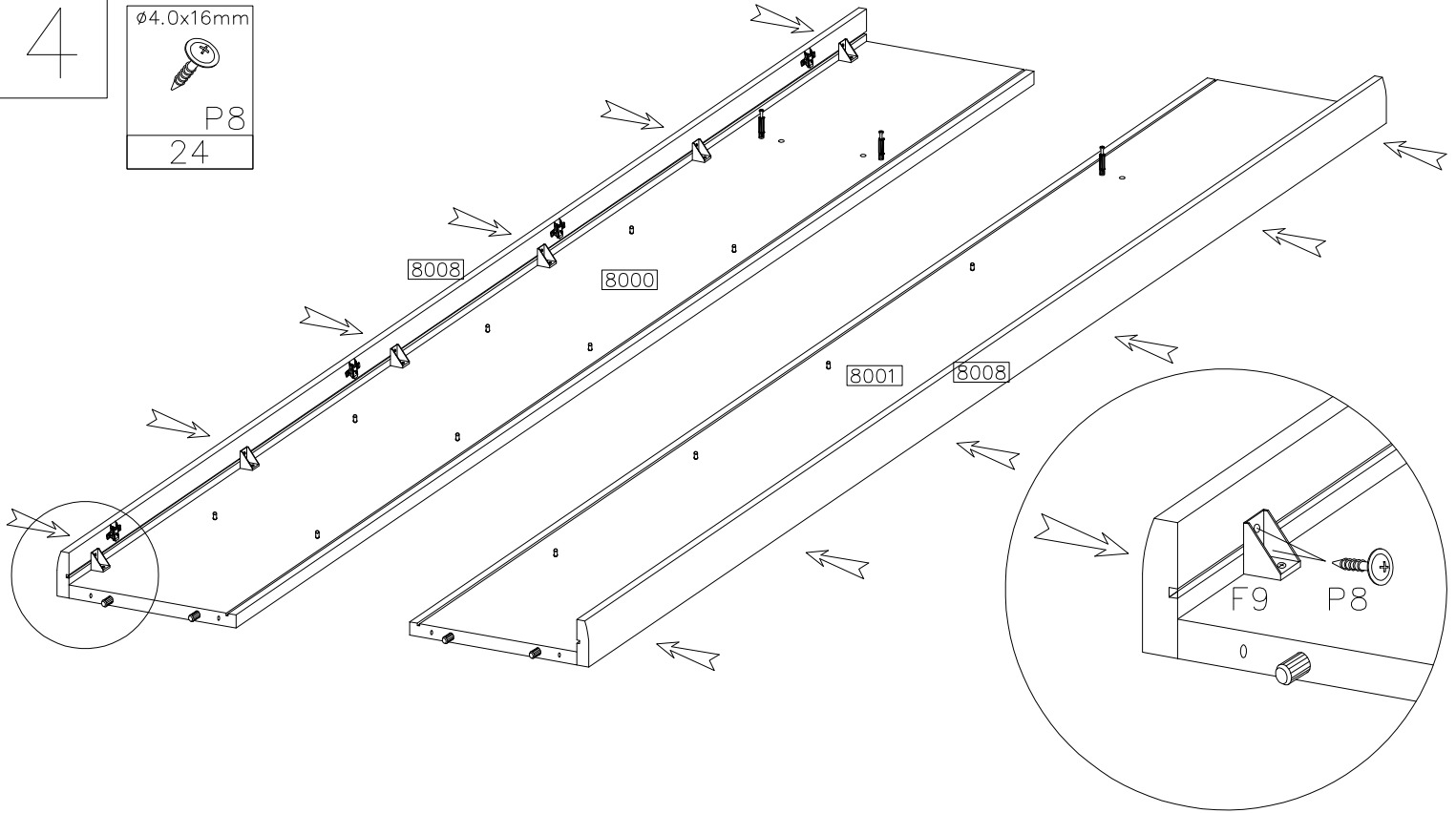
4

∅4.0x16mm

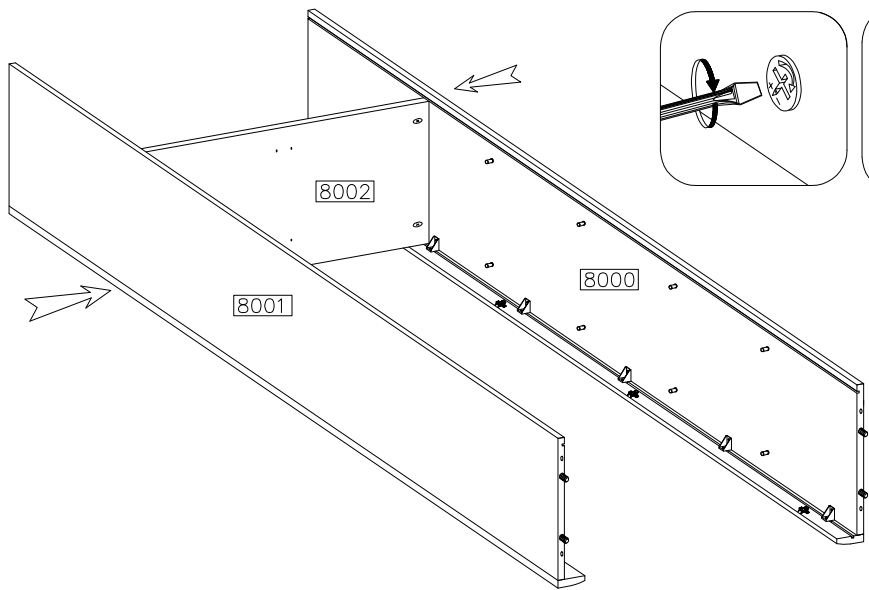
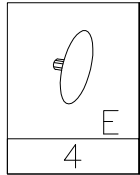


P8

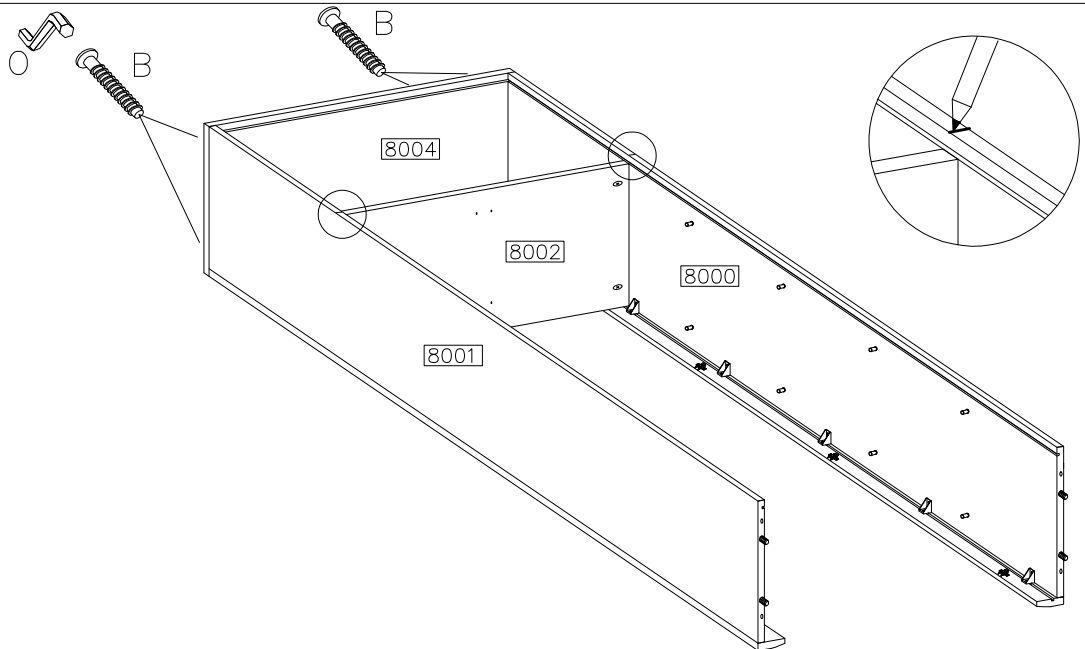
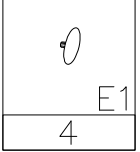
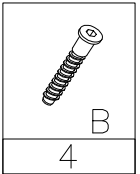
24



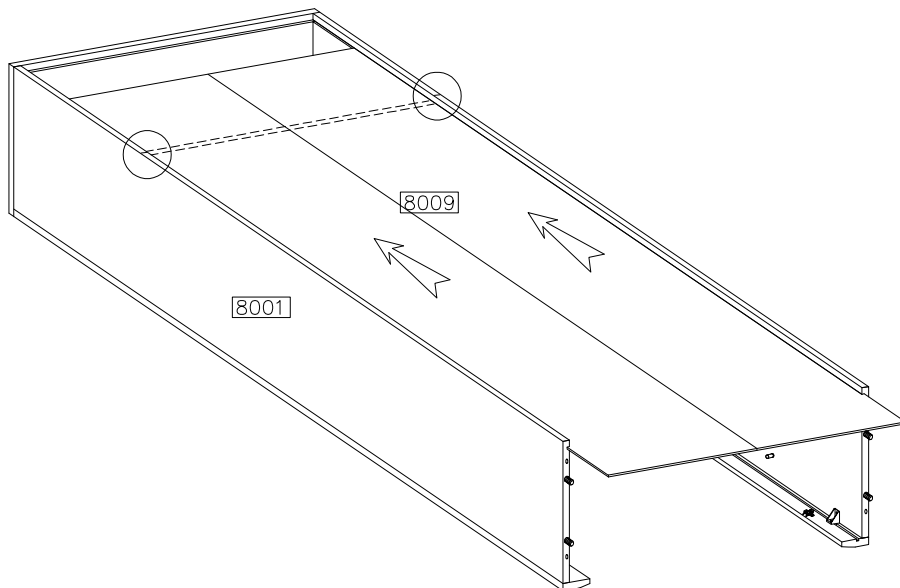
5



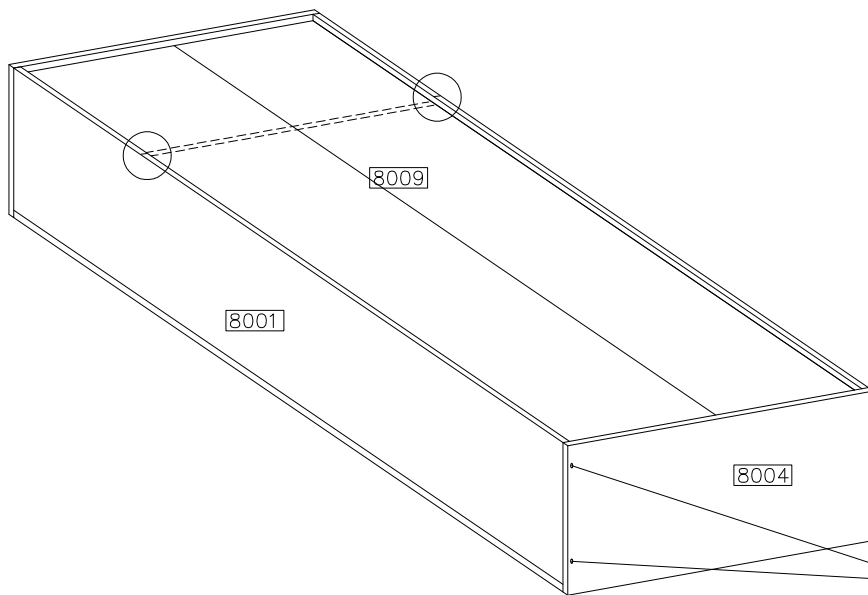
6



7



8



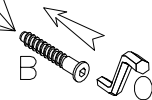
B

4



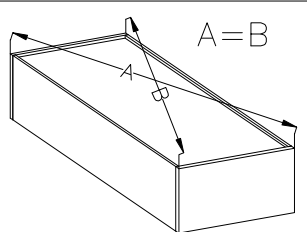
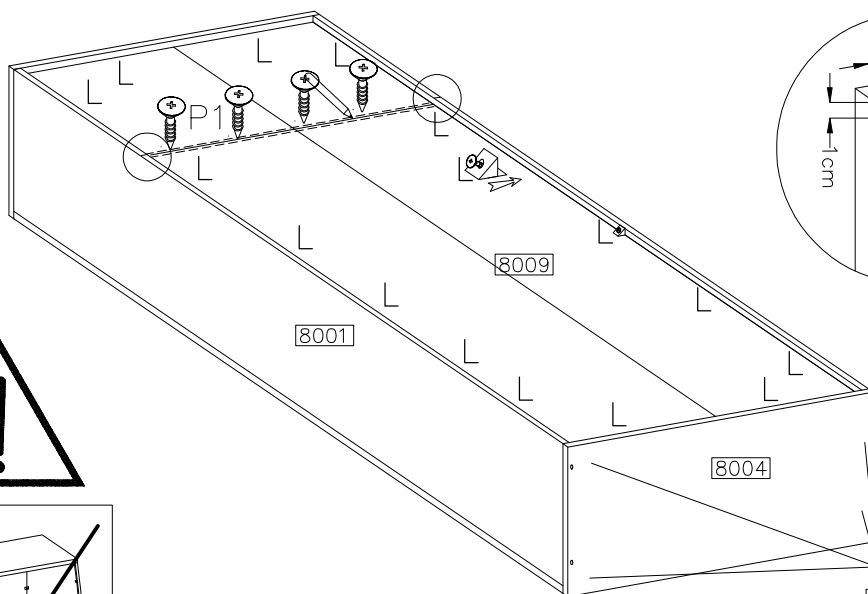
E1

4

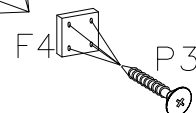
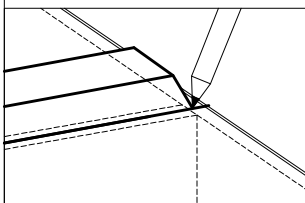
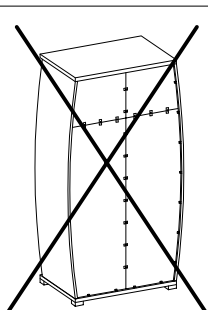


9


L	F4
14	4
$\varnothing 3.0 \times 16 \text{mm}$	$\varnothing 4.0 \times 30 \text{mm}$
P1	P3
6	16

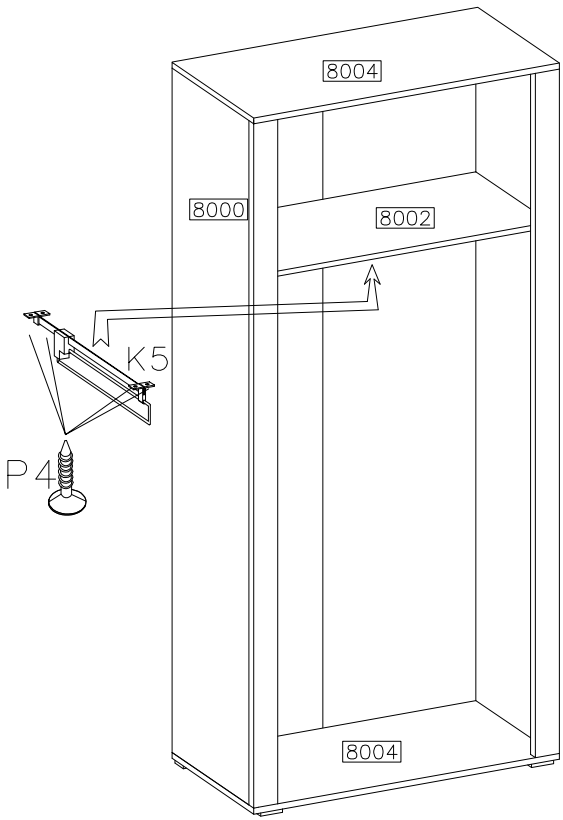


A=B

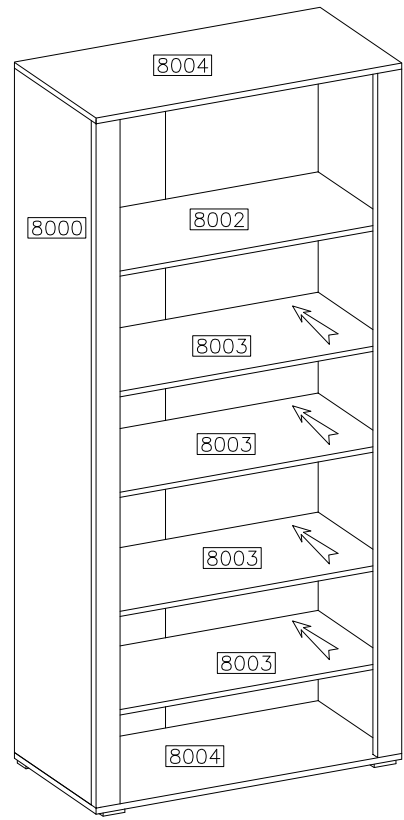


10A

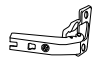




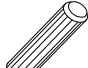



	ø3.5x16mm
K5	P4
1	4

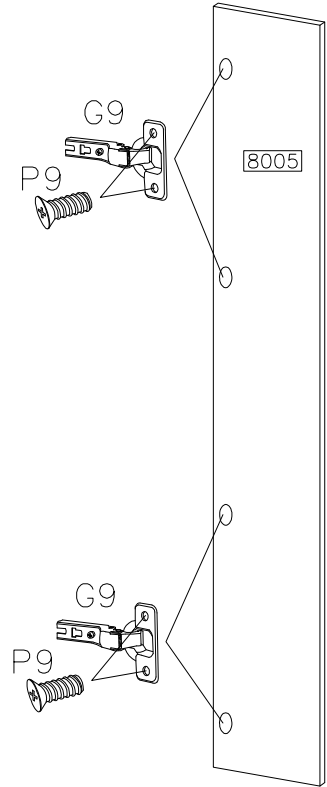
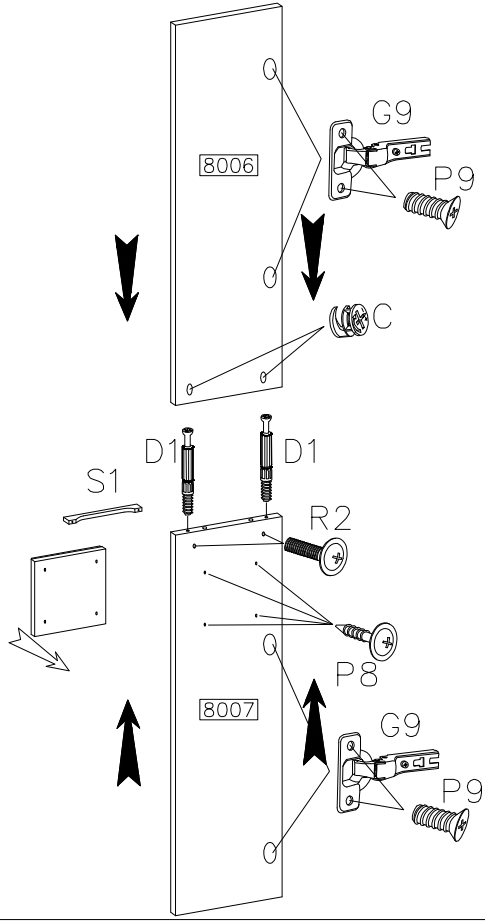


10B

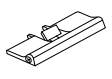



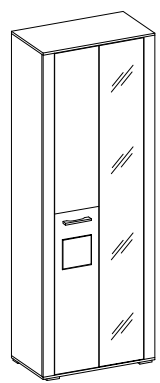
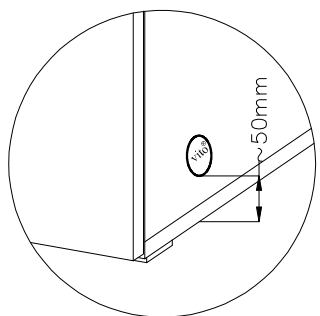
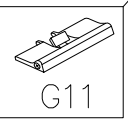
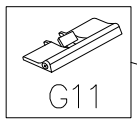
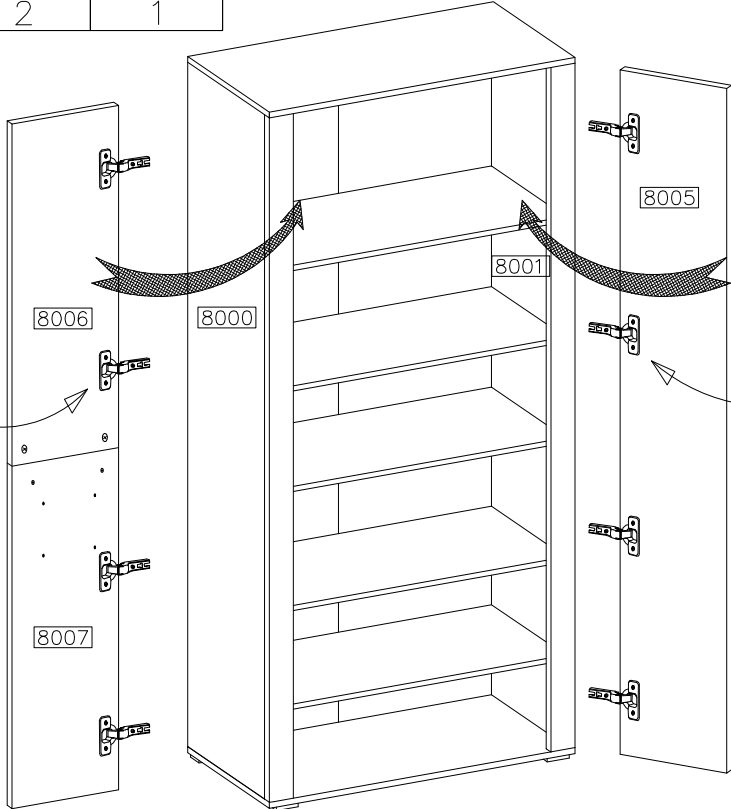
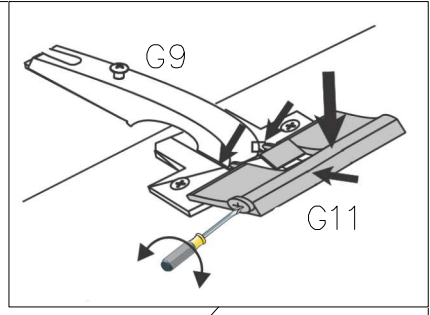
11

ø35/KR-90	ø5.0x13mm		M4.0x22mm	ø4.0x16mm	ø8x40mm		ø15/12mm	
								
G9	P9	S1	R2	P8	A1	D1	C	E
8	16	1	2	4	2	2	2	2

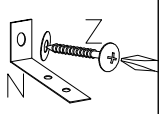
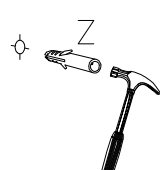
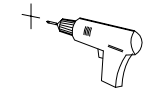
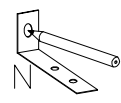
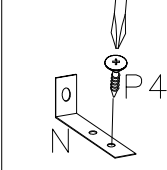
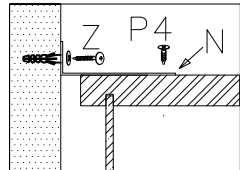


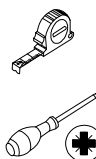


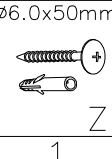

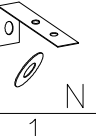
12

	
G11 2	1



13



					
1			1	1	1

