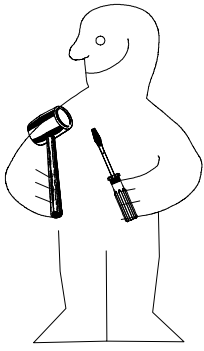
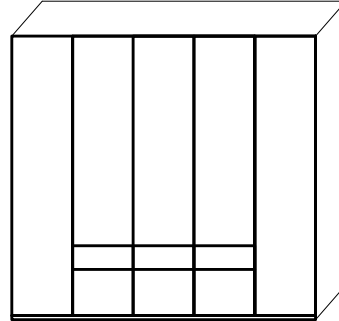
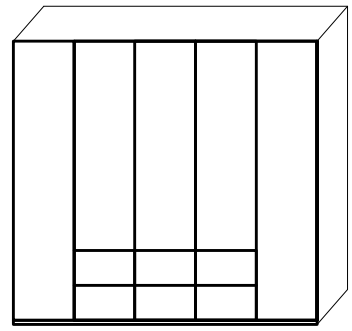


980571

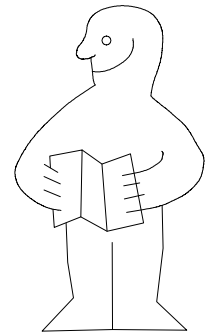
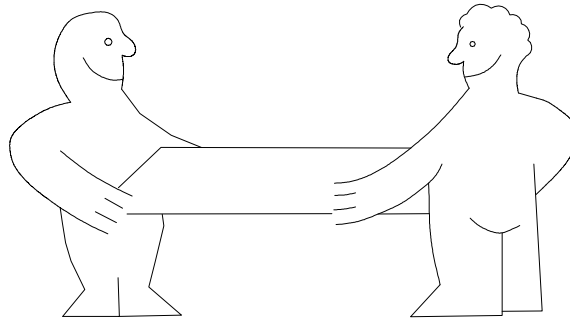
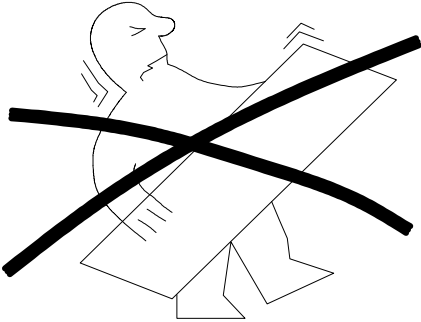


A

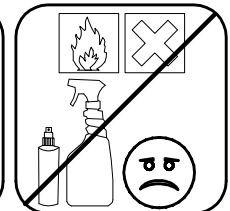
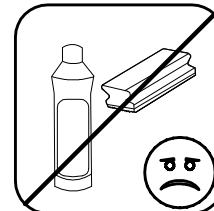
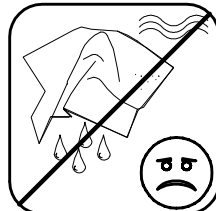
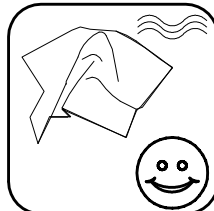
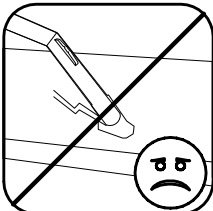
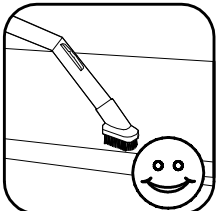
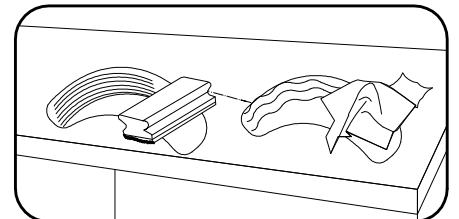
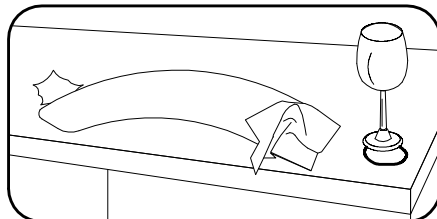
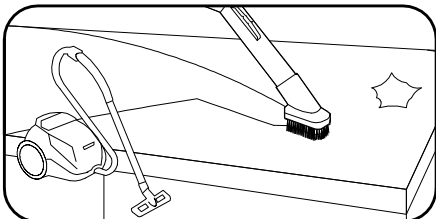
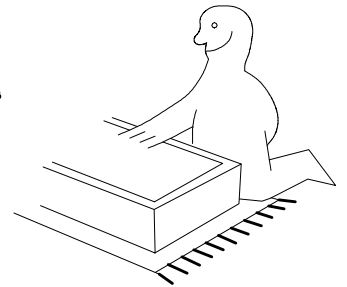
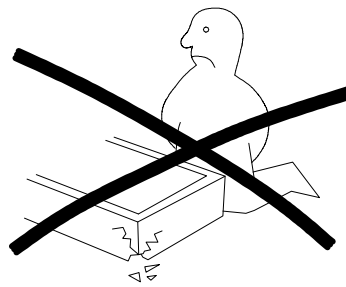
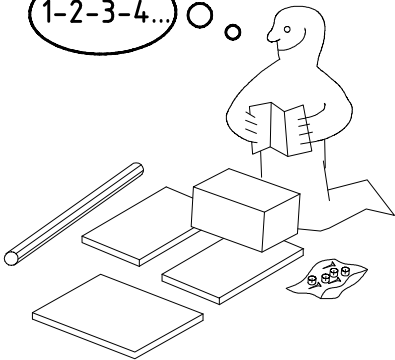


B

NSP 225



1-2-3-4... ○ ○







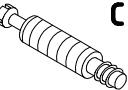
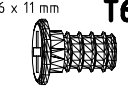

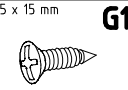
980571

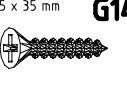

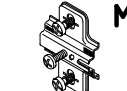
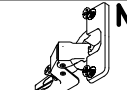
25.10.12 / 09.09.13

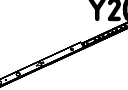
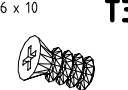
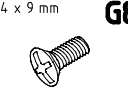

09 13


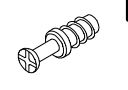
1/12

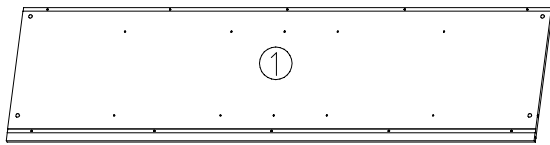
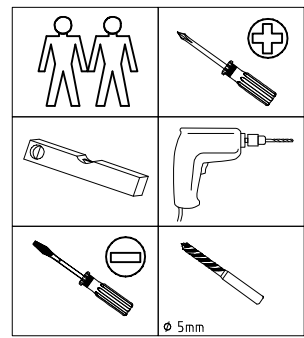
	A	20x
	L7	16x
	J1	6x
	K1	4x

	C	20x
	T6	6x
	K20	2x
	G1	10x

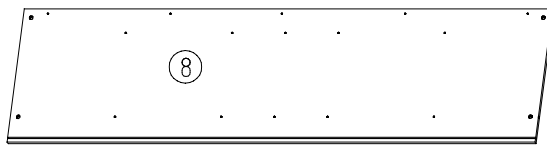
	G14	10x
	VB23	12x
	M	15x
	N	15x

	Y20	12x
	T3	24x
	G8	12x
	Z	5x

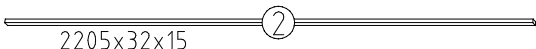
	E	4x
	F	4x



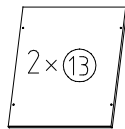
2205x560x15



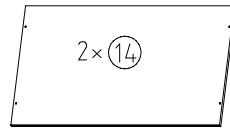
2205x560x15



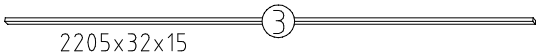
2205x32x15



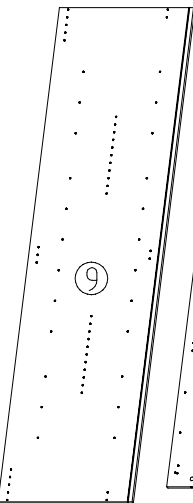
2x ⑬ 429x500x18



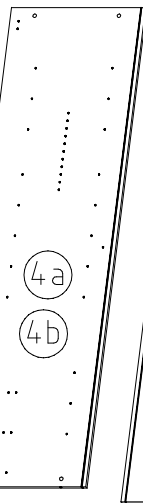
2x ⑭ 873x500x18



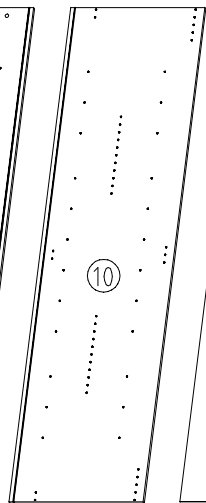
2205x32x15



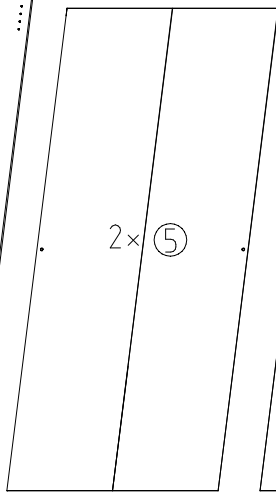
2064x560x15



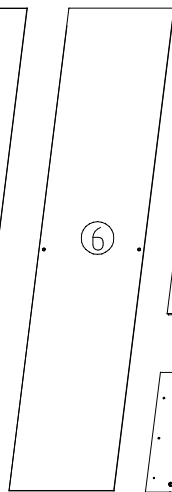
2001x560x15



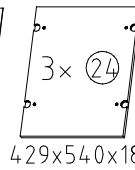
2064x560x15



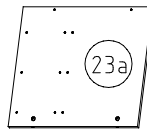
2015x882x2,5



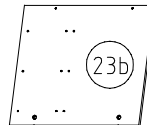
2015x438x2,5



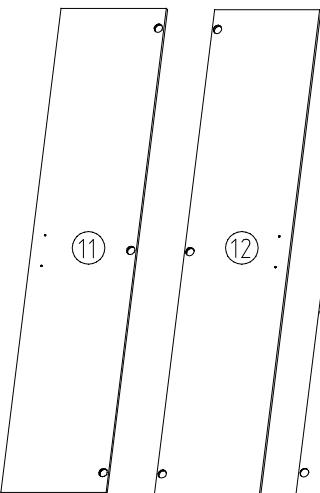
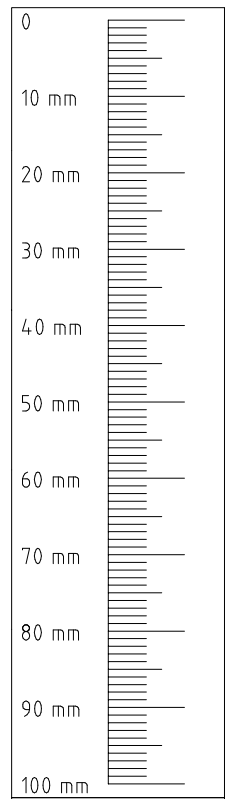
3x ⑳ 429x540x18



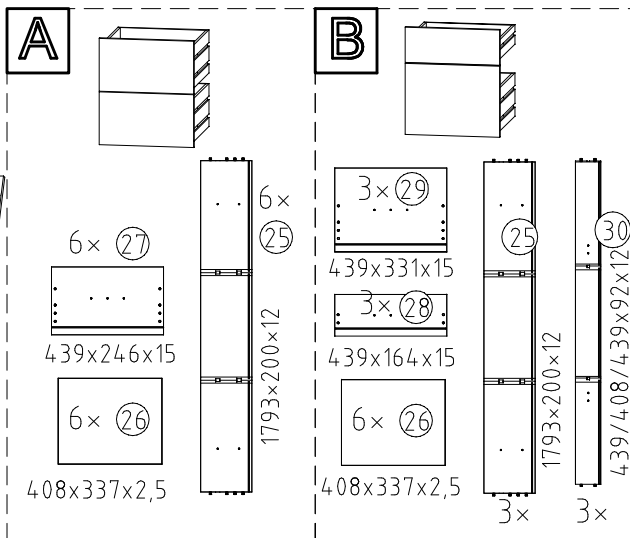
540x505x15



540x505x15

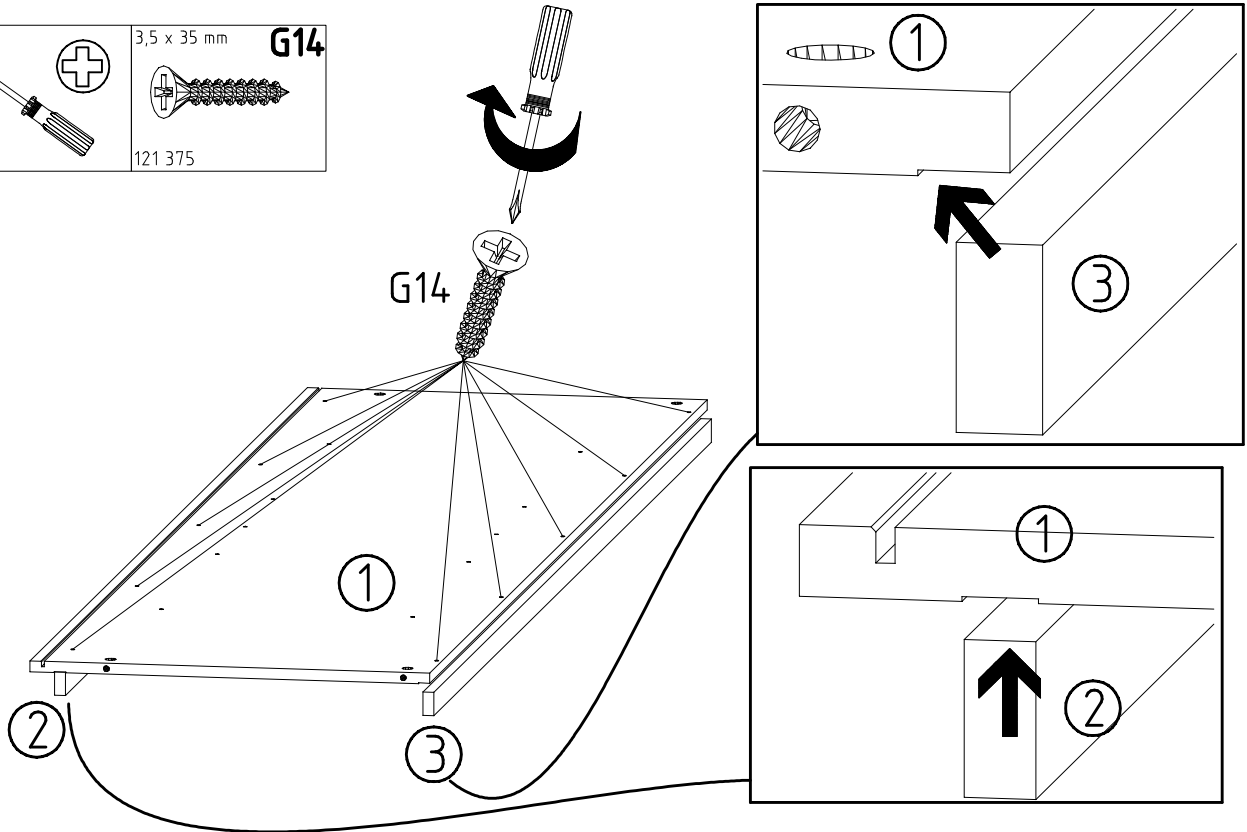
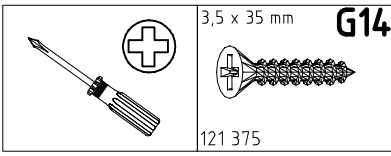


2021x439x15 2021x439x15 1518x439x15 1518x439x15

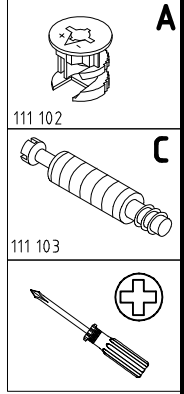
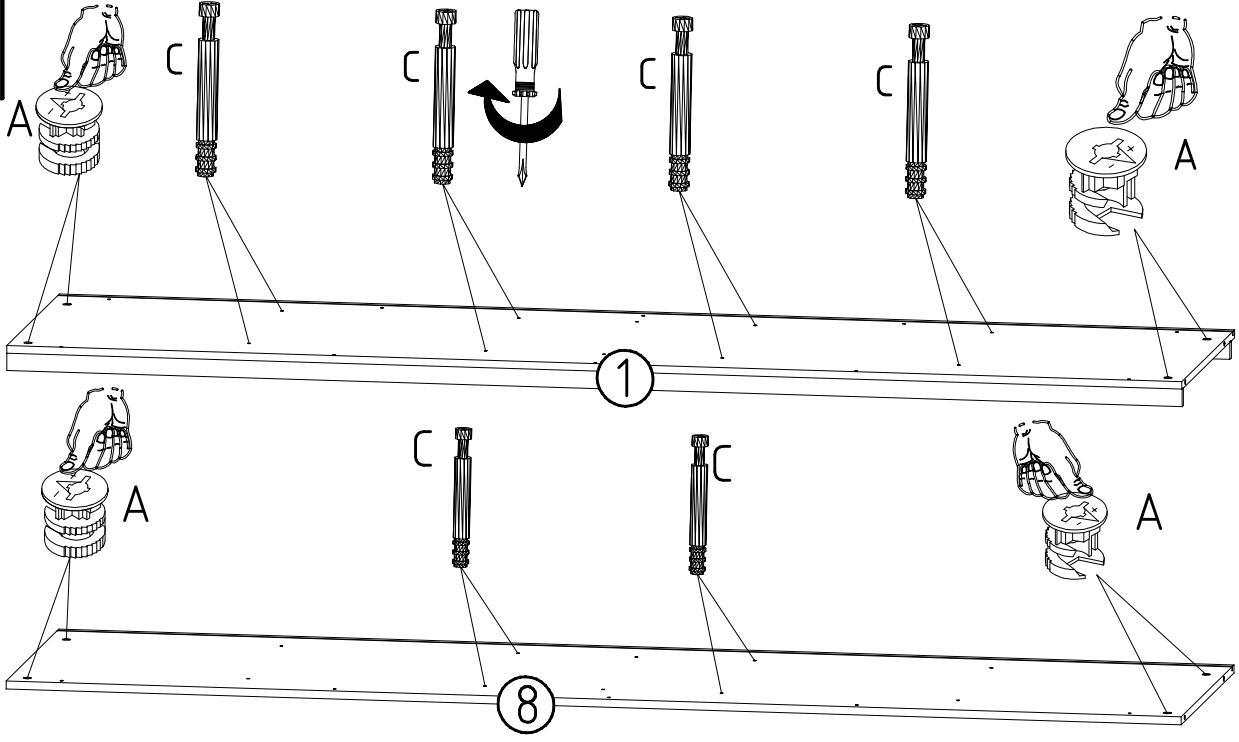


408x337x2,5

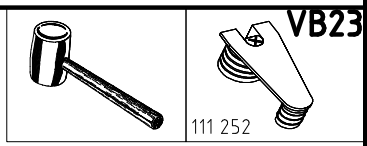
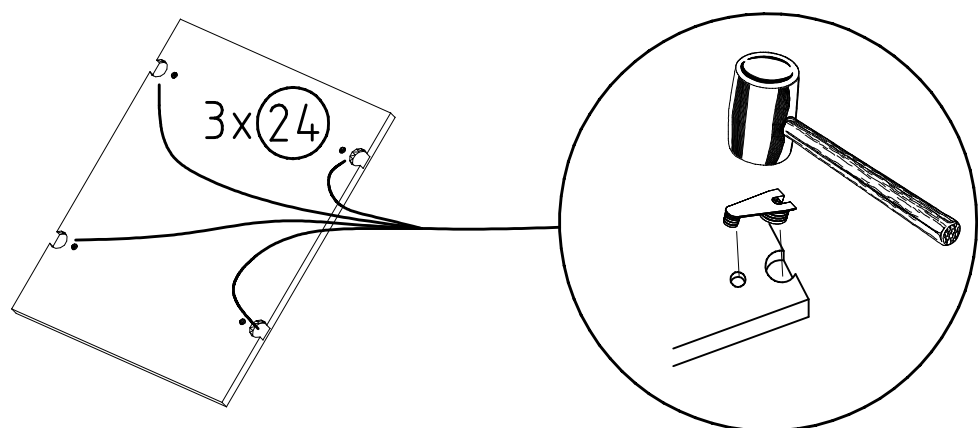
1



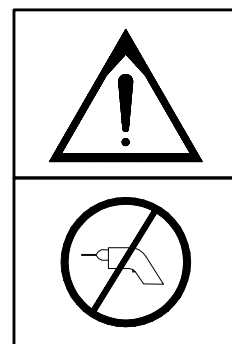
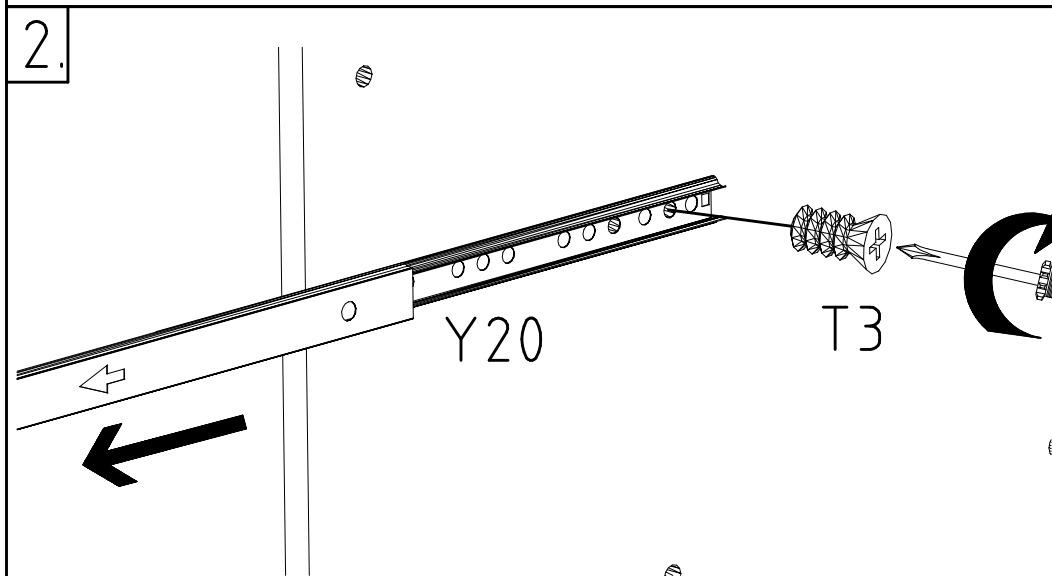
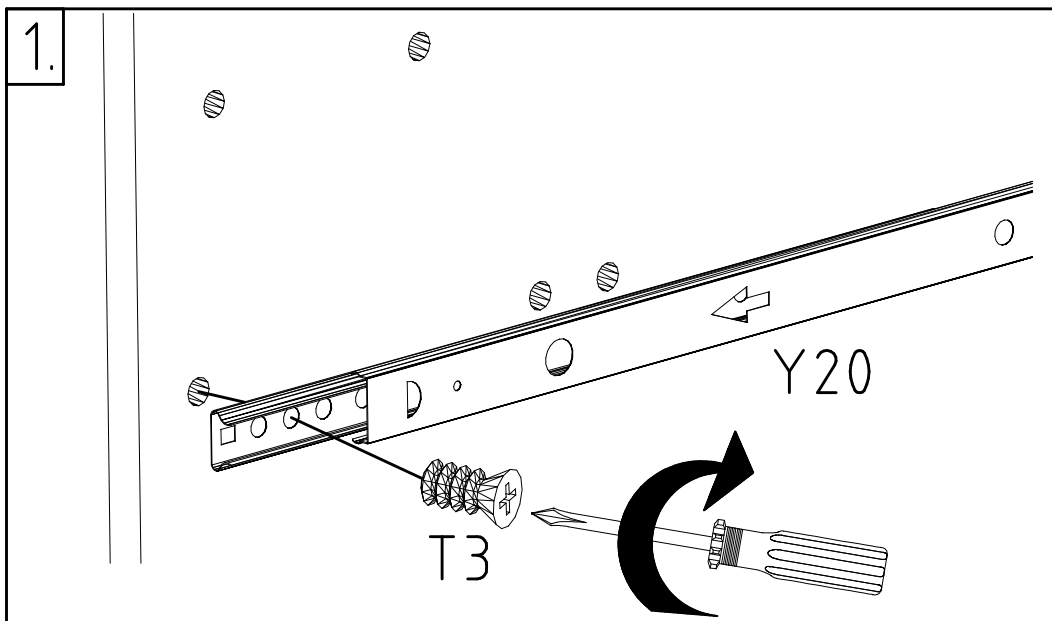
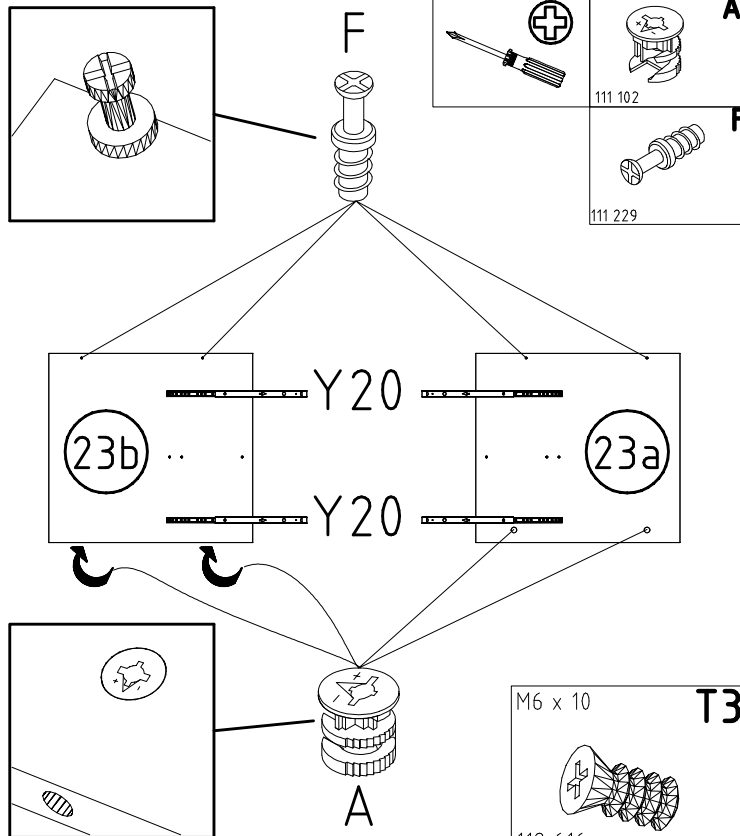
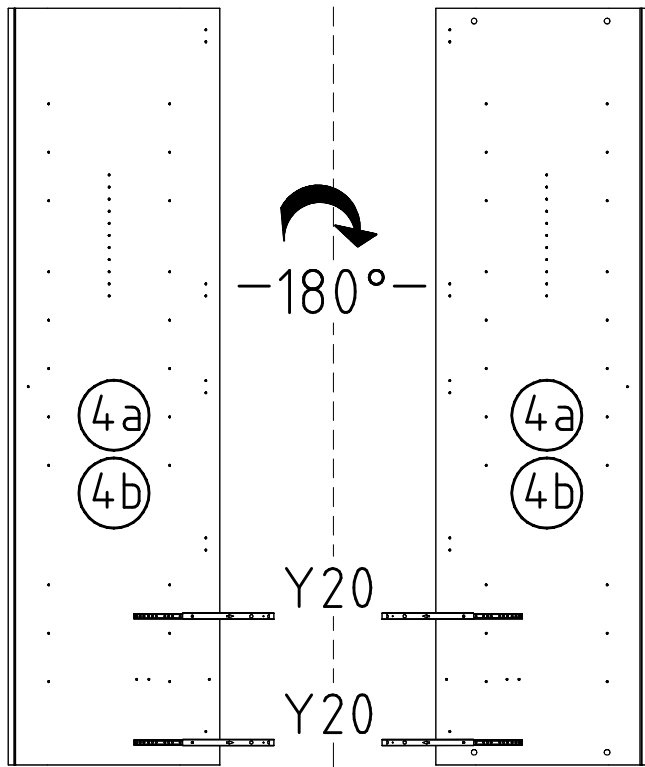
2



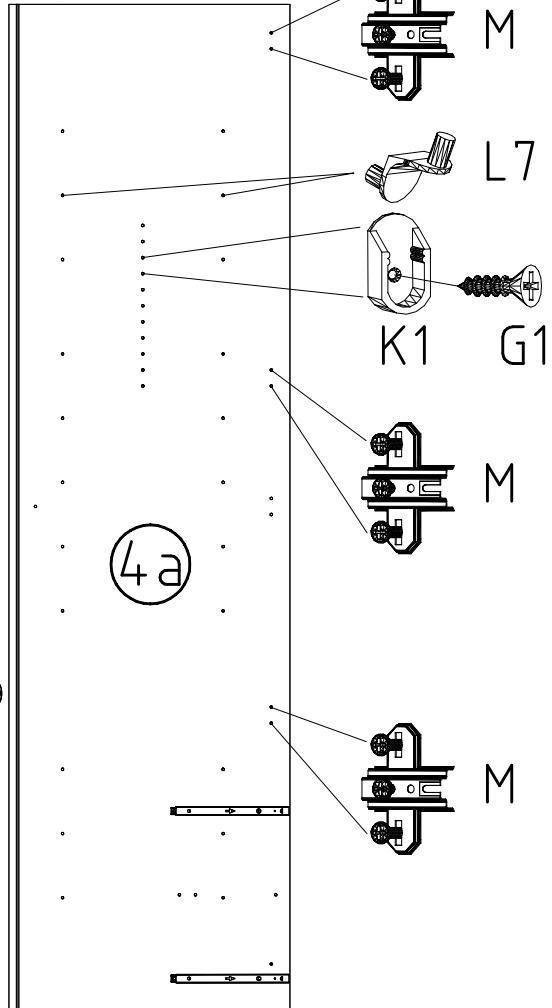
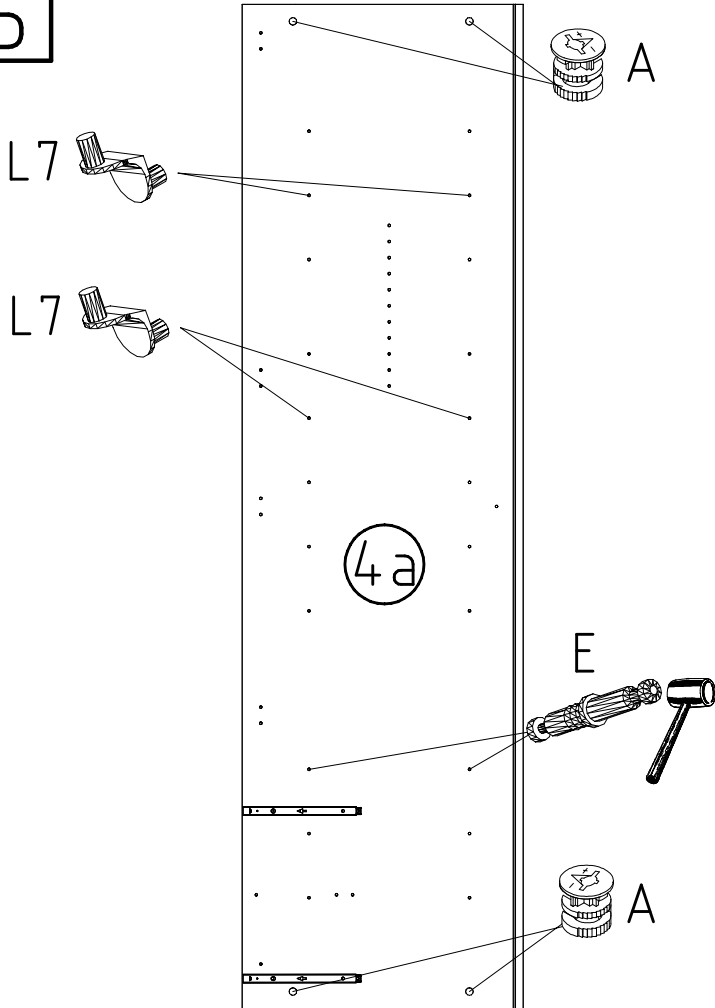
3

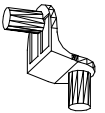
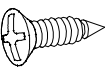
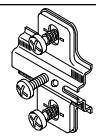
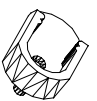


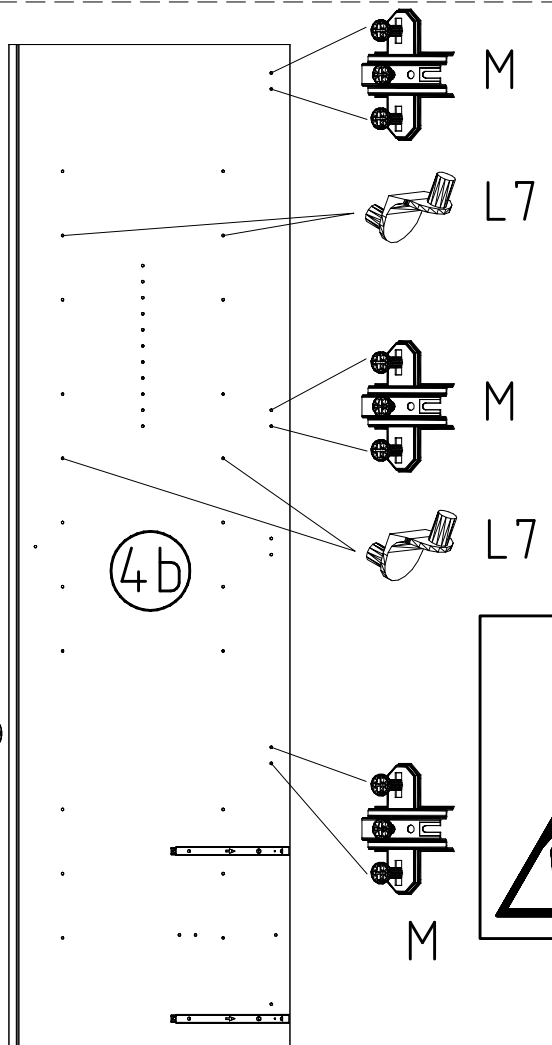
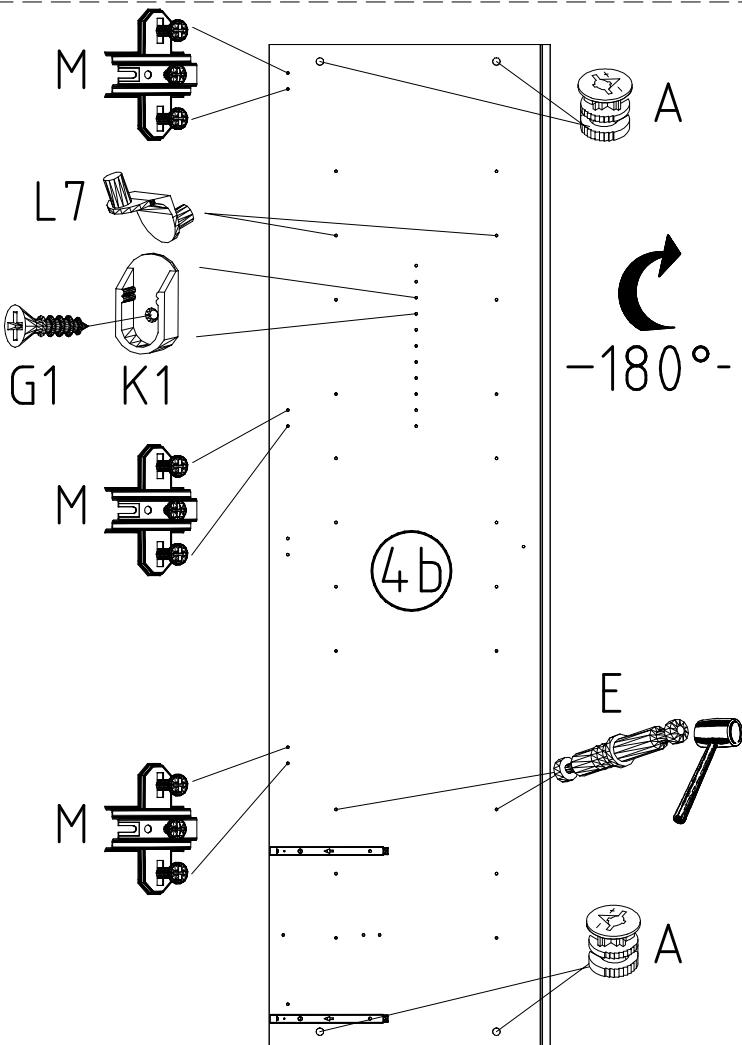
4

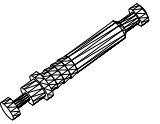
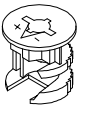
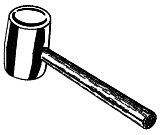
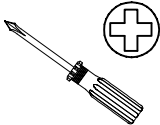


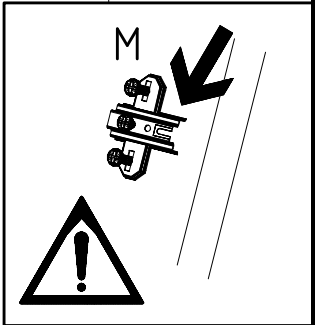
5



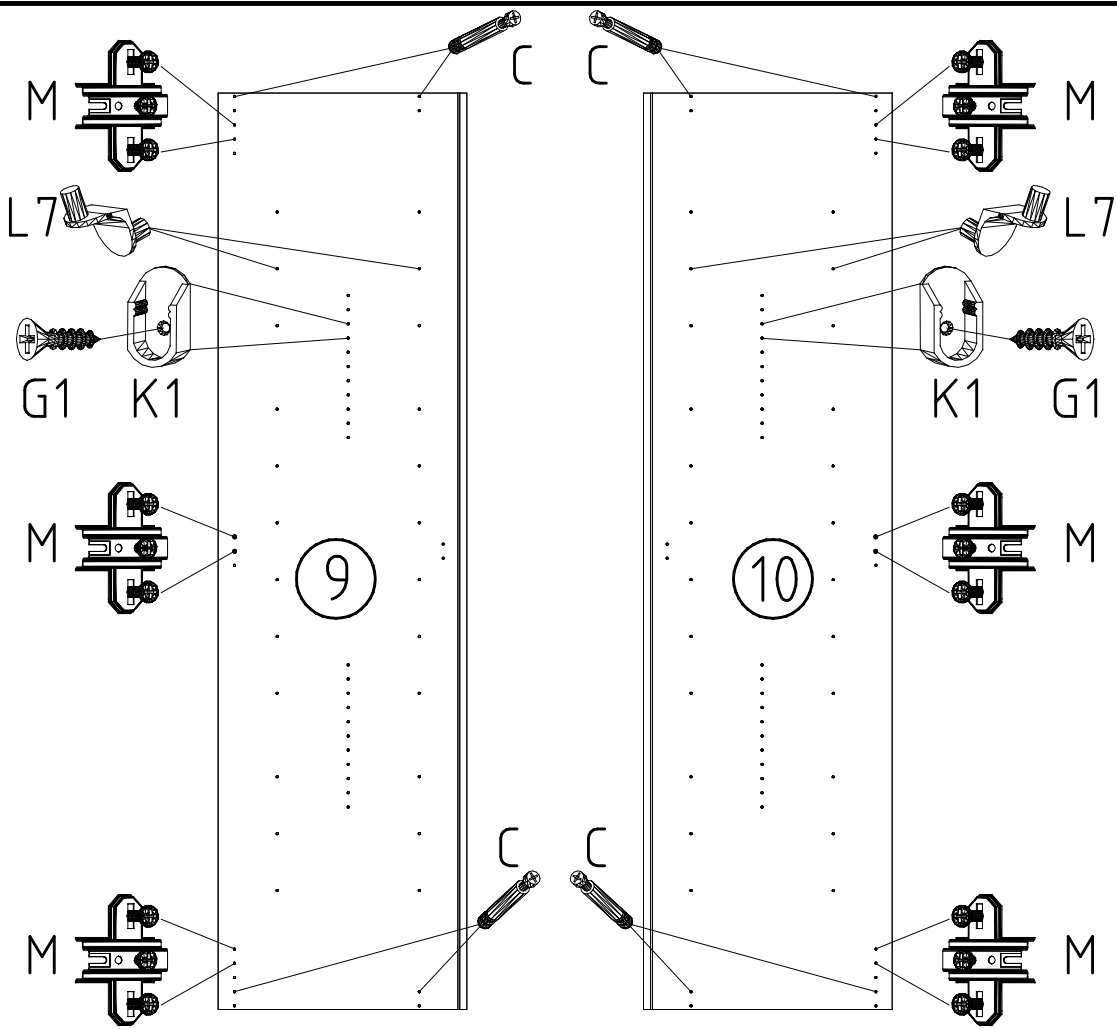
-  L7
- 111 610
- 3,5 x 15 mm
-  G1
- 121 370
-  M
- 112 268
-  K1
- 117 001



-  E
- 111 235
-  A
- 111 102
- 
- 

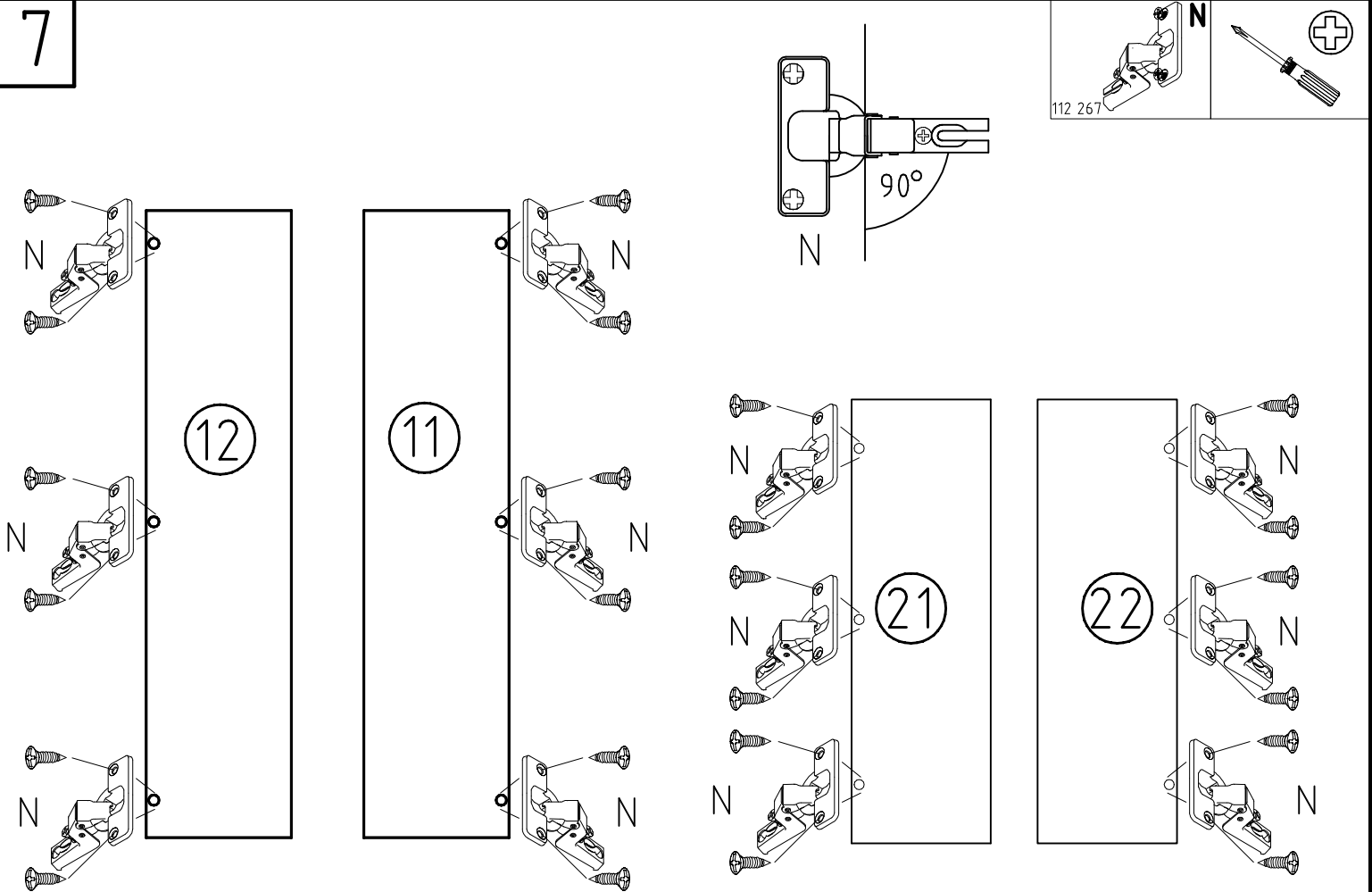


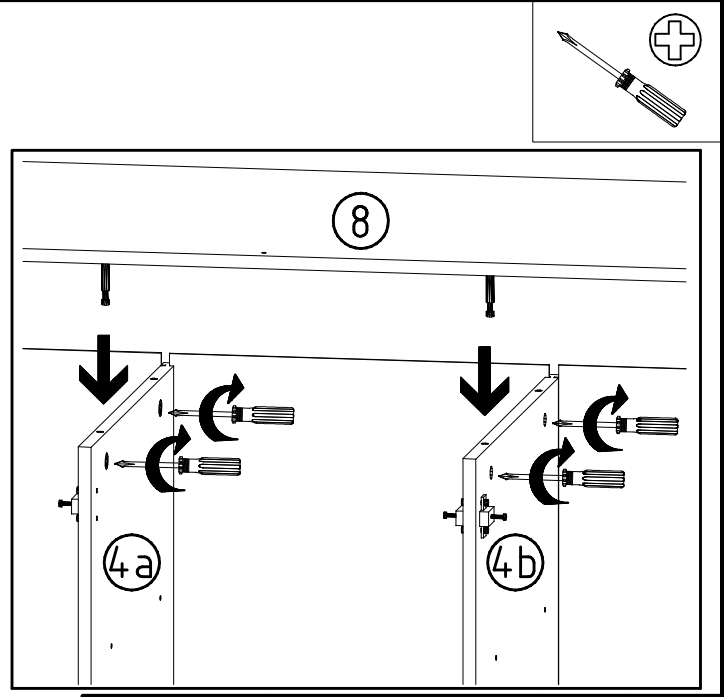
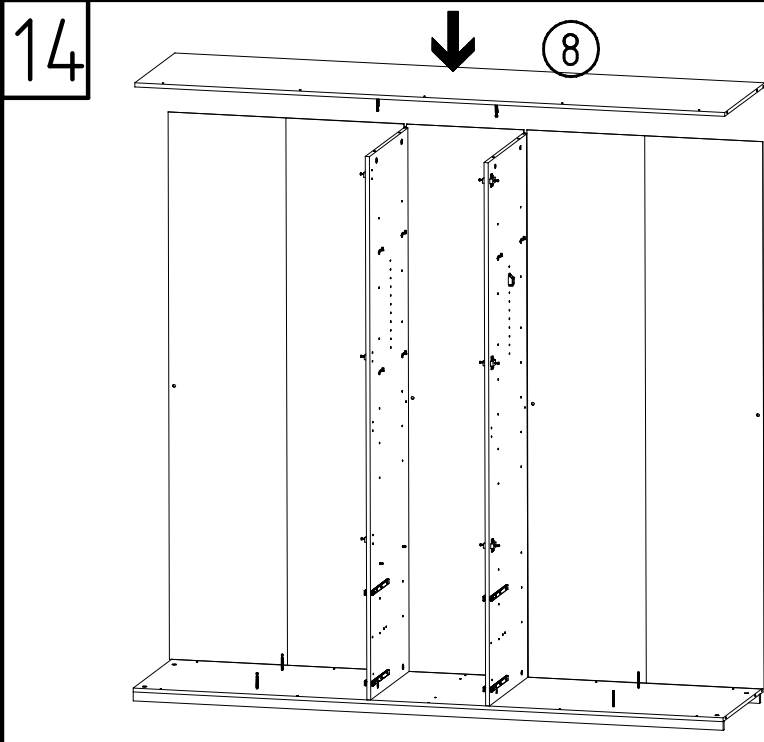
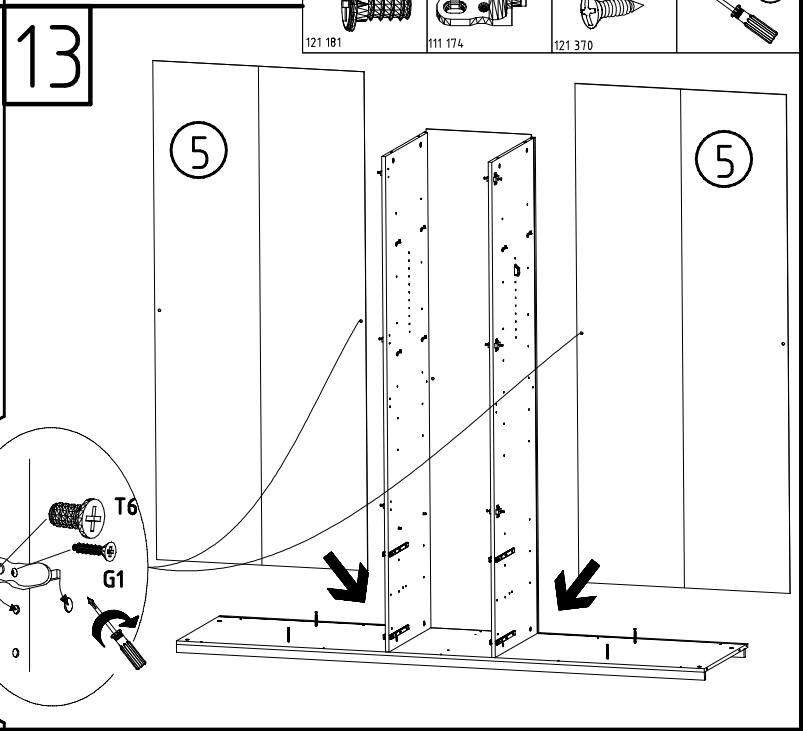
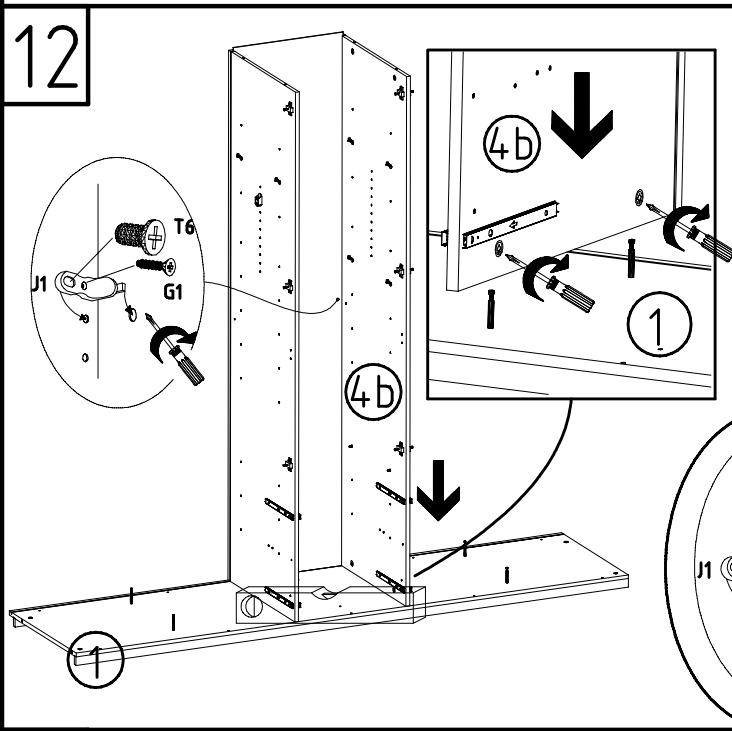
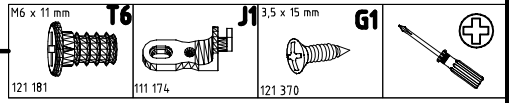
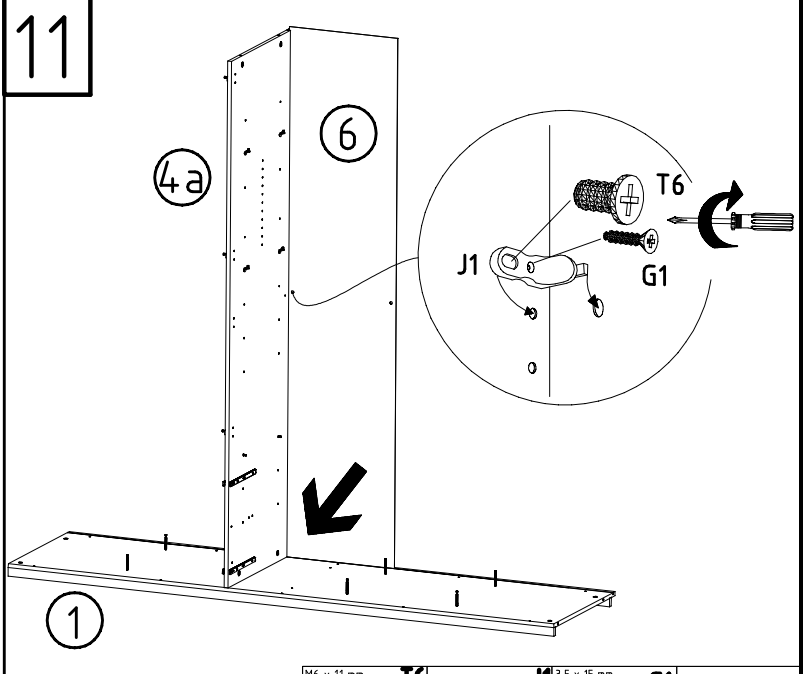
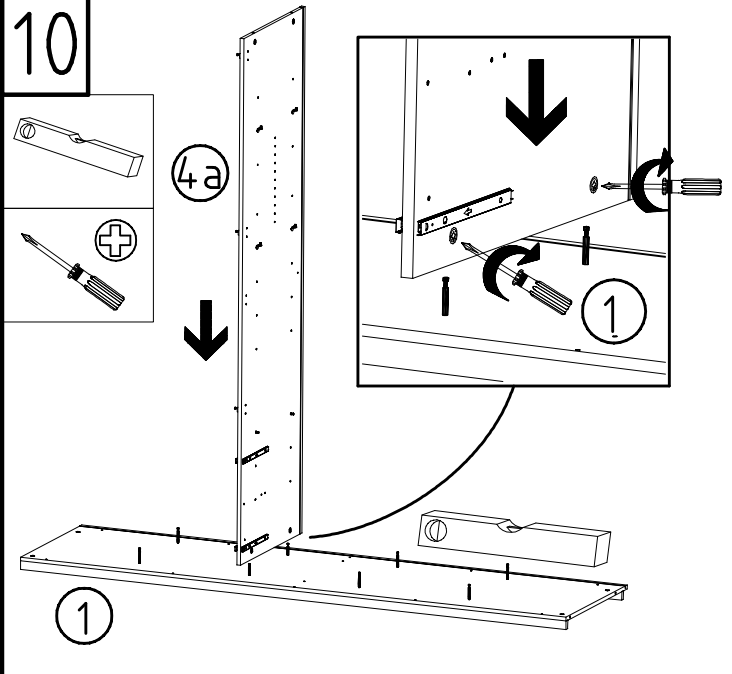
6



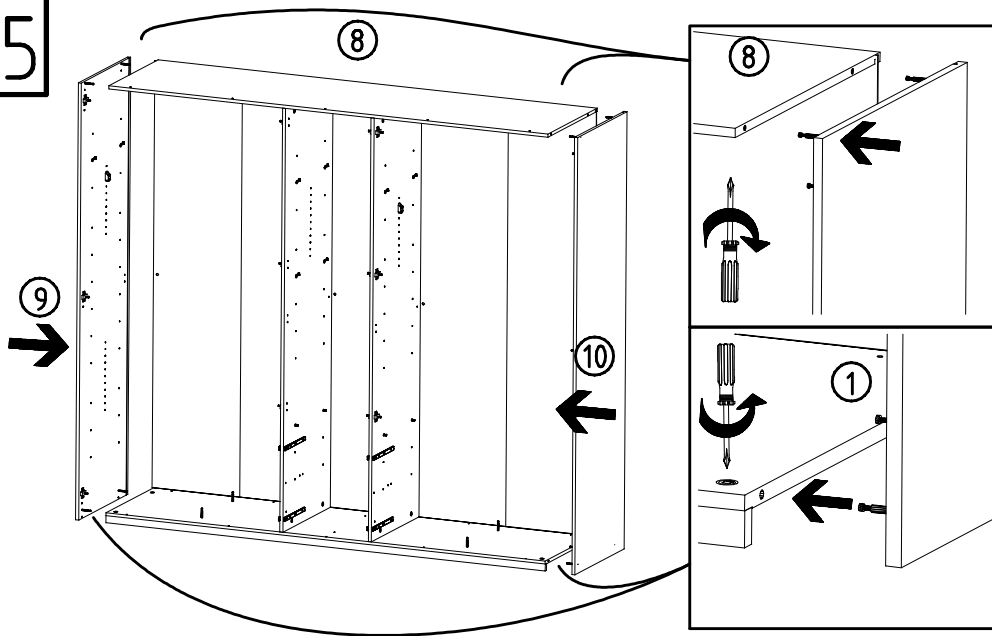
	L7
111 610 3,5 x 15 mm	G1
121 370	M
112 268	K1
117 001	C
111 103	

7

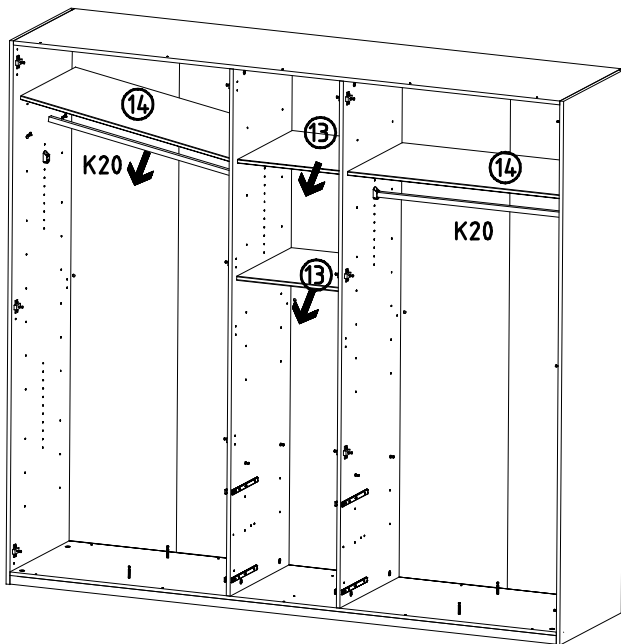




15

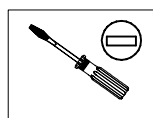
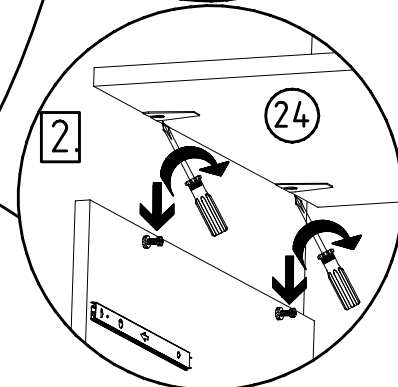
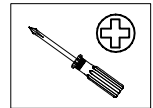
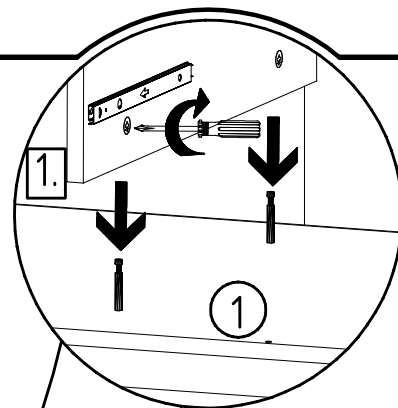
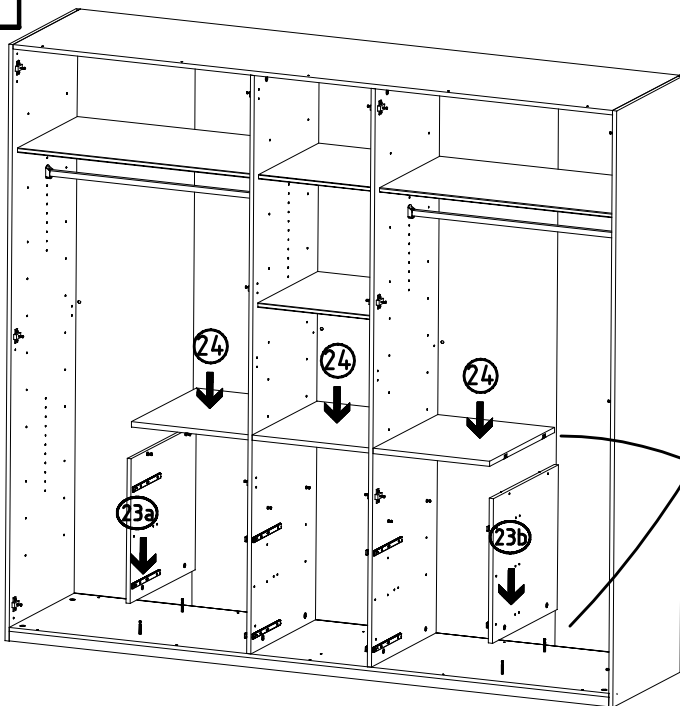


16

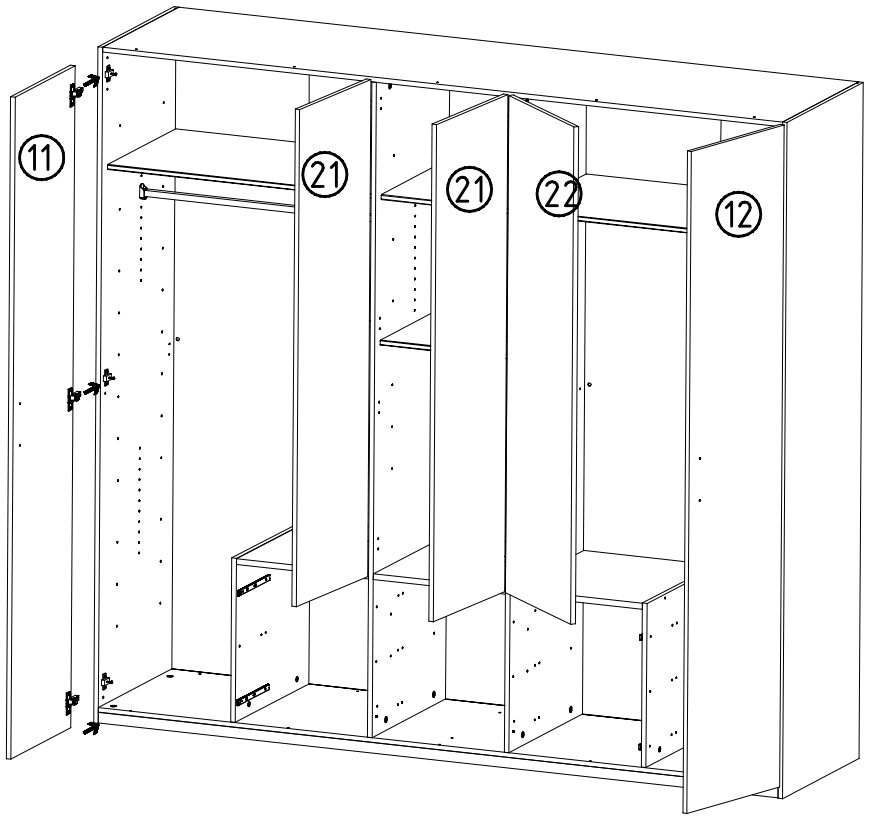
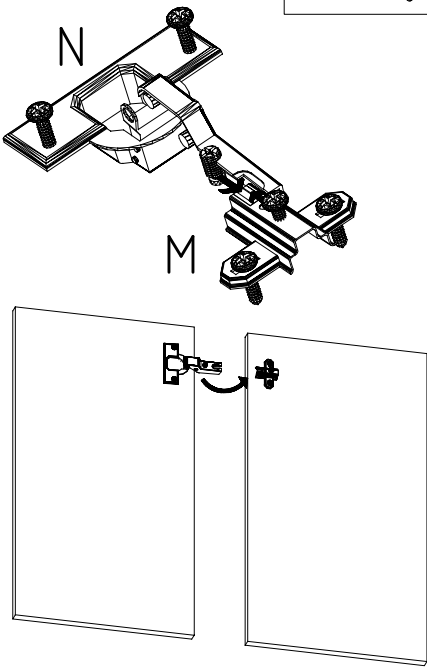
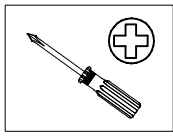


K20
870mm
112 402

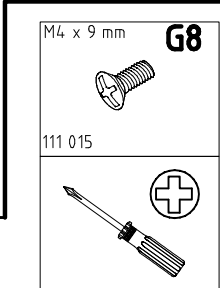
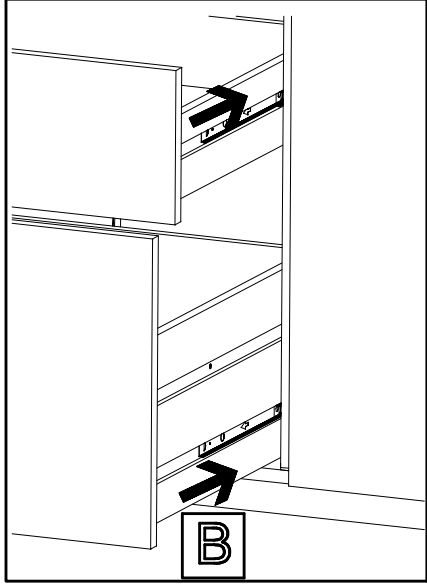
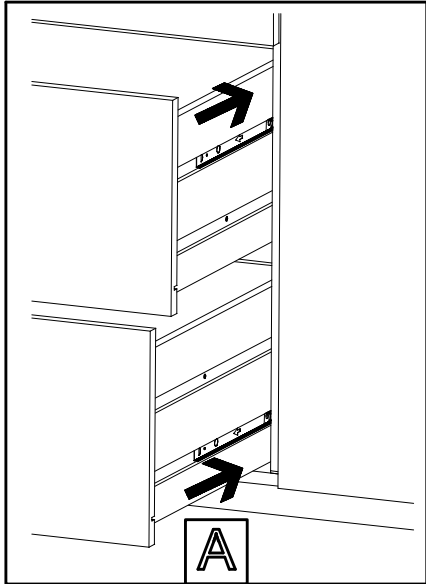
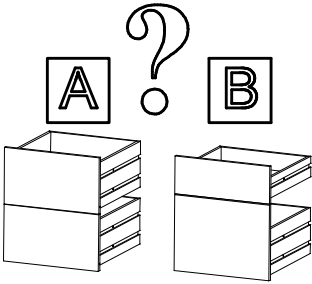
17



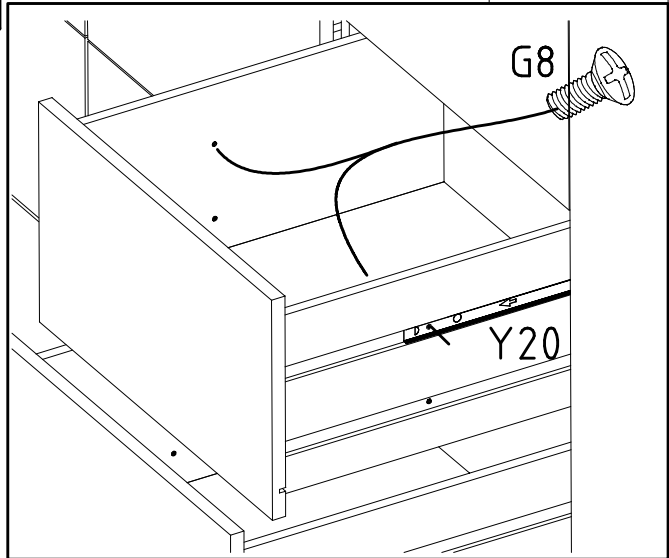
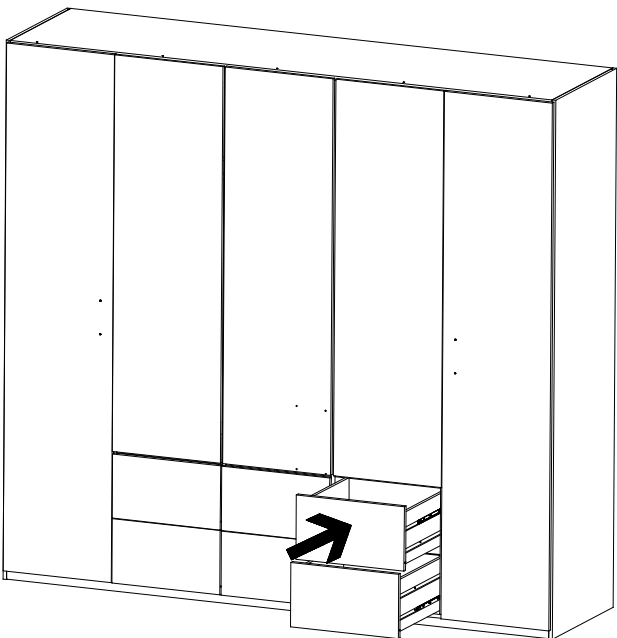
18

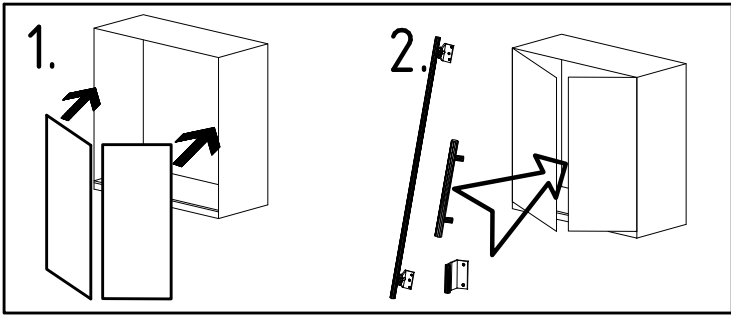
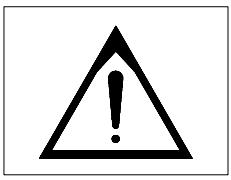


19

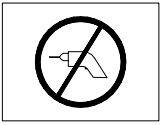
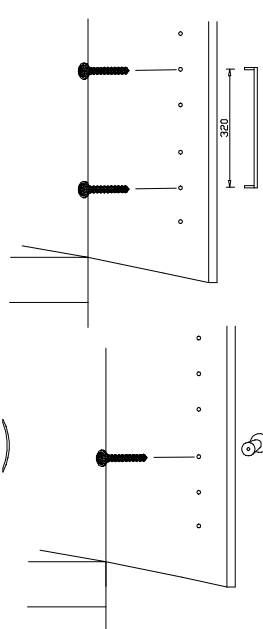
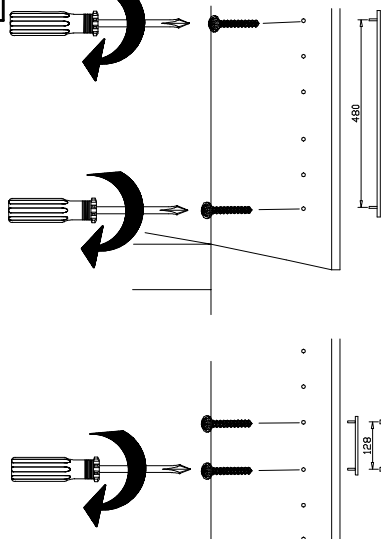
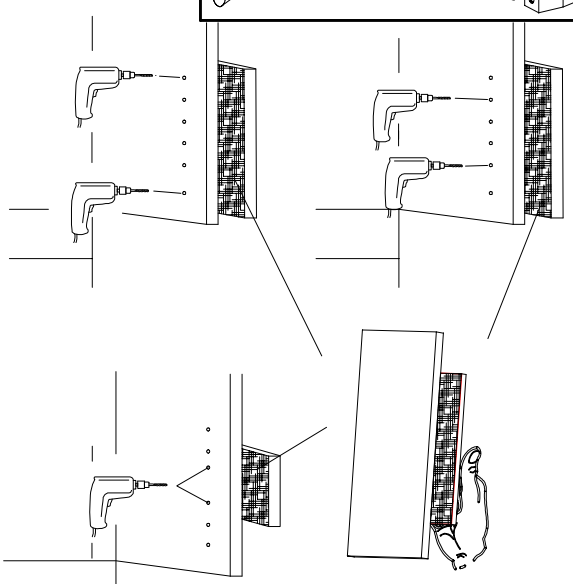
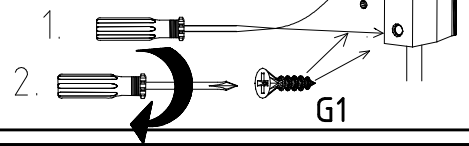
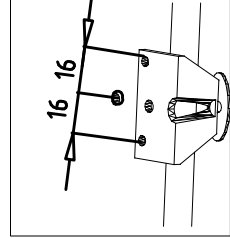
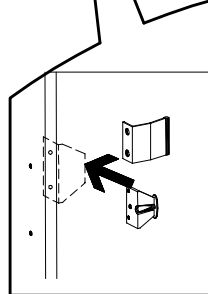
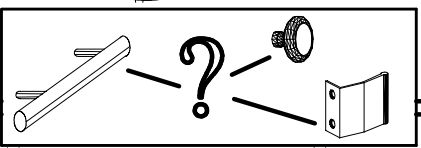
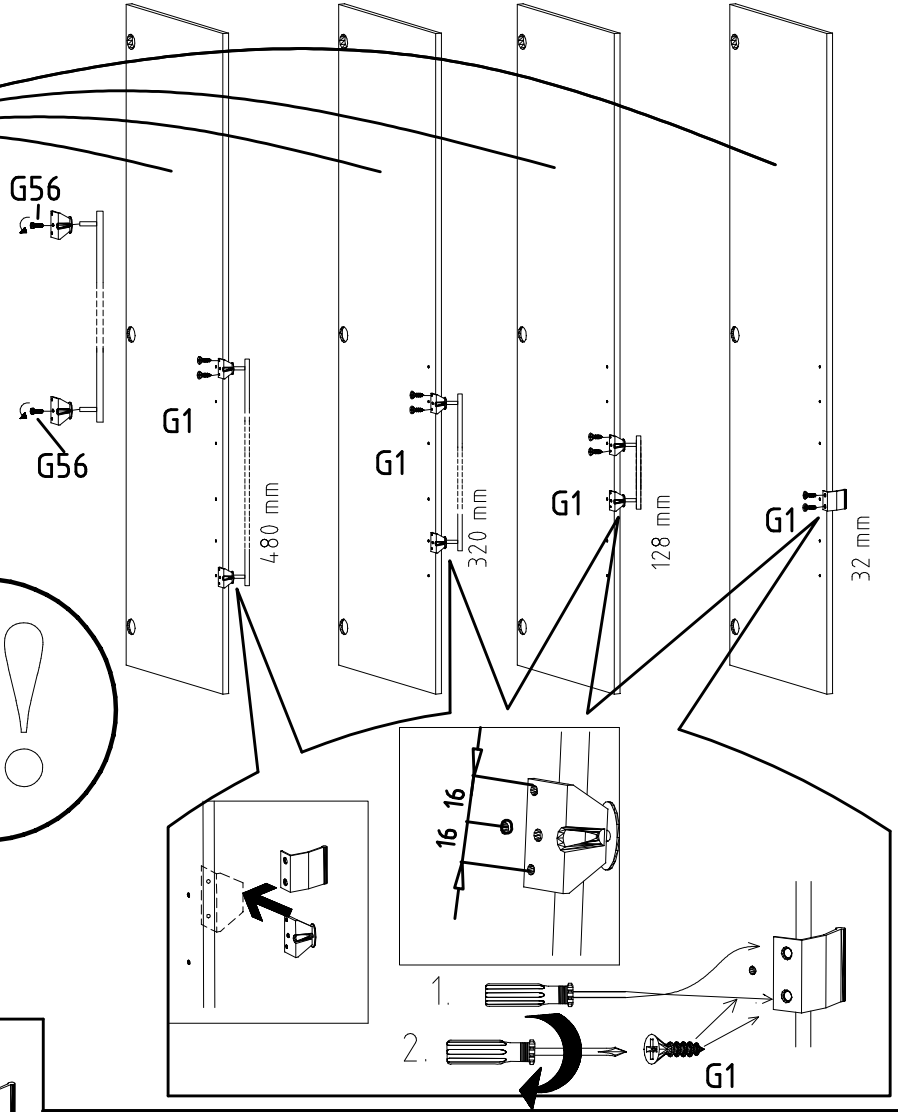
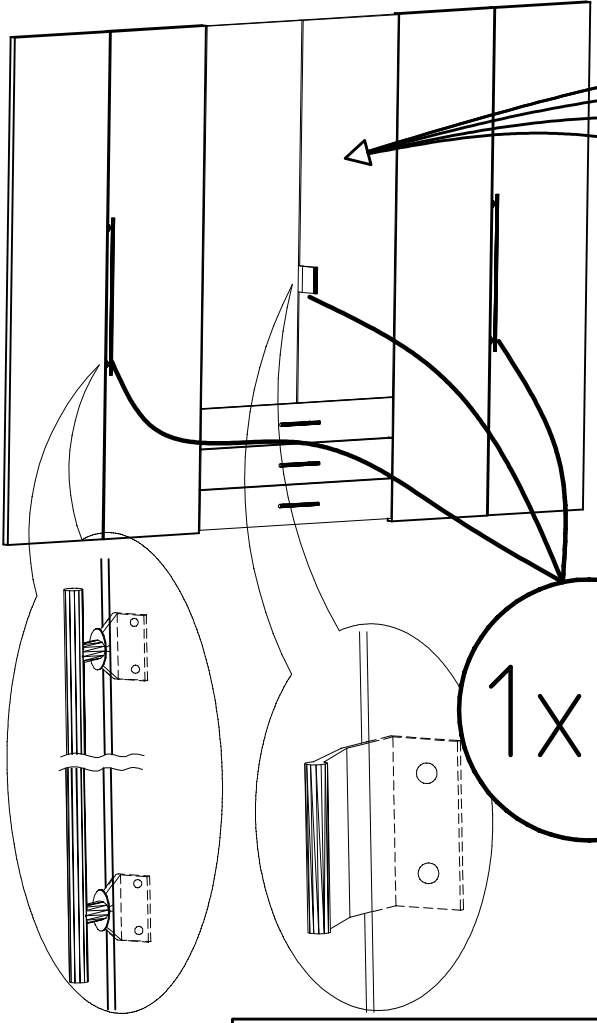


20





3,5 x 15 mm 121 370	G1	4,0 x 12 mm 122 625	G56
------------------------	-----------	------------------------	------------



	SP27
4 X 27mm	
122620	G49
4,0x22	
122 609	

