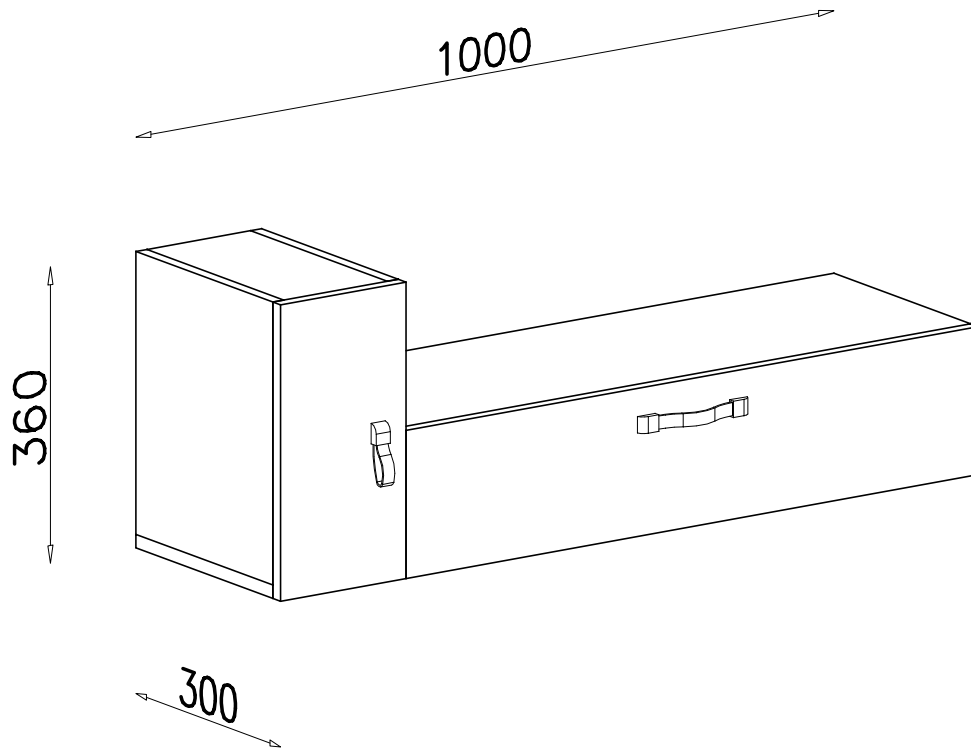
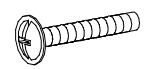

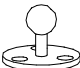
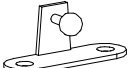
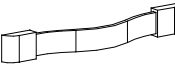

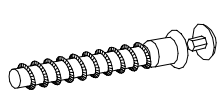
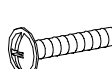


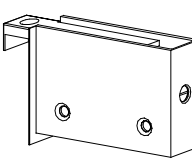
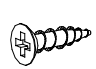

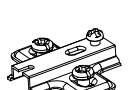

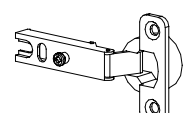
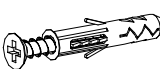

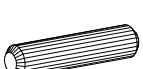




# system KOMI

# KM 11



			M  M4 x 22 x1	I  3,5 x 16 x7
R  x1	S  x1	L  x1	P  80N x1	A  x7
J  M4 x 20 x2	U  x1	T  4 x 30 x4	N  x2	F  4 x 16 x8
E  3 x 20 x30	C  x4	H  x2		D  x4
G  x4	K  x2	B  x14	Y  KLEJ x1	Z  x1