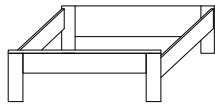
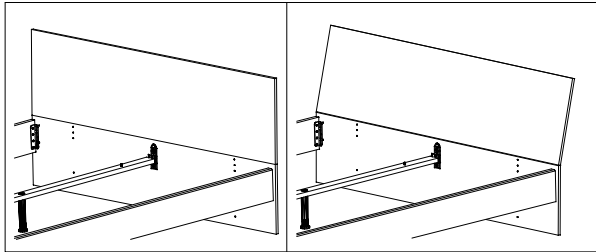
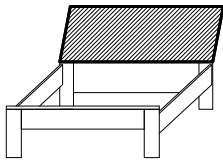


980455

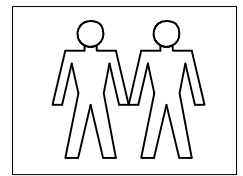
1.



2.



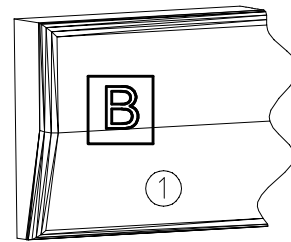
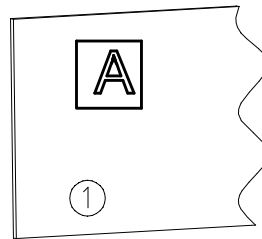
SP27
4 X 27mm **SP30** 12x-18x
122620



4,0 x 15 mm **G23** 6x
121 110

o16 2x
111 004

?
2x L3025 2x L600 2x L750



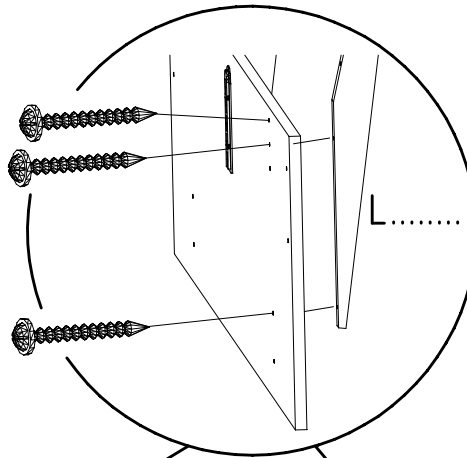
1884/1684/1484/x 480
(1884/1684/1484/x 500)

1884/1684/1484/x 500x 80/40

1

15mm
SP27
4 X 27mm
122620

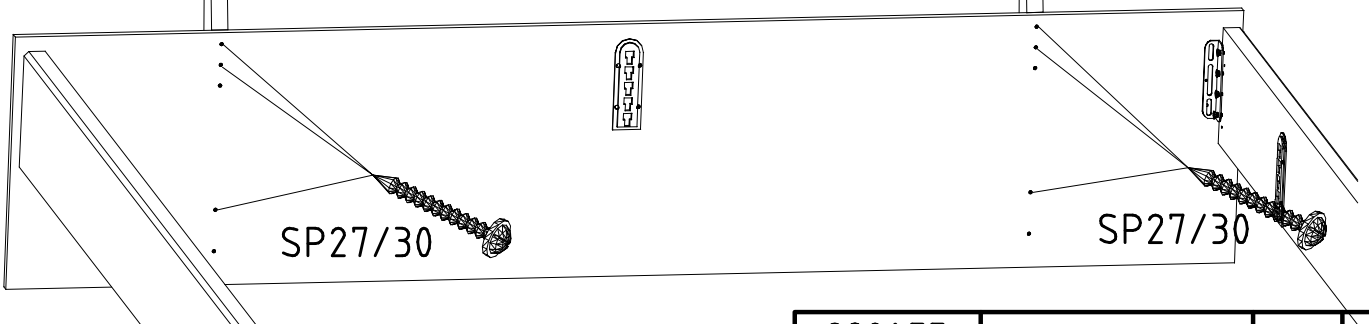
18mm
SP30
4 X 30mm
121128



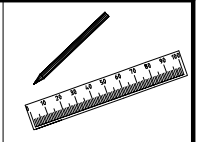
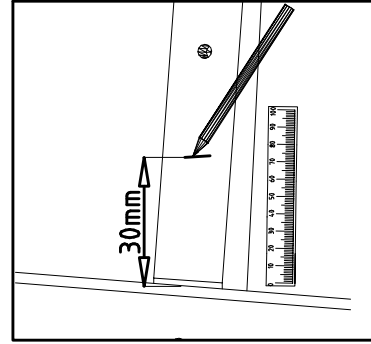
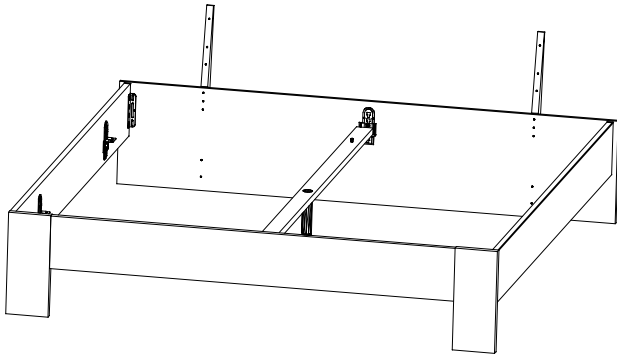
?
L 600
L 750
L 3025

L600
L750
L3025

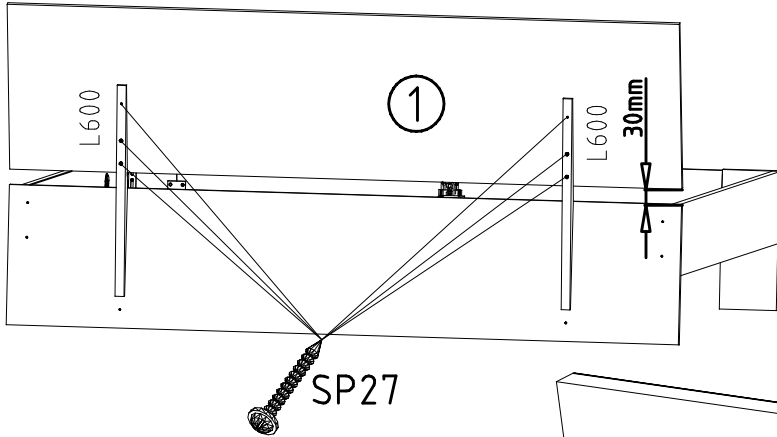
L600
L750
L3025



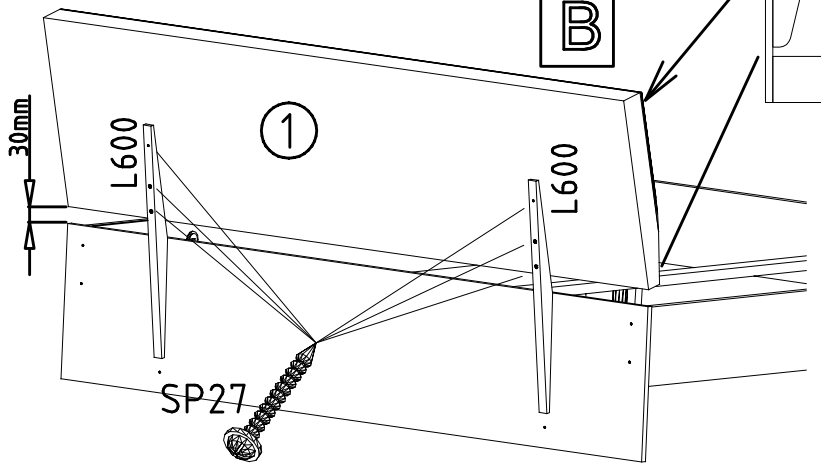
2



3



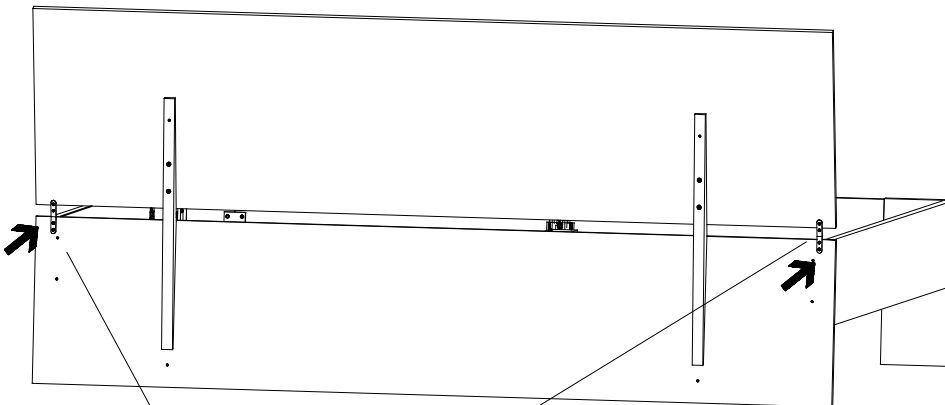
A



B



4



A B

