



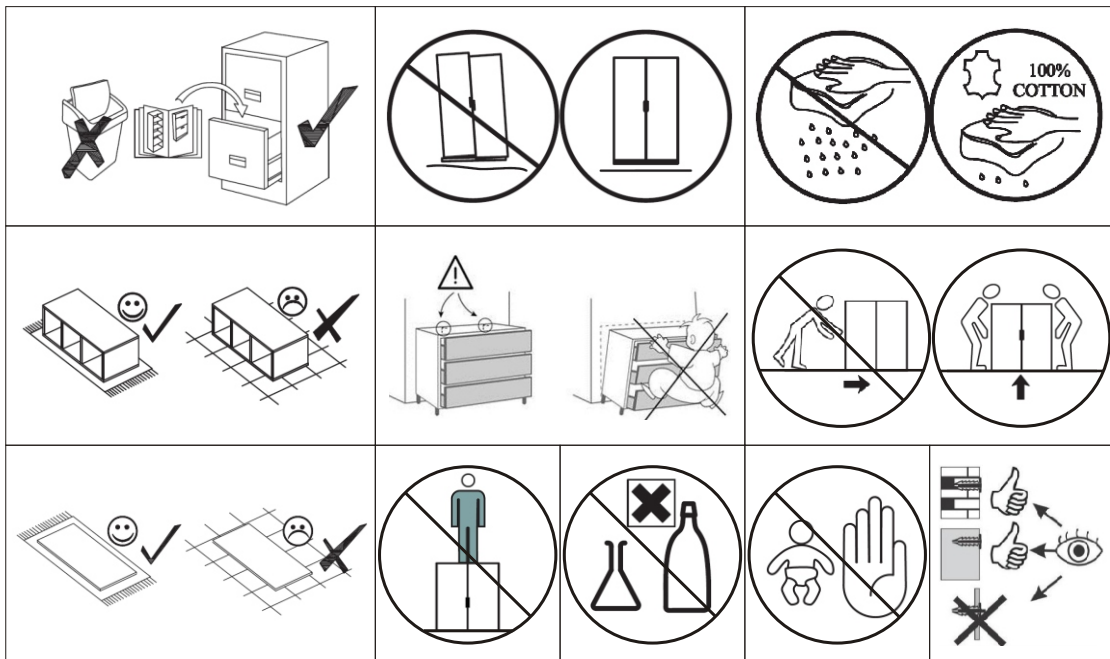
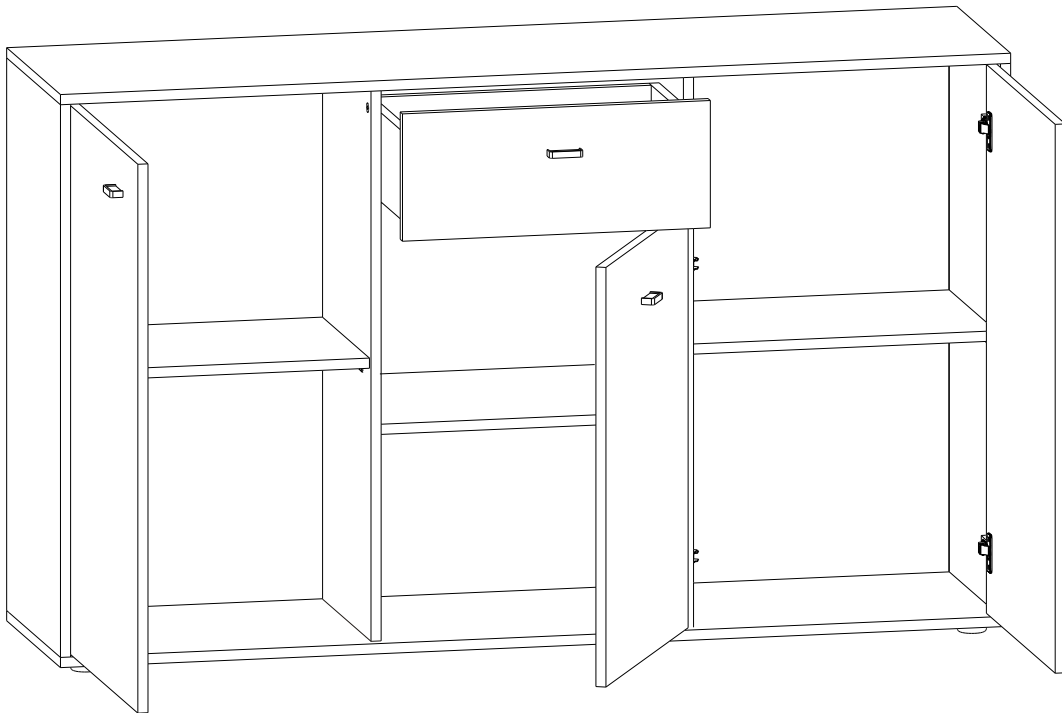
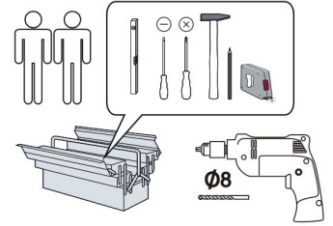
CLEVELAND SIDEBOARD 44-505-...-3

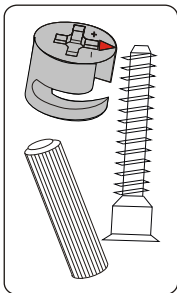
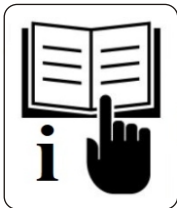
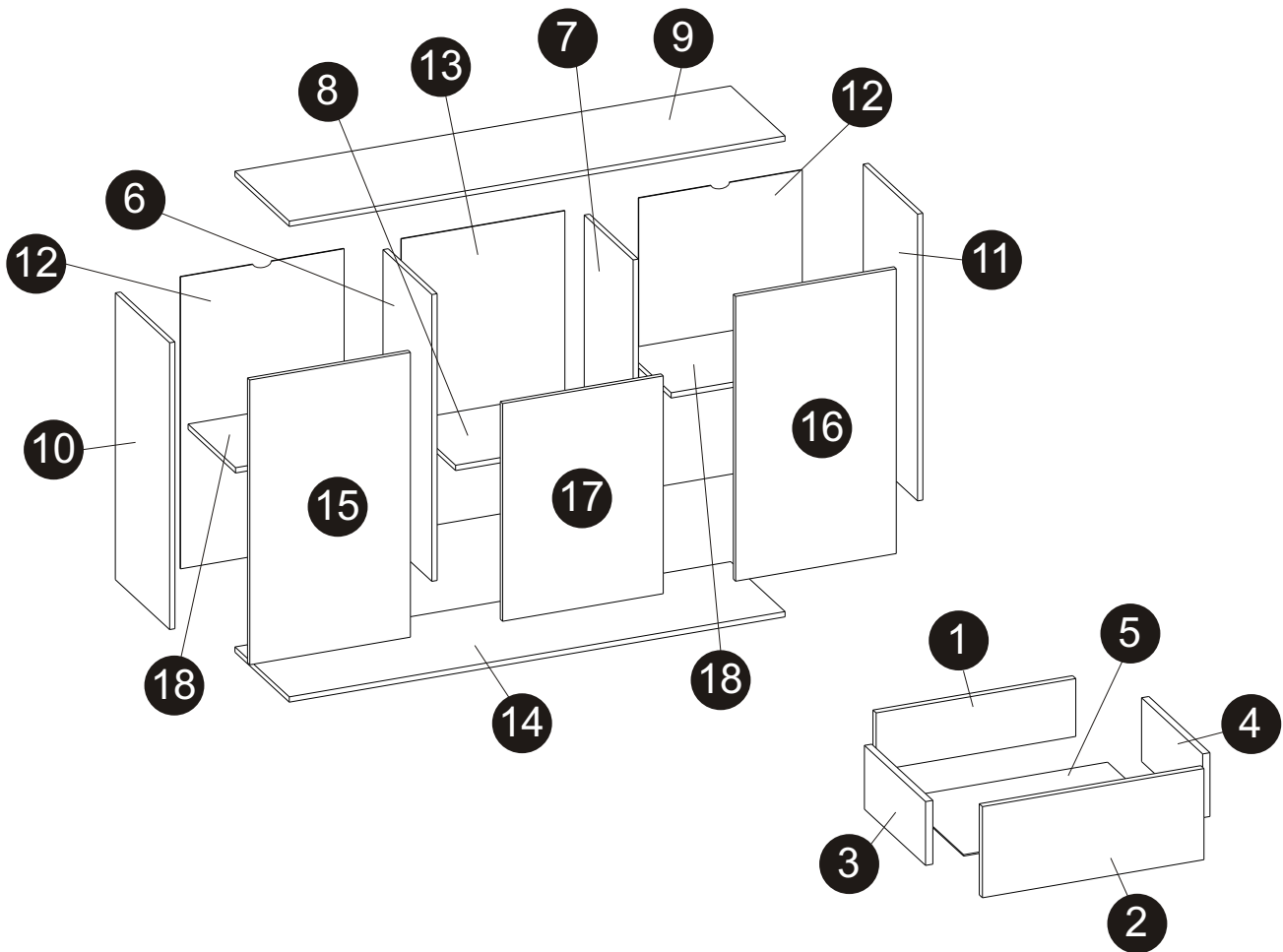
1/22

meble
okmed
DEM KO

wyprodukowano dla / made for / produziert für
BEGA GRUPPE
producent: **MEBLE OKMED** POLAND

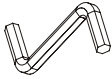

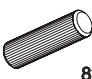



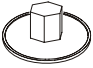



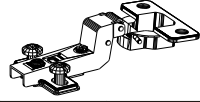
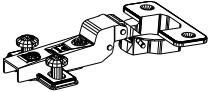

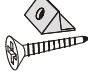

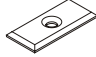
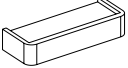


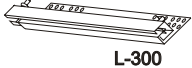

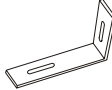
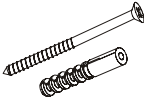
BEGA
GRUPPE

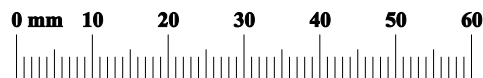




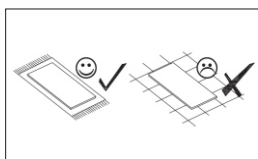
1/2		
5	3x452x315	x1
15	16x862x486	x1
16	16x862x486	x1
2	16x486x200	x1
17	16x659x486	x1
12	3x884x495	x2
13	3x884x495	x1
18	16x478x332	x2
6	16x868x342	x1
7	16x868x342	x1

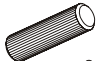

2/2		
3	16x310x140	x1
4	16x310x140	x1
10	168x868x380	x1
11	16x868x380	x1
14	16x1500x380	x1
9	16x1500x380	x1
1	16x438x127	x1
8	16x477x342	x1

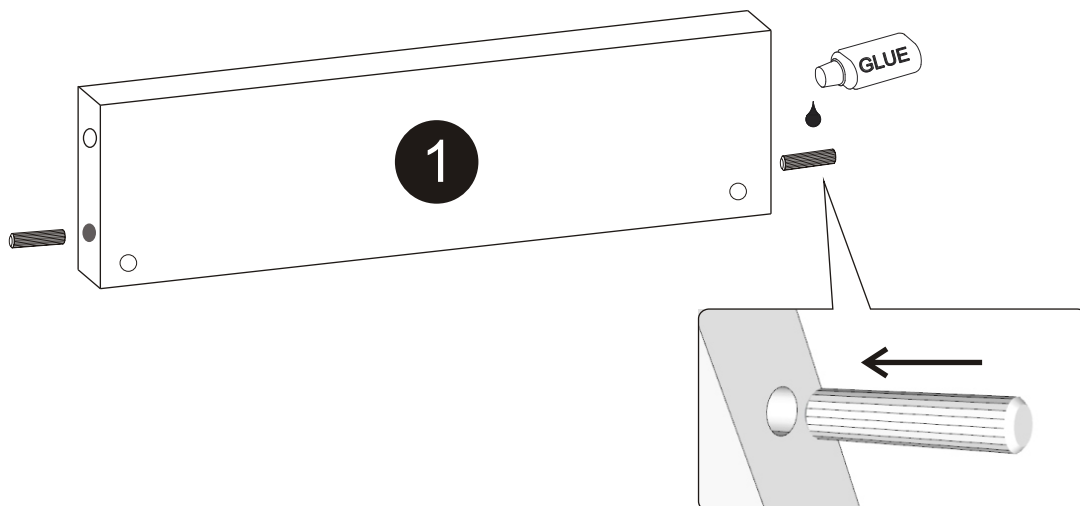
	 7x50	 8x35	 GLUE		
KK1 x1	K1 x10	KD1 x26	KSK1 x1	ZM1B x14	ZM1A x14
		 4x20			
ZM1 x14	SS4 x6	W6 x6	PP x8	ZWP1 x4	ZWP x4
		 4x13		 3x16	
ZP1 x2	ZP x2	W4 x12	S1 x11	W1 x24	PL1 x18
	 3,5x27	 3,5x16	 L-300	 L-300	
U71 x4	WU x8	W11 x8	PQ3 x1	PQ4 x1	KS1 x2
					
KRW1 x2					



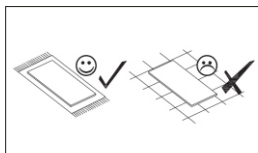
01

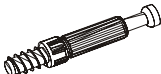


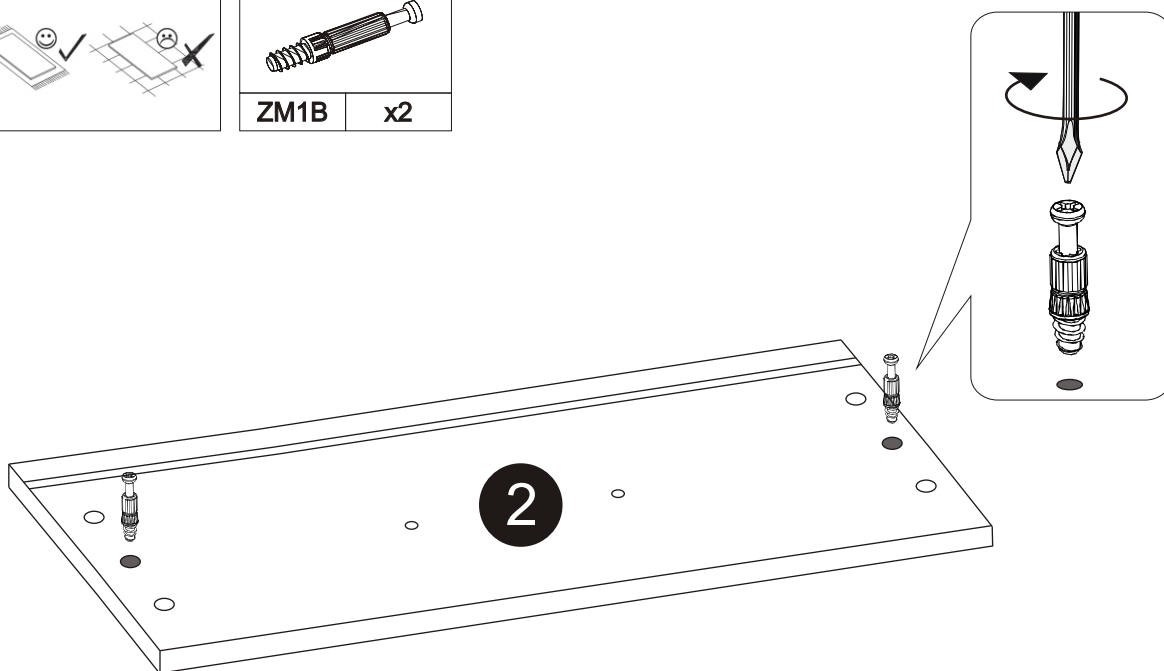
 8x35		 GLUE	
KD1	x2	KSK1	x1



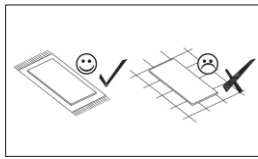
02




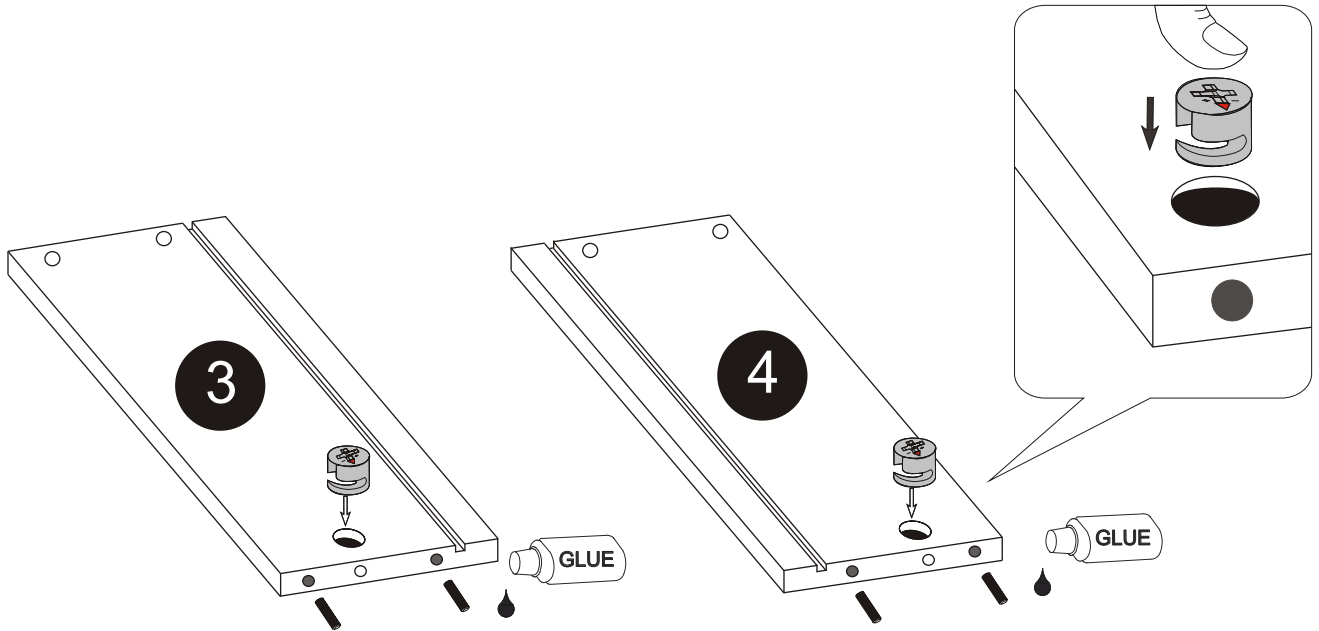
	
ZM1B	x2



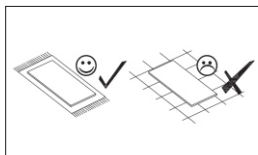
03

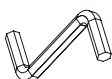




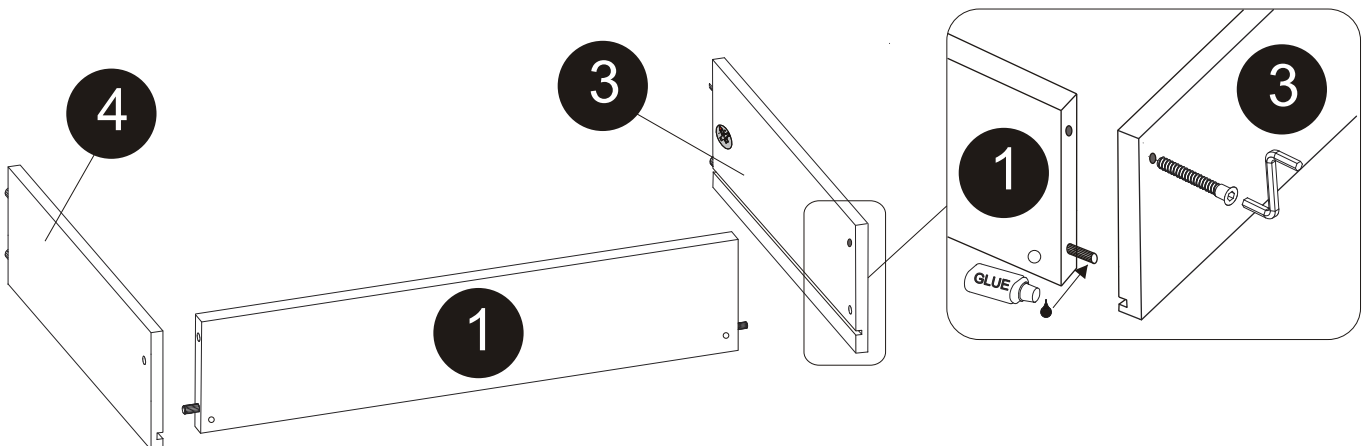
					
KD1	x4	KSK1	x1	ZM1A	x2



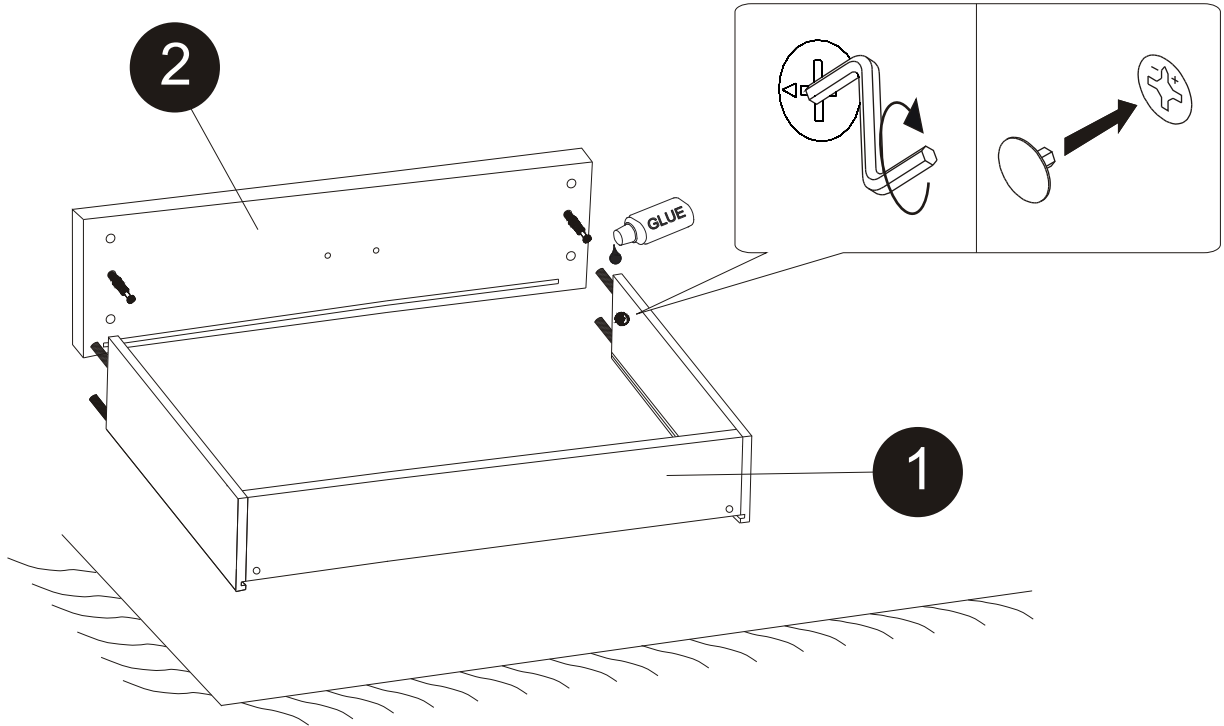
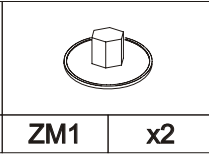
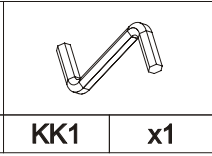
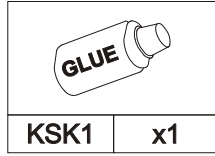
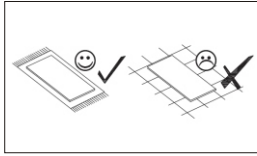
04



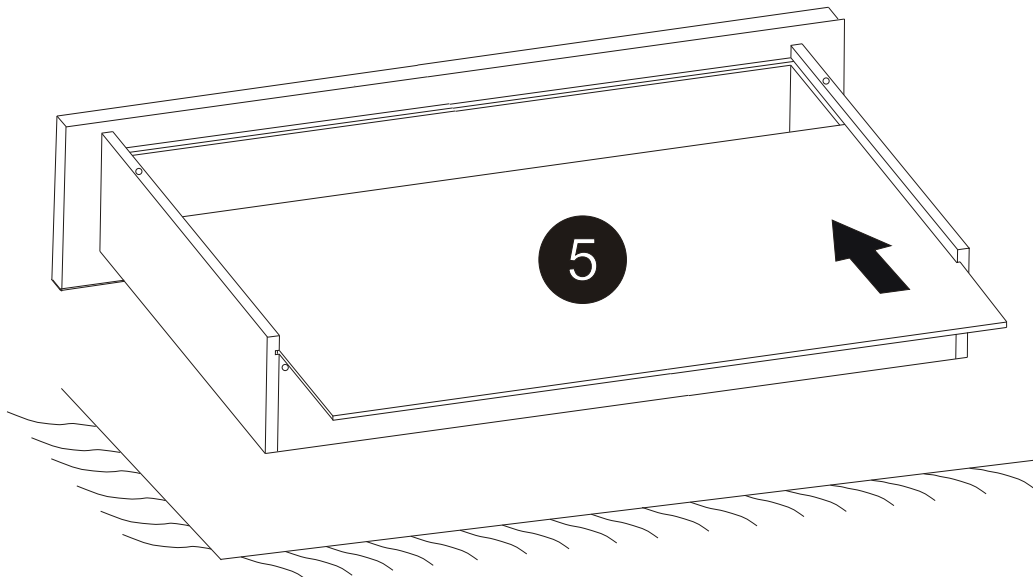
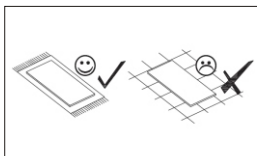
					
KK1	x1	K1	x2	KSK1	x1



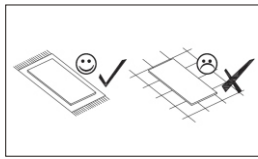
05





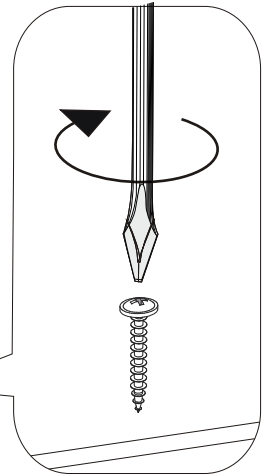
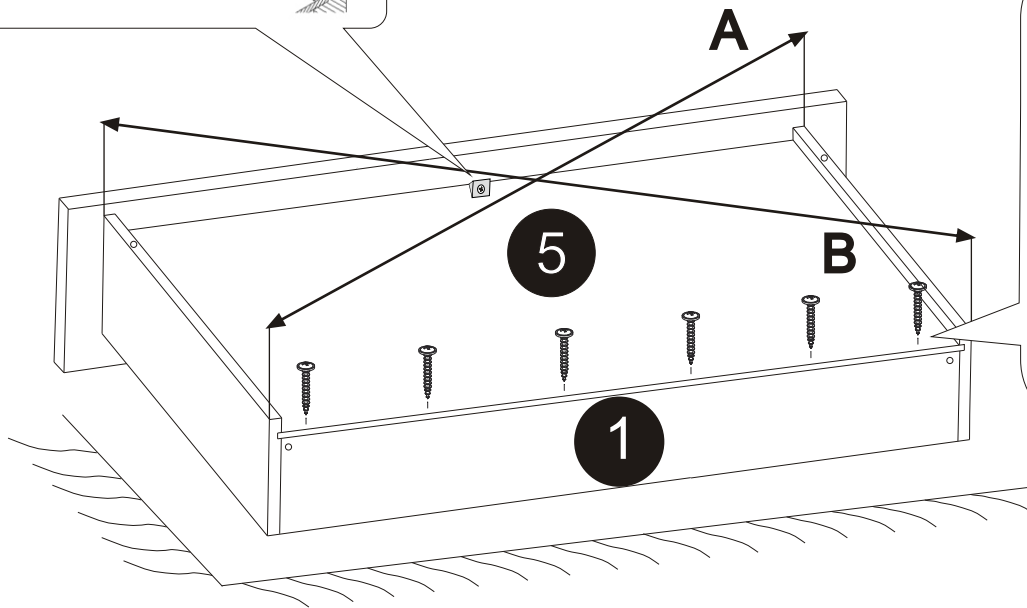
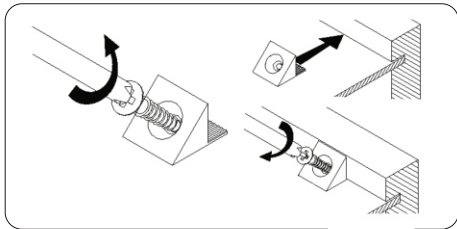
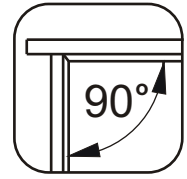
06



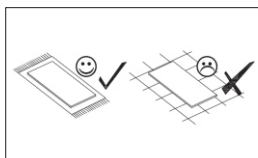
07


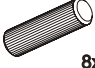


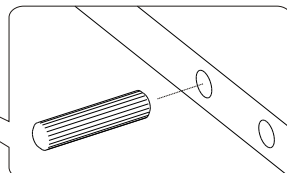
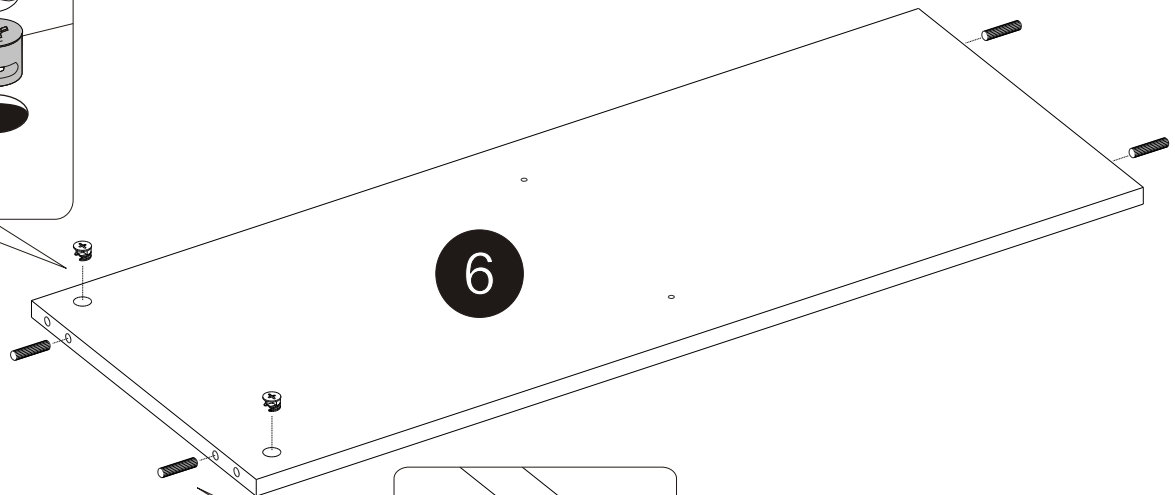
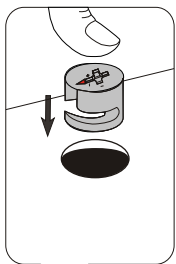
			
3x16			
W1	x6	S1	x1



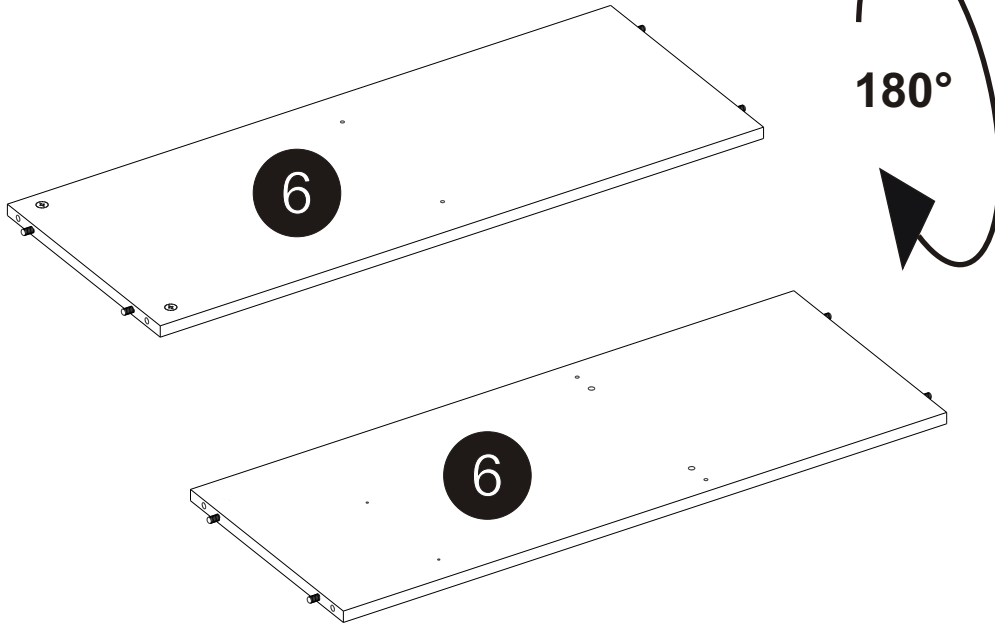
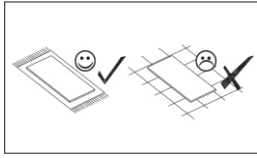
08



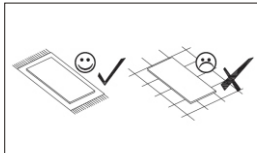
			
ZM1A		8x35	
x2		KD1	x4



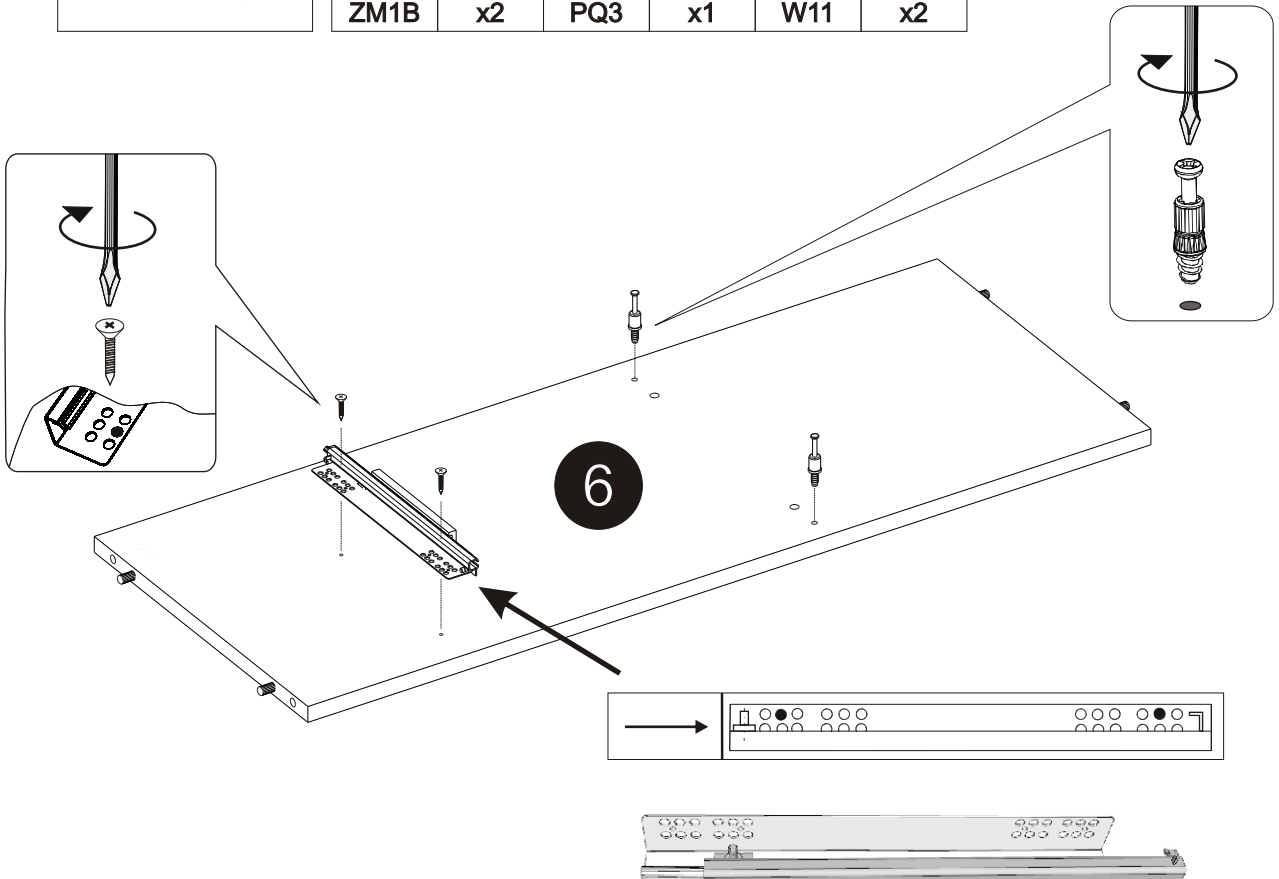
09



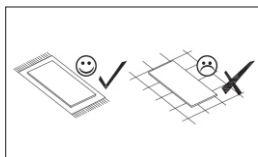
10


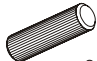


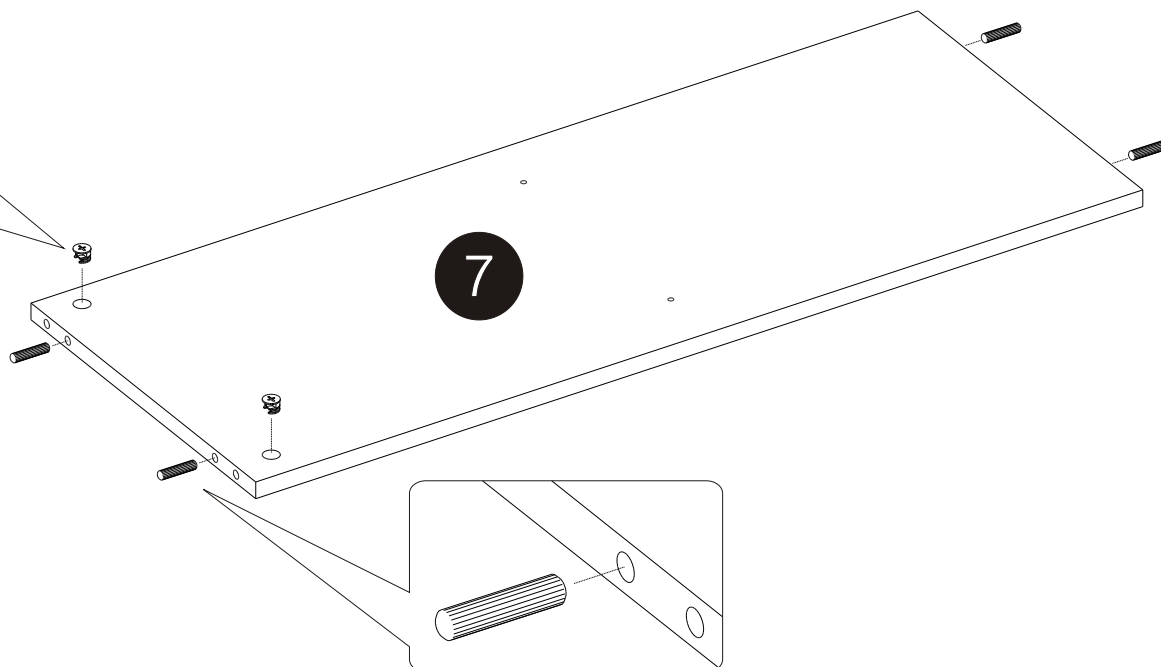
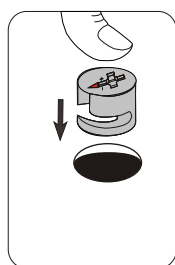
ZM1B	x2	PQ3	x1	W11	x2



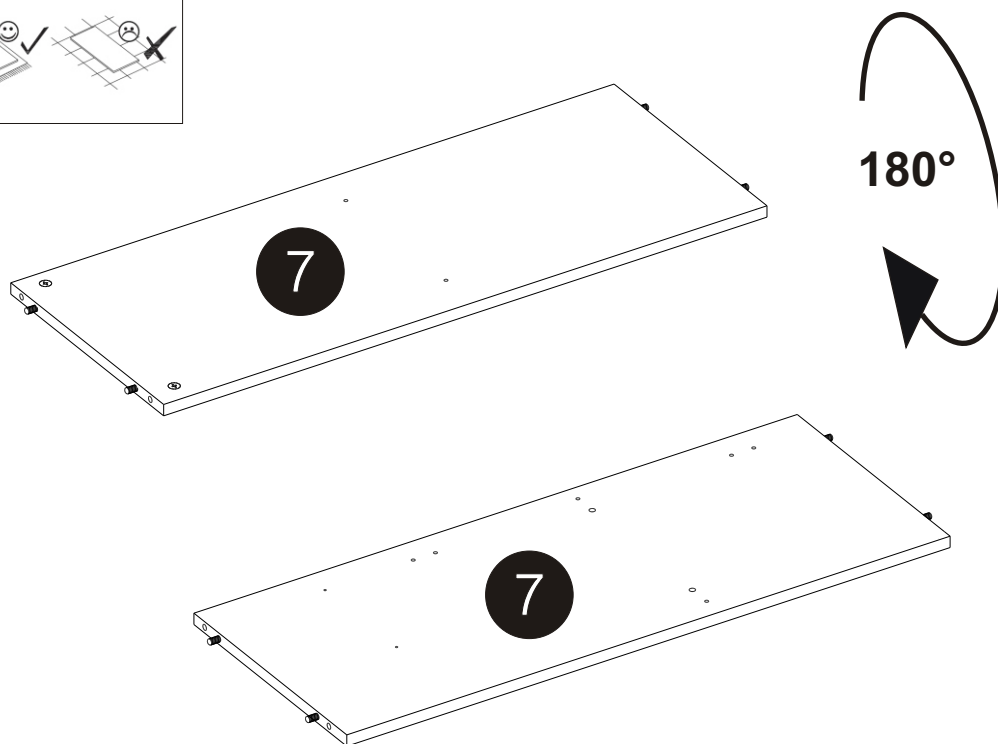
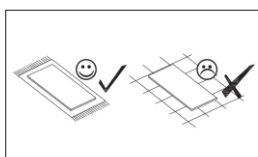
11



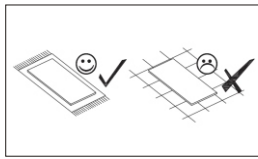
			
ZM1A	x2	KD1	x4



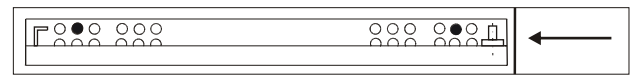
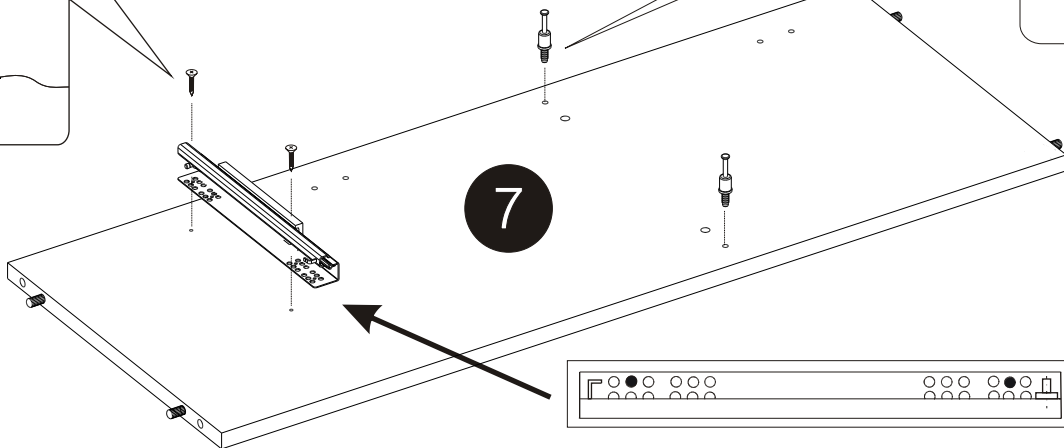
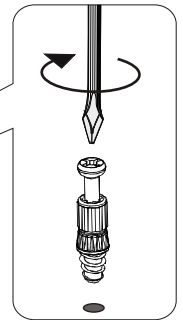
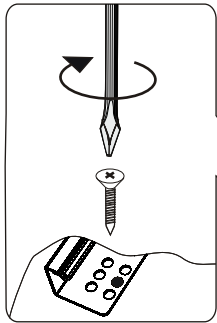
12



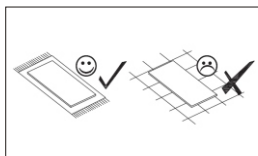
13



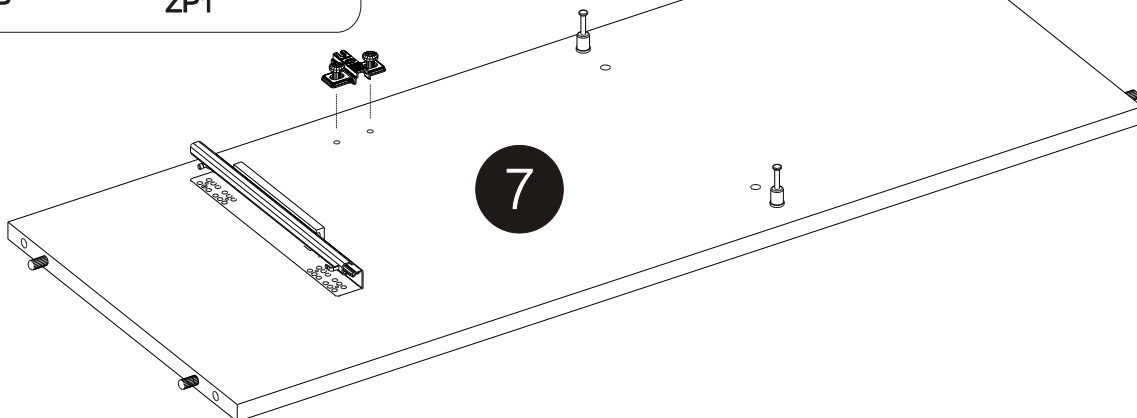
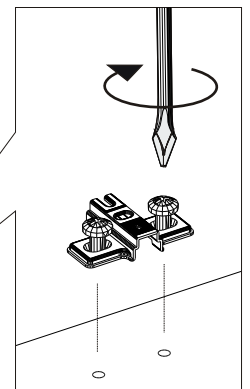
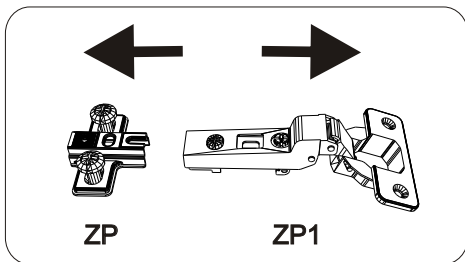
	ZM1B	x2		PQ4	x1		W11	x2
--	------	----	--	-----	----	--	-----	----



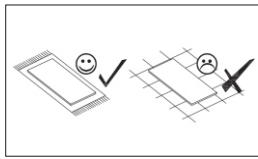
14



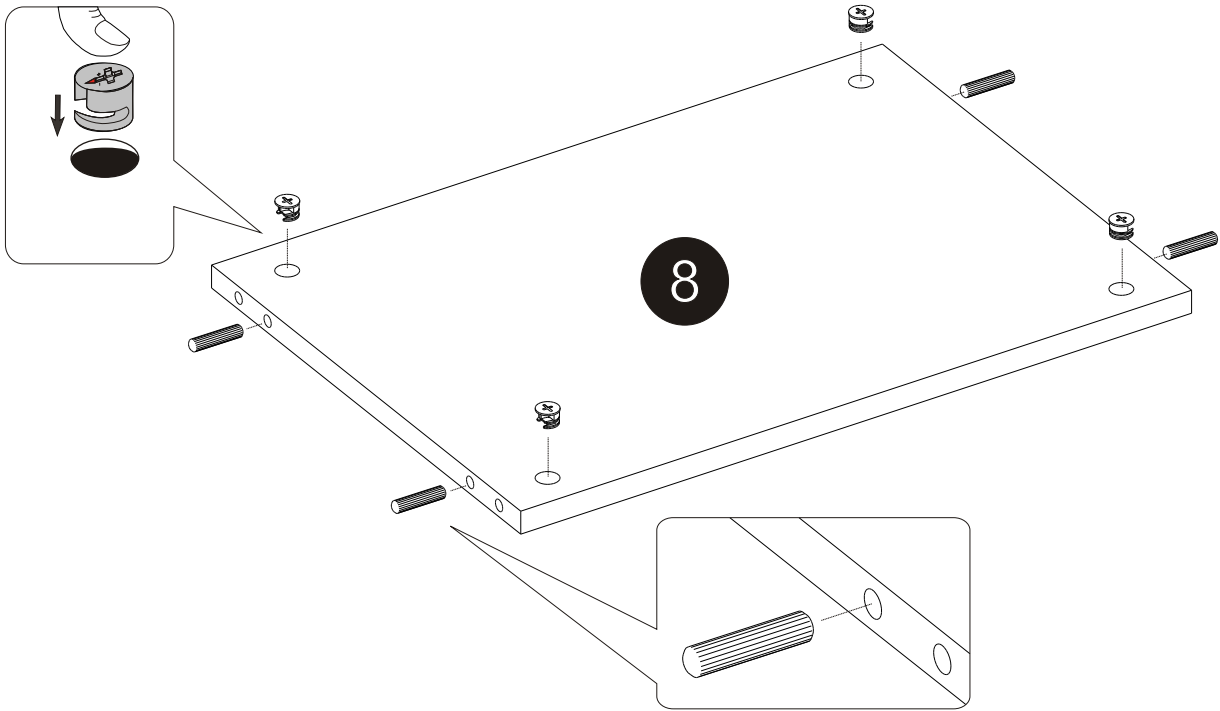
	ZP	x2
--	----	----



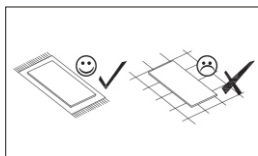
15



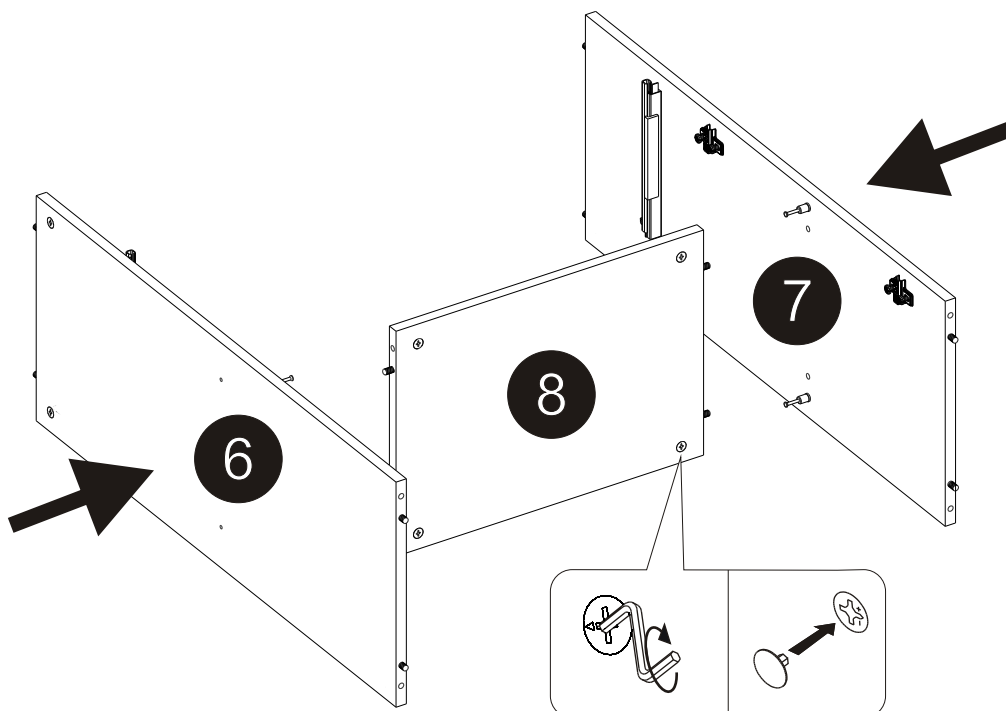
ZM1A	x4	KD1	x4



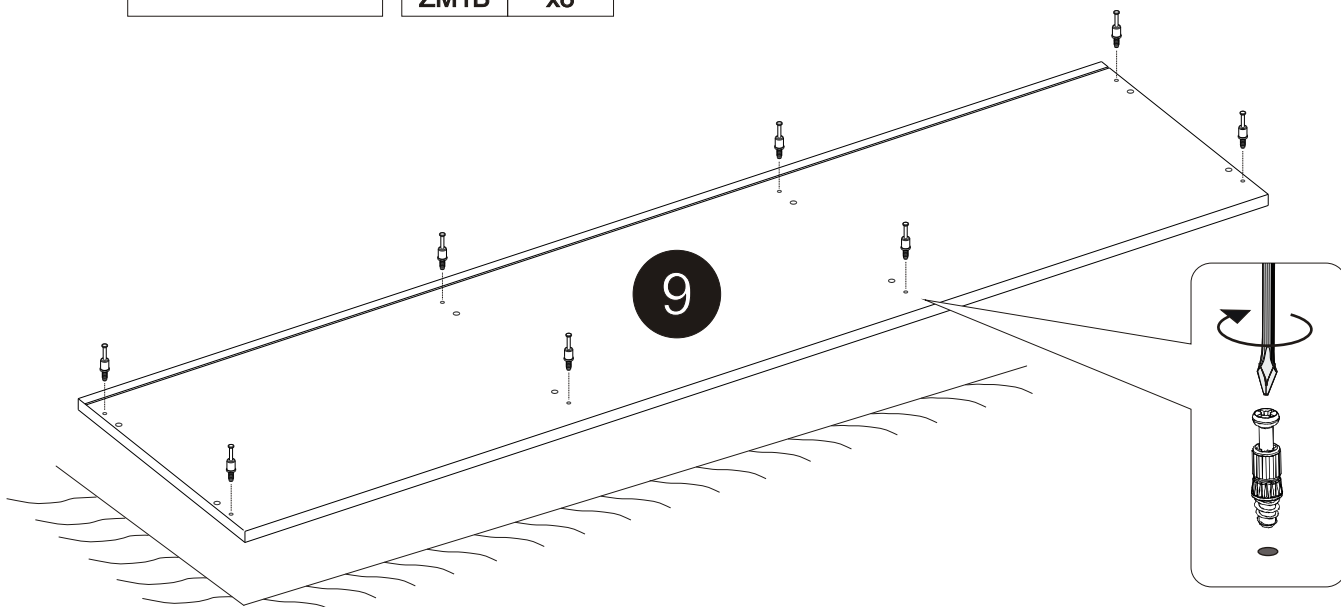
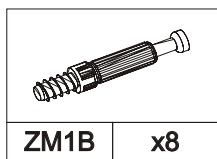
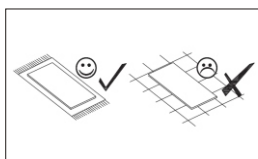
16



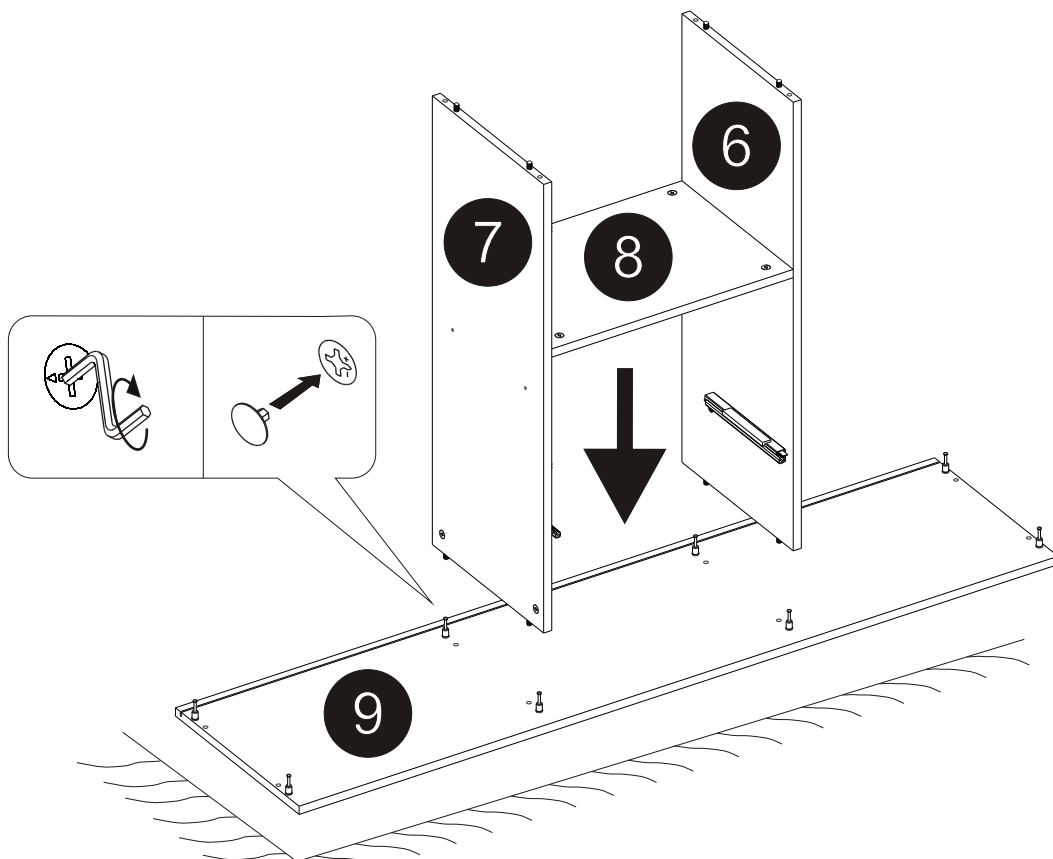
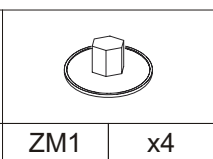
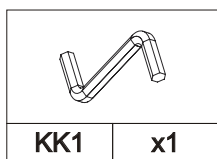
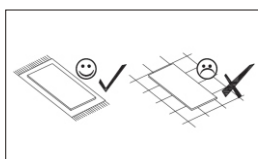
KK1	x1	ZM1	x4



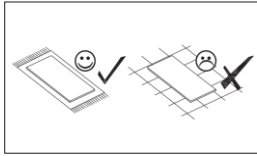
17



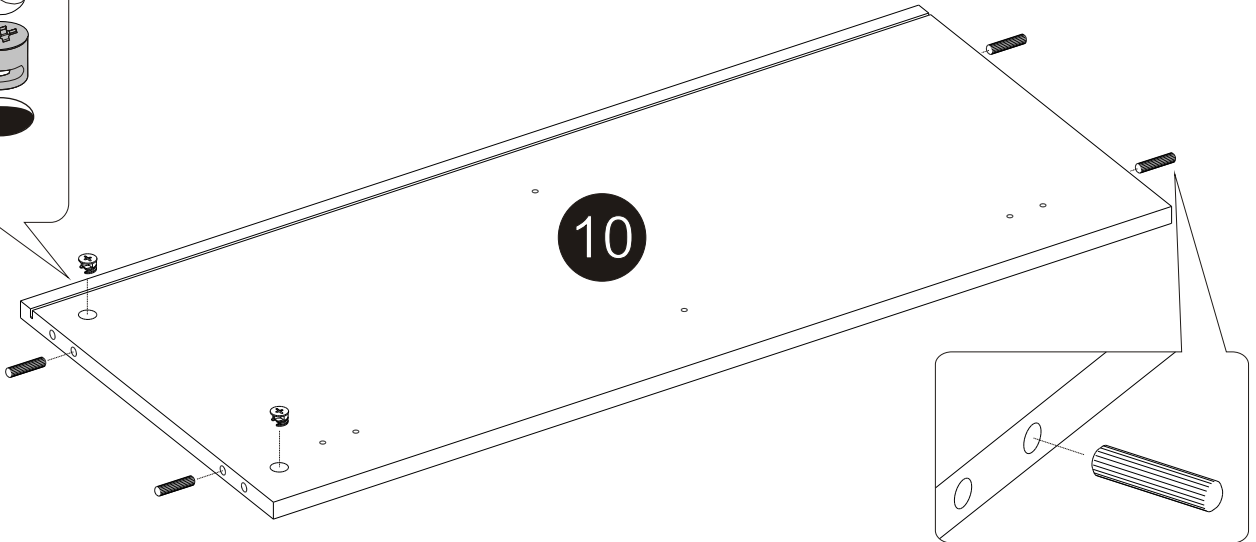
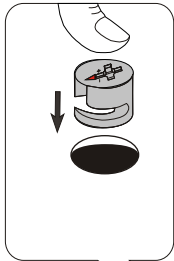
18



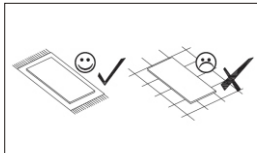
19



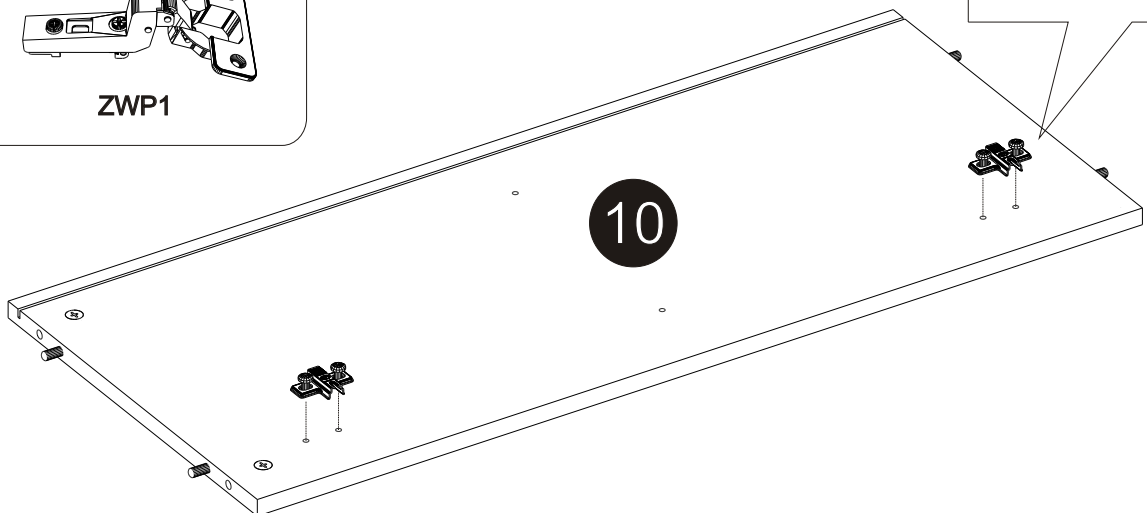
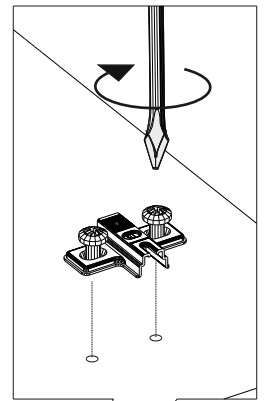
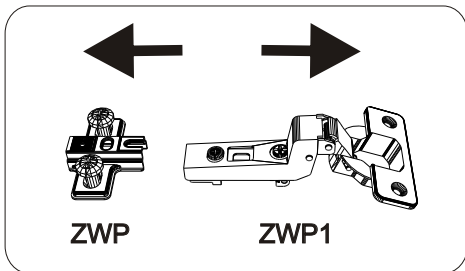
ZM1A	x2	KD1	x4



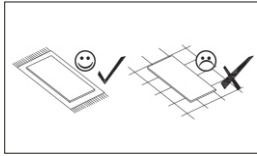
20


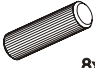


ZWP	x2

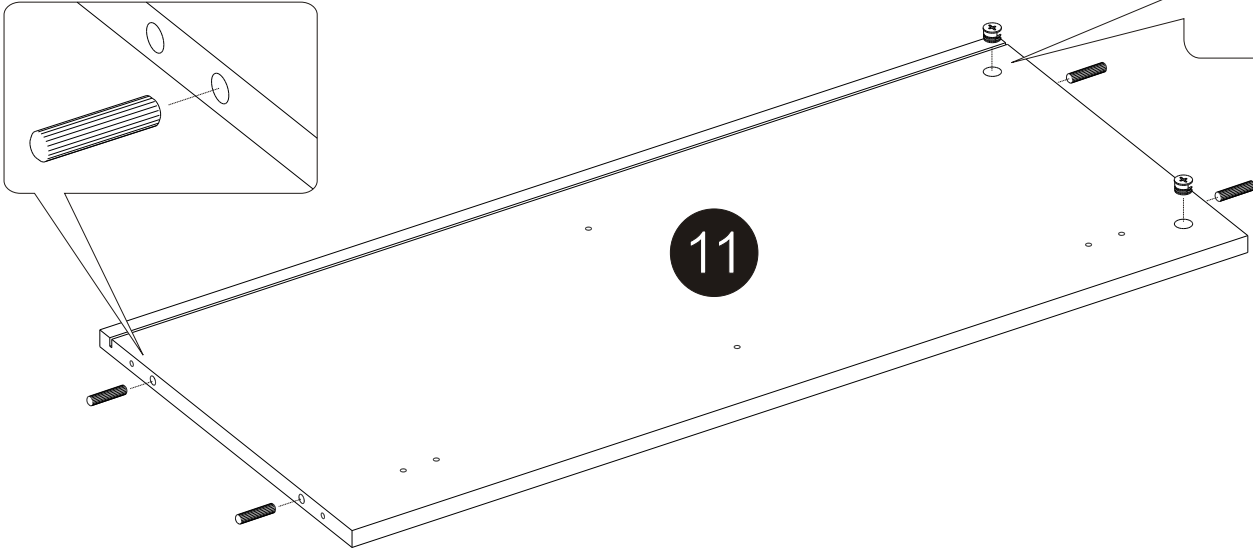
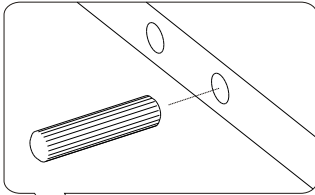
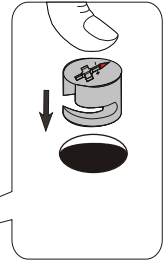


21

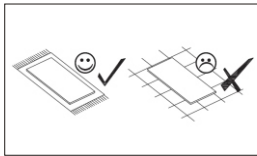


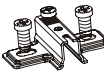
			
ZM1A	x2	KD1	x4

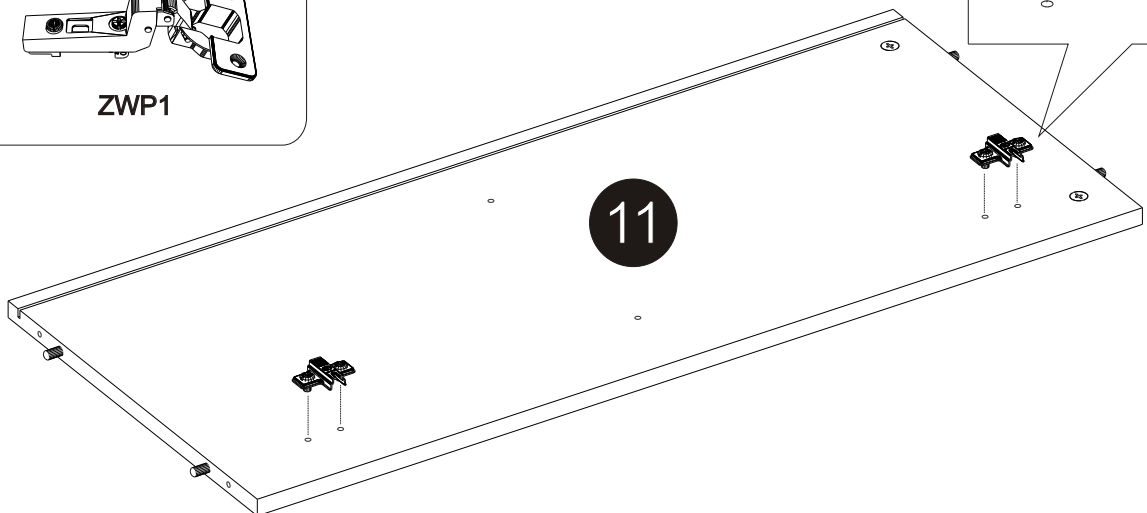
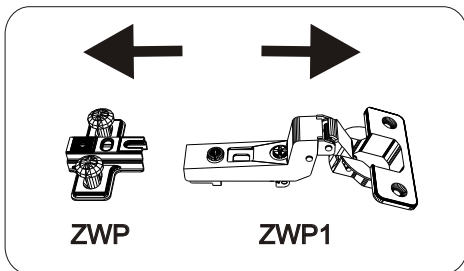
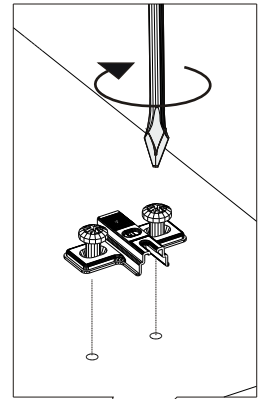
8x35



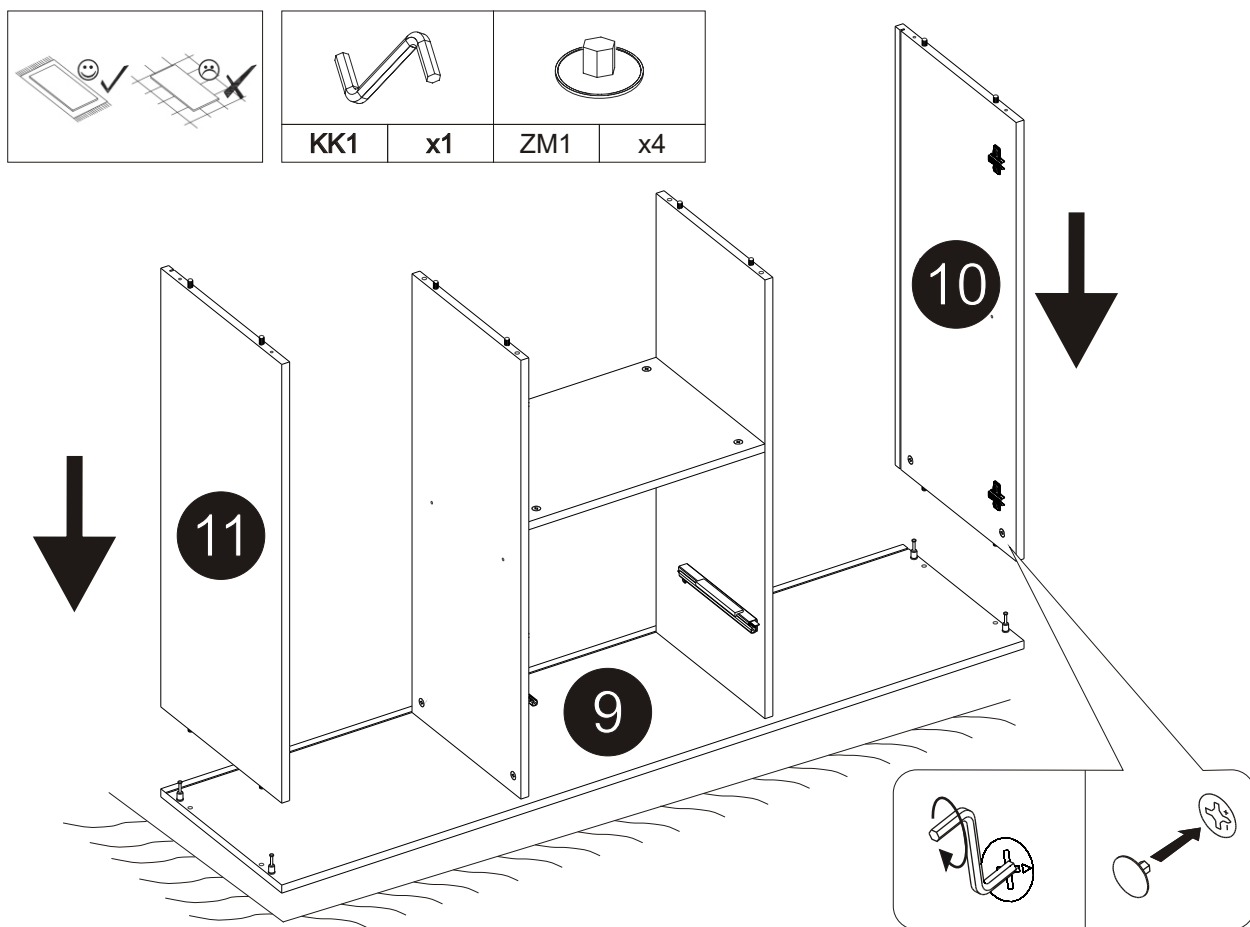
22



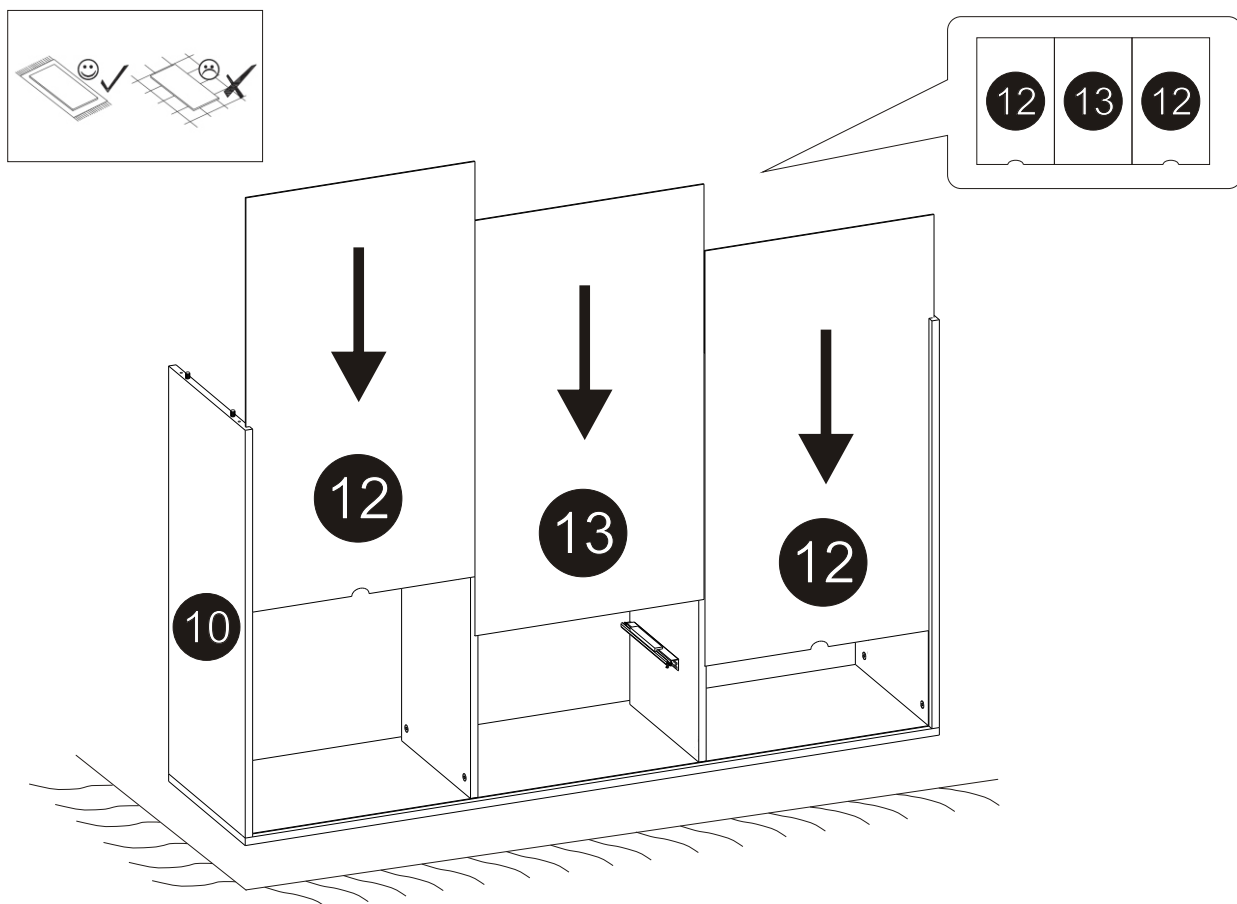
	
ZWP	x2



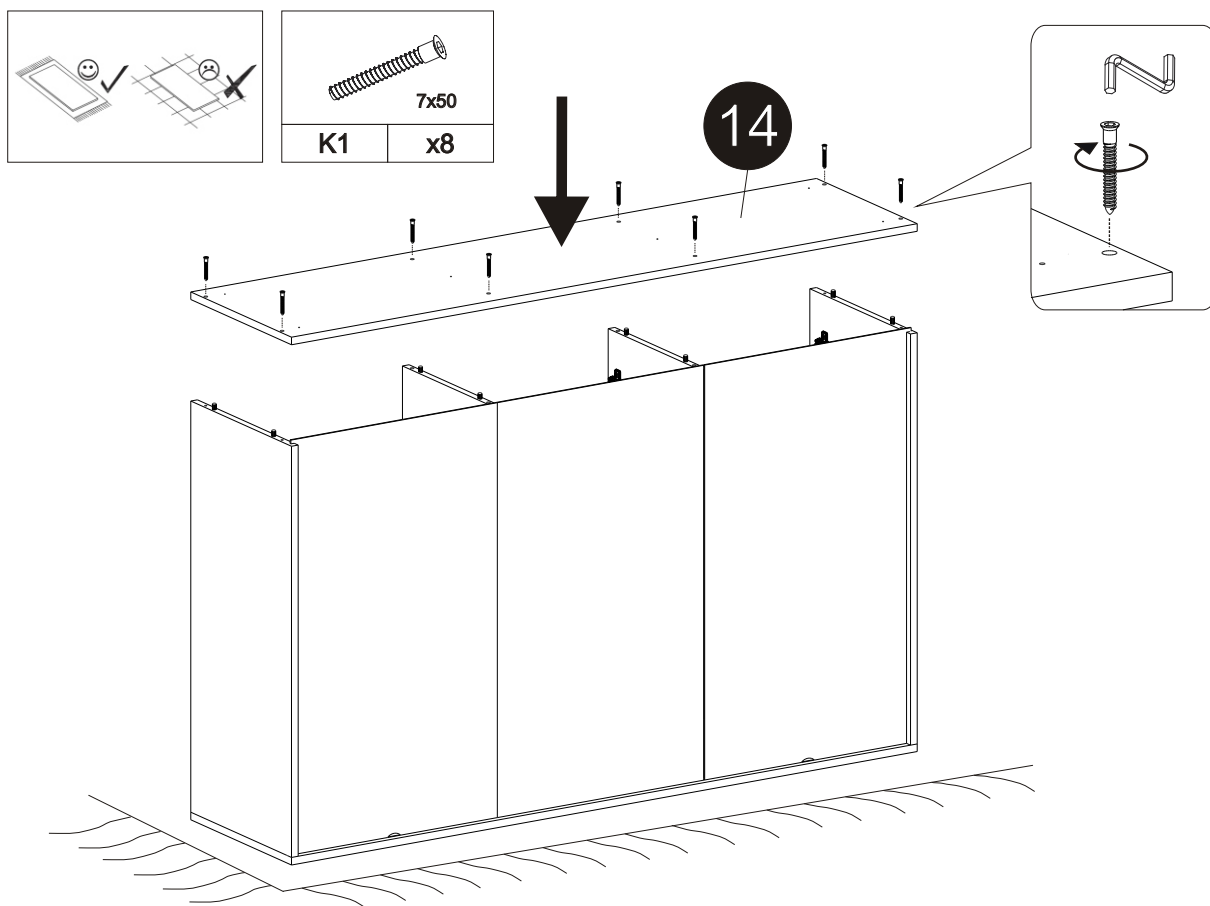
23



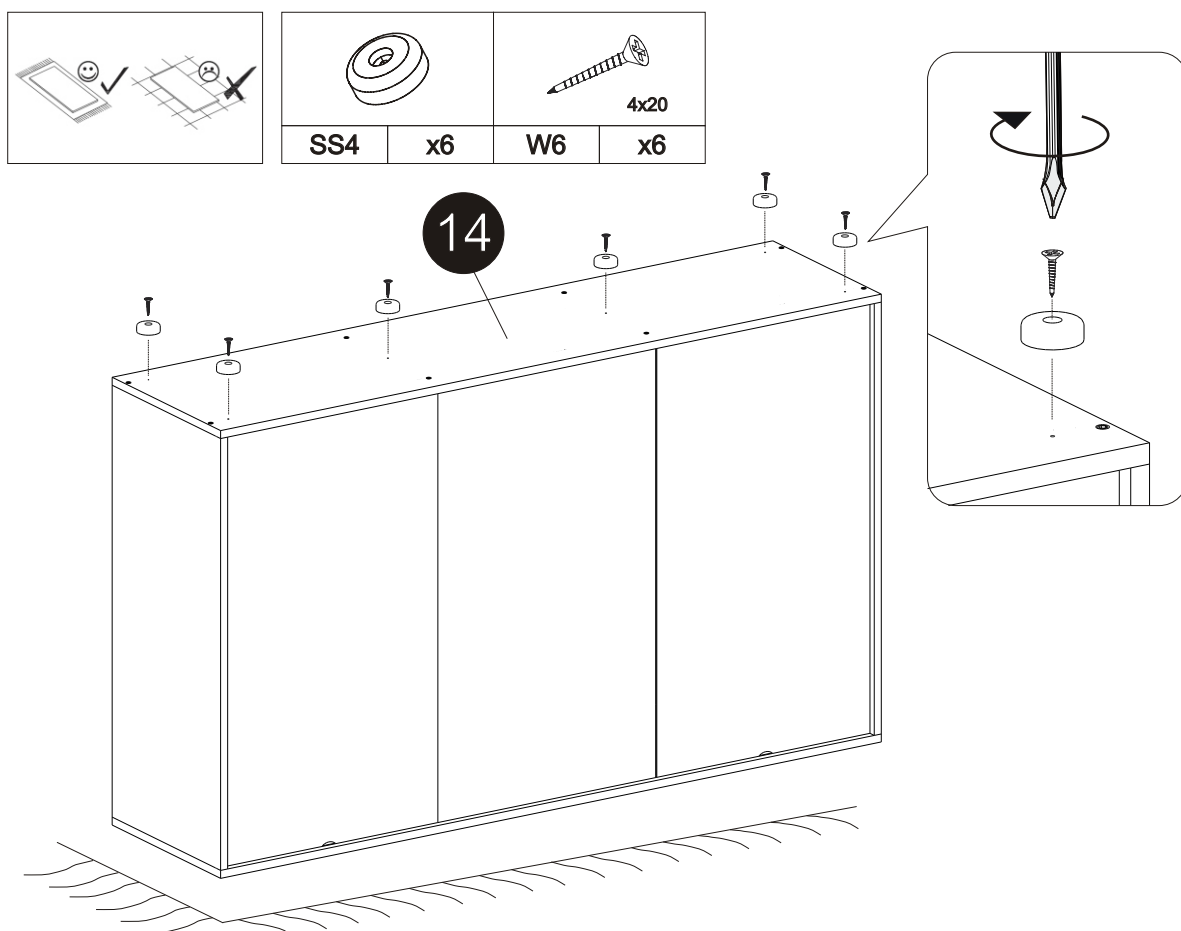
24



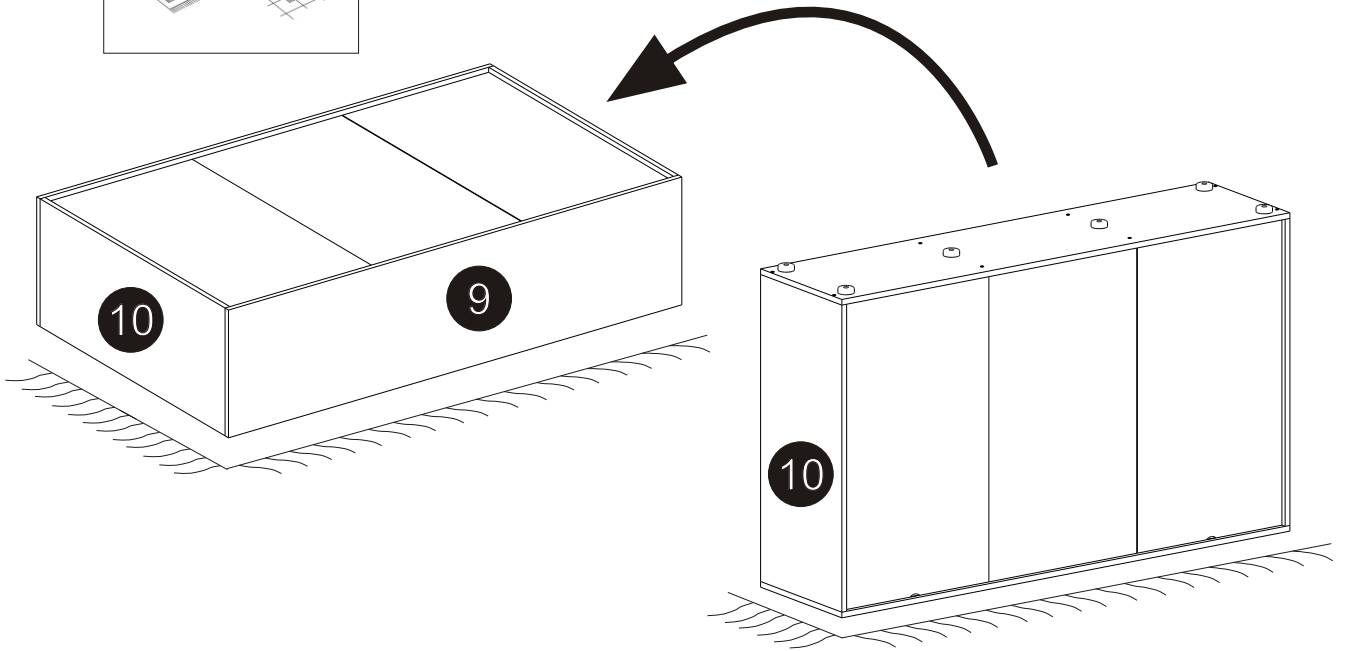
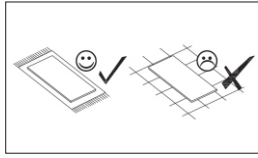
25



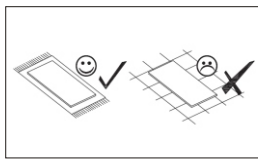
26



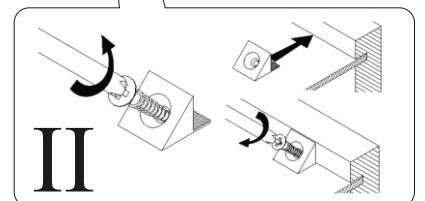
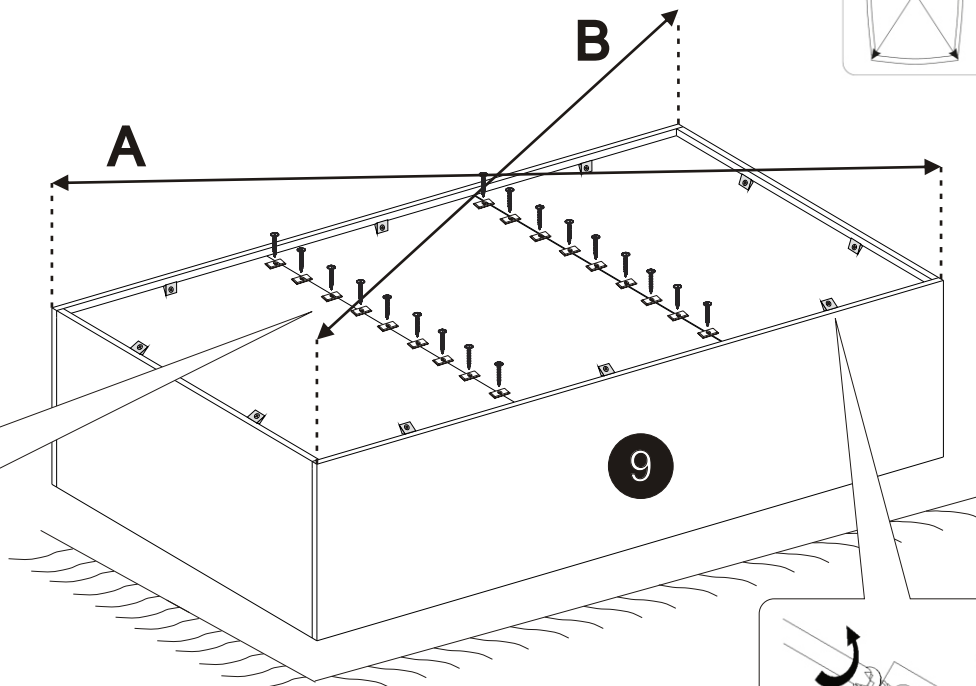
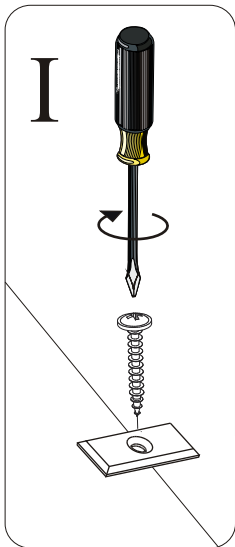
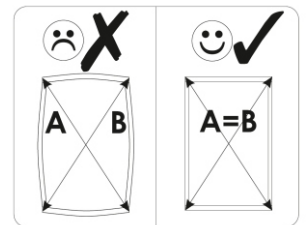
27



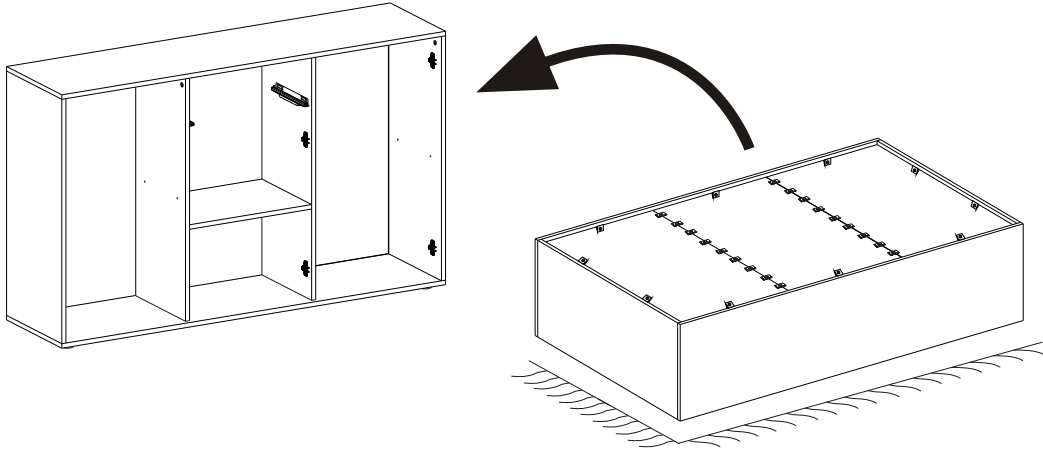
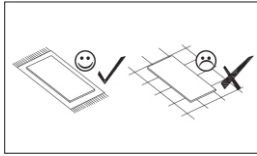
28



PL1	x18	W1	3x16 x18	S1	x10

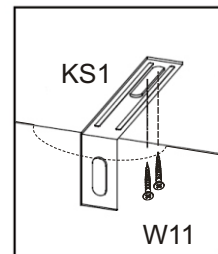
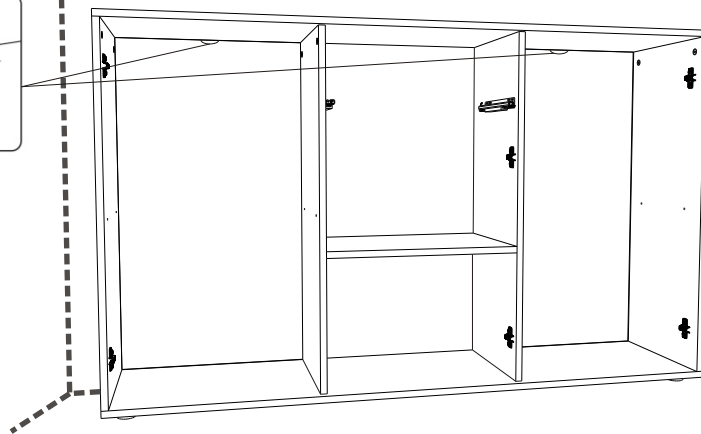
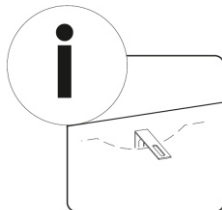
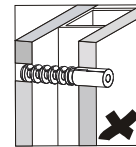


29



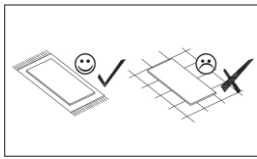
30

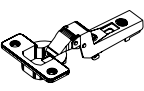
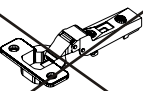

KS1	x2	W11	x4	KRW1	x2

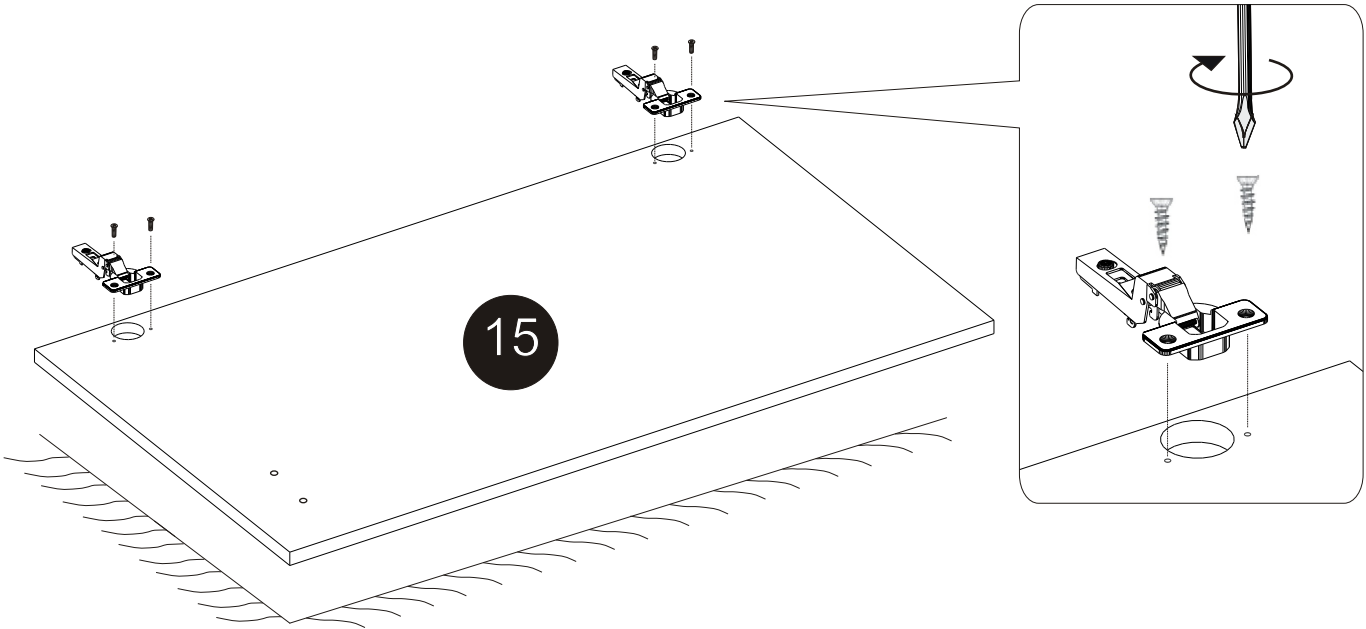


- 1 KS1
X=
- 2
- 3
- 4 =X
- 5 KRW1
- 6 KS1
KRW1
- 7
- 8 W11

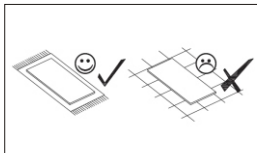
31

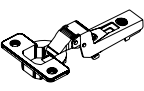
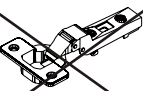



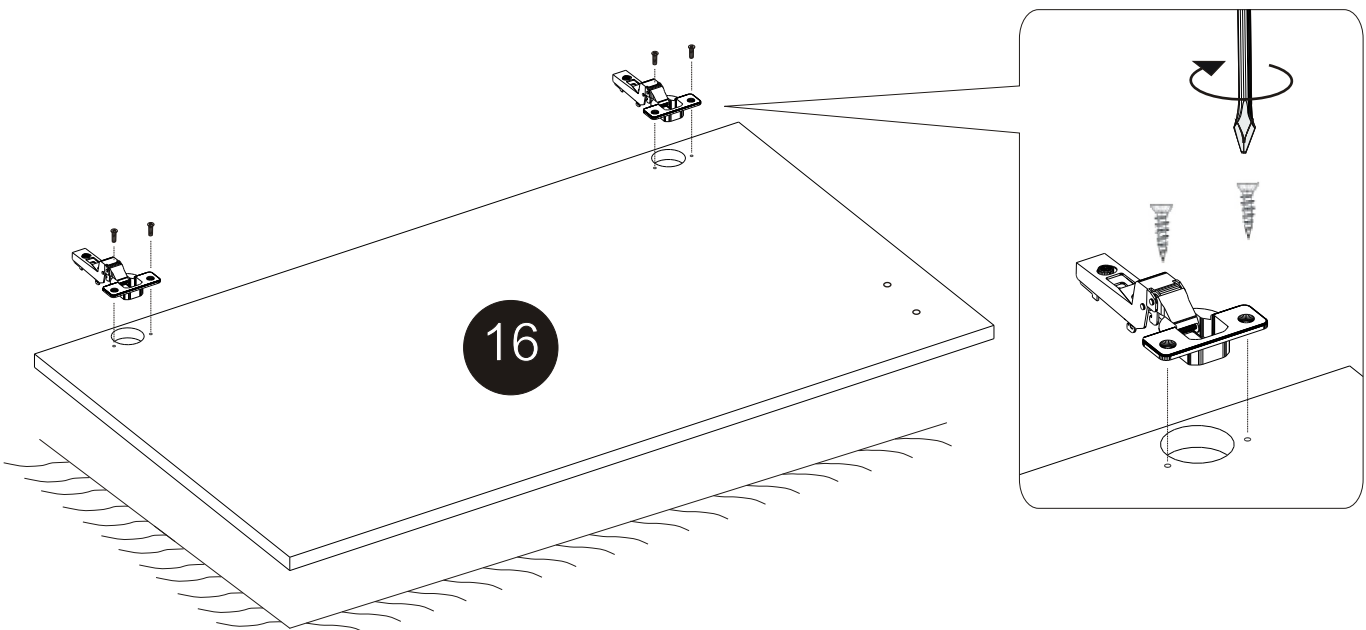
		
ZWP1	ZP1	4x13
x2	x2	x4



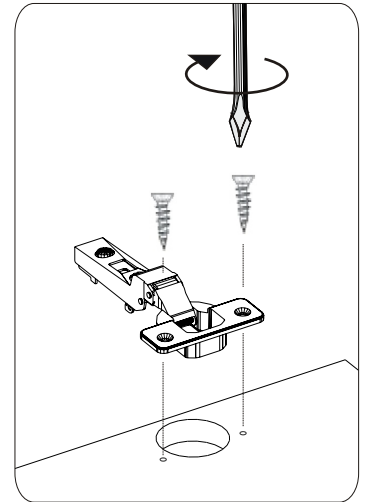
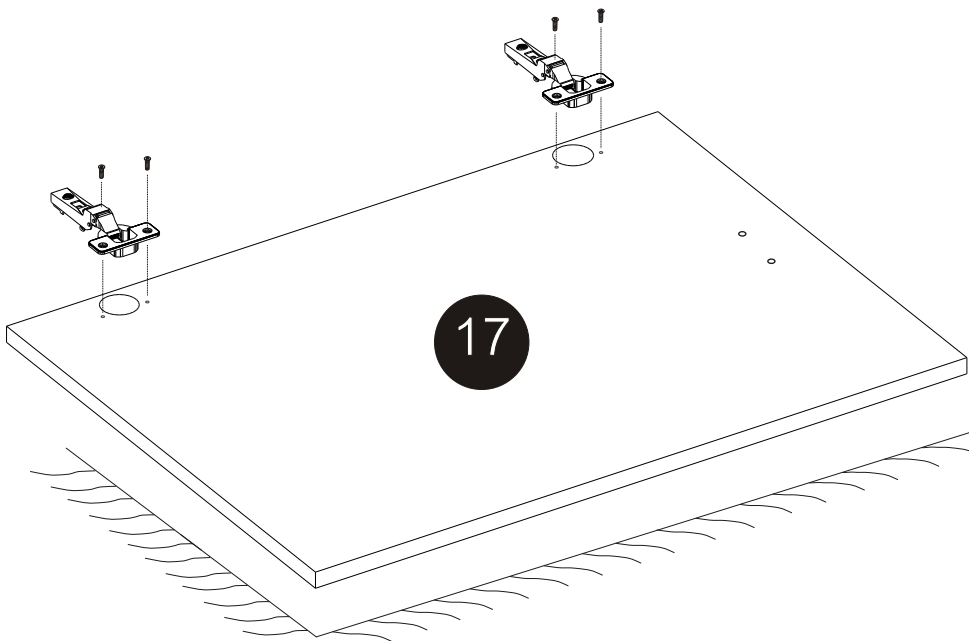
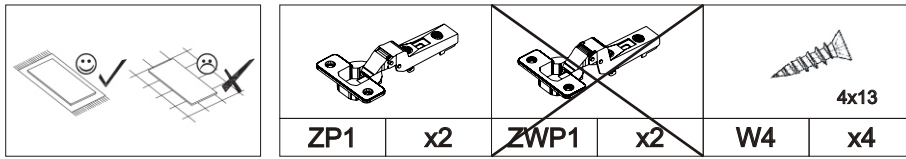
32



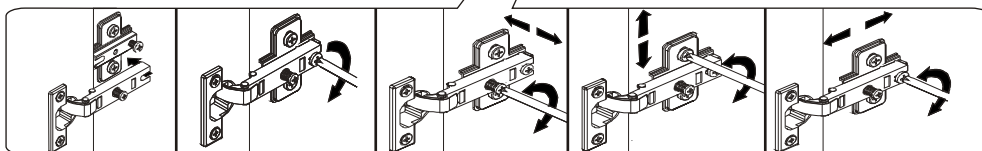
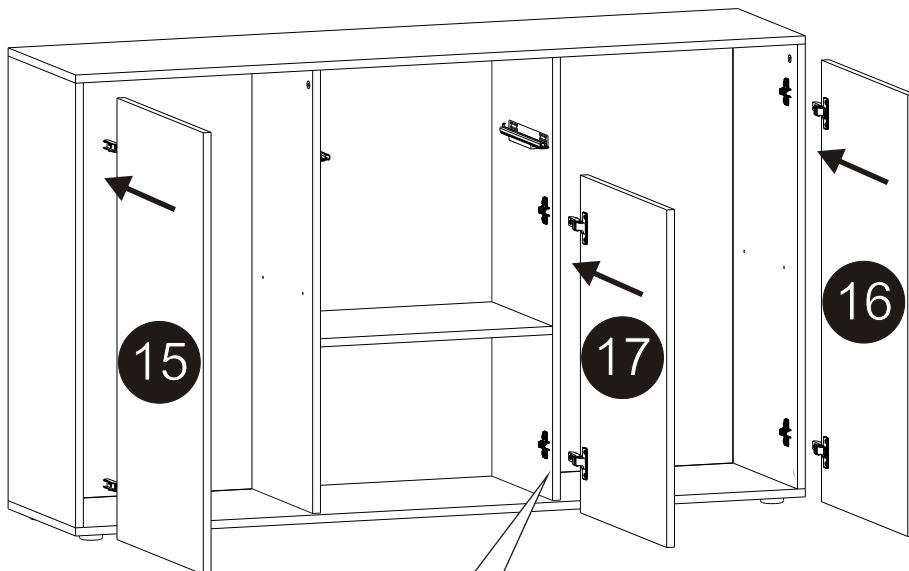
		
ZWP1	ZP1	4x13
x2	x2	x4



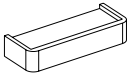

33

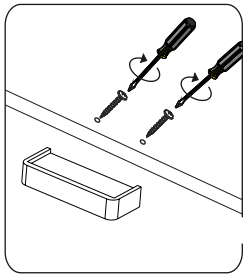
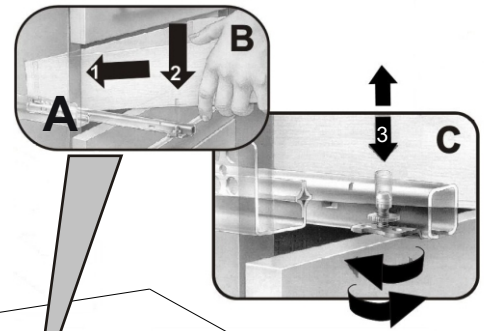


34

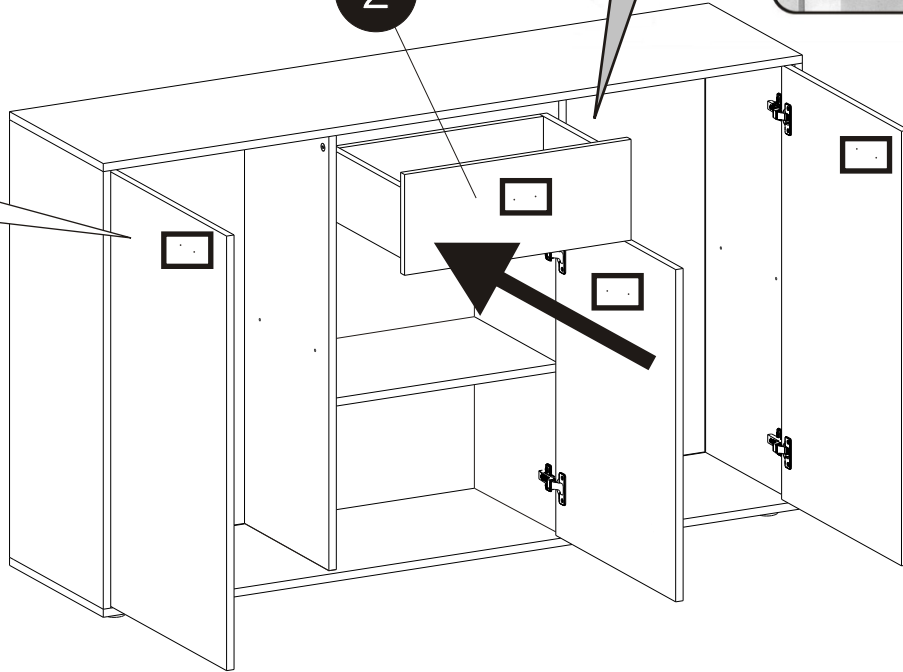


35


			
U71	x4	WU	x8

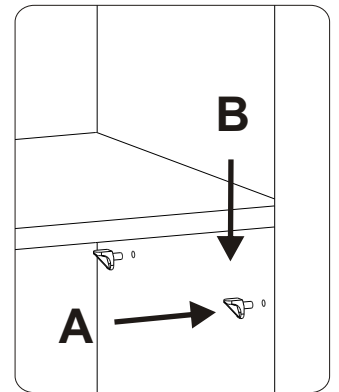


2



36

	
PP	x8



18

18



37

