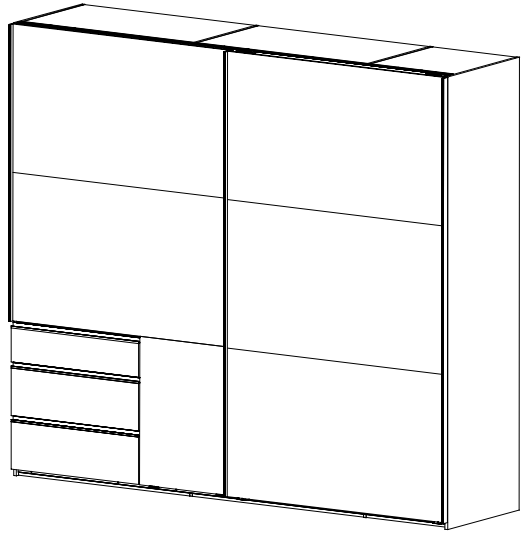
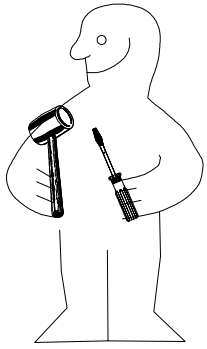
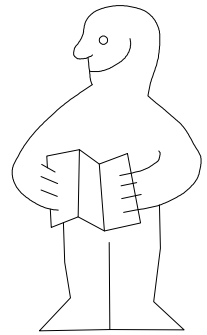
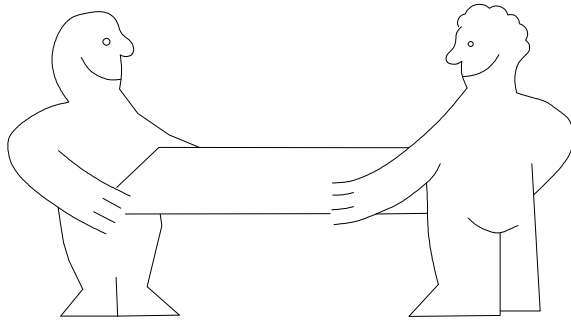
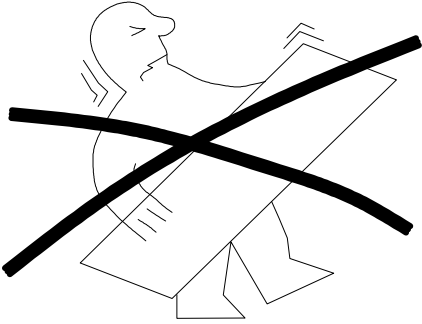




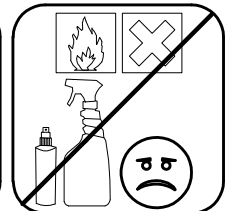
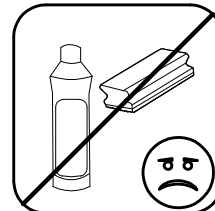
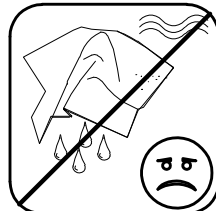
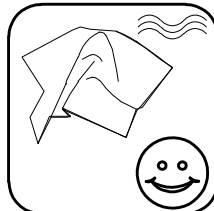
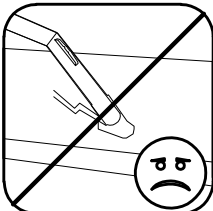
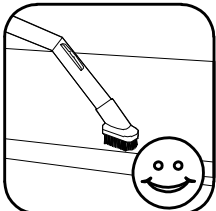
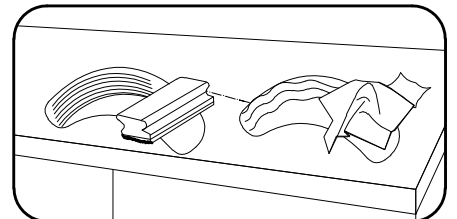
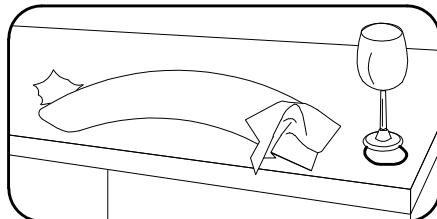
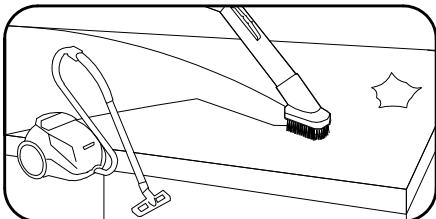
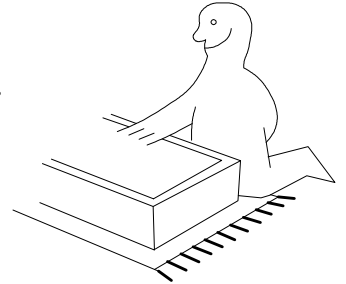
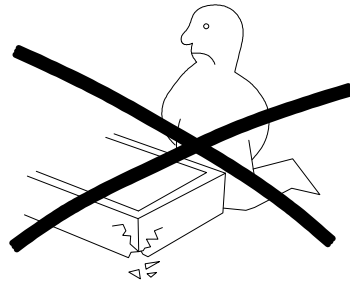
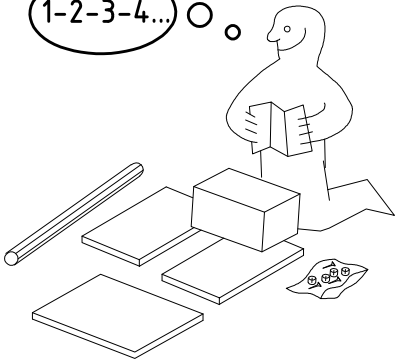
980711



HSP 250 ASK






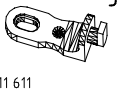
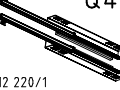
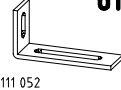
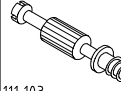


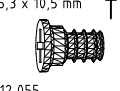
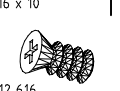

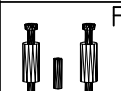
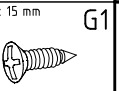
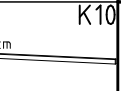

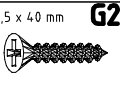
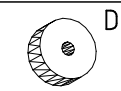
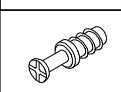

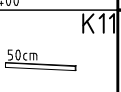

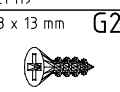
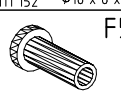
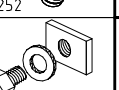
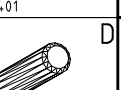
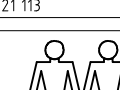

1-2-3-4... ○

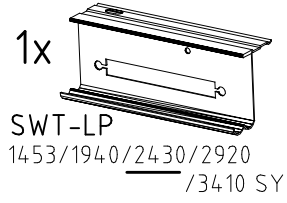
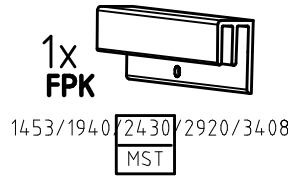


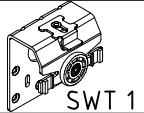
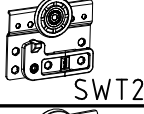
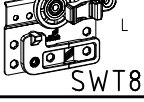
980711

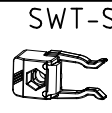
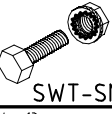
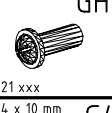

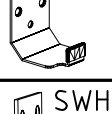
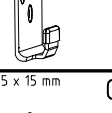
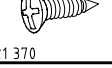
06.04.17 / -

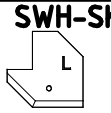

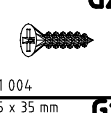
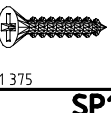
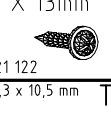
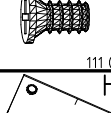
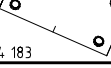
04 17 | 1/23

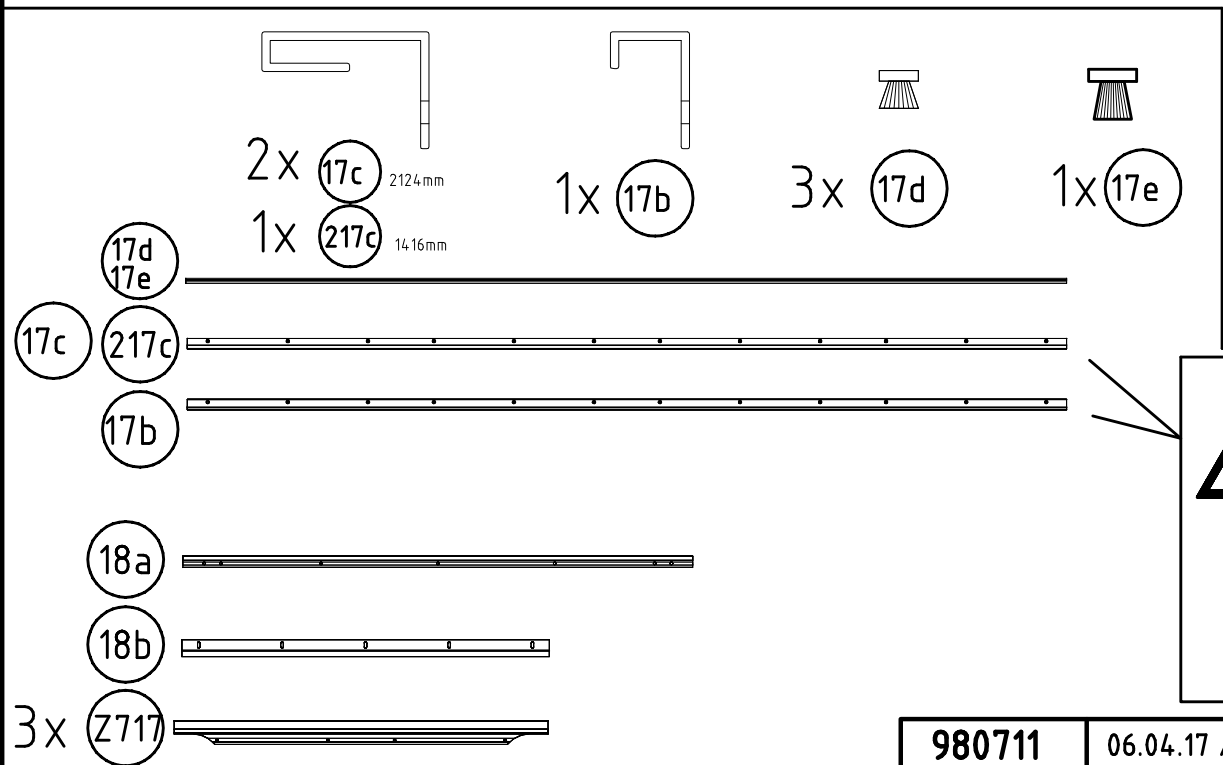
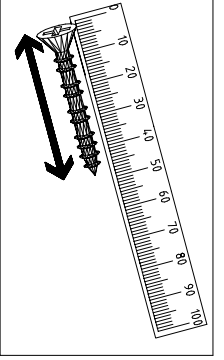
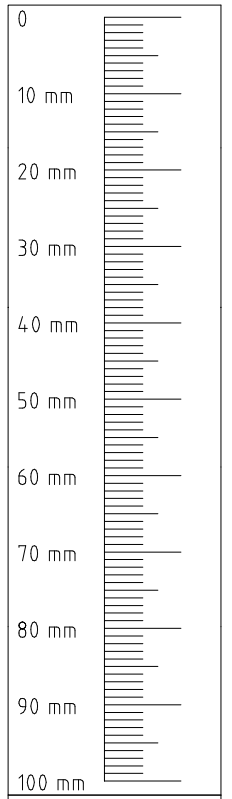
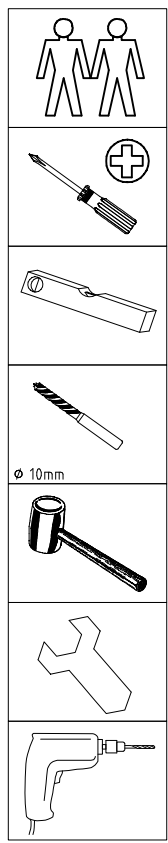
 A1 111 xxx	24x	 S0 111 300	14x	 K2 117 002	6x	 J2 111 611	8x	 Q45 112 220/1	3x	 o10 111 052	1x
 C 111 103	8x	 V12 111 xxx φ12	14x	 SBV	26x	 T1 6,3 x 10,5 mm	30x	 T3 M6 x 10	6x	 SP13 4 X 13mm	3x
 F3	8x	 G1 121 370 3,5 x 15 mm	40x	 K10 100cm	2x	 L8 112 055	16x	 G25 3,5 x 40 mm	7x	 D8 111 152 φ18 x 8 x 4	6x
 F 111 229	4x	 VB23 111 252	4x	 K11 50cm	1x	 Z 111 607	2x	 G21 3 x 13 mm	12x	 F5 111 xxx φ5 x 15 x M4	6x
		 SWT-STK	1x	 D 112 401	2x			 112 113		 MS 14 121 010 M4 x 14	6x

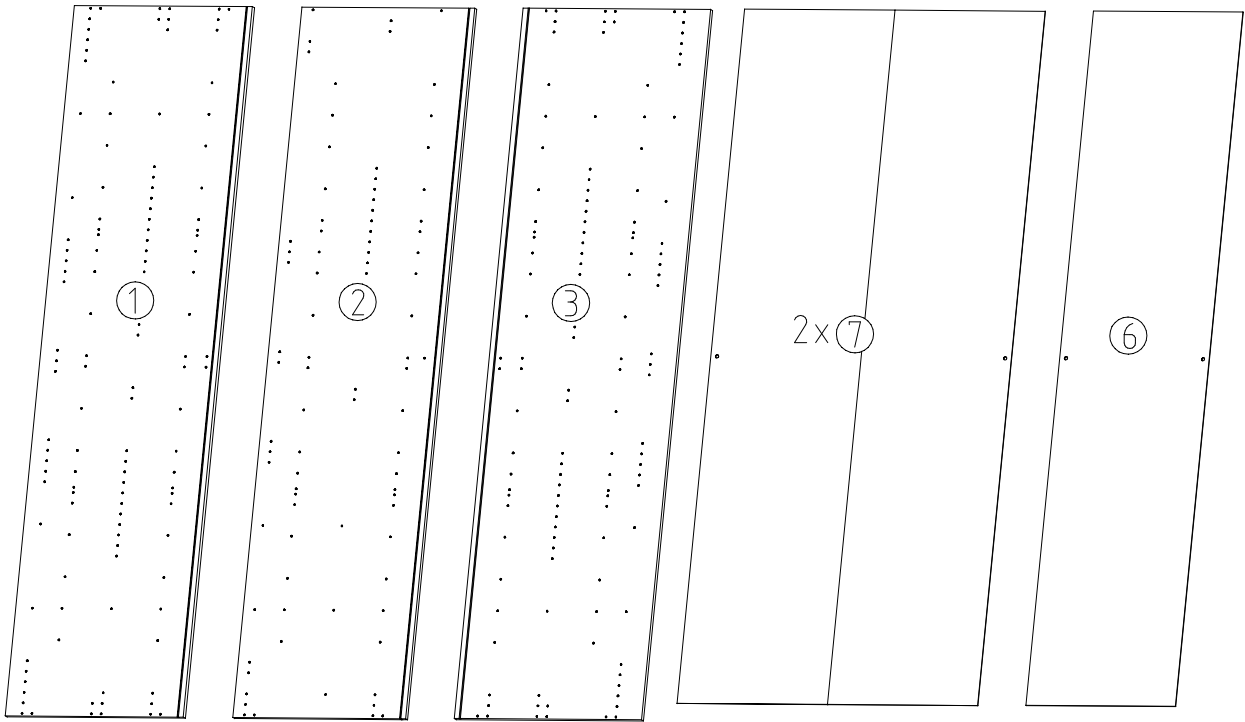


 SWT 1	2x
 SWT 2	1x
 SWT 8	1x

 SWT-ST	2x
 SWT-SM5 M4 x 13 mm	2x
 GH13 121 xxx	6x
 G43 M4 x 10 mm	6x
 SWH 6	2x
 SWH 7	2x
 G1 3,5 x 15 mm	1x

 SWH-SKL L	1x
 SWH-SKR R	1x
 G24 3,5 x 22 mm	8x
 G14 3,5 x 35 mm	2x
 SP13 4 X 13mm	73x
 T2 6,3 x 10,5 mm	24x
 H5 111 030	5x





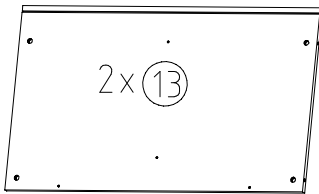
2160x577x15

2160x560x15

2160x607x15

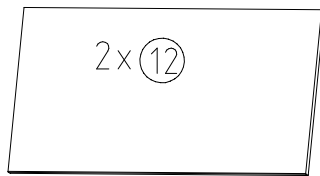
2111x973x2,5

2111x484x2,5



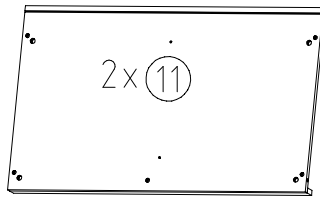
2x 13

964x560x15



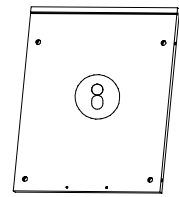
2x 12

964x500x18



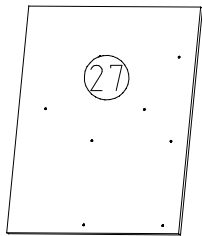
2x 11

964x560x47



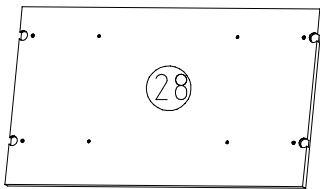
8

475x560x15



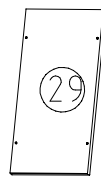
27

689x557x15



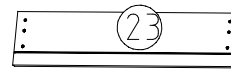
28

964x540x22



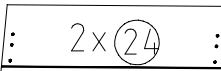
29

250x500x18



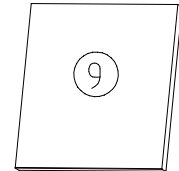
23

717x163x15



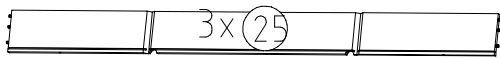
2x 24

717x227x15



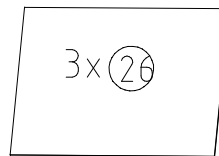
9

475x500x18



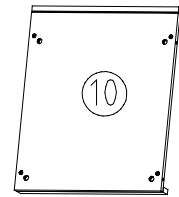
3x 25

450/675/450x126x12



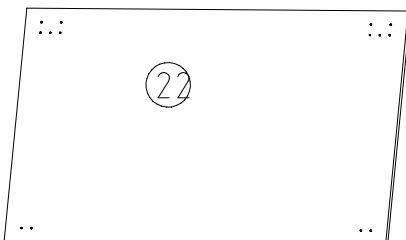
3x 26

661x449x2,5



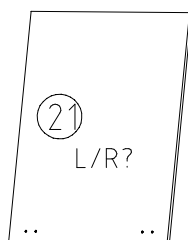
10

475x560x47



22

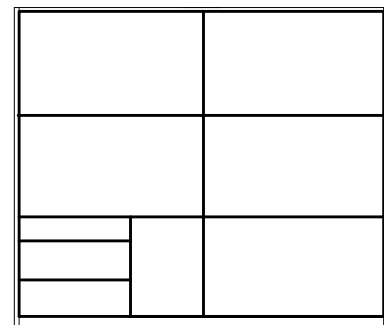
5x 1235x708x15



21

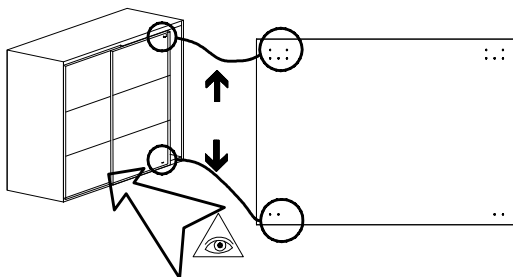
L/R?

513x708x15

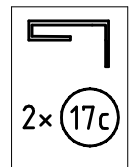
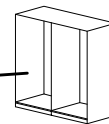
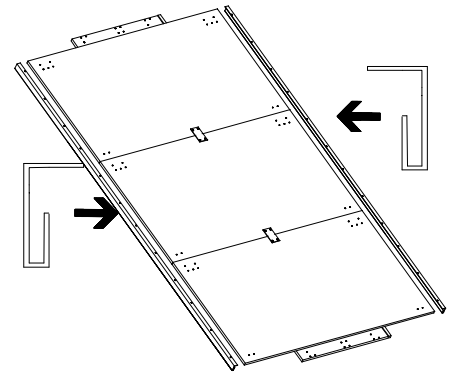
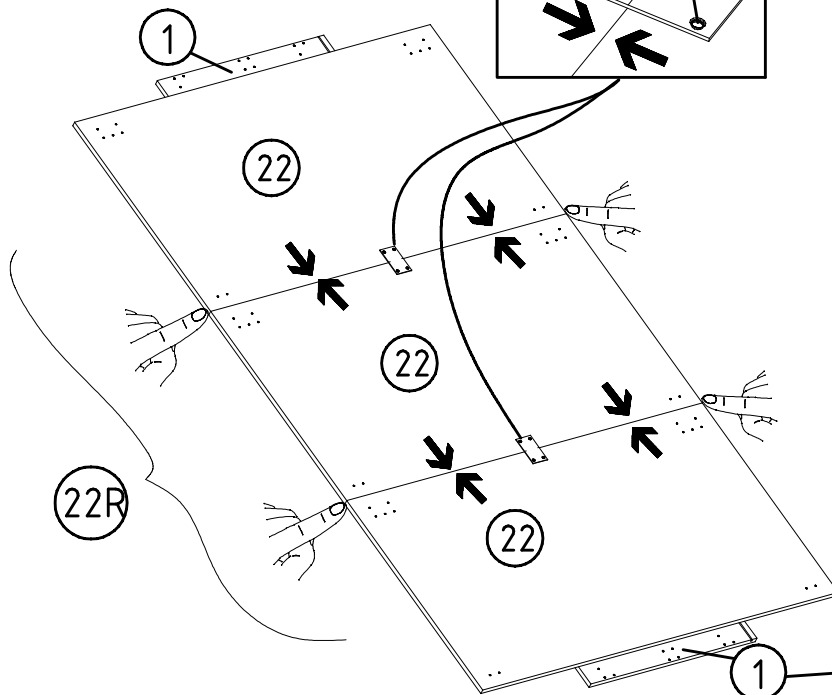
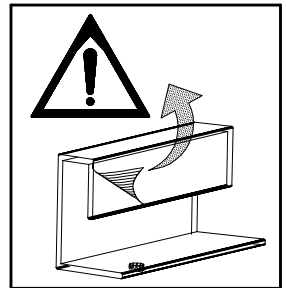
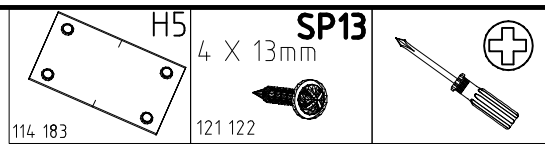
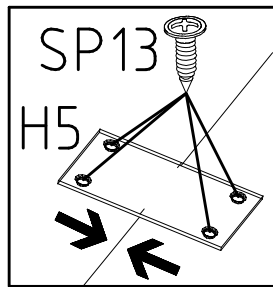
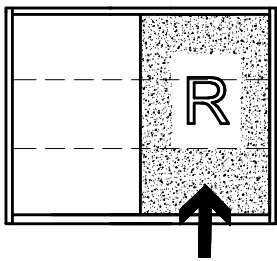


L

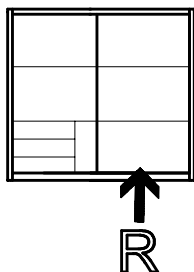
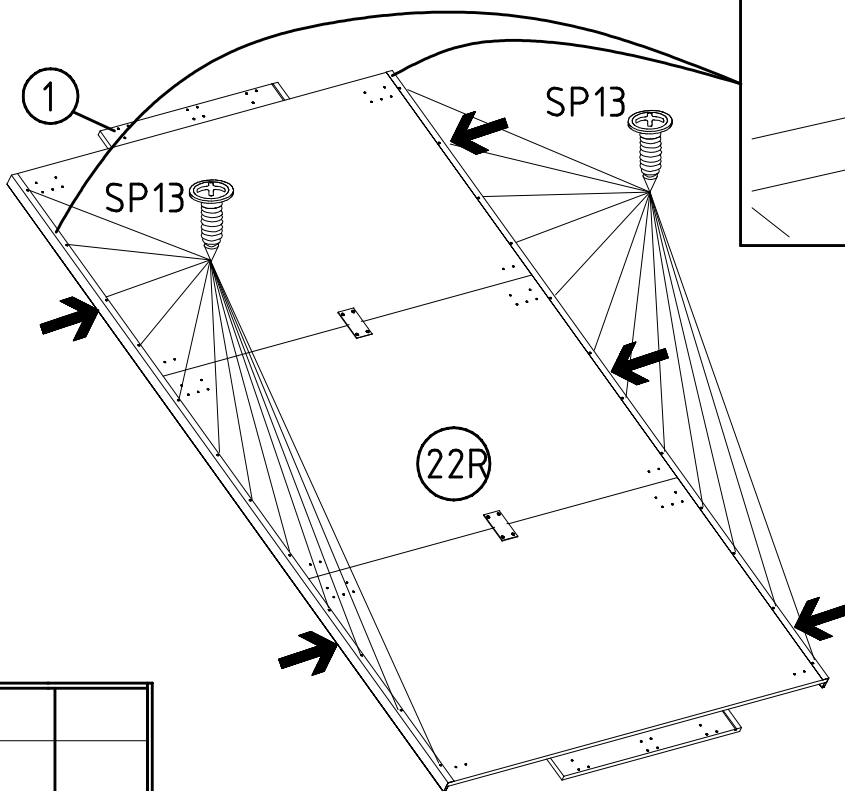
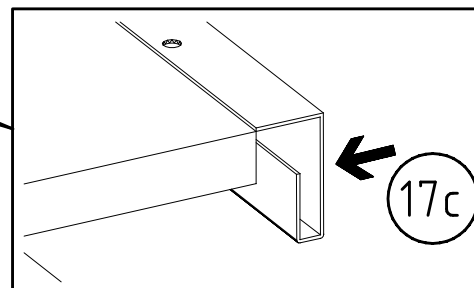
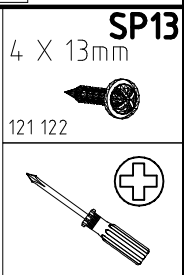
R



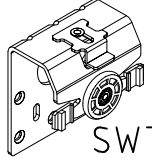
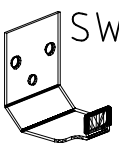

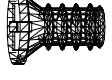
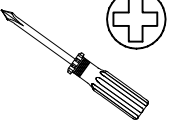
1

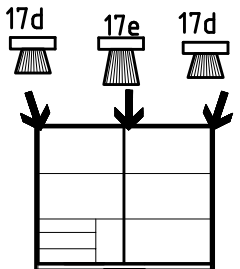
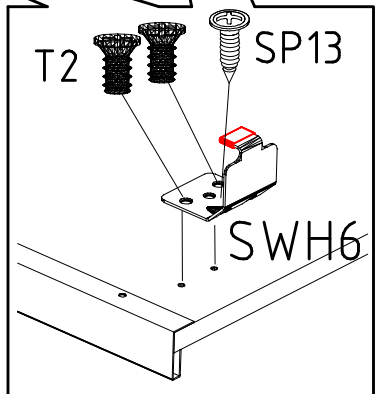
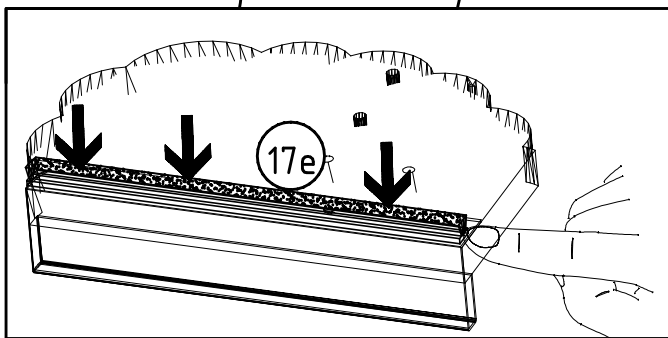
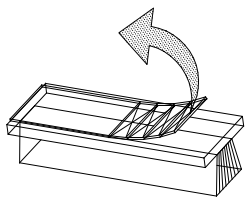
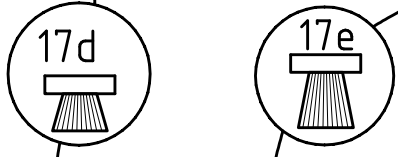
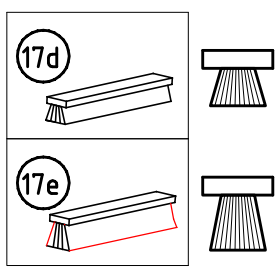
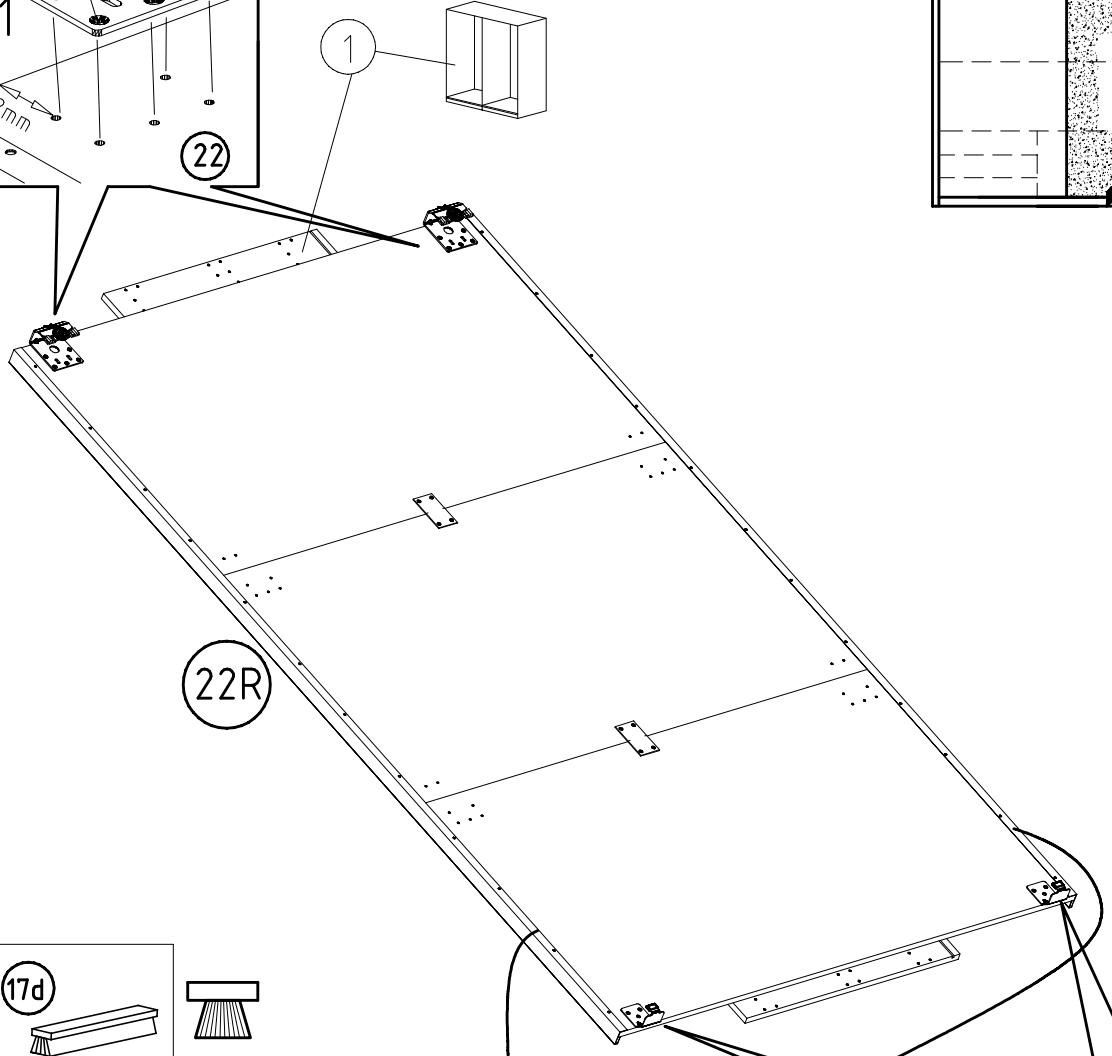
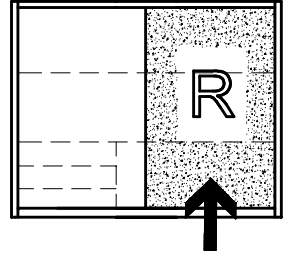
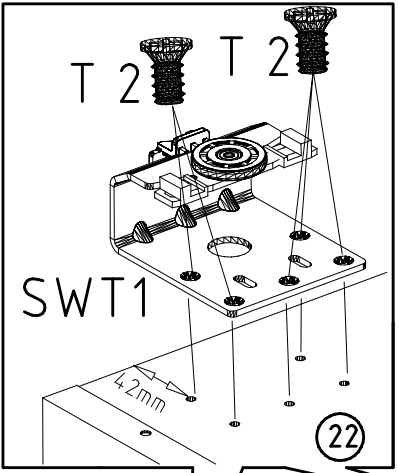


2

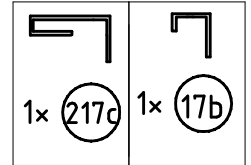
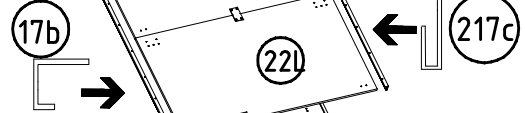
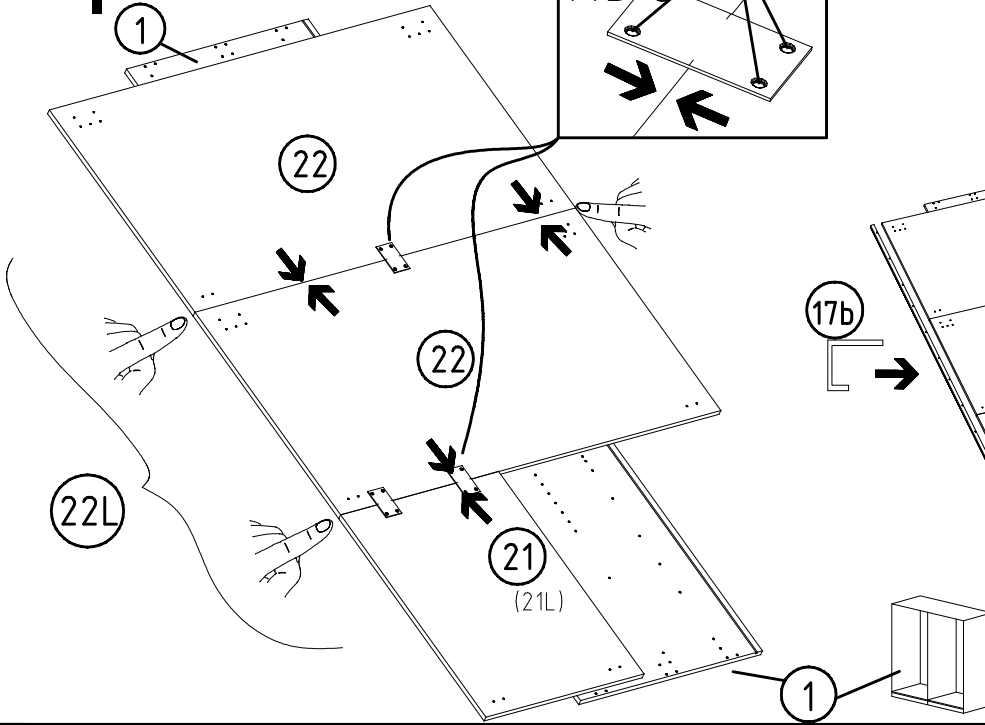
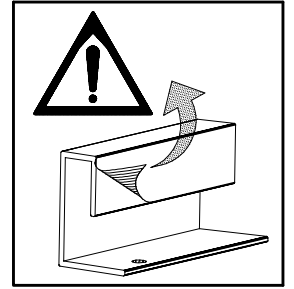
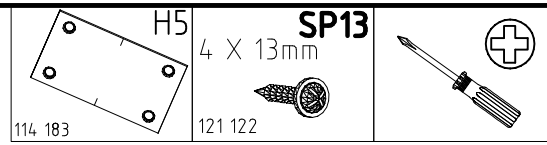
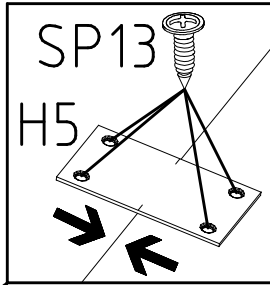
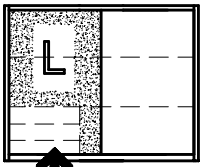


3

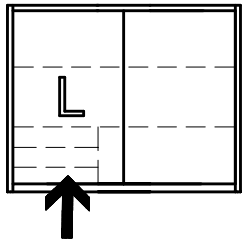
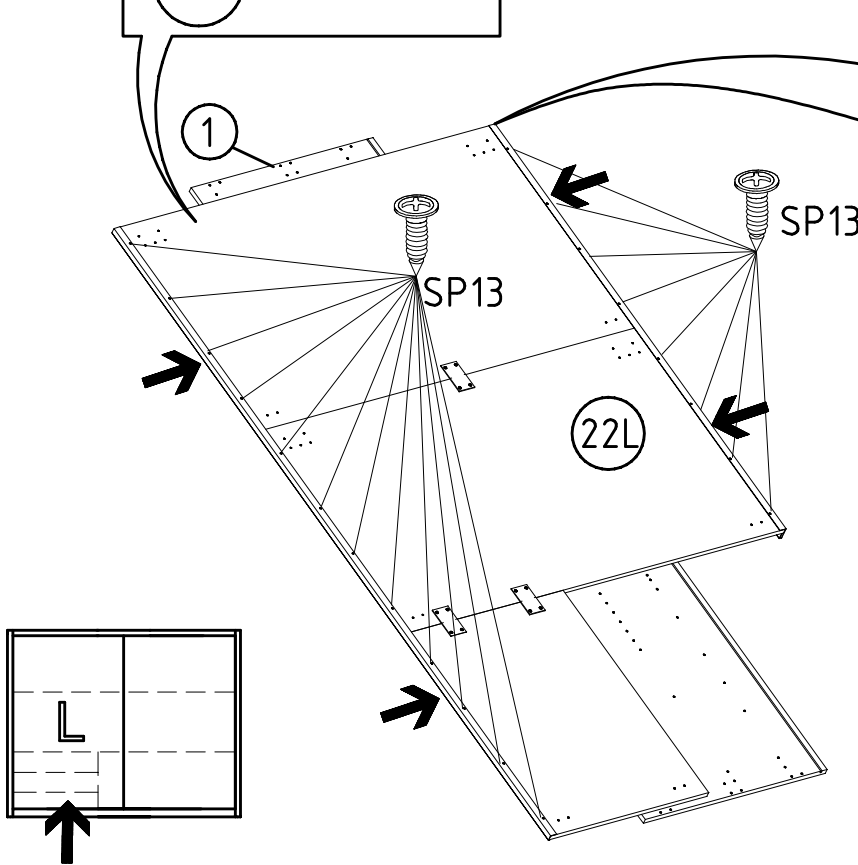
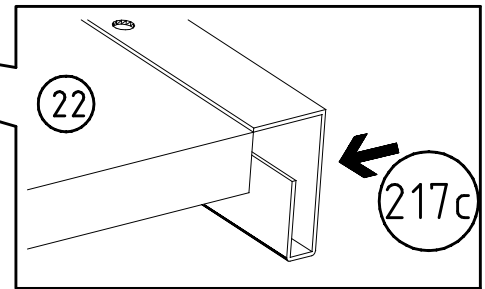
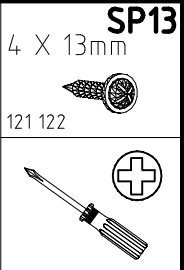
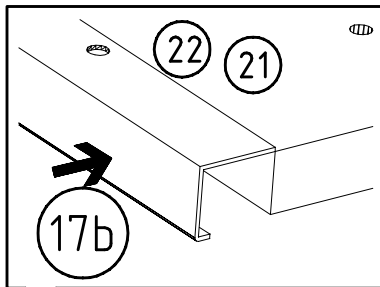
 <p>SWT 1</p>	 <p>SWH 6</p>	<p>4 X 13mm</p>  <p>SP13</p> <p>121 122</p>	<p>6,3 x 10,5 mm</p>  <p>T2</p> <p>111 030</p>	
---	---	---	--	--



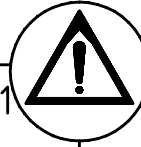
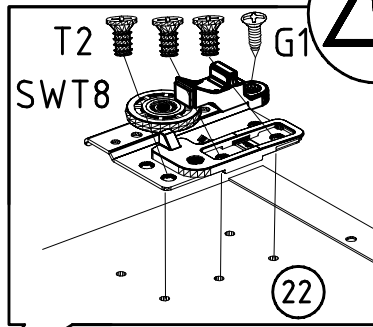
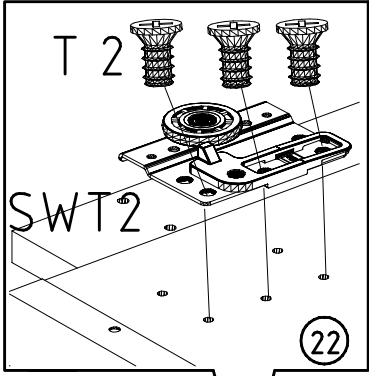
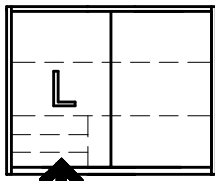
4



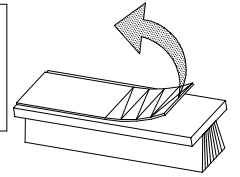
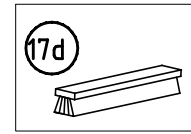
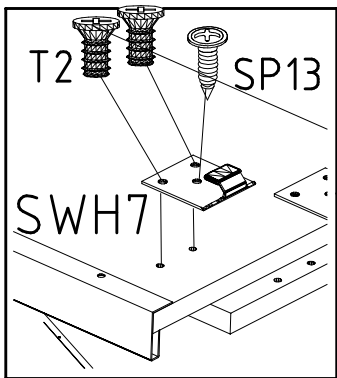
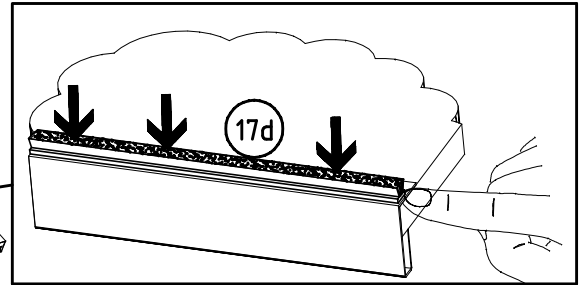
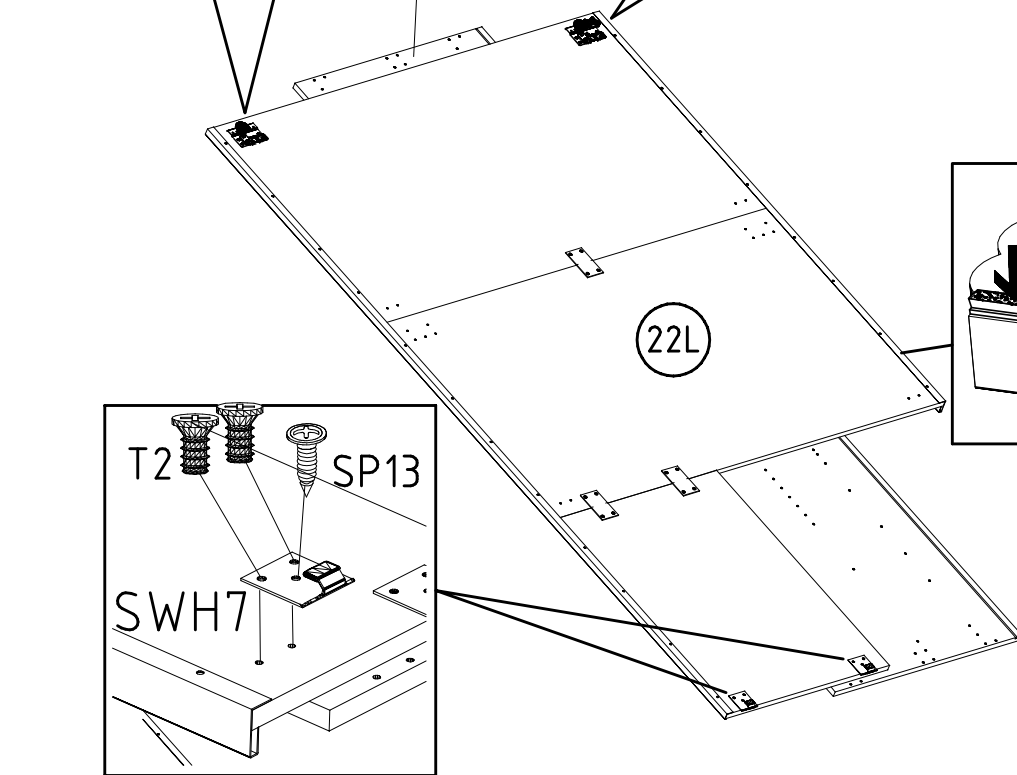
5



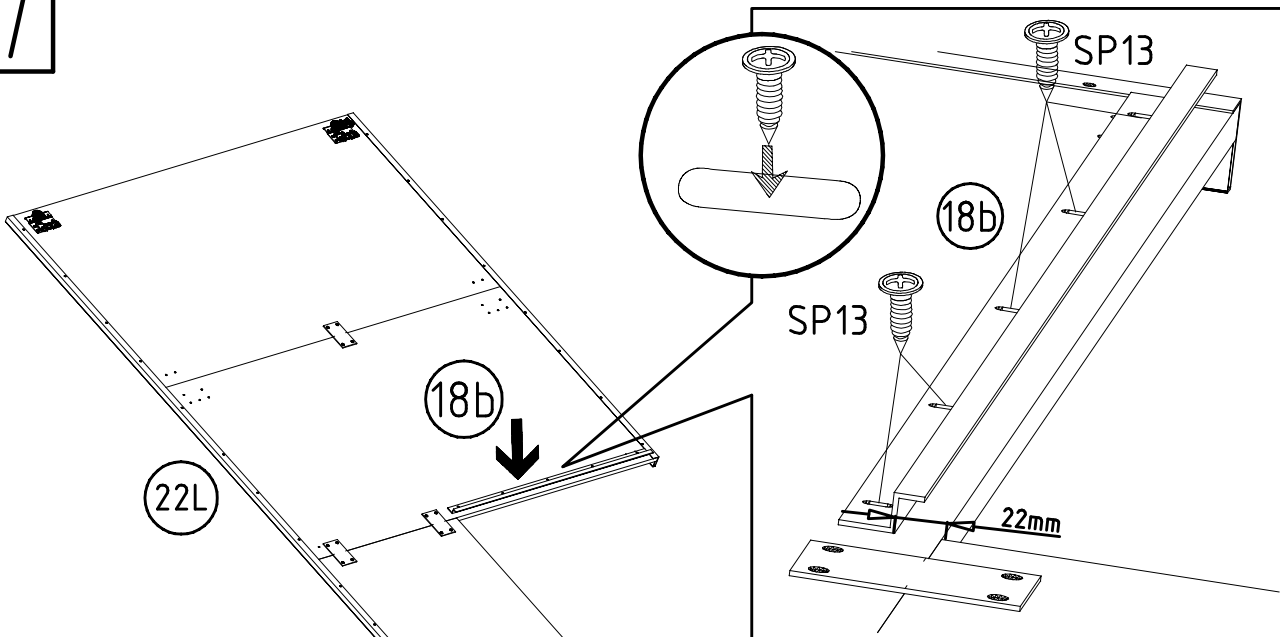
6



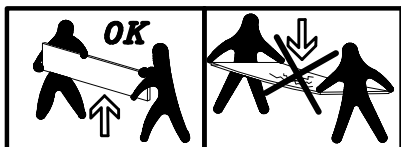
SWT2	SWT8
6,3 x 10,5 mm T2	SWH 7
111 030	
3,5 x 15 mm G1	SP13
	4 X 13mm
121 370	
	121 122



7



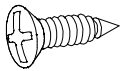
SP13
4 X 13mm
121 122



8

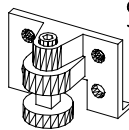
3,5 x 15 mm

G1



121 370

S0



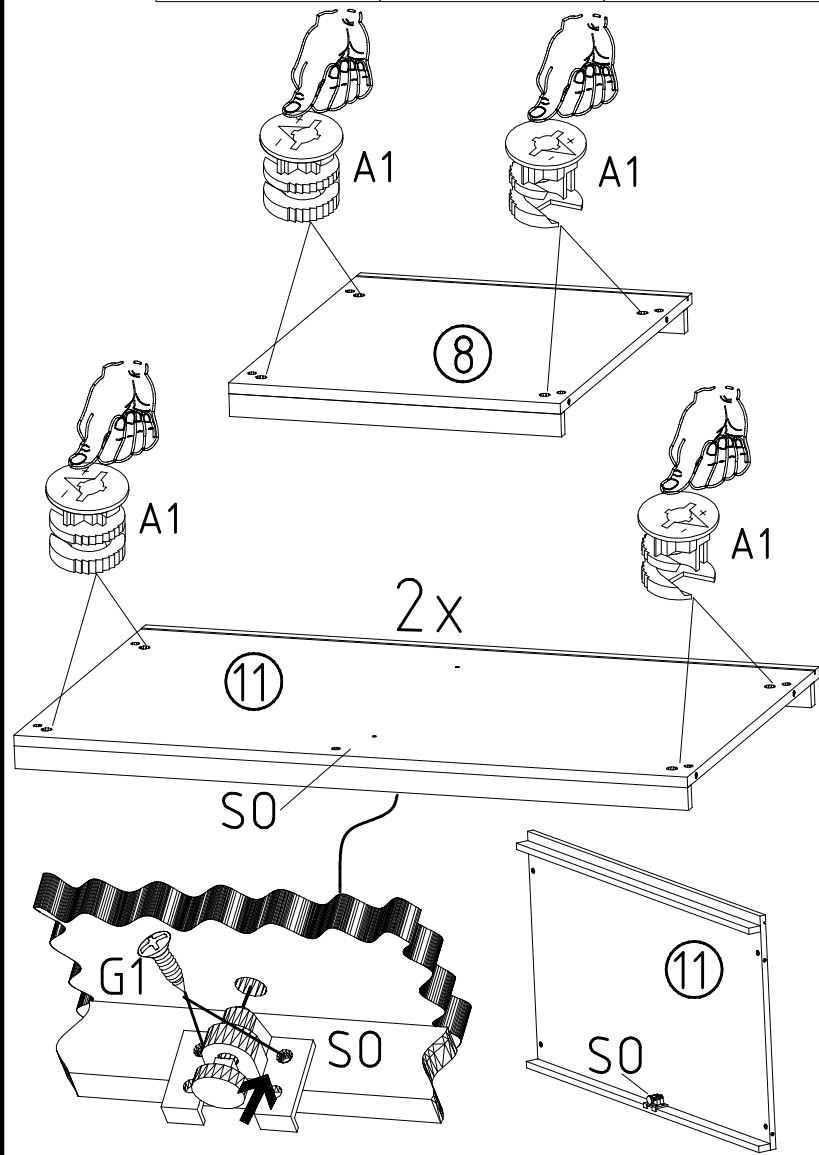
111 300

A1



111 xxx

10

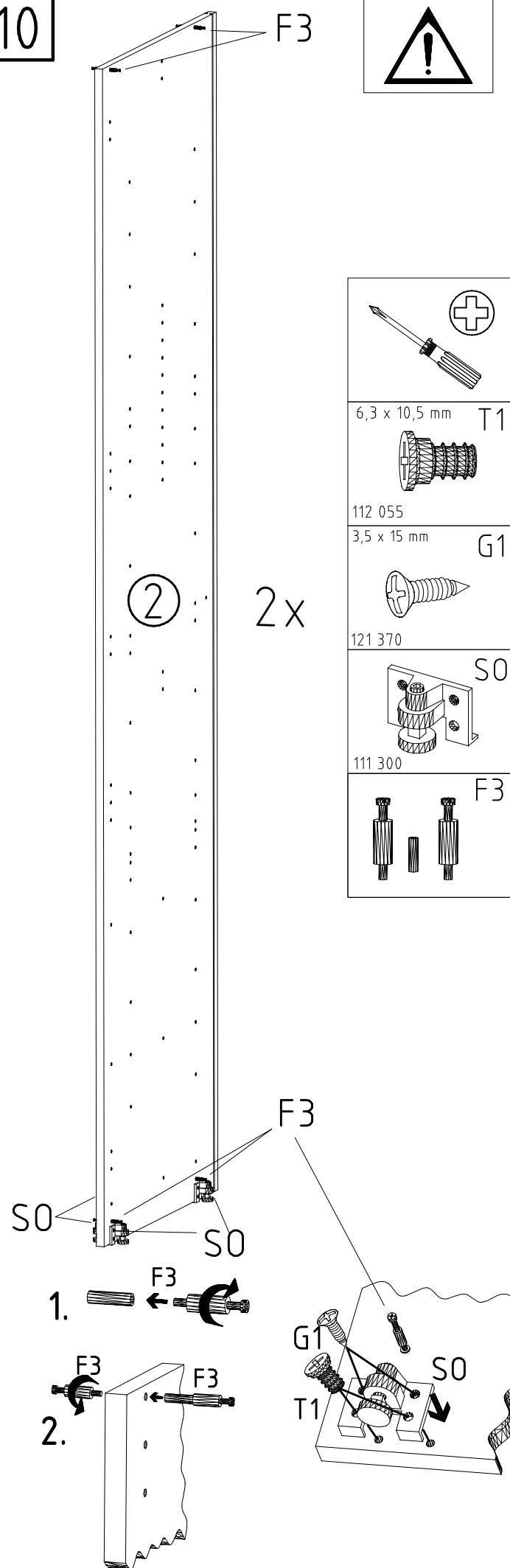
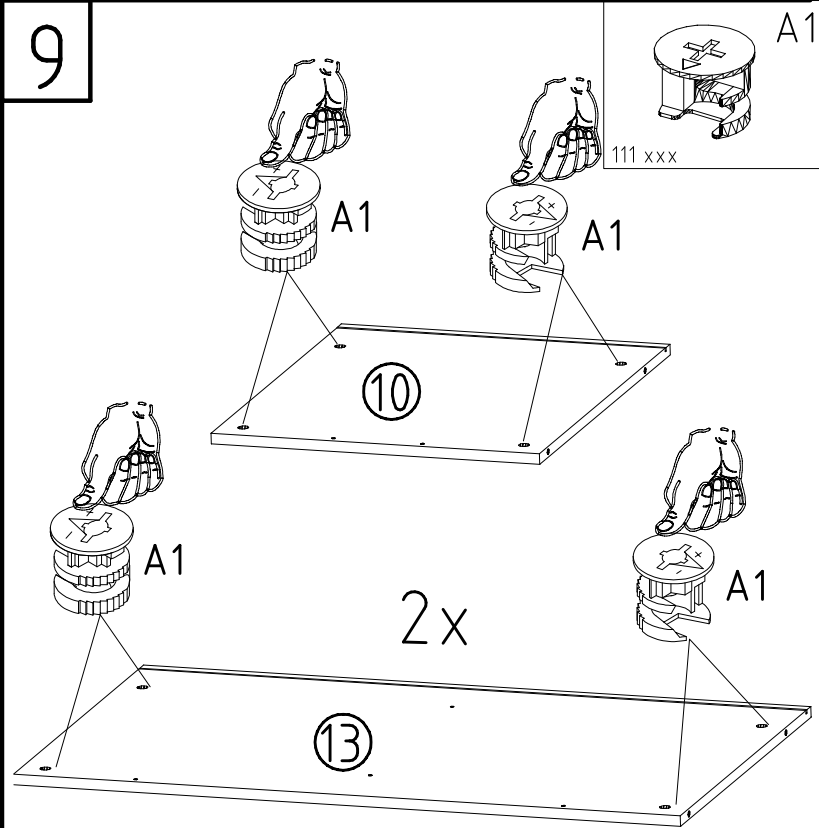


9

A1



111 xxx

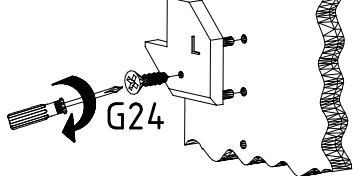


Tool and parts list for step 10:

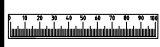
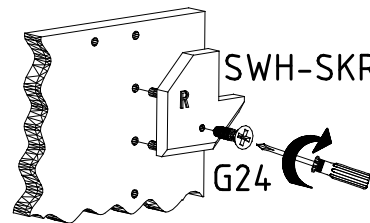
- 6,3 x 10,5 mm T1
- 112 055
- 3,5 x 15 mm G1
- 121 370
- S0
- 111 300
- F3

11

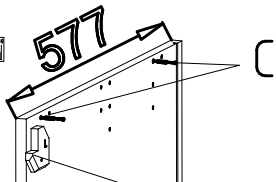
SWH-SKL



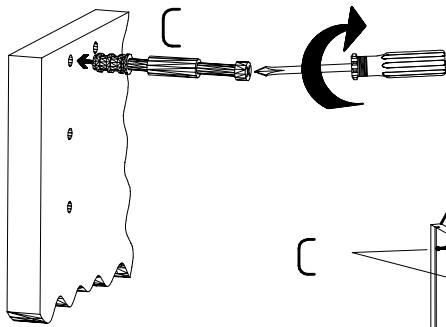
SWH-SKR



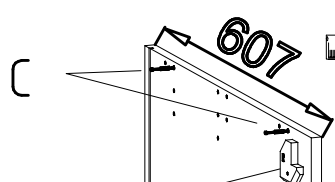
577



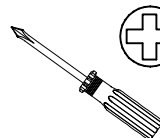
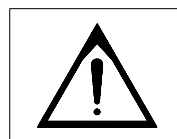
SWH-SKL + G24



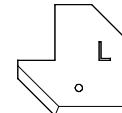
607



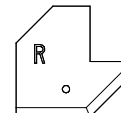
SWH-SKR + G24



SWH-SKL



SWH-SKR

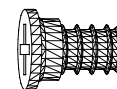


3,5 x 22 mm G24



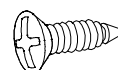
121 004

6,3 x 10,5 mm T1

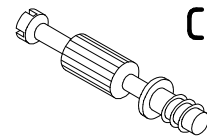


112 055

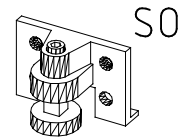
3,5 x 15 mm G1



121 370



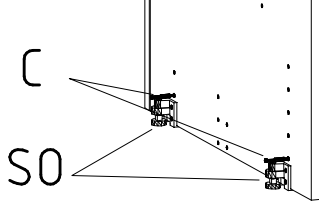
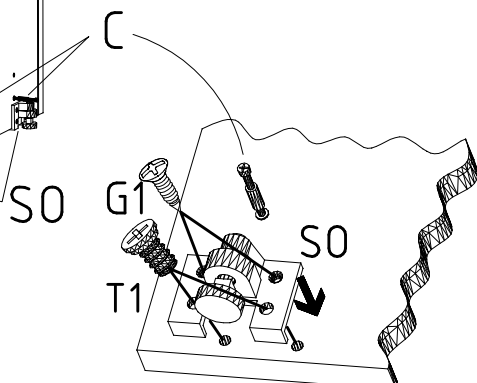
111 103



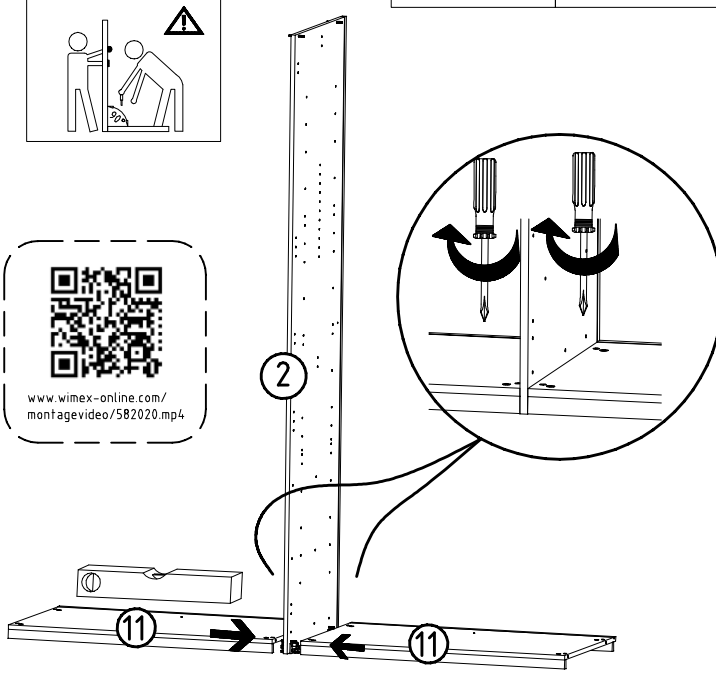
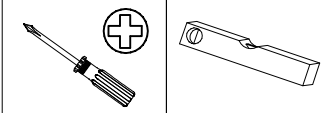
111 300

1

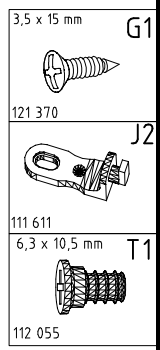
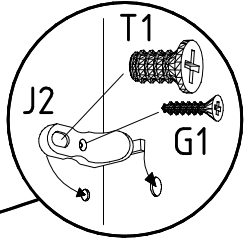
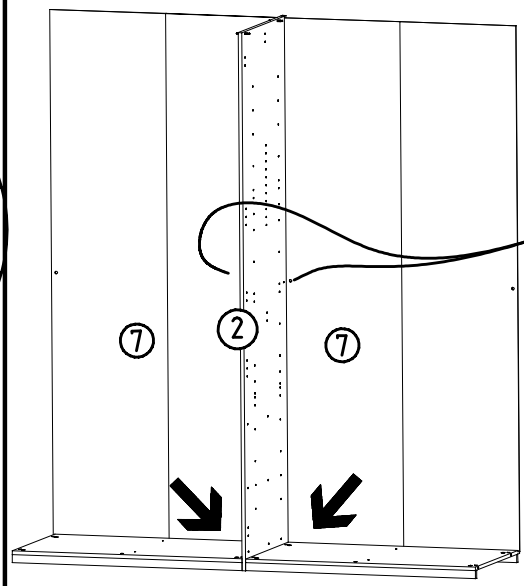
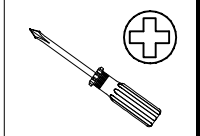
3



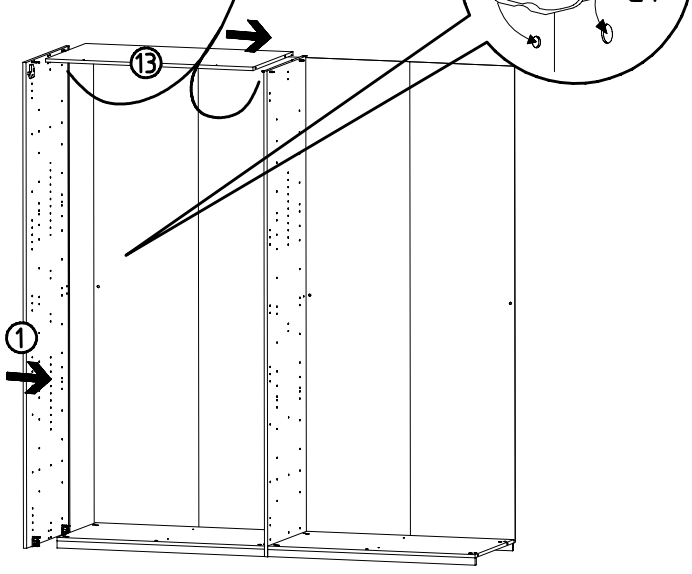
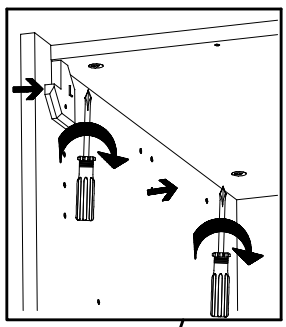
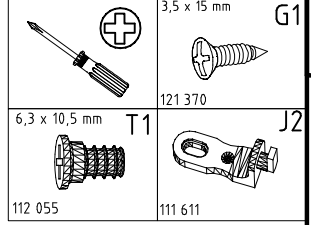
12



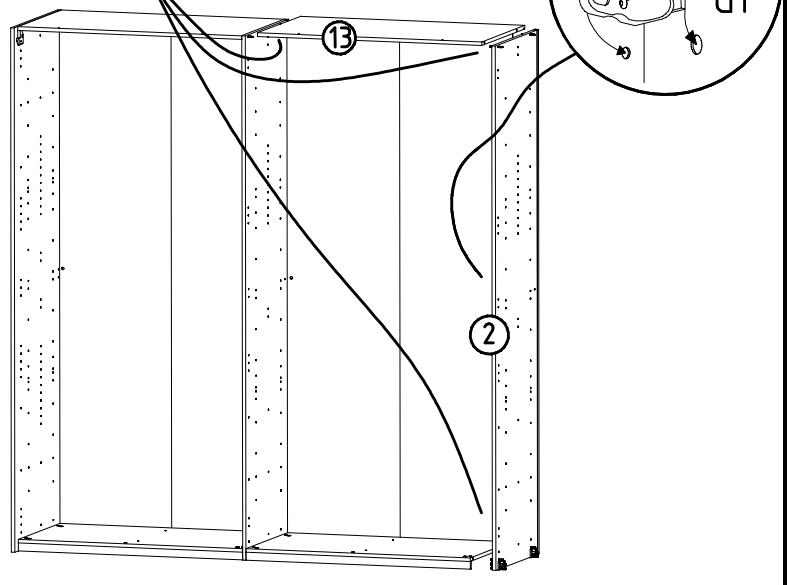
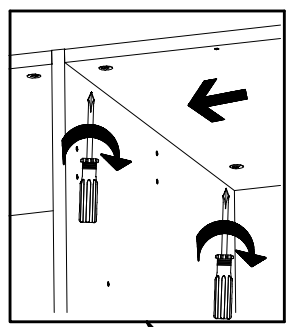
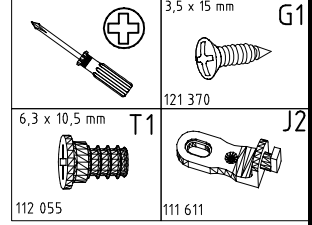
13



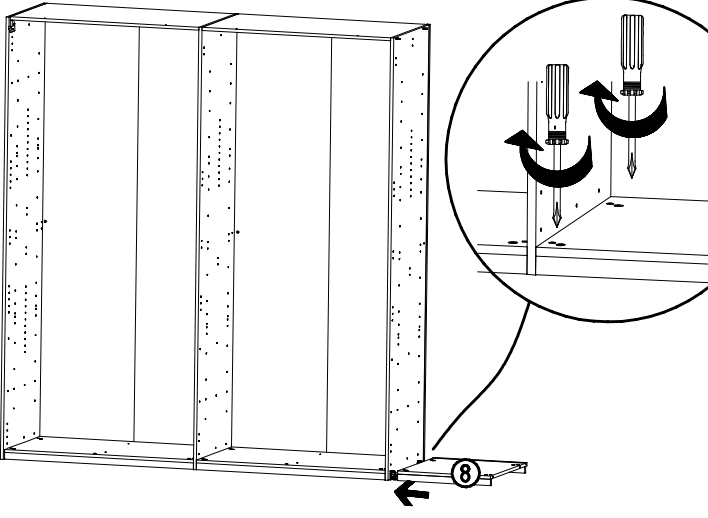
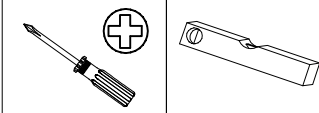
14



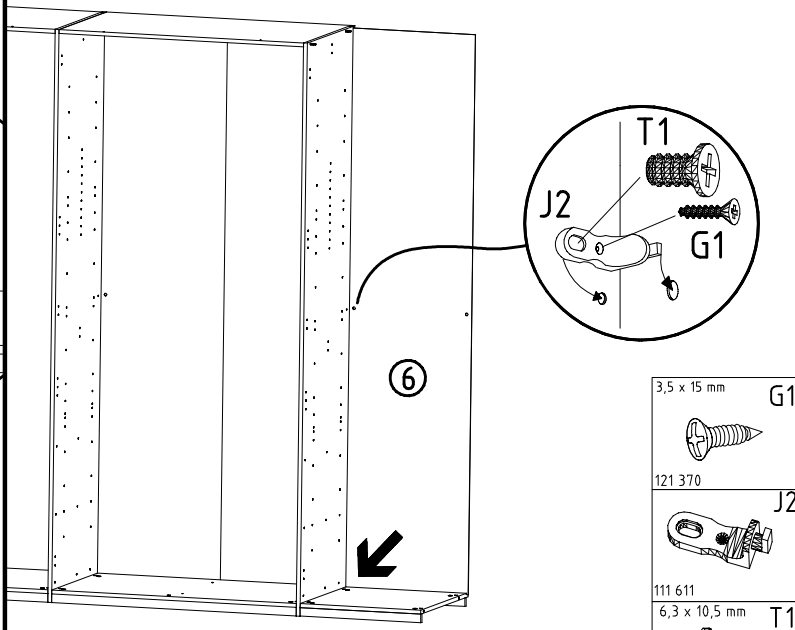
15



16

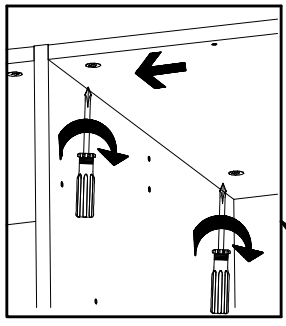


17

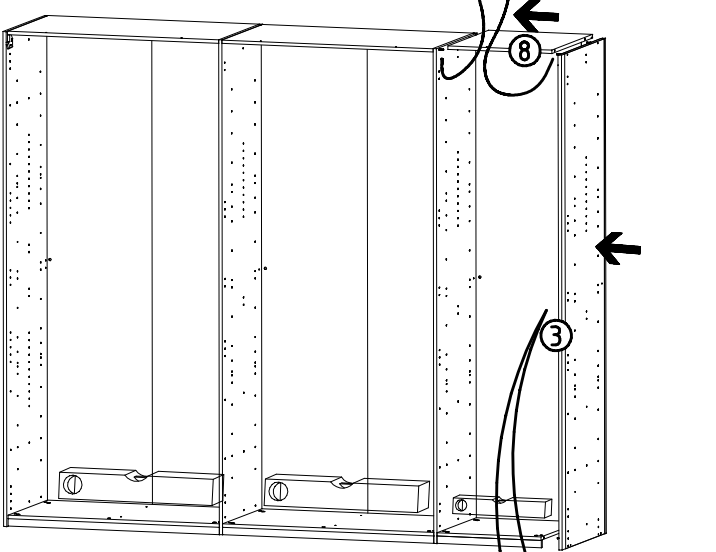


- 3,5 x 15 mm G1
- 121 370
- 111 611
- 6,3 x 10,5 mm T1
- 112 055

18

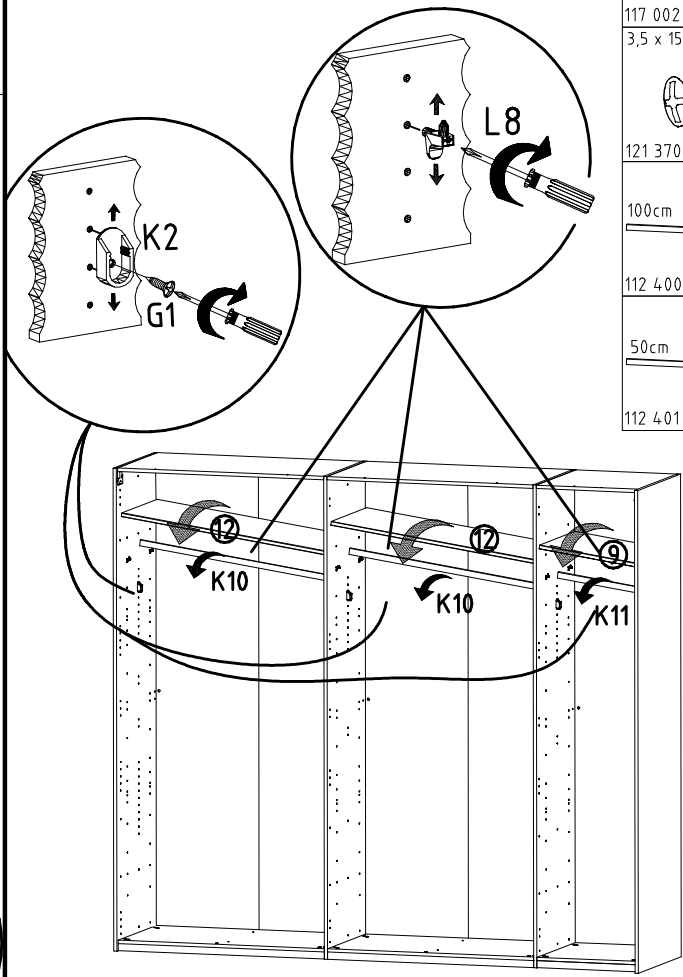


- 3,5 x 15 mm G1
- 121 370
- 111 611
- 6,3 x 10,5 mm T1
- 112 055

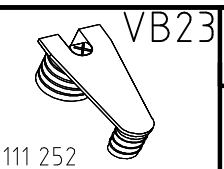
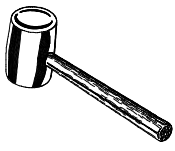


19

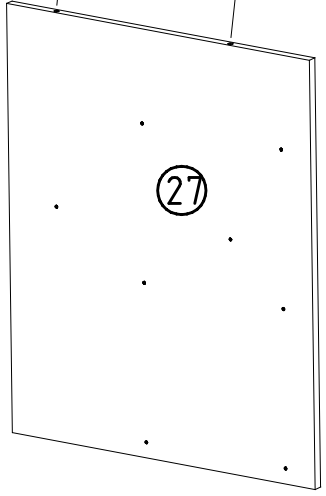
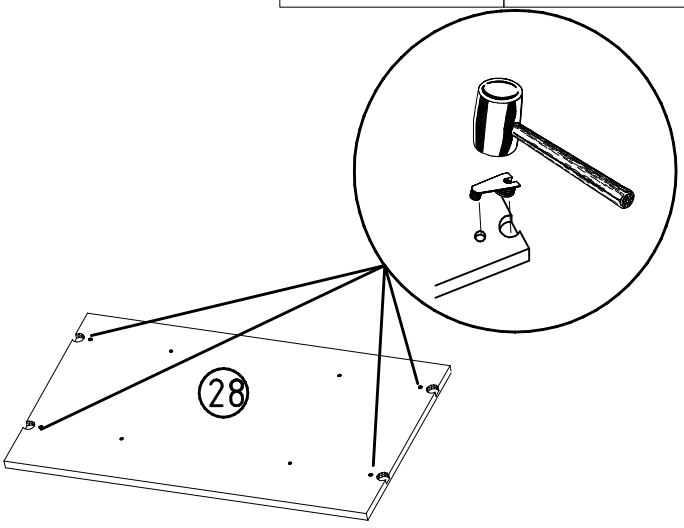
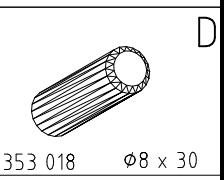
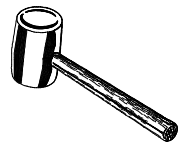
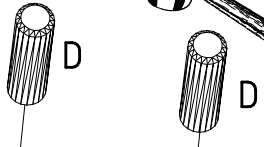
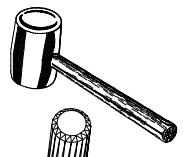
- L8
- 111 607
- K2
- 117 002
- 3,5 x 15 mm G1
- 121 370
- 100cm
- 112 400
- 50cm
- 112 401
- K10
- K11



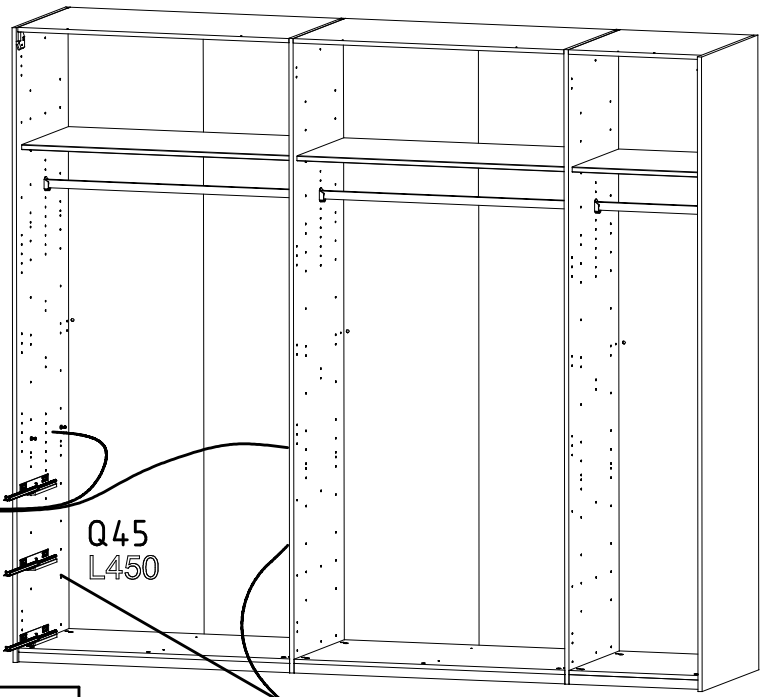
20



21

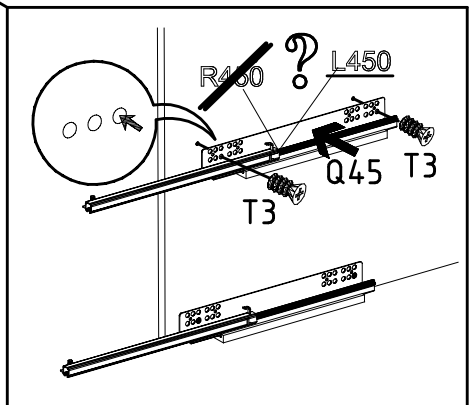
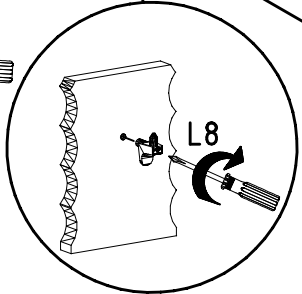
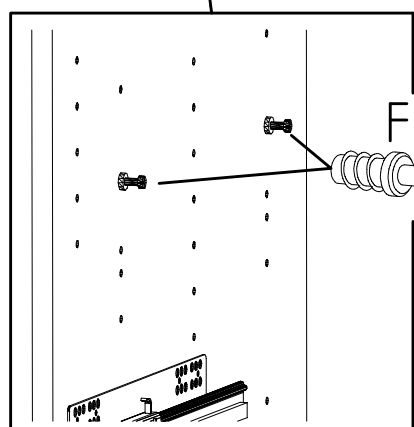


22

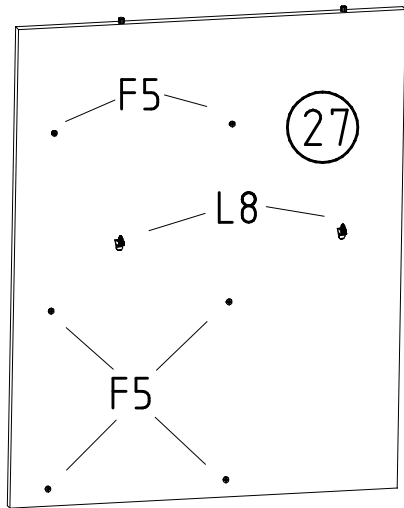


-
- Q45**
-
- 112 220/1
- M6 x 10
- T3**
-
- 112 616
- F**
-
- 111 229
- L8**
-
- 111 607

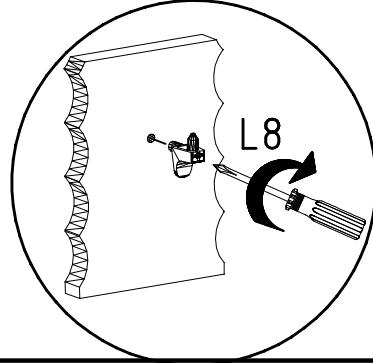
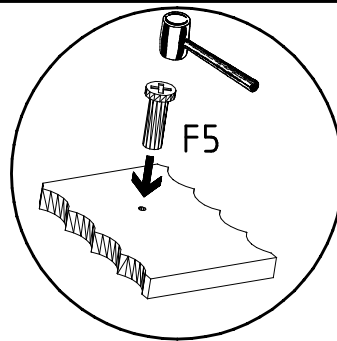
Q45
L450



23

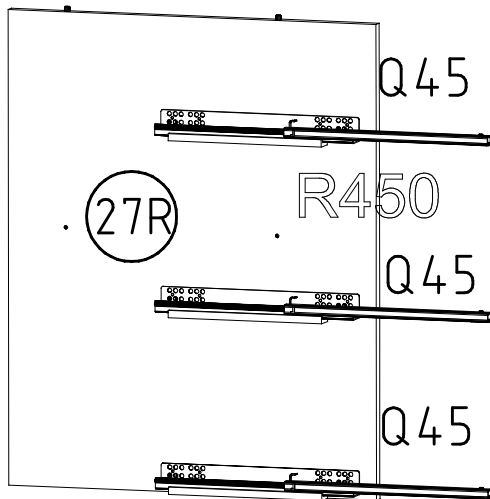
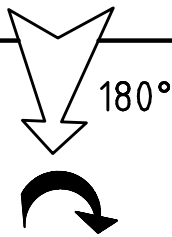


=27R

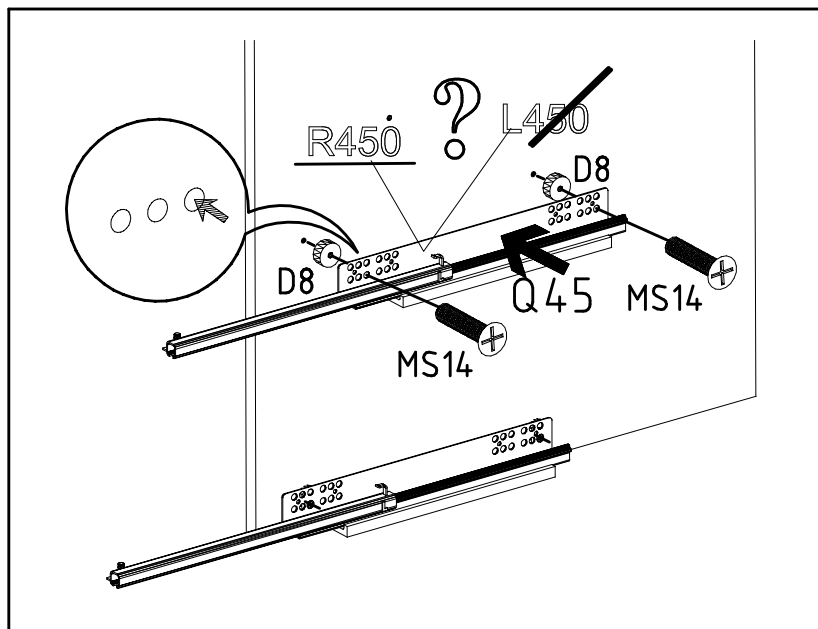


111 607
111 xxx $\phi 5 \times 15 \times M4$

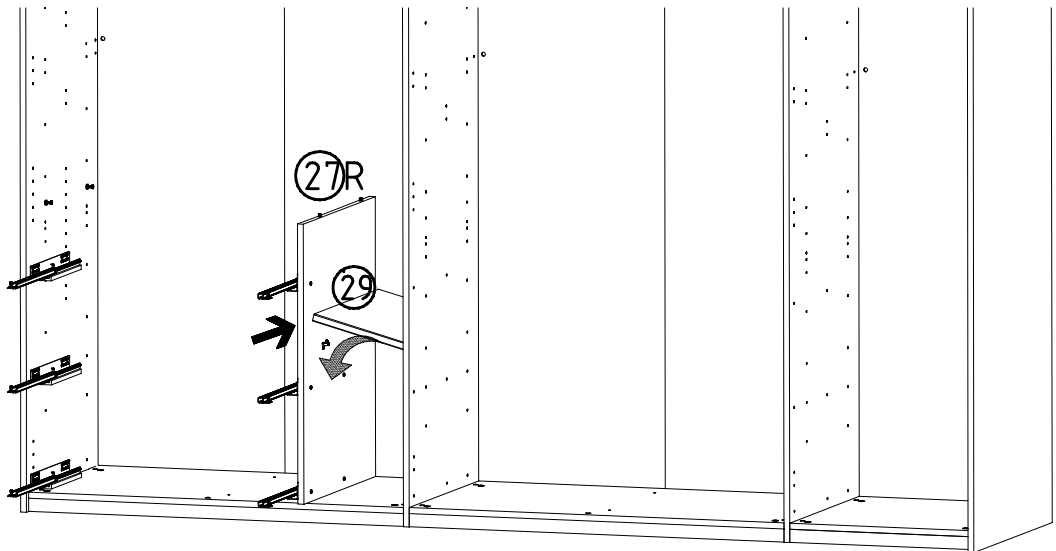
24



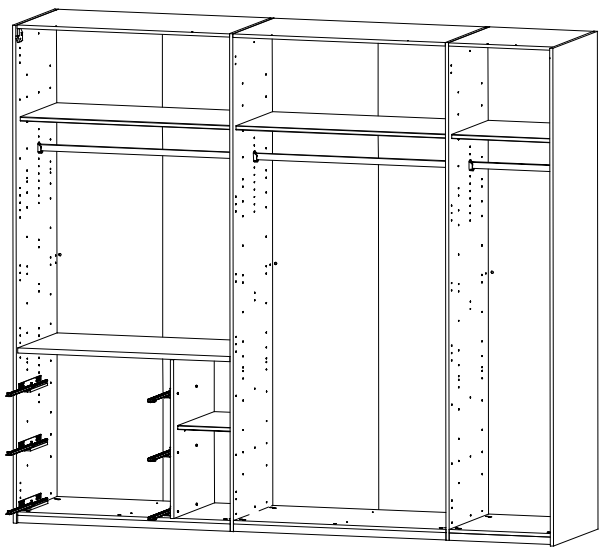
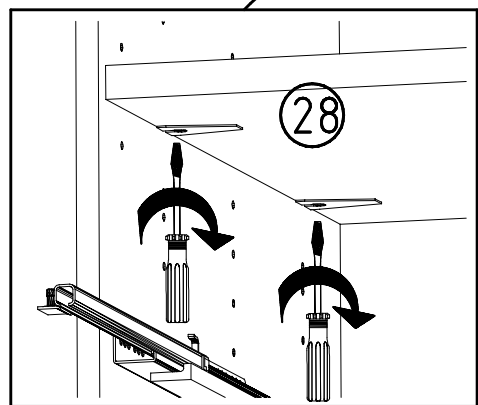
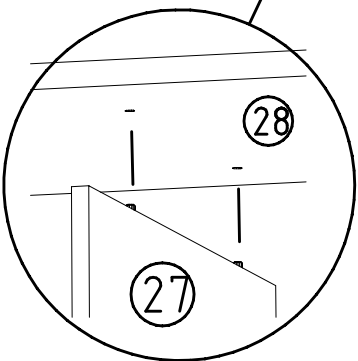
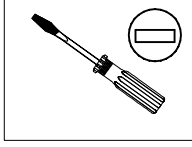
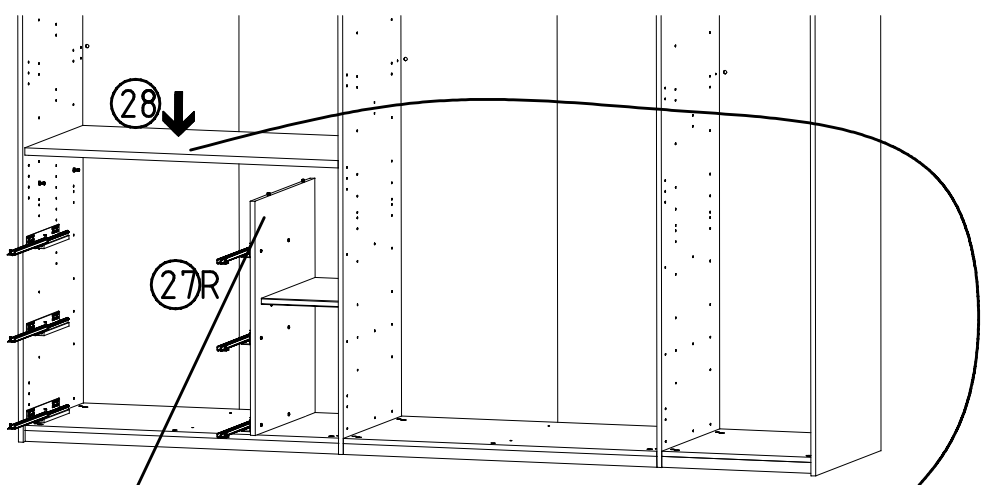
112 220/1
121 010 M4 x 14
111 152 $\phi 18 \times 8 \times 4$

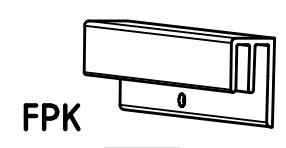
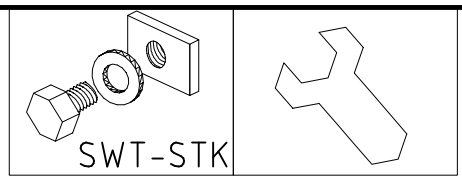


25

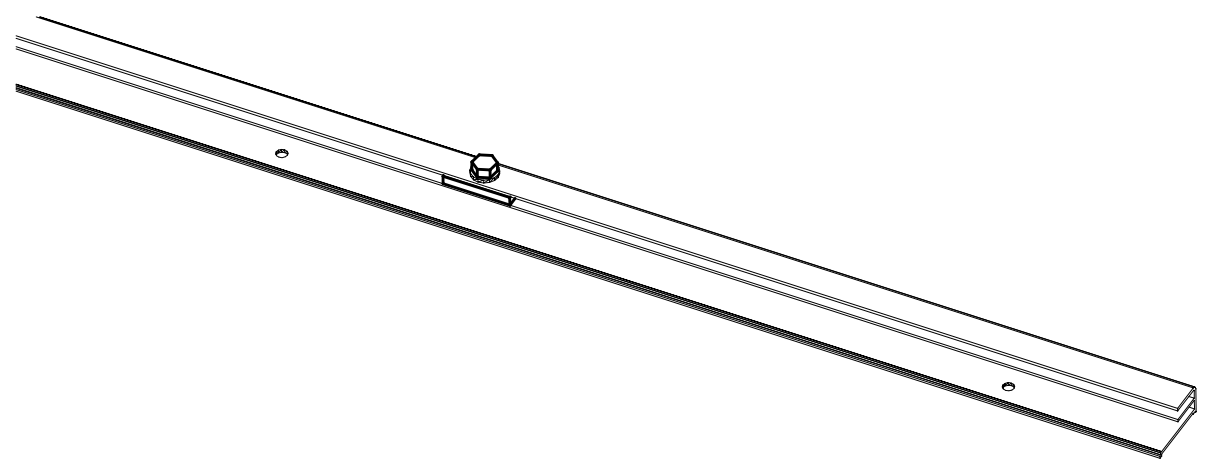
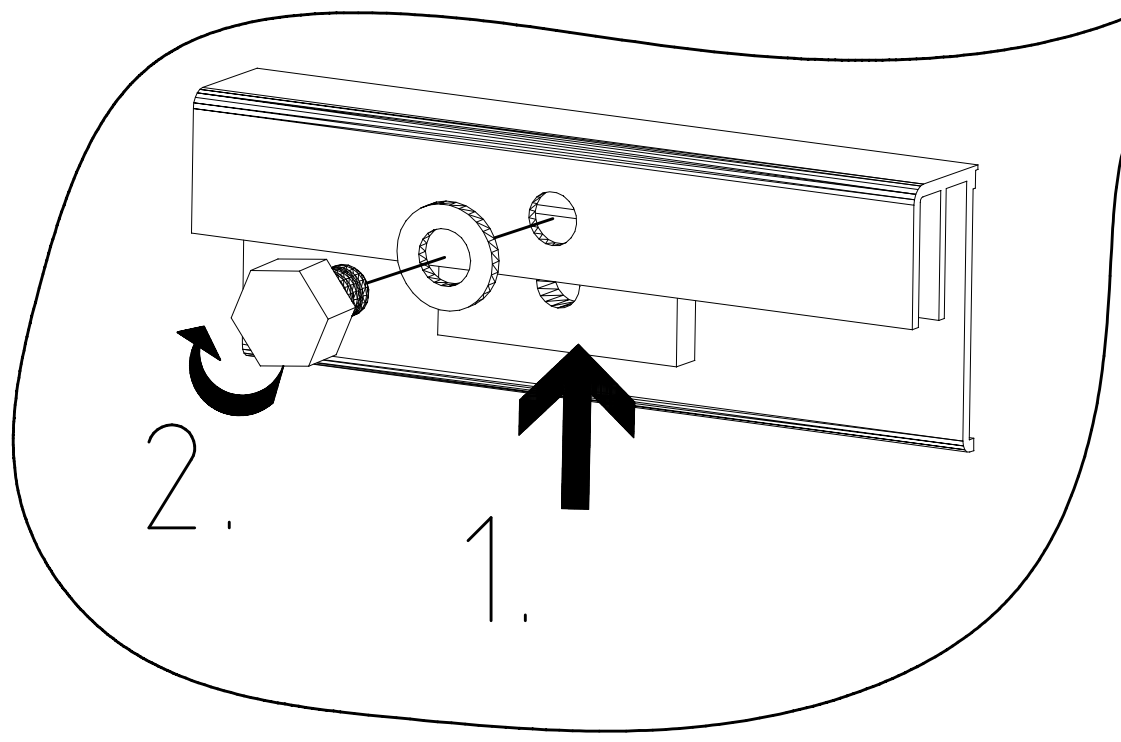
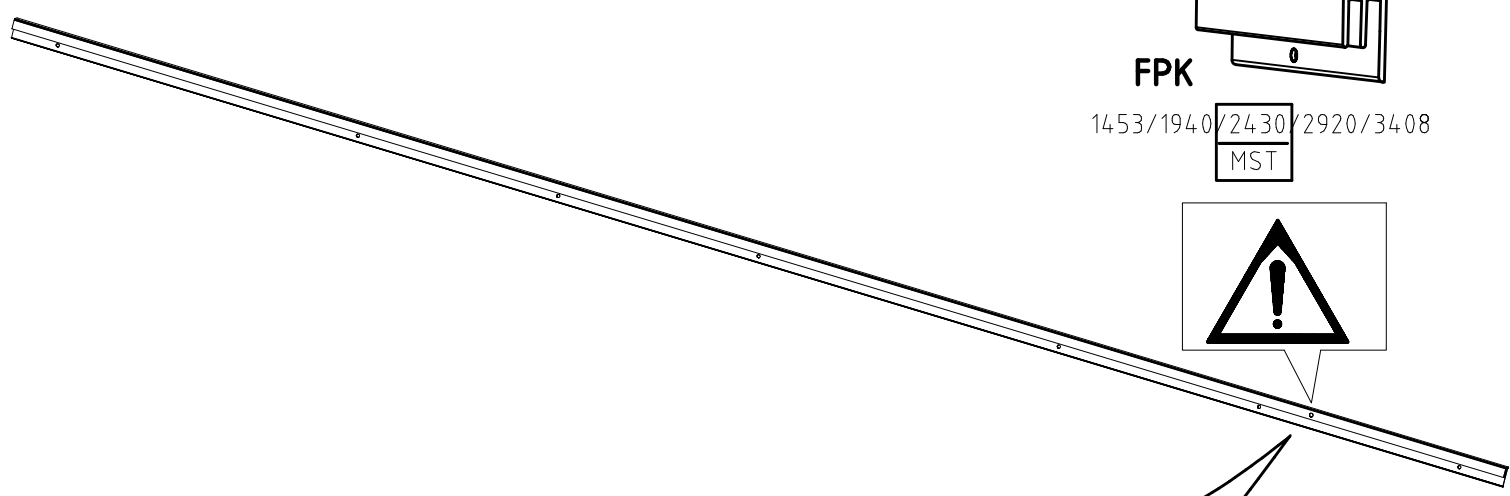
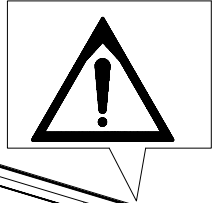


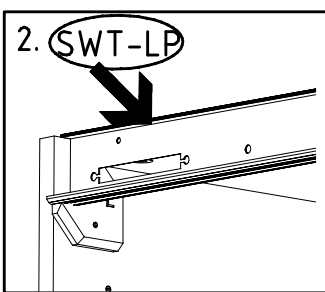
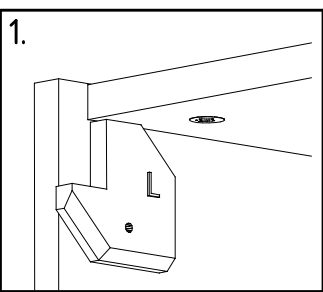
26



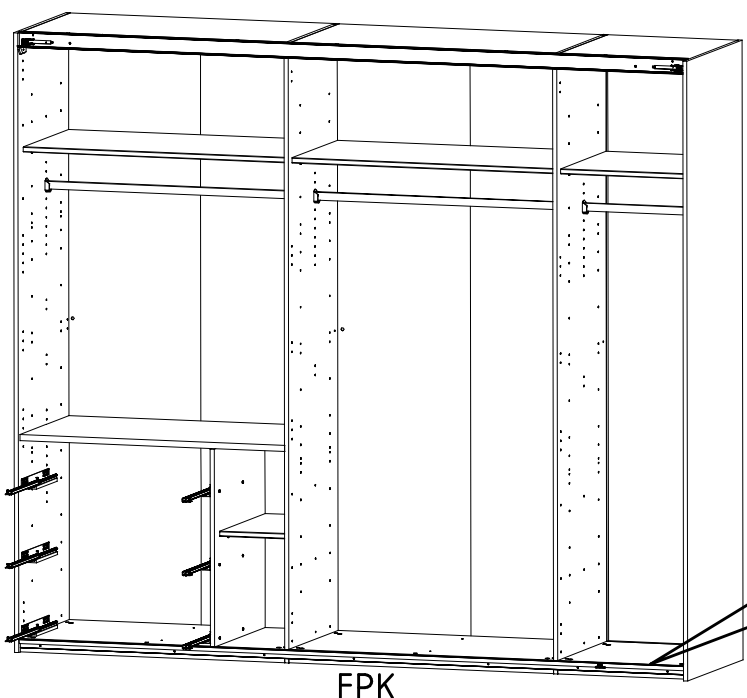
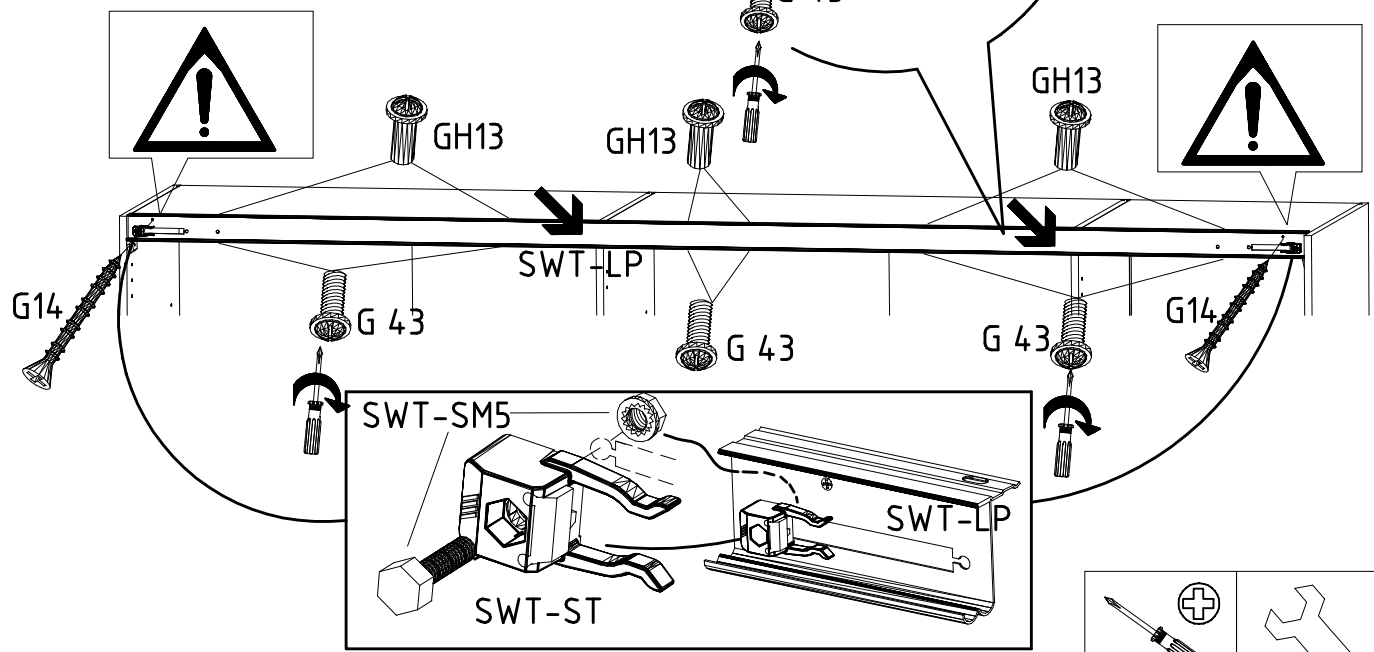
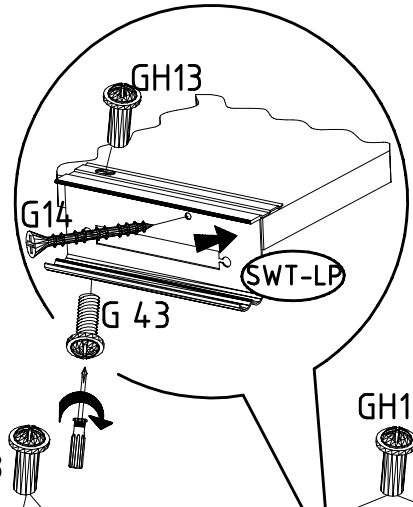
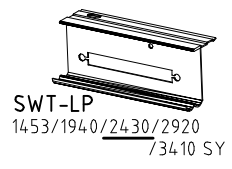


1453/1940/2430/2920/3408
MST

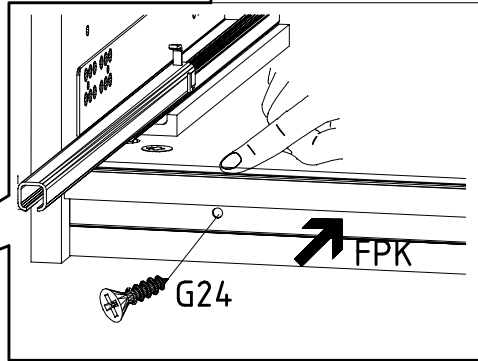




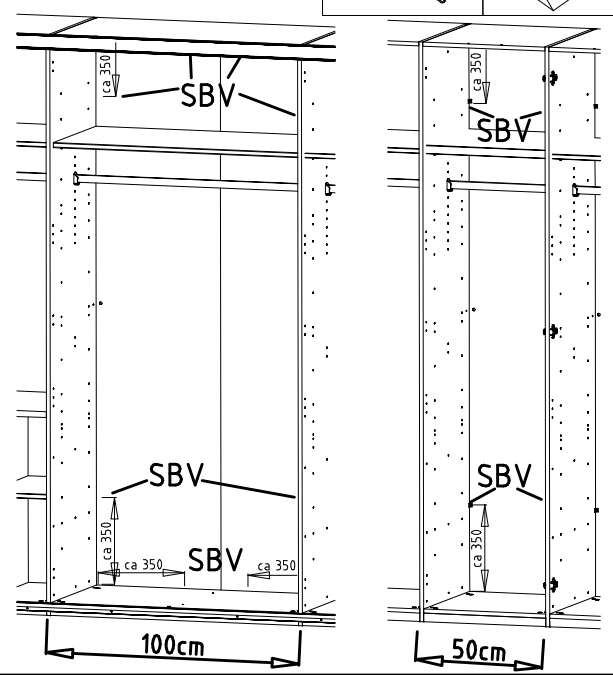
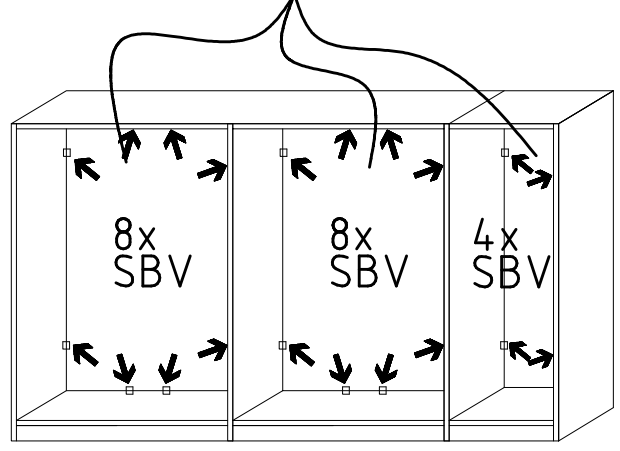
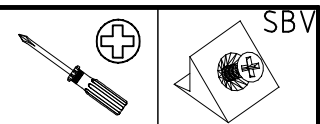
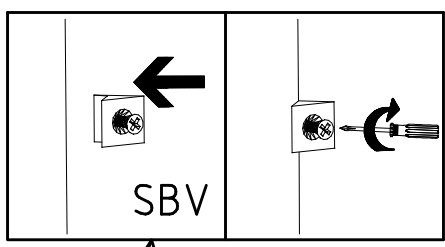
- M4 x 10 mm G43 121 xxx
- M4 x 13 mm GH13 121 xxx
- 3,5 x 35 mm G14 121 375
- SWT-ST
- SWT-SM5



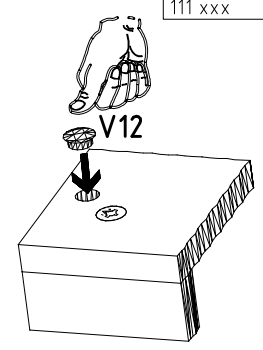
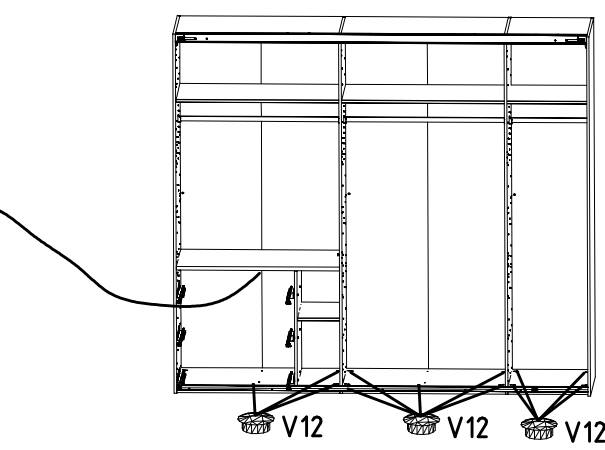
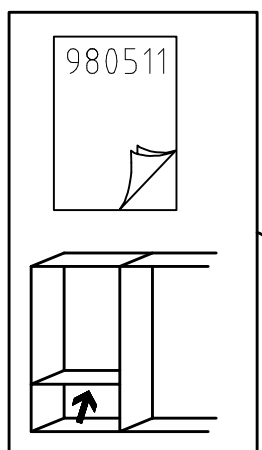
- FPK
1453/1940/2430/2920/3408
- 3,5 x 22 mm G24
121 004



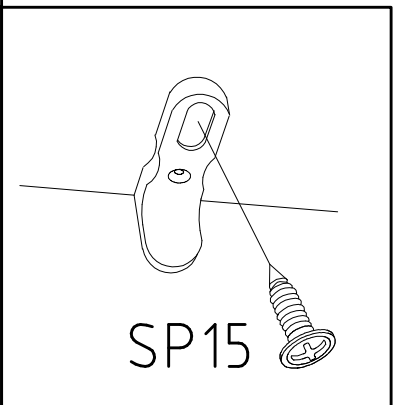
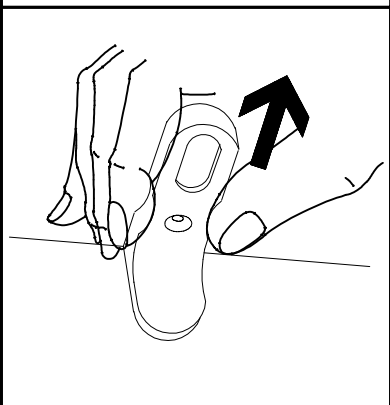
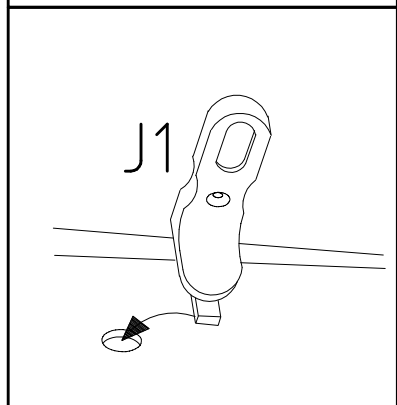
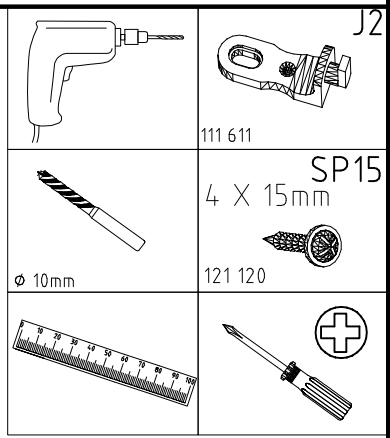
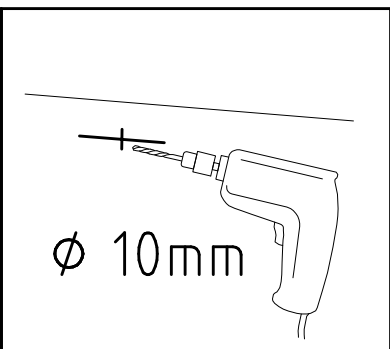
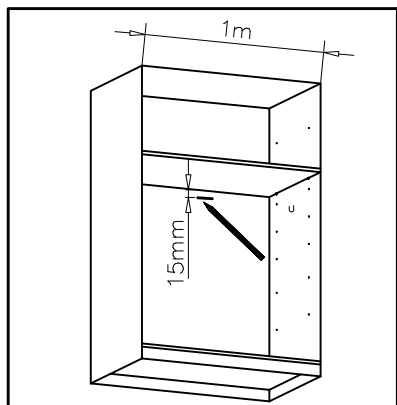
30



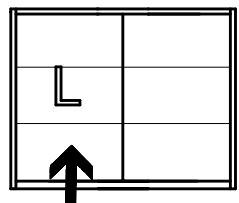
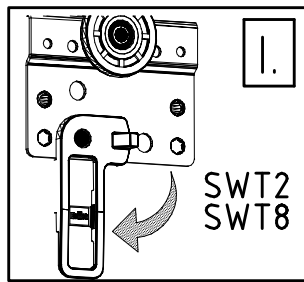
31



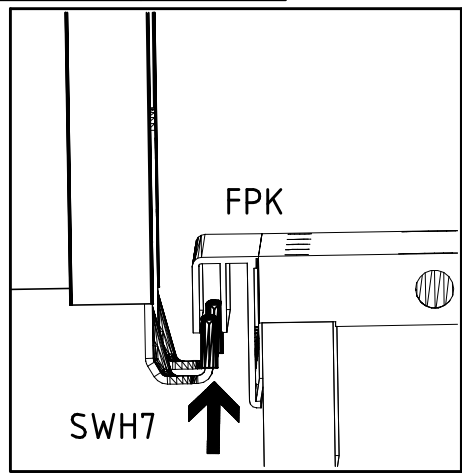
32



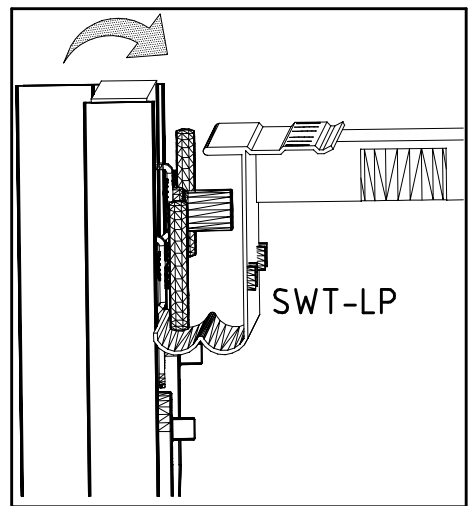
33



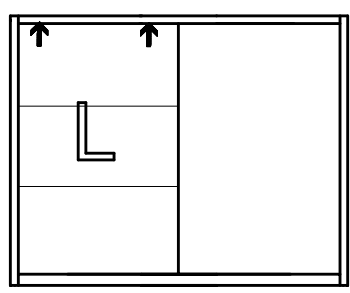
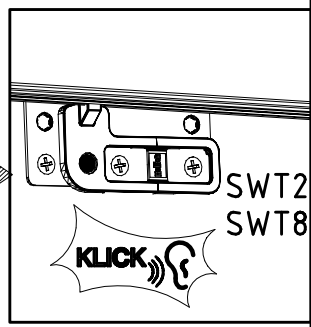
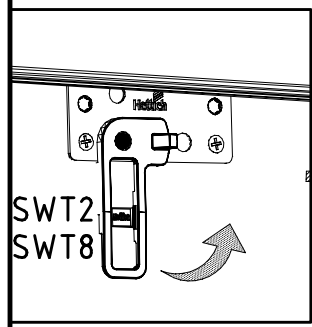
I.



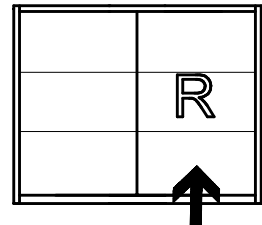
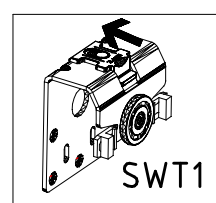
II.



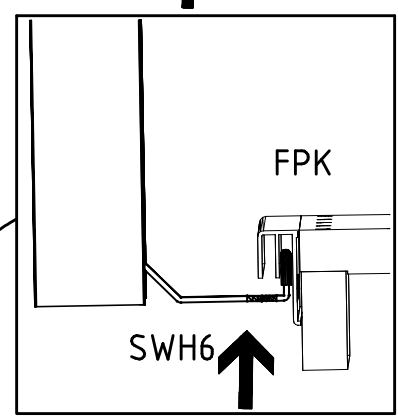
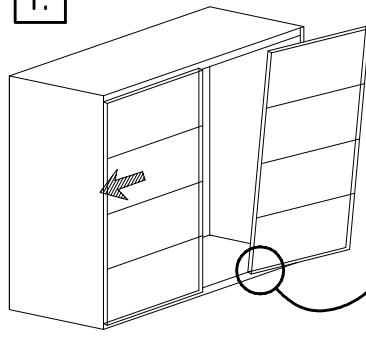
III.



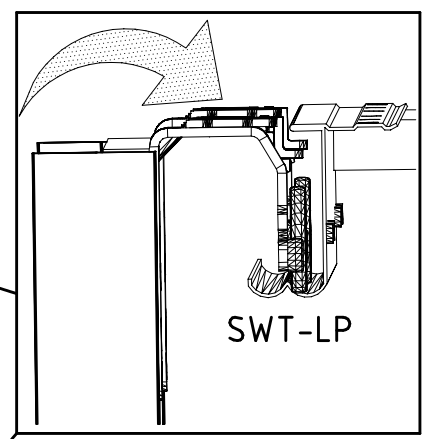
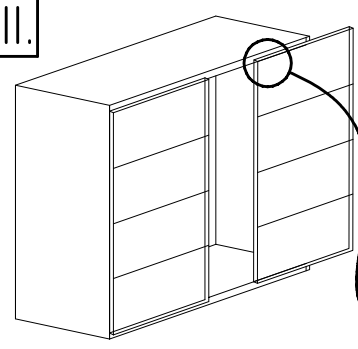
34



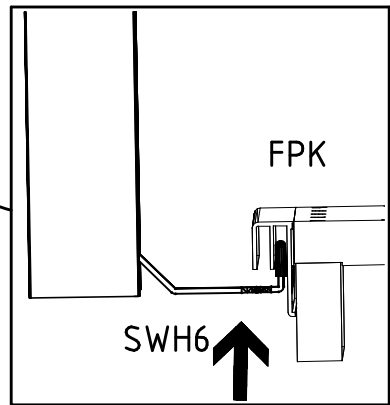
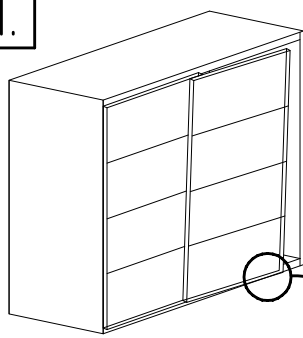
I.



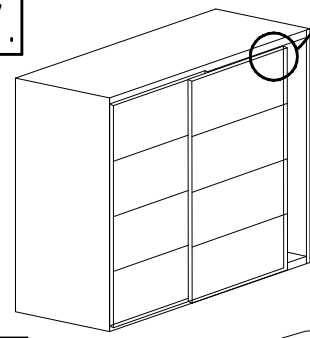
II.



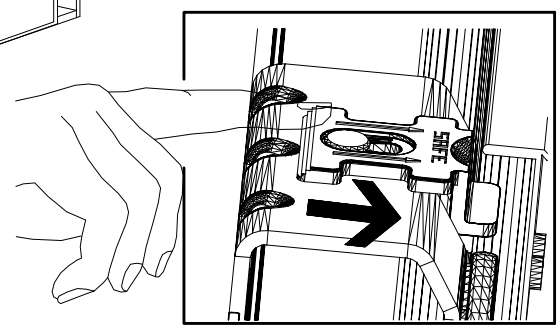
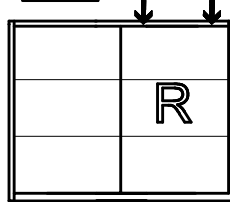
III.



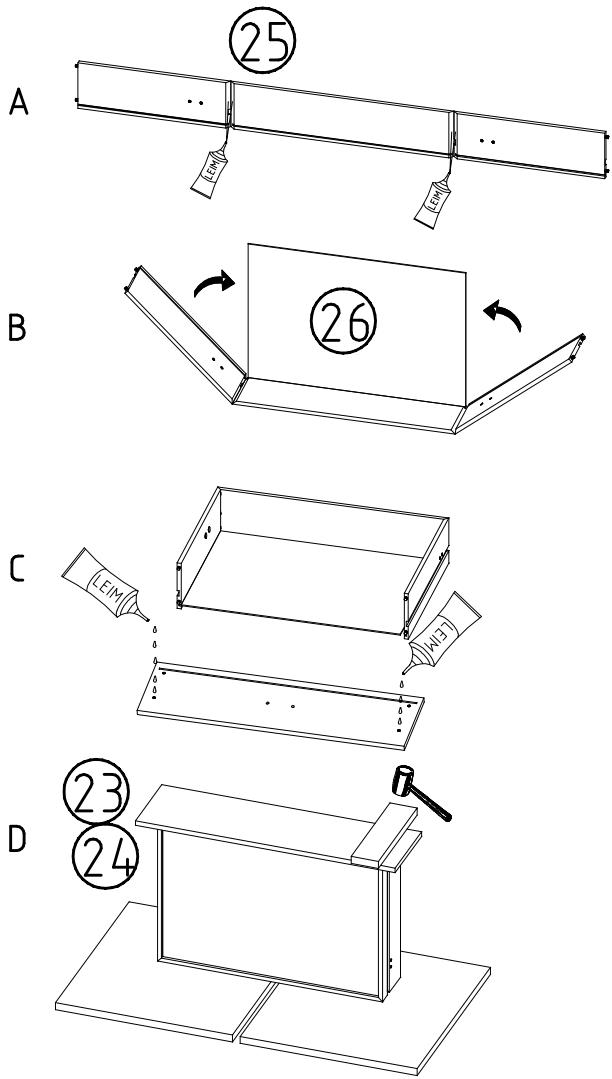
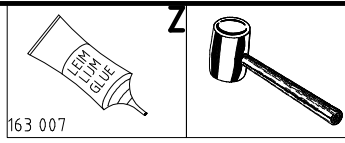
IV.



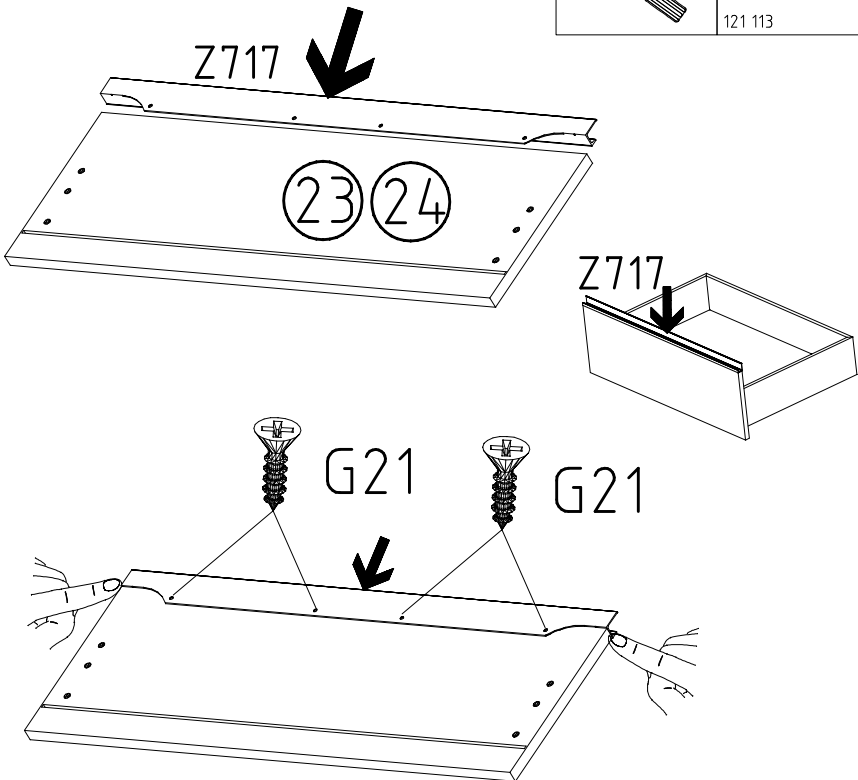
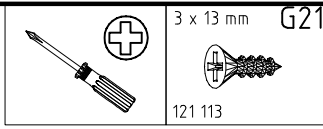
V.



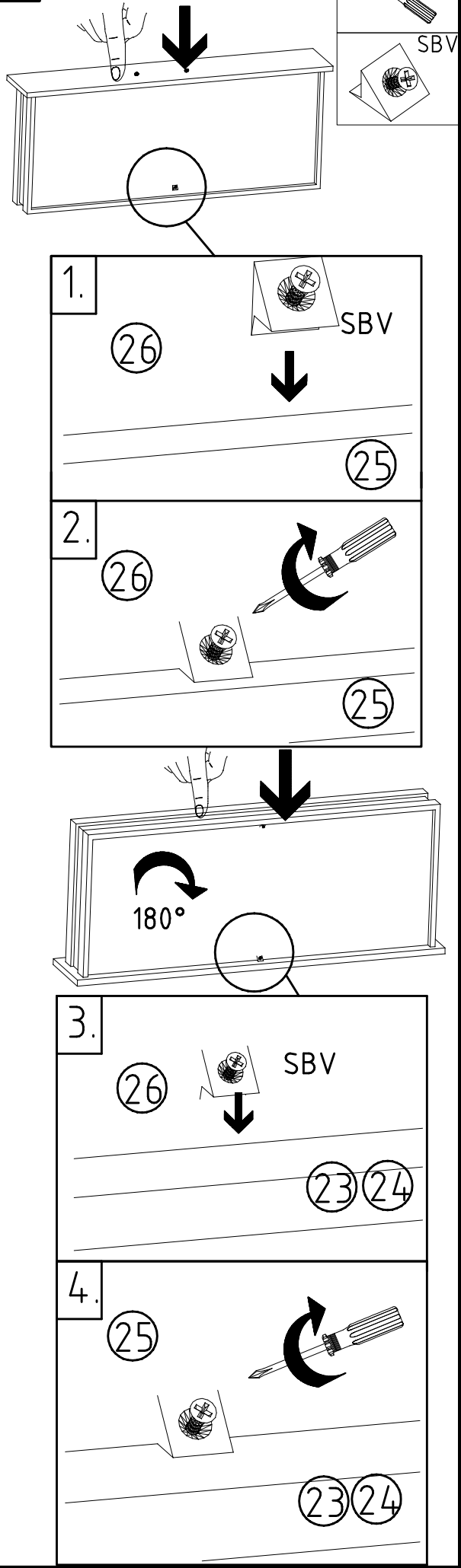
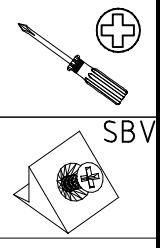
35



36

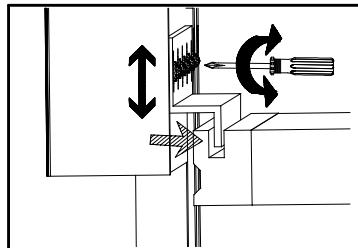
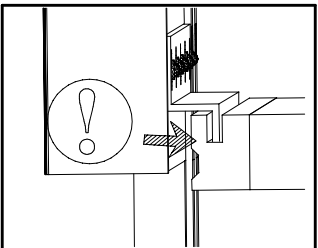
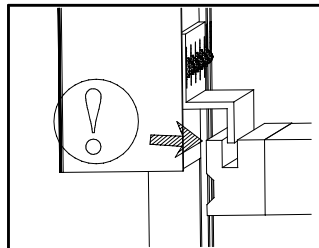
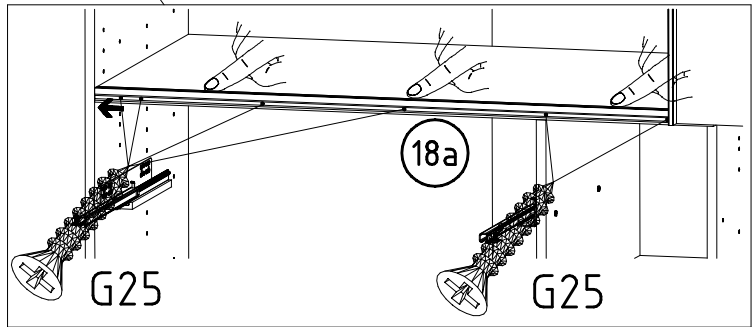
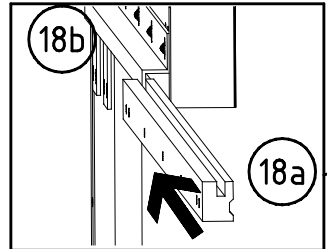
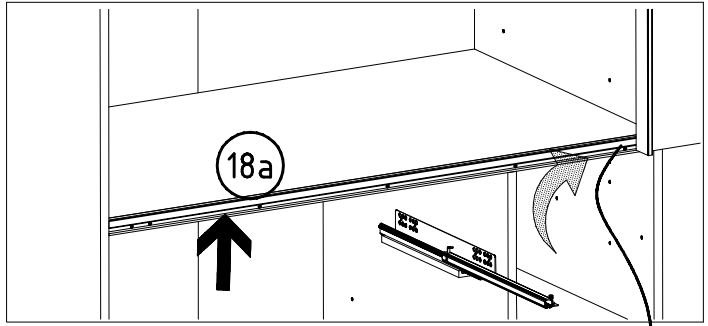
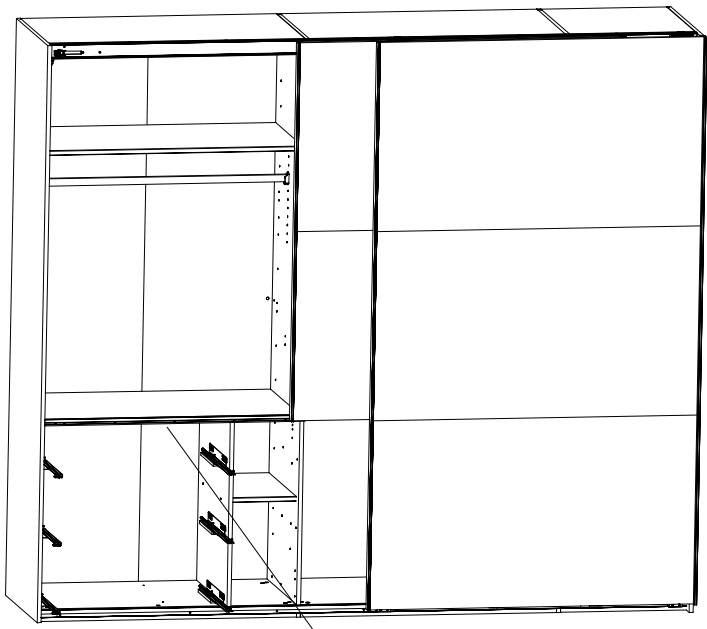


37



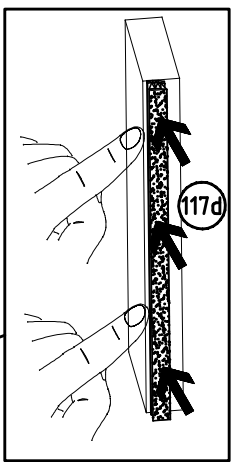
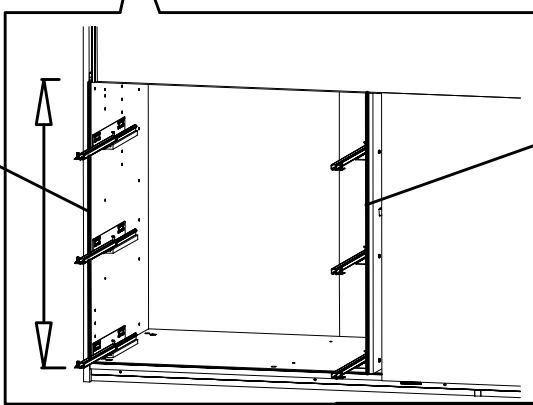
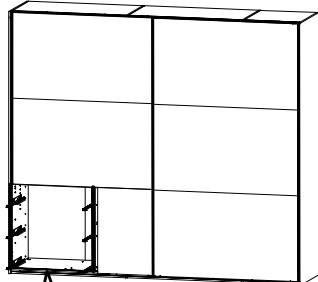
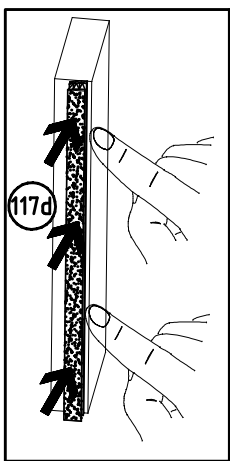
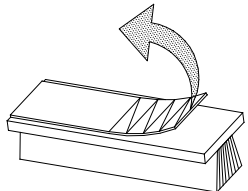
38

3,5 x 40 mm G25
121 119



39

117d



980711

06.04.17 / -

04 17|20/23

