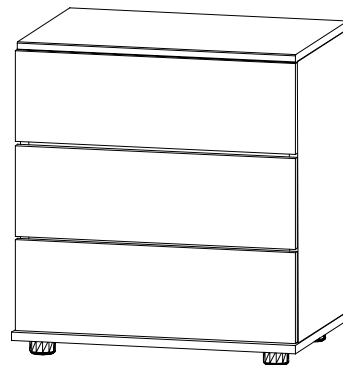
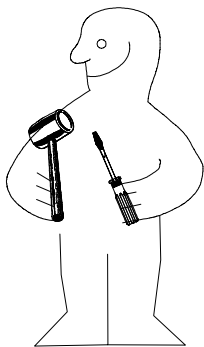
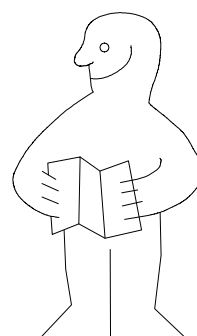
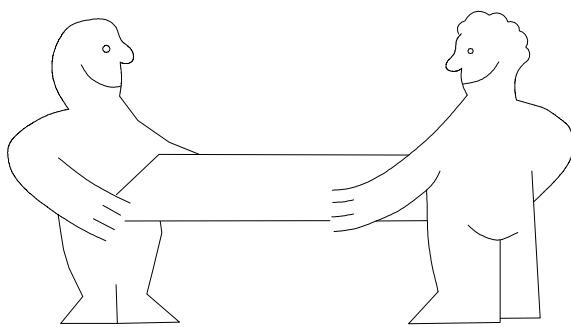
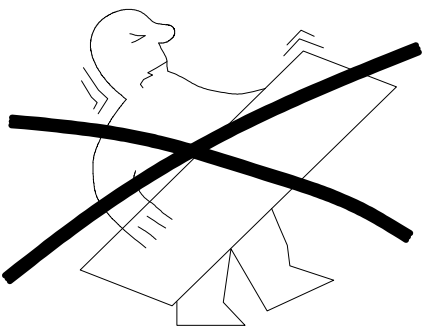


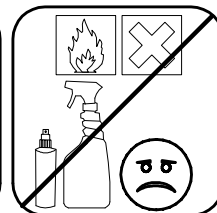
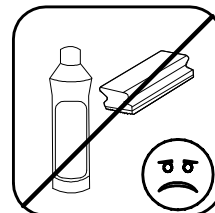
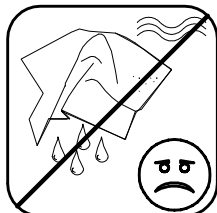
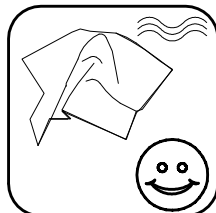
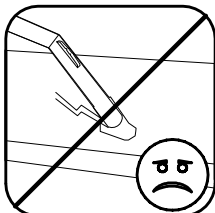
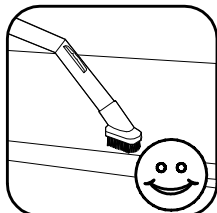
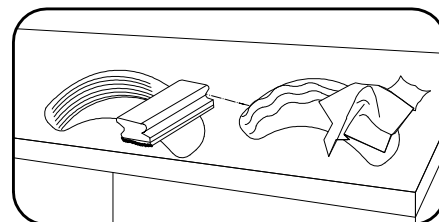
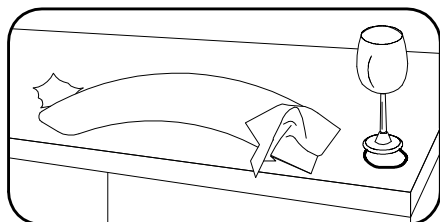
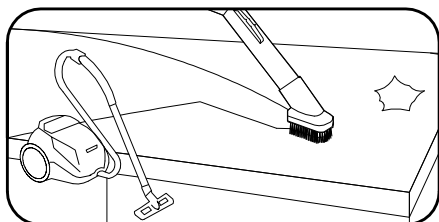
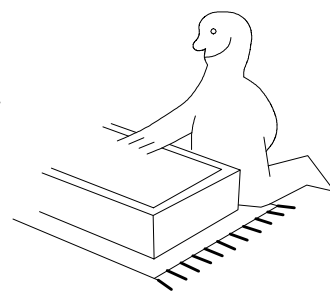
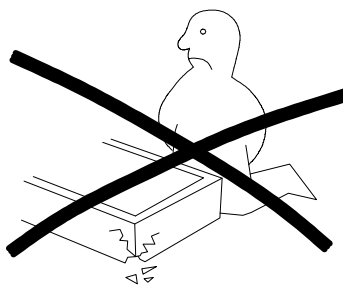
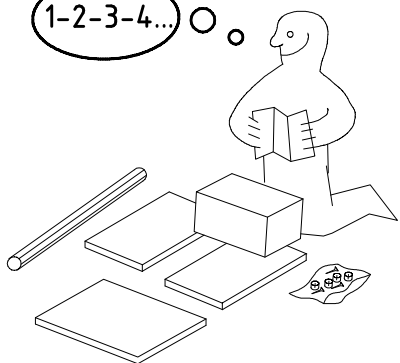
980103



703



1-2-3-4...


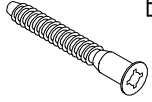
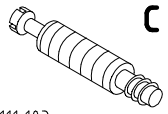


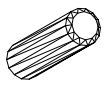
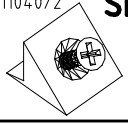

980103

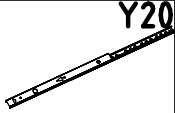

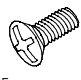
19.05.14 / -

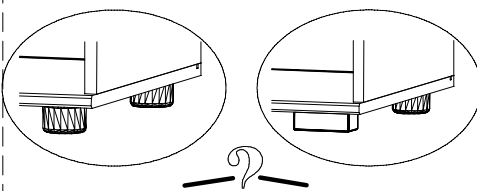
05 14




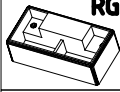

1/6

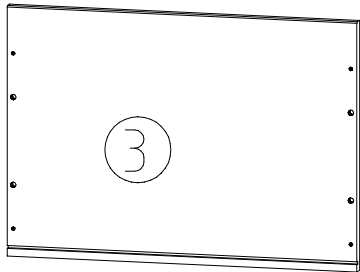
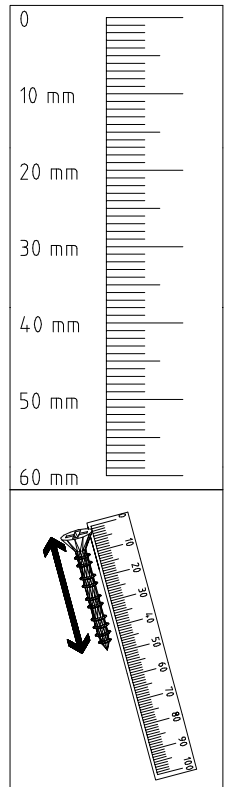
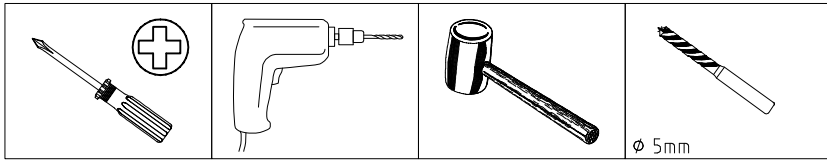
| | |
|---|----------------|
|  111 102 | A 4x |
|  111 609 | B 4x |
|  111 103 | C 4x |

| | |
|--|------------------|
|  353 018 $\phi 8 \times 30$ | D 8x |
|  11104.0/2 | SBV 2x |
|  163 007 | Z 2x |

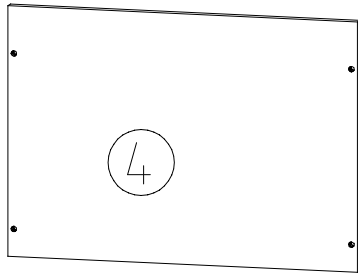
| | |
|--|------------------|
|  112 190 | Y20 6x |
|  M6 x 10 | T3 12x |
|  111 015 | G8 6x |



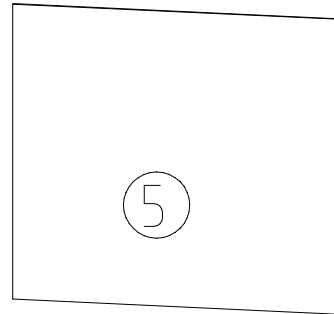
| | |
|--|--------------------|
|  4 X 23 mm | SG 25 4x |
|  121117 | SP 23 4x |
|  4 X 23 mm | SG 25 2x |
|  4 X 23 mm | RG 2x |
|  121117 | SP 23 6x |



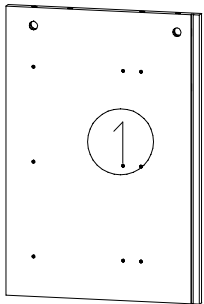
520x365x15



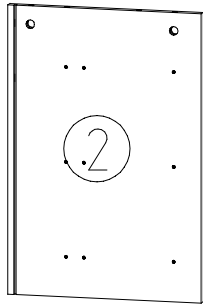
520x365x15



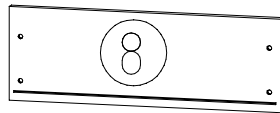
515x496x2,5



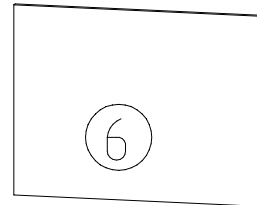
506x345x15



506x345x15



3x 513x163x15

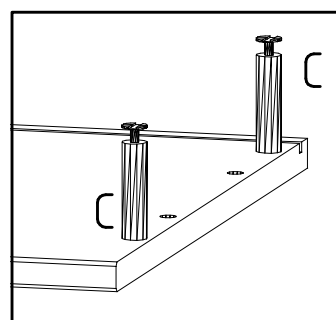
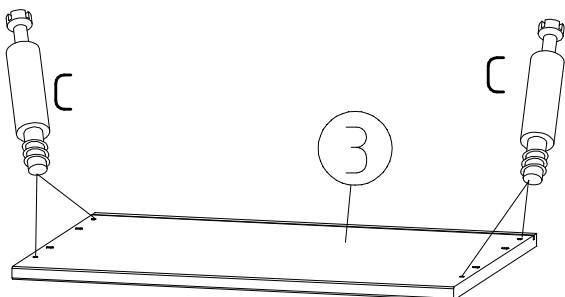


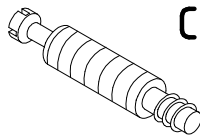
3x 470x310x2,5



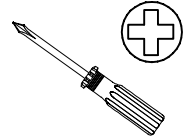
3x 316/480 / 316x75x12

1

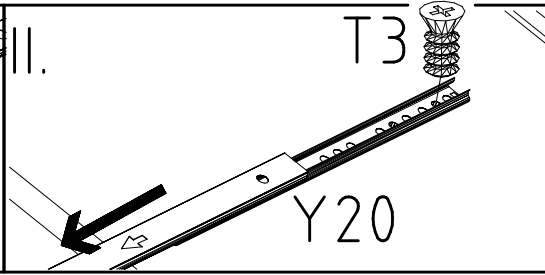
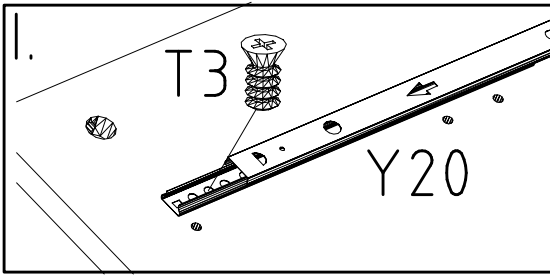
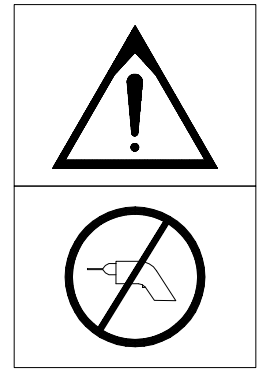
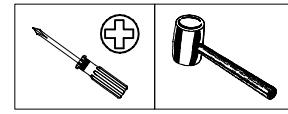
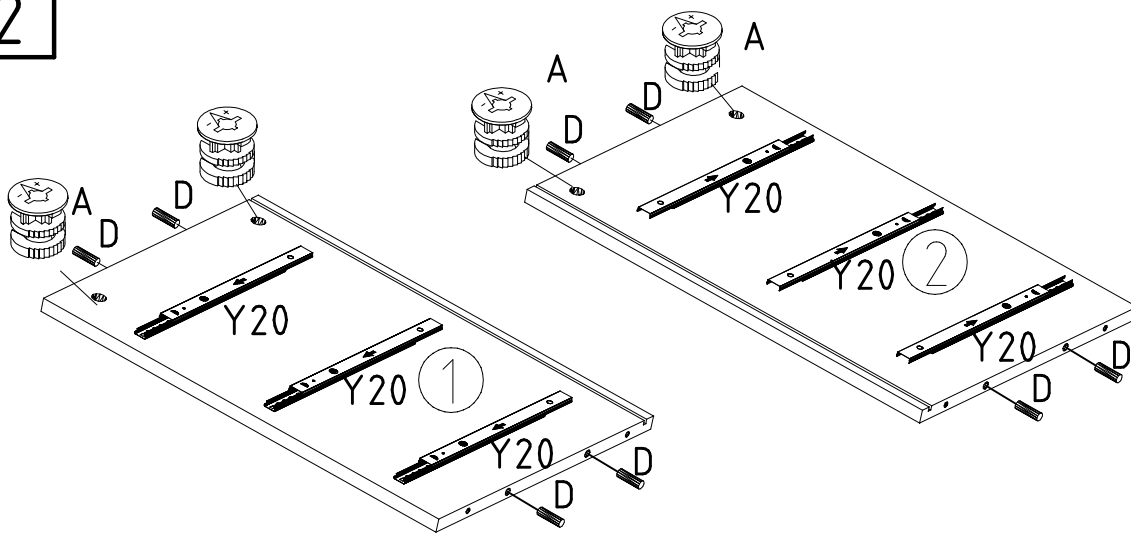



111 103

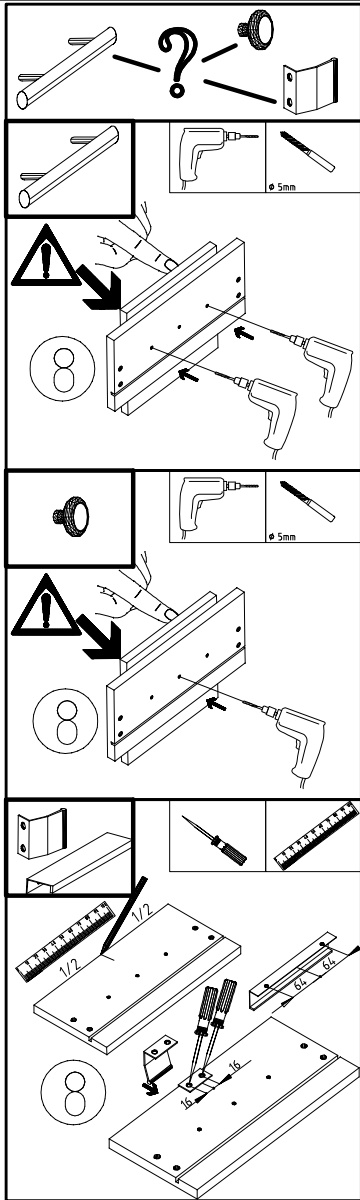
C



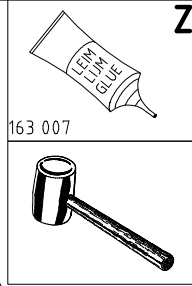
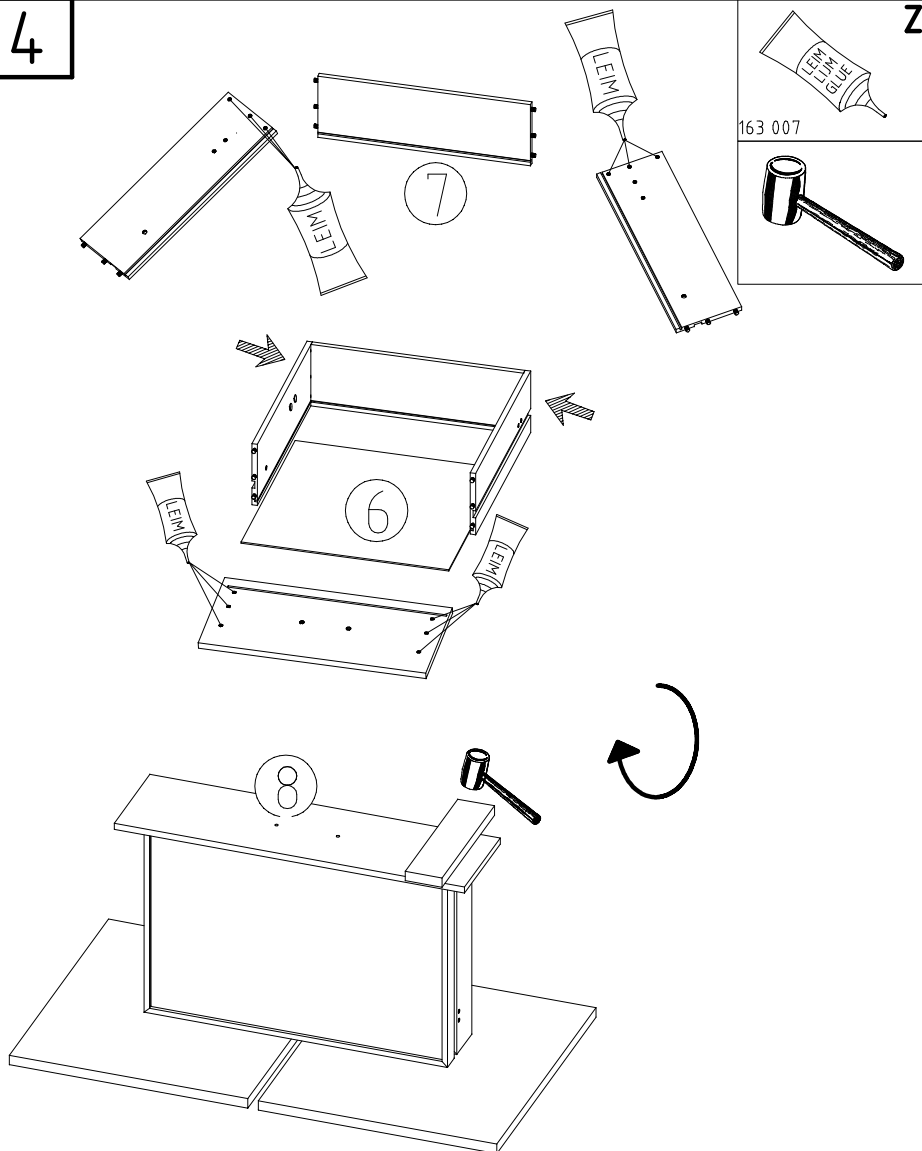
2

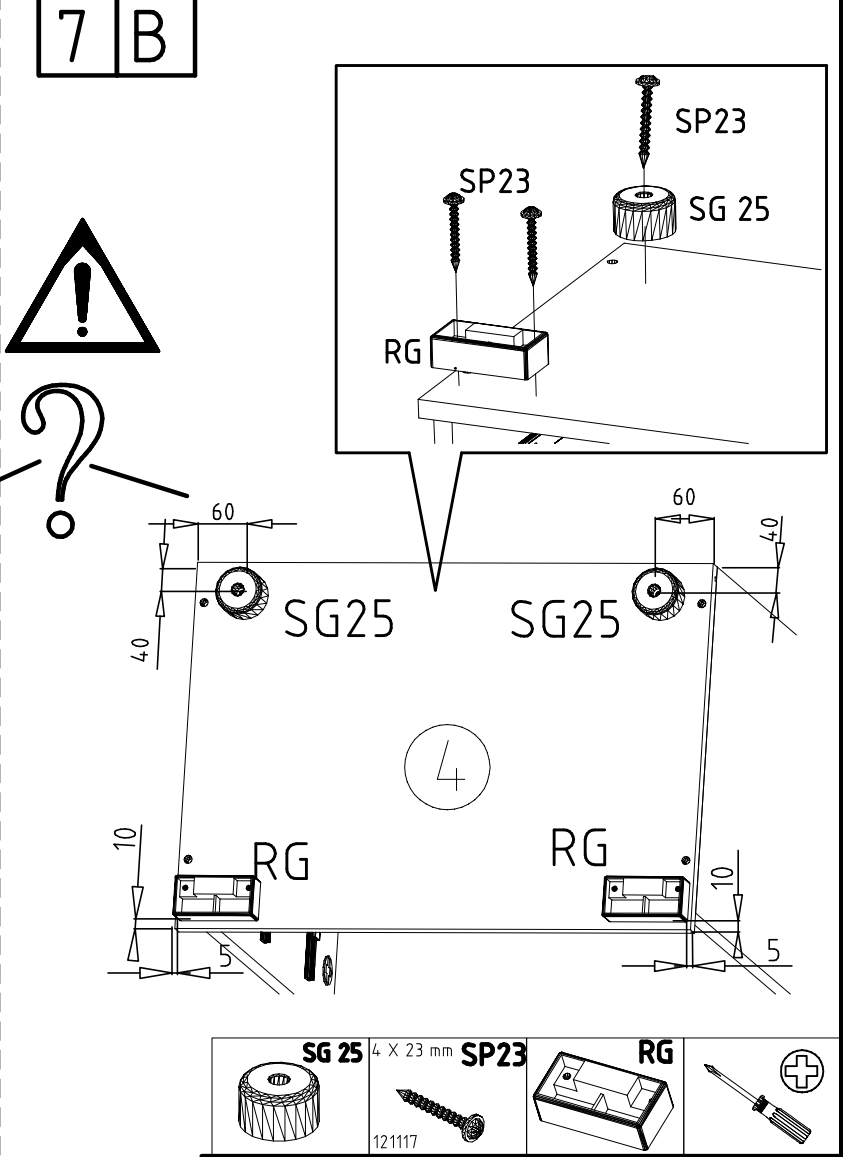
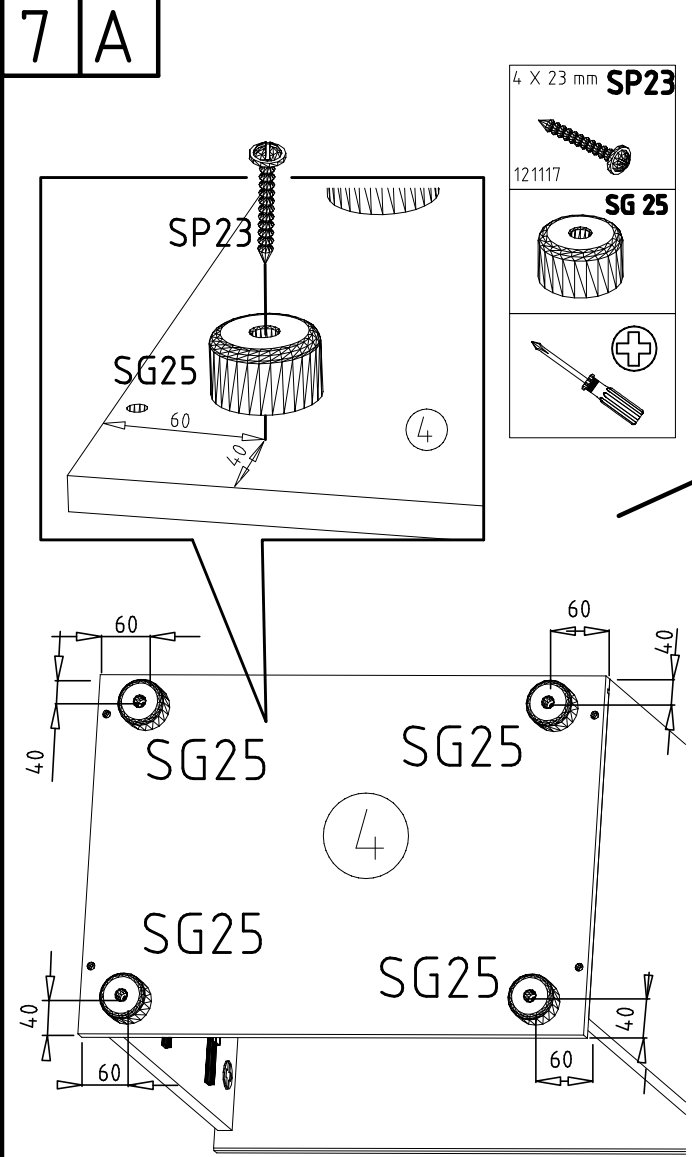
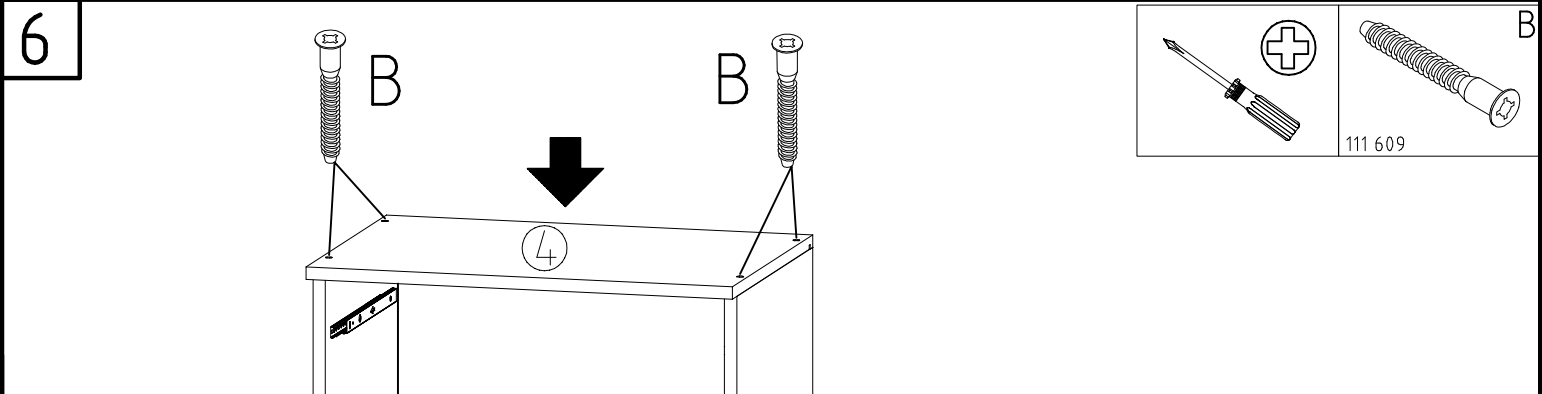
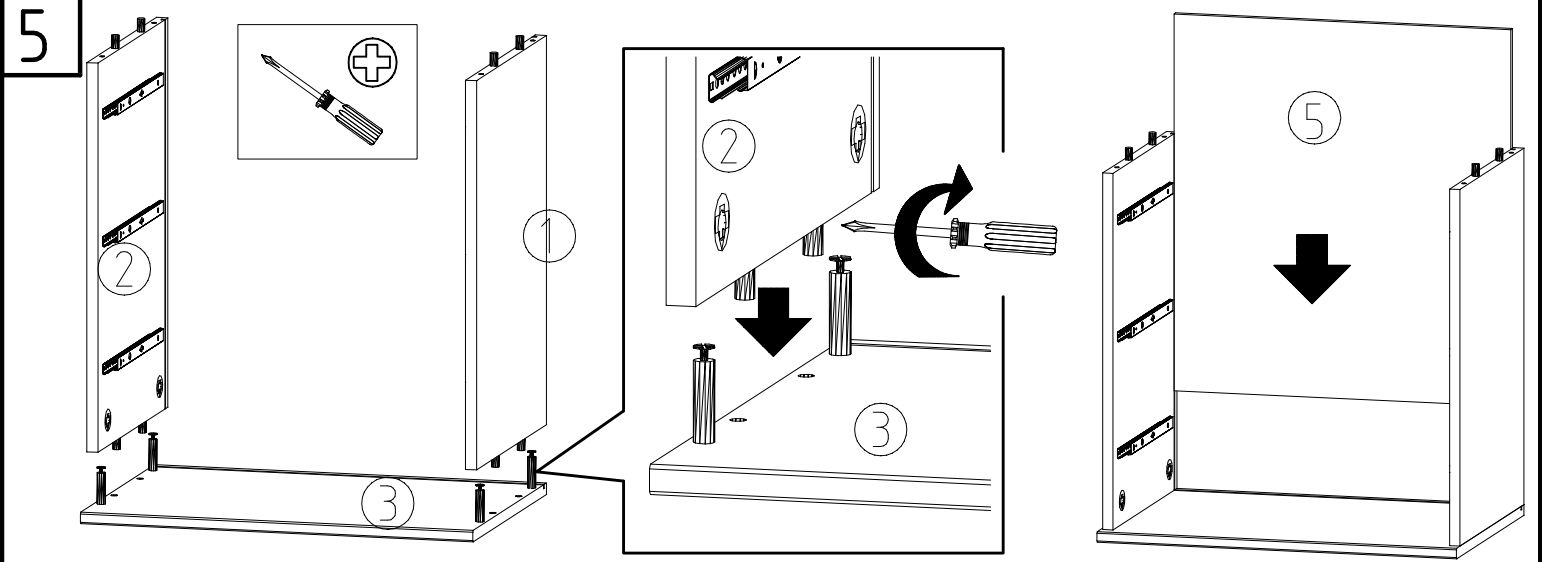


3



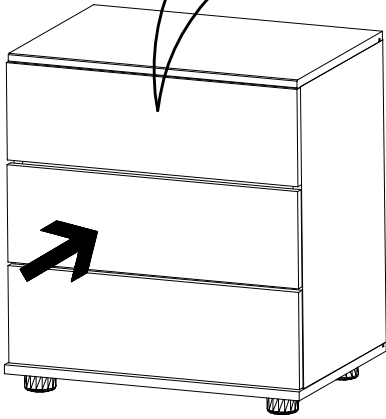
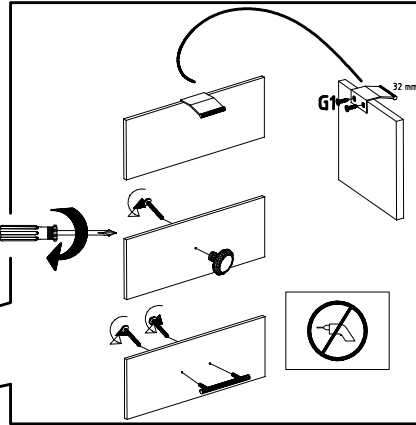
4



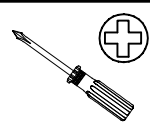


| | | | | | | |
|--|--------------|--------|-----------------------|--|-----------|--|
| | SG 25 | | 4 X 23 mm SP23 | | RG | |
| | | 121117 | | | | |

8



9

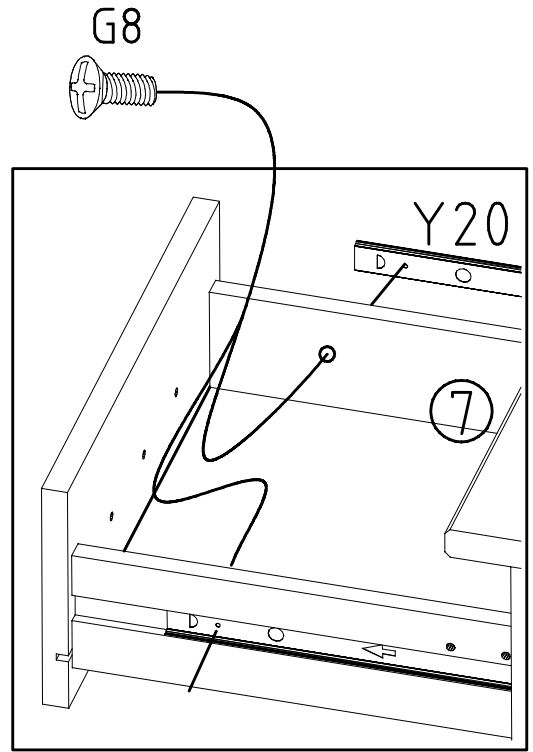


M4 x 9 mm

G8



111 015



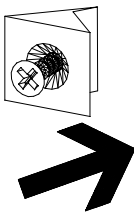
10

111040/2

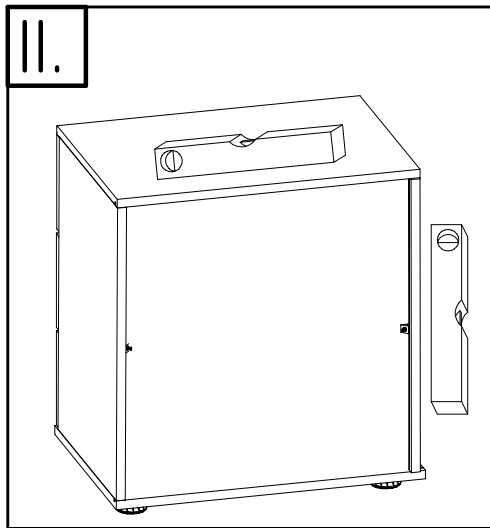
SBV



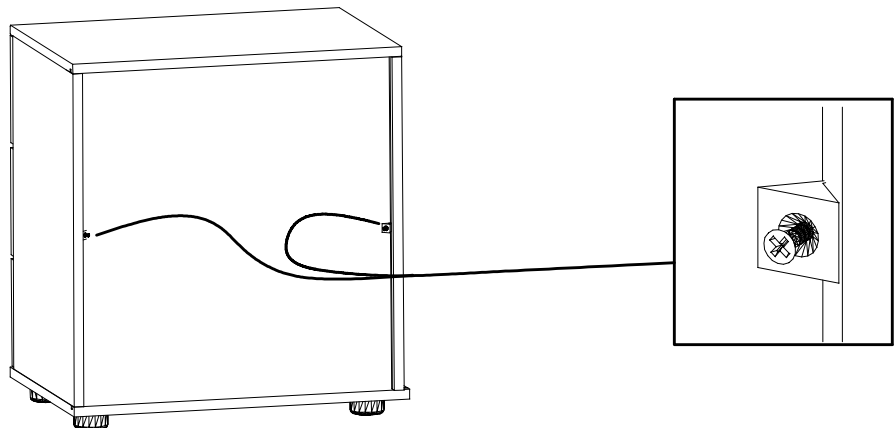
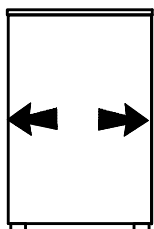
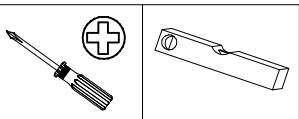
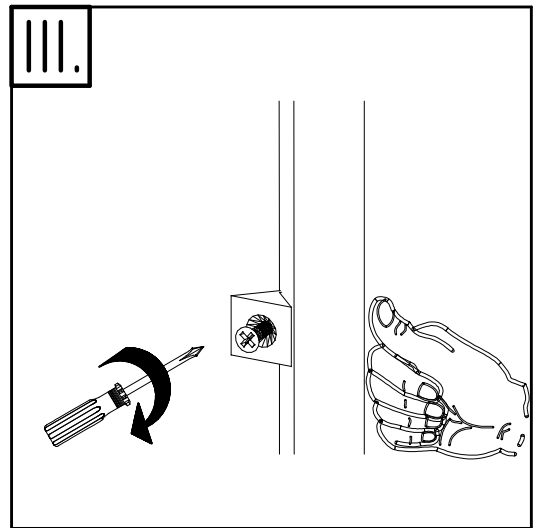
I.



II.



III.



980103

19.05.14 / -

05 14

5/6

