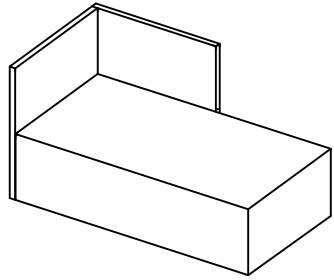








DESCRIPTION



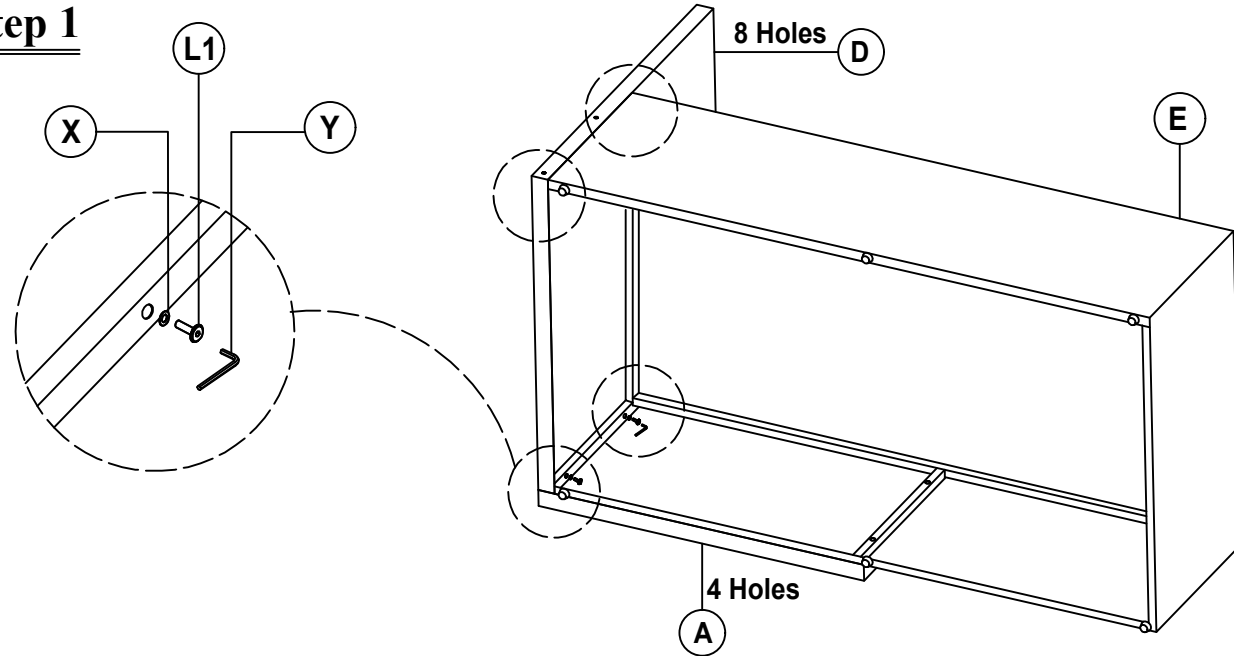
Bench : Short Back

HARDWARE

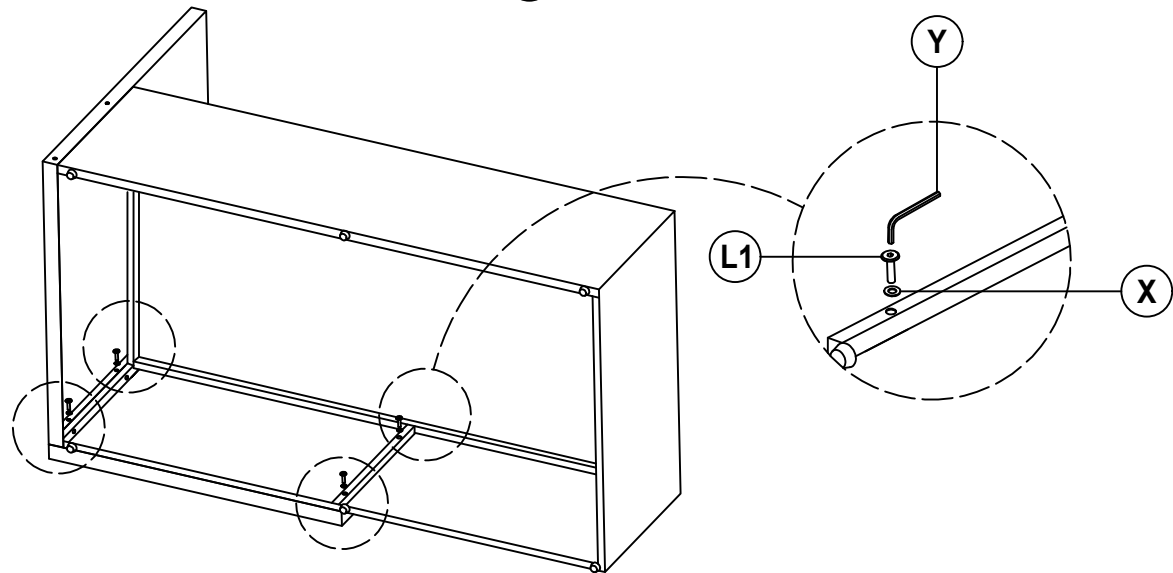
No.	Item	Detail	Quantity
1	X		x8
2	Y		x1
3	L1	 M6x30mm	x8
4	A	 4 holes	x1
5	D	 8 holes	x1
6	E		x1

ASSEMBLY INSTRUCTIONS

Step 1



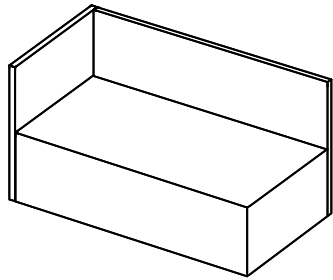
Step 2



IMPORTANT NOTE:



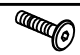

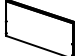
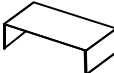
Do not tighten all screws/bolts until all completely assembled.
Thank you.

DESCRIPTION

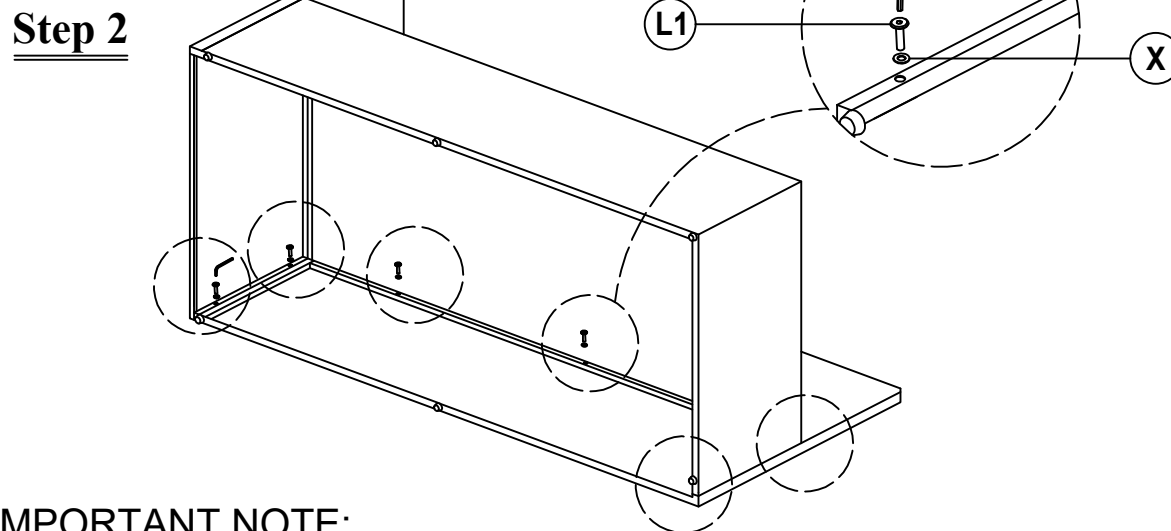
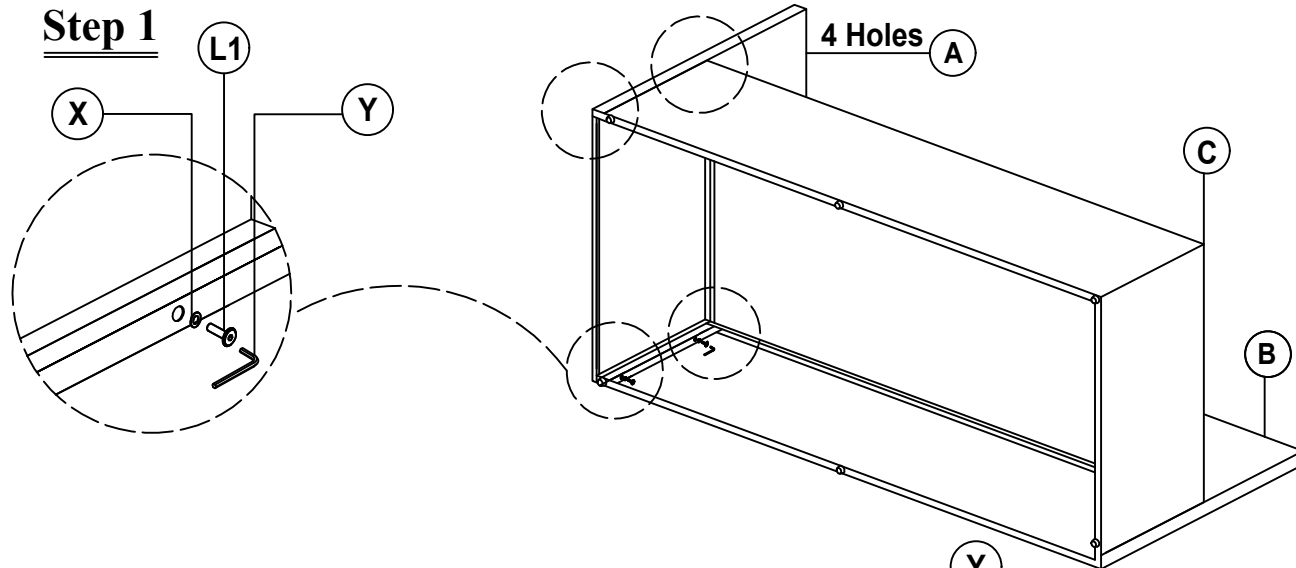


Bench : Long Back

HARDWARE

No.	Item	Detail	Quantity
1	X		x10
2	Y		x1
3	L1	 M6x30mm	x10
4	A	 4 Holes	x1
5	B		x1
6	C		x1

ASSEMBLY INSTRUCTIONS

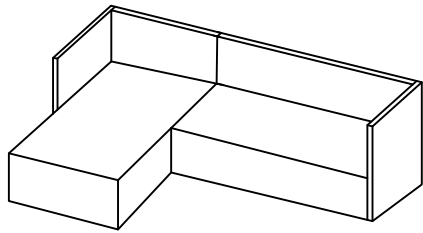


IMPORTANT NOTE:

Do not tighten all screws/bolts until all completely assembled.
Thank you.

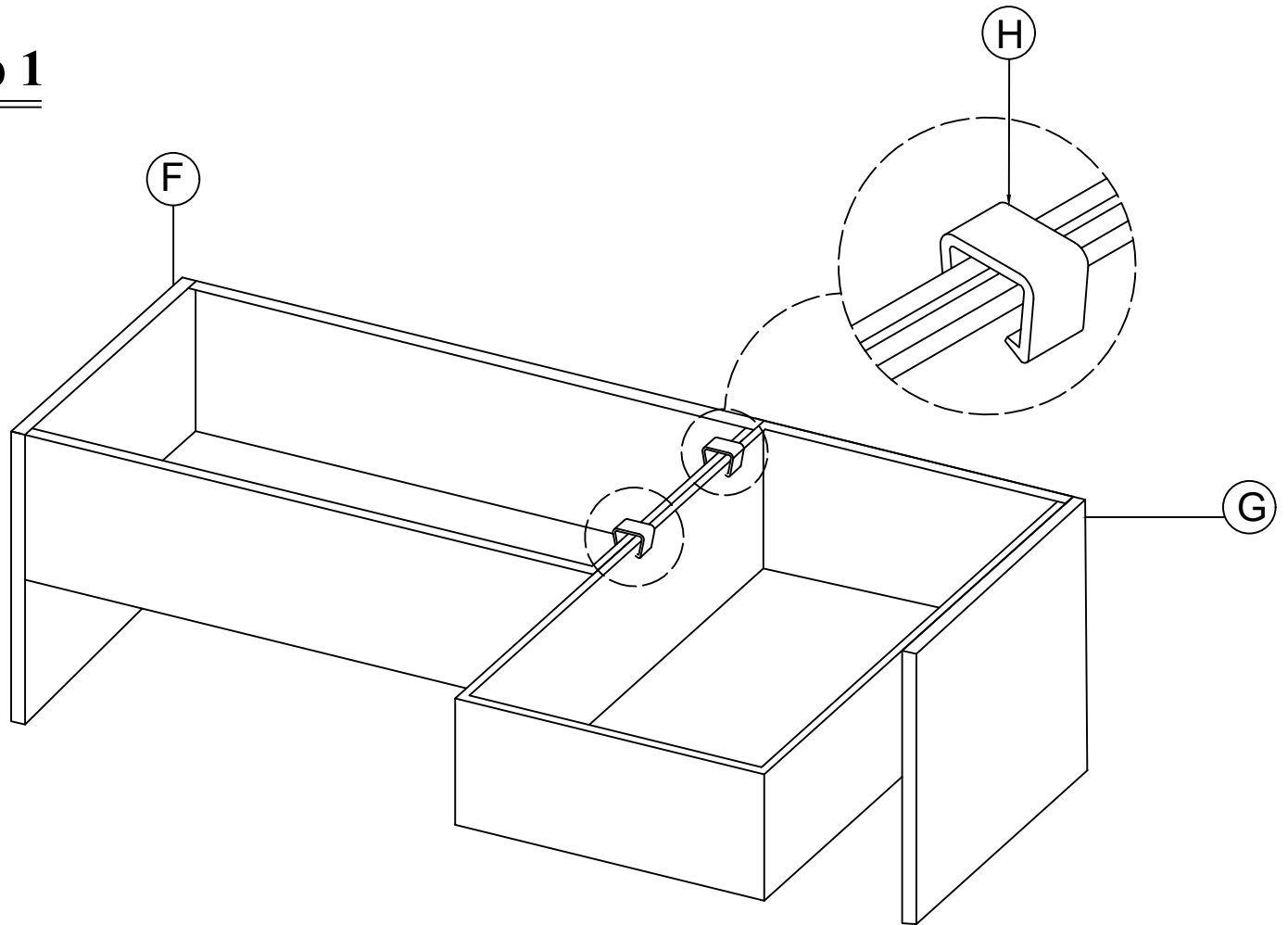
DESCRIPTION

ASSEMBLY INSTRUCTIONS



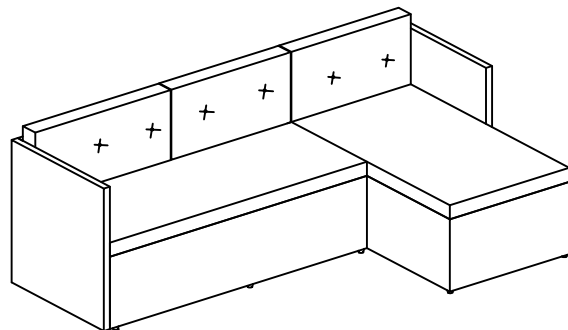
Whole Set

Step 1

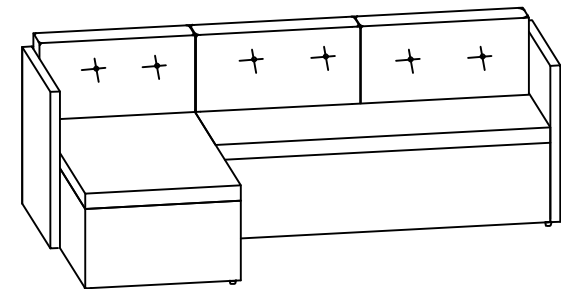


HARDWARE

No.	Item	Detail	Quantity
1	F		x1
2	G		x1
3	H		x2



OPTIONS 1



OPTIONS 2