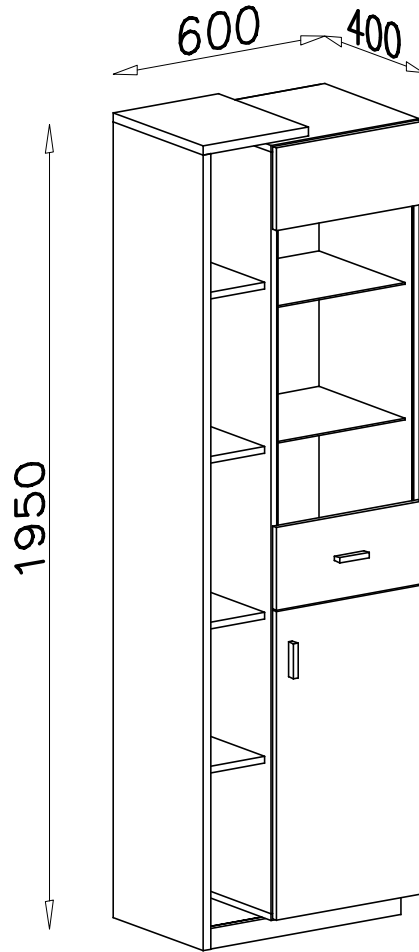
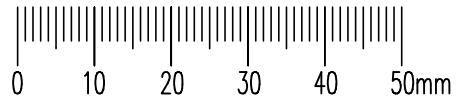
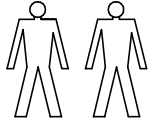
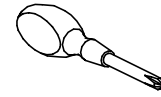
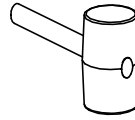
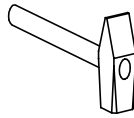
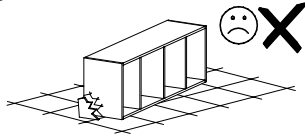
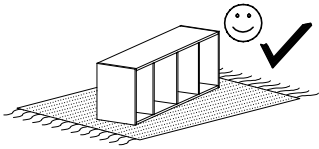

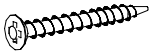
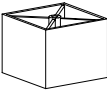
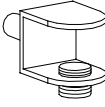
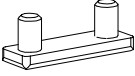
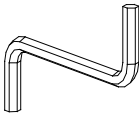

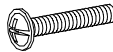

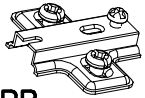
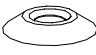



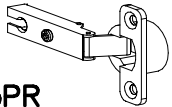
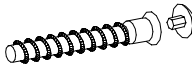

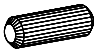
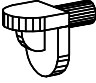
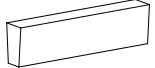
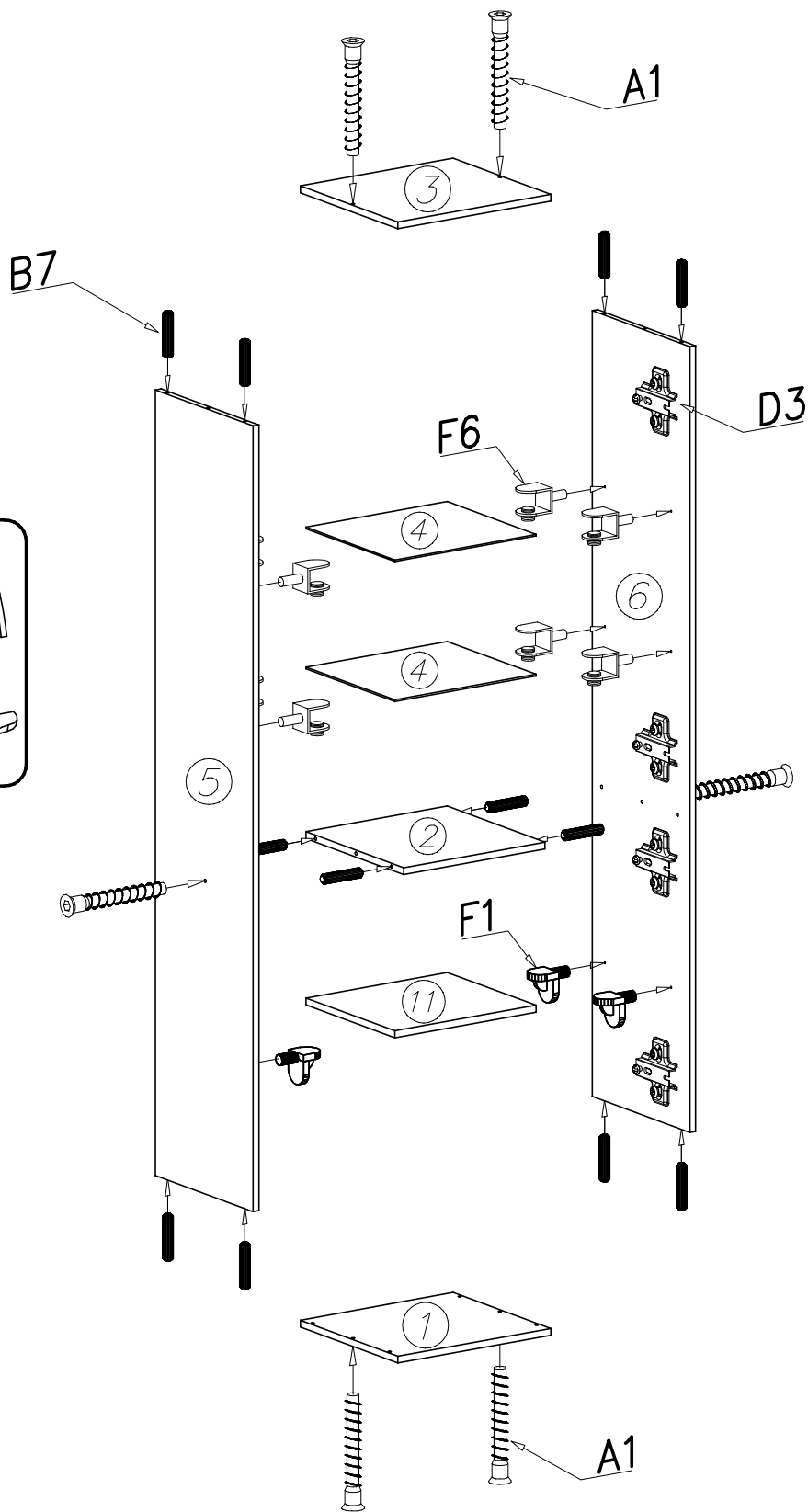
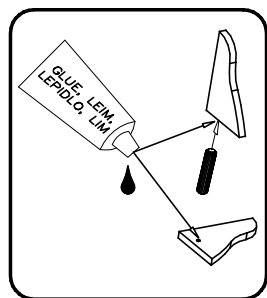


ETNA ET 2

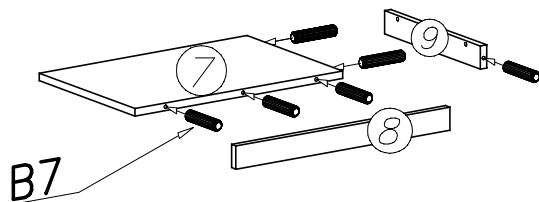


A5  $\varnothing 7 \times 60$ x2	G23  4×40 x1	P29  x1	F6  x8	P3  x6
W2  x1	W1  x2	N14  $M4 \times 22$ x4	G22  4×20 x6	D3  PZ35PR x4
S2  x13	G4  4×16 x8	G2  3×20 x50	I3  x6	C3  Z35PR x4
A1  $\varnothing 7 \times 50$ x8	B7  $\varnothing 8 \times 30$ x23	B8  $\varnothing 8 \times 20$ x4	F1  x20	E34  x2

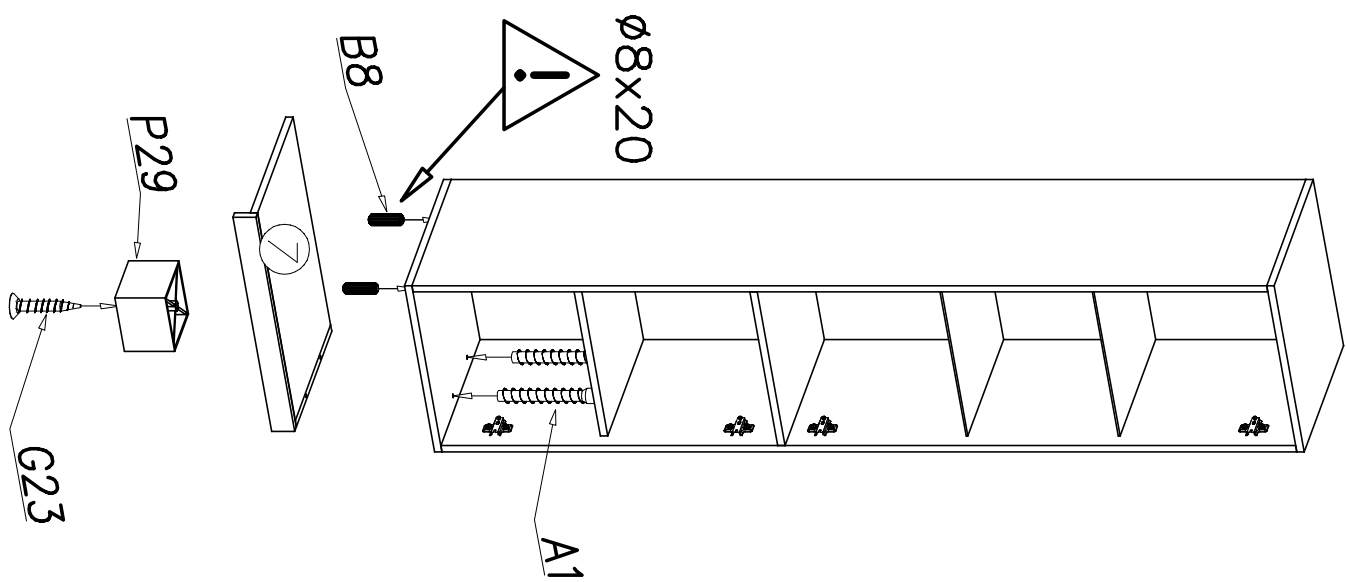
I



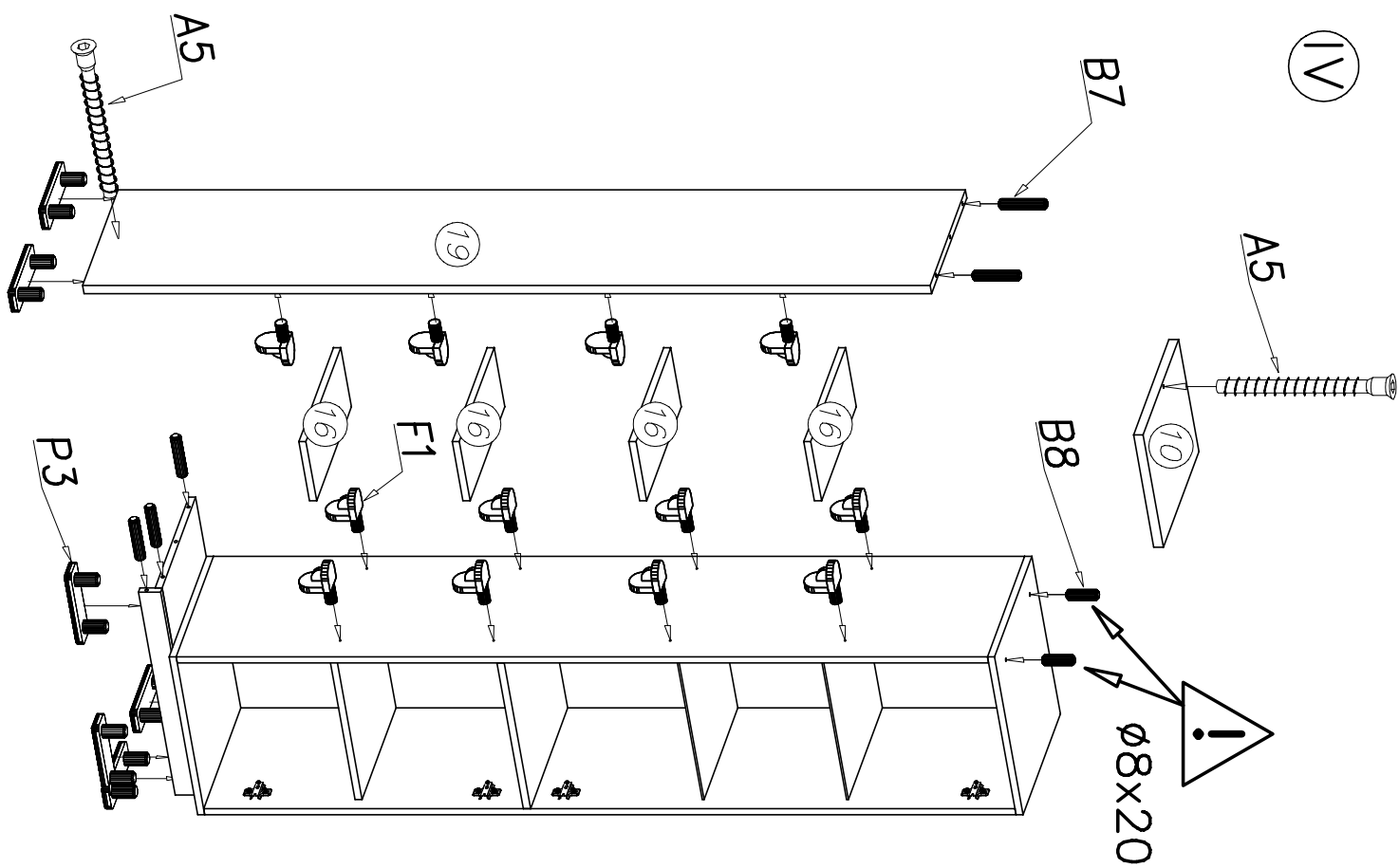
II



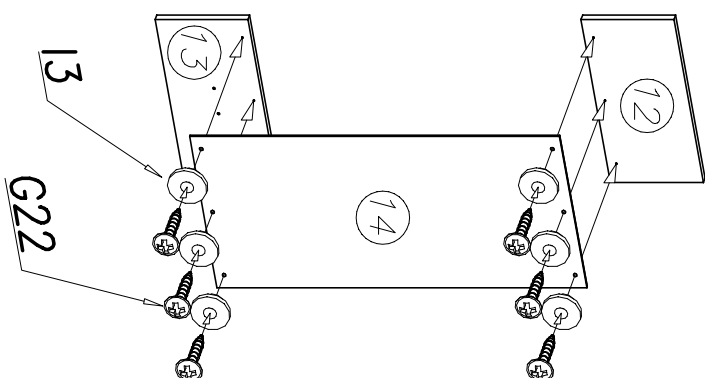
III



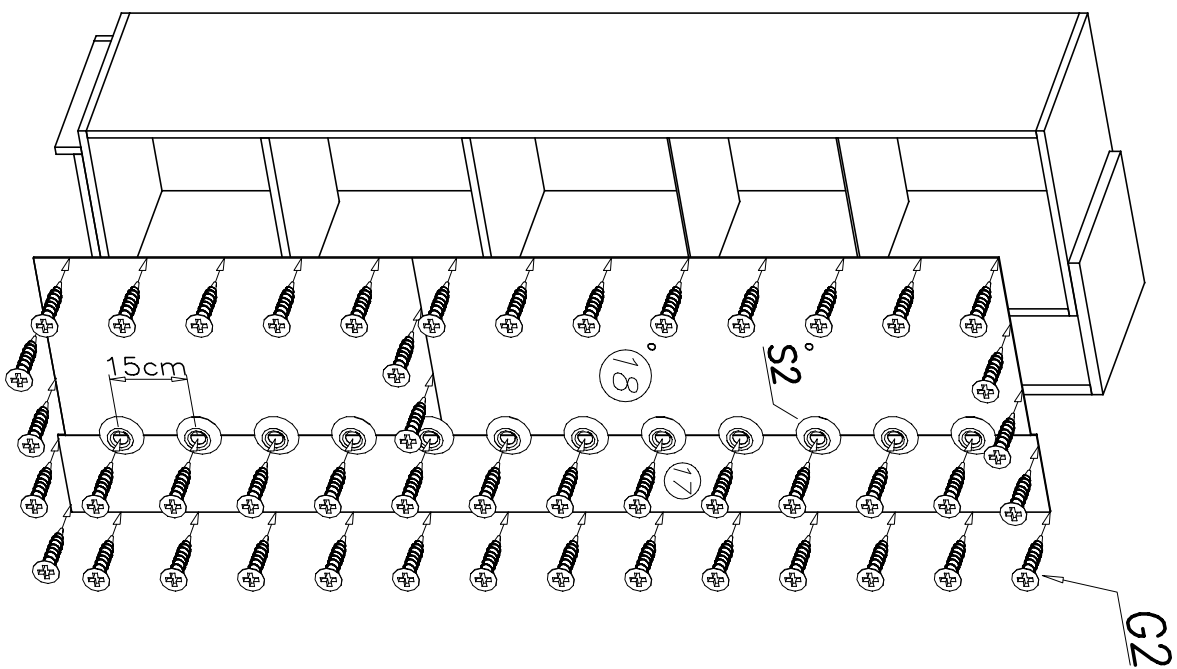
IV



V



VI



VII

