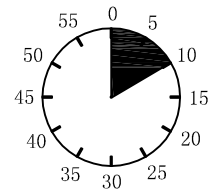
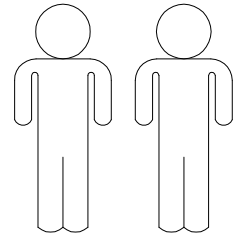
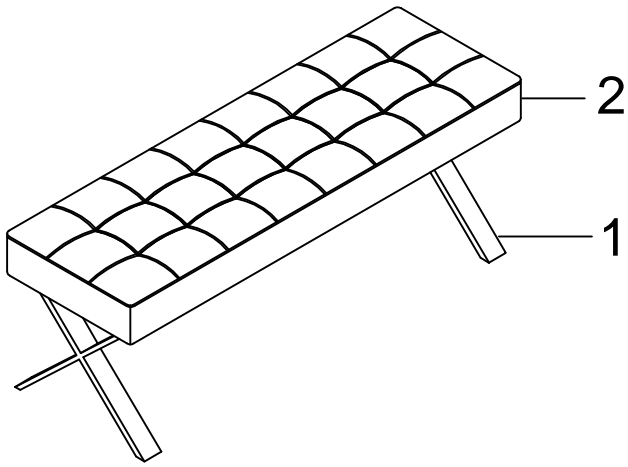
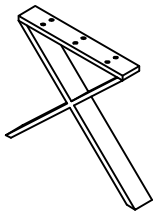


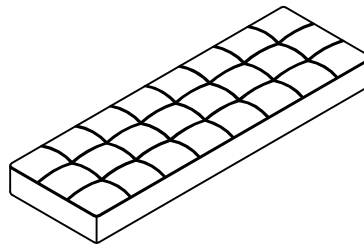
# Donna 2



1



2



1	2X
2	1X

A

M8\*35



12X

B

Ø18\*Ø8\*1.5



12X

C

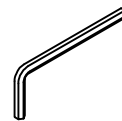
M8



12X

D

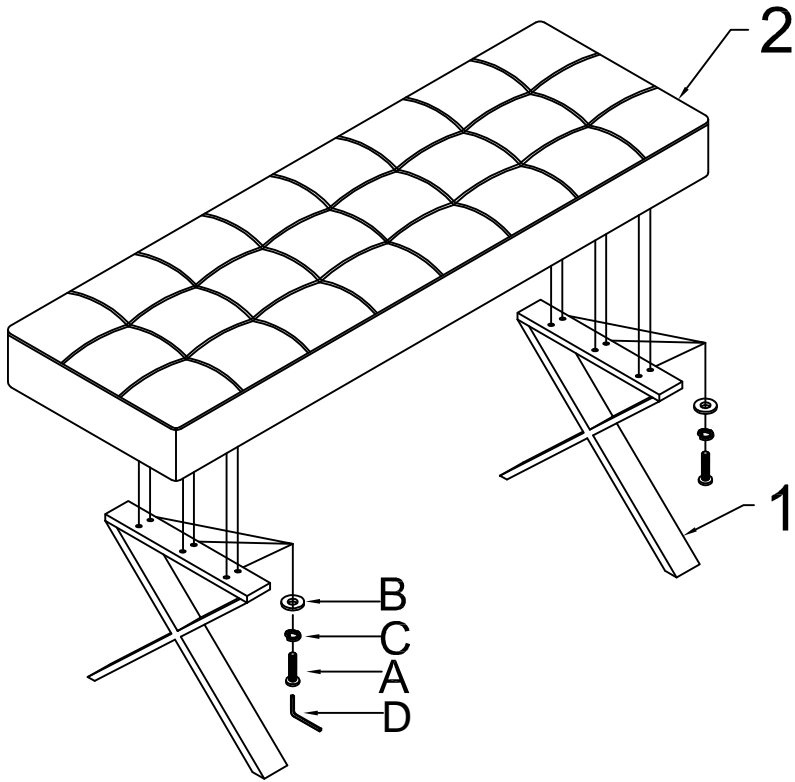
5mm








1X

I.

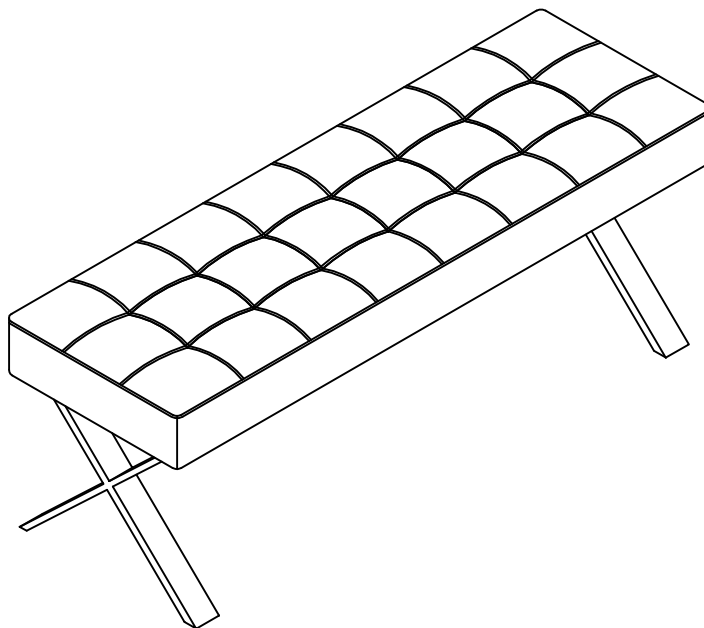
1.





- A  M8\*35  
12X
  - B  Ø18\*Ø8\*1.5  
12X
  - C  M8  
12X
  - D  5mm  
1X
- 

75%

2.



- D  5mm  
1X
- 

100%

