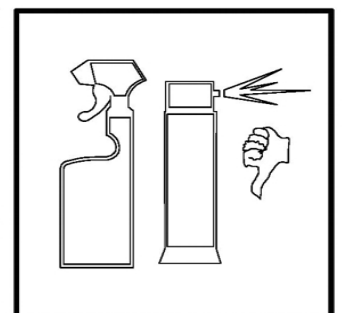
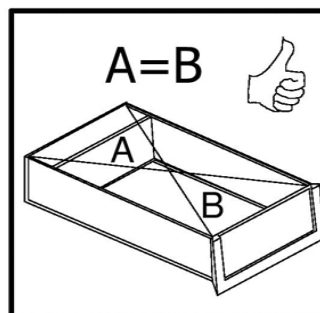
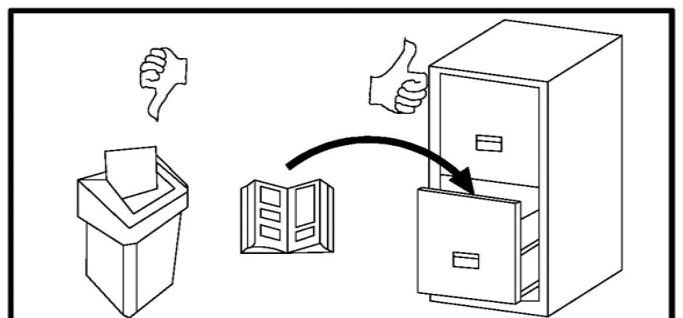
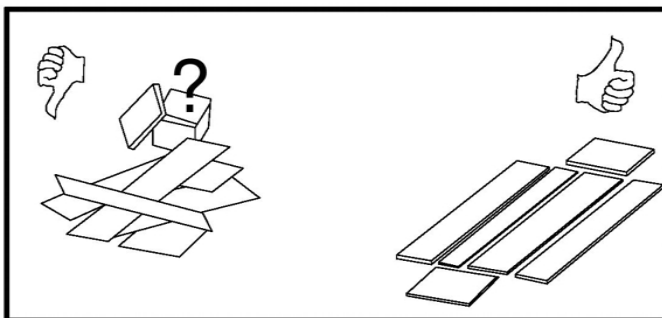
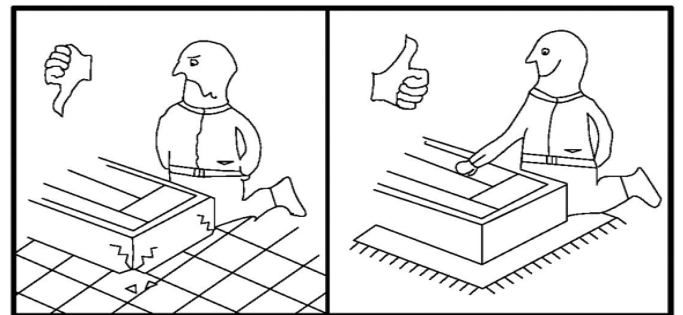
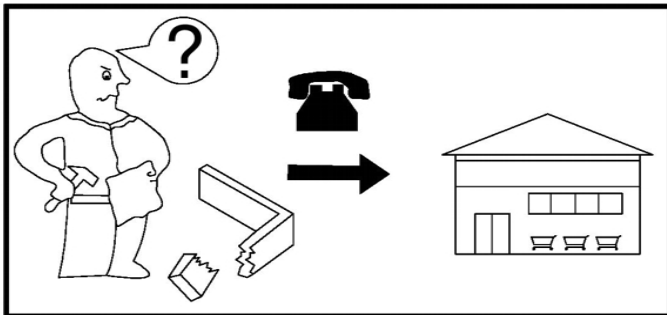
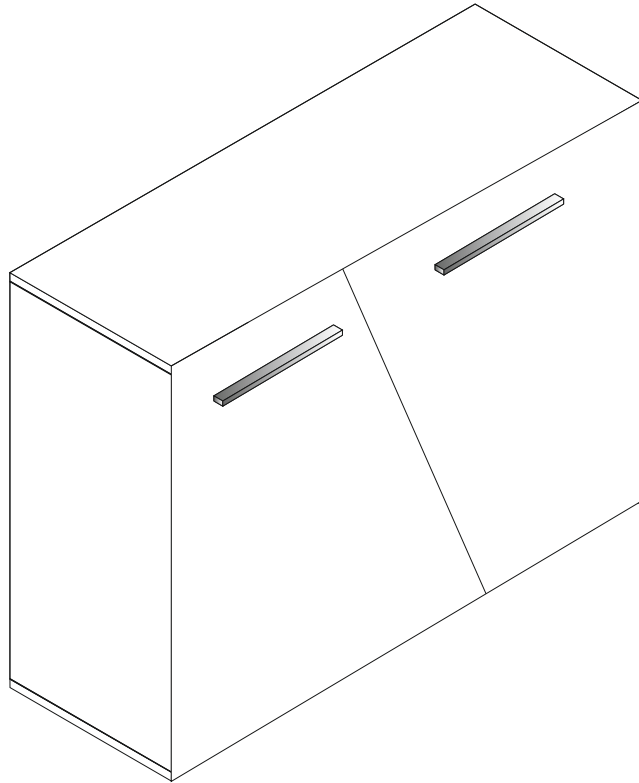
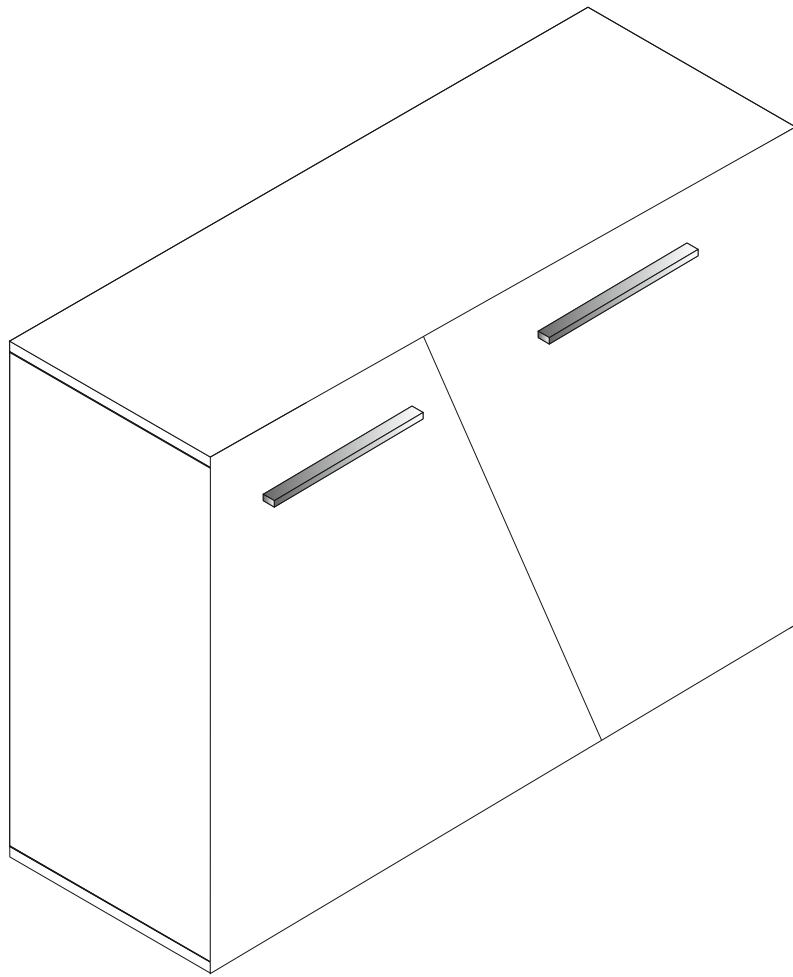
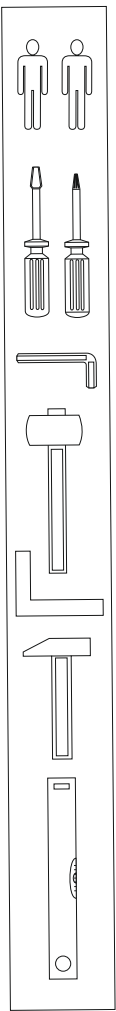
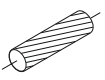
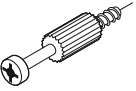
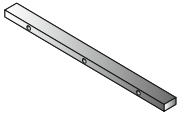
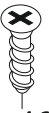
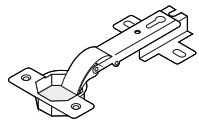

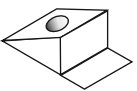

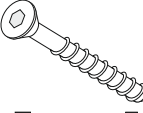



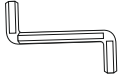



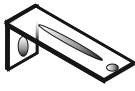


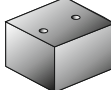
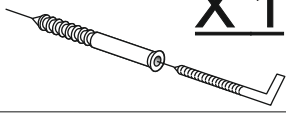

STRAIGHT KOMMODE 1



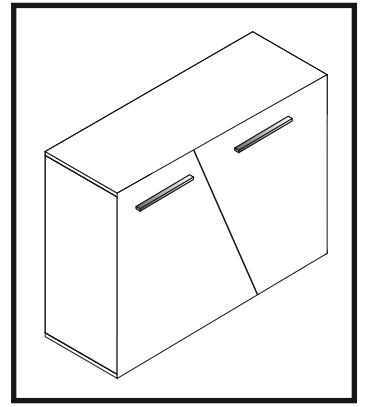
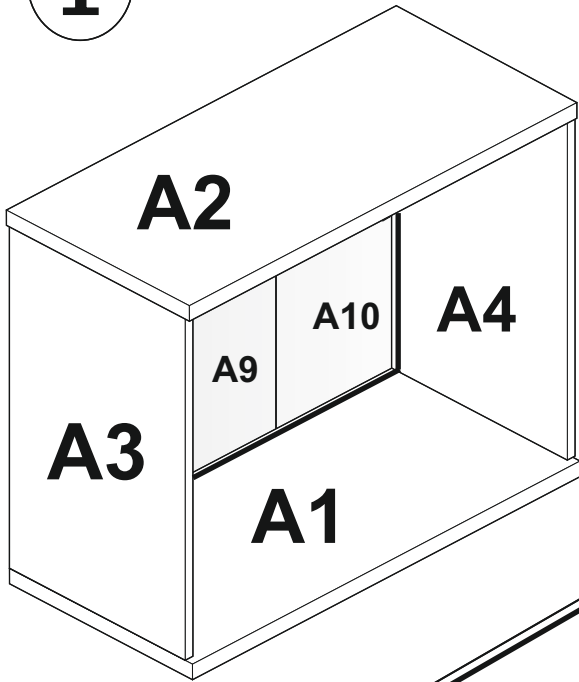


1	 8mm x 35mm	<u>X 8</u>
2		<u>X 4</u>
3		<u>X 2</u>
4A	 4mm x 16mm	<u>X 1</u>
5		<u>X 4</u>
6	 5mm x 11mm	<u>X 8</u>
38		<u>X 8</u>

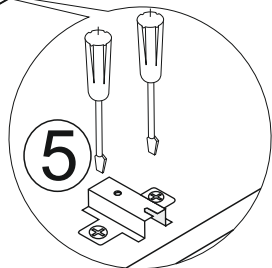
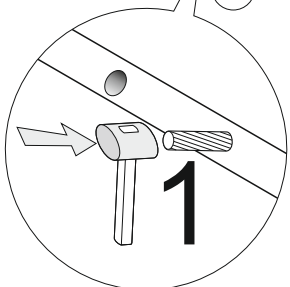
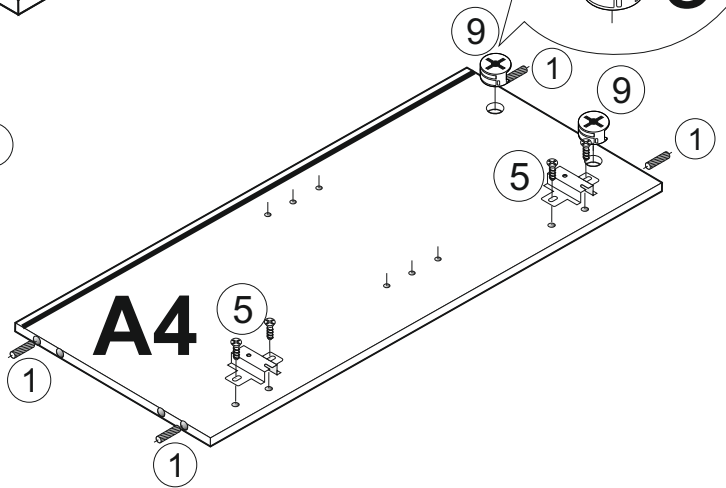
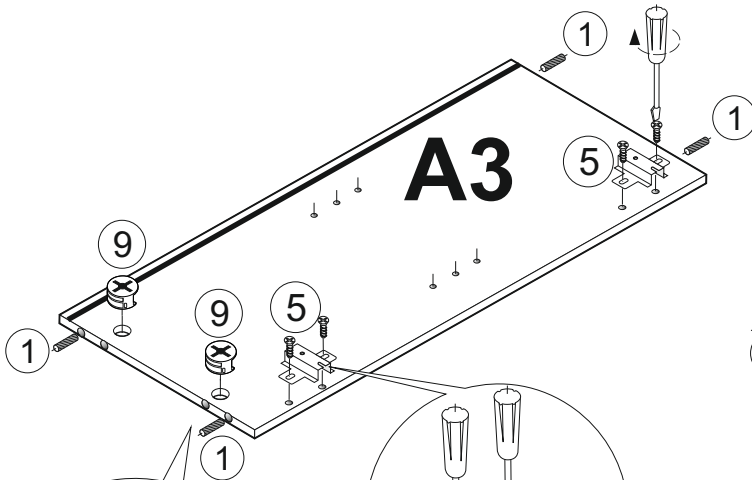
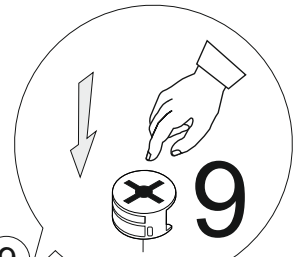
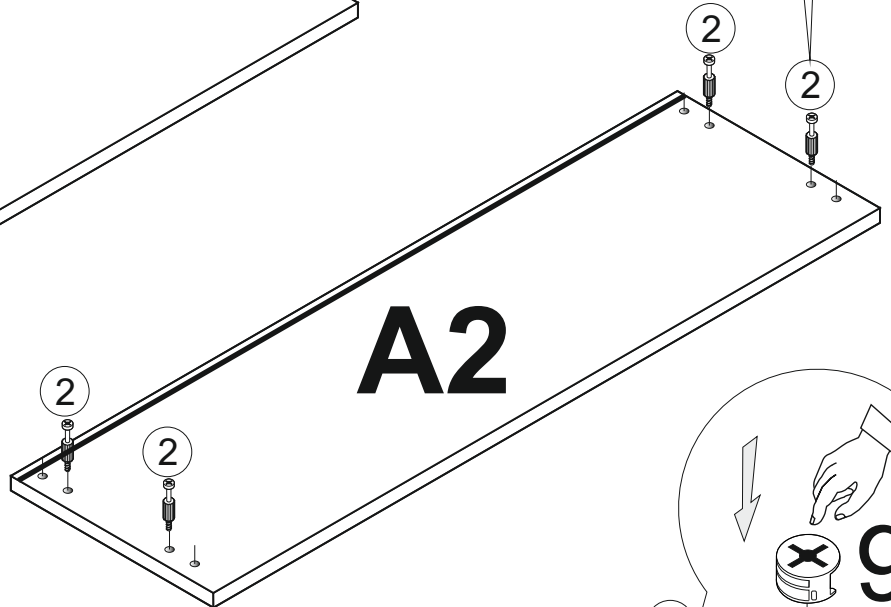
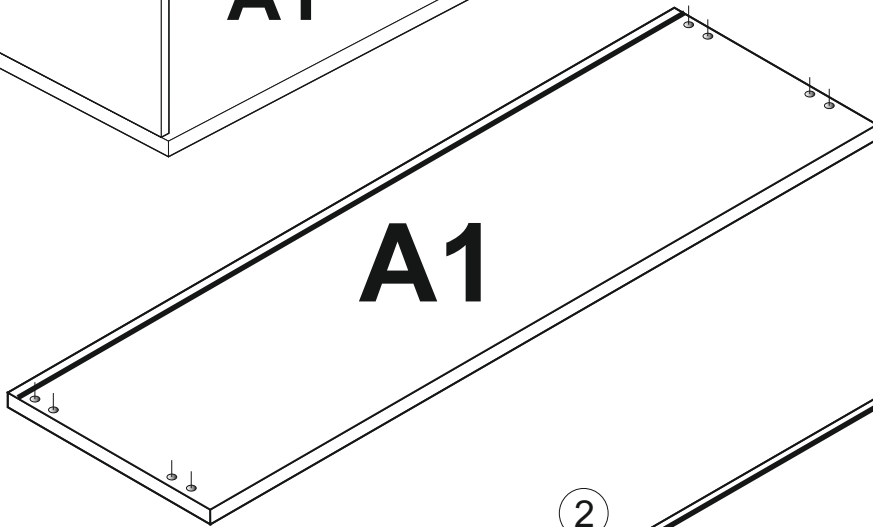
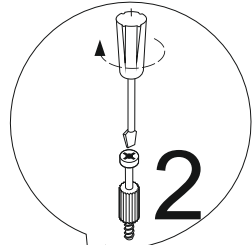
13		<u>X 4</u>
22	 7mm x 50mm	<u>X 4</u>
9A		<u>X 4</u>
9		<u>X 4</u>
4	 3.5x30	<u>X 6</u>
26		<u>X 1</u>
60	 734mm	<u>X 1</u>

41		<u>X 1</u>
22A		<u>X 4</u>
53	 3.5x20	<u>X 8</u>
10		<u>X 4</u>
80		<u>X 1</u>
39	 3x20	<u>X 8</u>

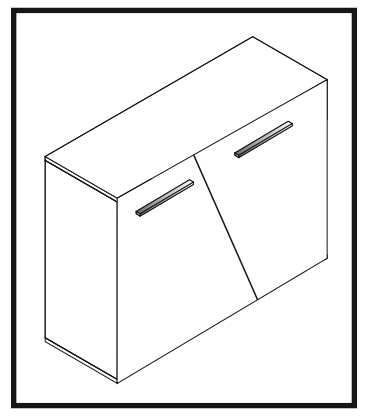
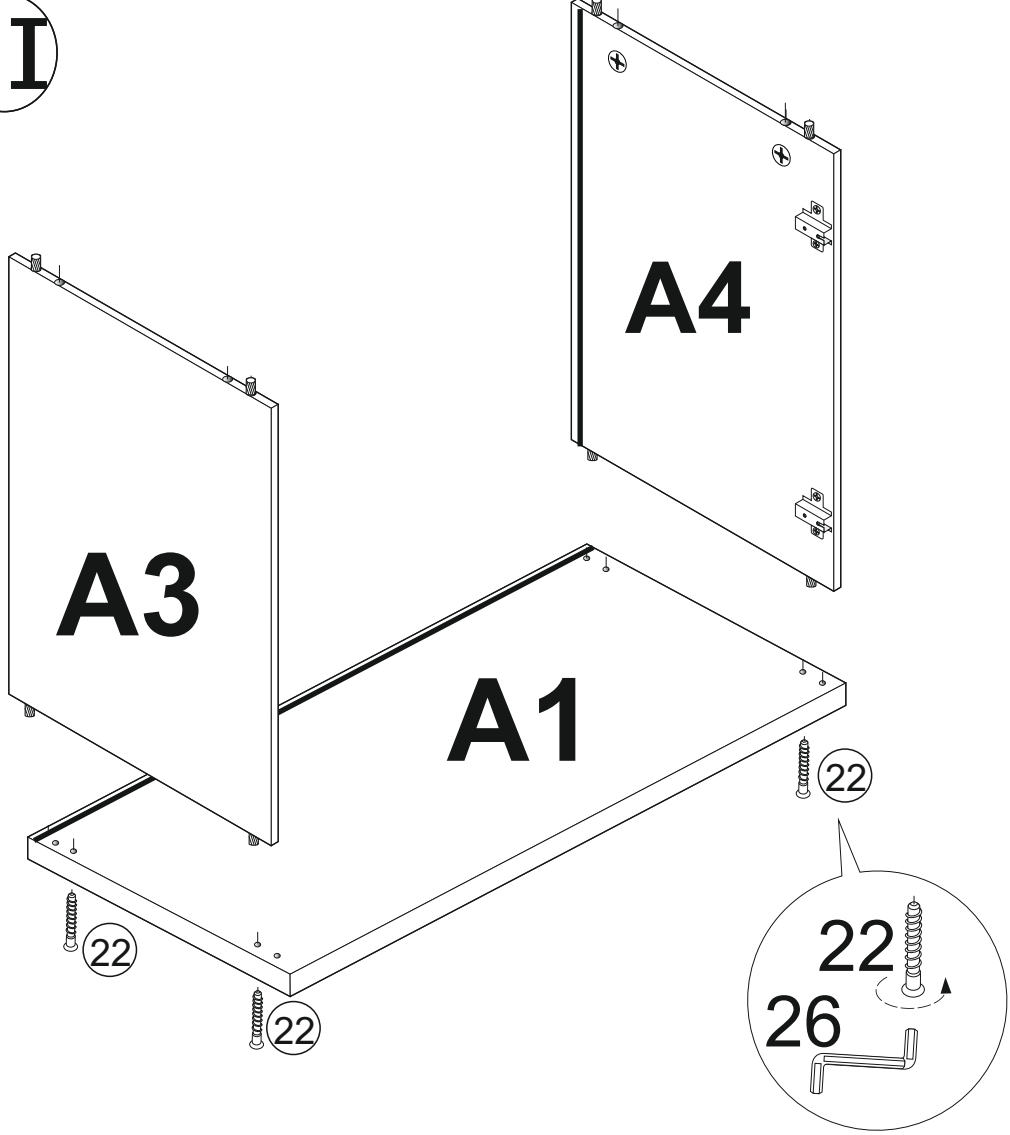
I



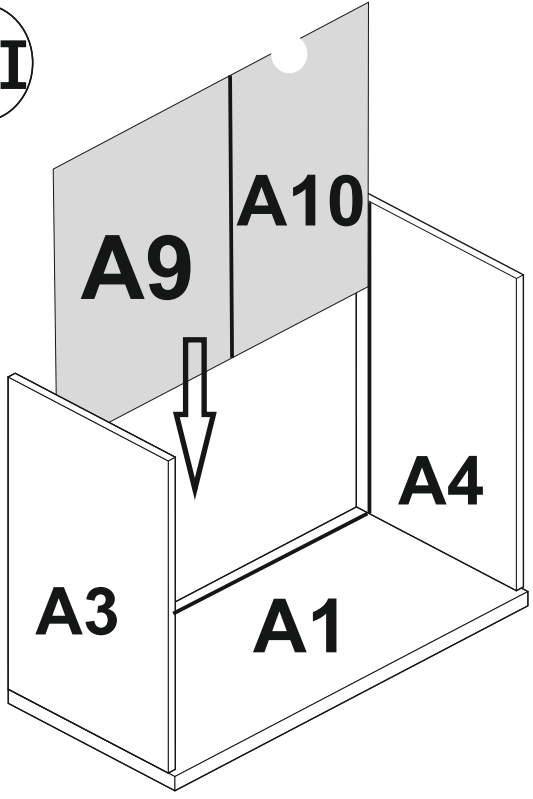
A3/ A4 736mm x 360mm
A1/ A2 901mm x 360mm



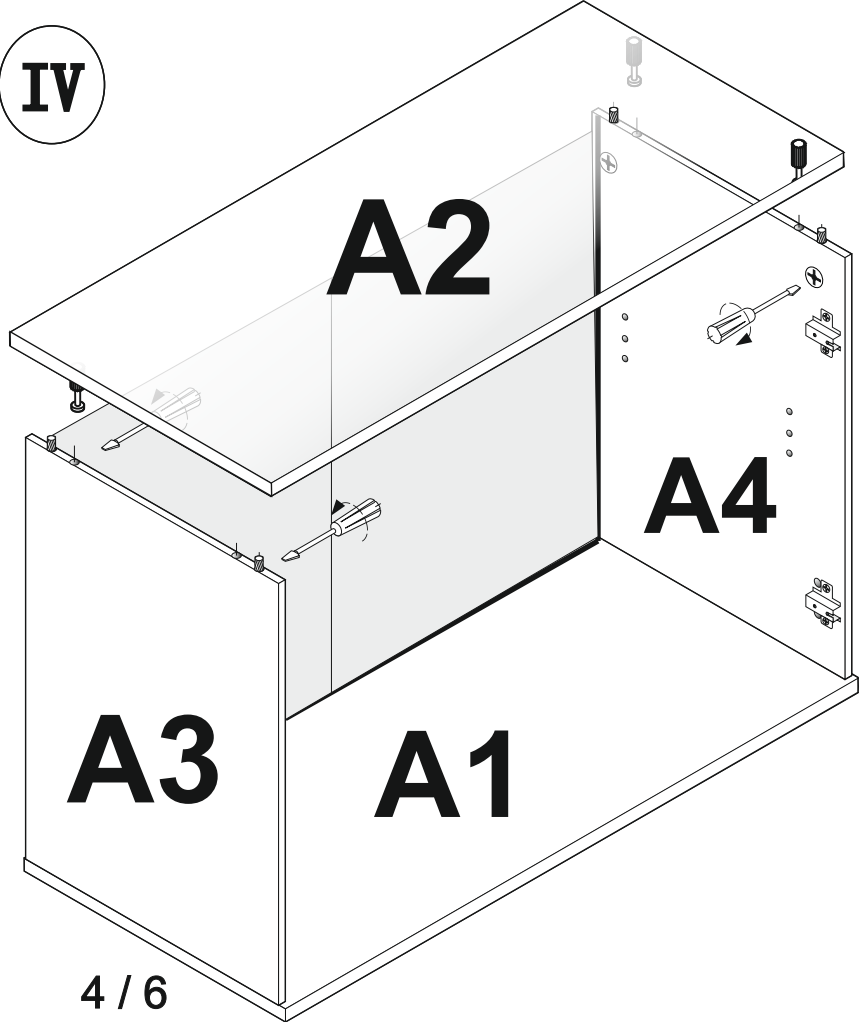
II



III

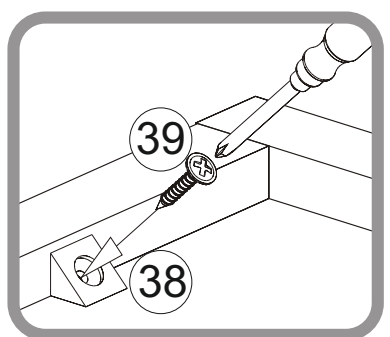
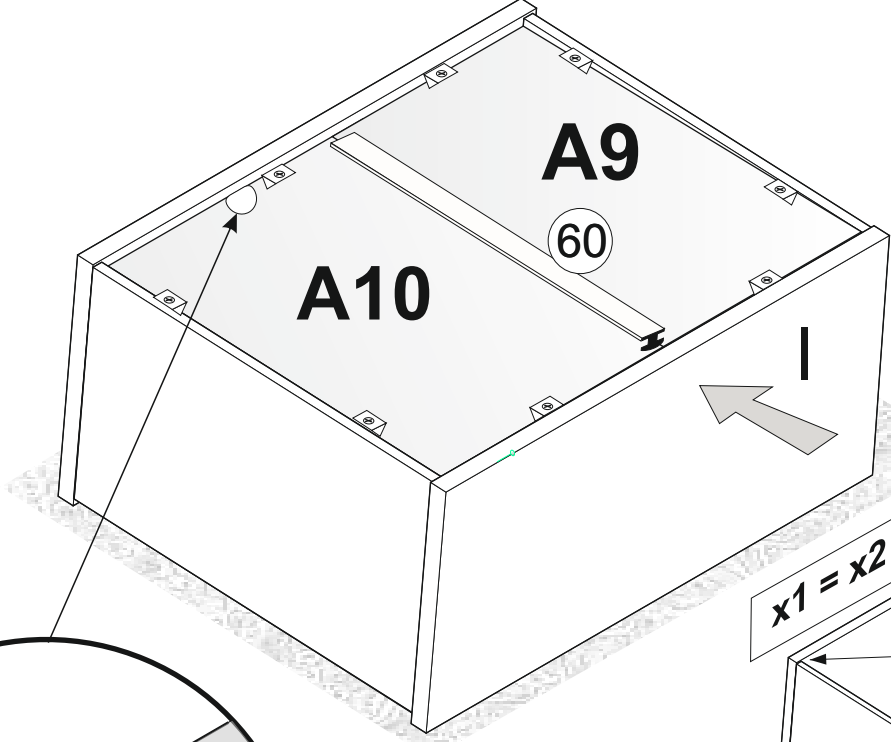



IV

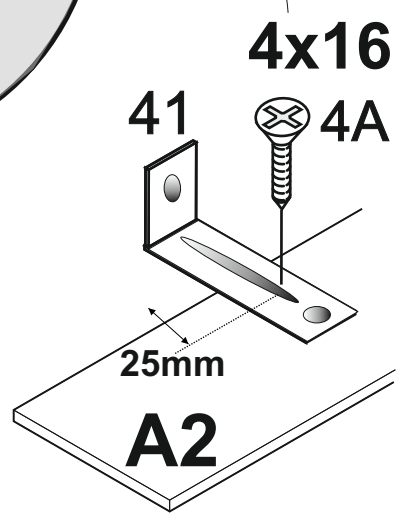
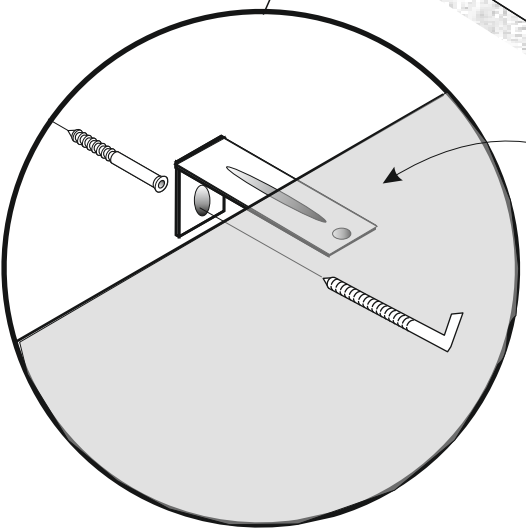
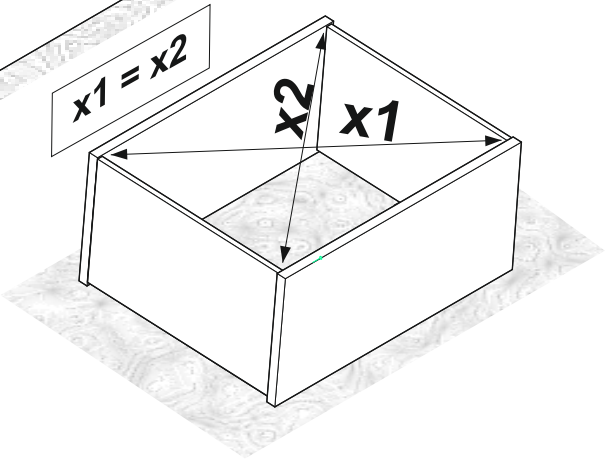


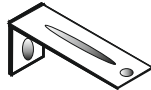

A9	746mm x 464mm
A10	746mm x 413mm

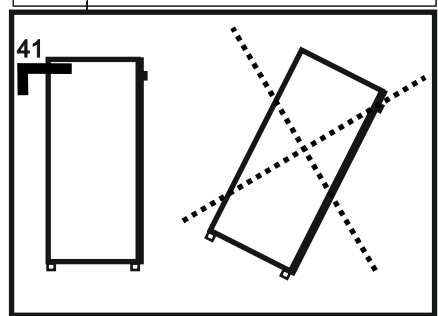
V



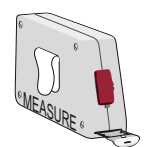
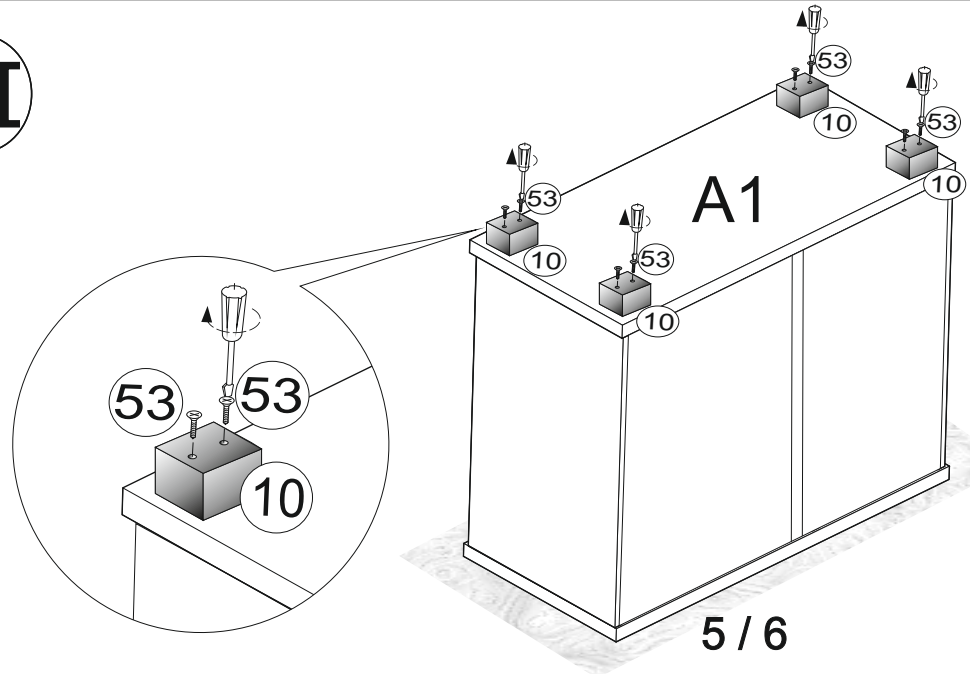
60	 734mm	X 1
----	--	------------



41		X 1
4A	 4x16	X 1

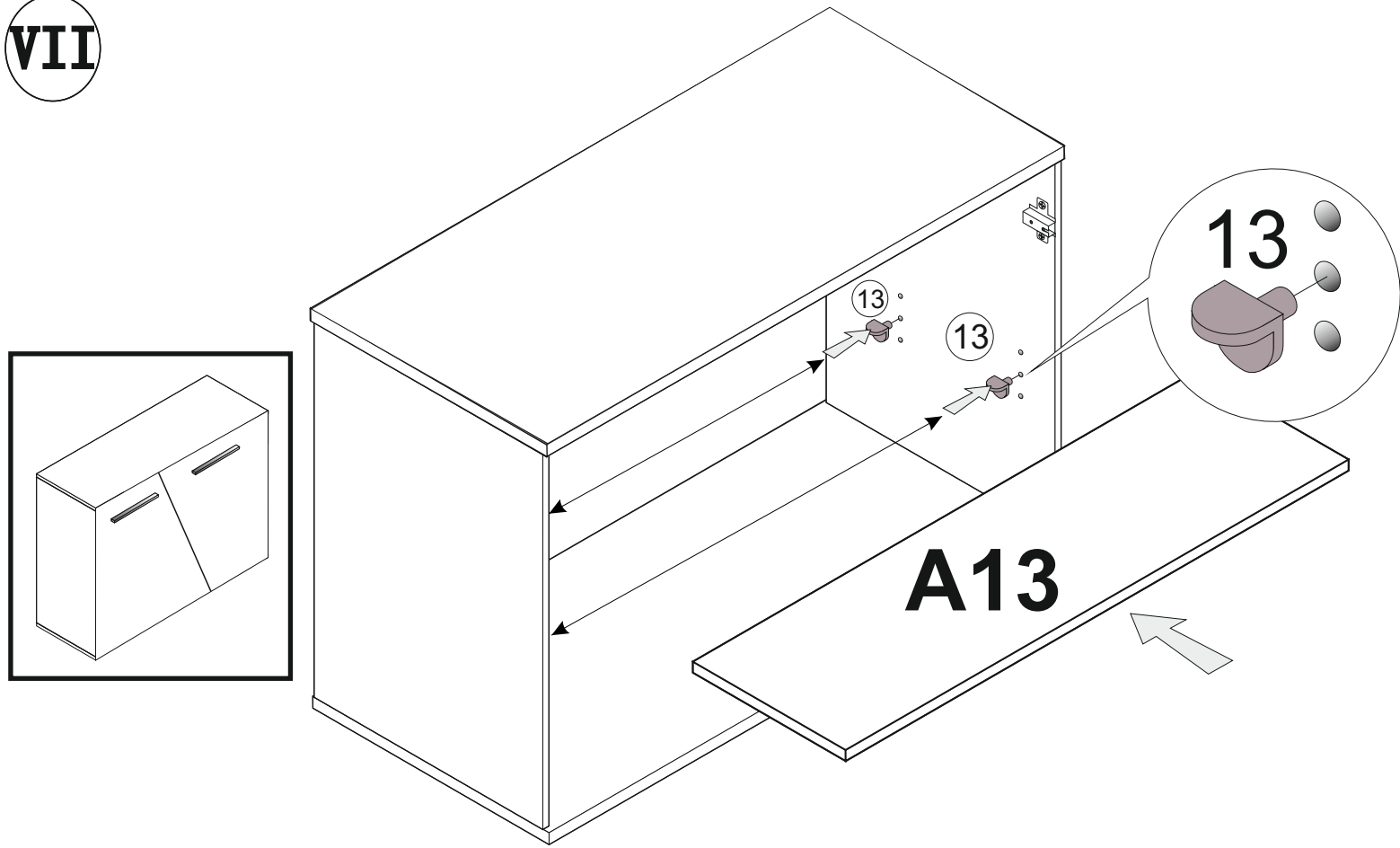


VI



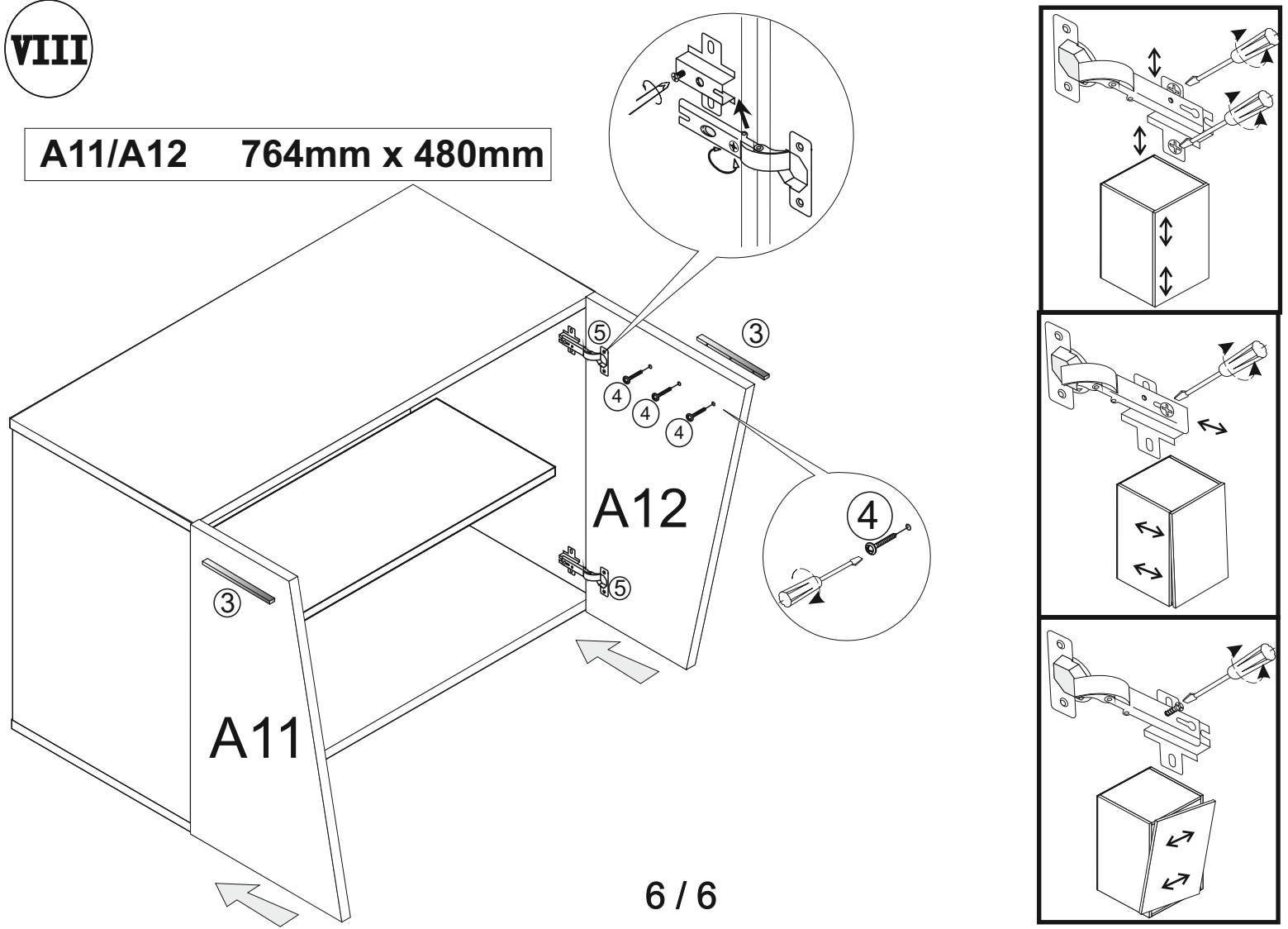
39	 3x20		
53	 3.5x20		

VII



A13 867mm x 320mm

VIII



A11/A12 764mm x 480mm