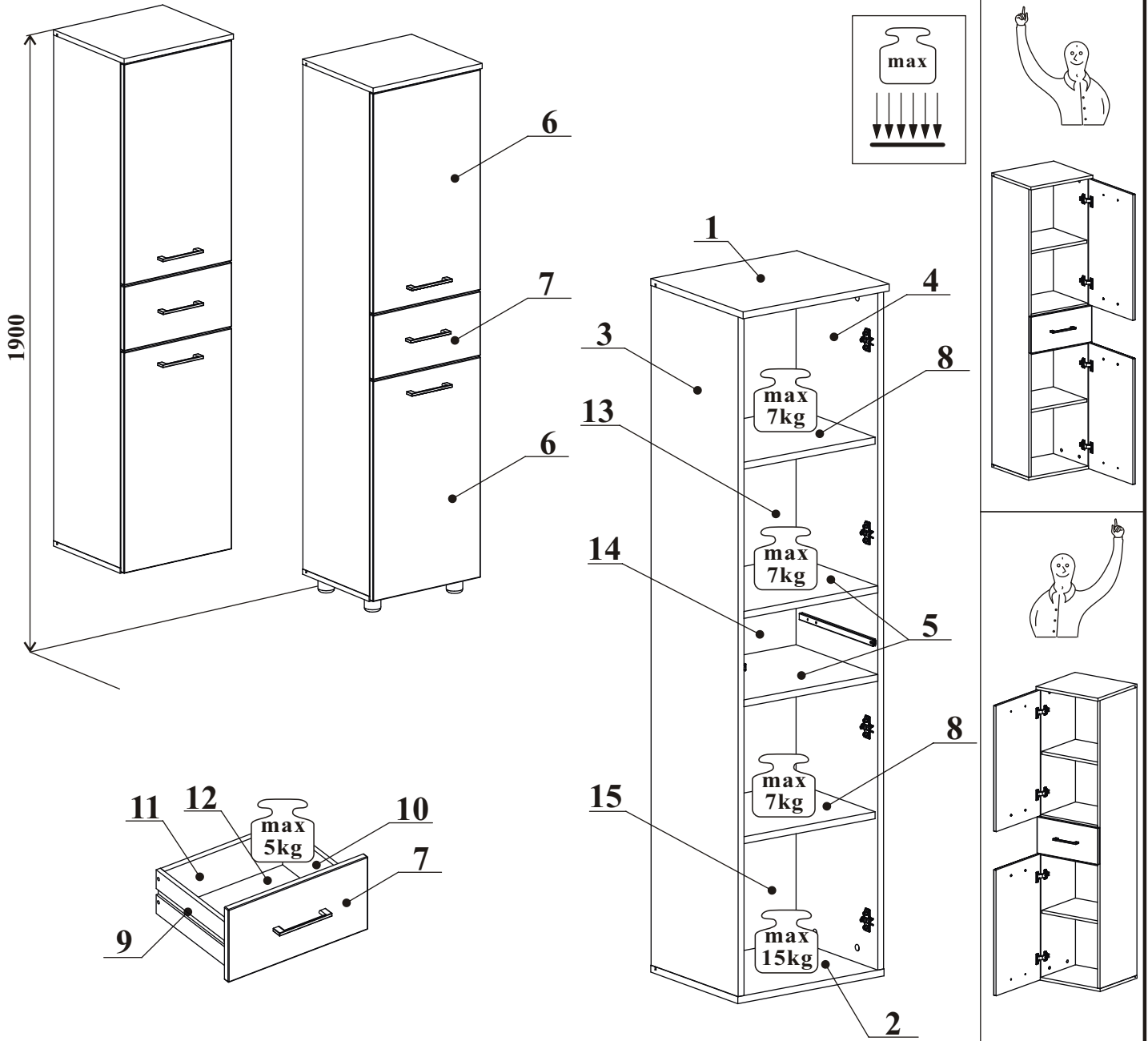
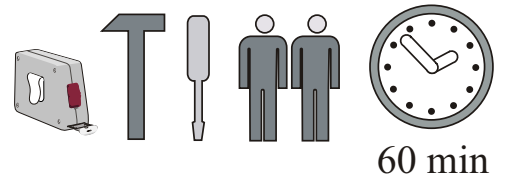


# SPLASH 70-251-\_\_-6

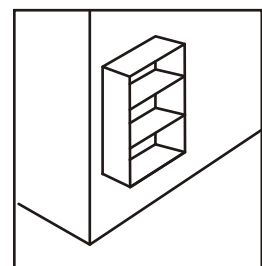
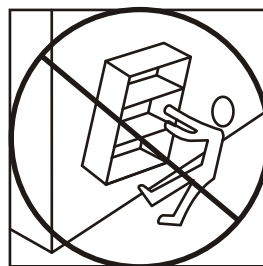
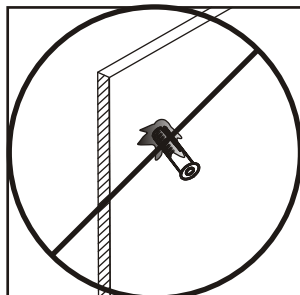
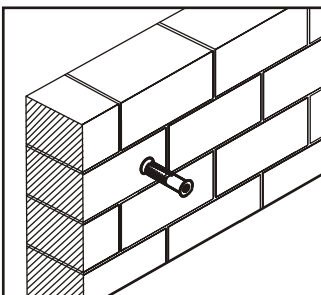
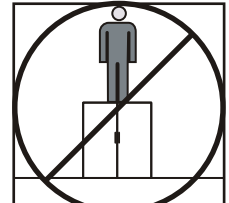
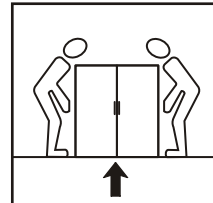
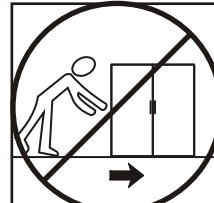
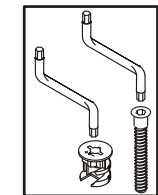
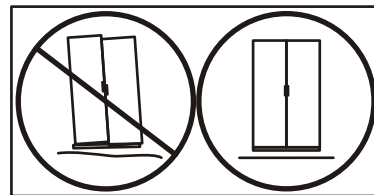
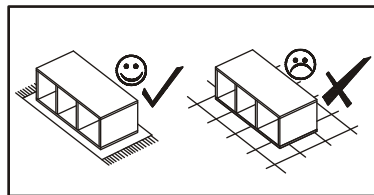
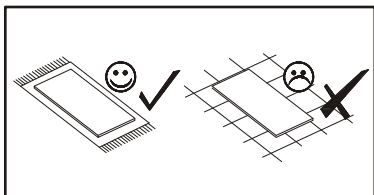
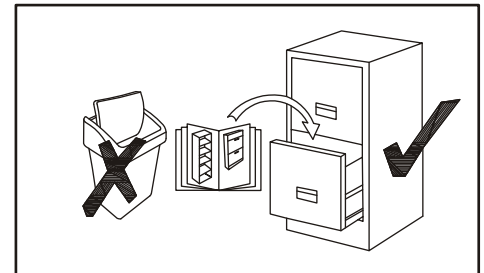
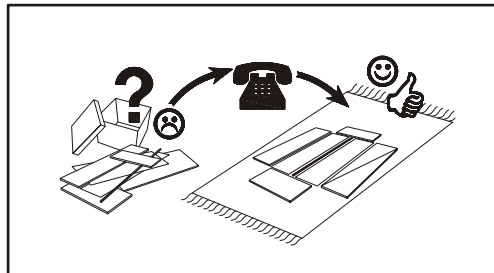
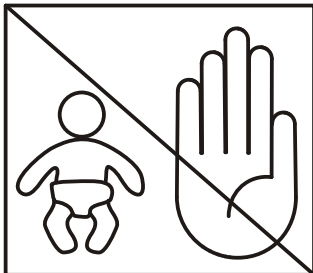
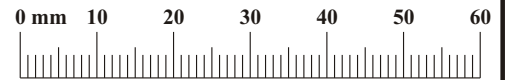


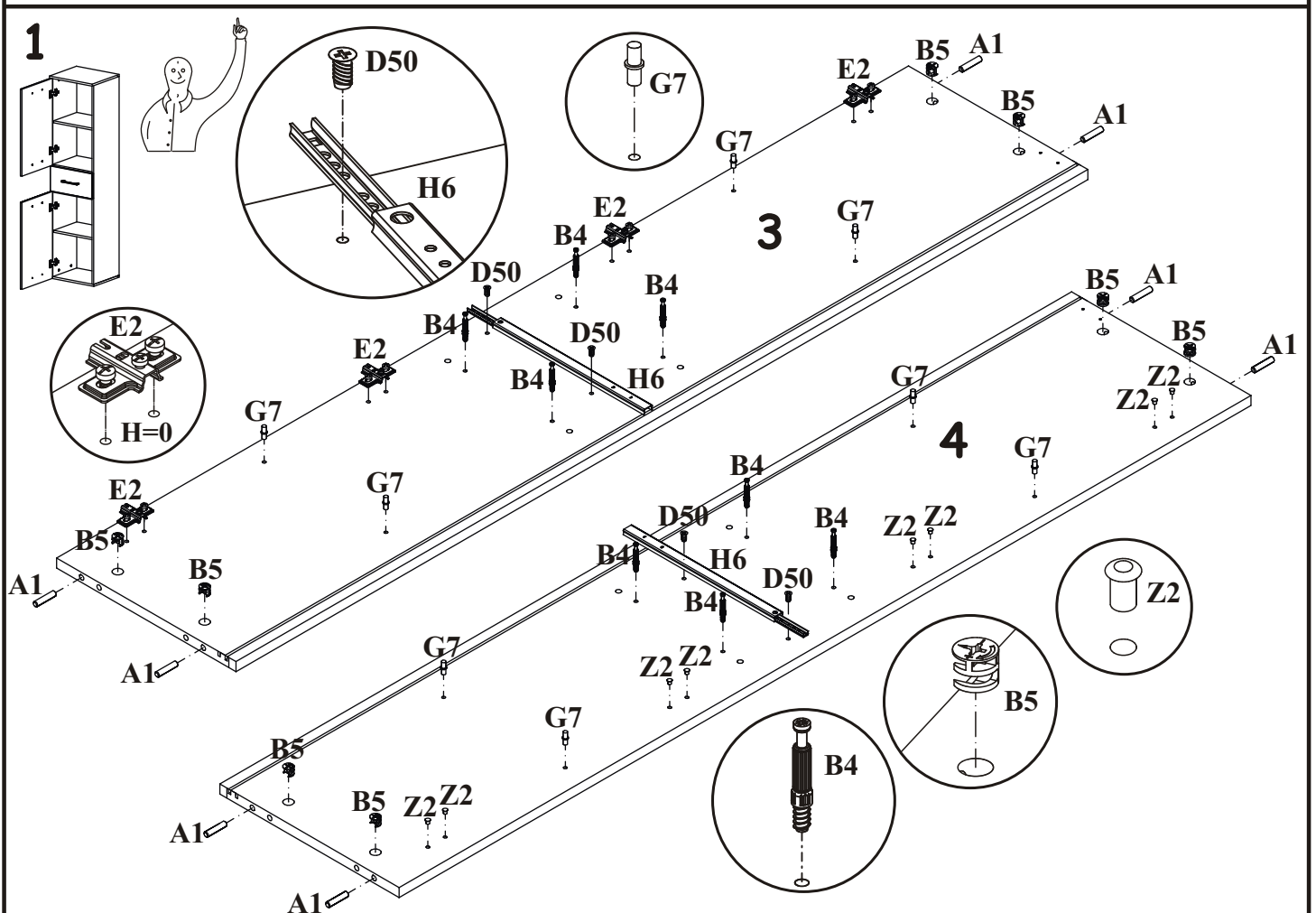
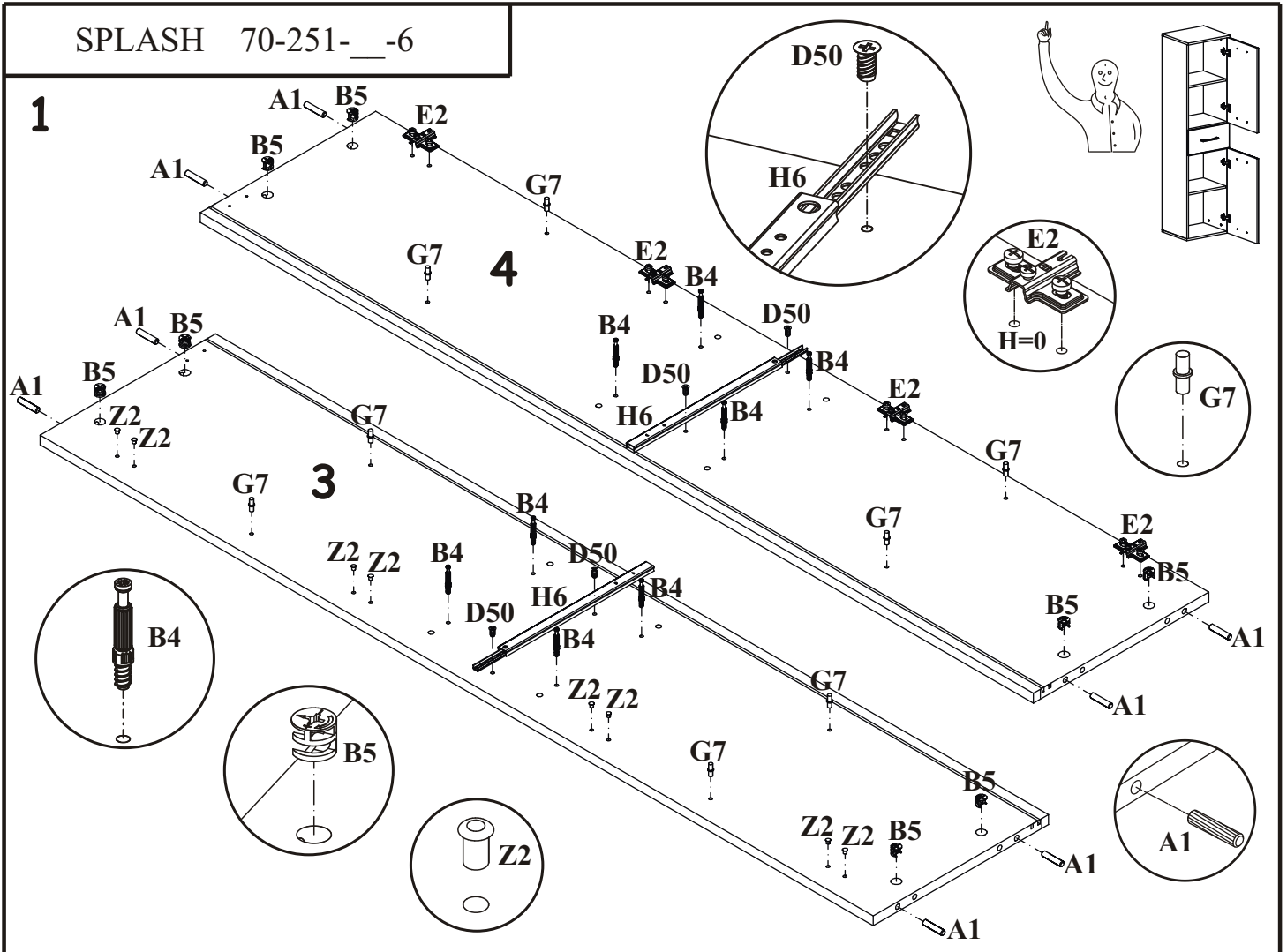
NO	Dim.		Col.-No	Qty
1	402	350	1	1
2	402	330	1	1
3	1568	330	1	1
4	1568	330	1	1
5	368	310	1	2
6	396	685	1	2
7	396	200	1	1
8	368	300	1	2
9	300	120	1	1
10	300	120	1	1
11	335	106	1	1
12	345	304	1	1
13	380	696	1	1
14	380	204	1	1
15	380	680	1	1



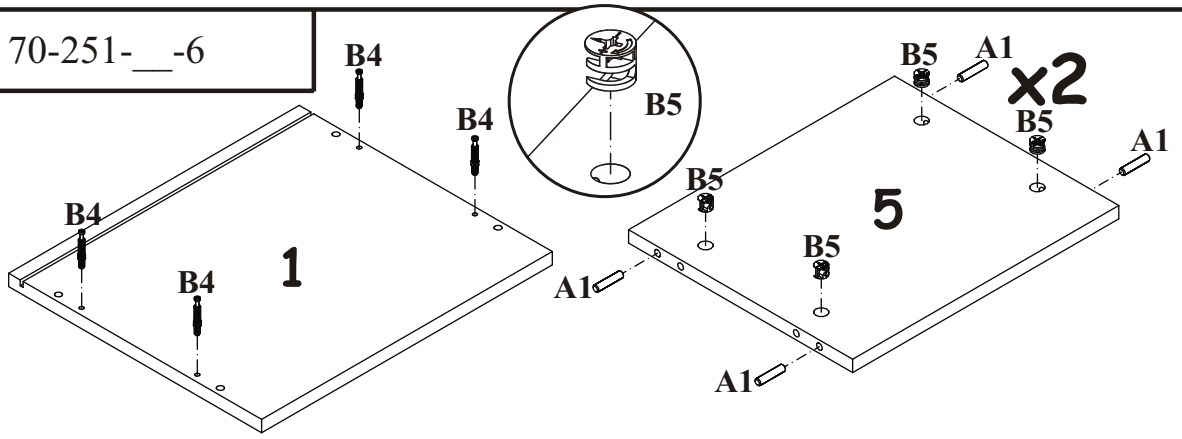
SPLASH 70-251-\_\_-6

A1 X18 ø8x36	B4 X18	B5 X16 ø15x12	B7 X2 Ø15x10,3	G5 X16	B11 X4 Ø7x50
U11 X3 L-128mm.	D26 X6 M4x22	S1 X14	G16 X4	UP13 X8 UPØ3x16	G4 X4
E1 X4 Ø26 H=0	E2 X4 H=0	D10 X10 USØ3,5x13	H6 X1 L-278mm.	D18 X2 M4x9	D50 X4 ESØ6,3x10
G7 X8	Z2 X12 Ø5	ZR1 X2	D6 X4 USØ3,5x30	SZ1 X2	G2 X1
G8 X2 Ø20	ST12 X4	UP10 X4 UPØ4x40	L1 X1	KR1 X1	

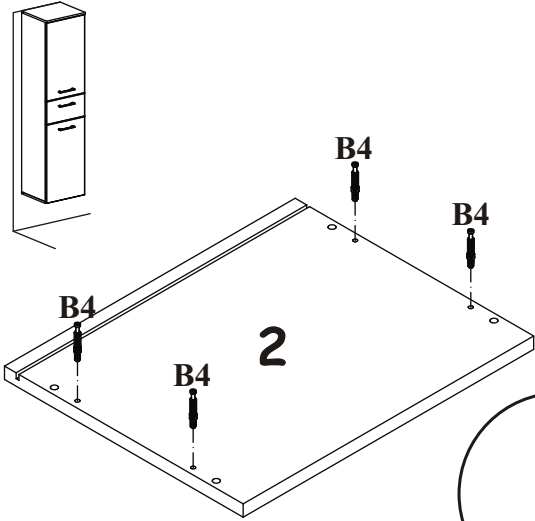




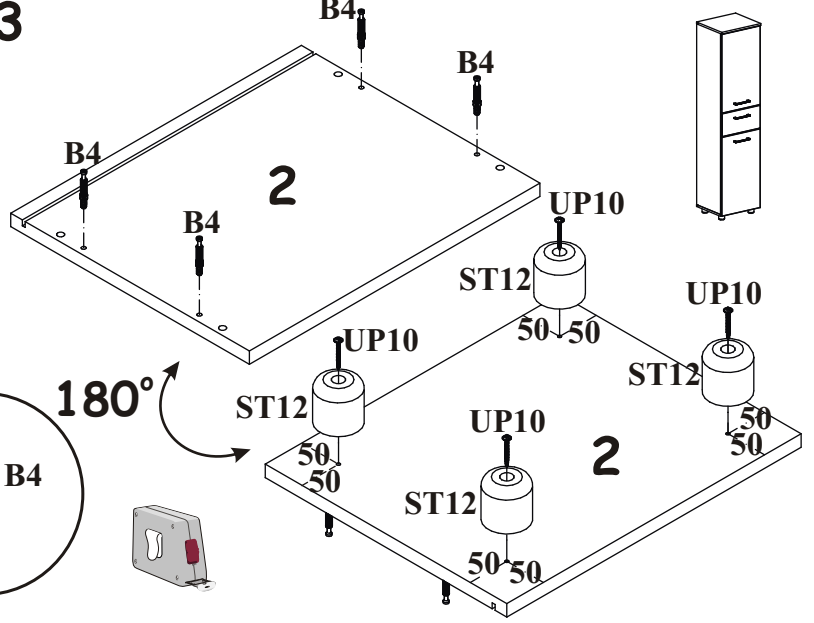
2



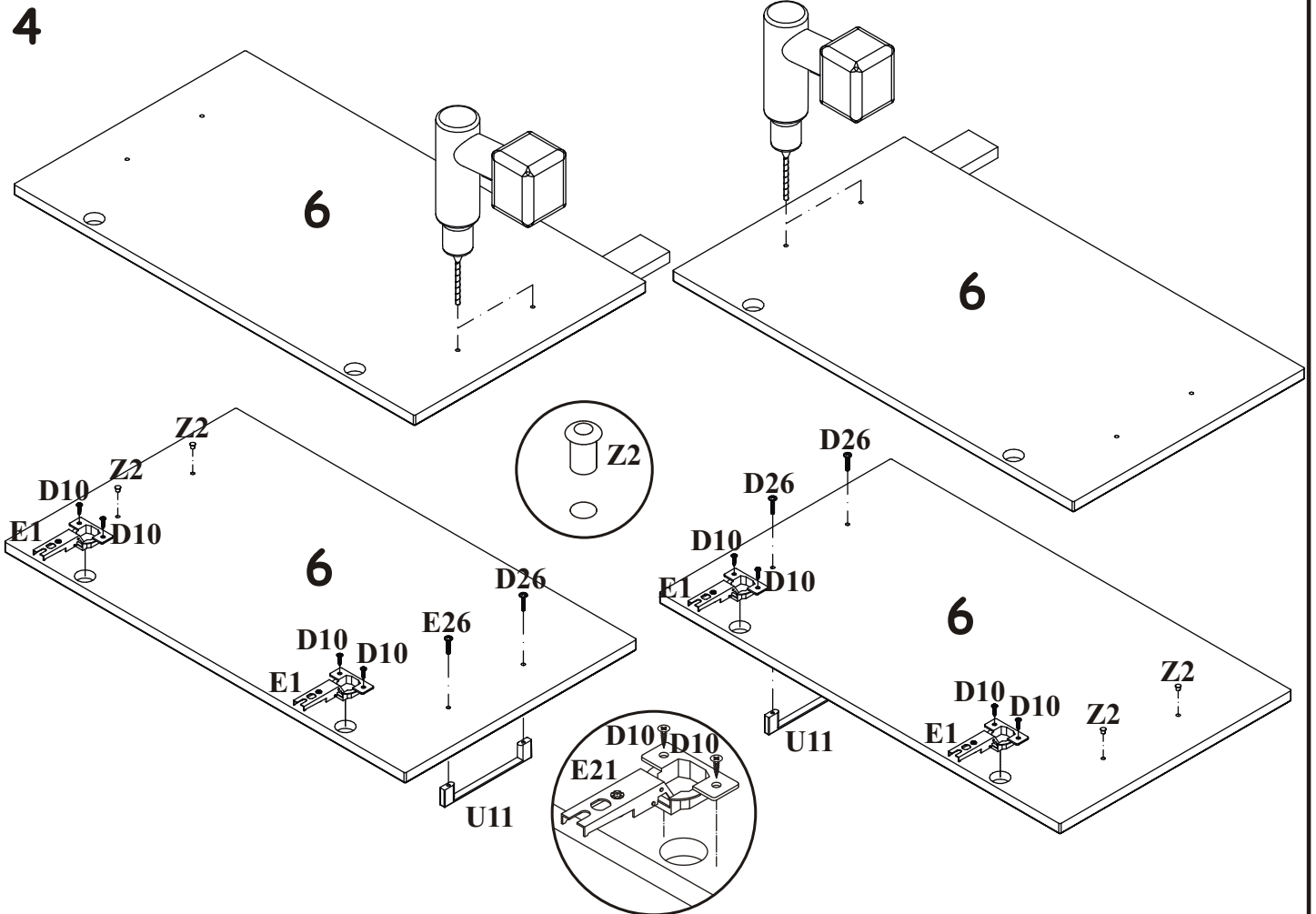
3

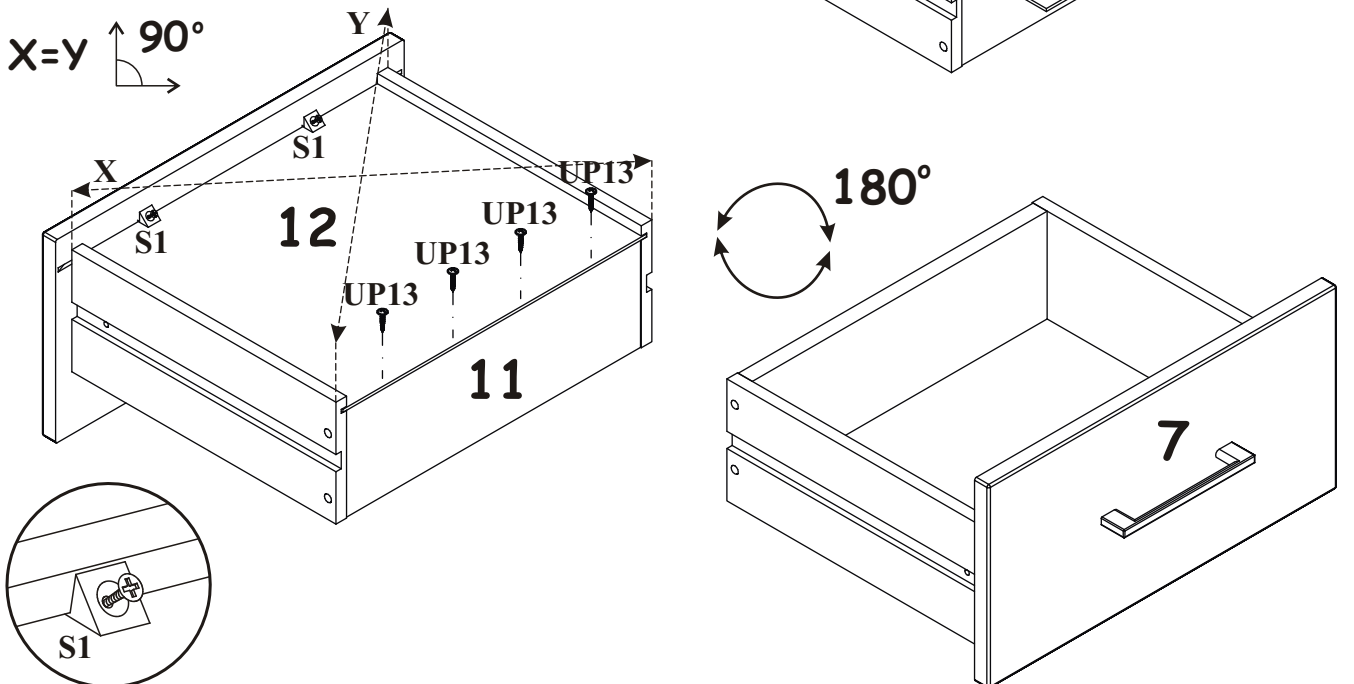
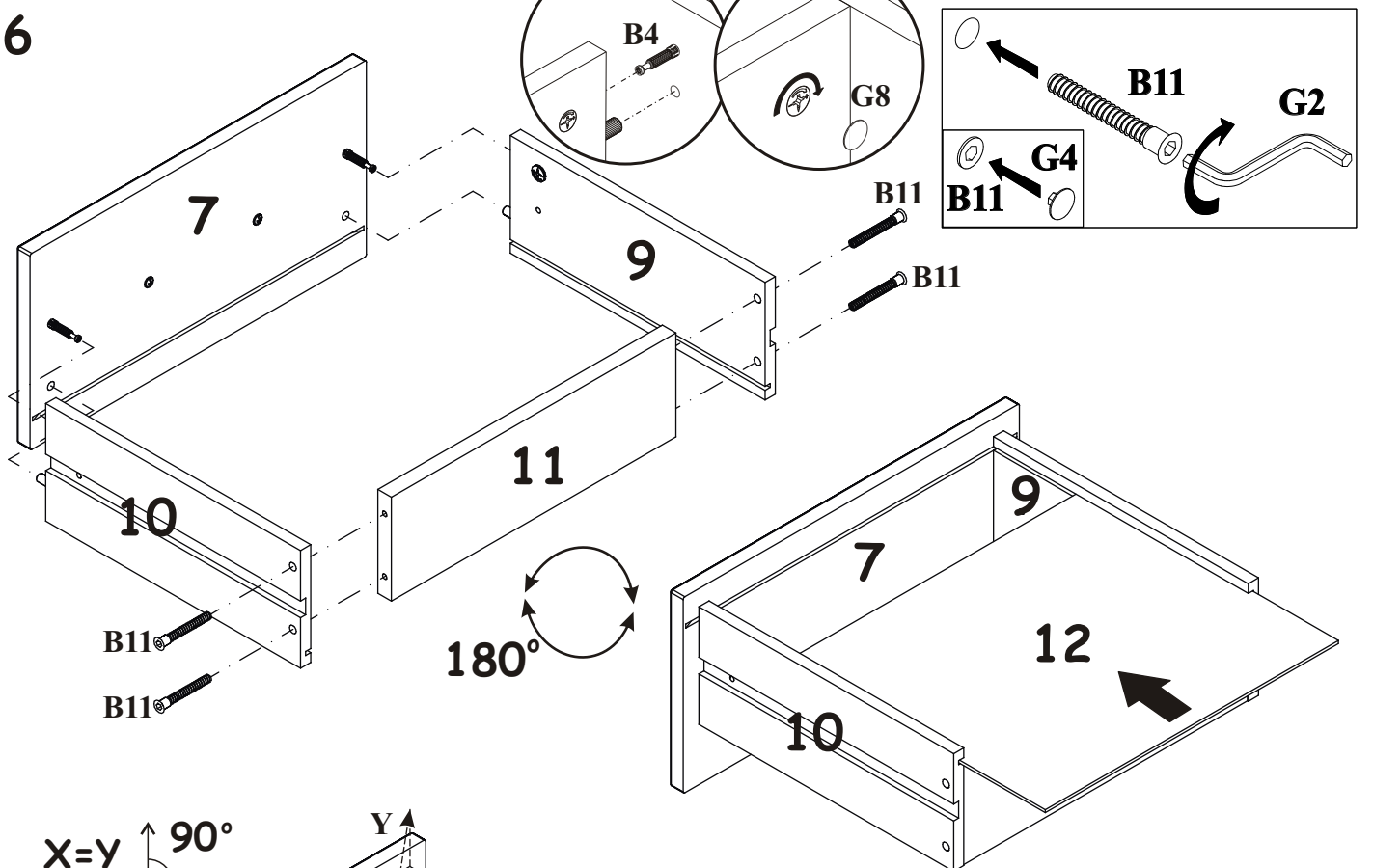
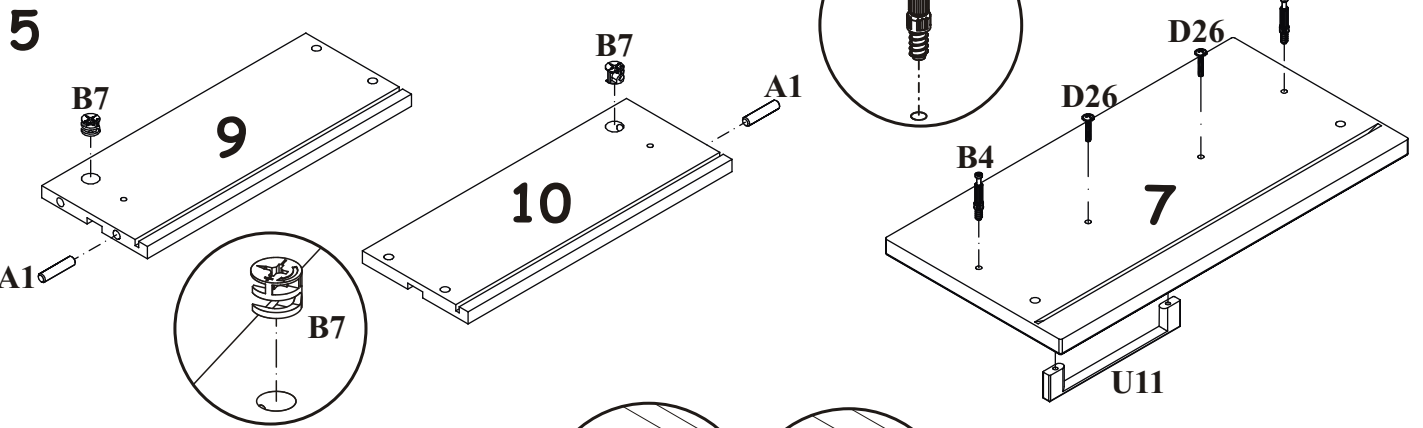


3

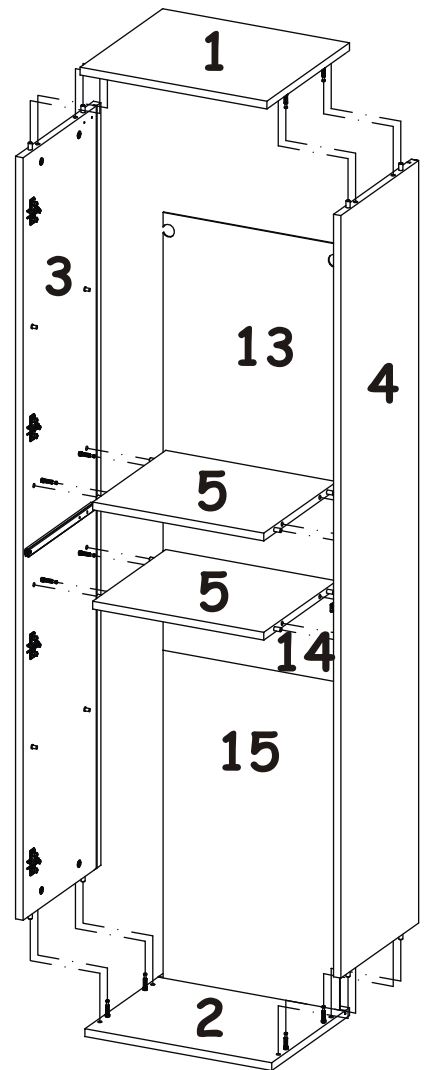
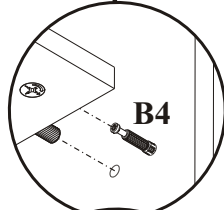
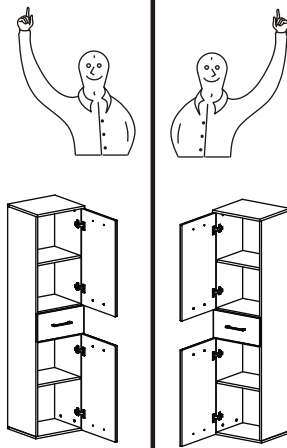
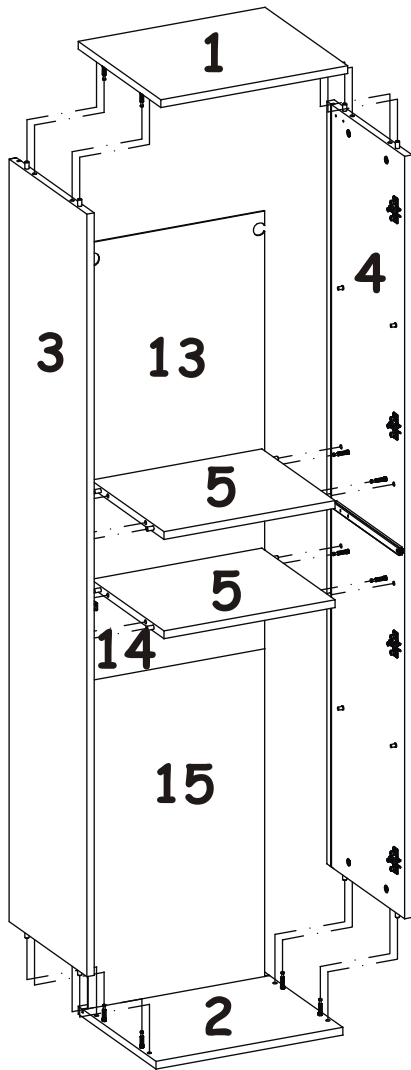


4



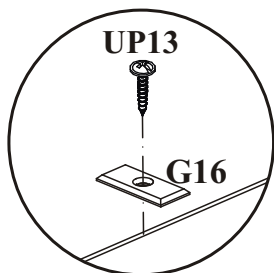
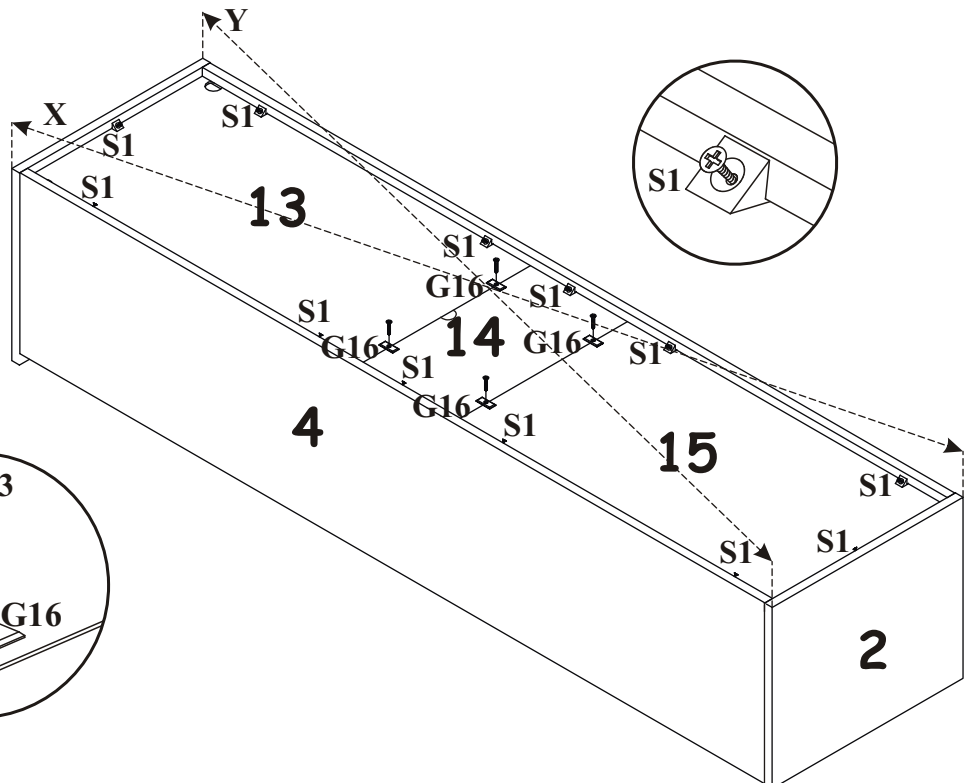


7

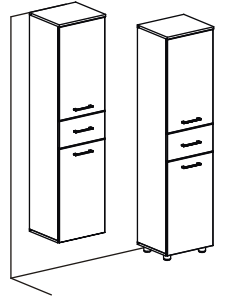
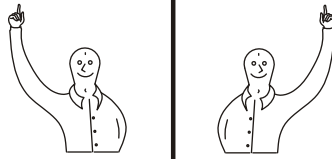
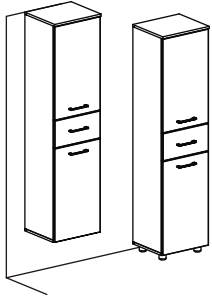


8

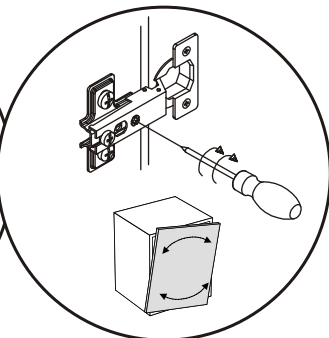
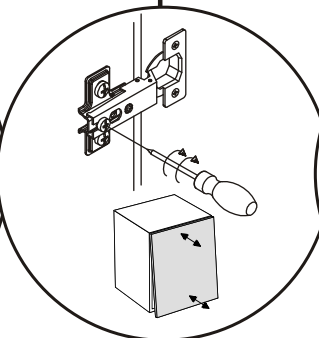
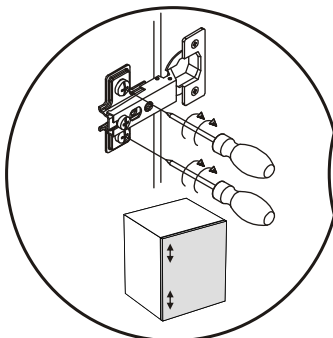
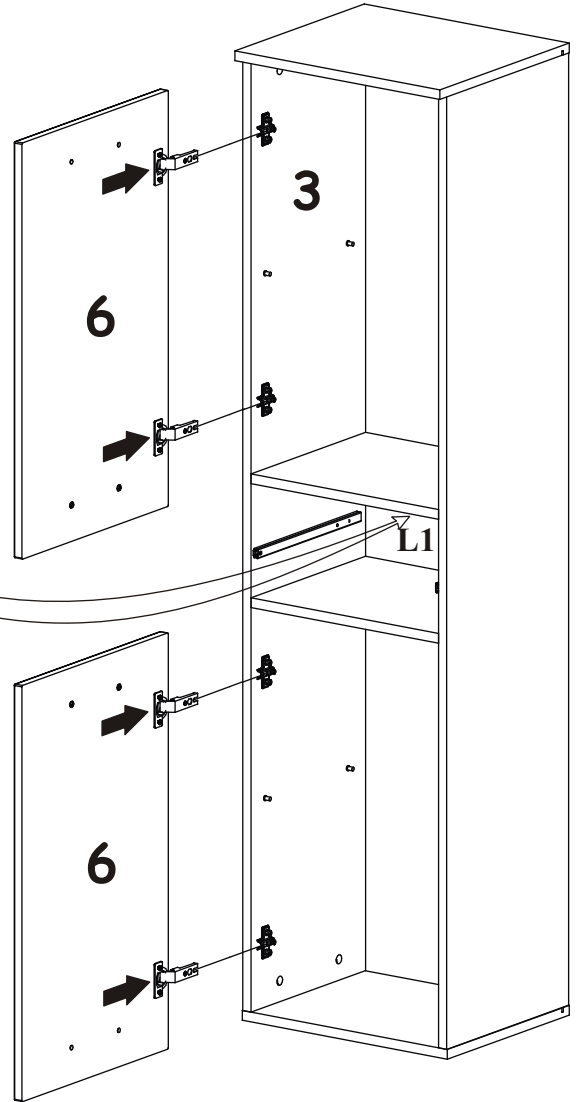
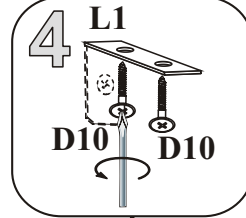
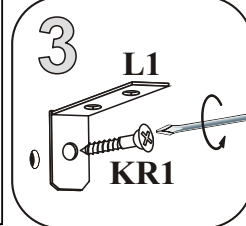
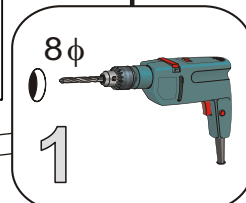
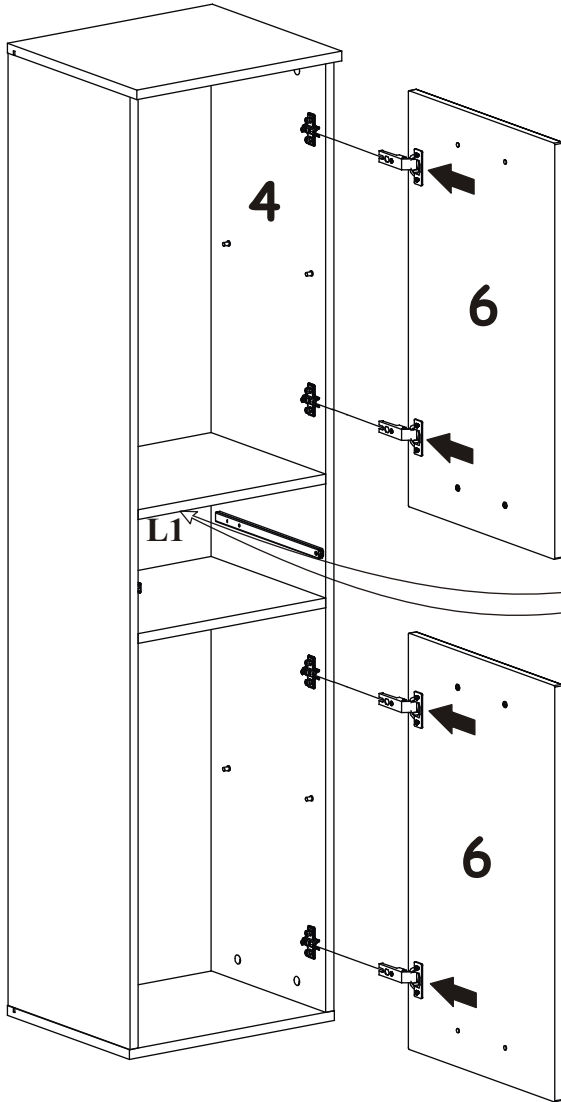
X=y 90°



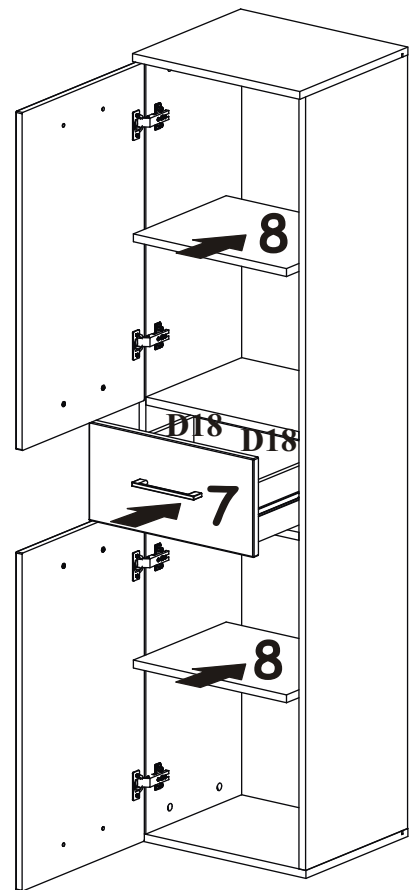
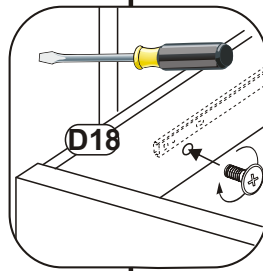
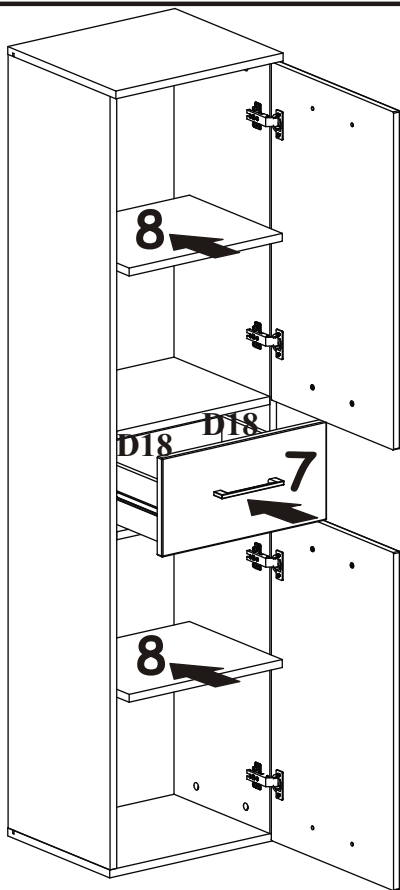
9



9



10



11

