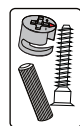
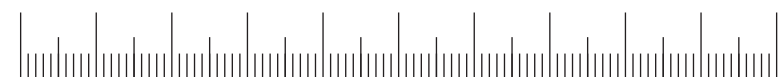
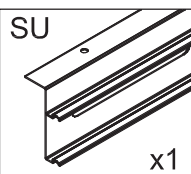
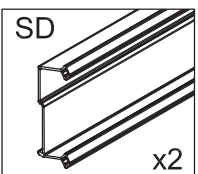
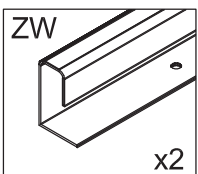
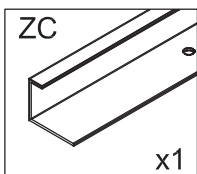
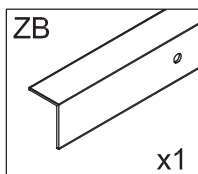
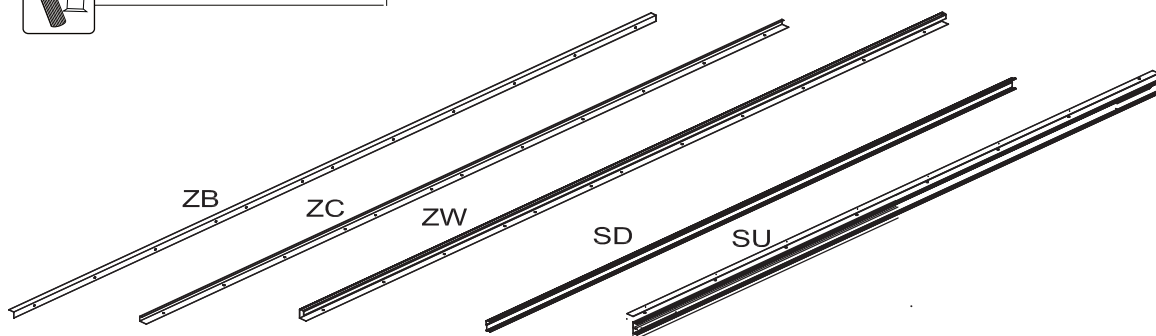


0 10 20 30 40 50 60 70 80 90 100

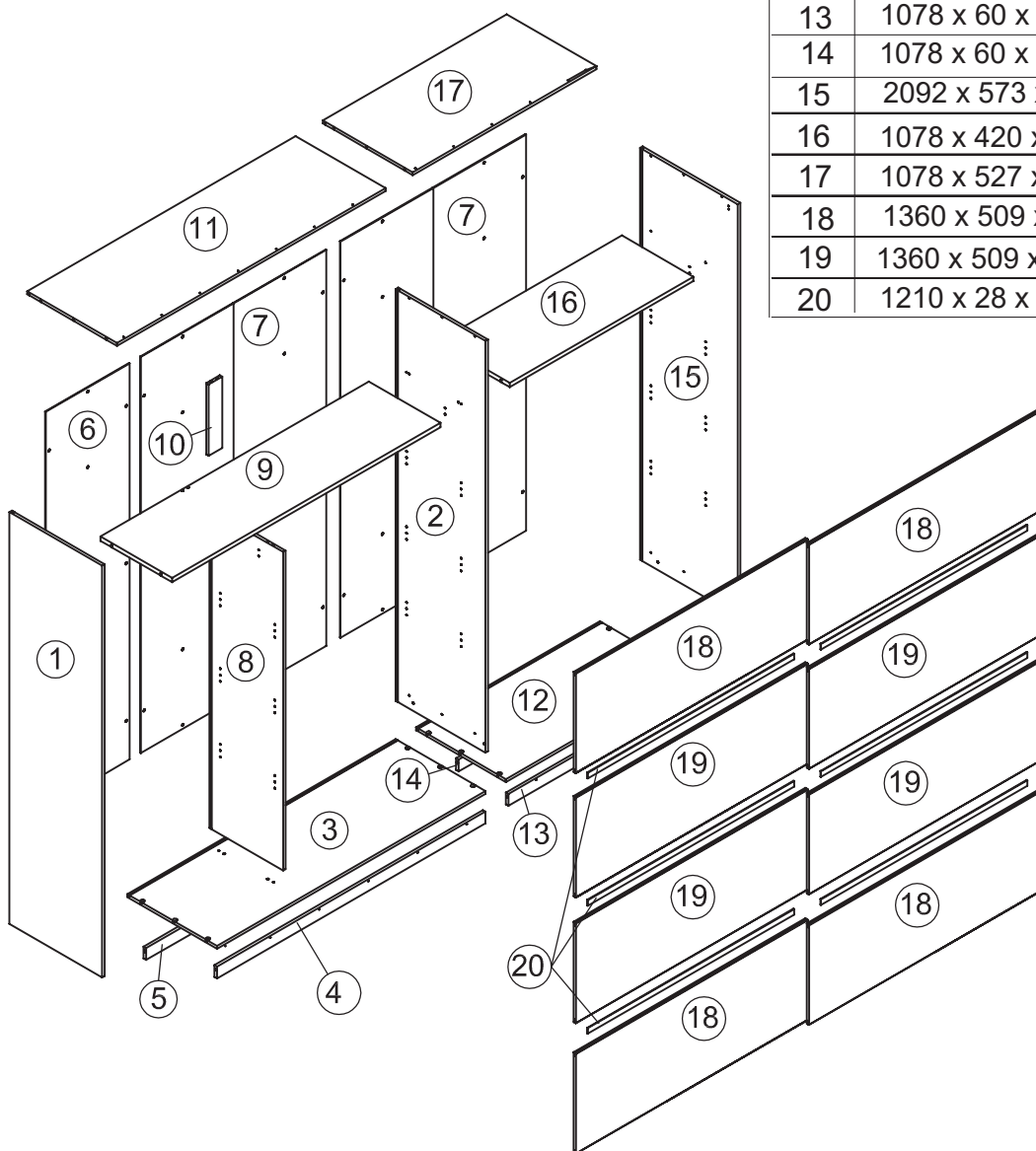


1/3

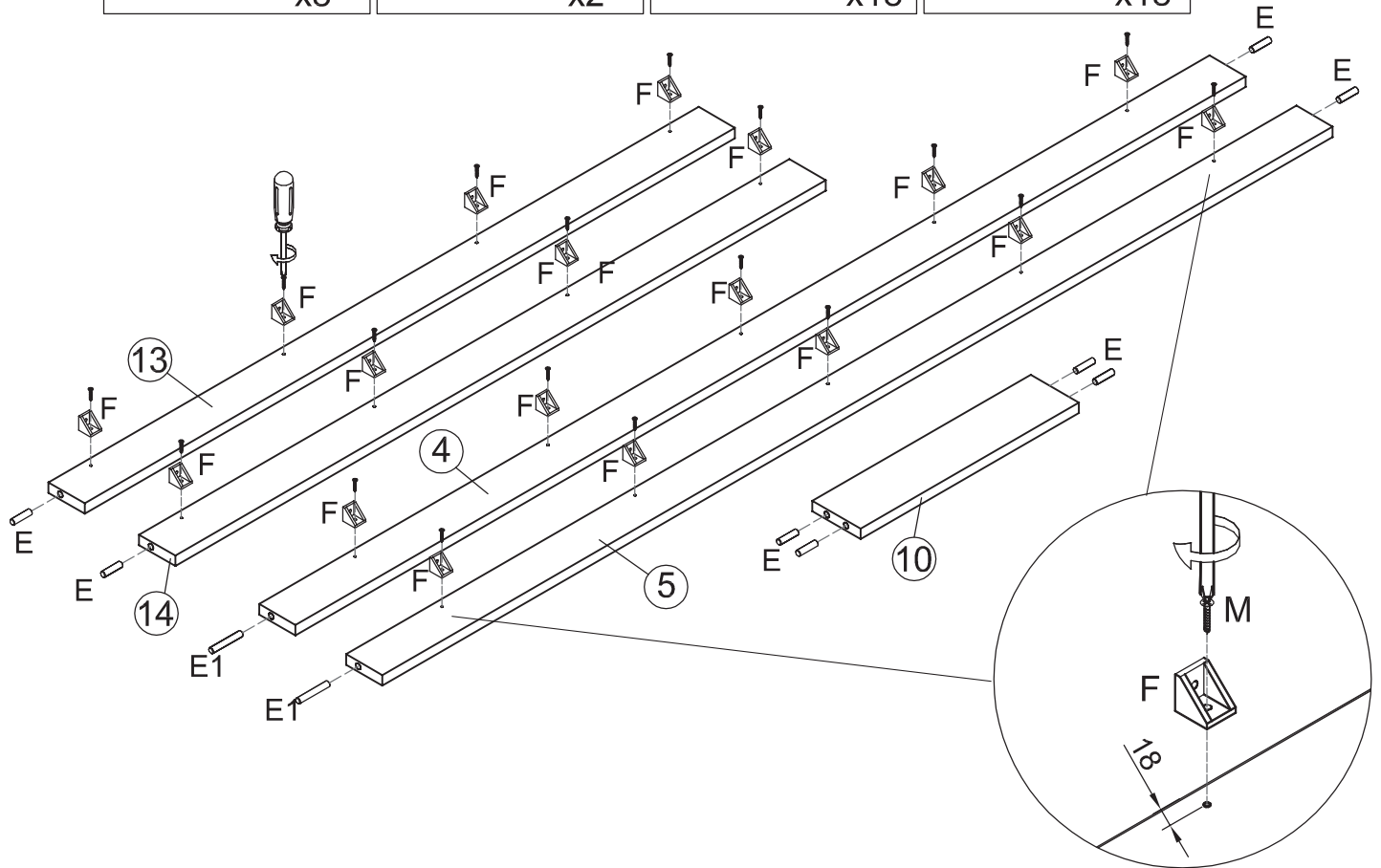
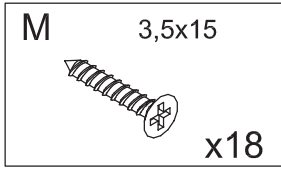
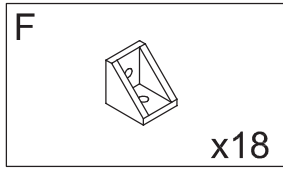
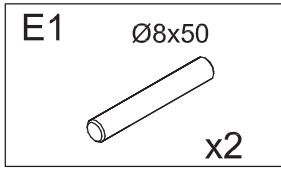
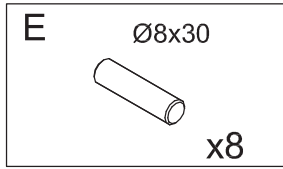
NR	DIM	QTE	COLLI
ZB	L-2036	1	6/6
ZC	L-2036	1	6/6
ZW	L-2036	1	6/6
SD	L-2666	1	6/6
SU	L-2666	1	6/6



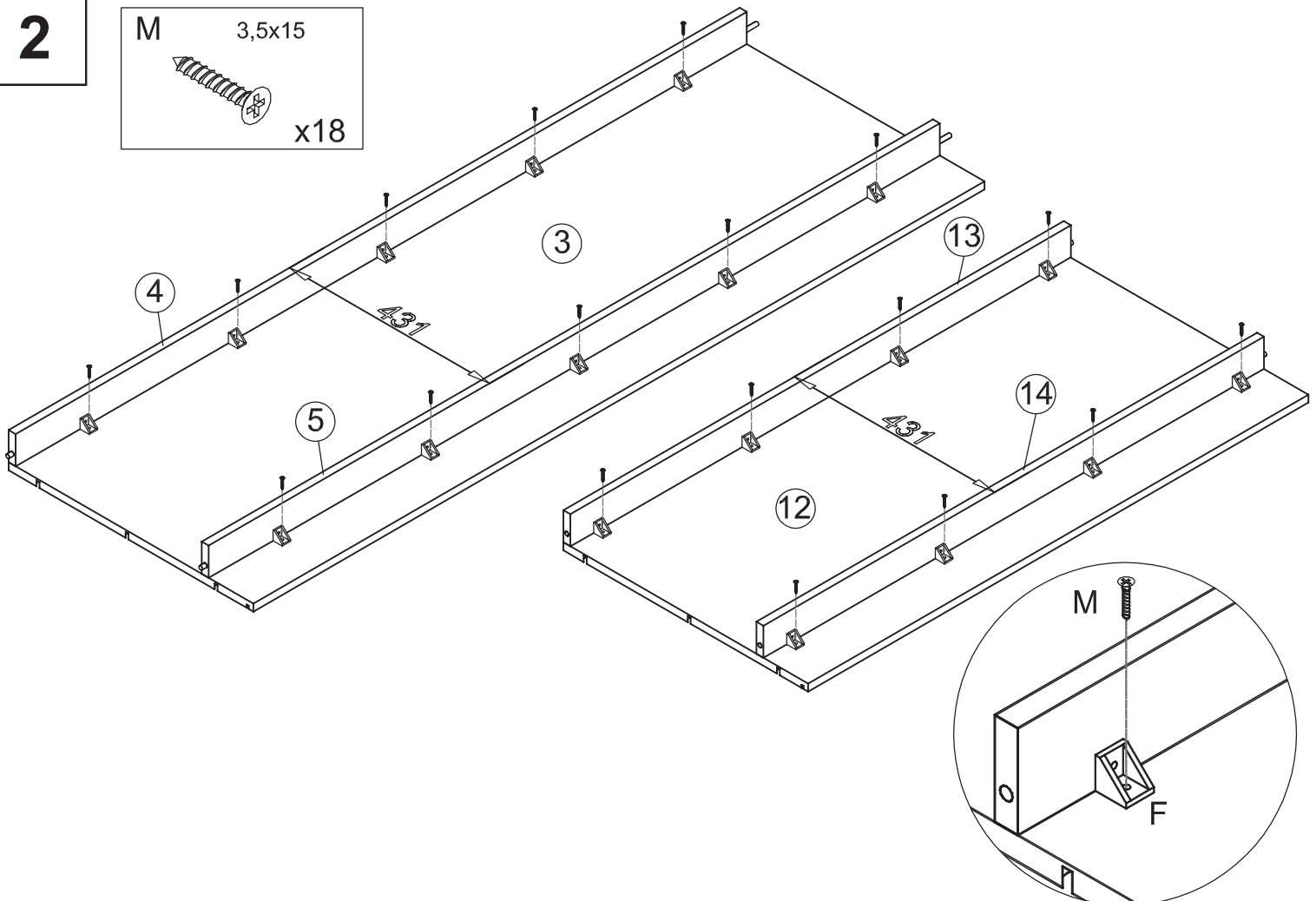
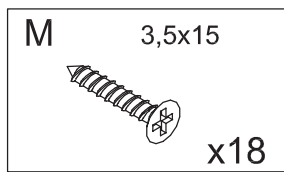
NR	DIM	QTE	COLLI
1	2092 x 544 x 15	1	5/6
2	2092 x 527 x 15	1	4/6
3	1575 x 527 x 15	1	4/6
4	1575 x 60 x 15	1	1/6
5	1575 x 60 x 15	1	1/6
6	2012 x 492 x 3	1	4/6
7	2012 x 544 x 3	4	5/6
8	1618 x 419 x 15	1	1/6
9	1575 x 420 x 22	1	1/6
10	362 x 80 x 15	1	1/6
11	1575 x 527 x 15	1	4/6
12	1078 x 527 x 15	1	3/6
13	1078 x 60 x 15	1	1/6
14	1078 x 60 x 15	1	1/6
15	2092 x 573 x 15	1	5/6
16	1078 x 420 x 22	1	1/6
17	1078 x 527 x 15	1	2/6
18	1360 x 509 x 15	4	2/6
19	1360 x 509 x 15	4	3/6
20	1210 x 28 x 3	6	1/6

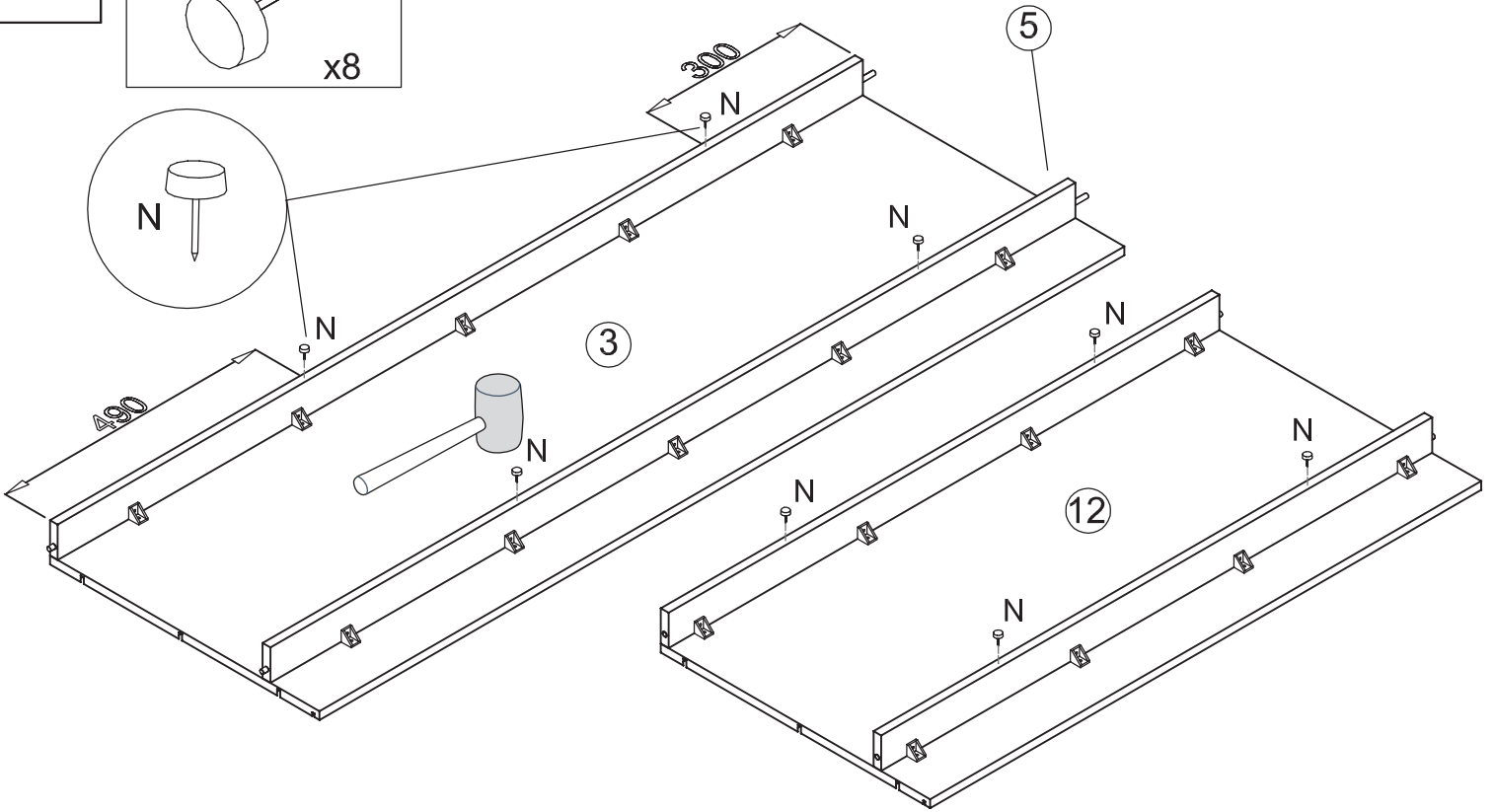
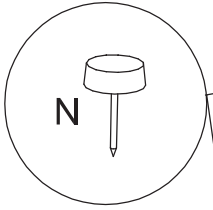
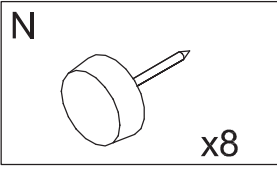
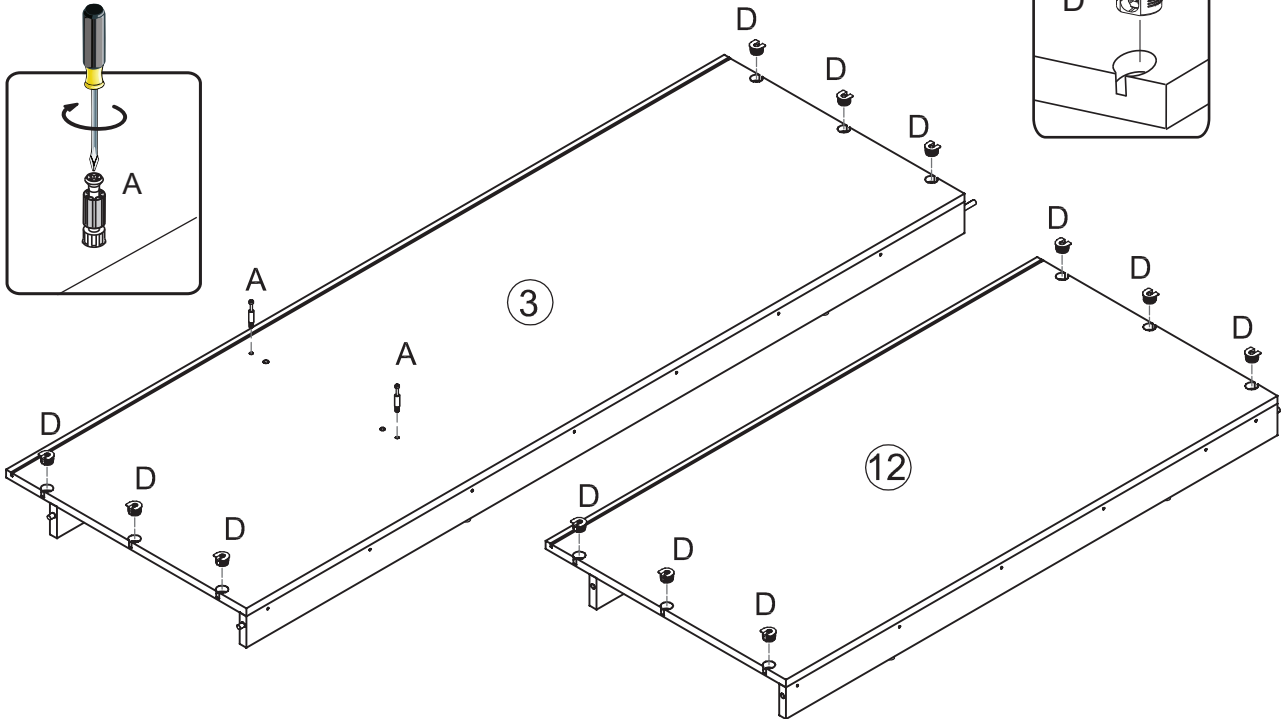
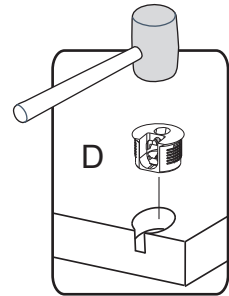
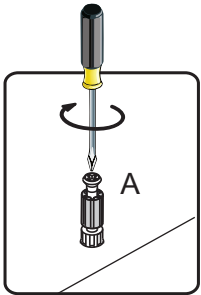
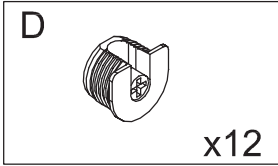
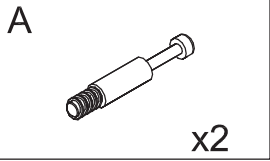


1

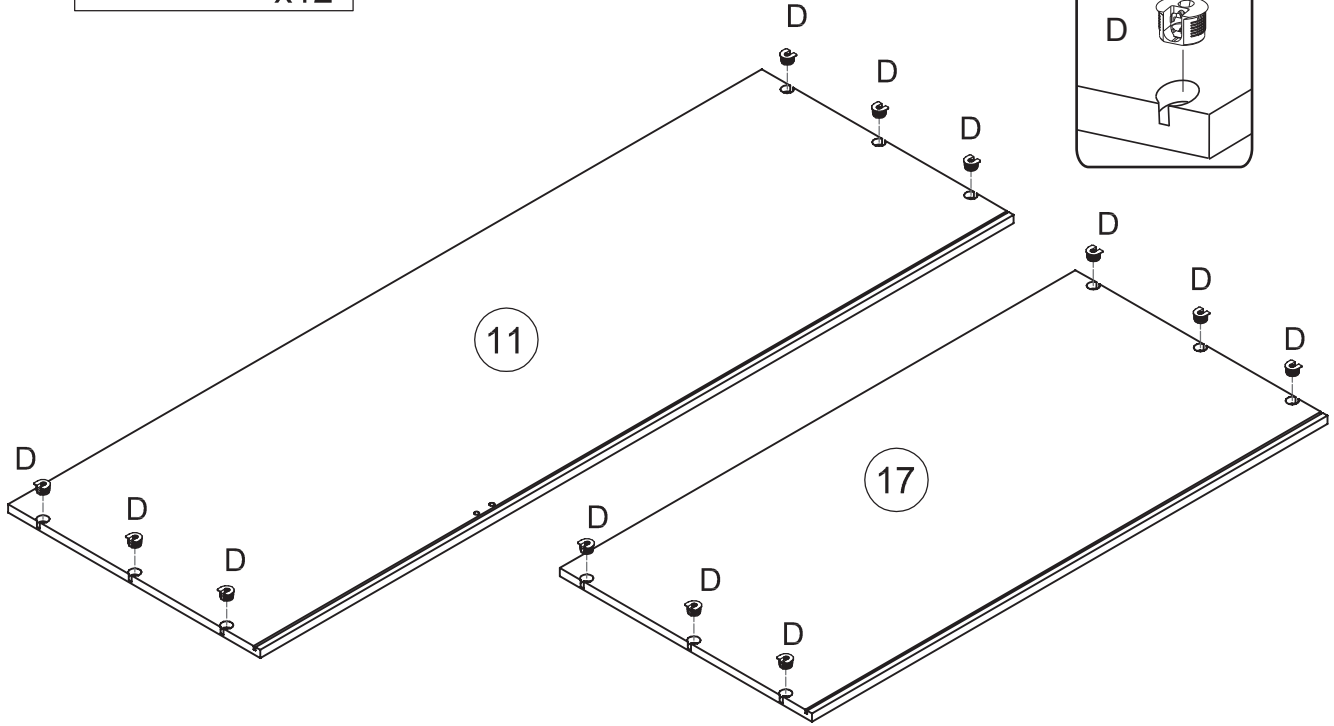
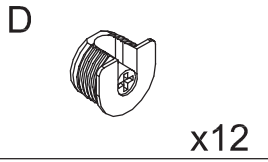


2

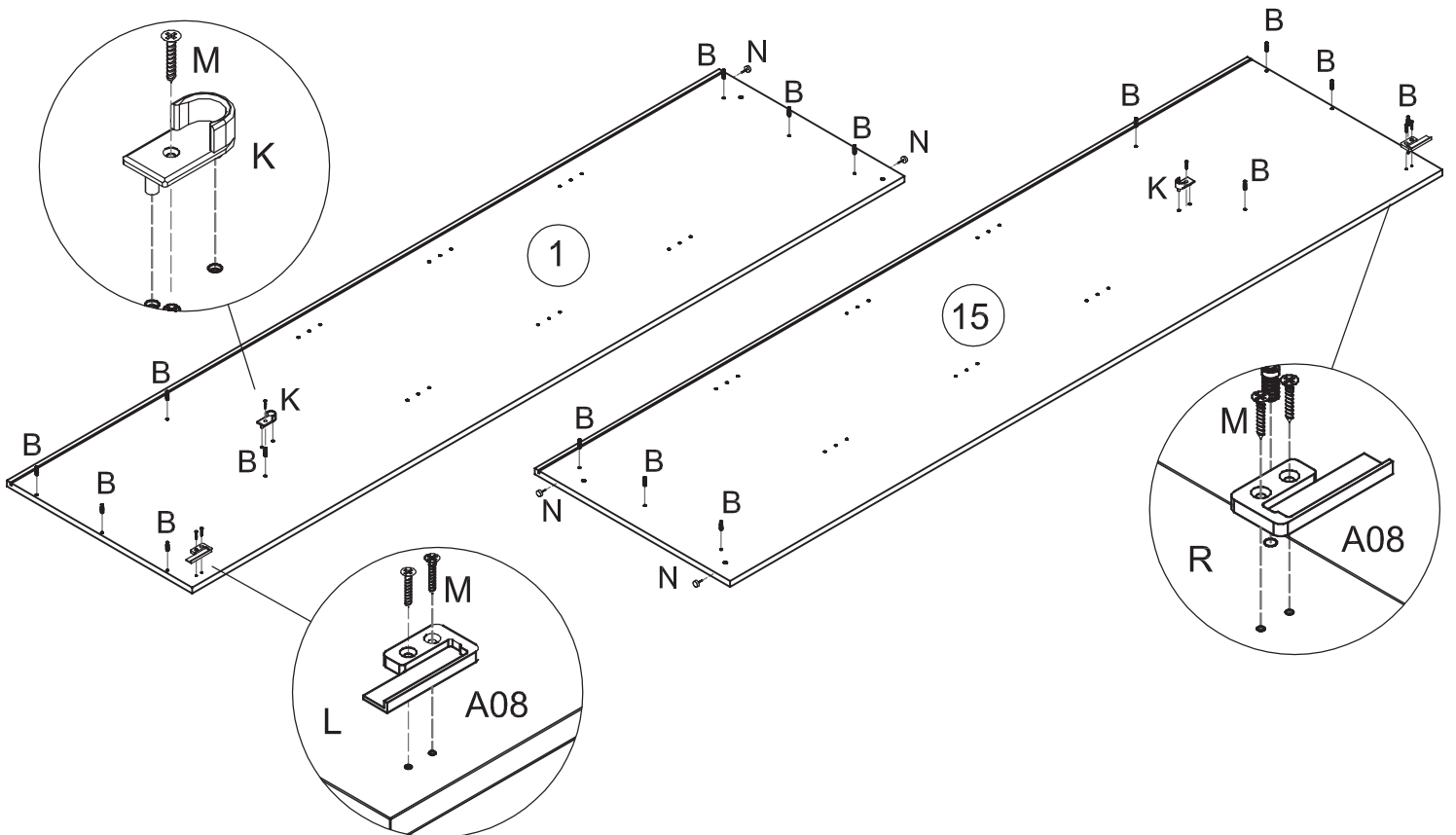
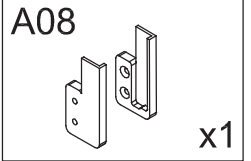
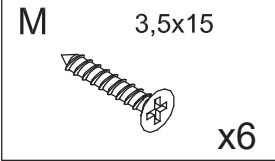
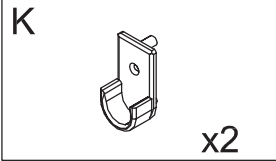
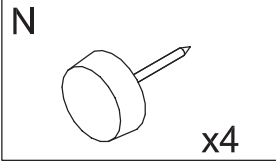
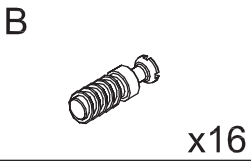


3**4**

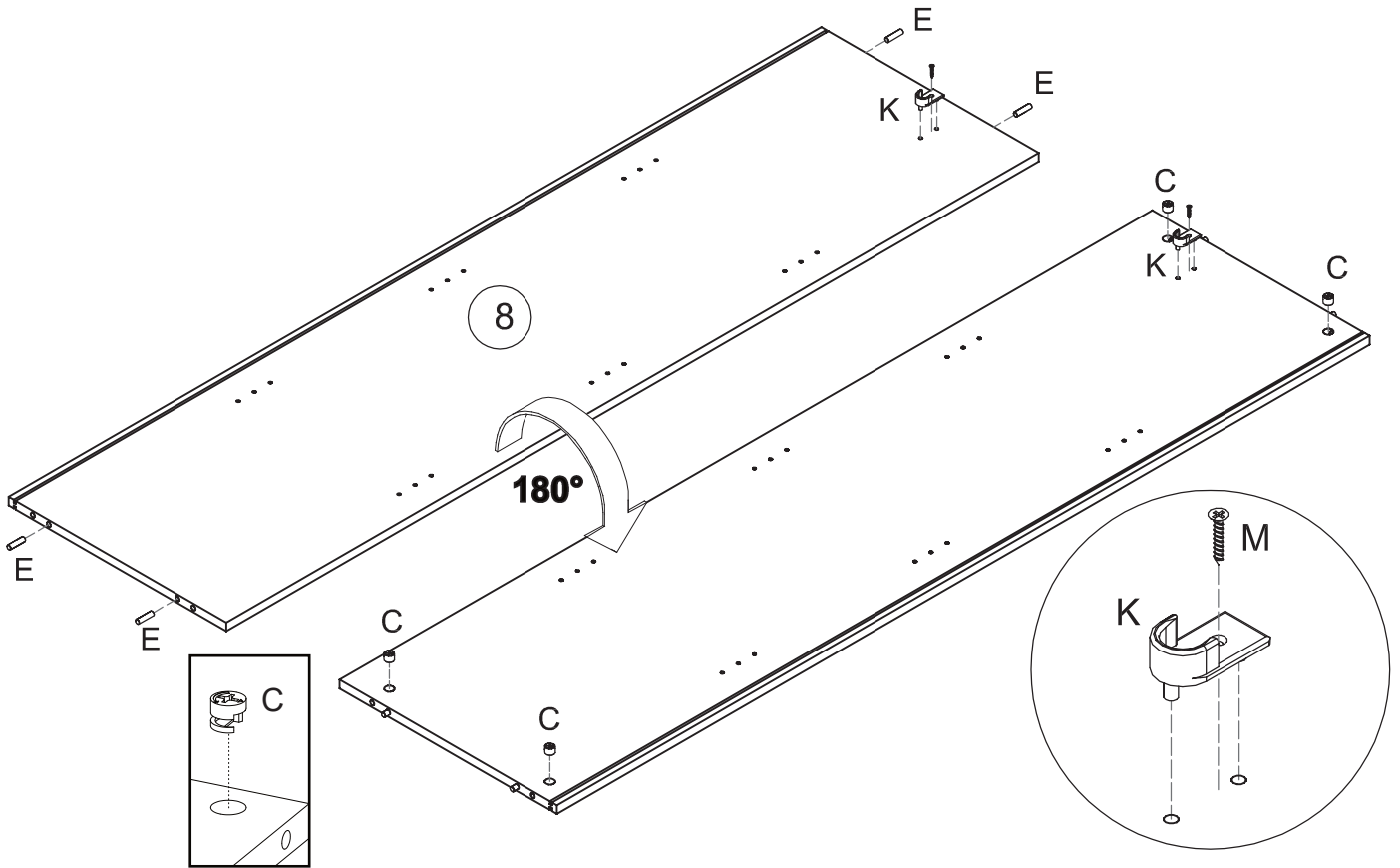
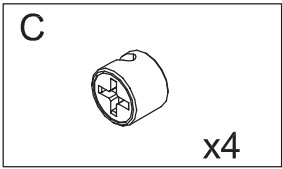
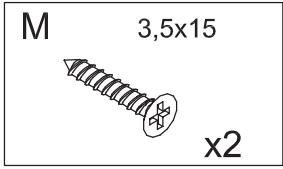
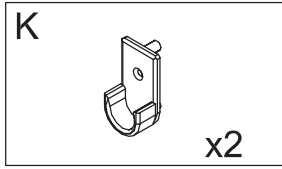
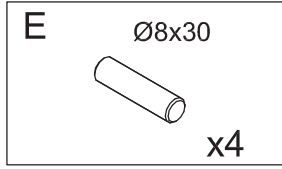
5



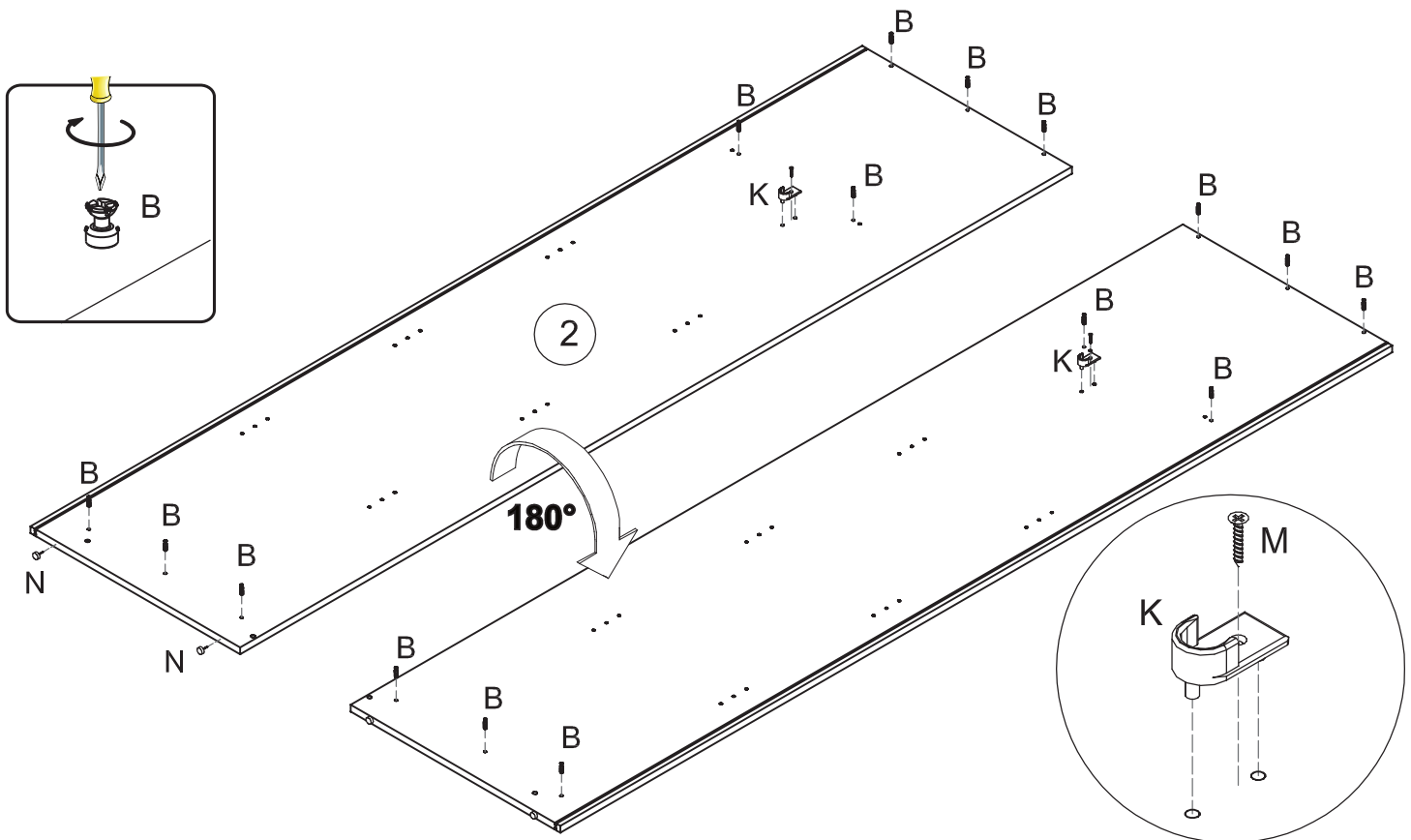
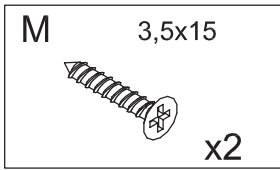
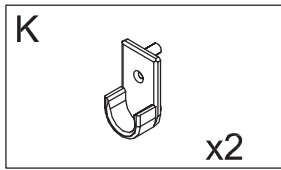
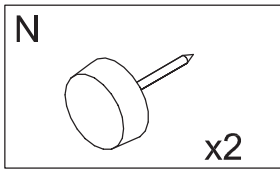
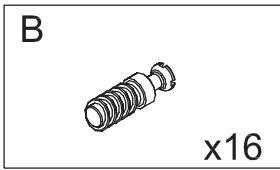
6



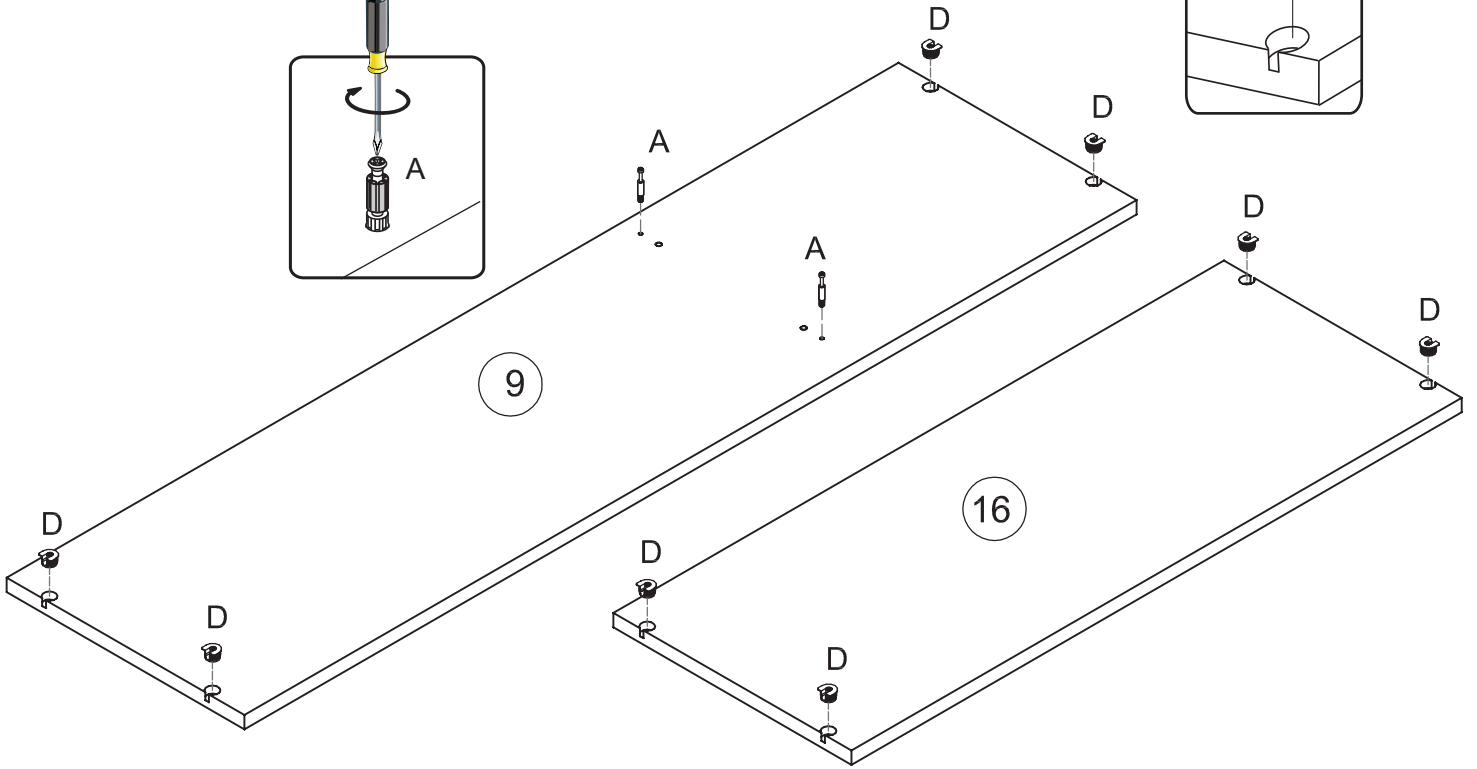
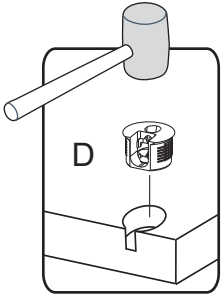
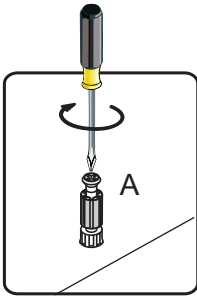
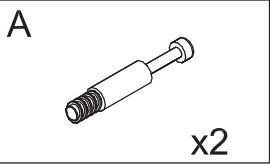
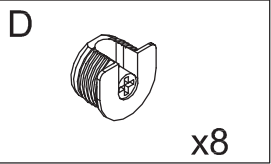
7



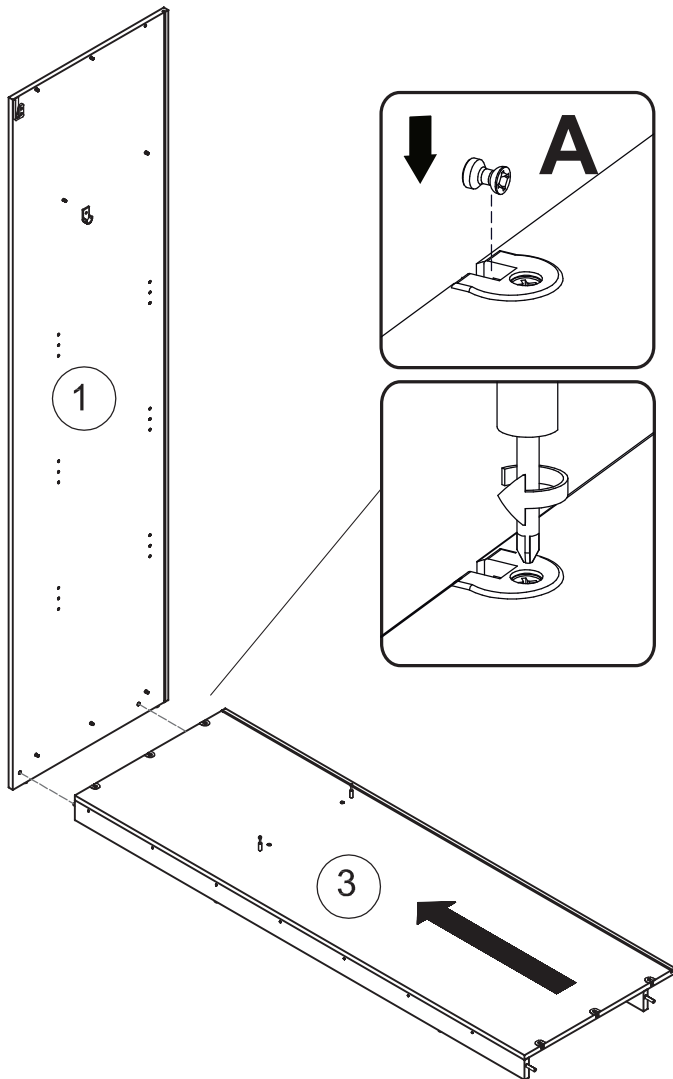
8



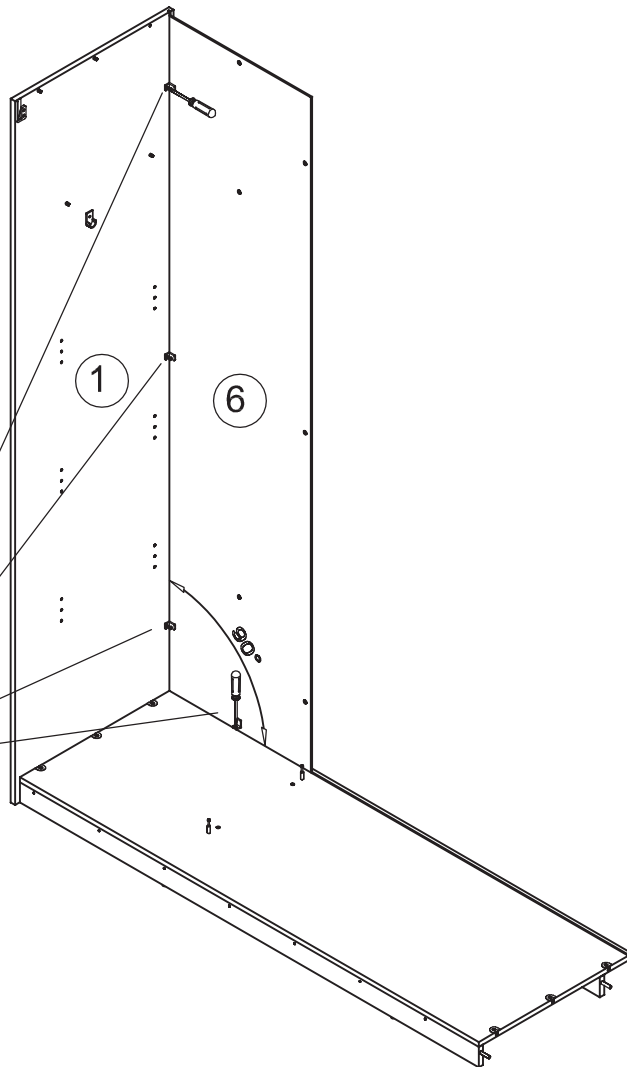
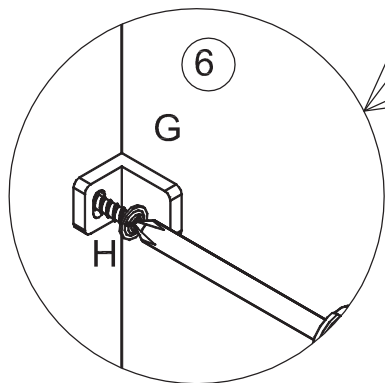
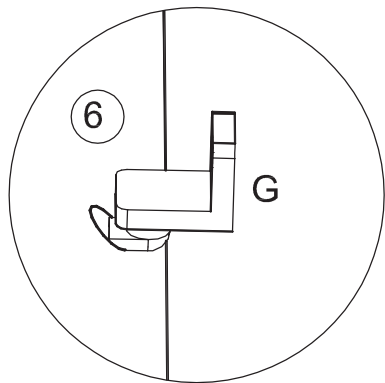
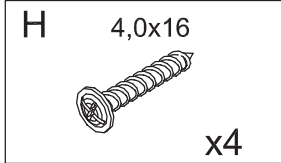
9



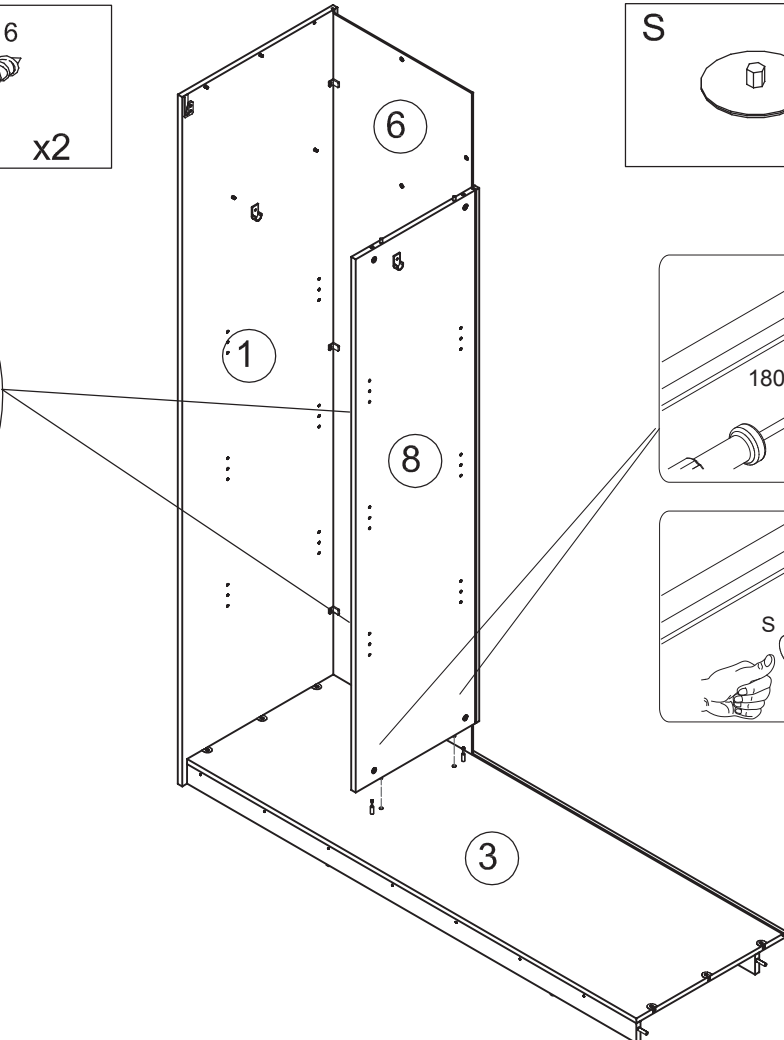
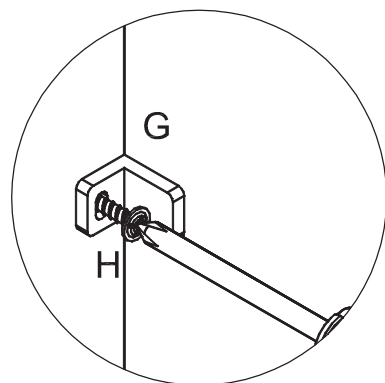
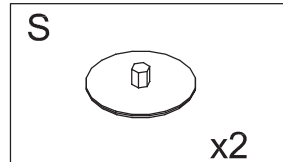
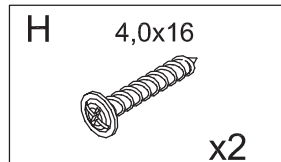
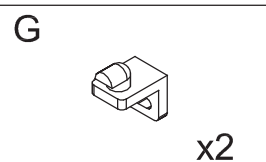
10



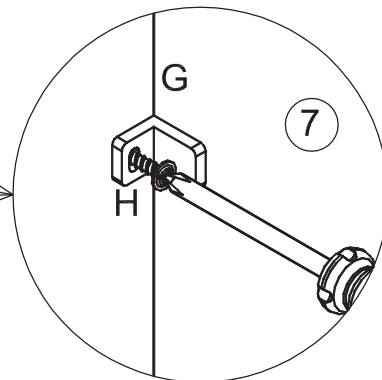
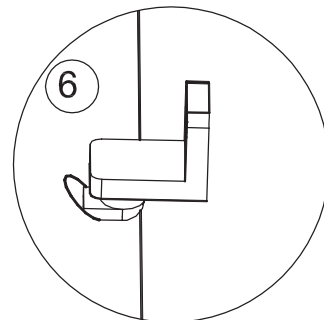
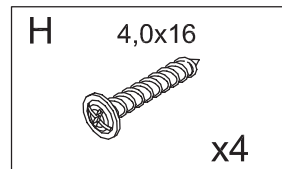
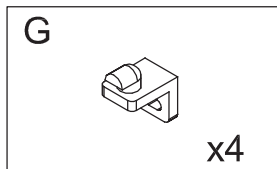
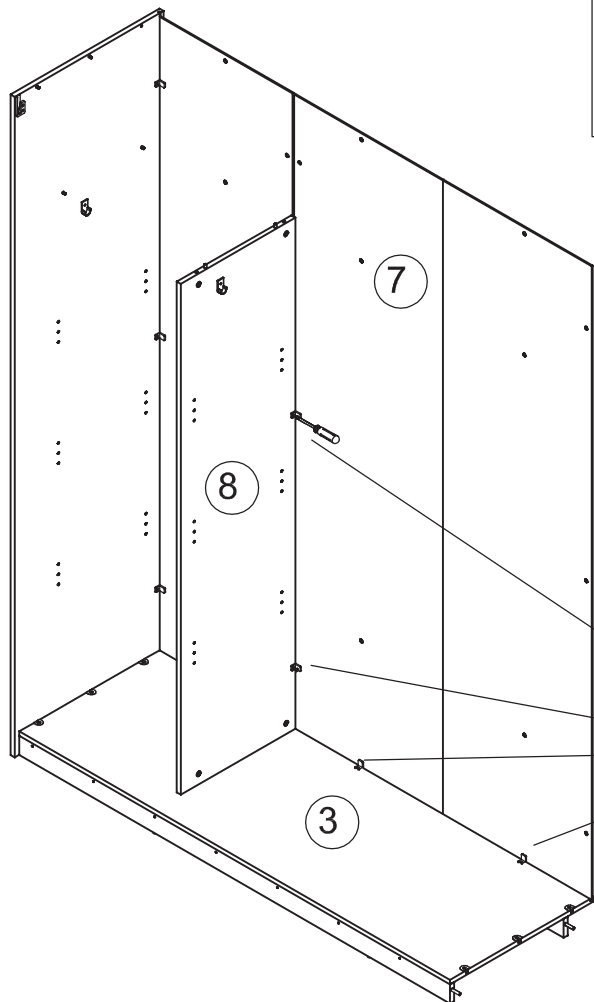
11



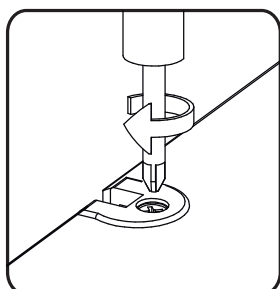
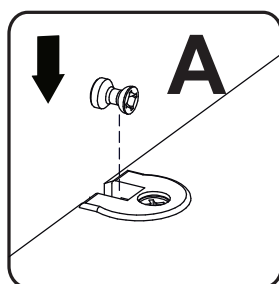
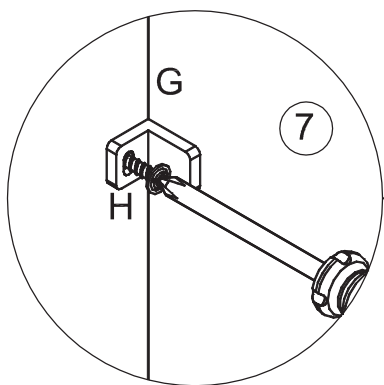
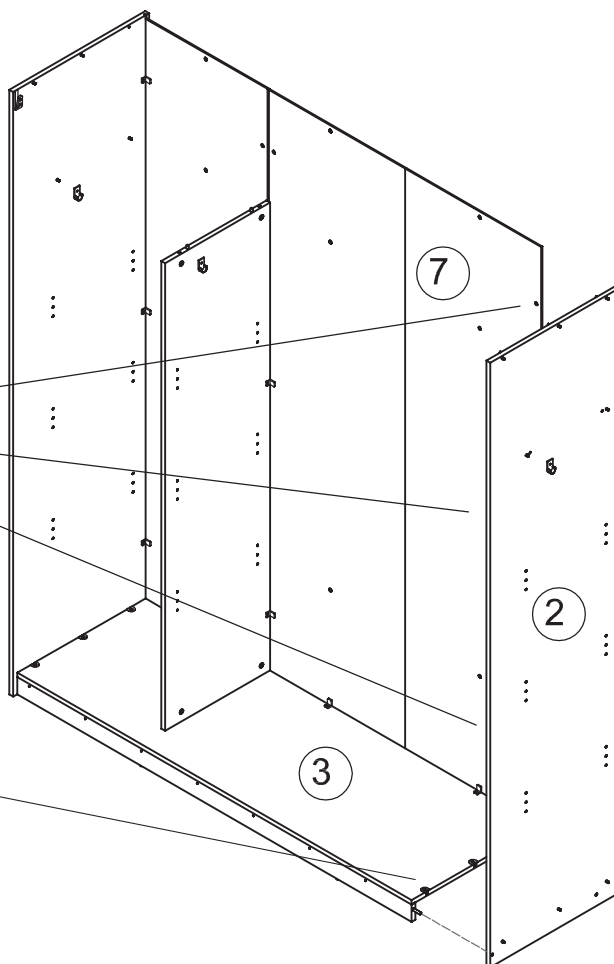
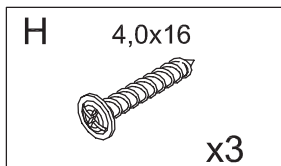
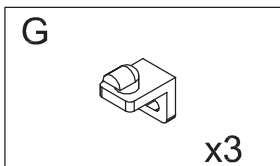
12



13



14



15

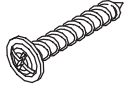
G



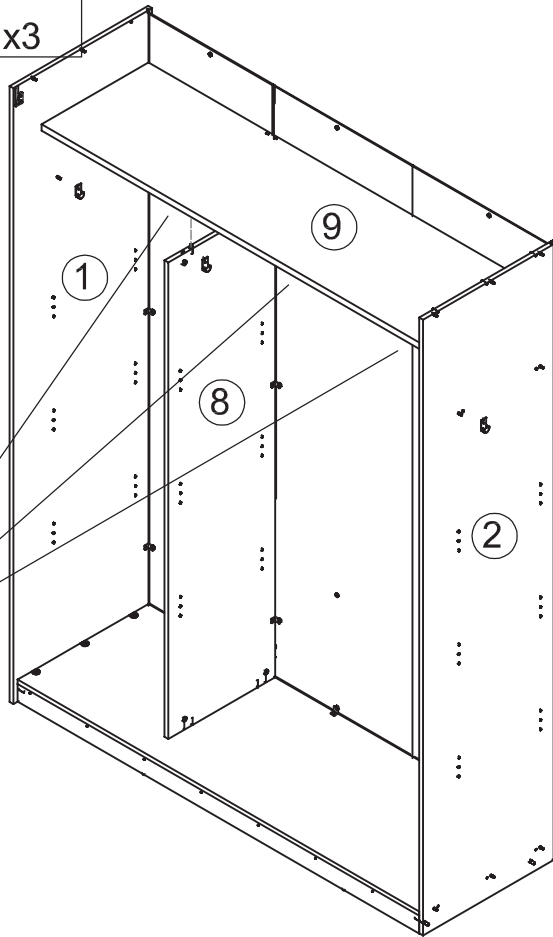
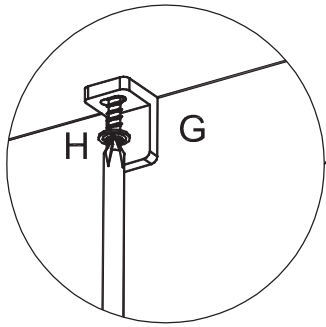
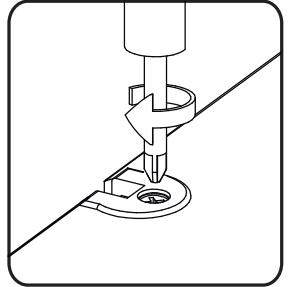
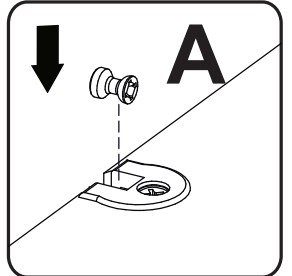
x3

H

3,0x15



x3



16

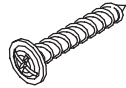
G



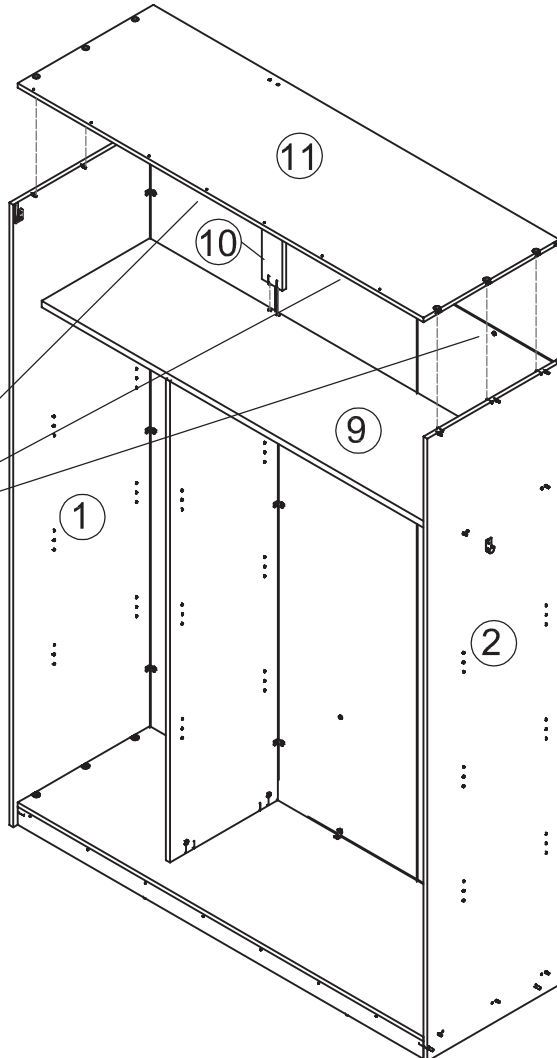
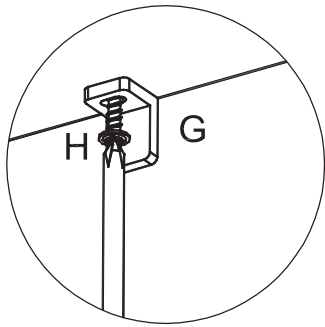
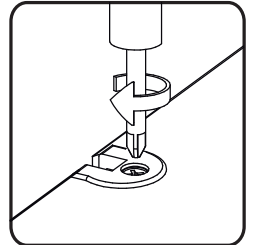
x3

H

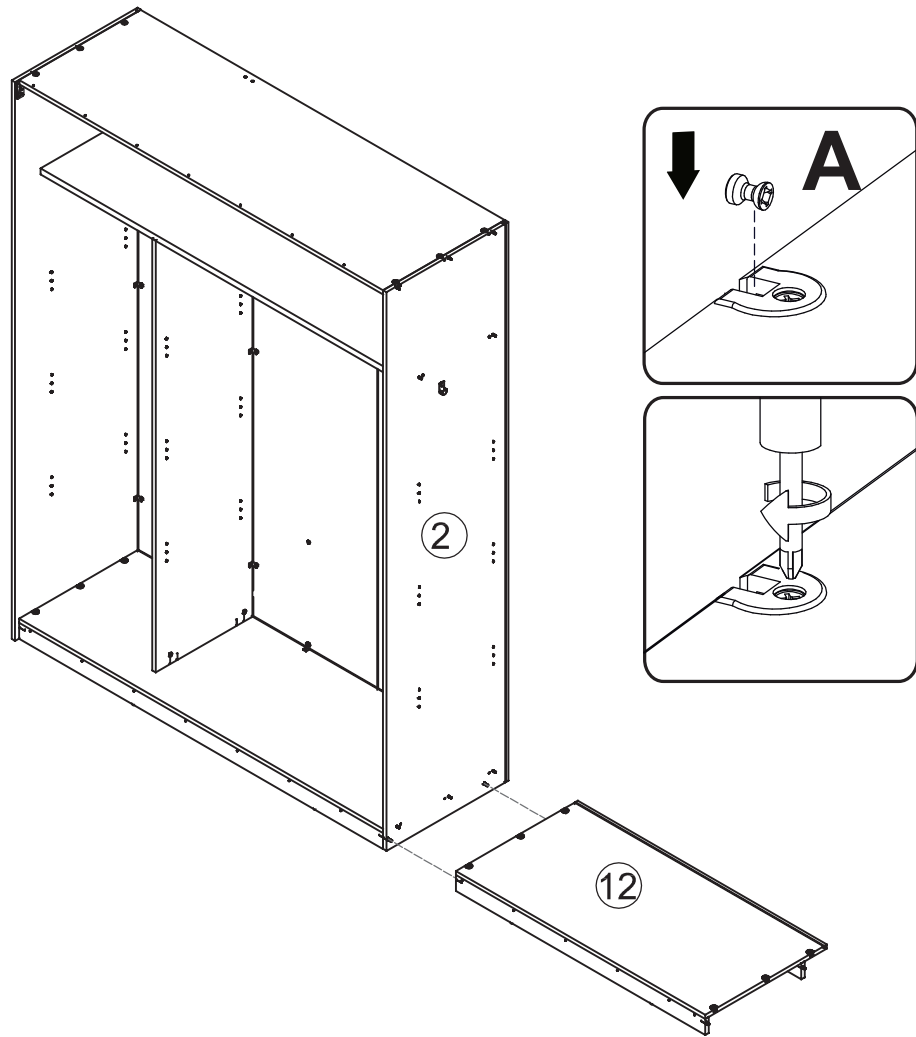
3,0x15



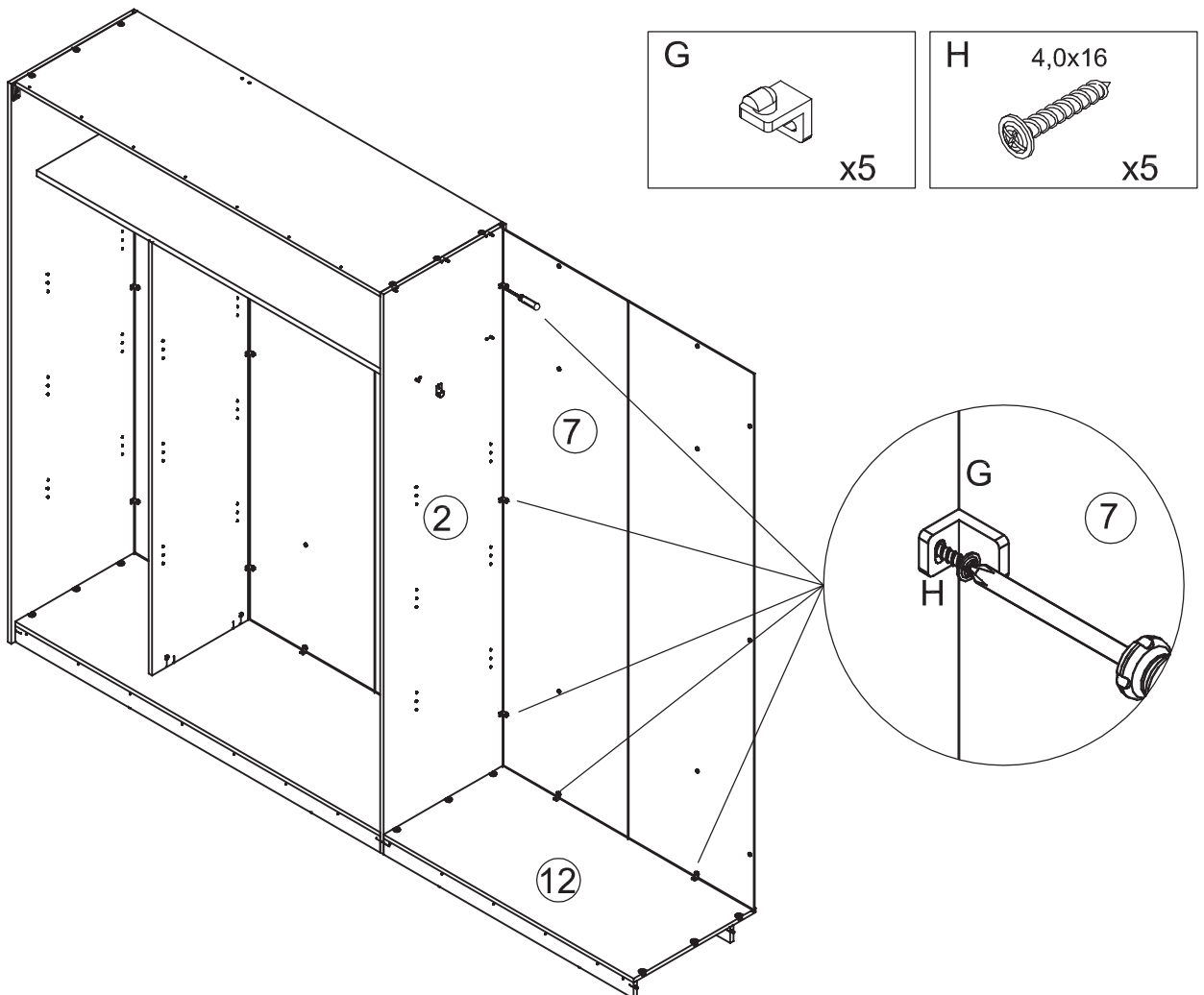
x3



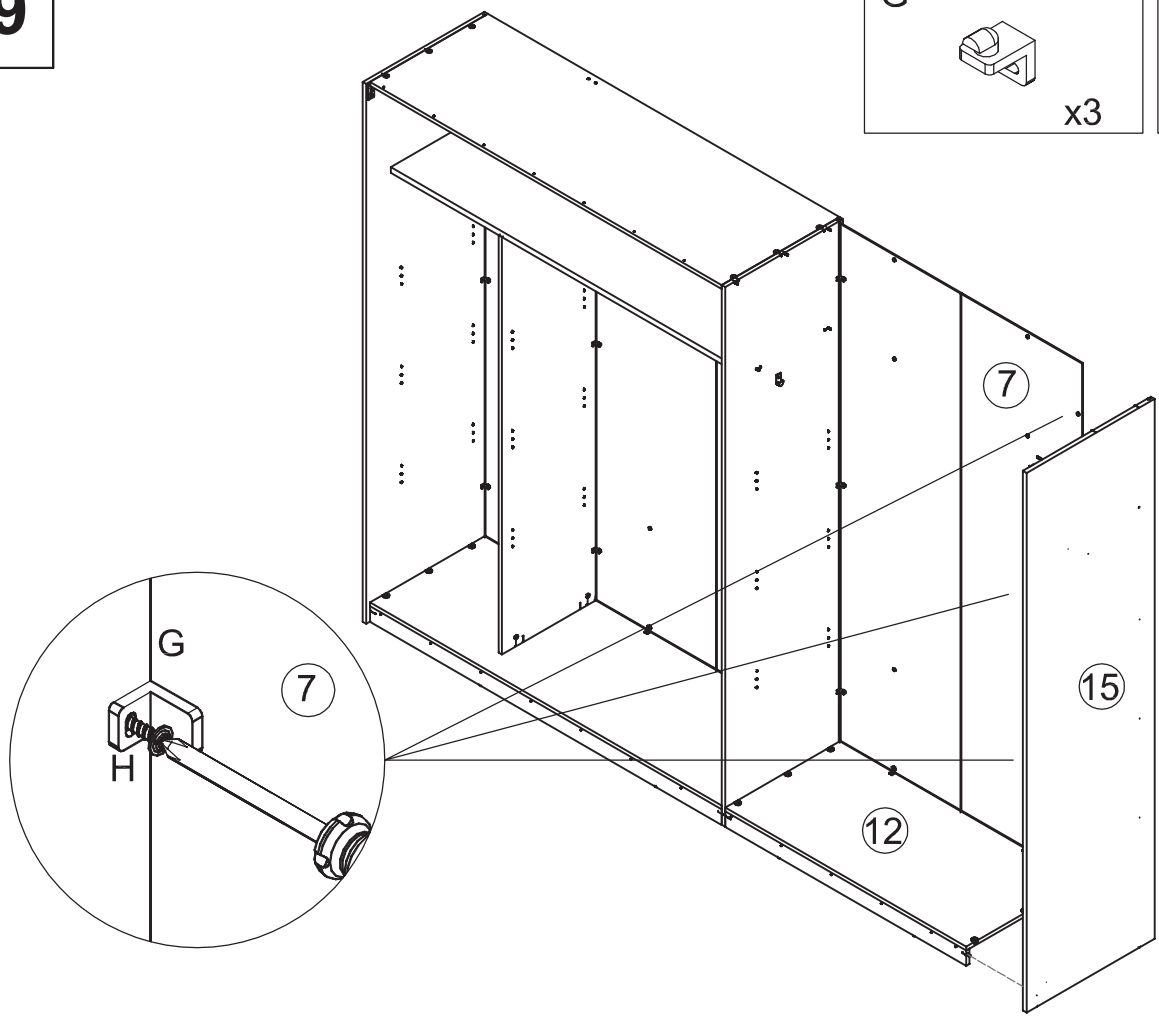
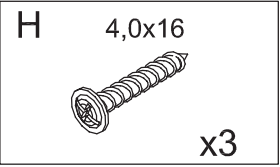
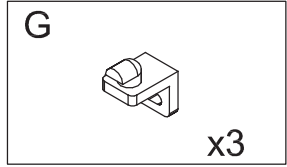
17



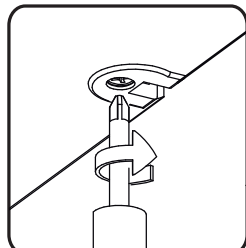
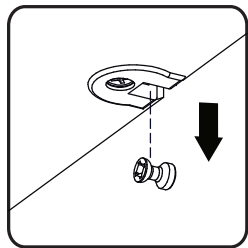
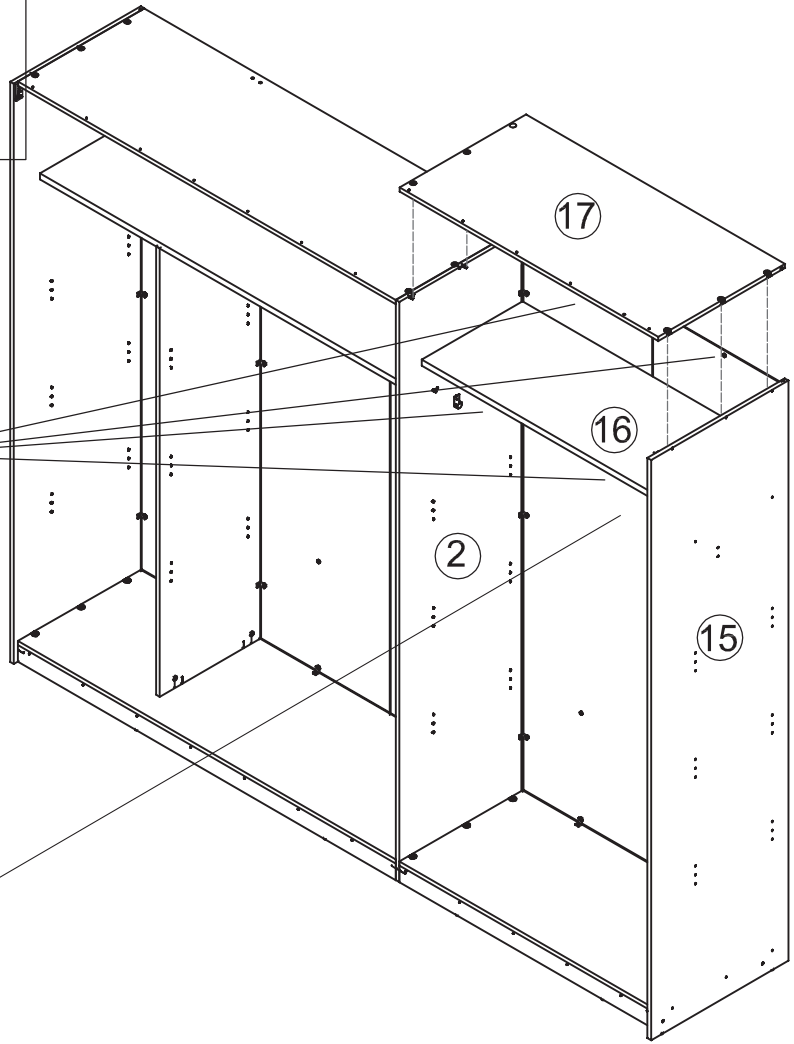
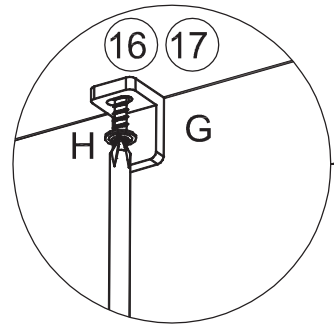
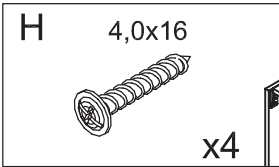
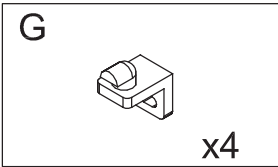
18



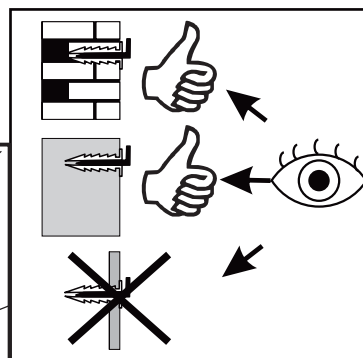
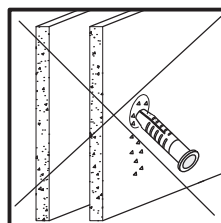
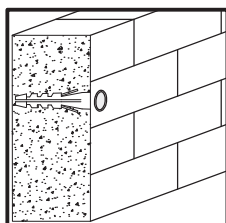
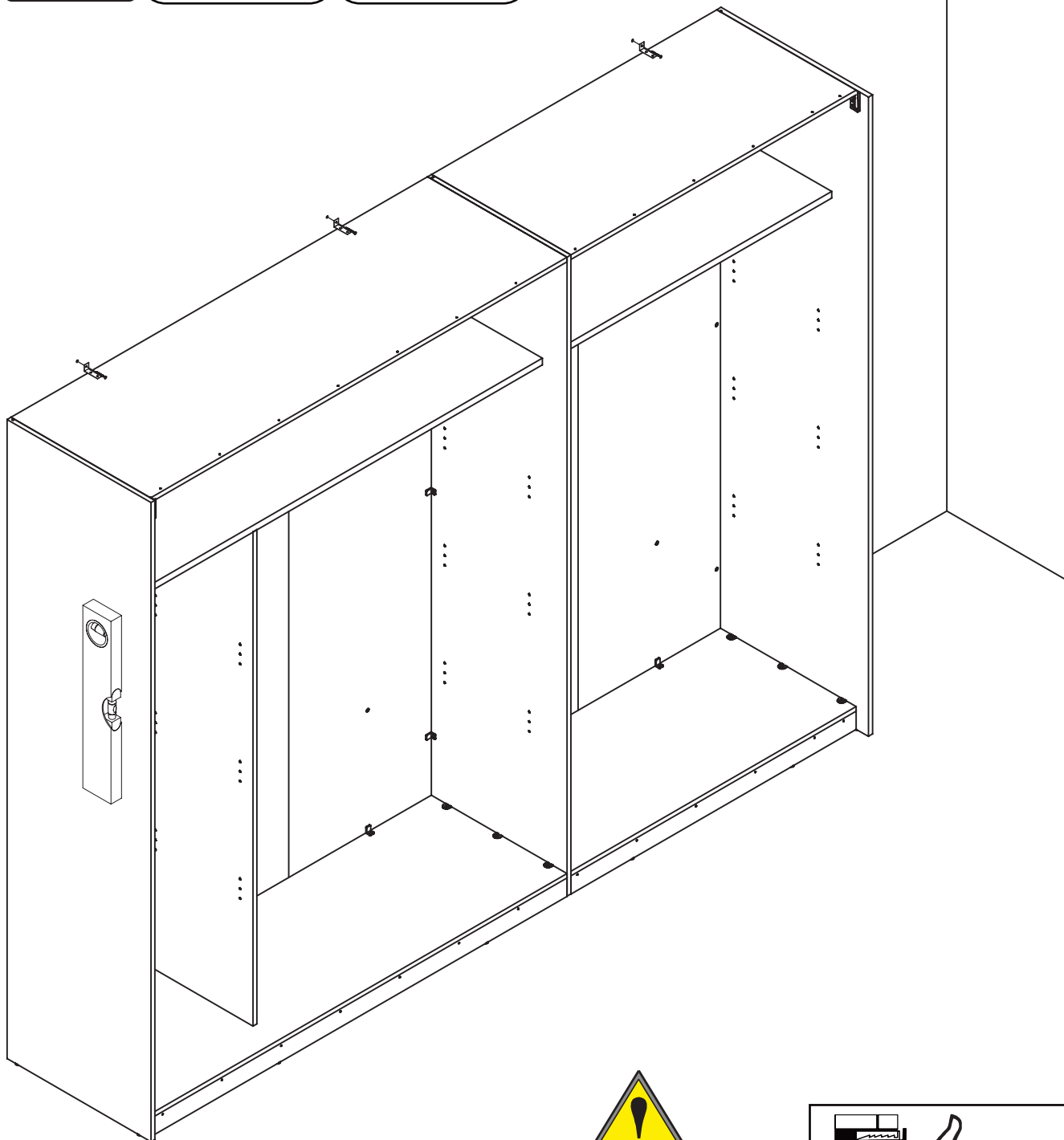
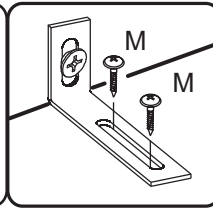
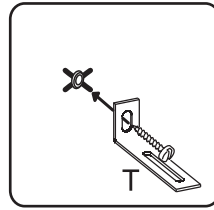
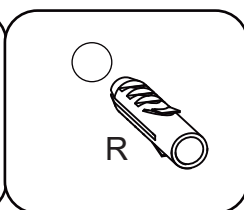
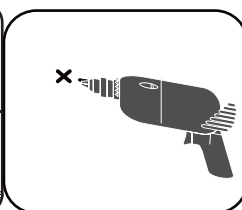
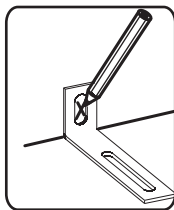
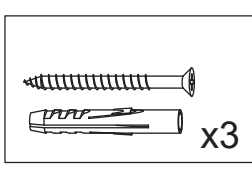
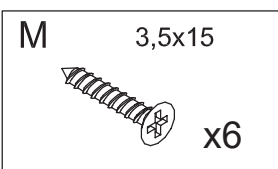
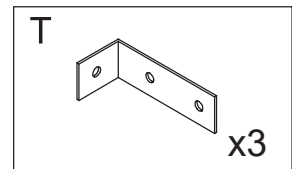
19



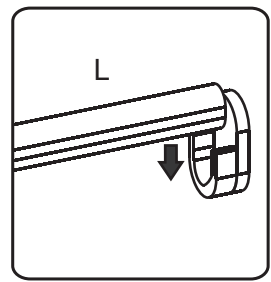
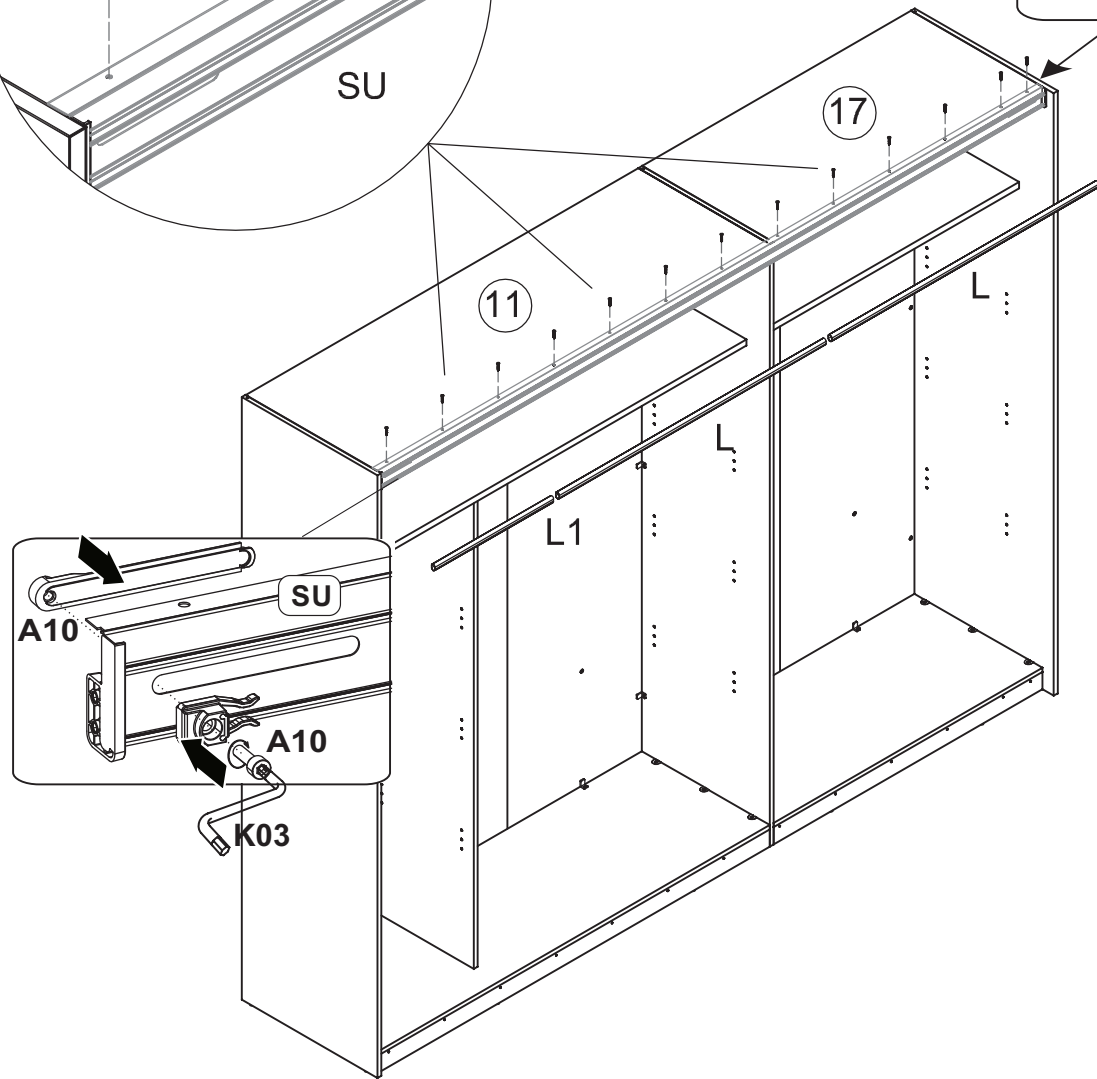
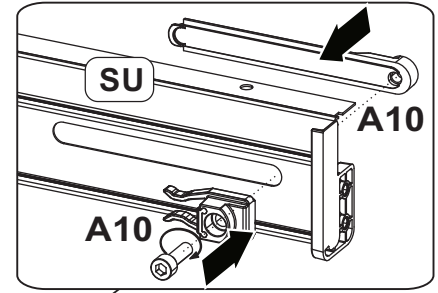
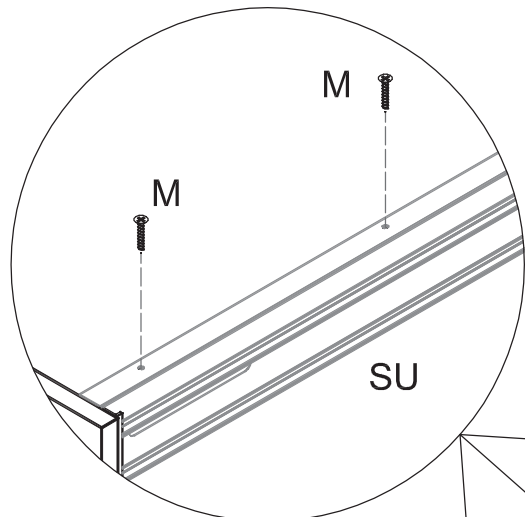
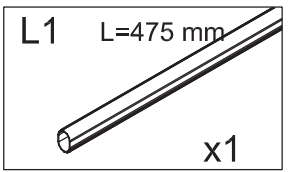
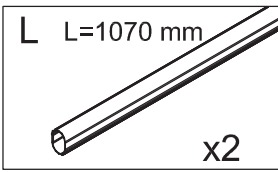
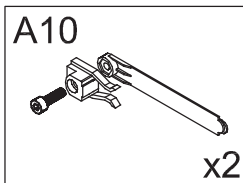
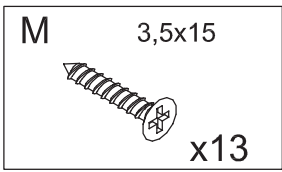
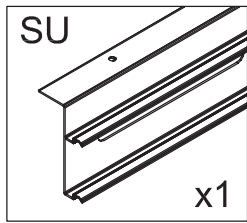
20



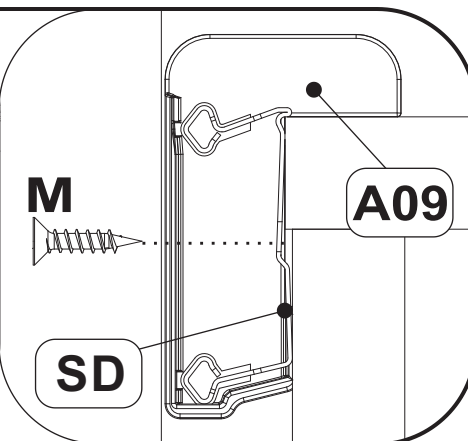
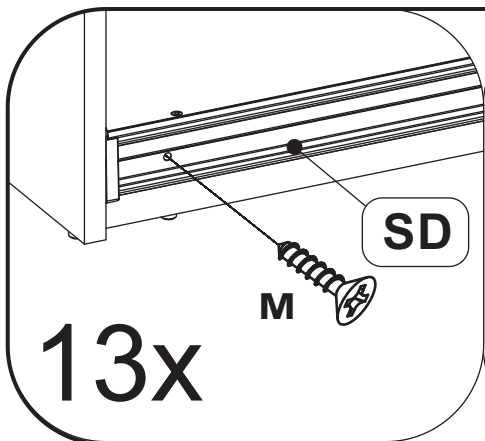
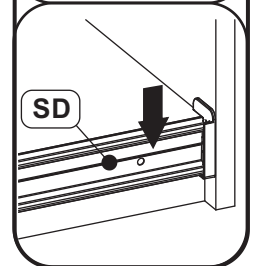
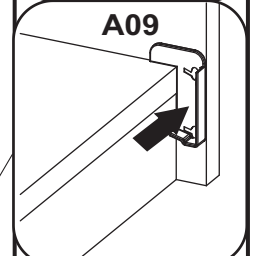
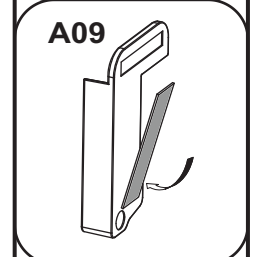
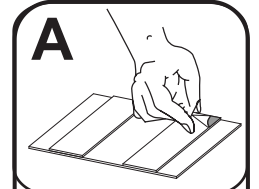
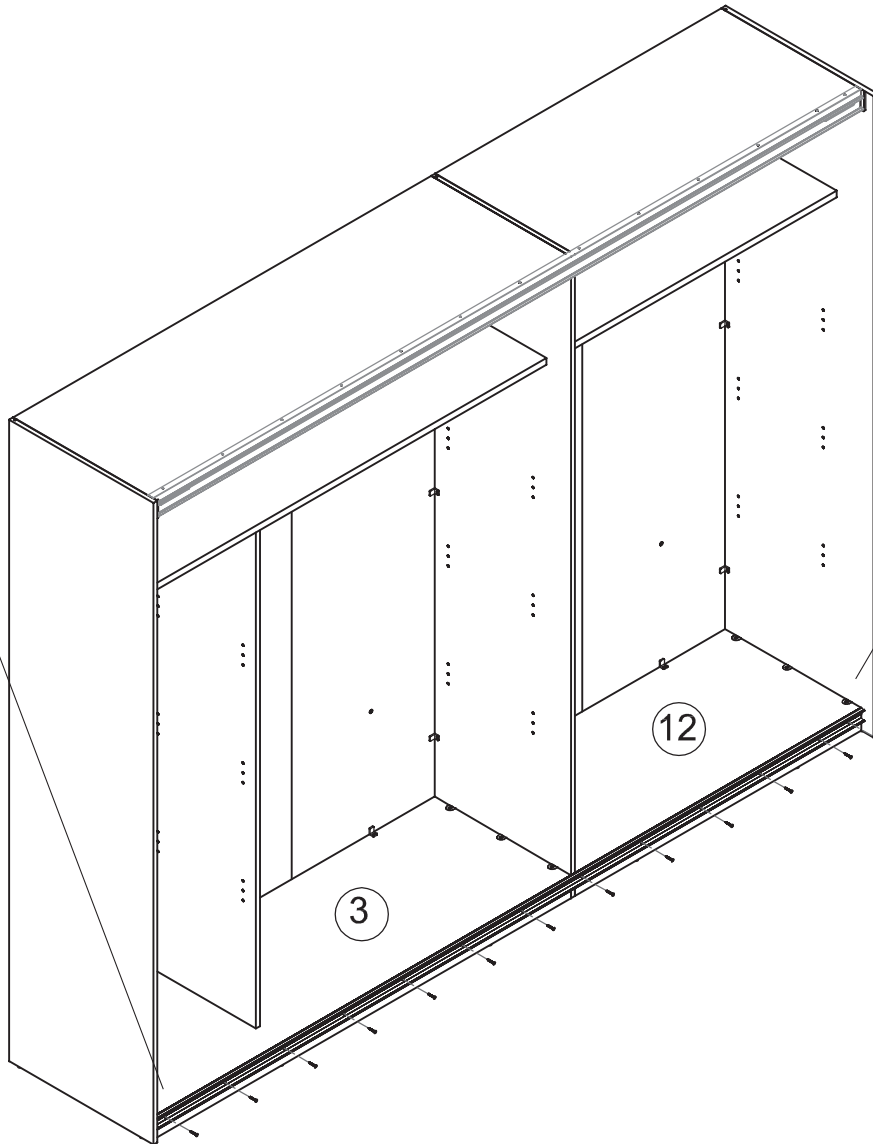
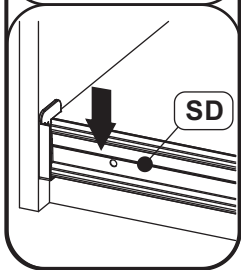
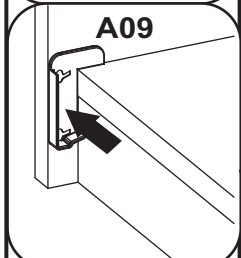
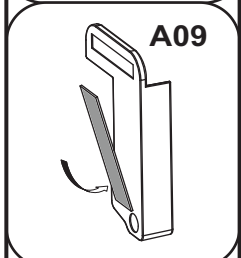
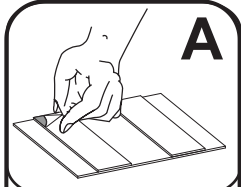
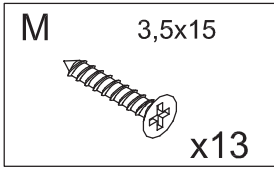
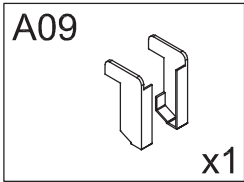
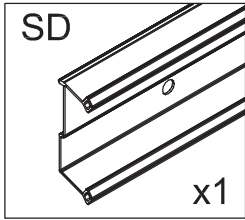
21

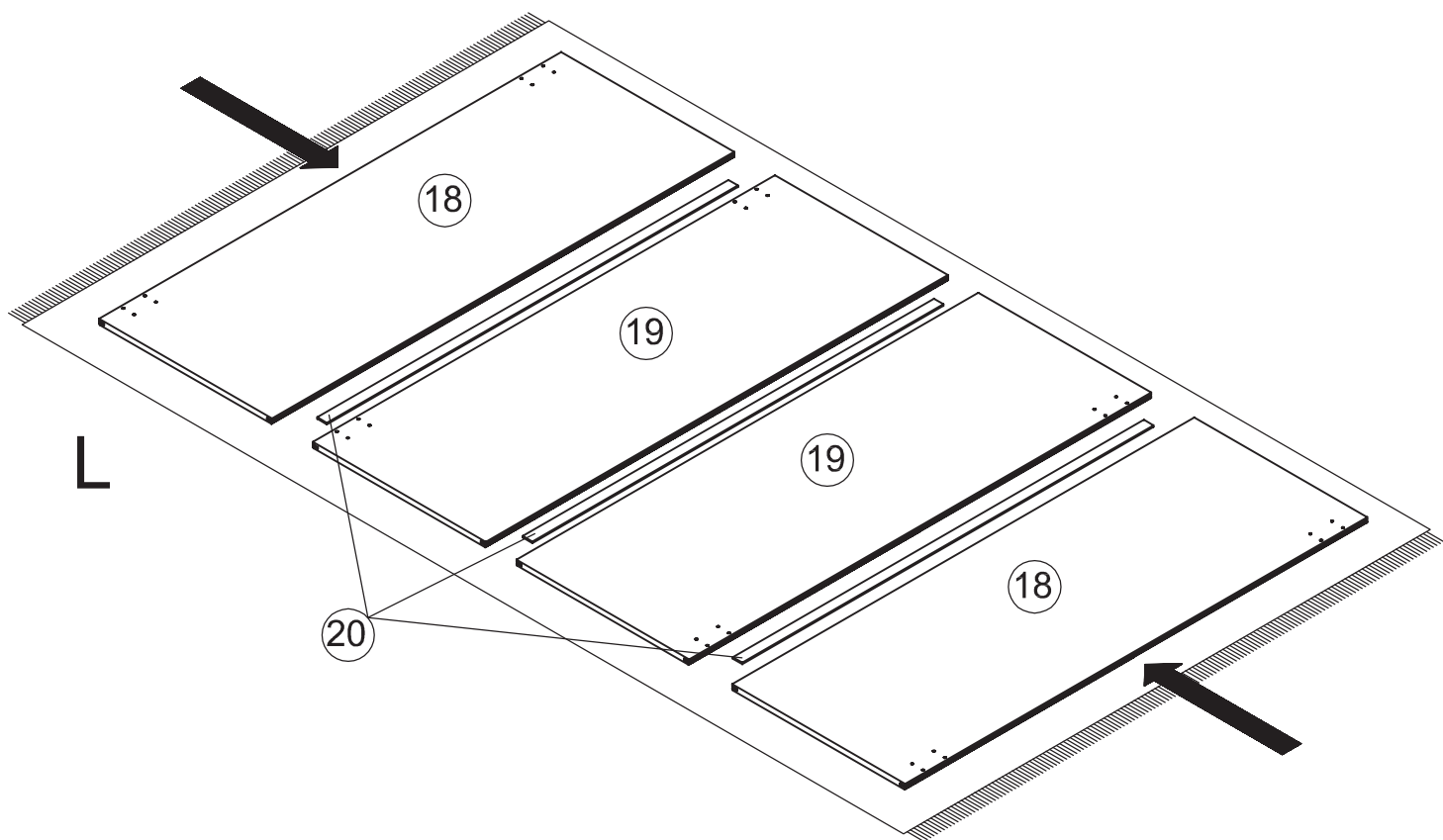


22

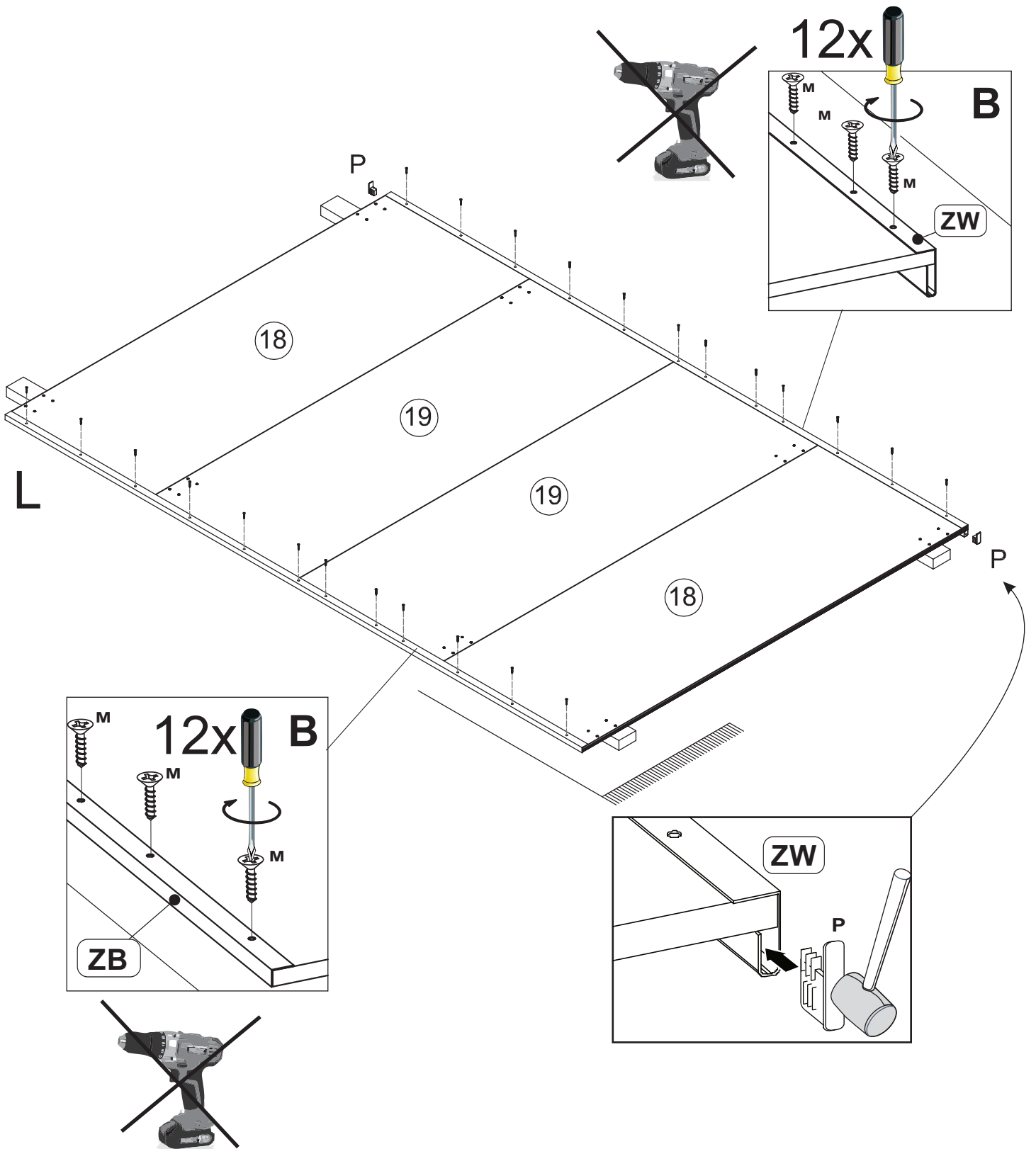
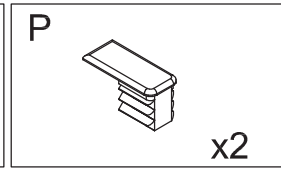
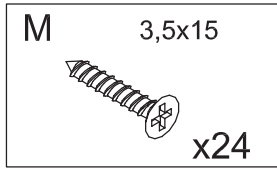
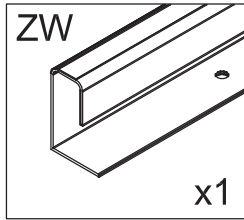
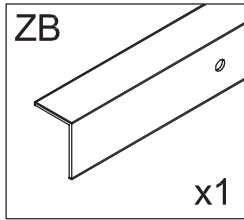


23

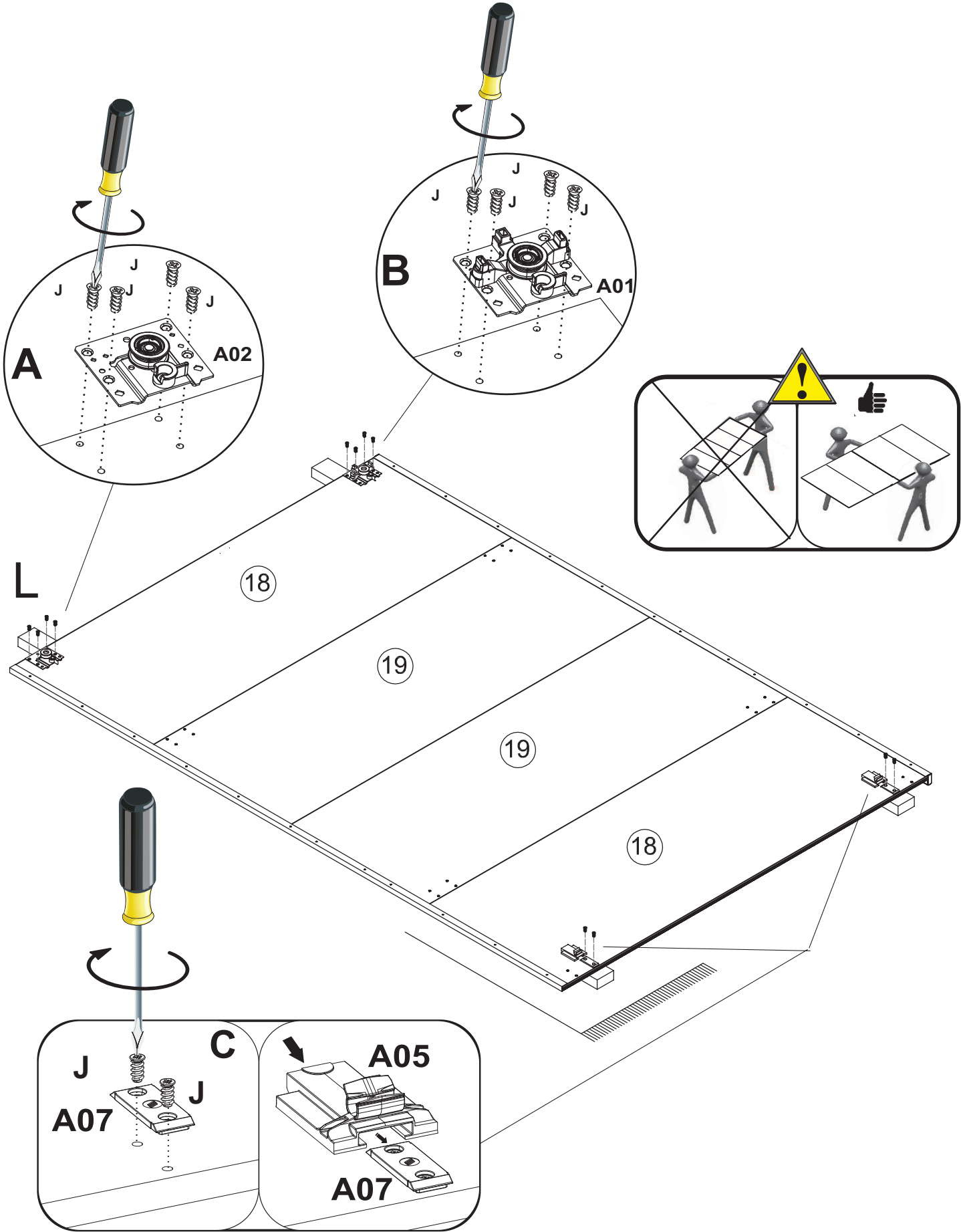
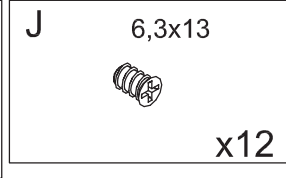
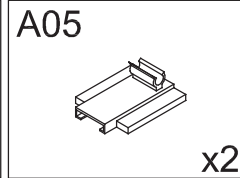
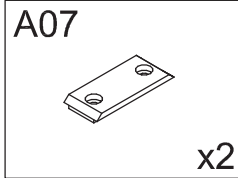
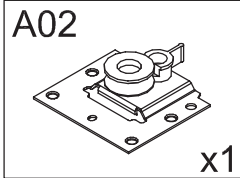
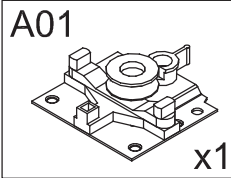




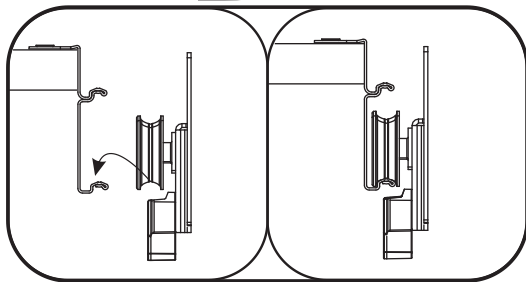
25



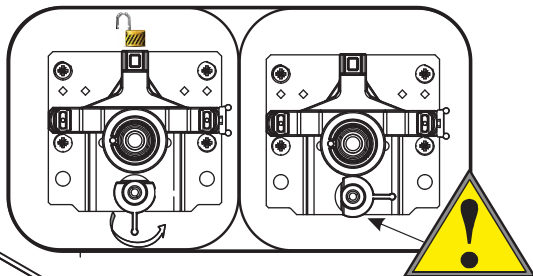
26



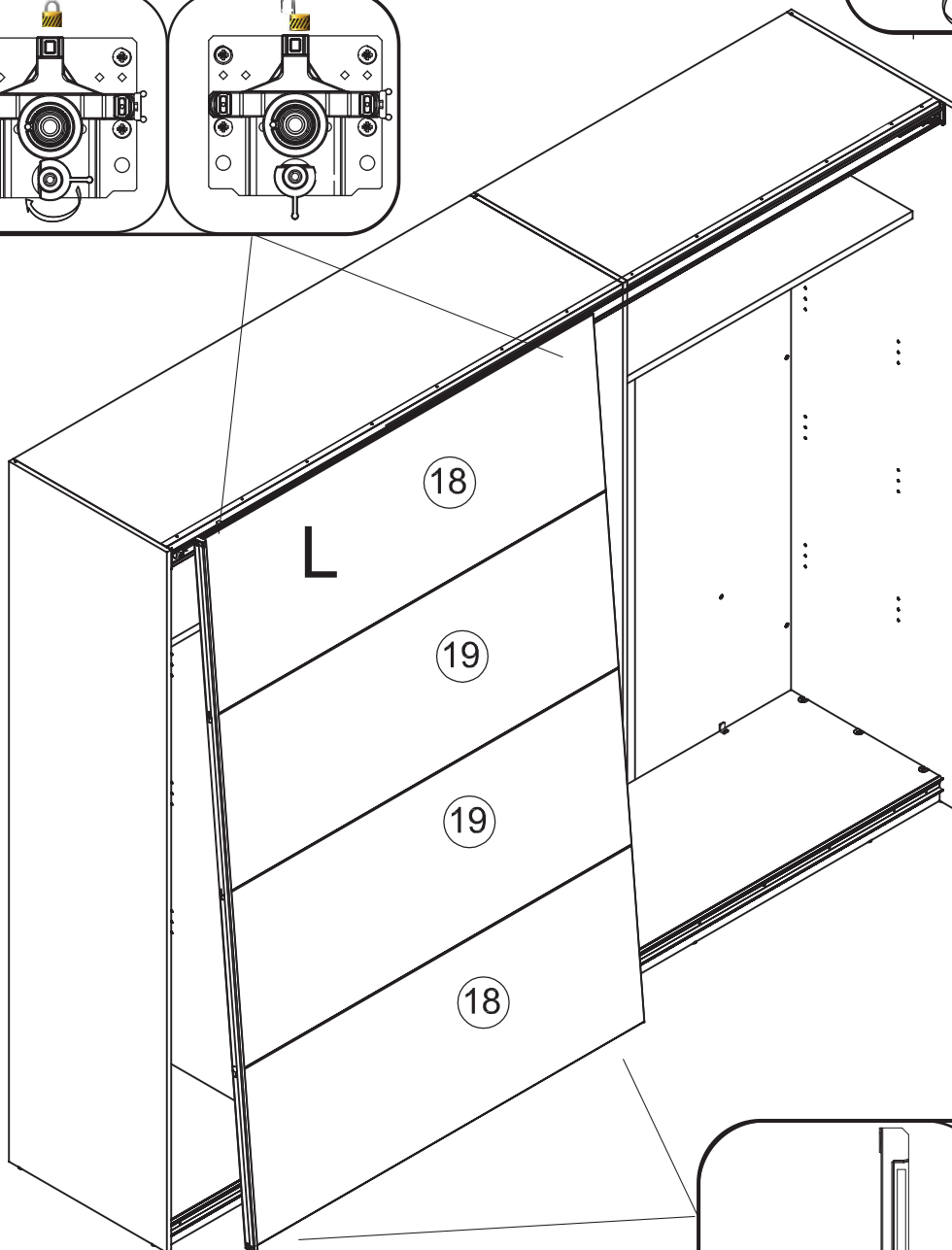
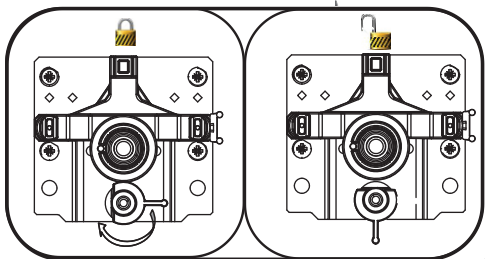
B



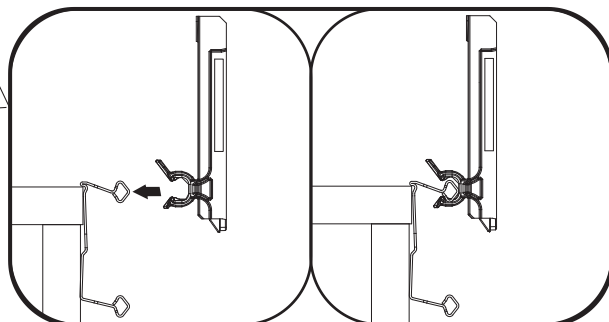
D

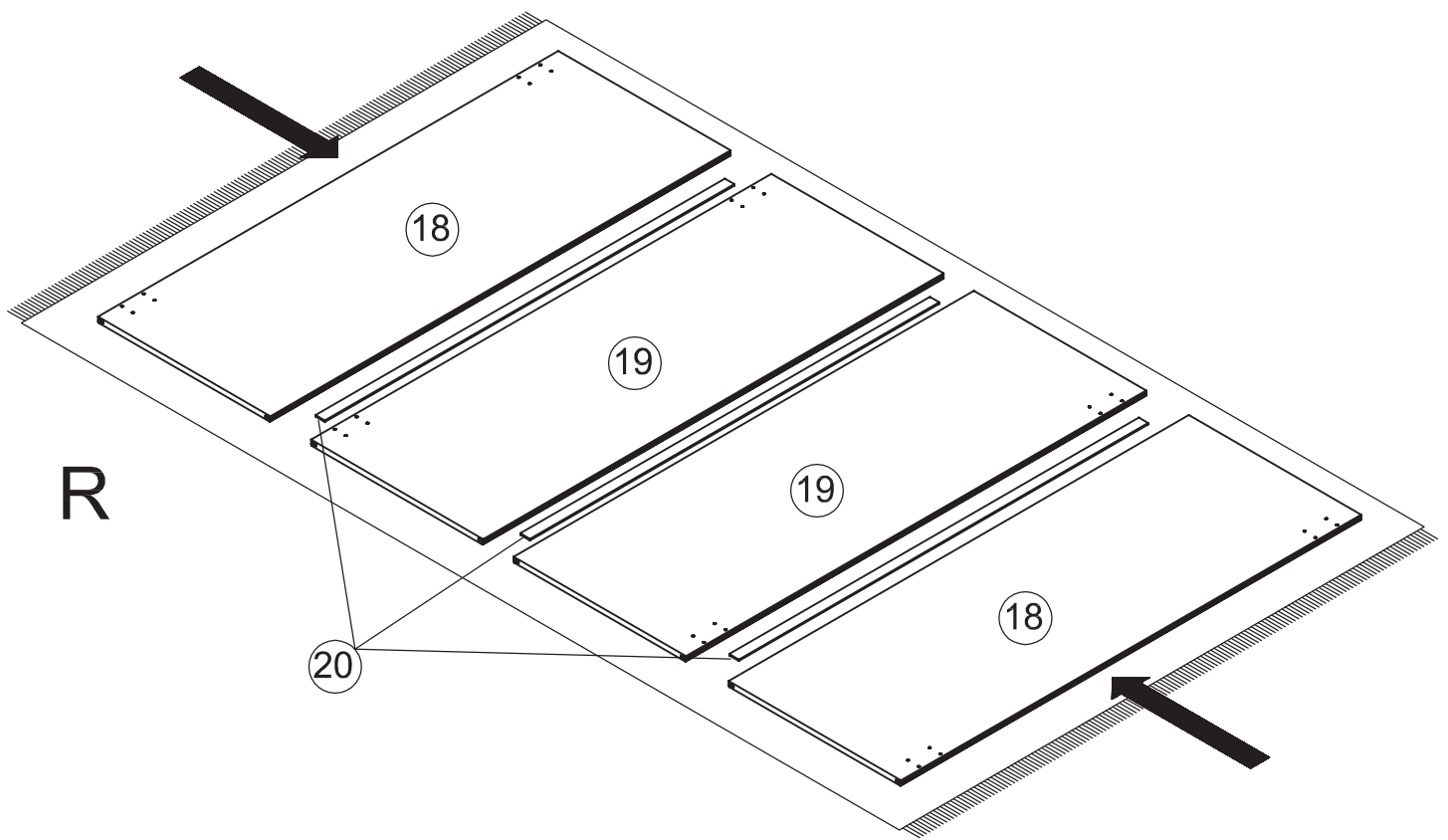


A

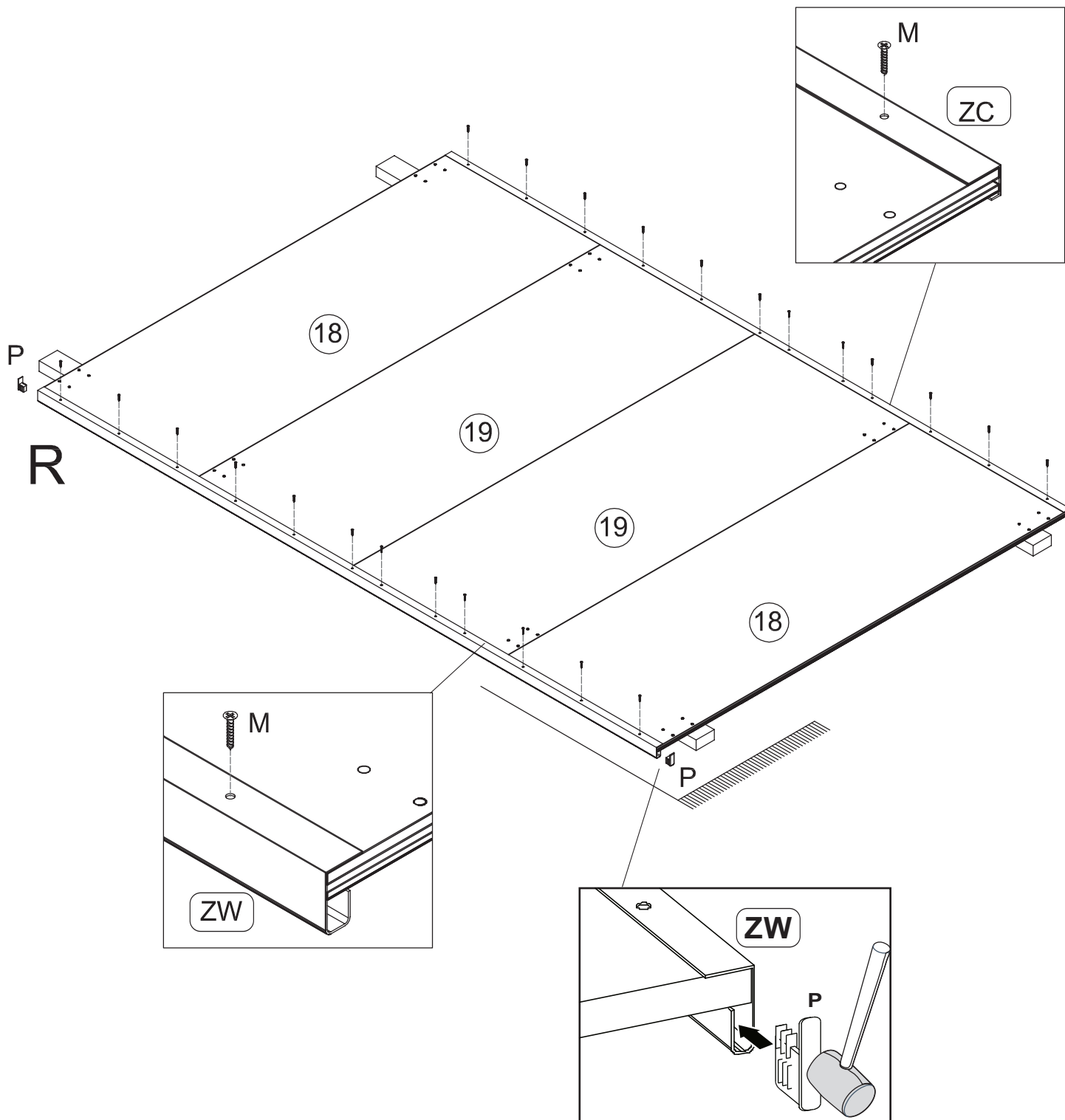
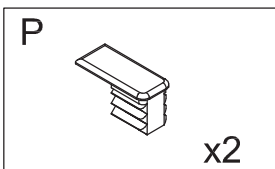
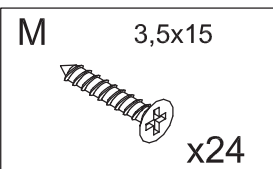
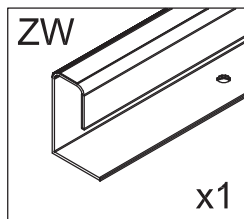
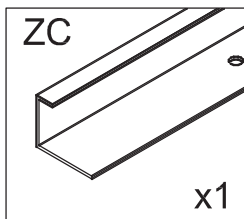


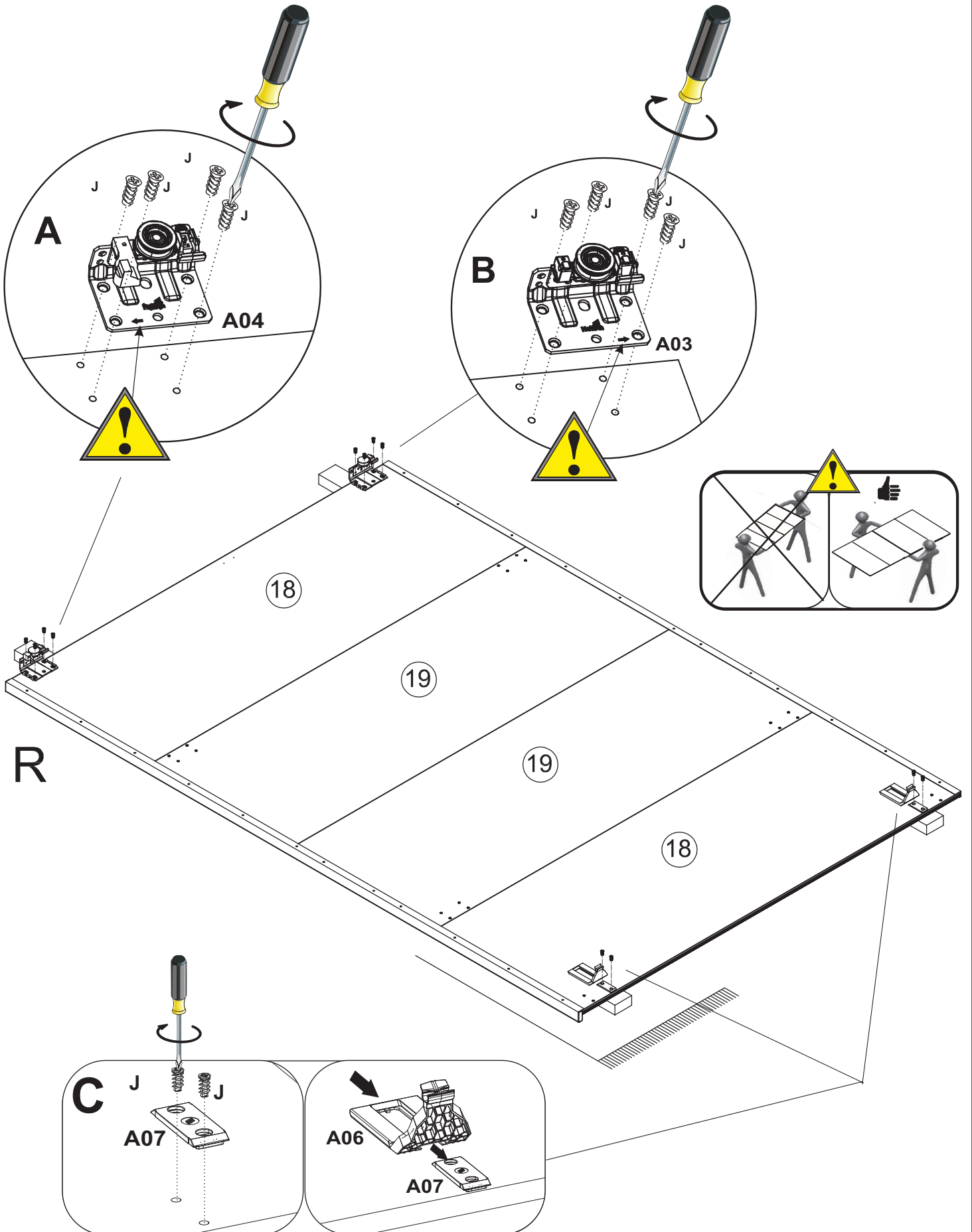
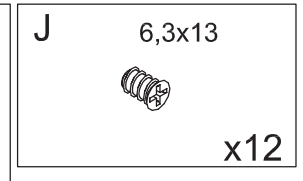
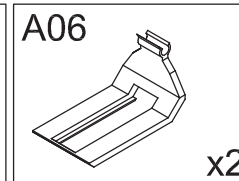
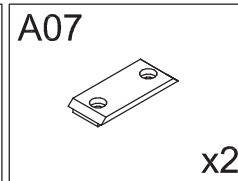
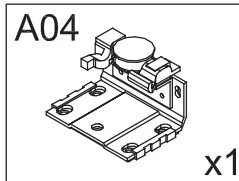
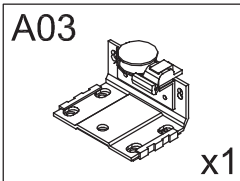
C



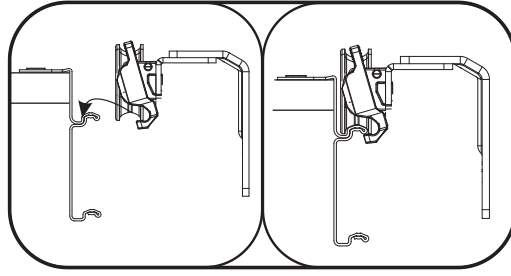


29

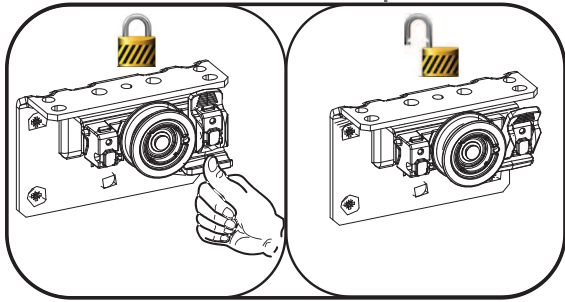




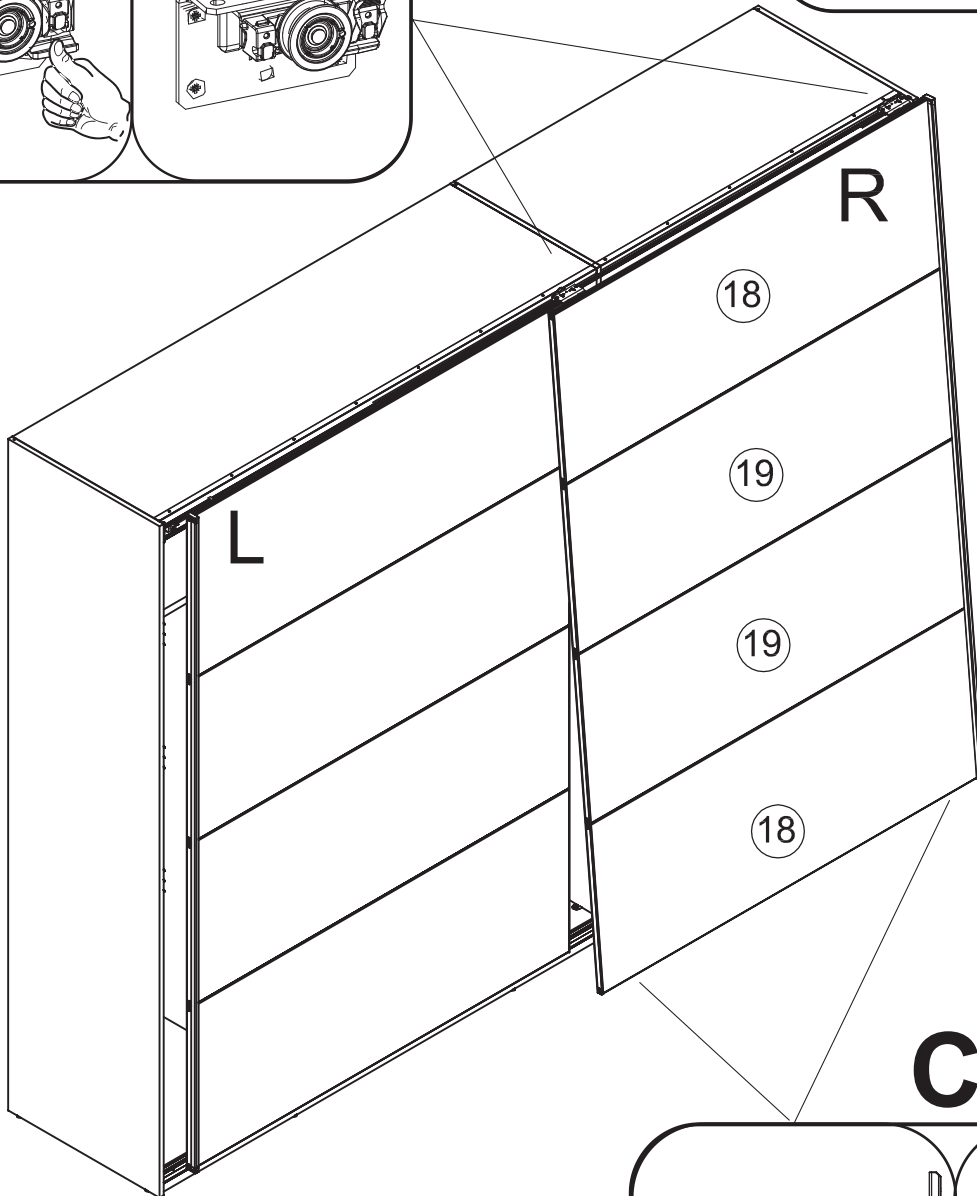
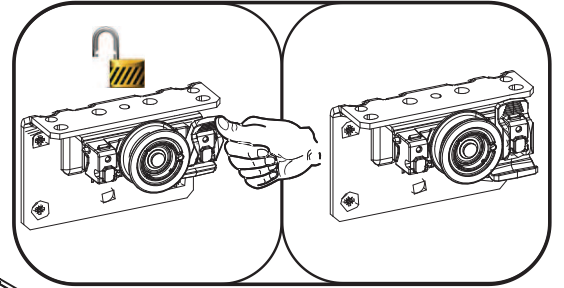
B



A



D



C

