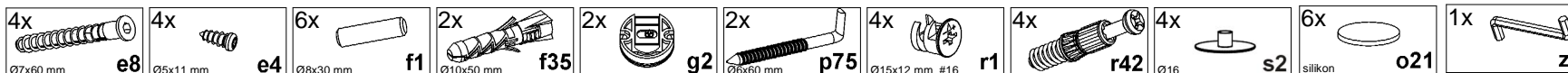
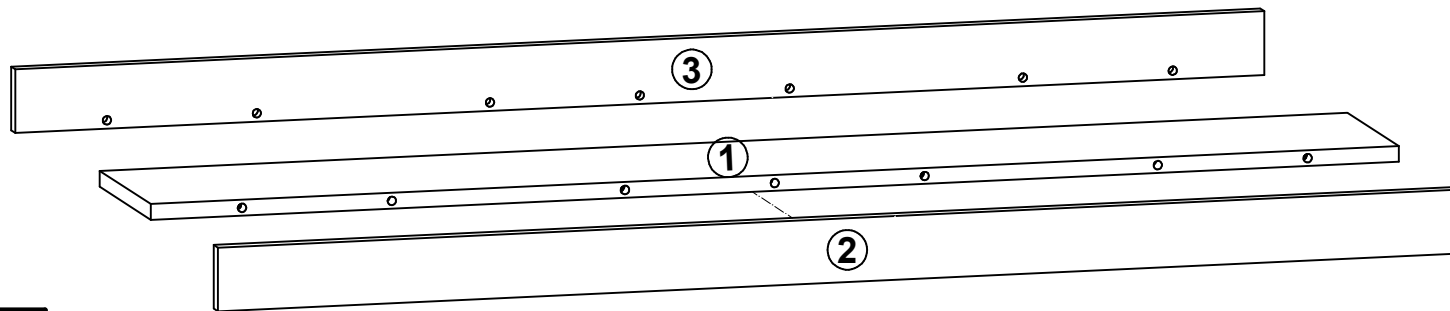
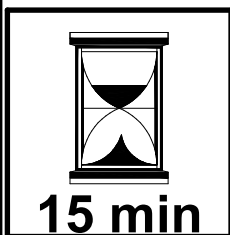
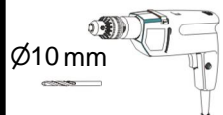
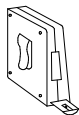
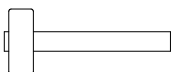
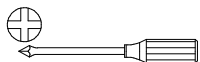
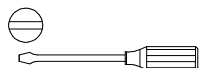
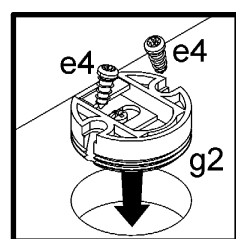




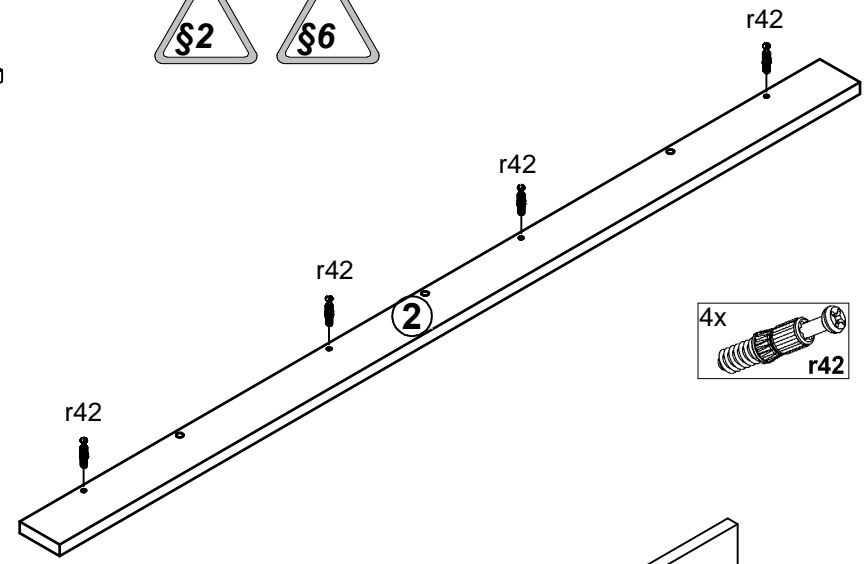
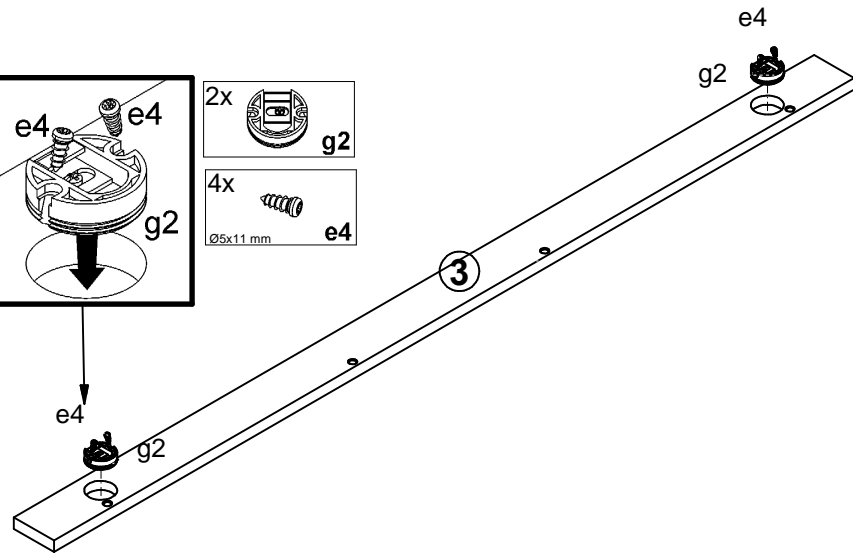
A	B	C (mm)		D
1	M217-3002	1199	184	3/4
2	M217-4001	1200	60	3/4
3	M217-4002	1200	60	3/4




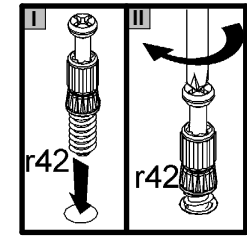
1



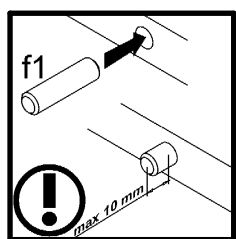
- 2x  g2
- 4x  e4
Ø5x11 mm

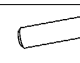


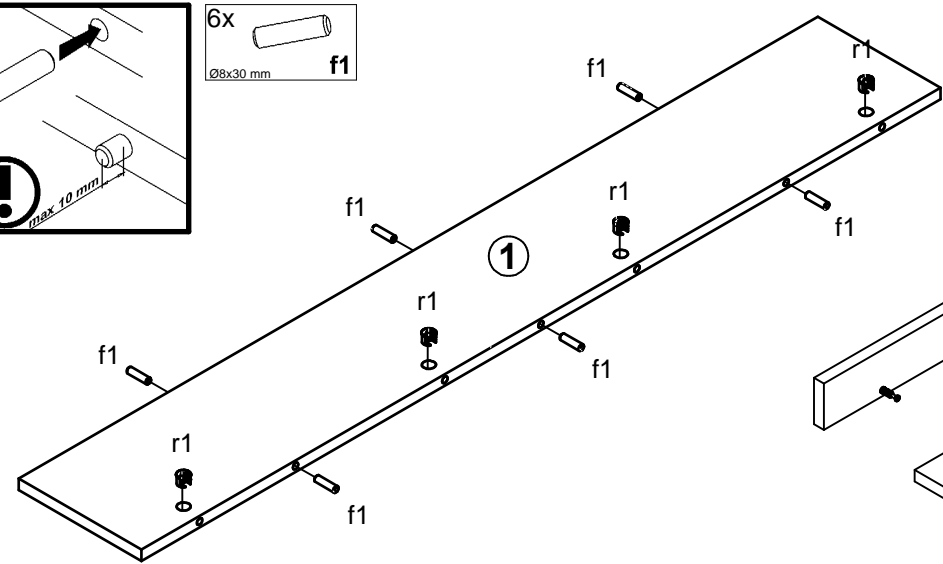
- 4x  r42




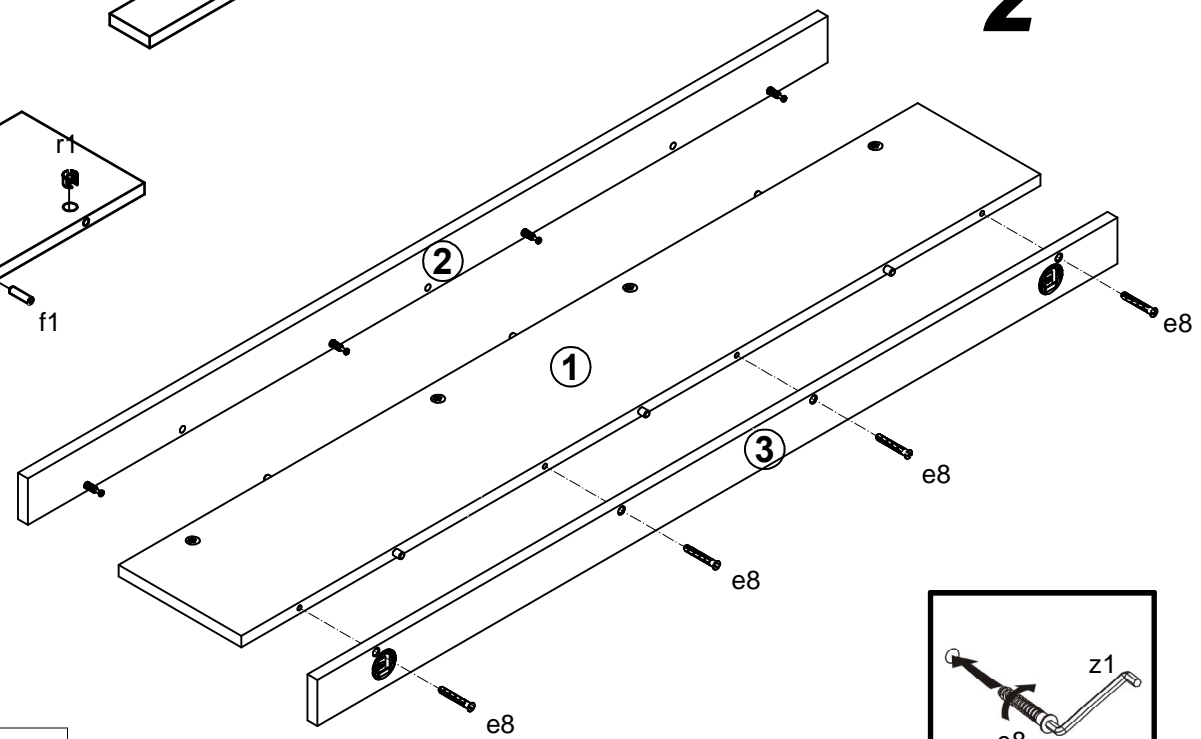
2




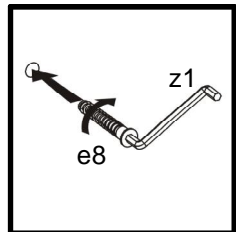
- 6x  f1
Ø8x30 mm



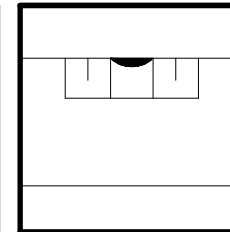
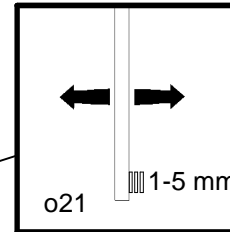
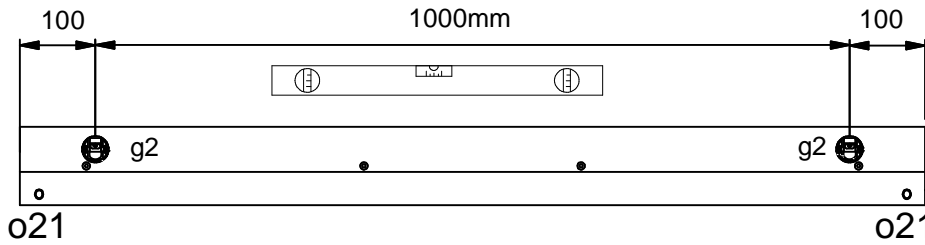
- 4x  r1
Ø15x12 mm #16



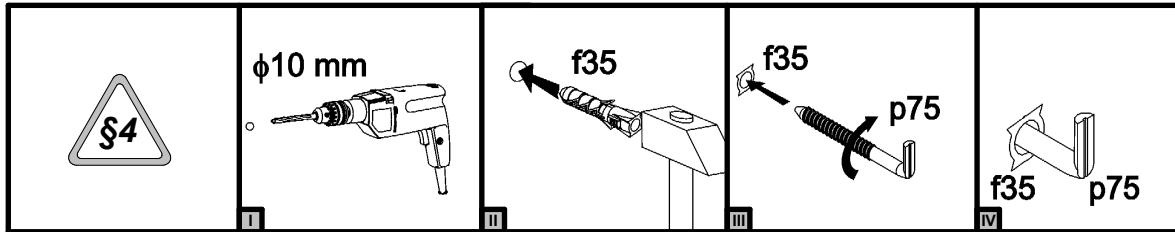
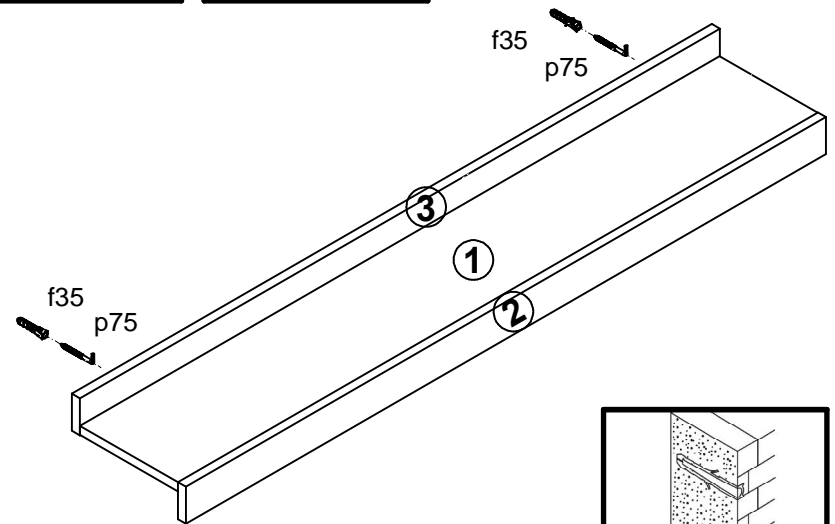
- 4x  e8
Ø7x60 mm



3



4



5

