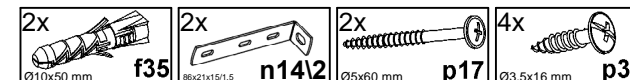
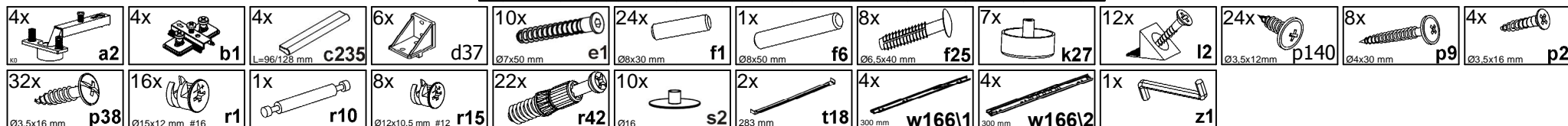
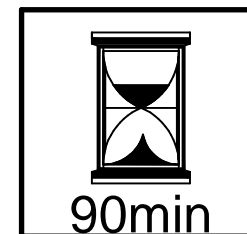
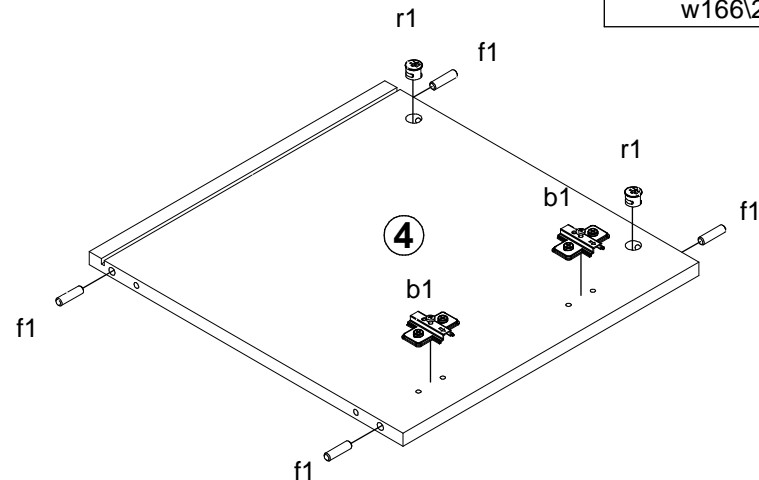
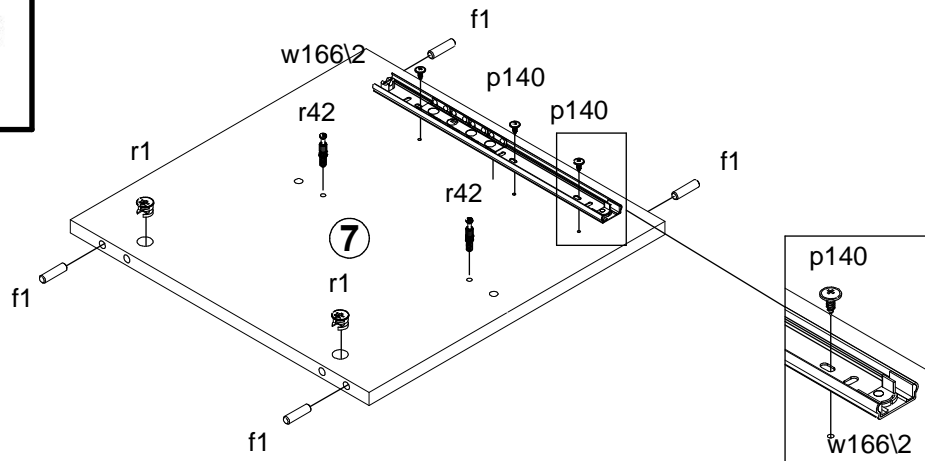
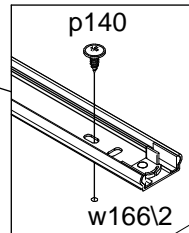
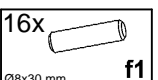
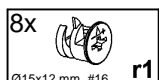
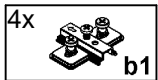
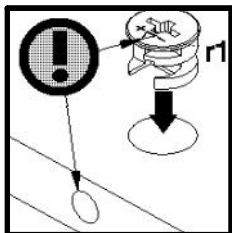
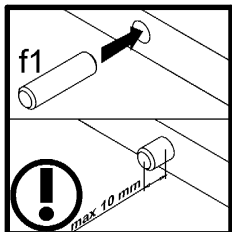
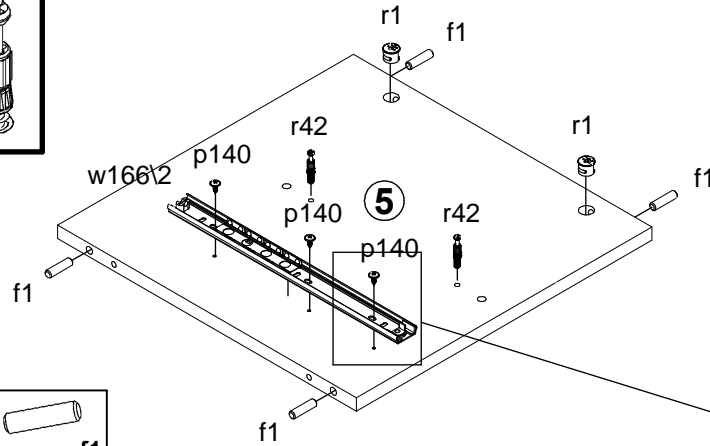
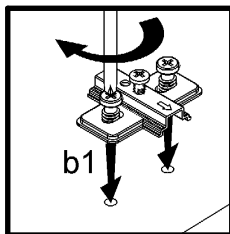
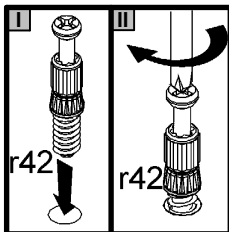
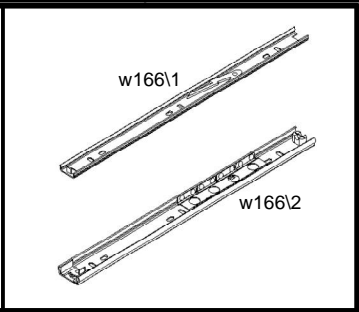
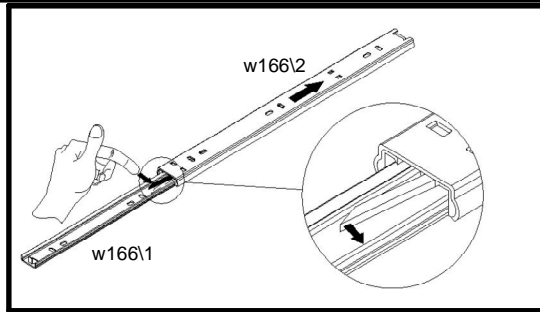
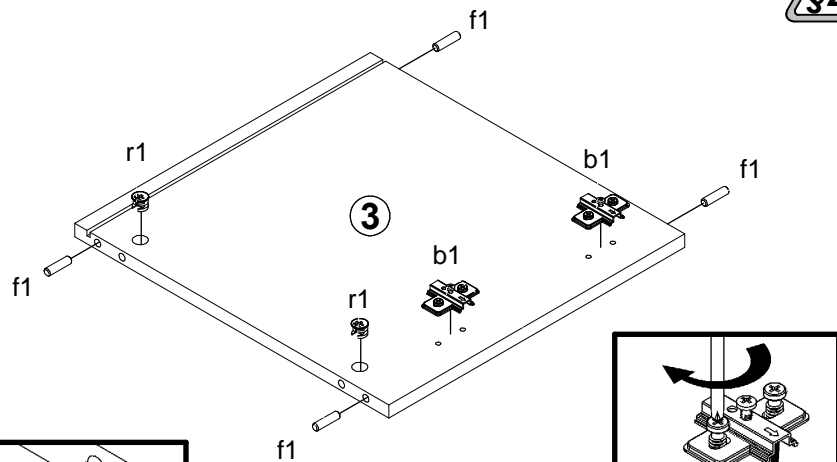


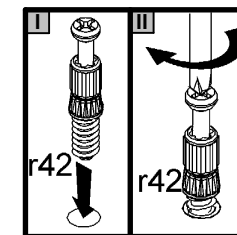
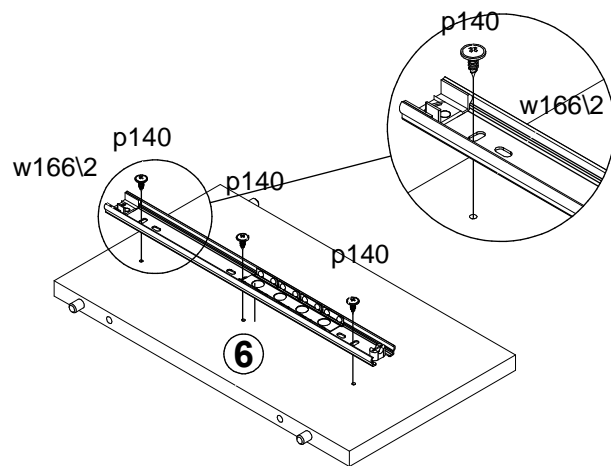
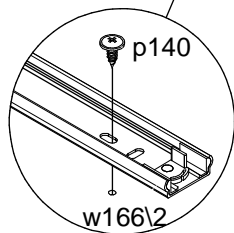
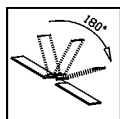
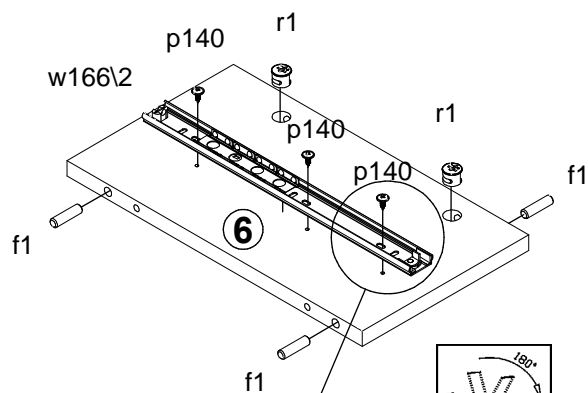
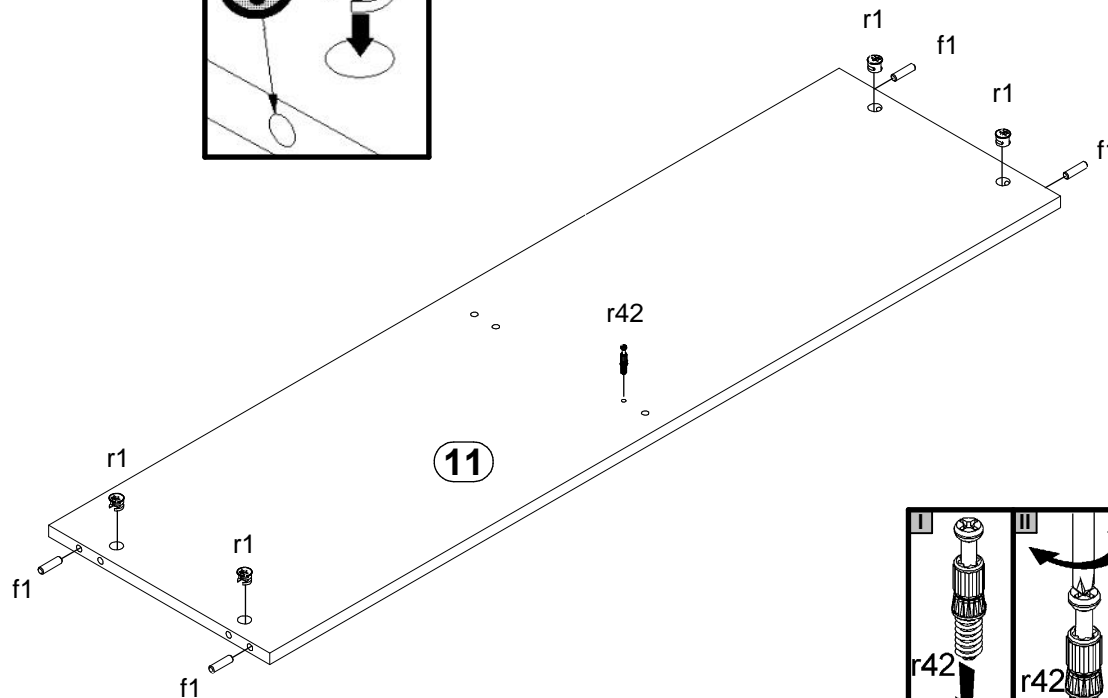
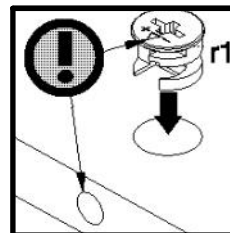
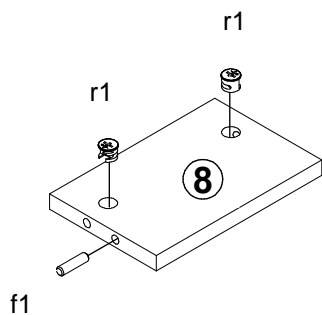
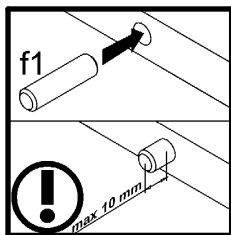
A	B	C (mm)		D
1	M217-0001	197	597	3/4
2	M217-0002	337	446	4/4
3	M217-1001	388	412	4/4
4	M217-1002	388	412	4/4
5	M217-1003	388	392	4/4
6	M217-1004	187	332	4/4
7	M217-1005	388	392	4/4
8	M217-1012	186	120	4/4
9	M217-2001	2099	412	4/4
10	M217-2002	2099	431	4/4
11	M217-3001	1185	332	3/4
12	M217-5001	2100	60	4/4
13	M217-9003	398,	445,	4/4
14	WSK3-503	300	120	3/4
15	WSK3-504	300	120	3/4
16	WSP-9181	699	308	4/4
17	WTR-5033	540	120	3/4



1

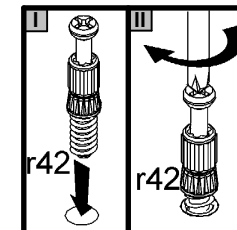
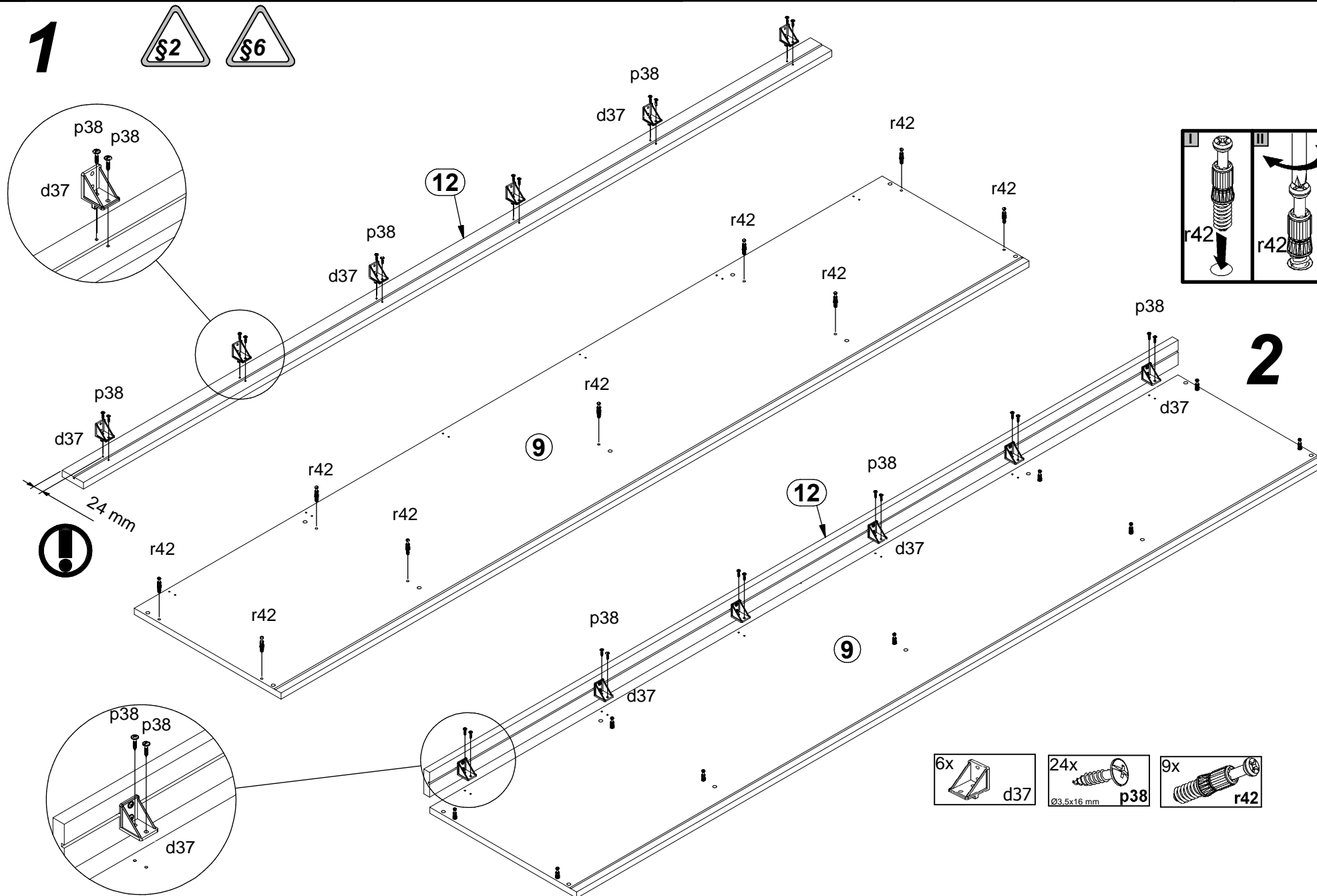


1

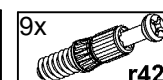
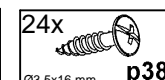


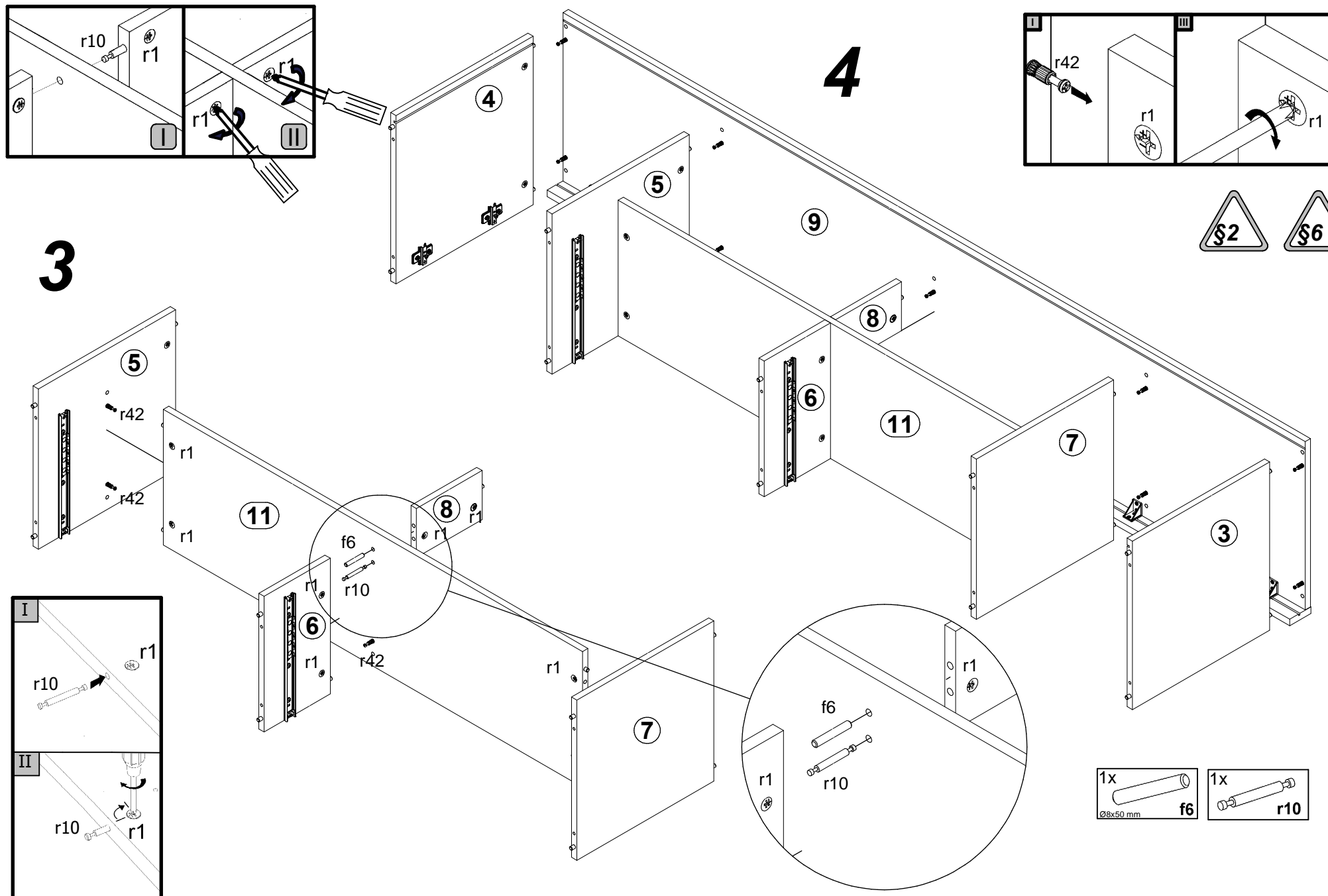
- |                           |                         |                      |
|---------------------------|-------------------------|----------------------|
| 8x<br>Ø15x12 mm #16<br>r1 | 1x<br>r42               | 8x<br>Ø8x30 mm<br>f1 |
| 2x<br>300 mm<br>w166\2    | 6x<br>Ø3.5x12mm<br>p140 |                      |

1



2

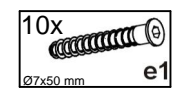
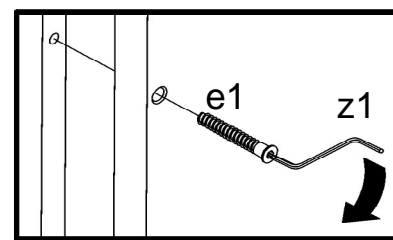
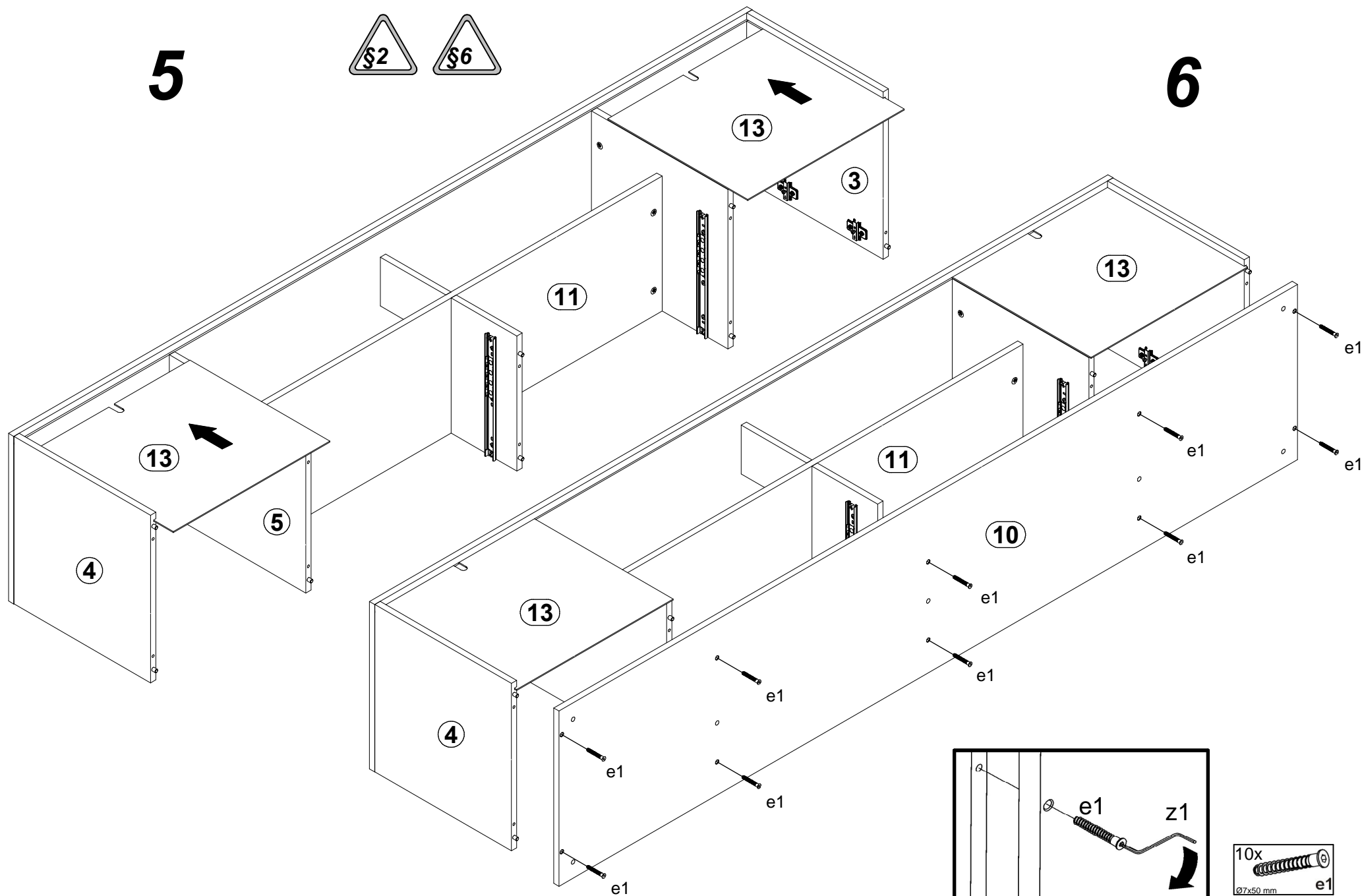




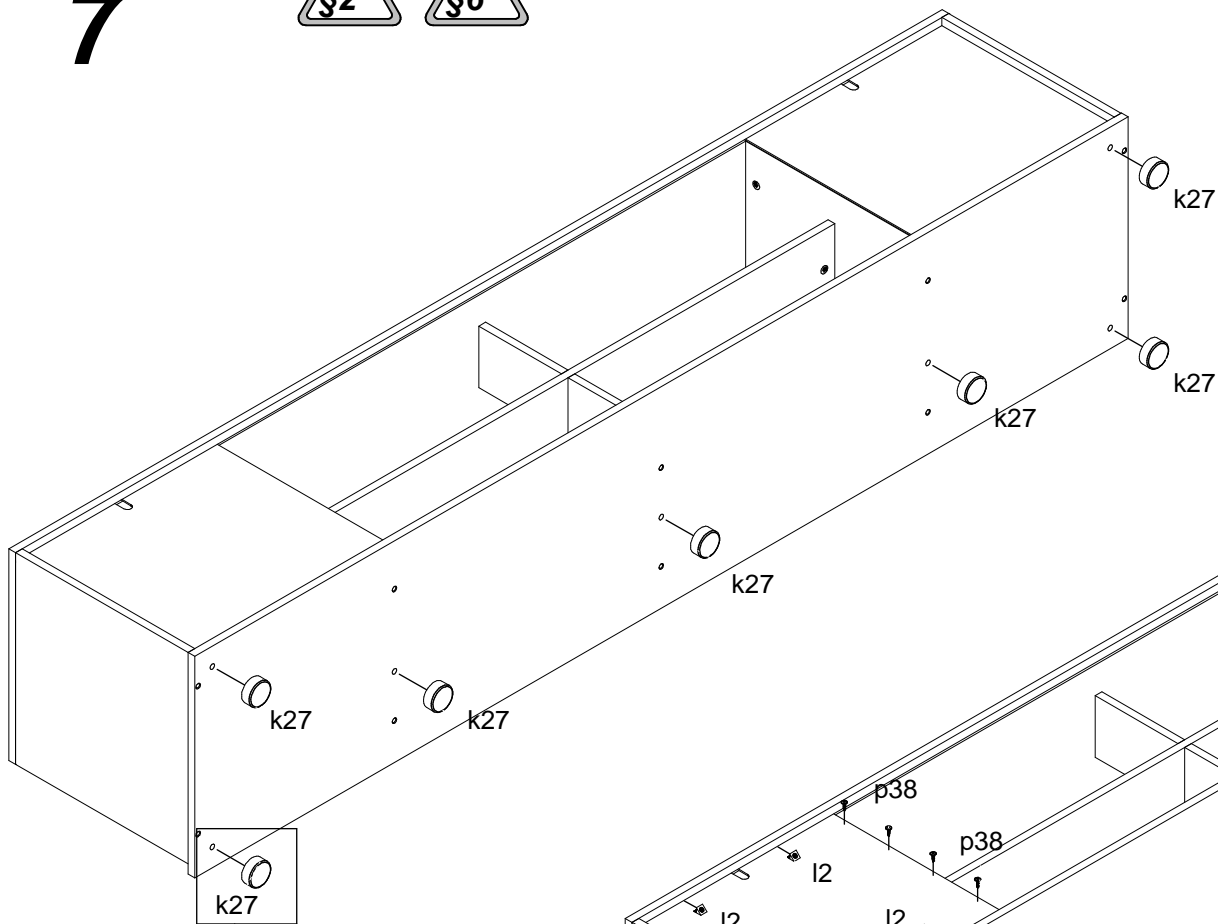
5



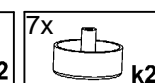
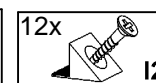
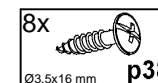
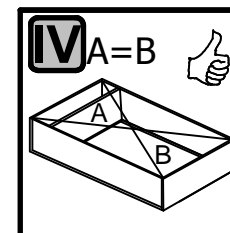
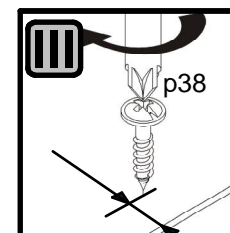
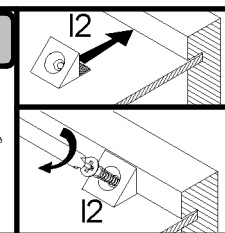
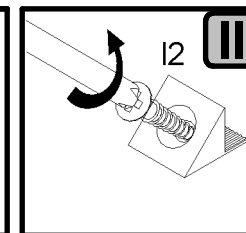
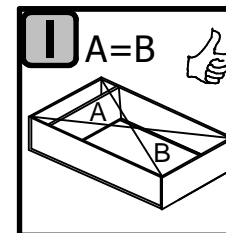
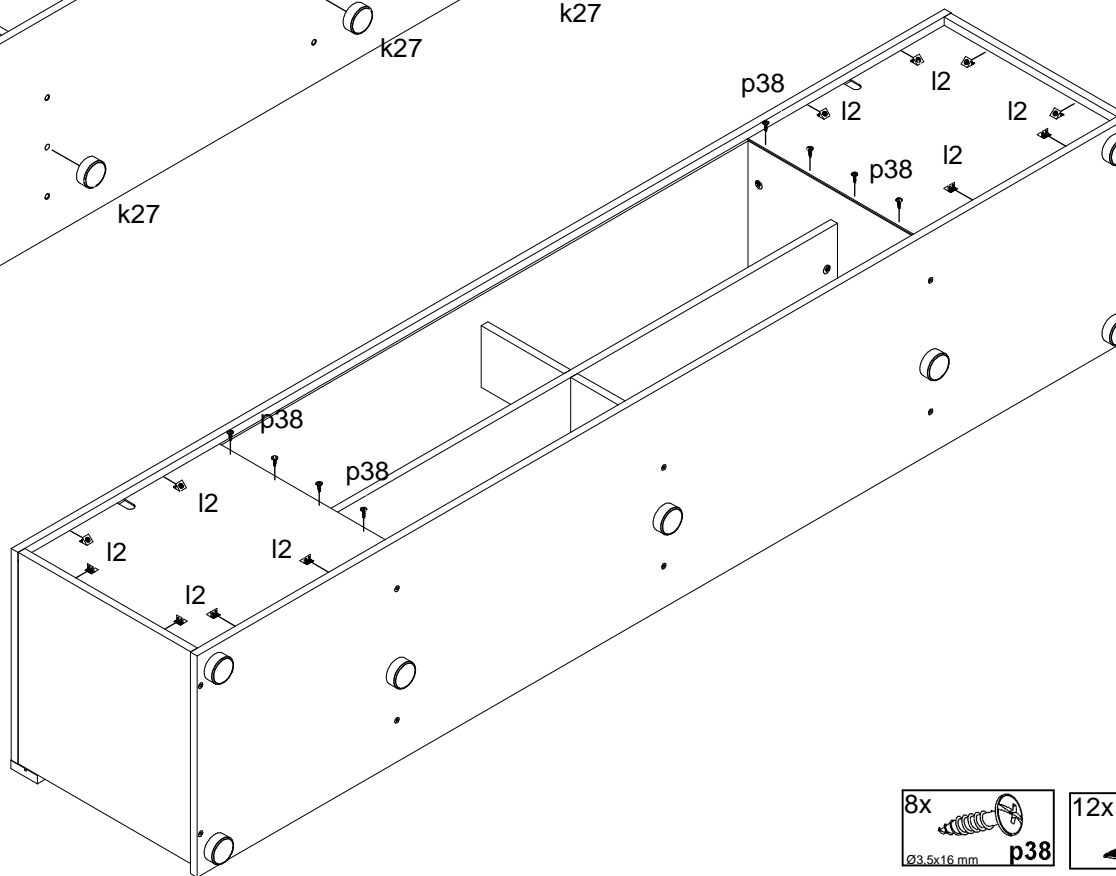
6



7



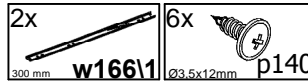
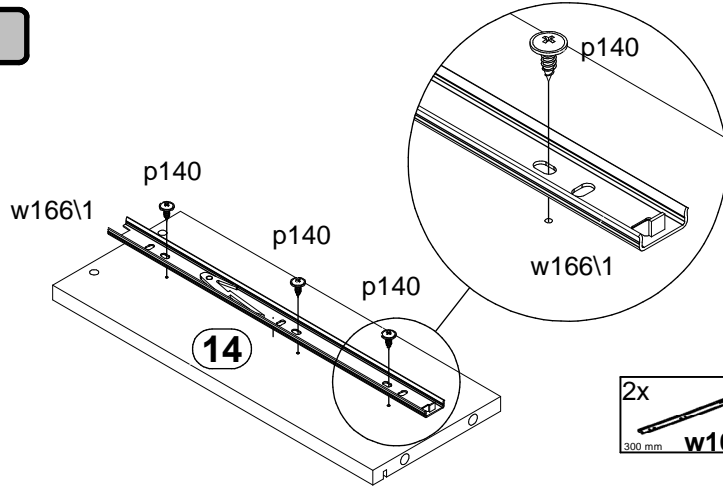
8



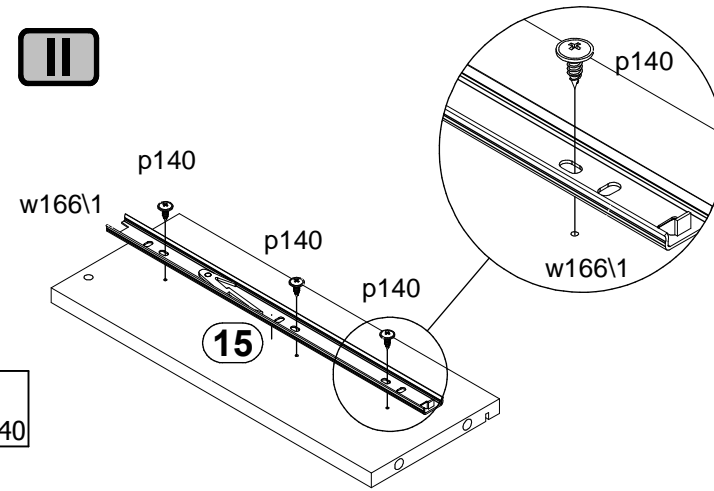


9

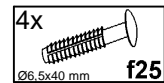
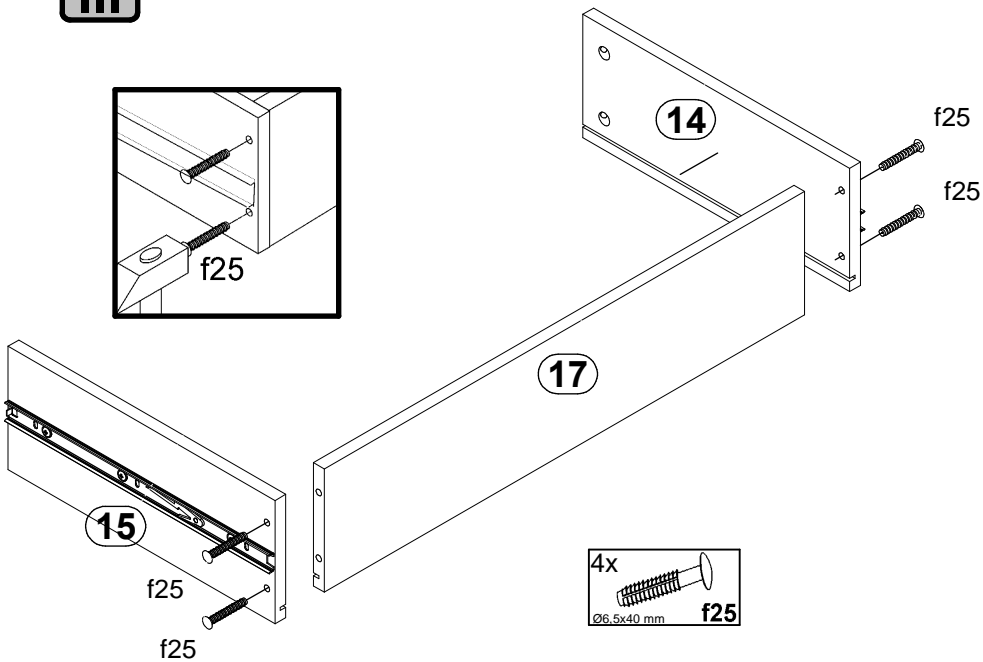
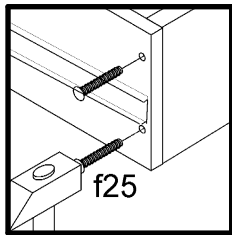
I



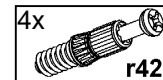
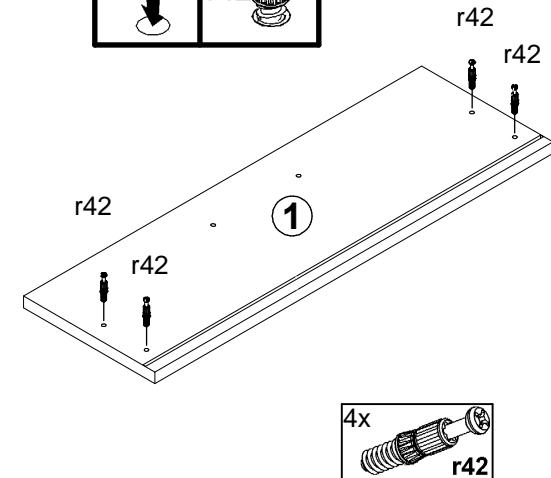
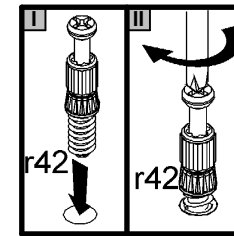
II



III

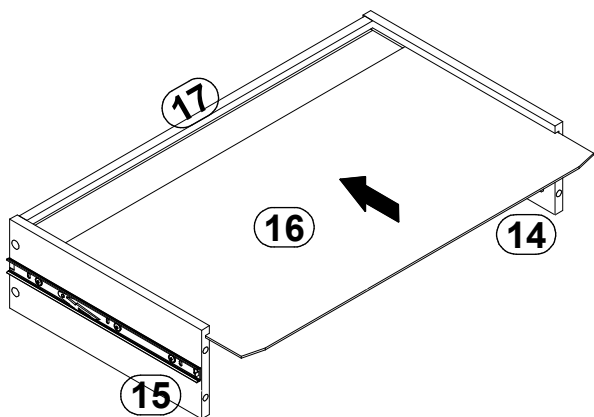


IV

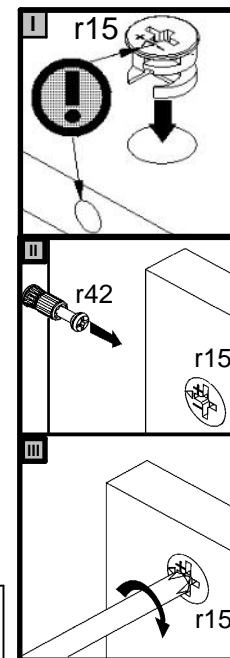
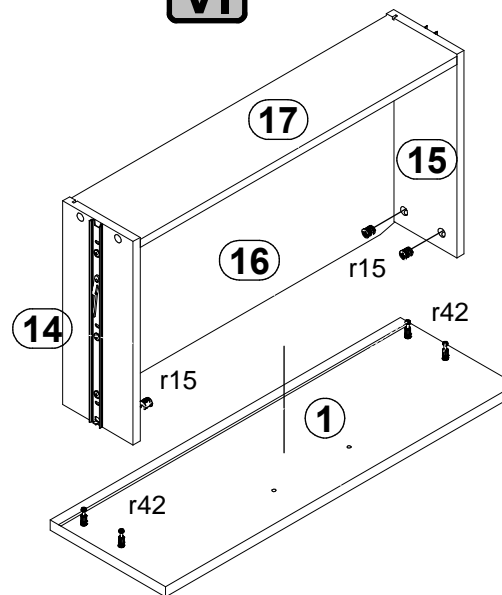


# 10

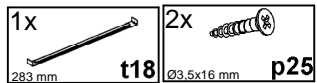
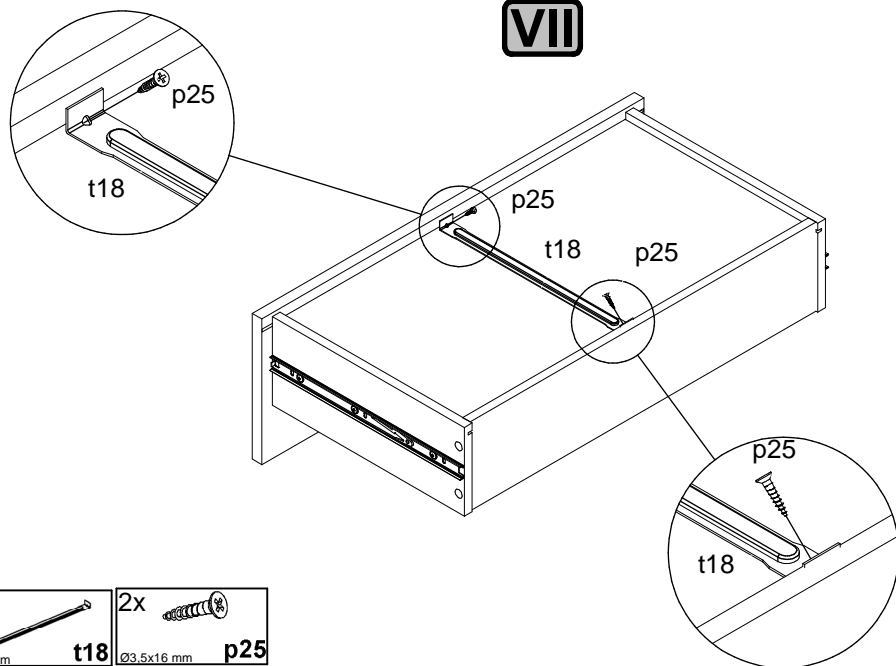
V



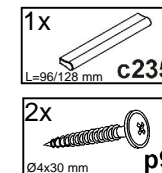
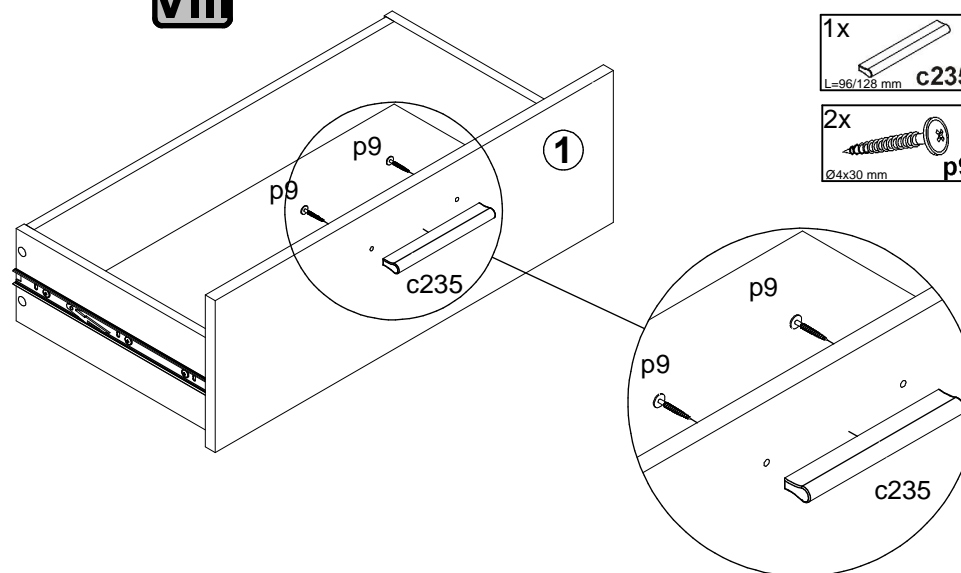
VI

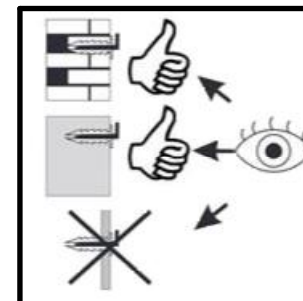
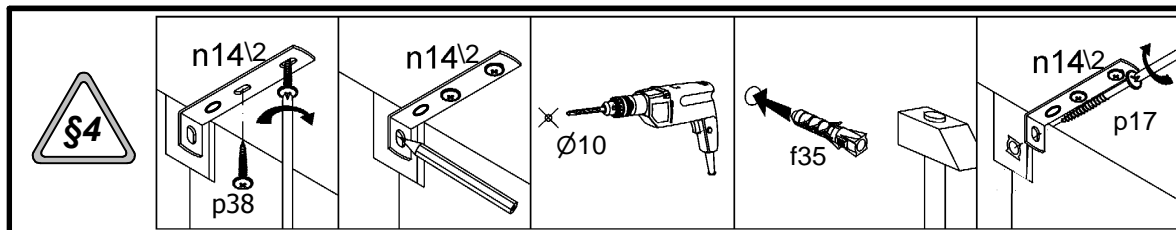


VII

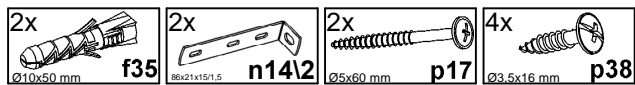
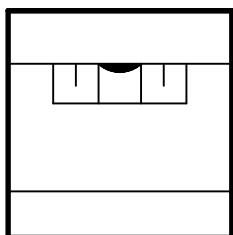
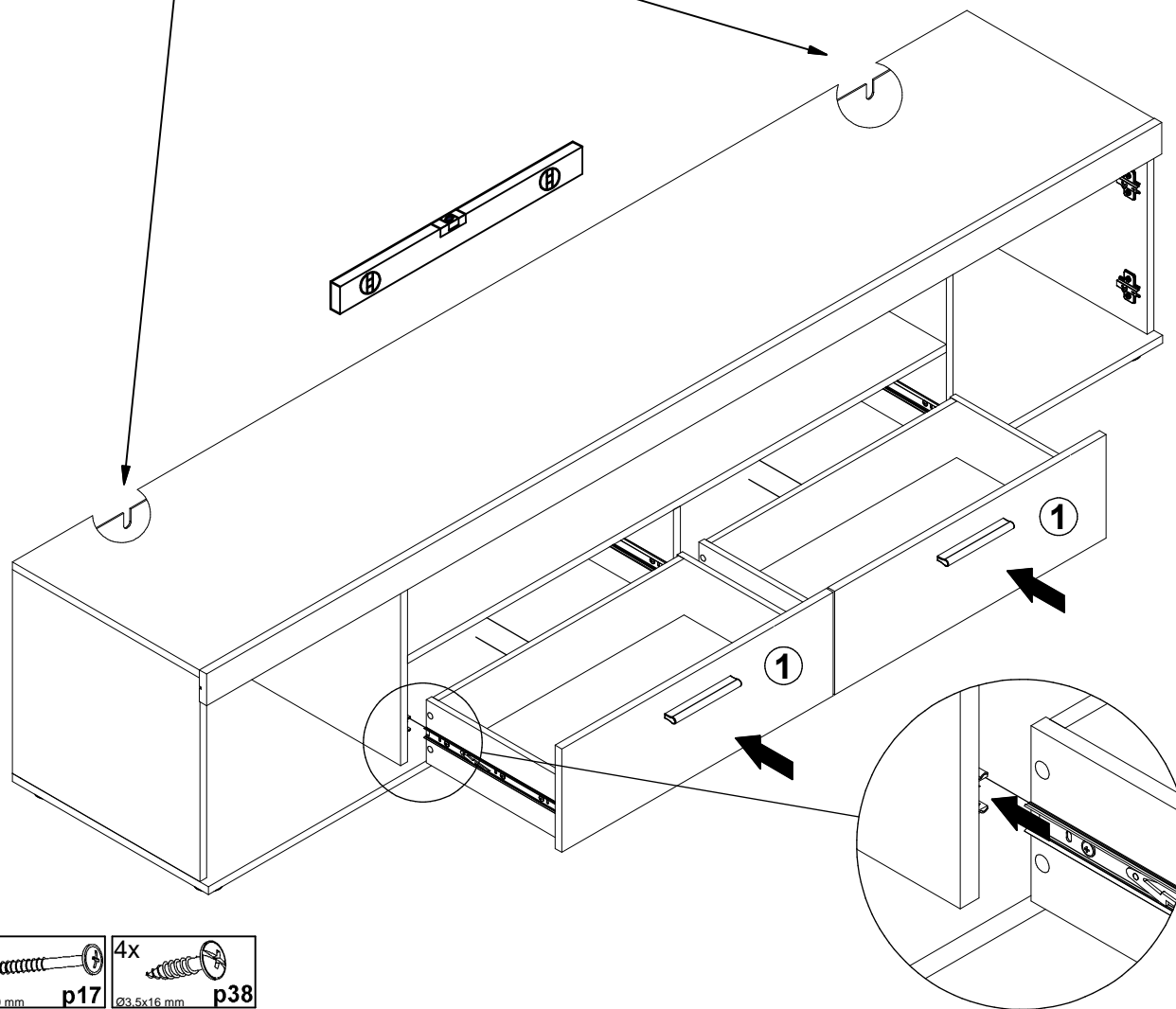


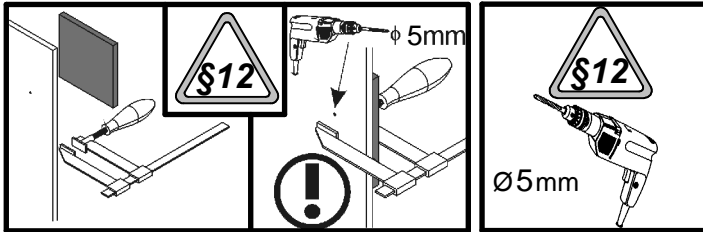
VIII



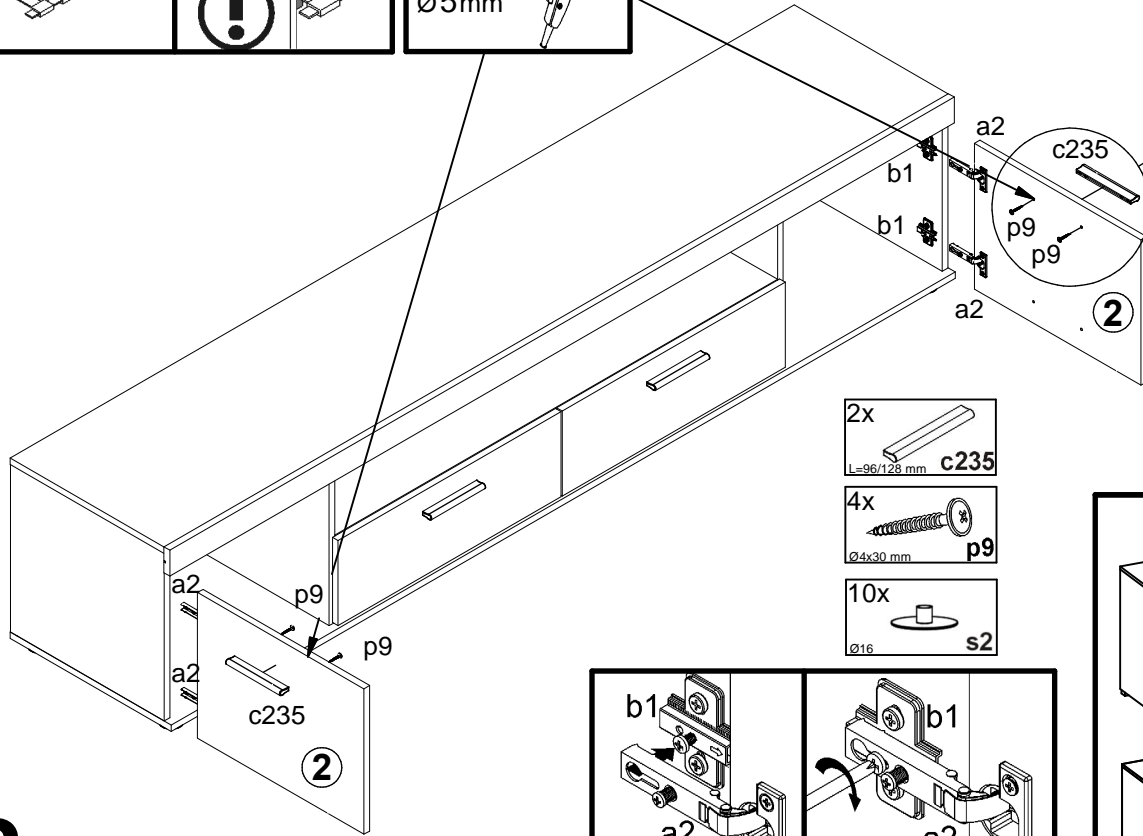
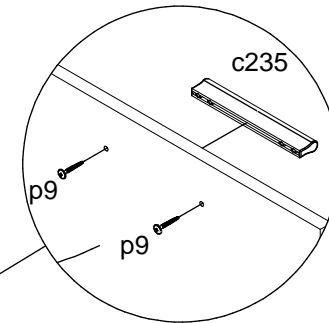
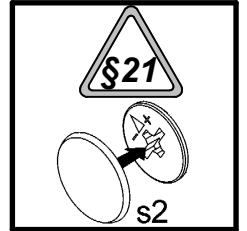


11

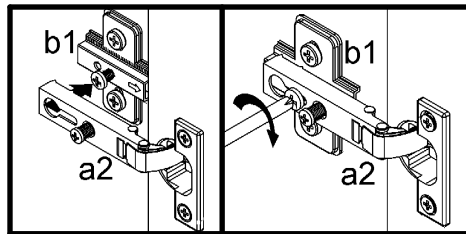




13



- 2x  
L=96/128 mm c235
- 4x  
Ø4x30 mm p9
- 10x  
Ø16 s2



12

