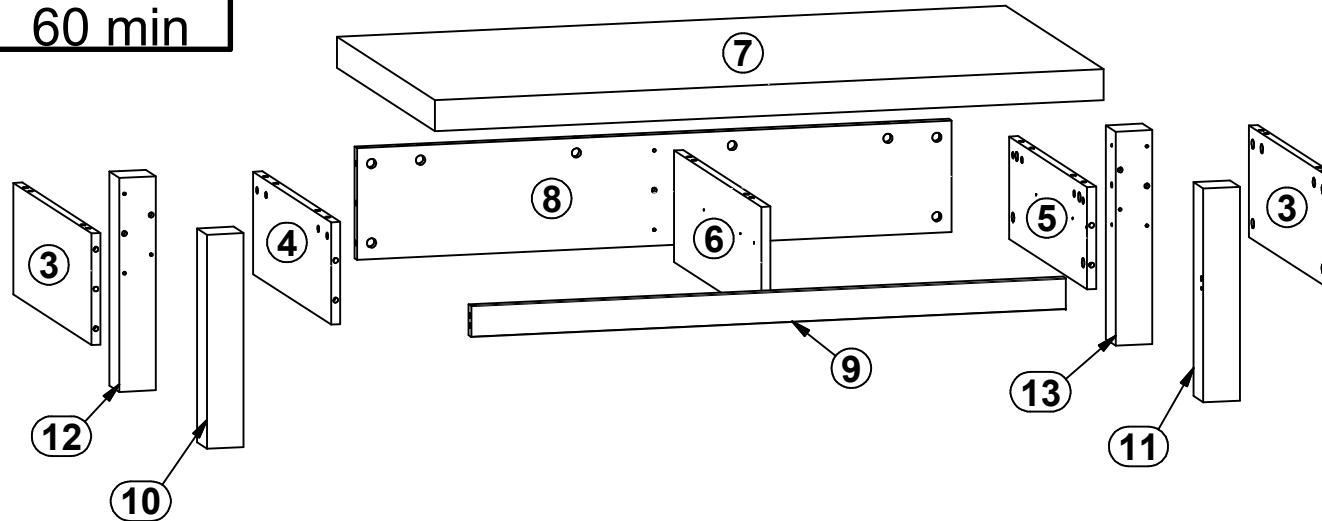
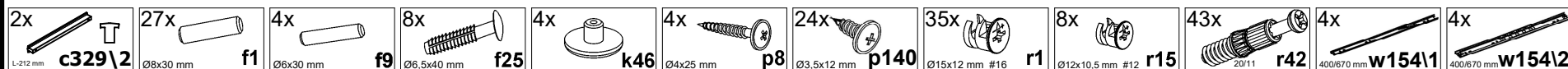
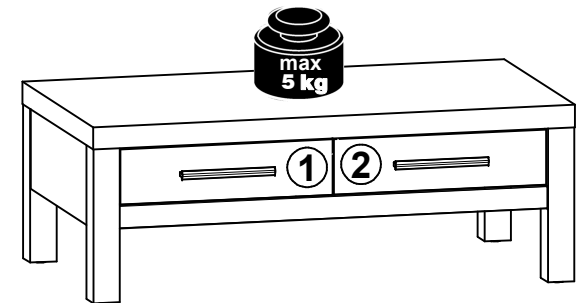
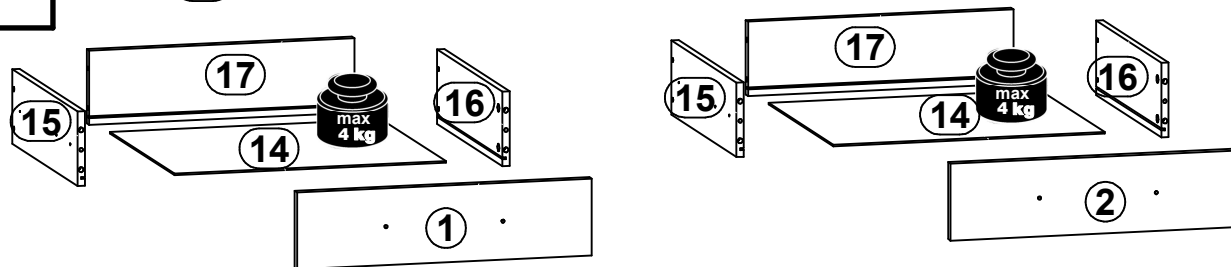
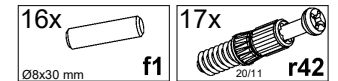
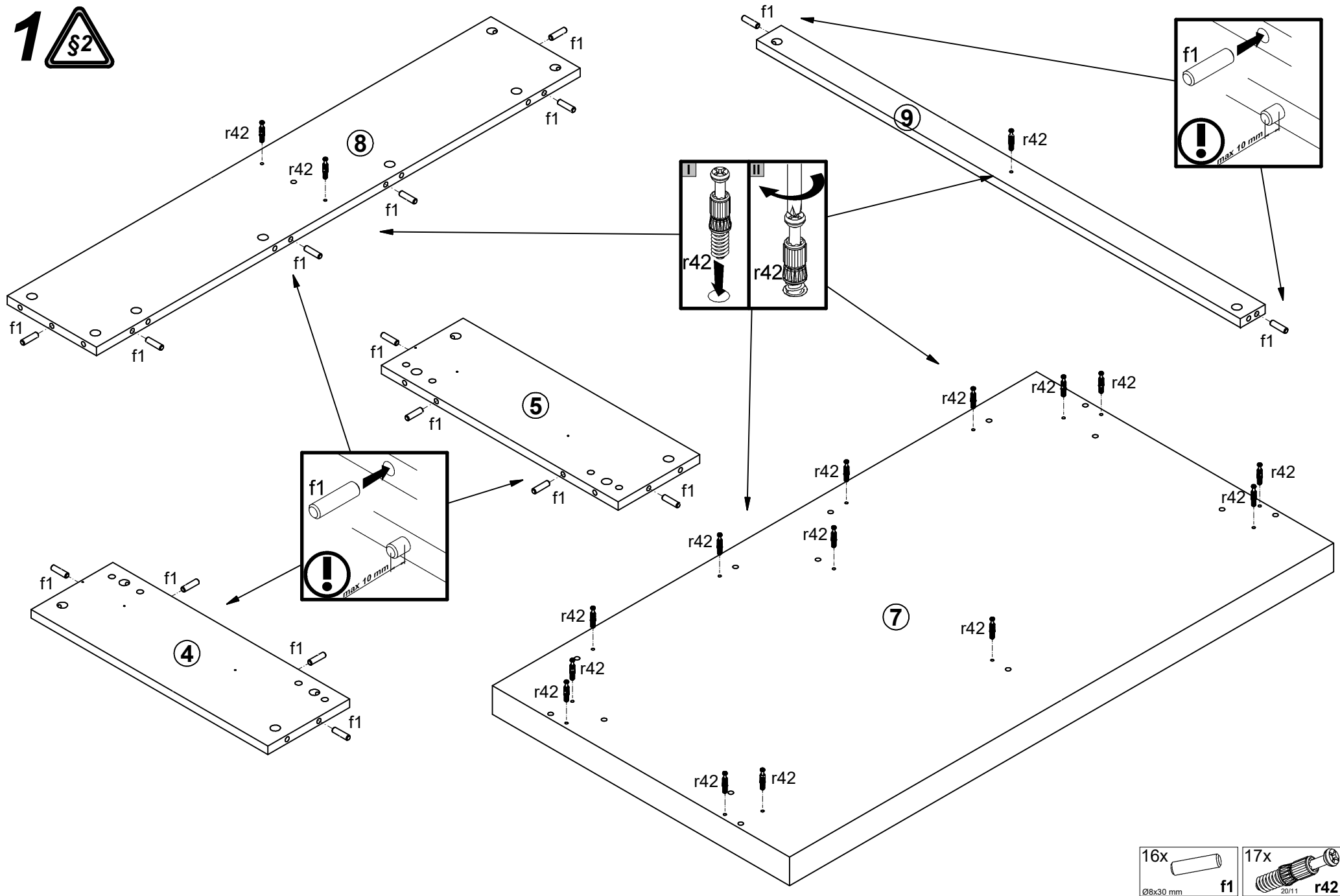


60 min

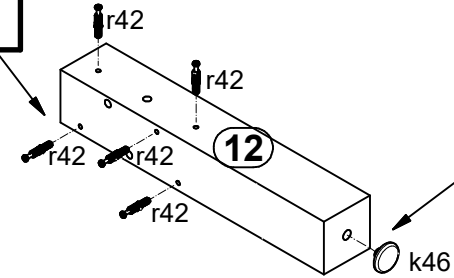
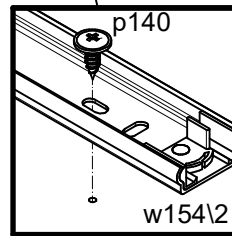
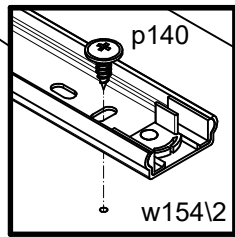
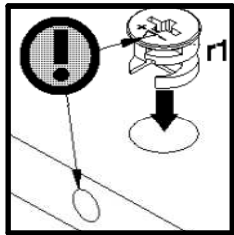
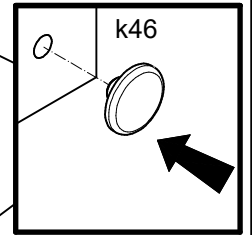
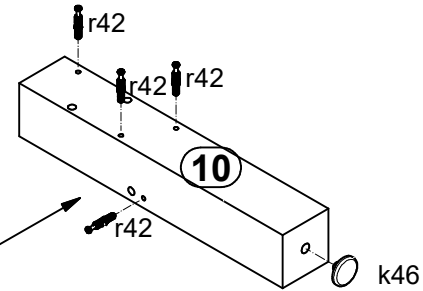
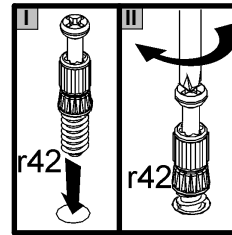
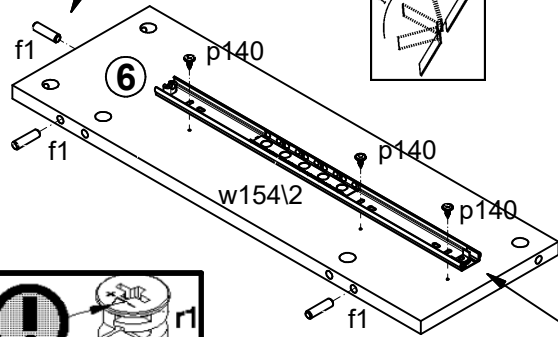
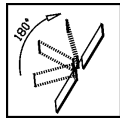
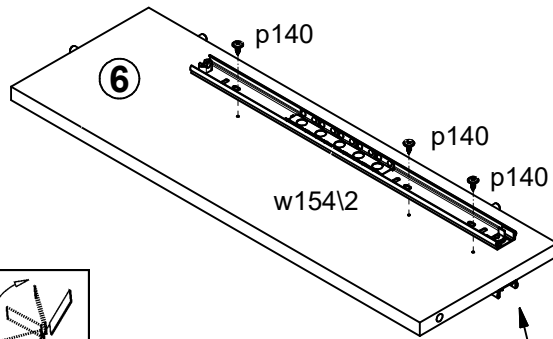
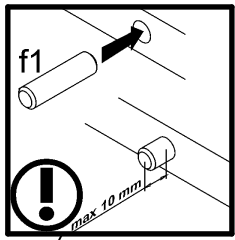


| A  | B         | C (mm) |     | D   |
|----|-----------|--------|-----|-----|
| 1  | S365-0011 | 484    | 124 | 1/1 |
| 2  | S365-0012 | 484    | 124 | 1/1 |
| 3  | S365-1016 | 478    | 180 | 1/1 |
| 4  | S365-1017 | 478    | 165 | 1/1 |
| 5  | S365-1018 | 478    | 165 | 1/1 |
| 6  | S365-1019 | 535    | 180 | 1/1 |
| 7  | S365-2005 | 1099   | 600 | 1/1 |
| 8  | S365-4006 | 977    | 180 | 1/1 |
| 9  | S365-5022 | 977    | 50  | 1/1 |
| 10 | S365-5023 | 345    | 60  | 1/1 |
| 11 | S365-5024 | 345    | 60  | 1/1 |
| 12 | S365-5025 | 345    | 60  | 1/1 |
| 13 | S365-5026 | 345    | 60  | 1/1 |
| 14 | S365-9005 | 446    | 396 | 1/1 |
| 15 | ZK1-513   | 400    | 120 | 1/1 |
| 16 | ZK1-514   | 400    | 120 | 1/1 |
| 17 | ZS1-6573  | 436    | 120 | 1/1 |

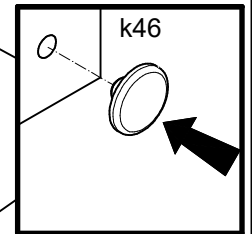
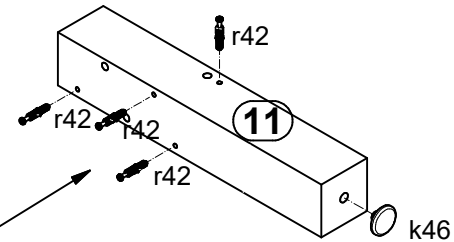
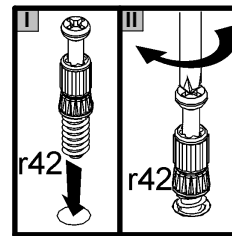
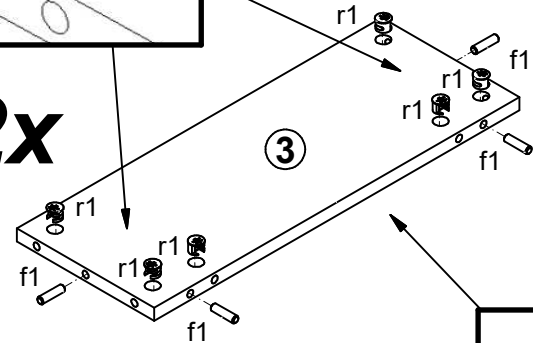




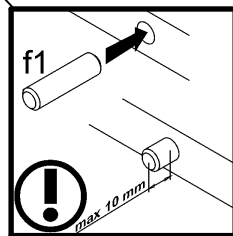
2



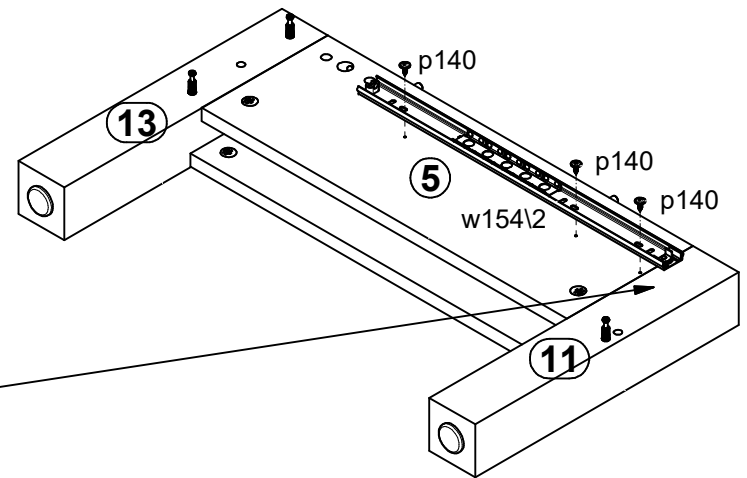
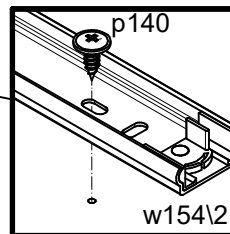
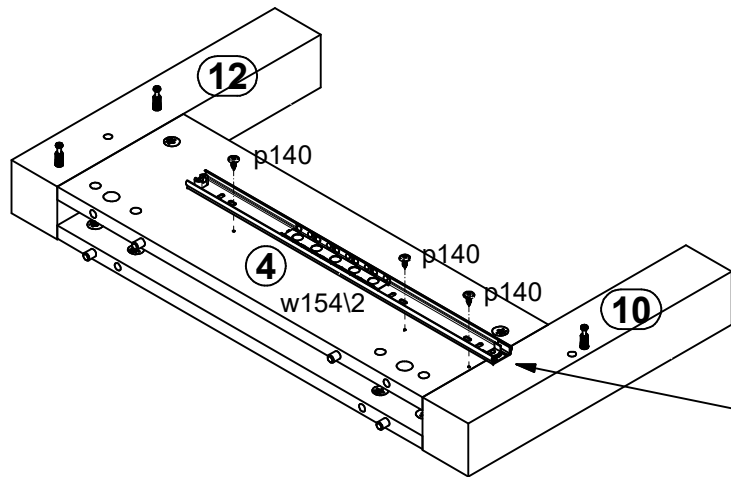
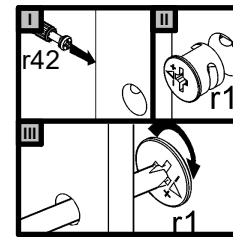
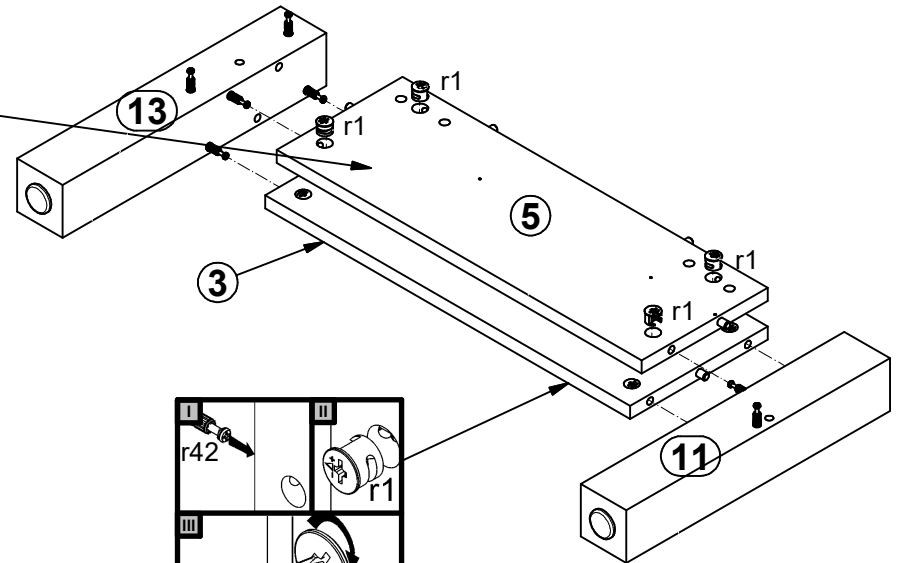
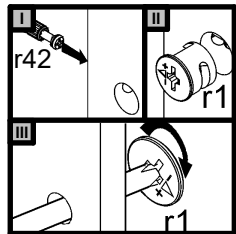
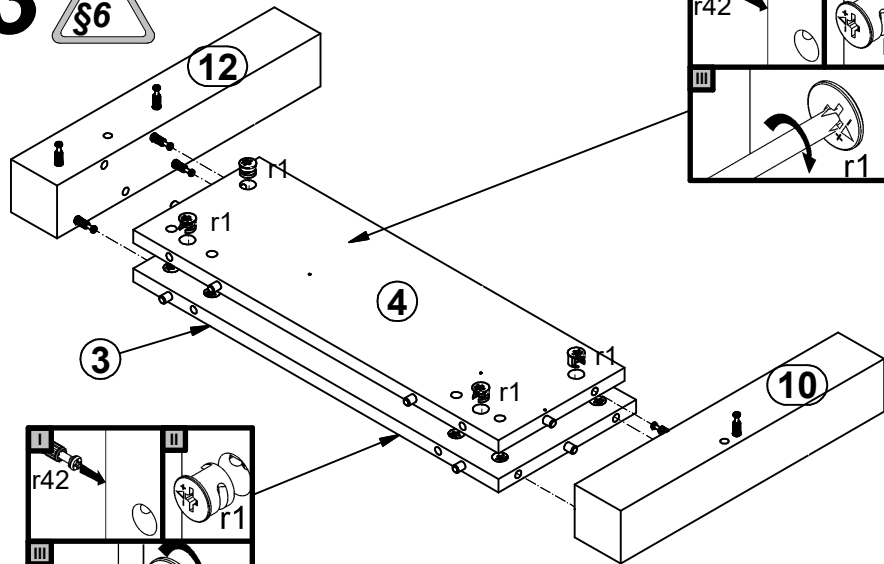
2x



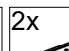


|                            |                     |                            |
|----------------------------|---------------------|----------------------------|
| 11x<br>Ø8x30 mm<br>f1      | 4x<br>k46           | 6x<br>Ø3,5x12 mm<br>p140   |
| 12x<br>Ø15x12 mm #16<br>r1 | 18x<br>20/11<br>r42 | 2x<br>400/670 mm<br>w154\2 |

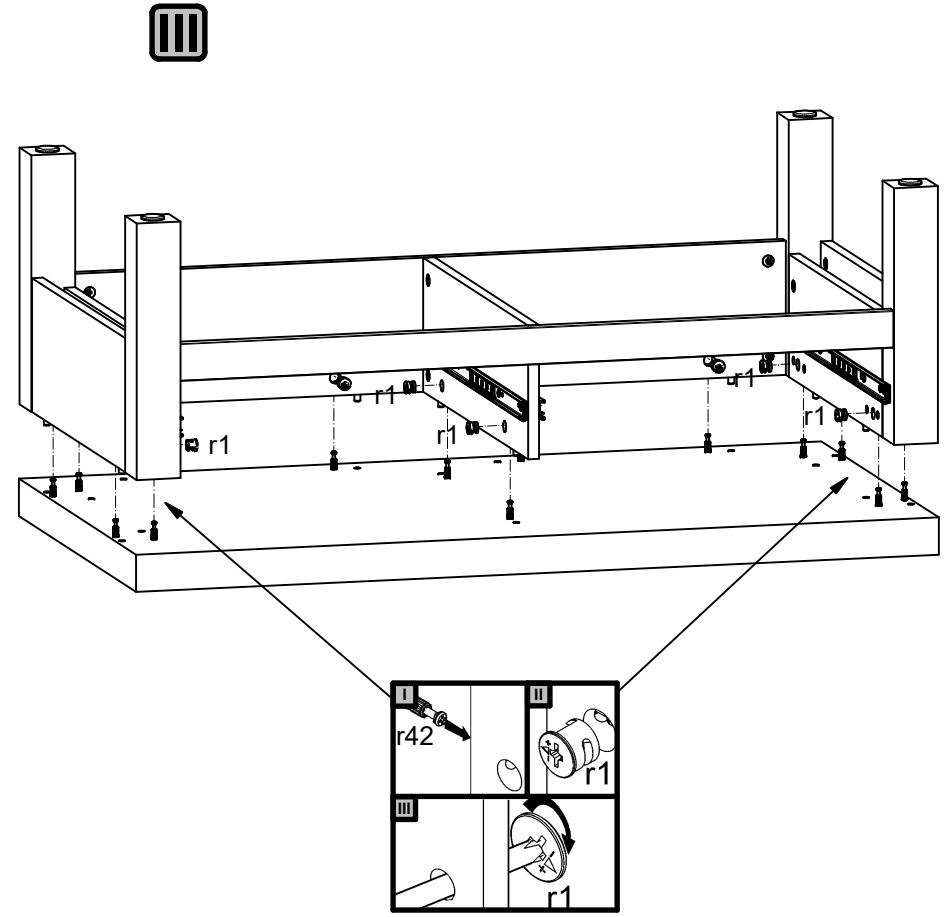
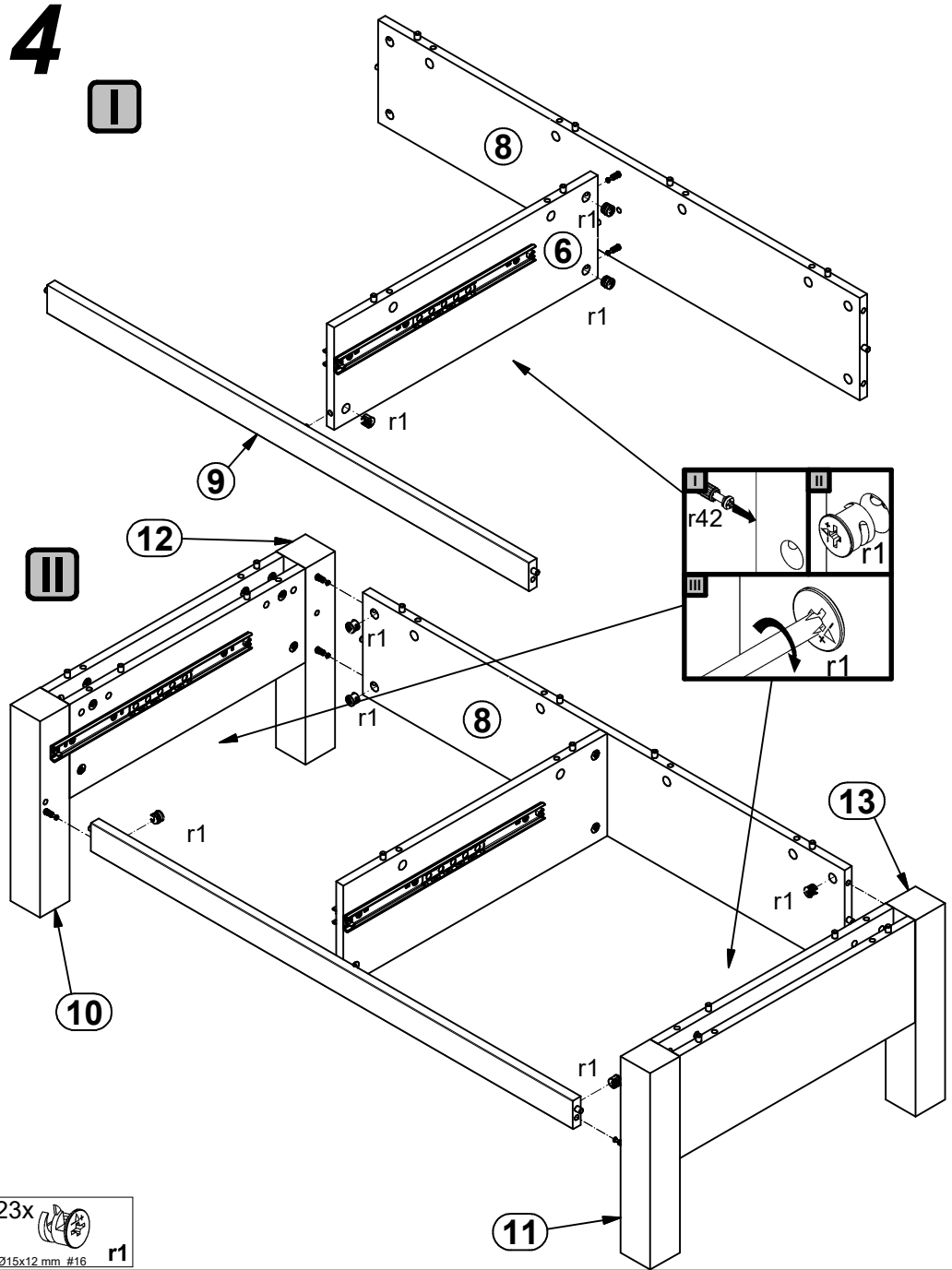



3 



- 6x  p140 Ø3.5x12 mm
- 8x  r1 Ø15x12 mm #16
- 2x  w154\2 400/670 mm

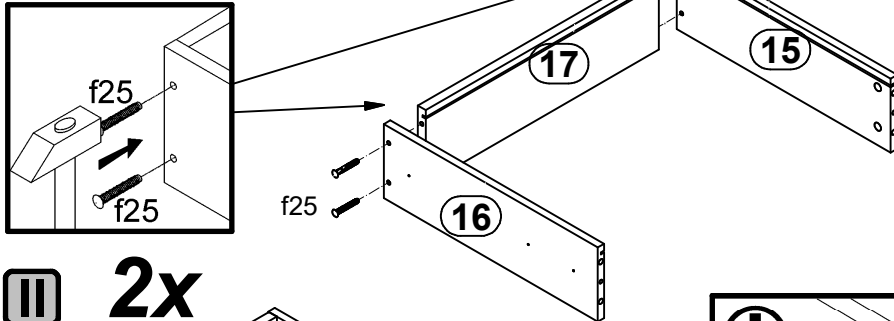
4



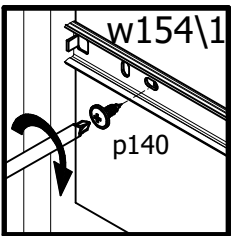
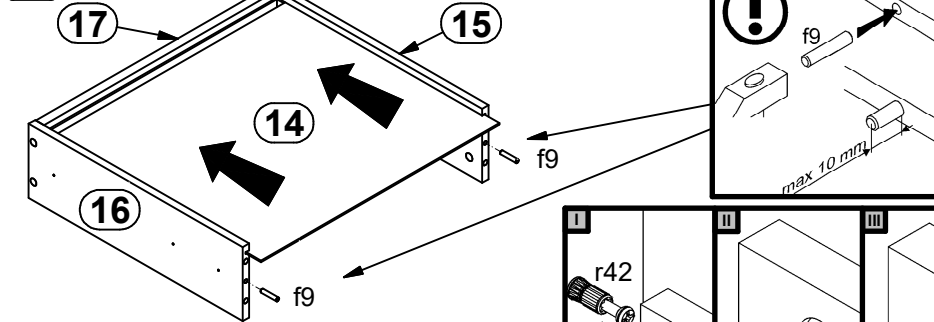
23x  r1  
Ø15x12 mm #16

5

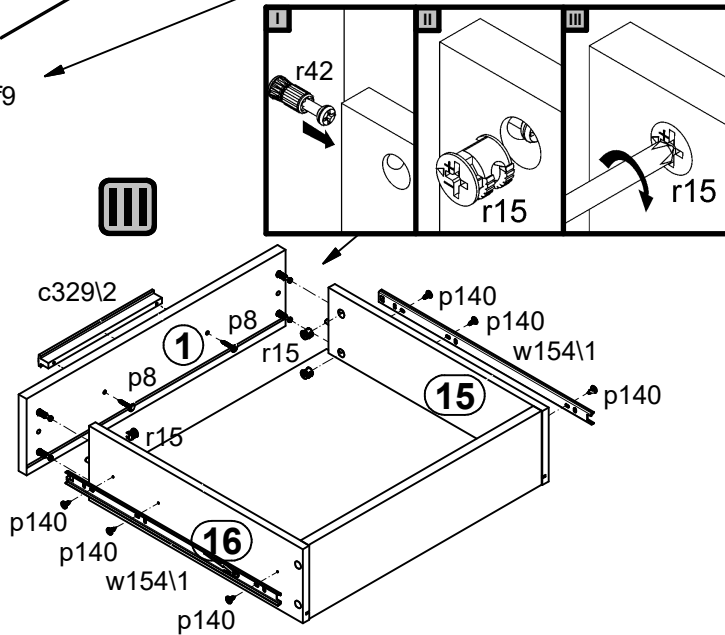
I 2x



II 2x

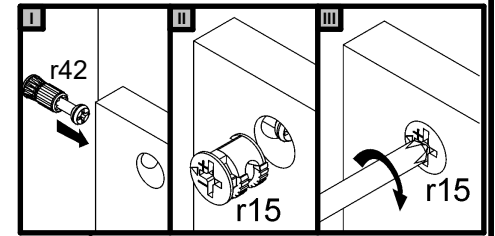
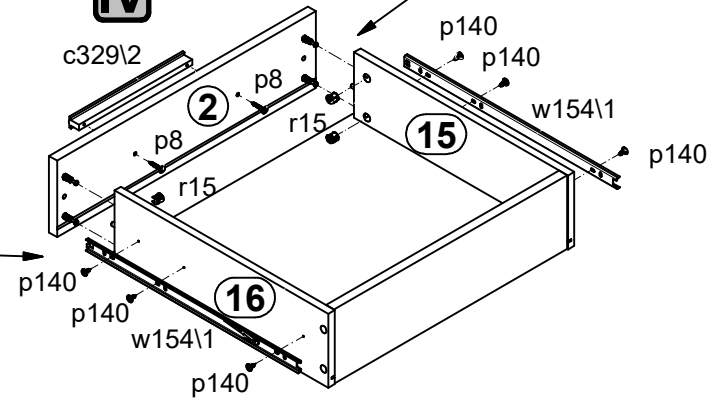


1x

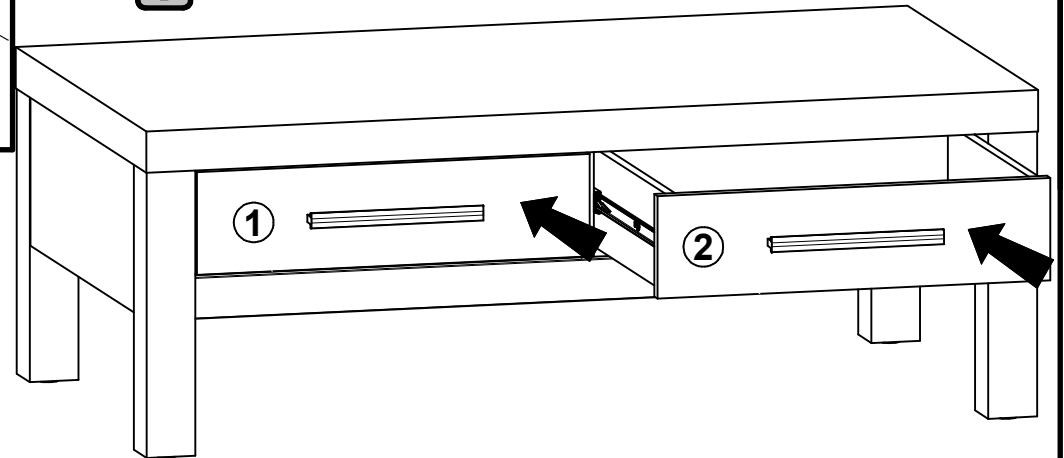


1x

IV



V



- 2x c329\2
- 4x f9
- 8x f25
- 4x p8
- 12x p140
- 8x r15
- 4x w154\1