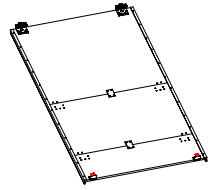
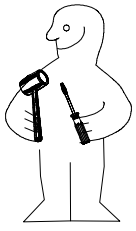
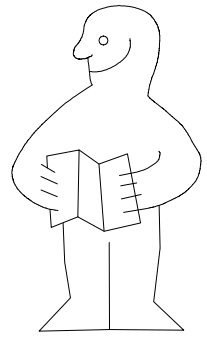
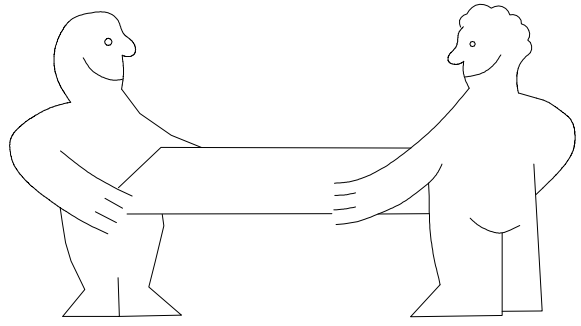
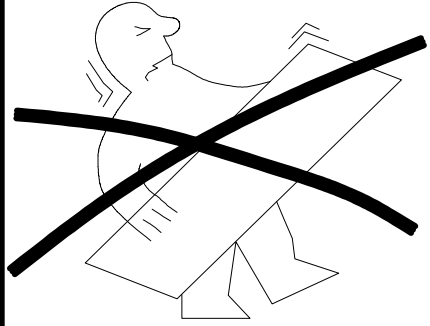
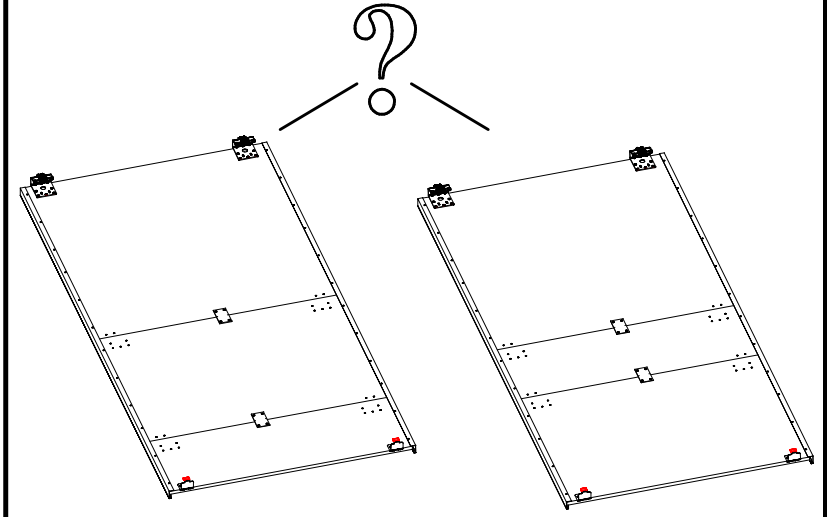
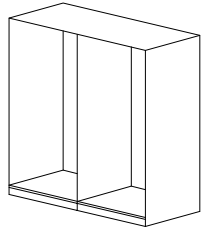
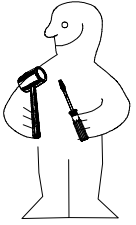


980853

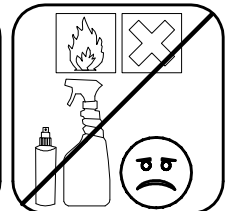
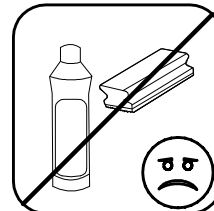
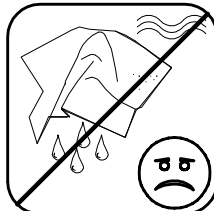
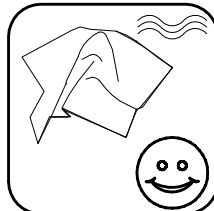
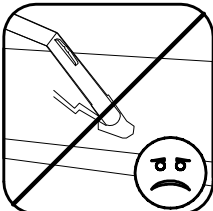
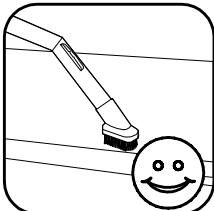
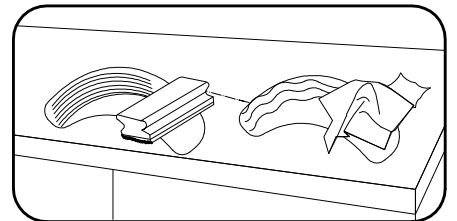
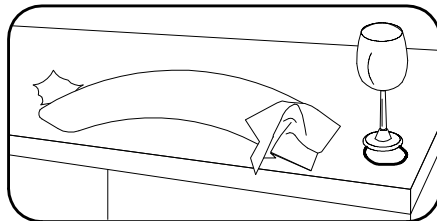
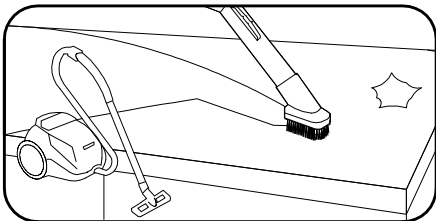
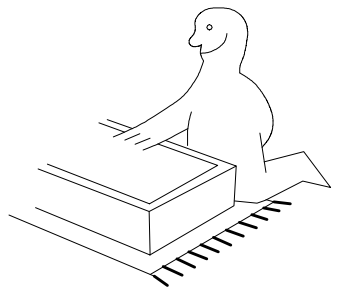
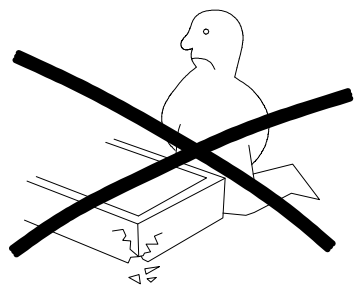
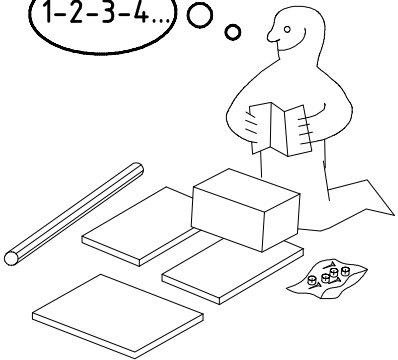
1.

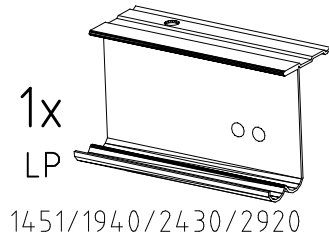
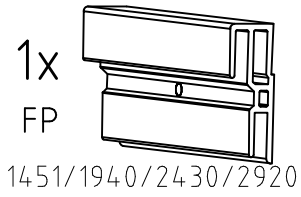


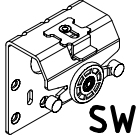
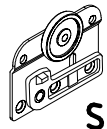
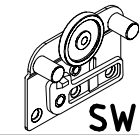
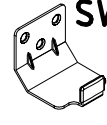
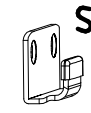
2.



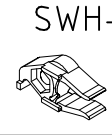
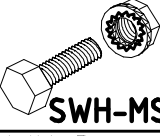



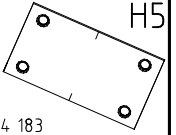

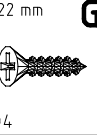
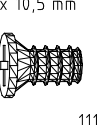
1-2-3-4... ○

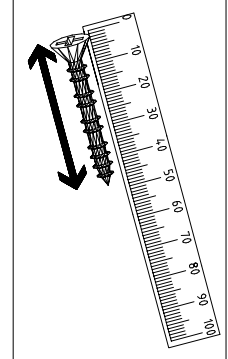
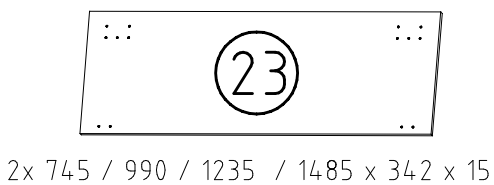
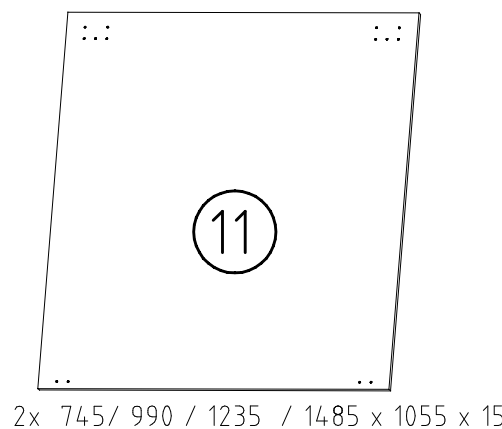
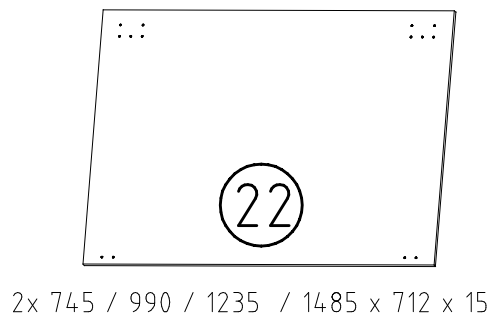
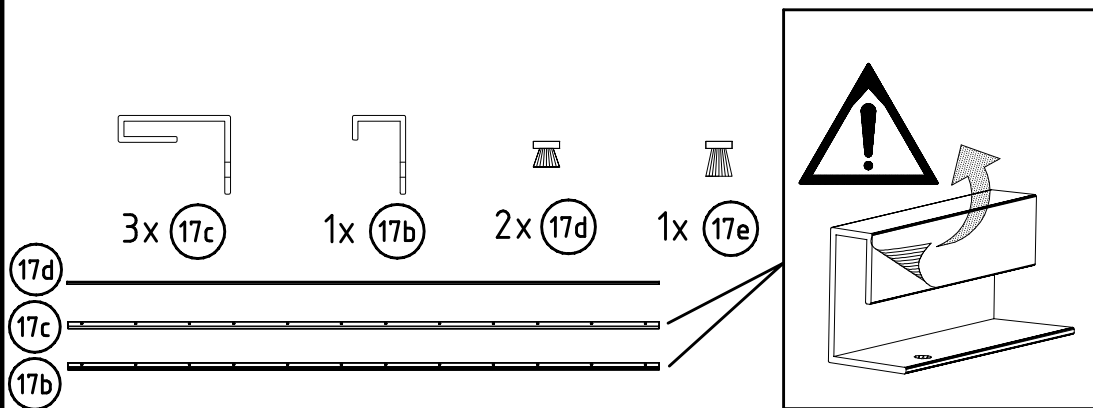
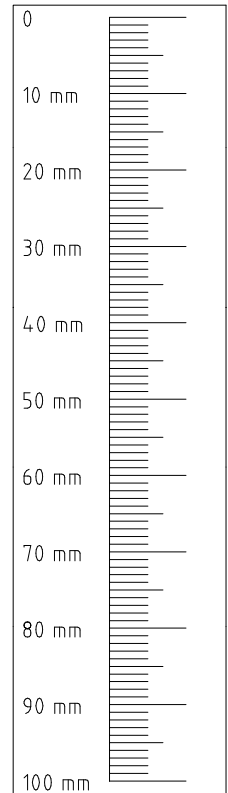
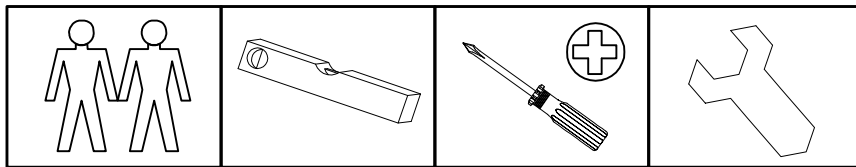




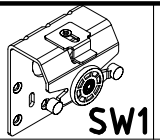
 SWH1	2x
 SWH2	1x
 SWH3	1x
 SWH4	2x
 SWH5	2x

 SWH-SKL	1x
 SWH-SKR	1x
 SWH-ST	2x
 SWH-MS	2x
 SWH-D	1x

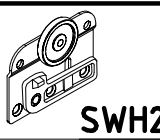
 H5 114 183	4x
 SP14 4 x 15mm 121 120	78x
 3,5 x 22 mm G24 121 004	10x
 M6,3 x 10,5 mm T2 111 030	24x



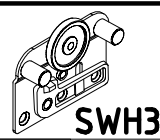
1



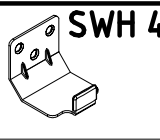
SW1



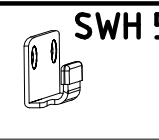
SWH2



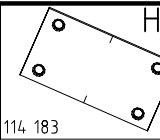
SWH3



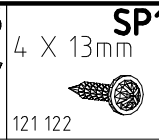
SWH 4



SWH 5



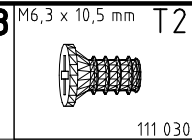
H5



SP13

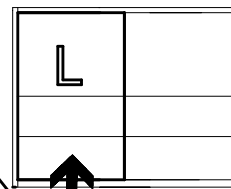
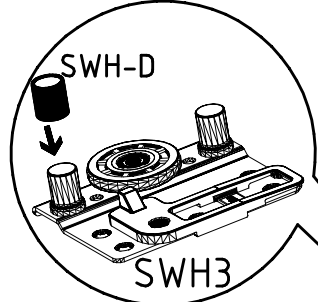
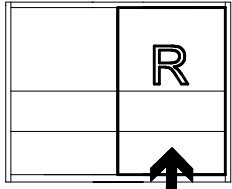
4 X 13mm

121 122

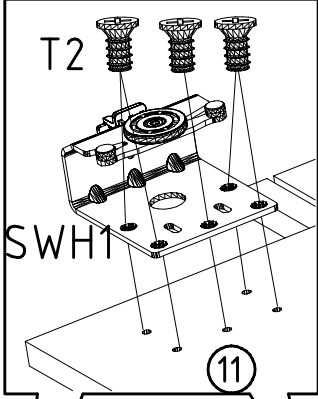


M6,3 x 10,5 mm T2

111 030



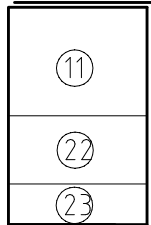
SWH-D



SWH1

T2

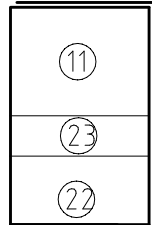
11



11

22

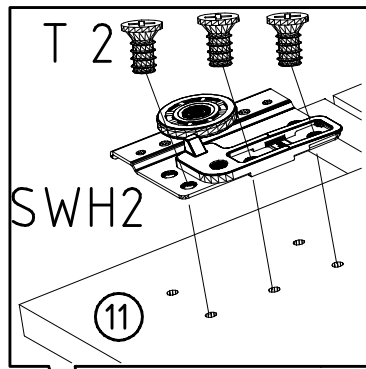
23



11

23

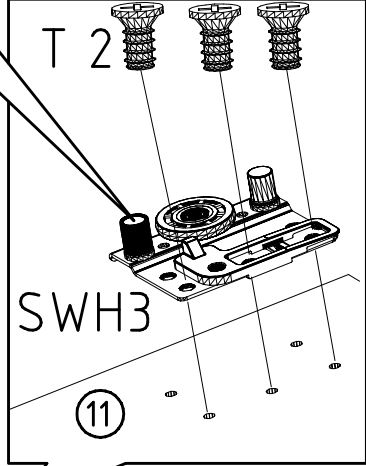
22



SWH2

T 2

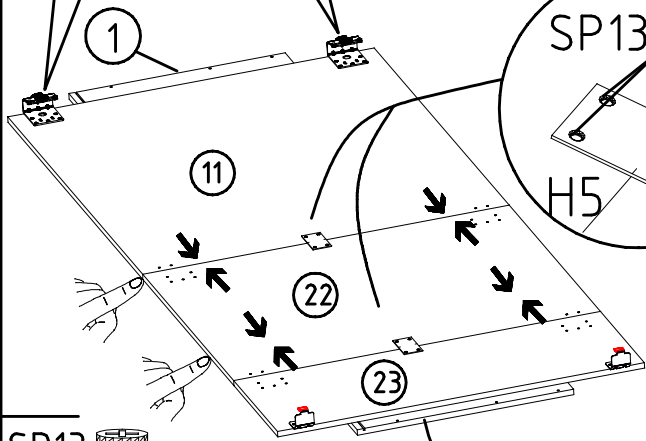
11



SWH3

T 2

11

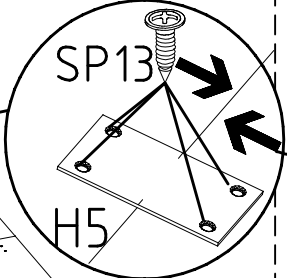


1

11

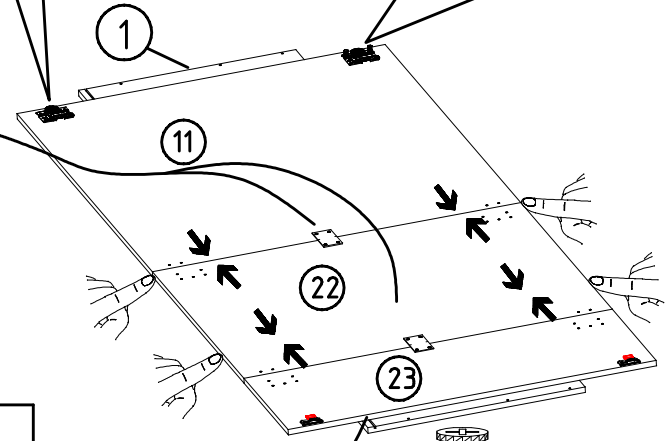
22

23



SP13

H5

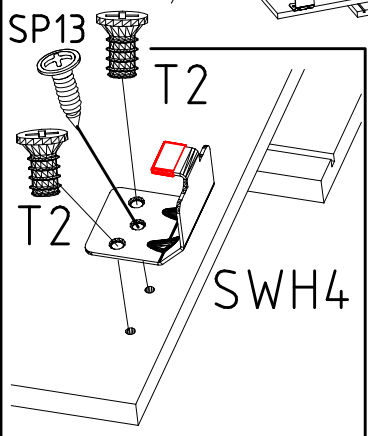


1

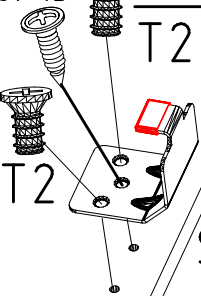
11

22

23



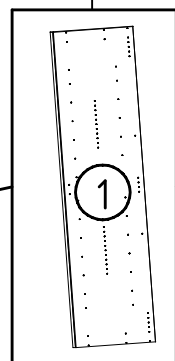
SP13



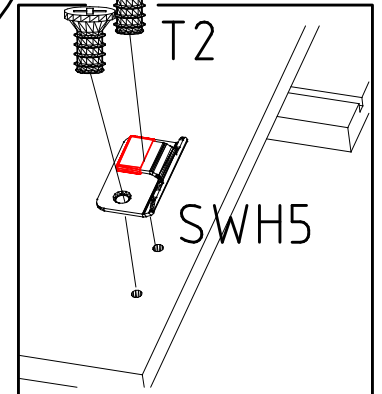
SWH4

T2

T2



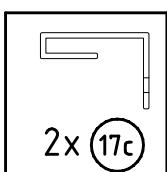
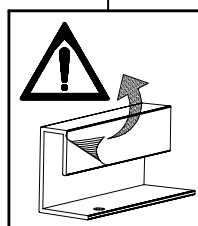
1



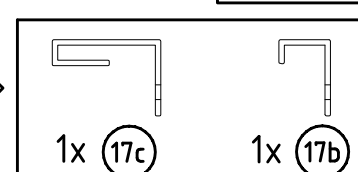
SWH5

T2

T2

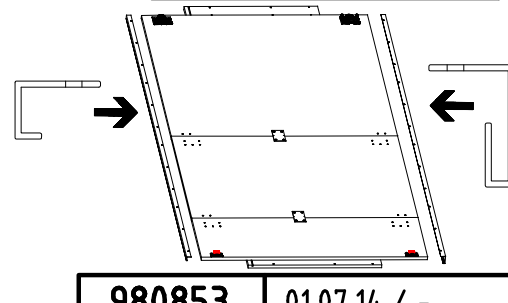
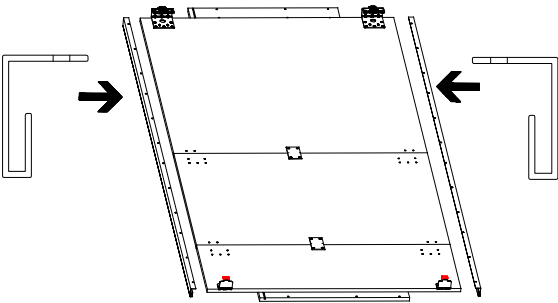


2x 17c



1x 17c

1x 17b



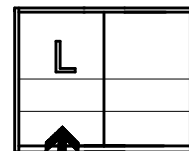
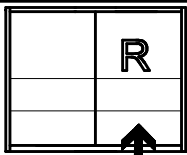
980853

01.07.14 / -

07 14

3/4

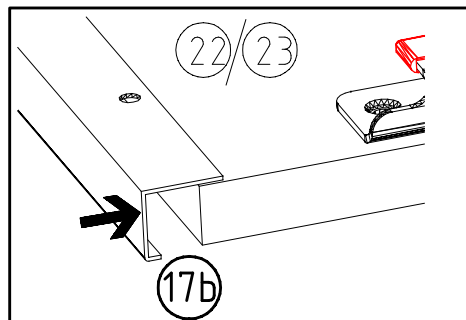
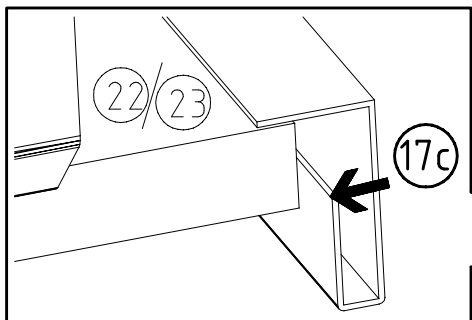
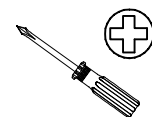
2



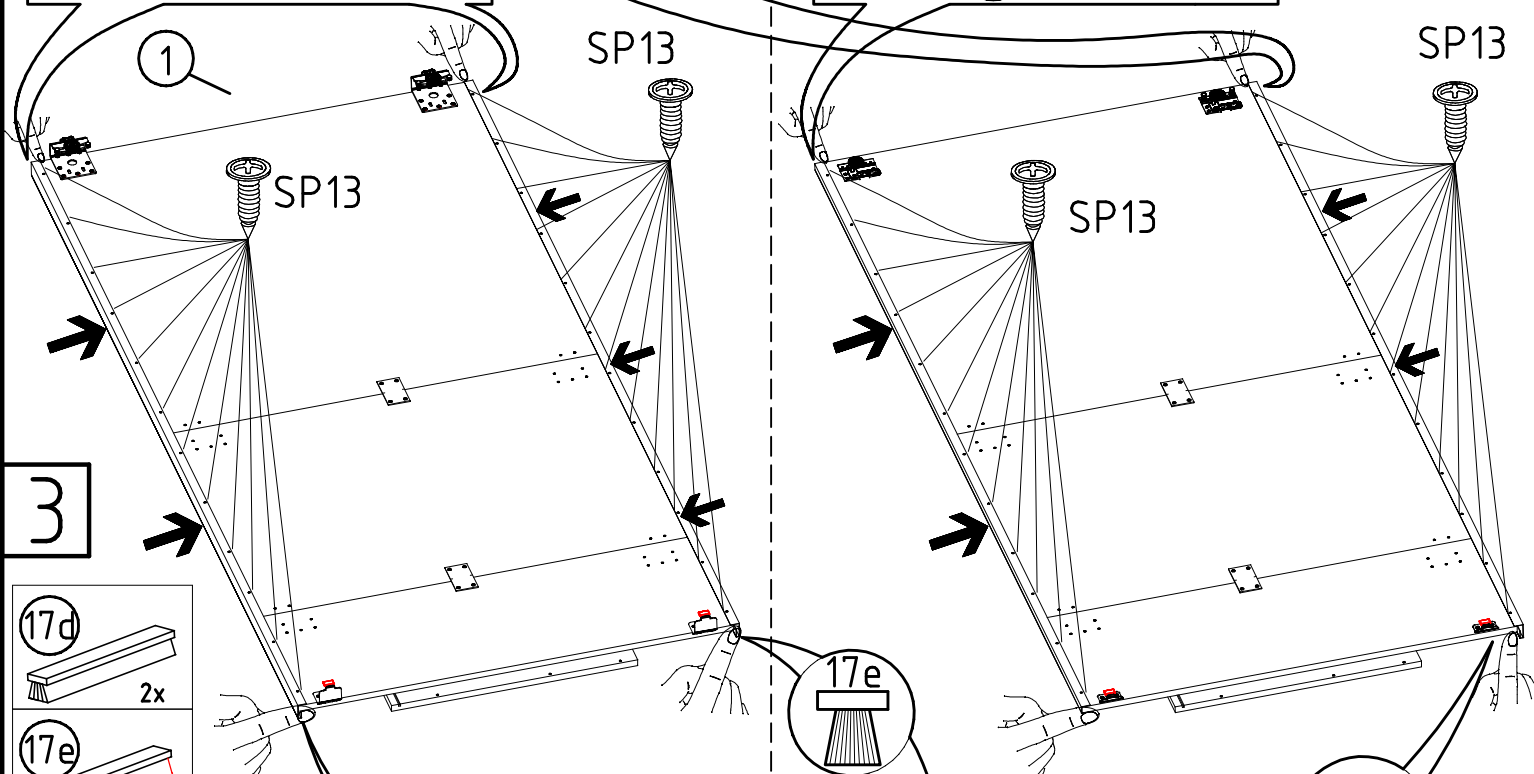
SP13

4 X 13mm

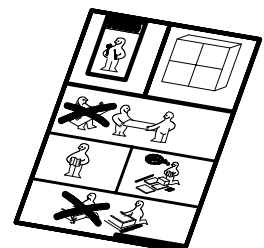
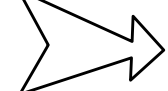
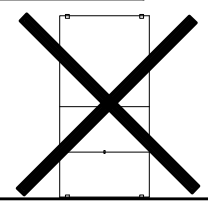
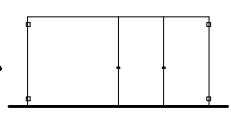
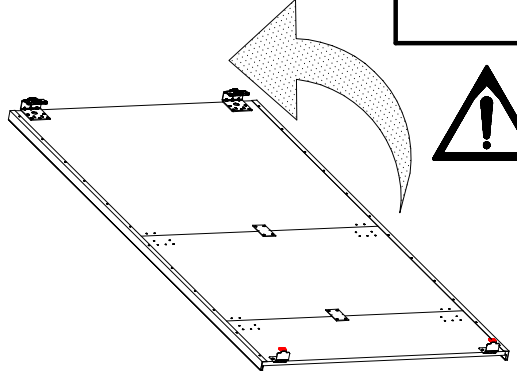
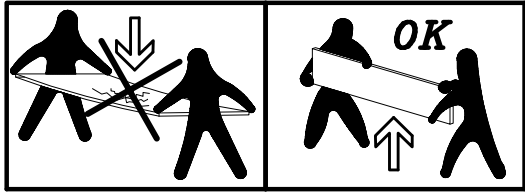
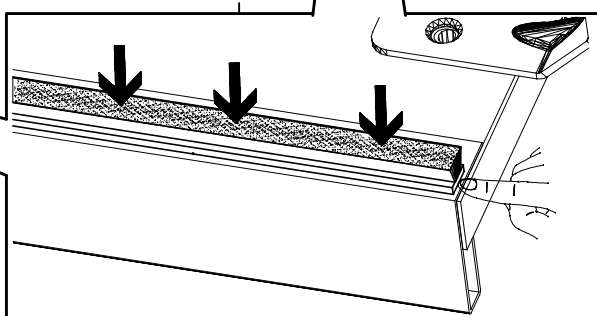
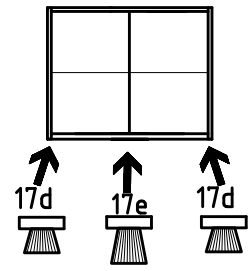
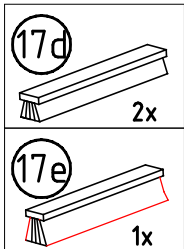
121 122



1



3



980853

01.07.14 / -

07 14

4/4