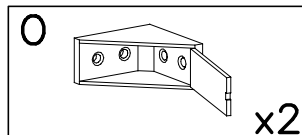
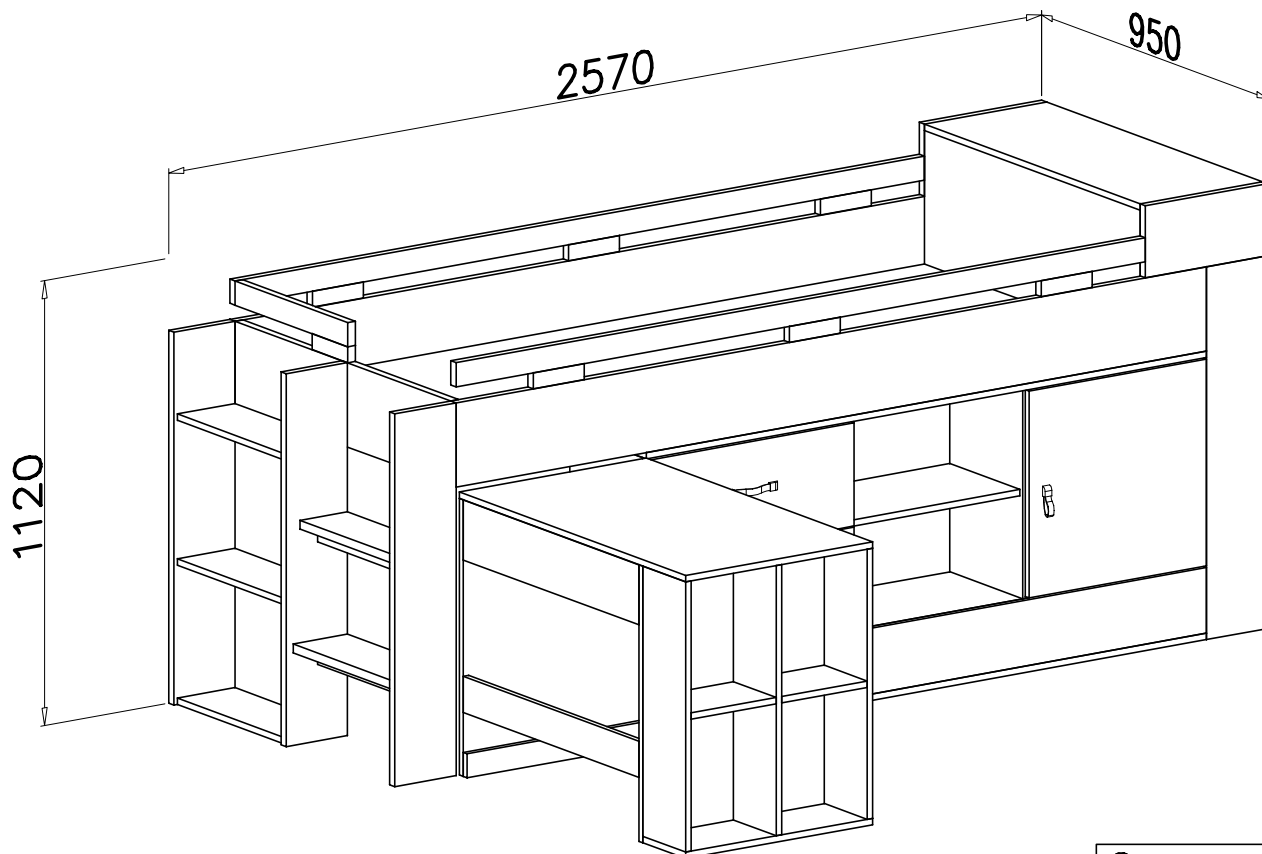
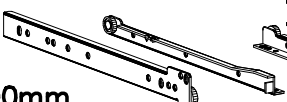
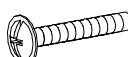

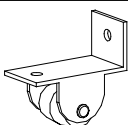

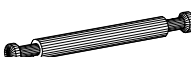
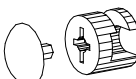
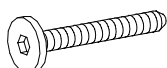

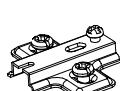
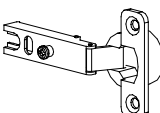
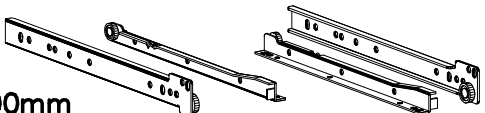

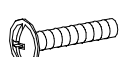
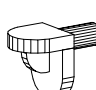
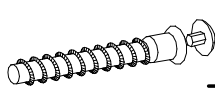
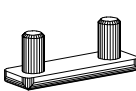
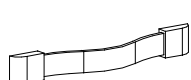



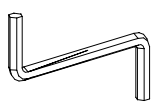


system KOMI

KM 16



<p>L  400mm x1</p>	<p>I  M4 x 22 x1</p>	<p>S  x4</p>	<p>T  x2</p>
<p>K  6 x 13 x16</p>	<p>H  x8</p>	<p>R  x16</p>	<p>W  M6 x 40 x3</p>
<p>U  x1</p>	<p>C  x2</p>	<p>D  x2</p>	<p>N  300mm x3</p>
<p>E  3 x 20 x100</p>	<p>J  M4 x 20 x6</p>	<p>P  x8</p>	<p>A  x30</p>
<p>G  x16</p>	<p>L  x3</p>	<p>B  x252</p>	<p>Y  KLEJ x1</p>
			<p>F  4 x 16 x48</p>
			<p>Z  x1</p>