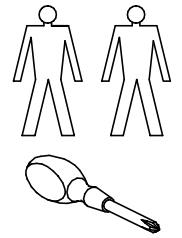
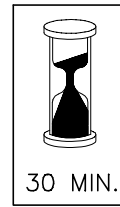
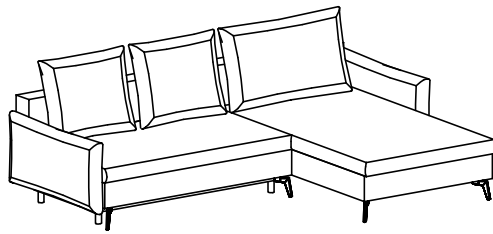


FIRA



A - 1 St.



B - 1 St.



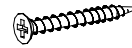
C - 2 St.



D - 1 St.



E - 4 St.
H=17,5cm



F - 16 St.
5x25mm

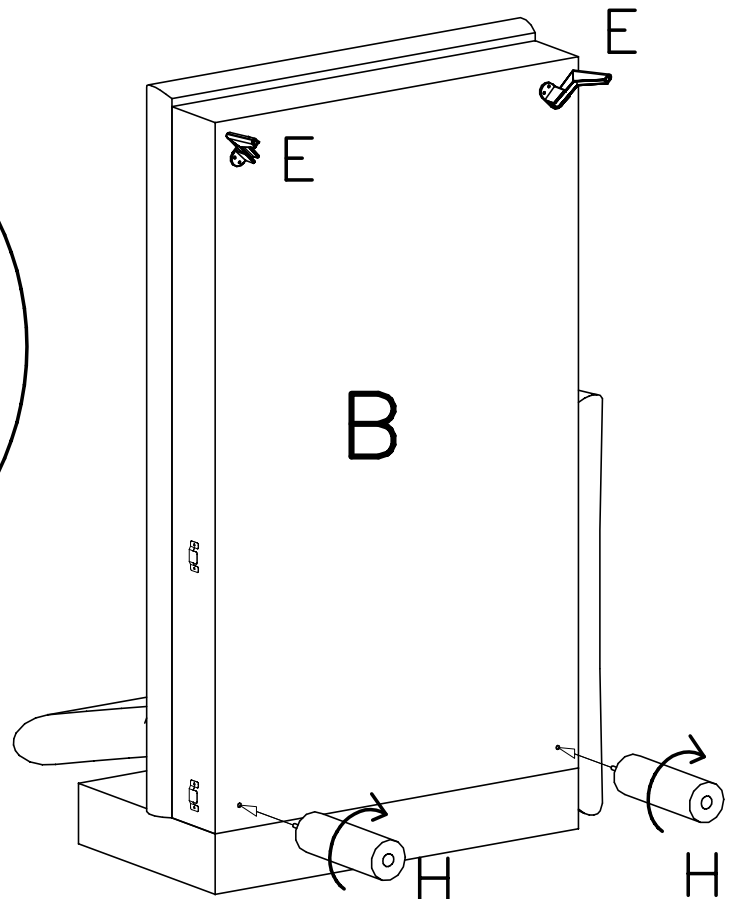
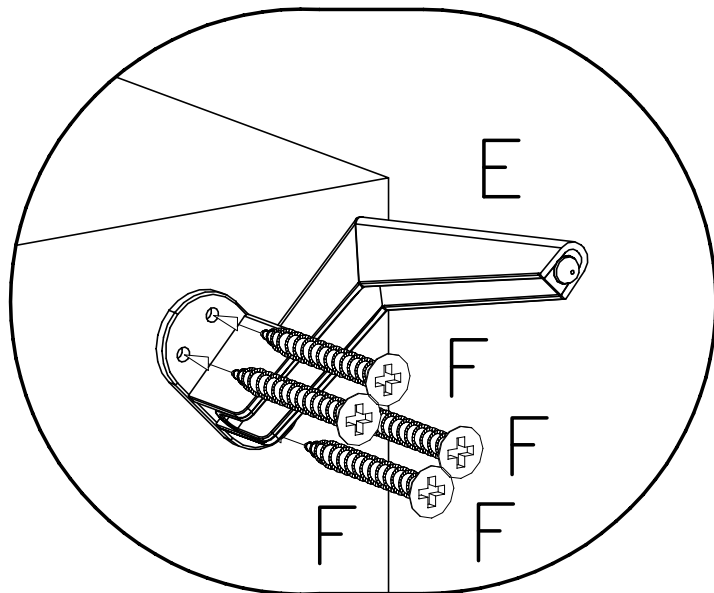
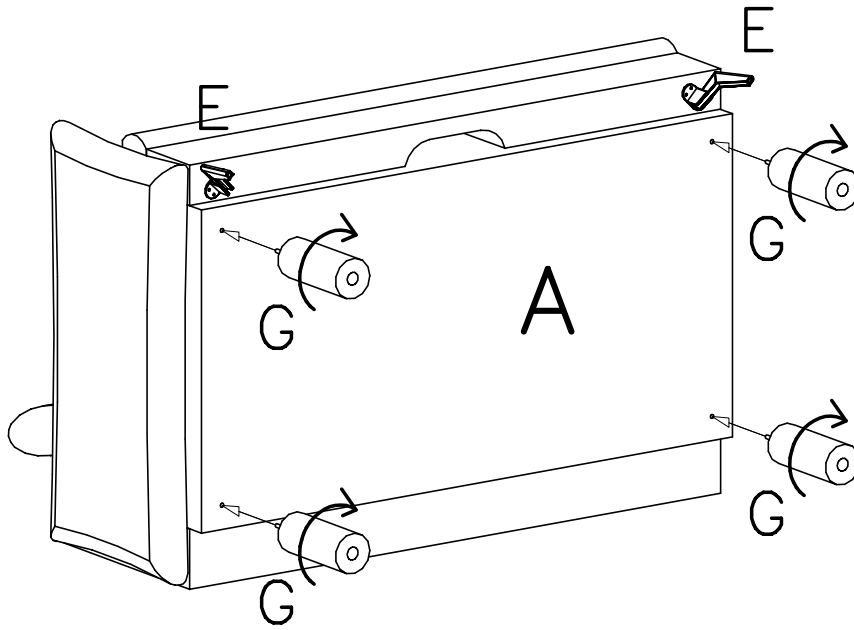


G - 4 St.
H=10cm

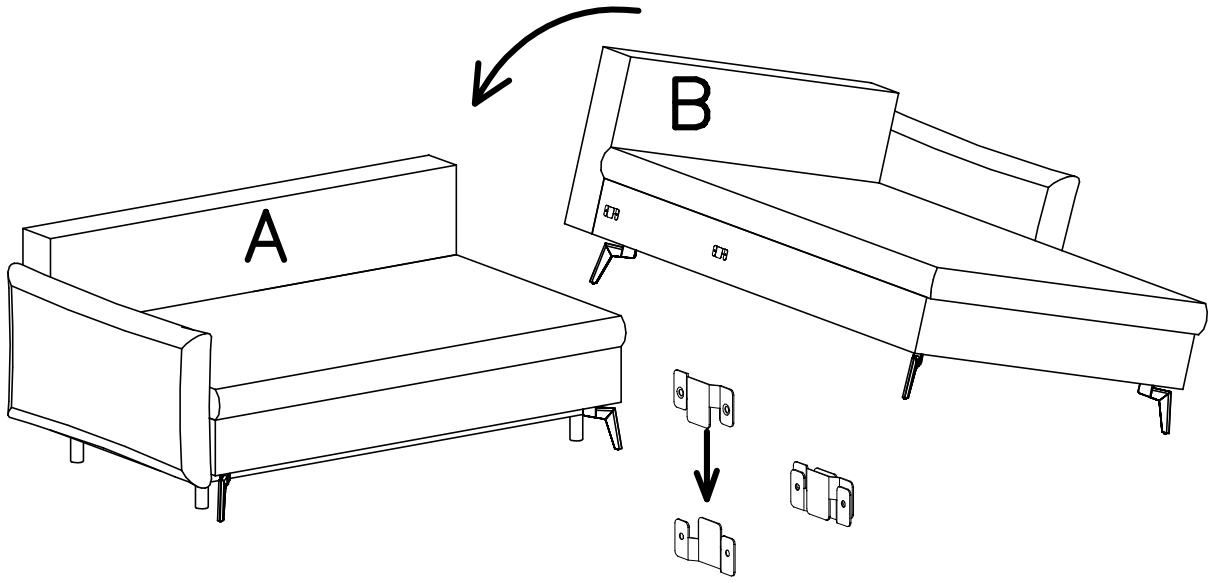


H - 2 St.
H=16cm

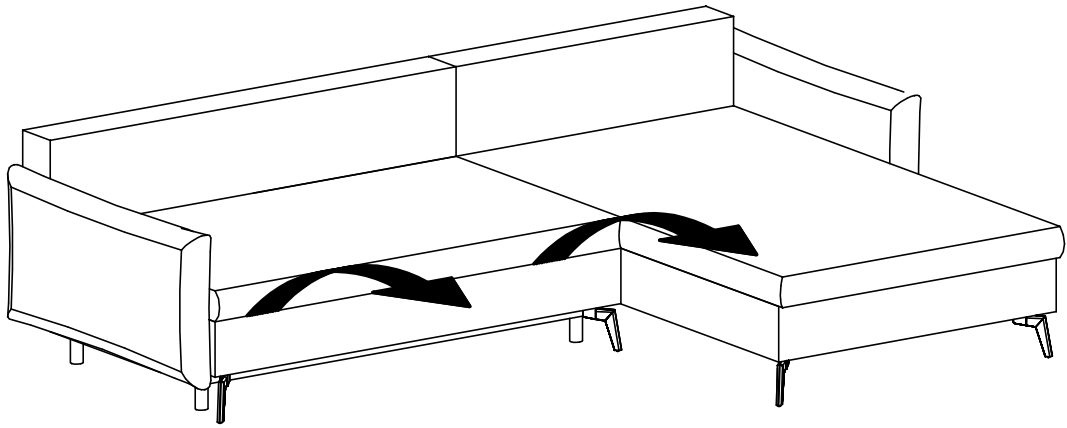
I



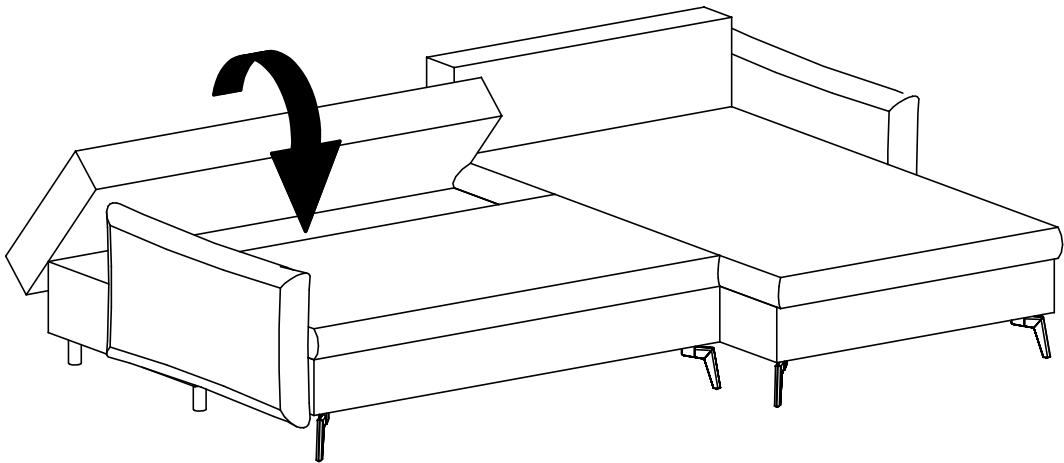
II



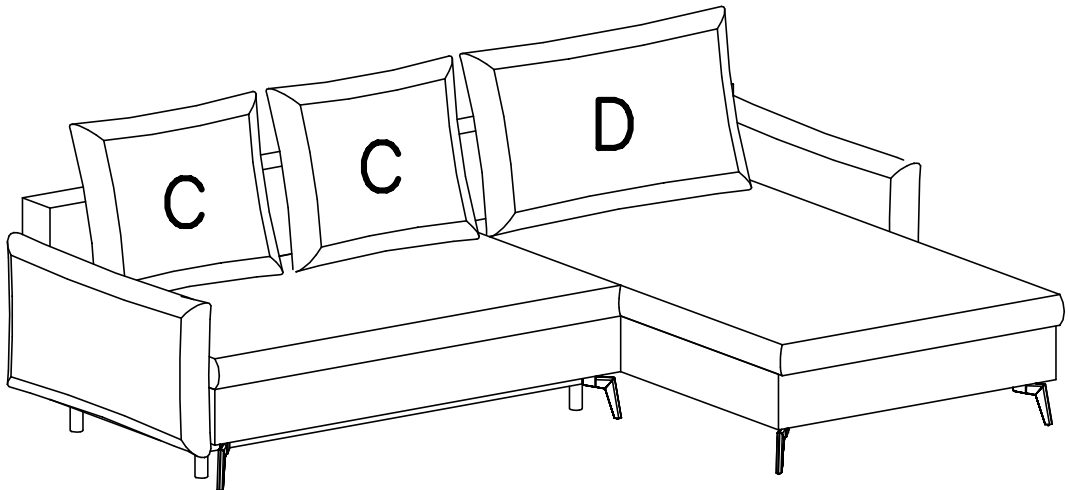
III



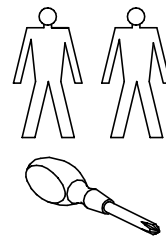
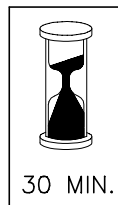
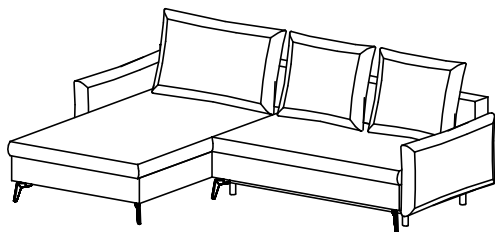
IV



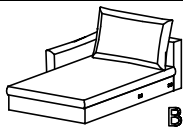
V



FIRA



A - 1 St.



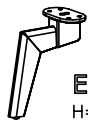
B - 1 St.



C - 2 St.



D - 1 St.



E - 4 St.
H=17,5cm



F - 16 St.
5x25mm

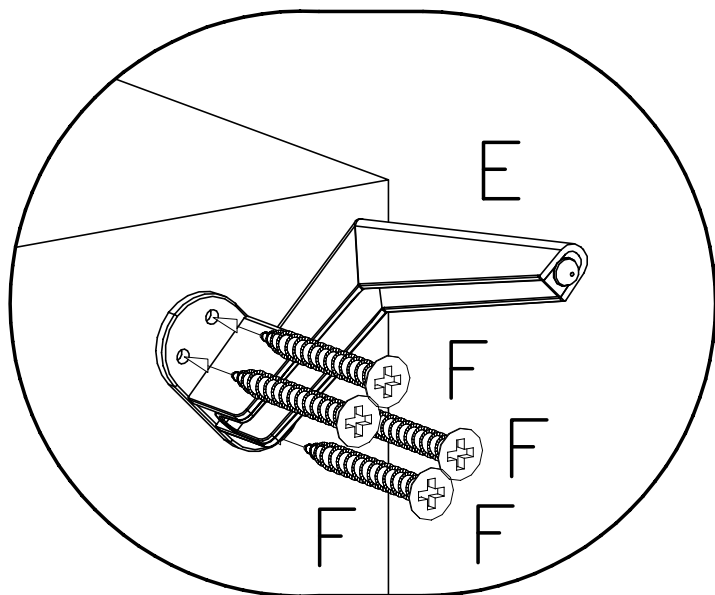
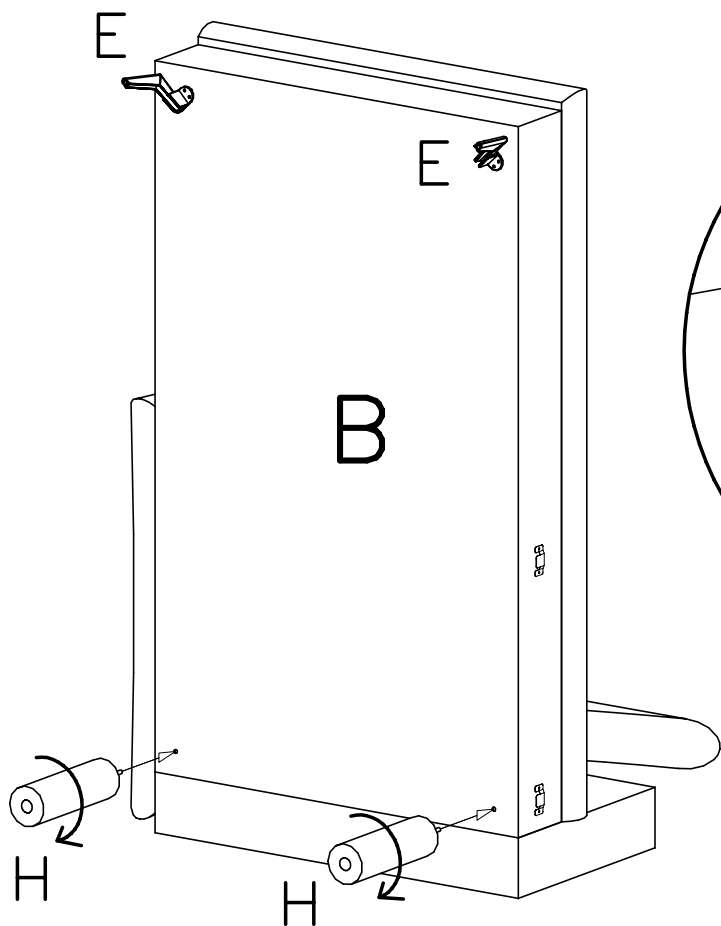
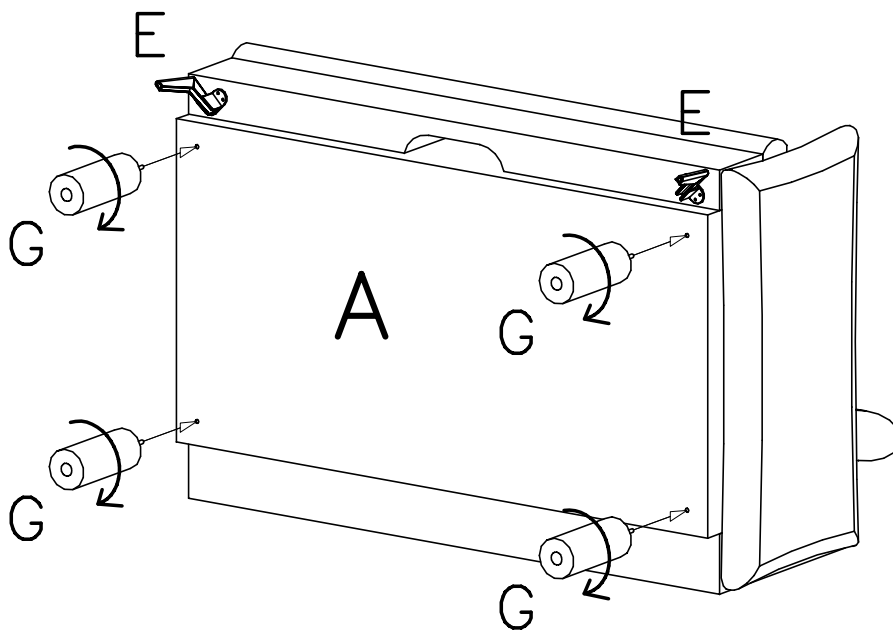


G - 4 St.
H=10cm

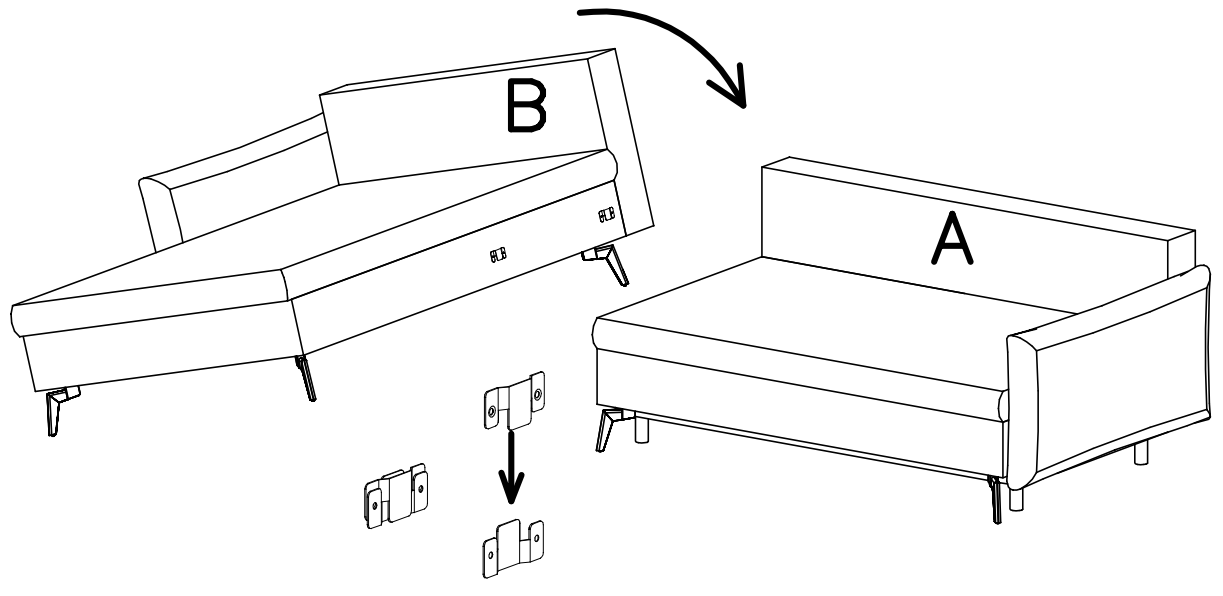


H - 2 St.
H=16cm

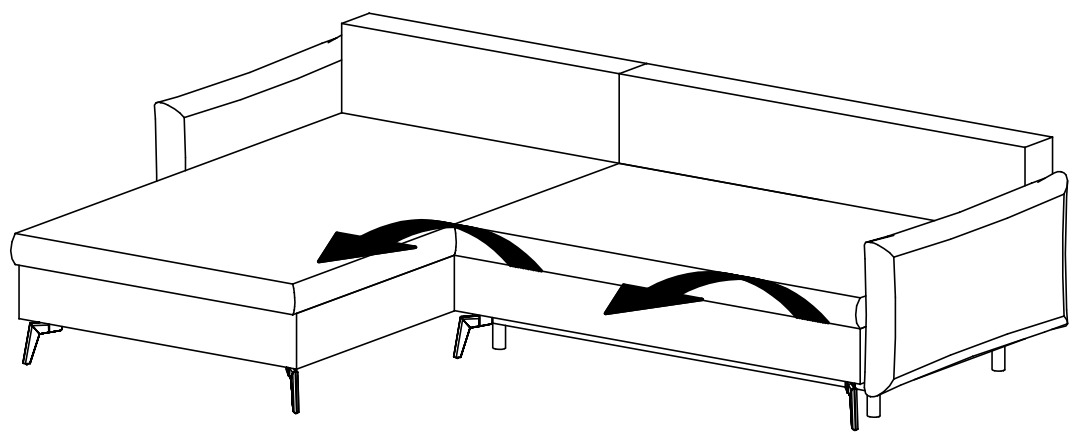
1



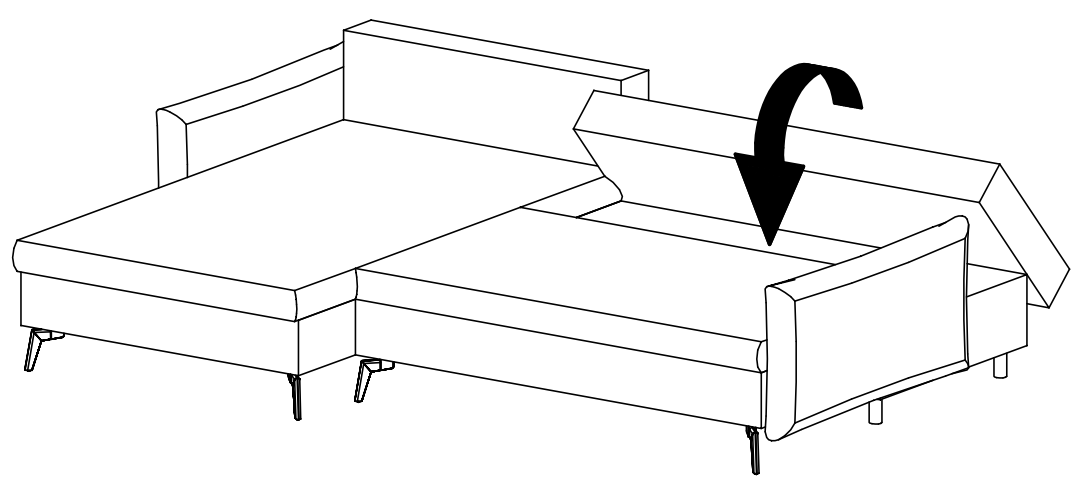
II



III



IV



V

