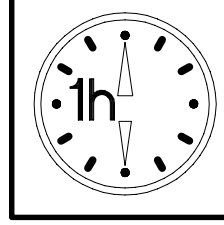
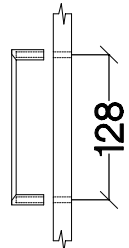
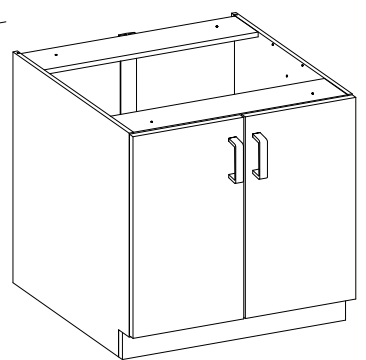
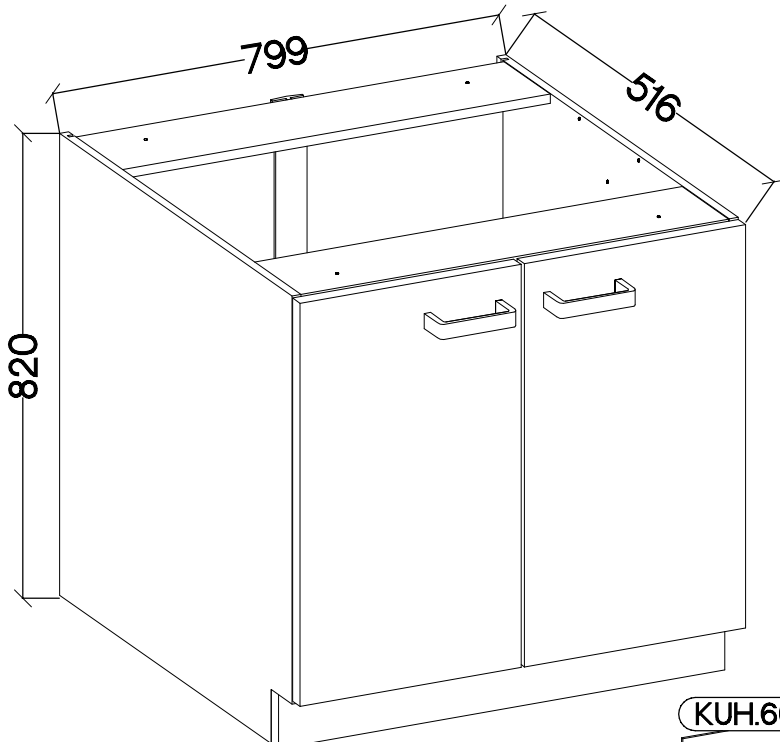
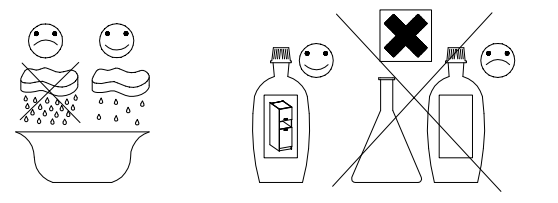
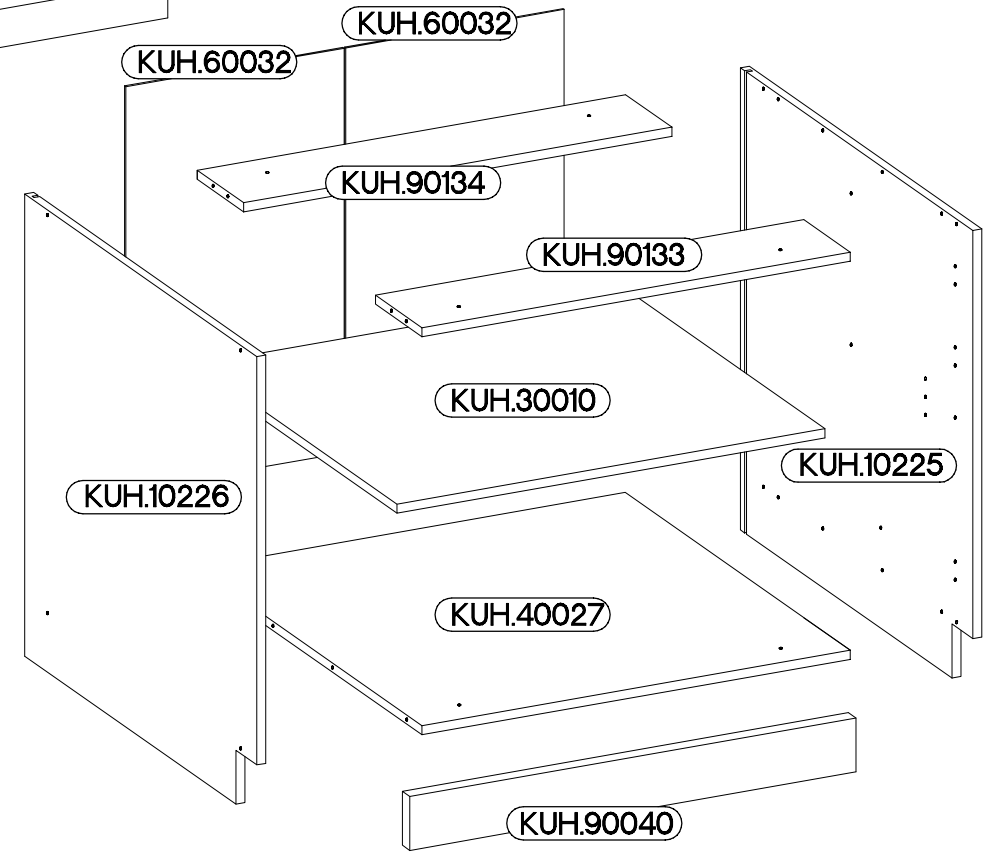
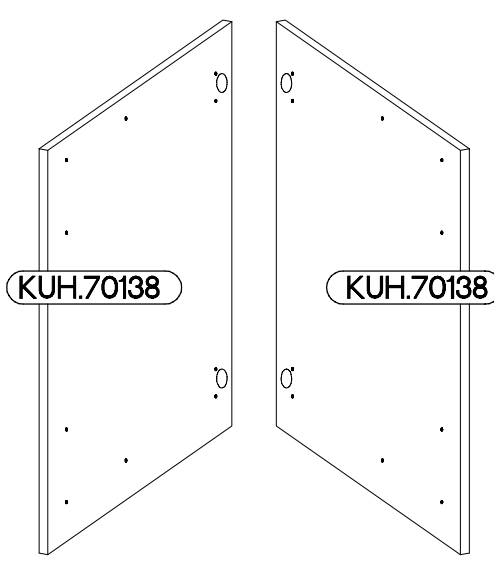

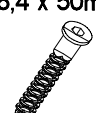



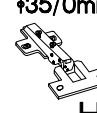

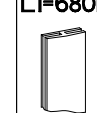
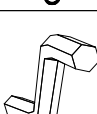


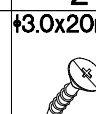
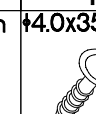
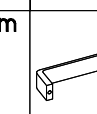
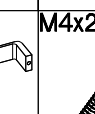


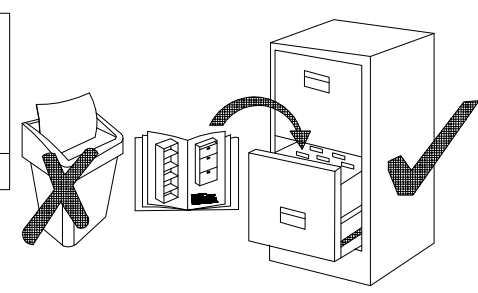
80 D 2F BB



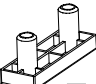
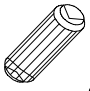
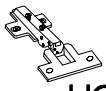

max. 10kg  
 KUH.30010  
 KUH.40027

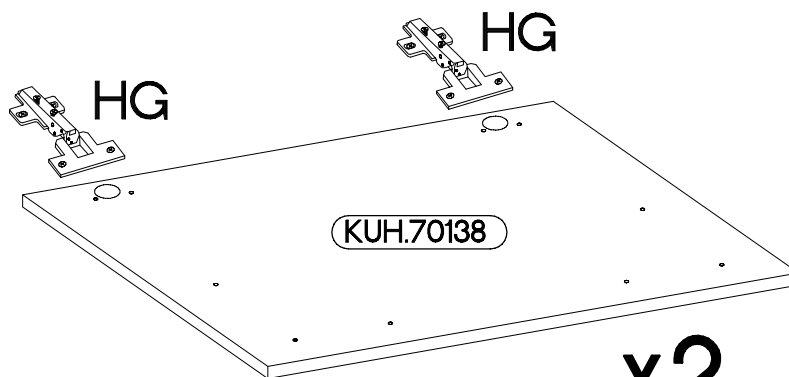
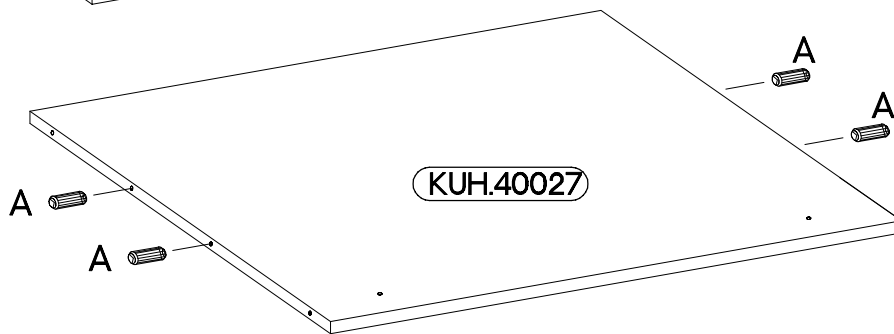
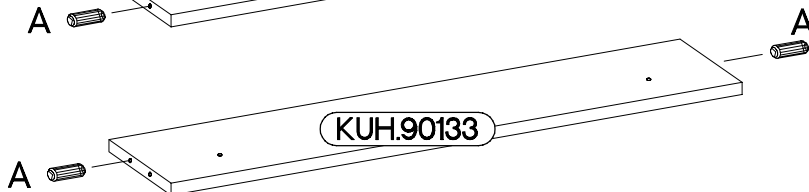
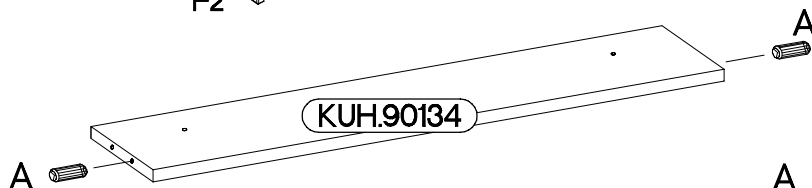
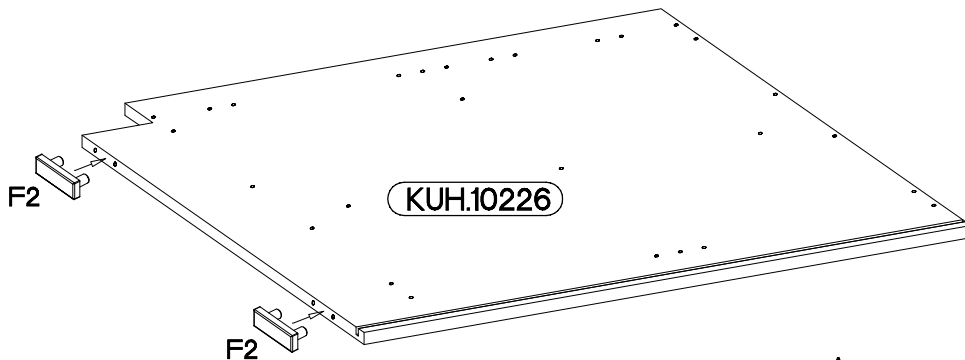
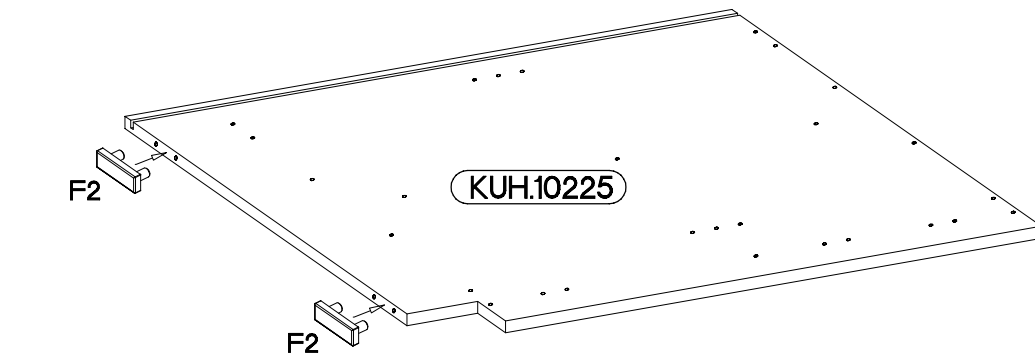
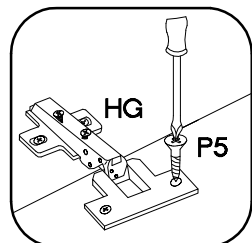
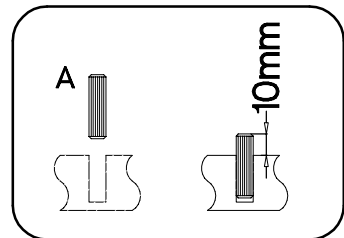
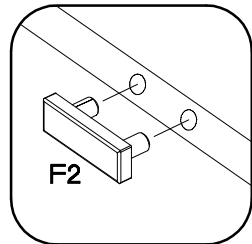
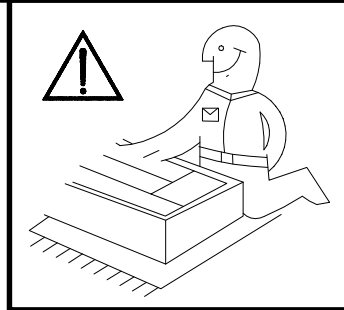


 A 8	 B 8	 E1 8	 E9 2	 F2 4	 HG 4	 J 4	 L1 1
 O 1	 P4 2	 P5 8	 P7 10-15	 R3 4	 S23 2	 U 4	



ISM-KUH-00929

6.5x48x16	±8x30mm	±35/0mm	±3.5x13mm
 F2	 A	 HG	 P5
4	8	4	8



x2

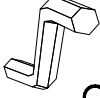
2

6,4 x 50mm



B

4



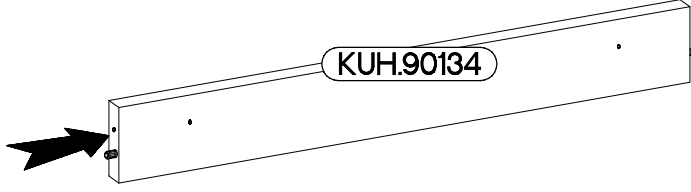
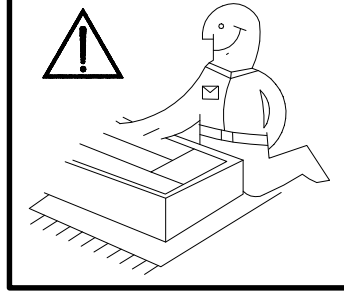
O

1

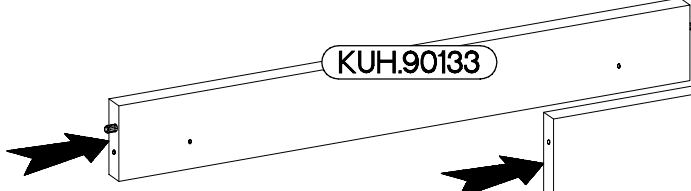


E1

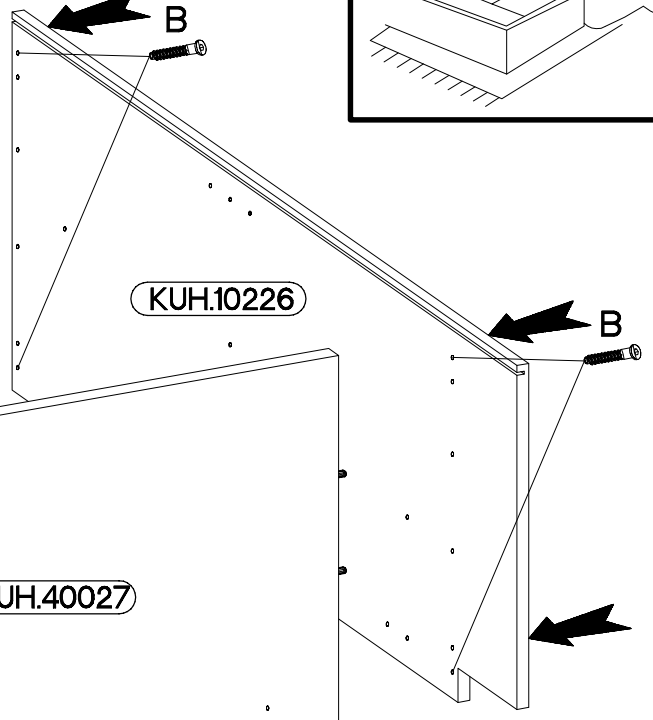
4



KUH.90134

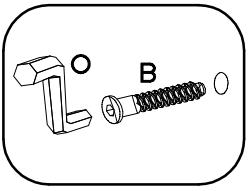


KUH.90133



KUH.10226

KUH.40027



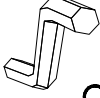
3

6,4 x 50mm



B

4



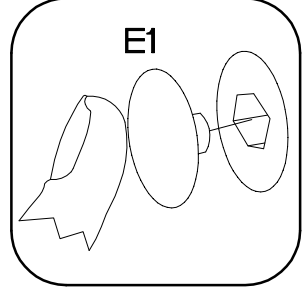
O

1

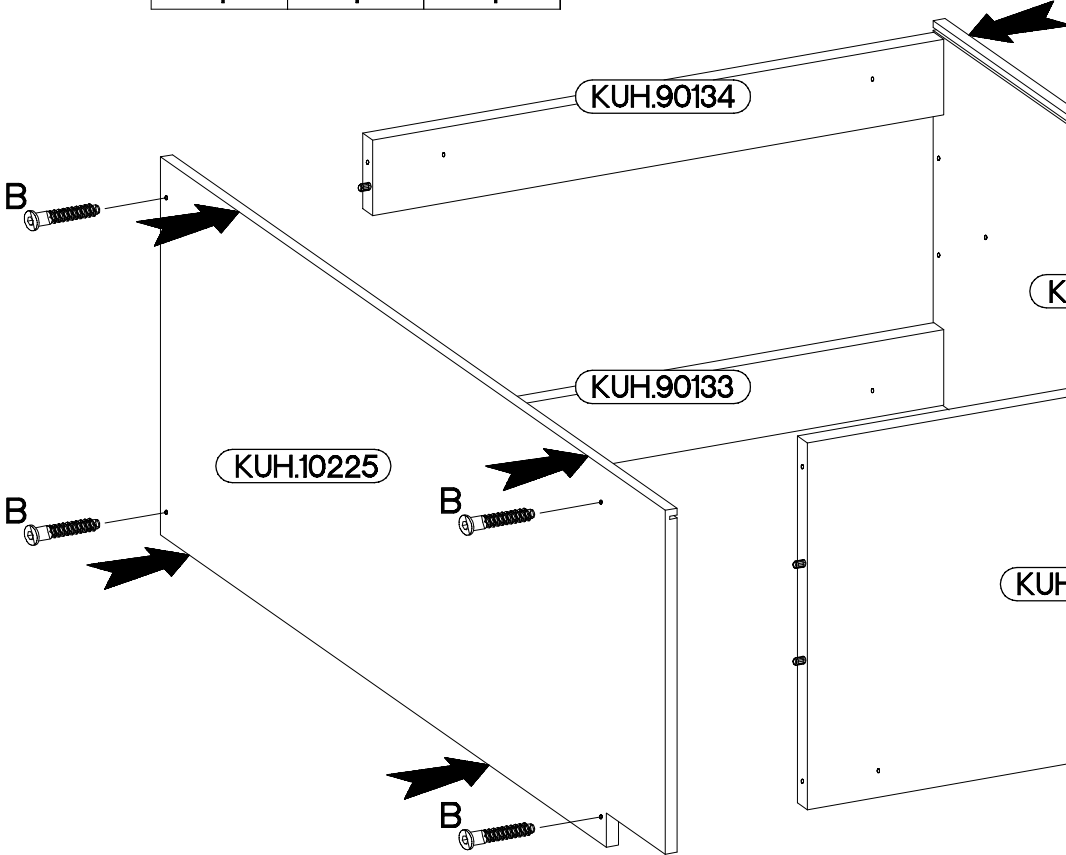
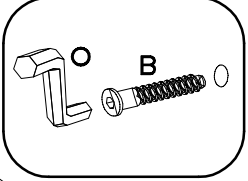


E1

4



E1



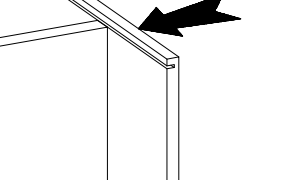
KUH.90134

KUH.10226

KUH.10225


KUH.90133

KUH.40027



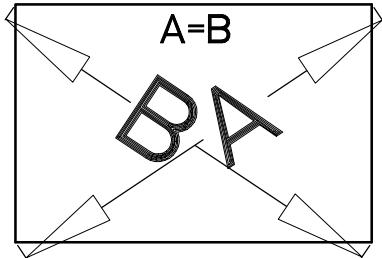
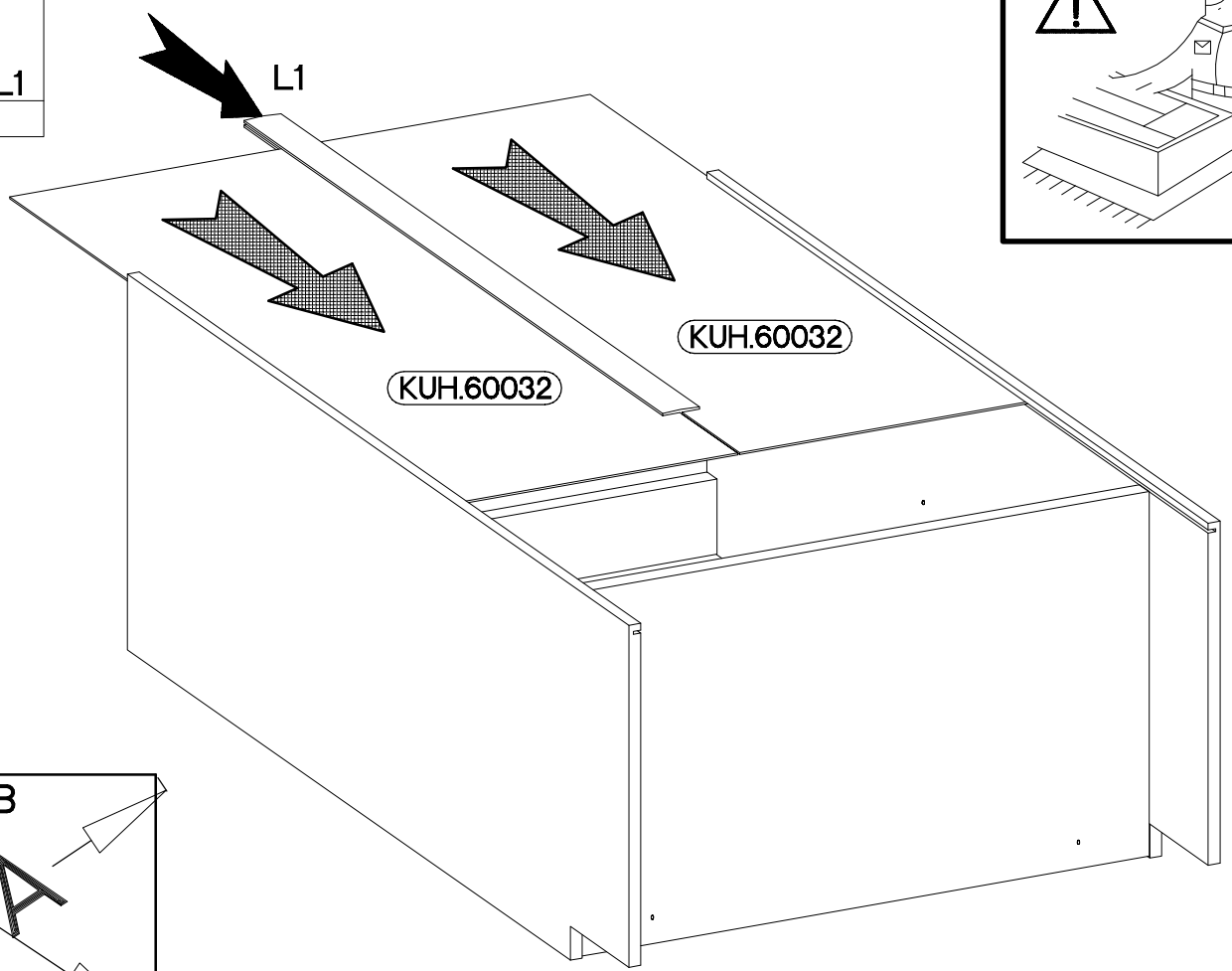
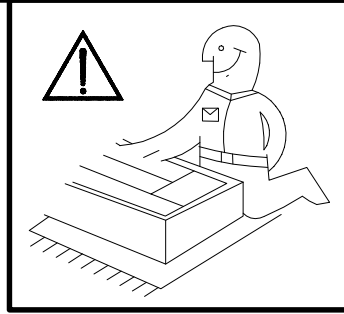
4

L1=680mm




L1

1



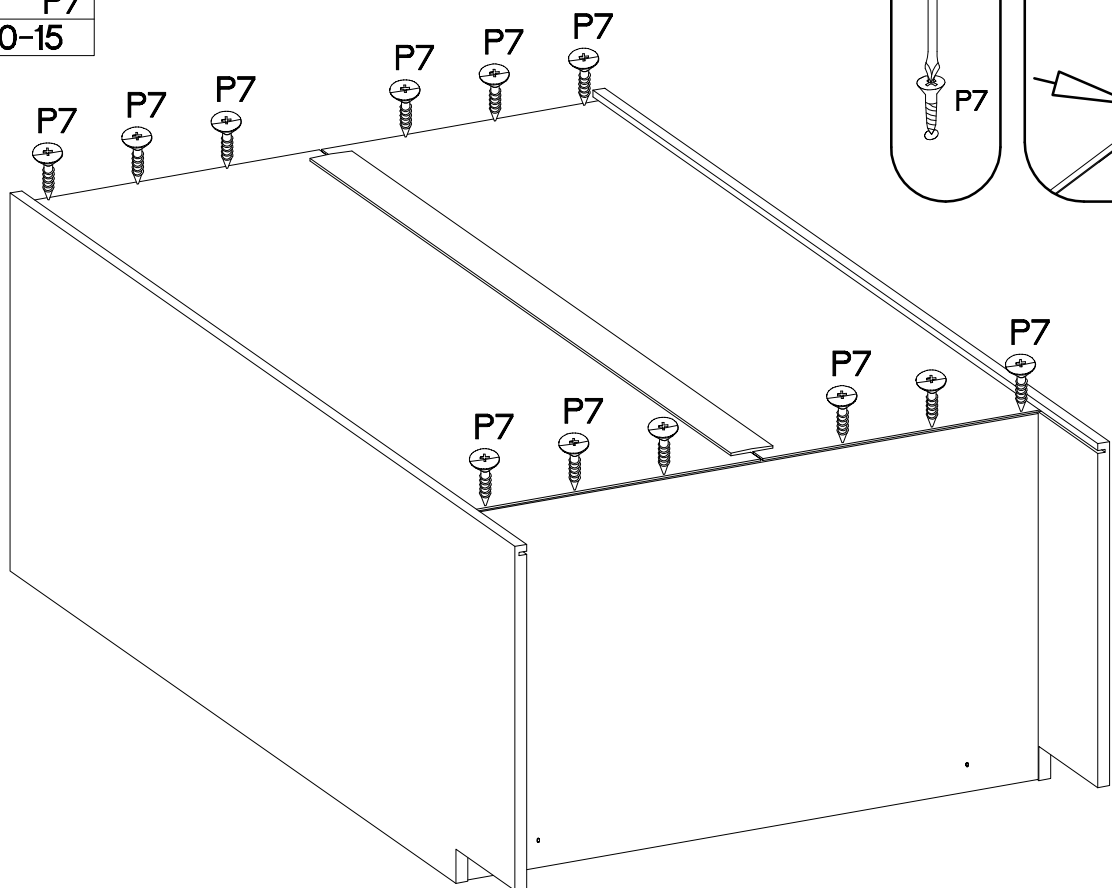
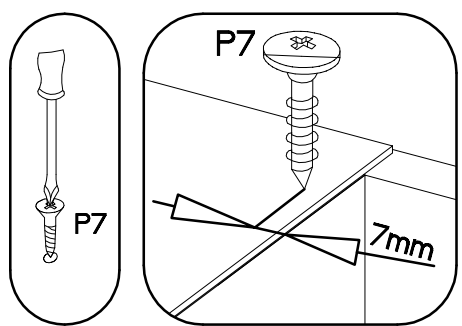
5

φ3.0x20mm



P7

10-15



6

4.0x45mm



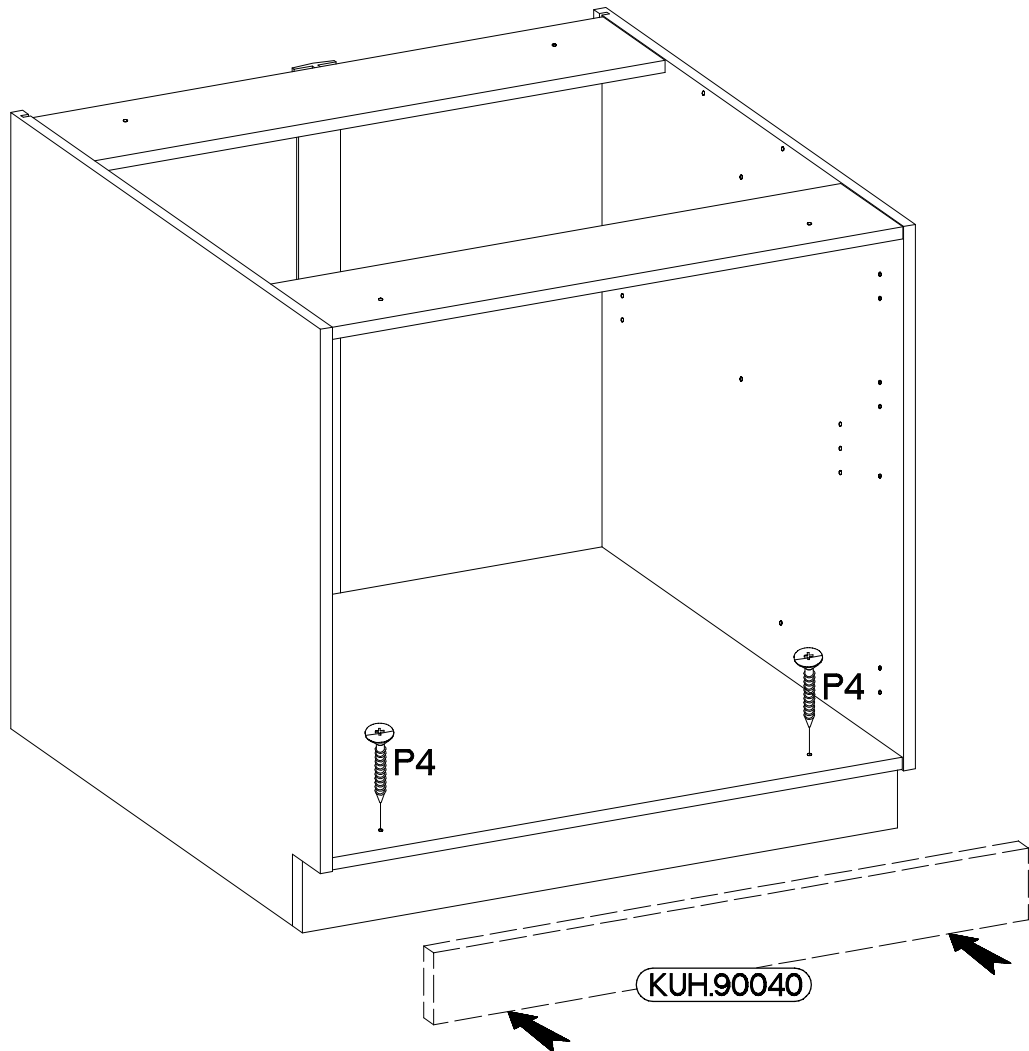
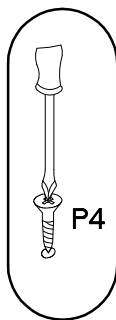
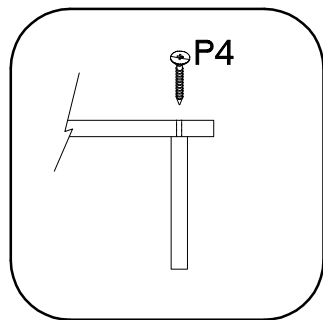
P4

2



E9

2



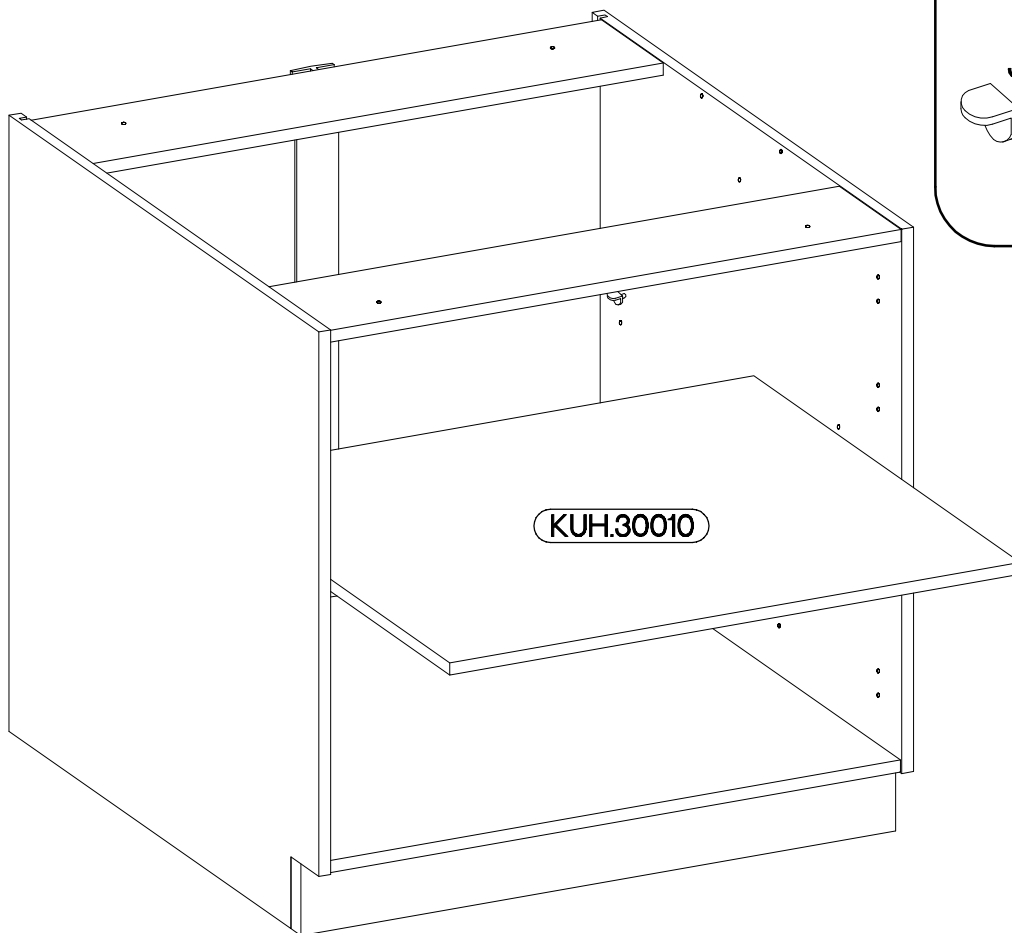
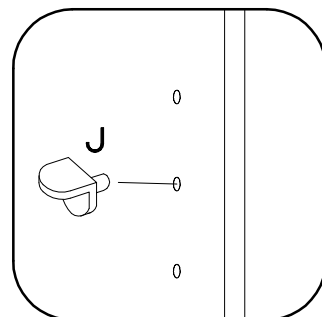
7

5/19mm



J

4



8

4.0x35mm



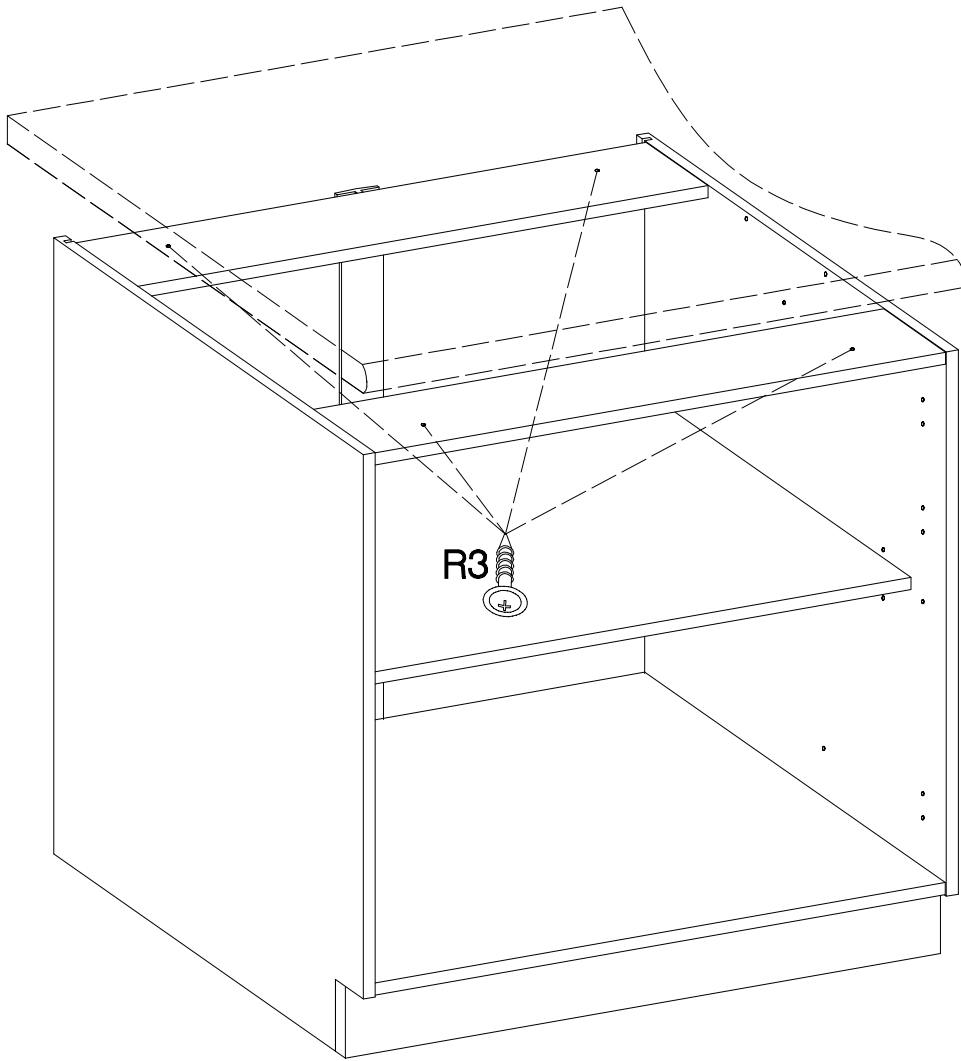
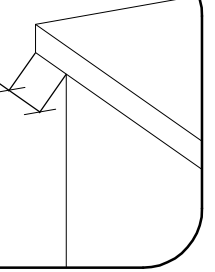
R3

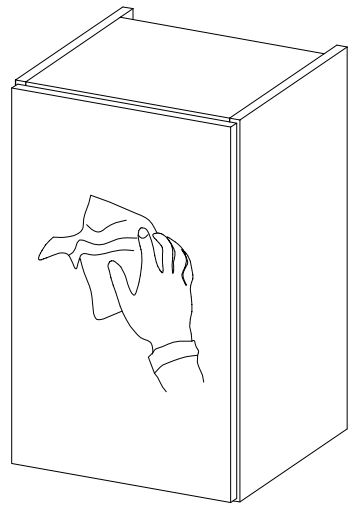
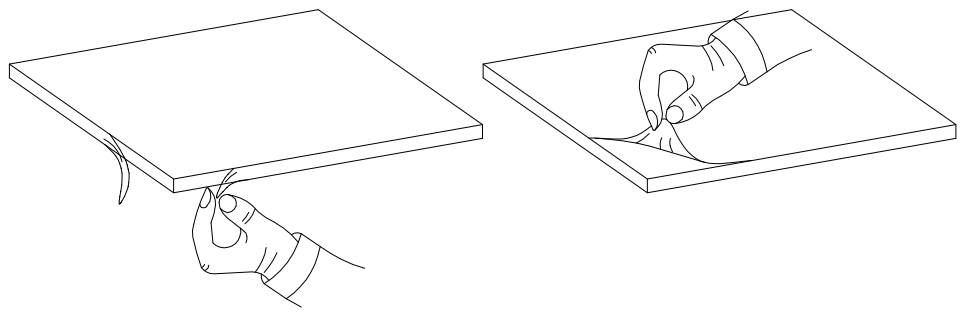
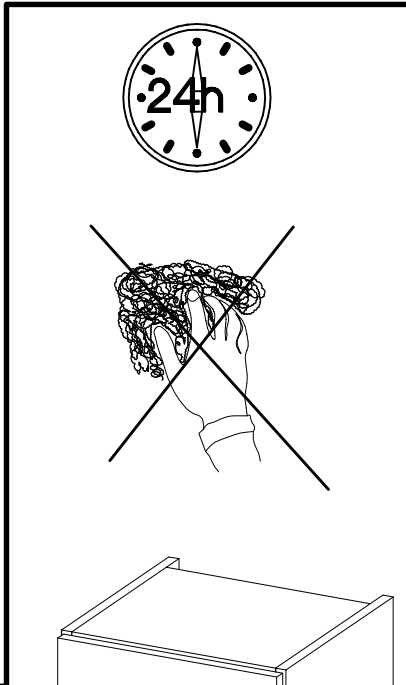
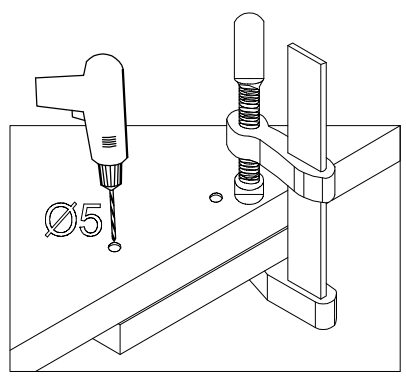
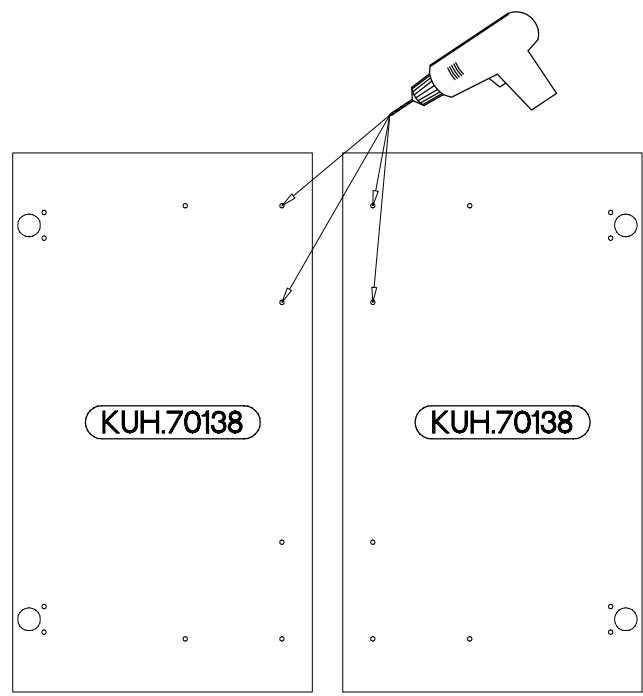
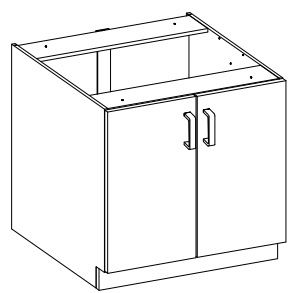
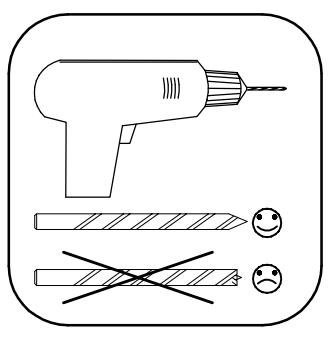
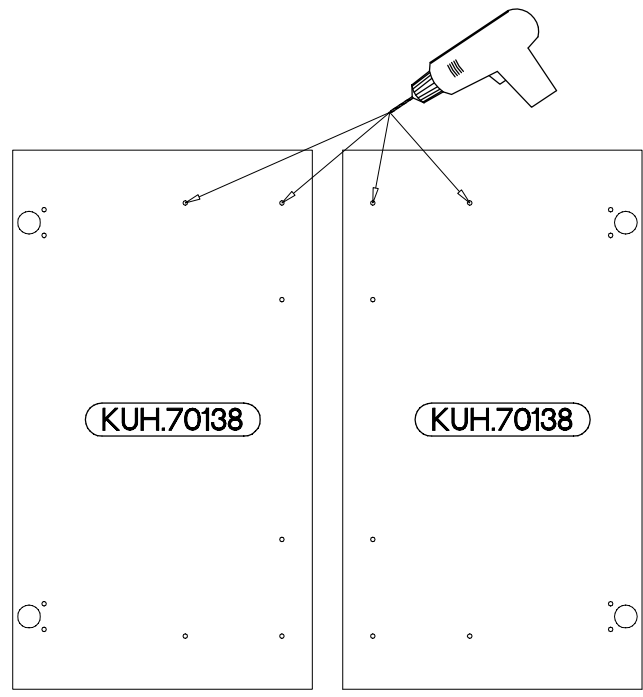
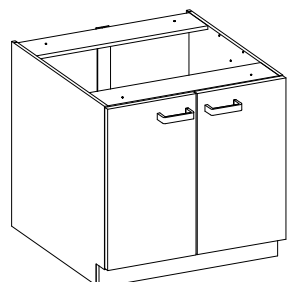
4


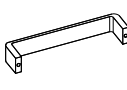
P3



5cm





M4x22mm	
	
U	S23
4	2

