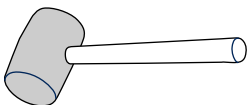
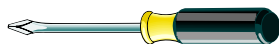
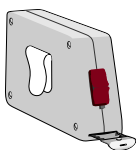
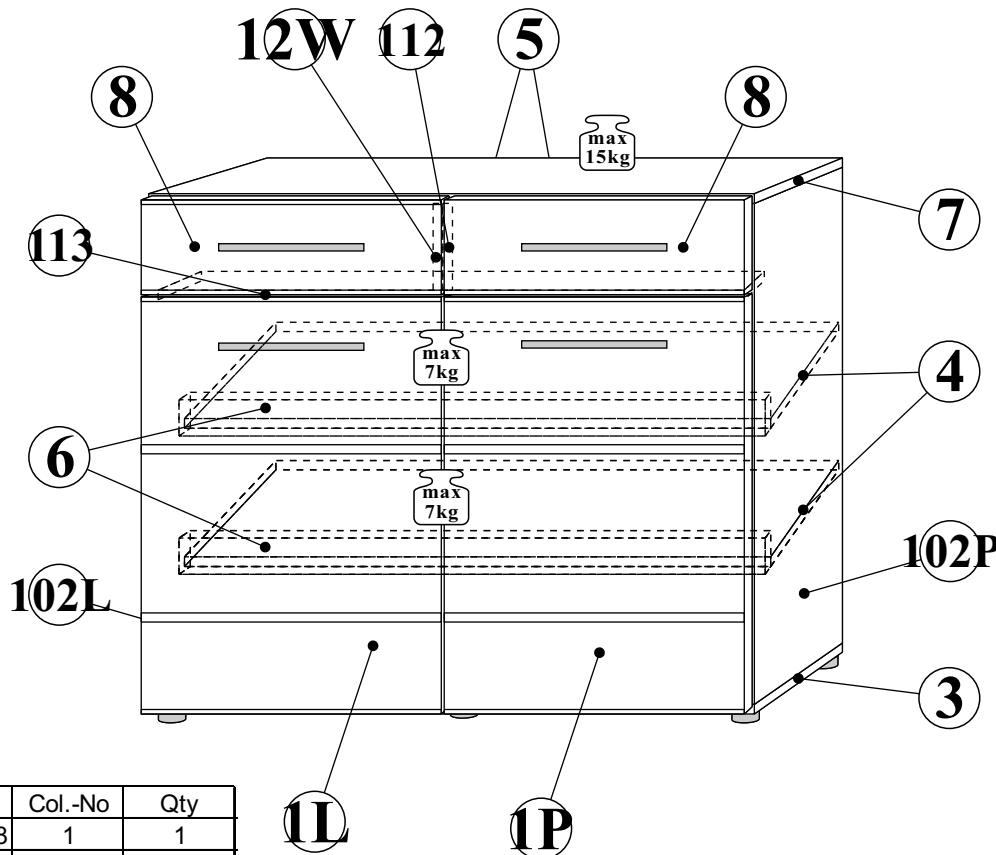
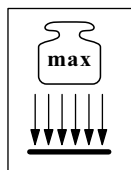
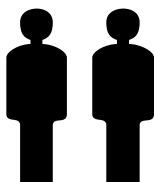
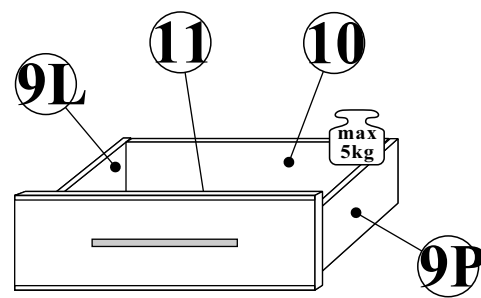




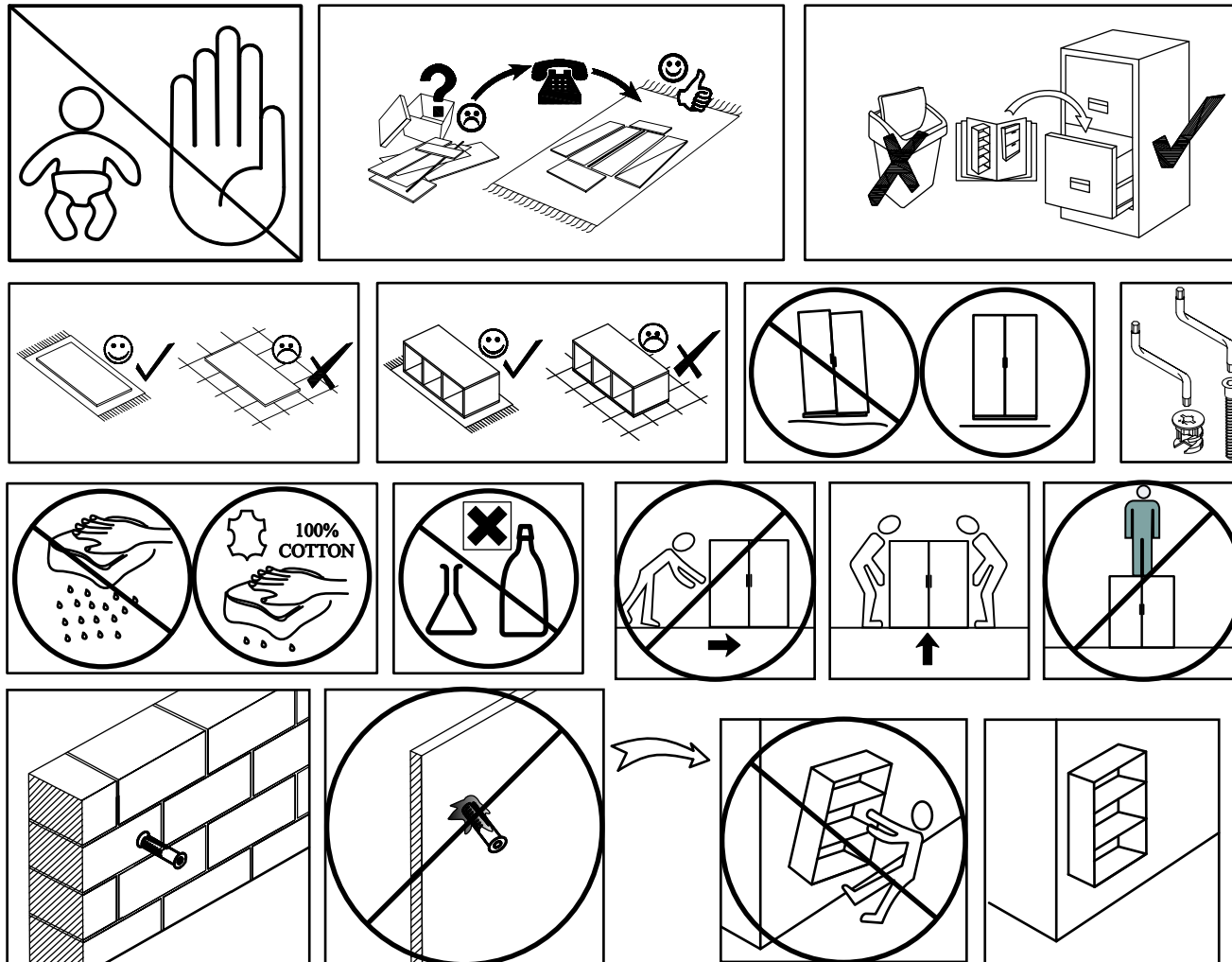
90 min



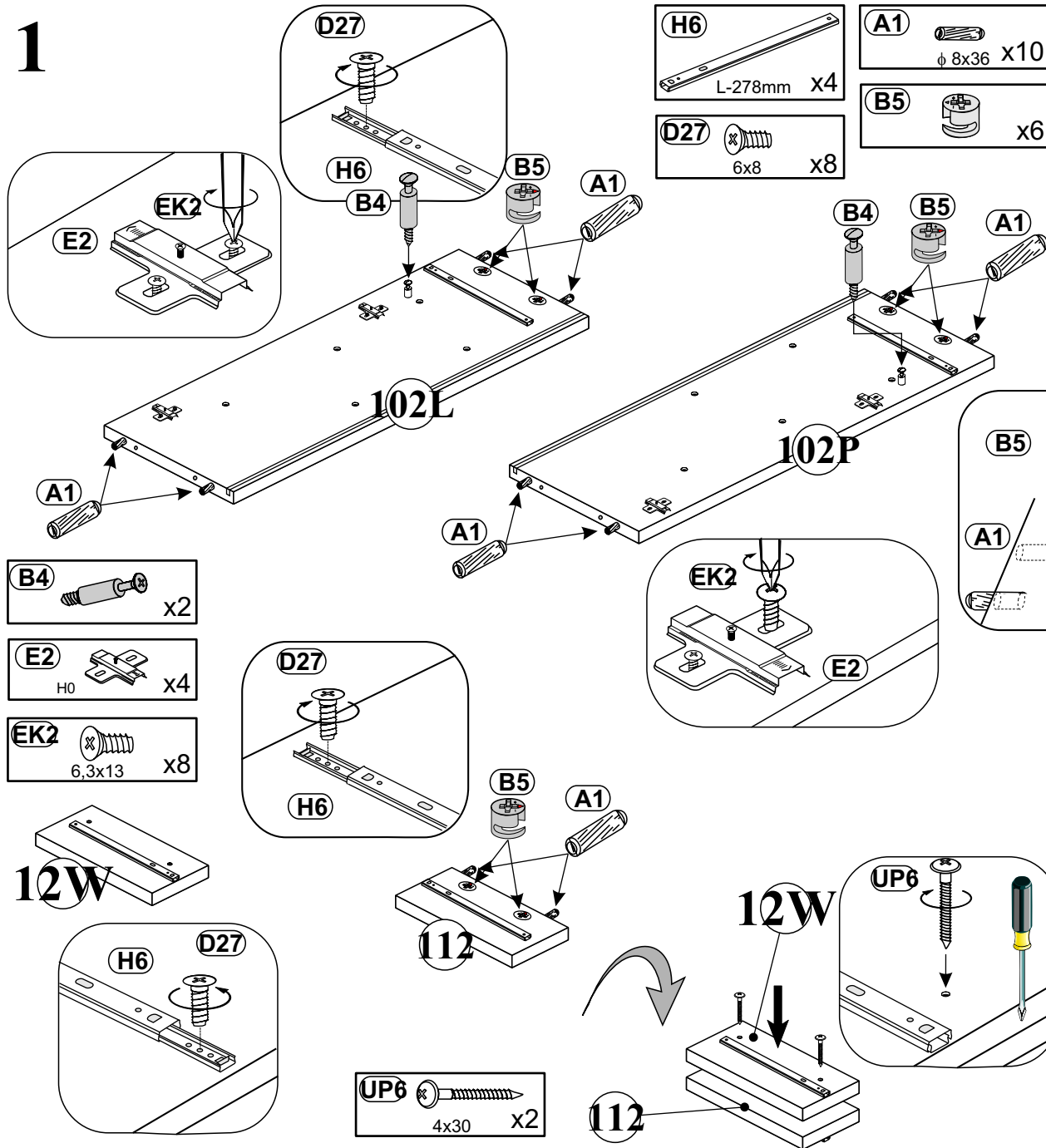
| NO | Dim. | | Col.-No | Qty |
|------|------|-----|---------|-----|
| 1L | 496 | 708 | 1 | 1 |
| 1P | 496 | 708 | 1 | 1 |
| 102L | 828 | 330 | 1 | 1 |
| 102P | 828 | 330 | 1 | 1 |
| 112 | 130 | 310 | 1 | 1 |
| 12W | 130 | 310 | 1 | 1 |
| 3 | 1001 | 330 | 1 | 1 |
| 4 | 967 | 295 | 1 | 2 |
| 6 | 967 | 60 | 1 | 2 |
| 5 | 839 | 488 | 1 | 2 |
| 7 | 1001 | 330 | 1 | 1 |
| 8 | 496 | 143 | 1 | 2 |
| 9L | 280 | 100 | 1 | 2 |
| 9P | 280 | 100 | 1 | 2 |
| 10 | 435 | 85 | 1 | 2 |
| 11 | 283 | 445 | 1 | 2 |
| 113 | 967 | 80 | 1 | 1 |



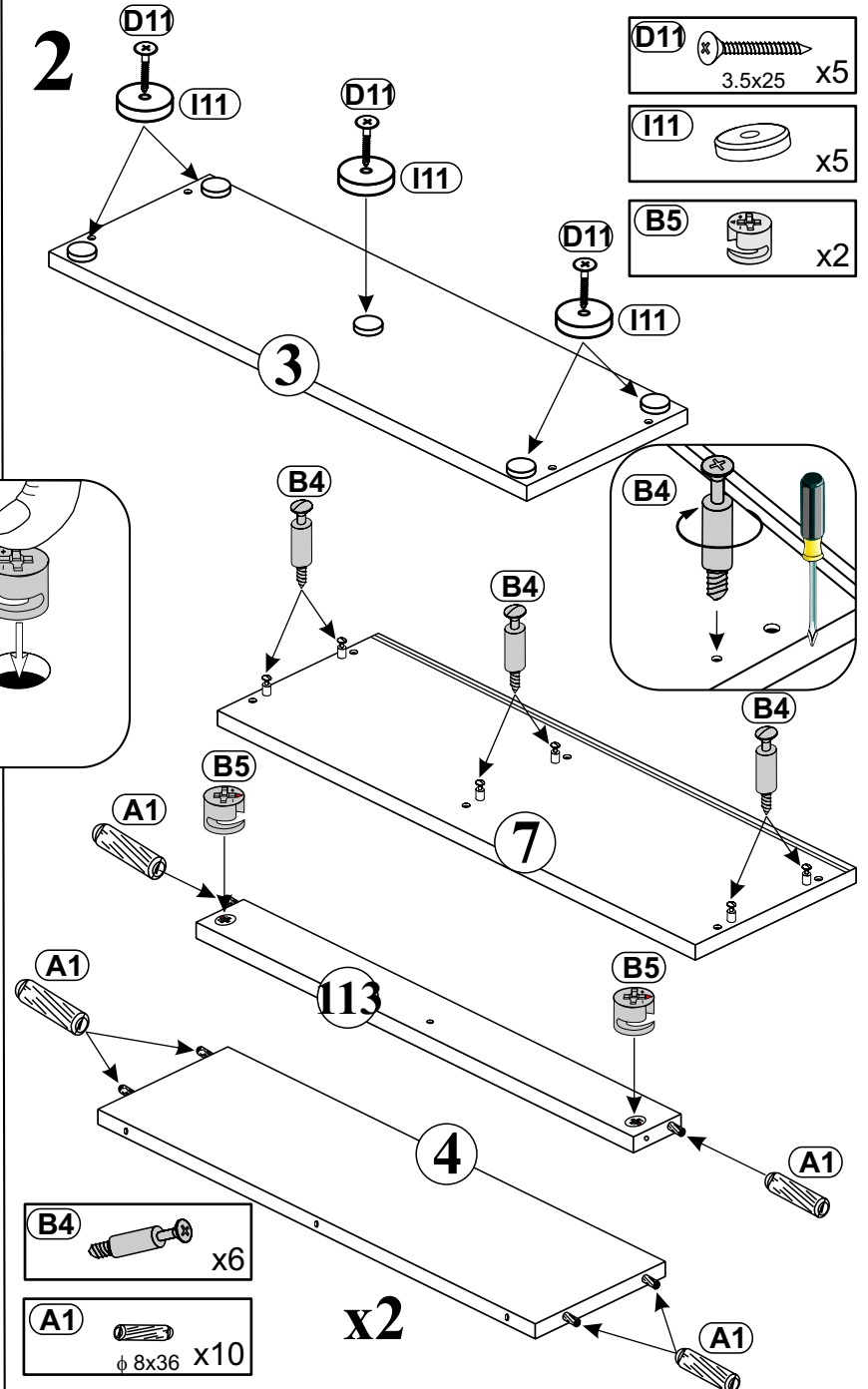
- A1** $\phi 8 \times 36$ x36
- B5** x8
- B4** x8
- G5** #15 x8
- B11** 7x50 x11
- I1** $\phi 2$ x10
- S1** x14
- B3** x10
- UL** L-224 x4
- UP6** 4x30 x10
- D10** 3,5x13 x10
- D11** 3,5x25 x5
- E2** H0 x4
- I11** x5
- EK2** 6,3x13 x8
- G2** S-4 x1
- KR1** x11
- L1** x11
- G8** L-826 x1
- H6** L-278mm x4
- D27** 6x8 x8
- D18** M4x9mm x4
- G1** x1
- E1** Kr0 x4



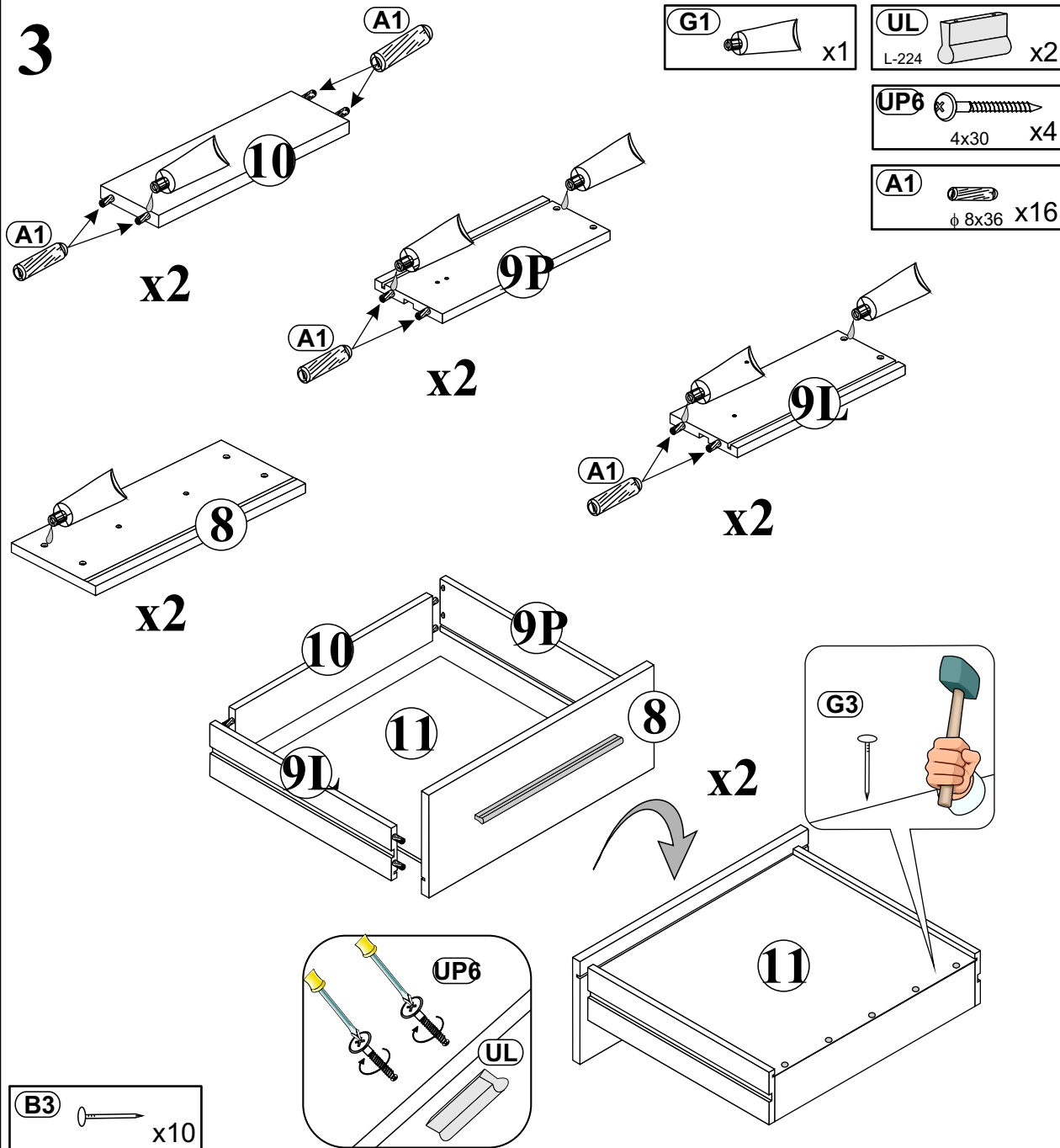
1



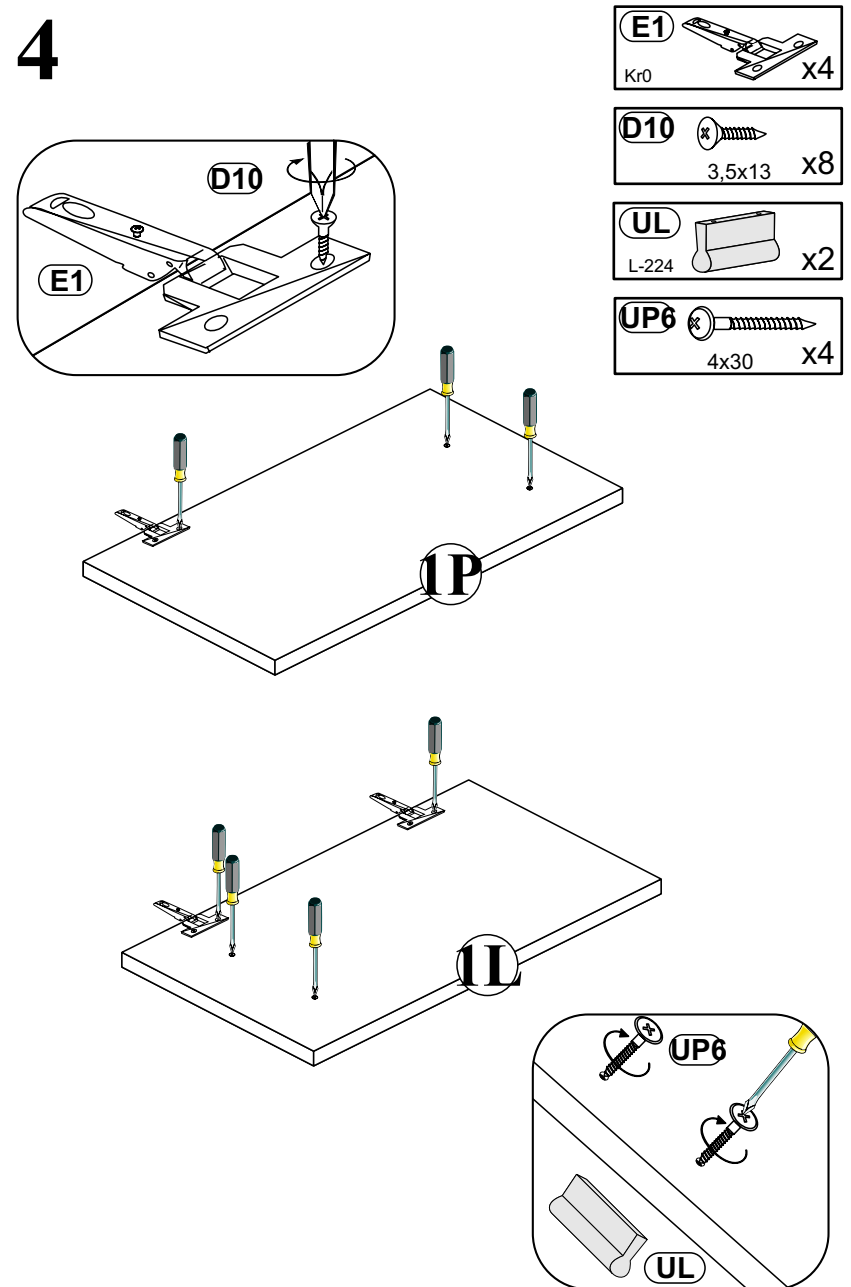
2



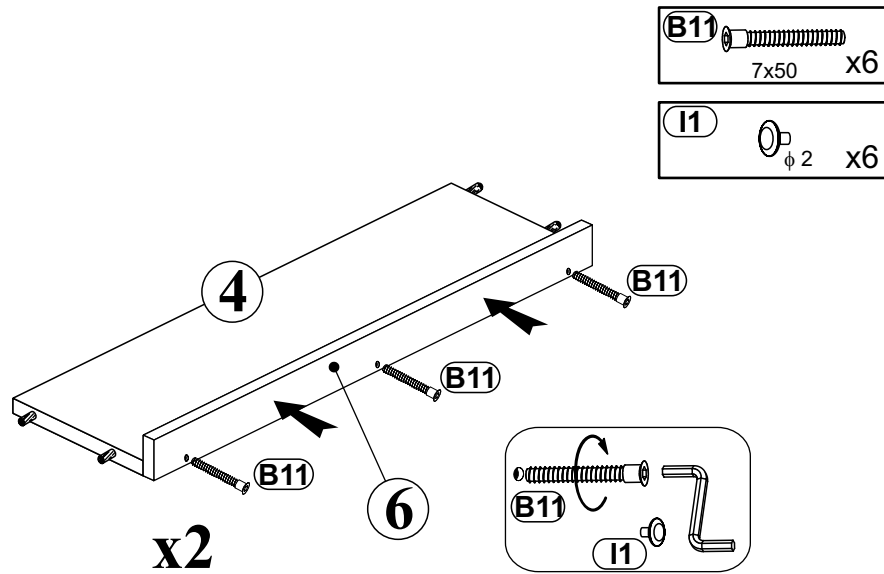
3



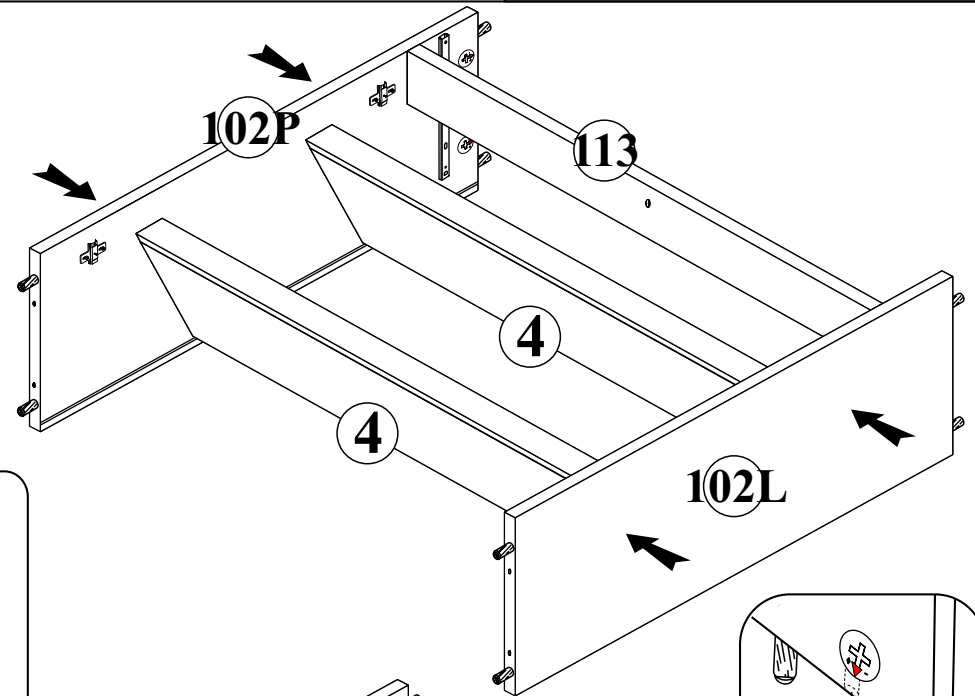
4



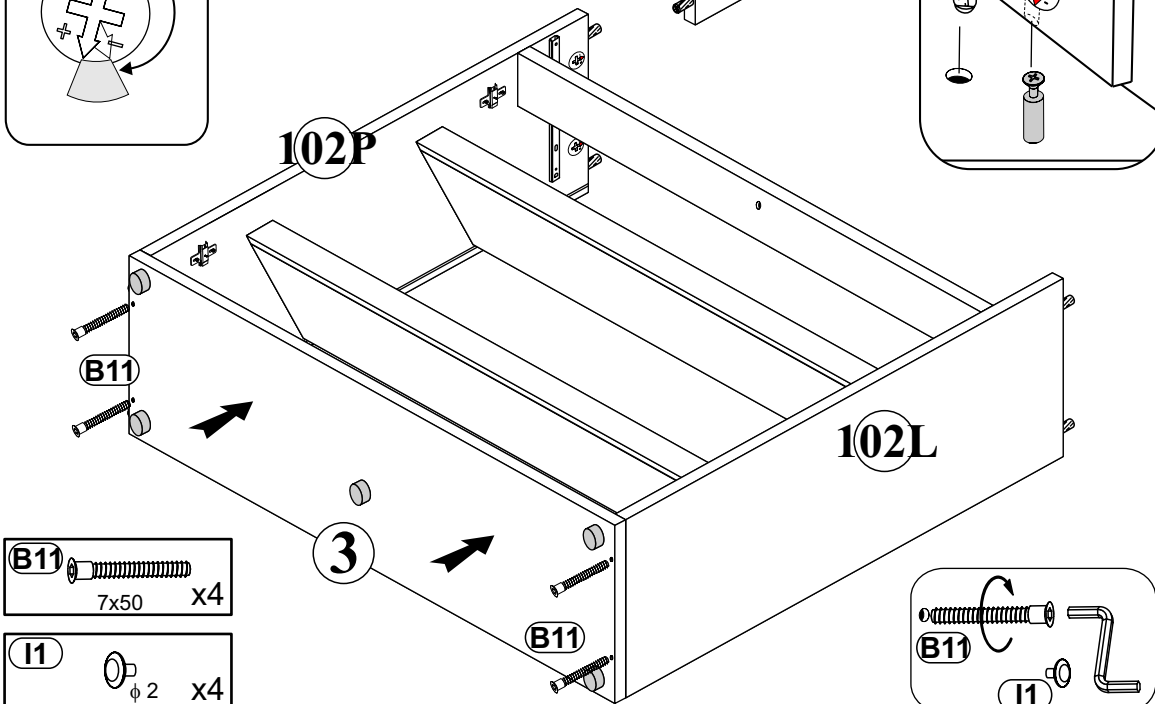
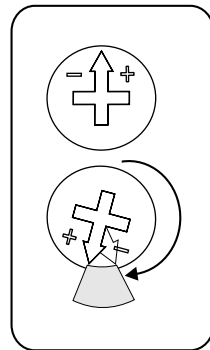
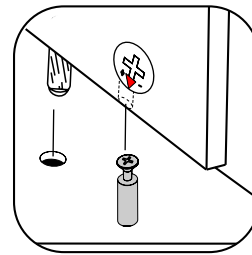
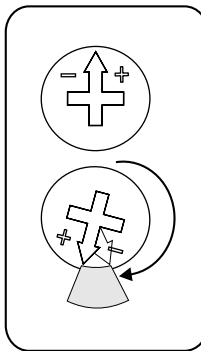
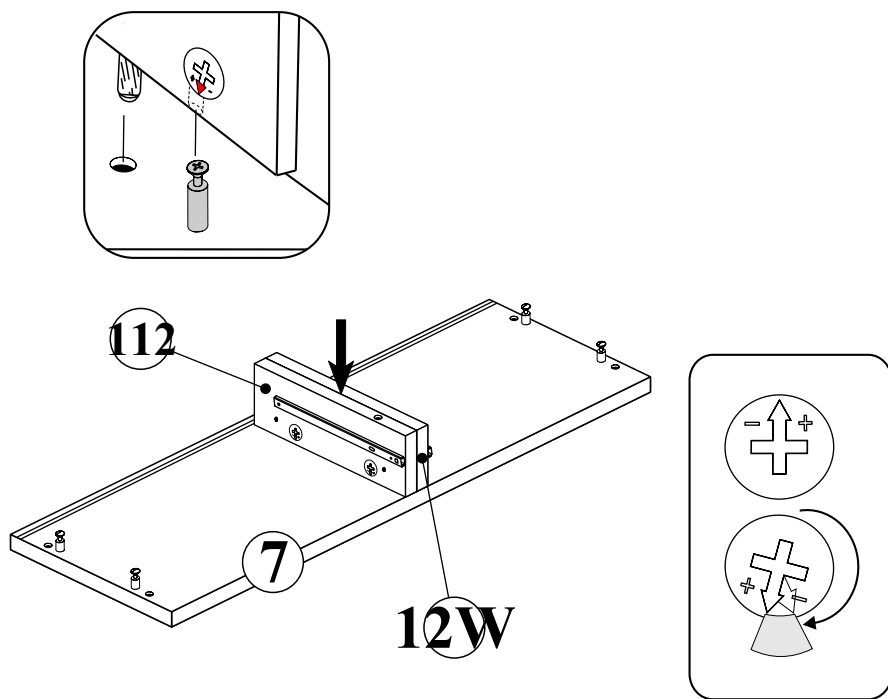
5

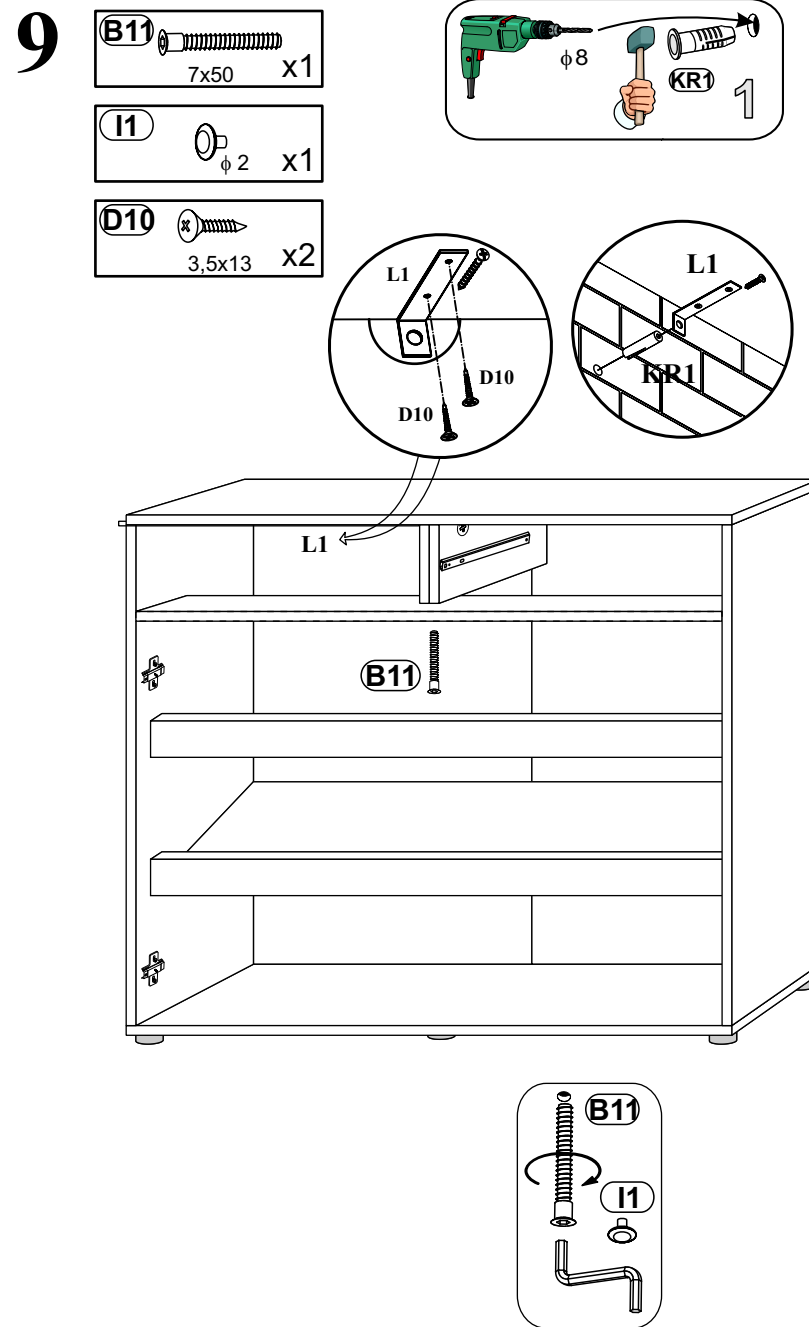
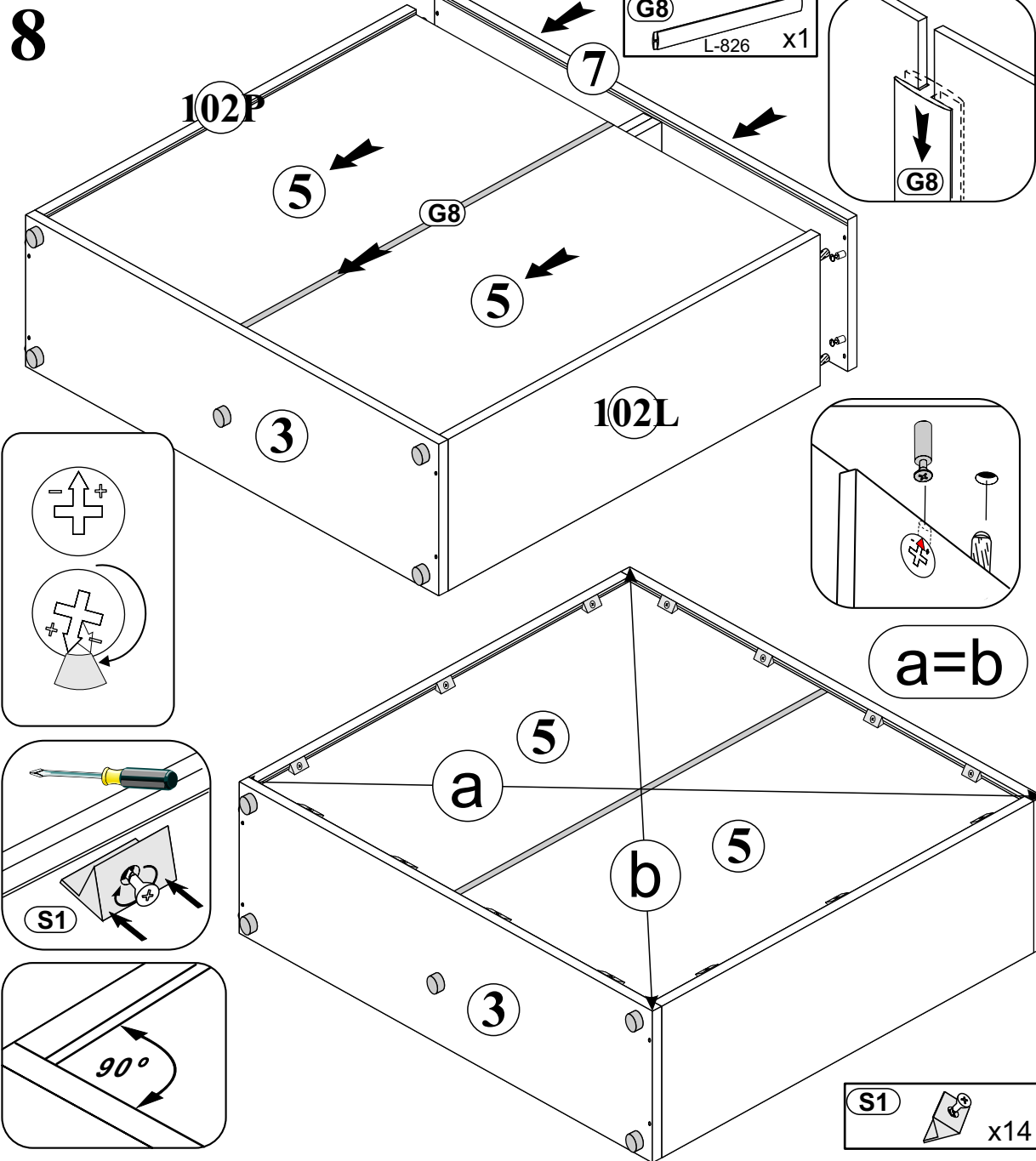


7

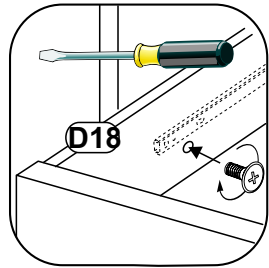


6



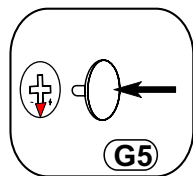
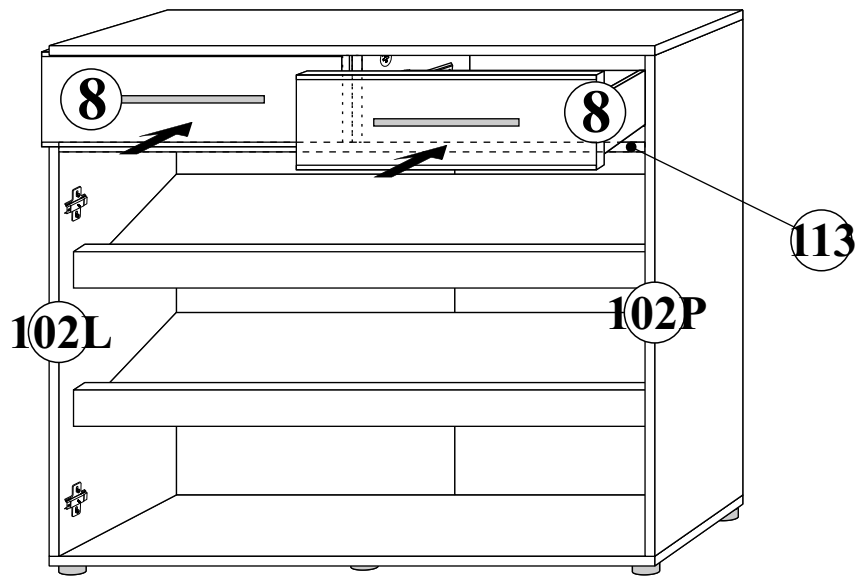


10



D18  x4
M4x9mm

G5  x6
#15



11

