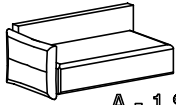
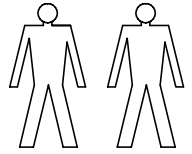
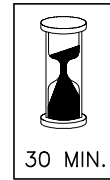
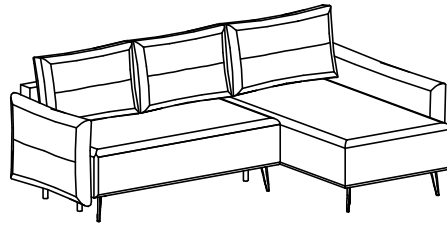
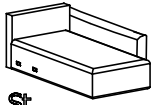


# DREAM



A - 1 St.



B - 1 St.



C - 2 St.



D - 1 St.



E - 4 St.  
H=15cm



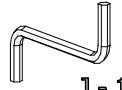
F - 8 St.  
M8x25



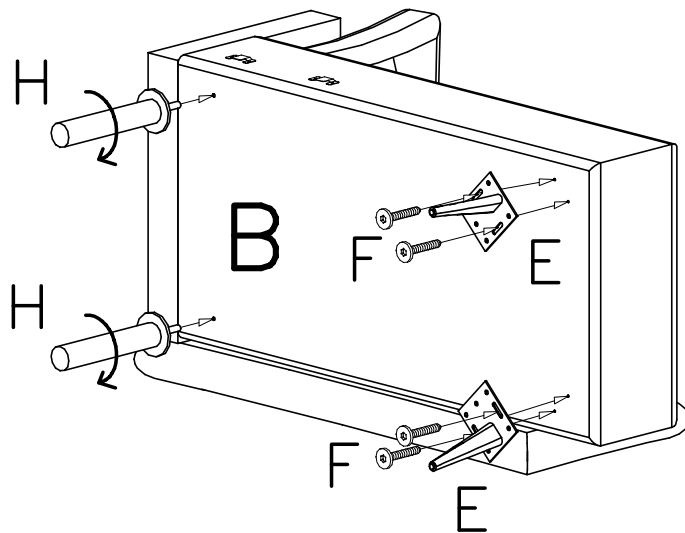
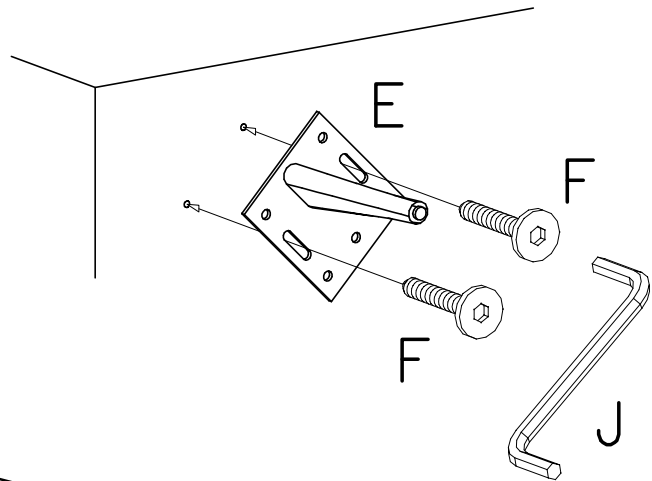
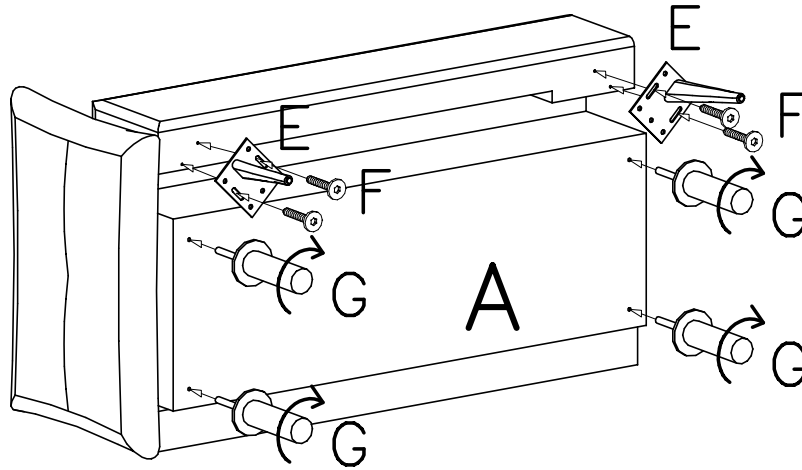
G - 4 St.  
H=8cm



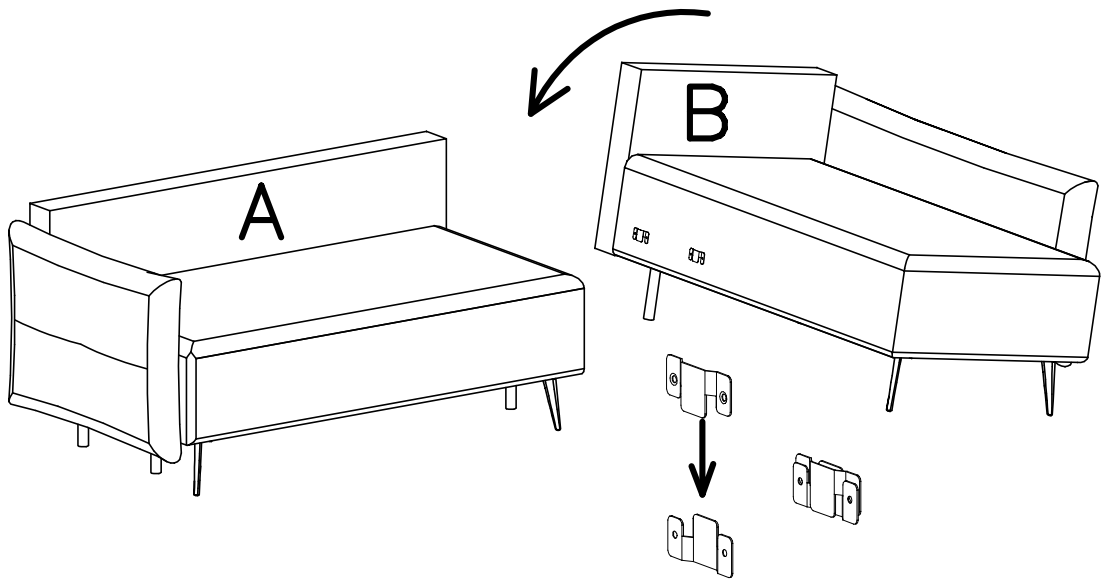
H - 2 St.  
H=15cm



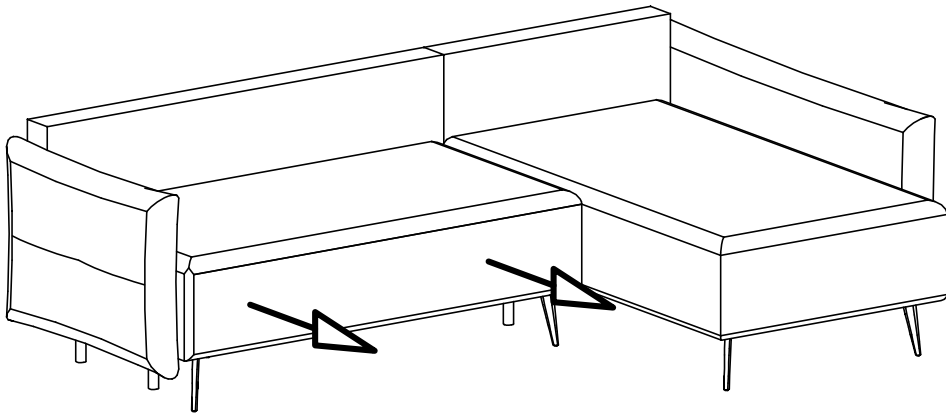
J - 1 St.  
5cm



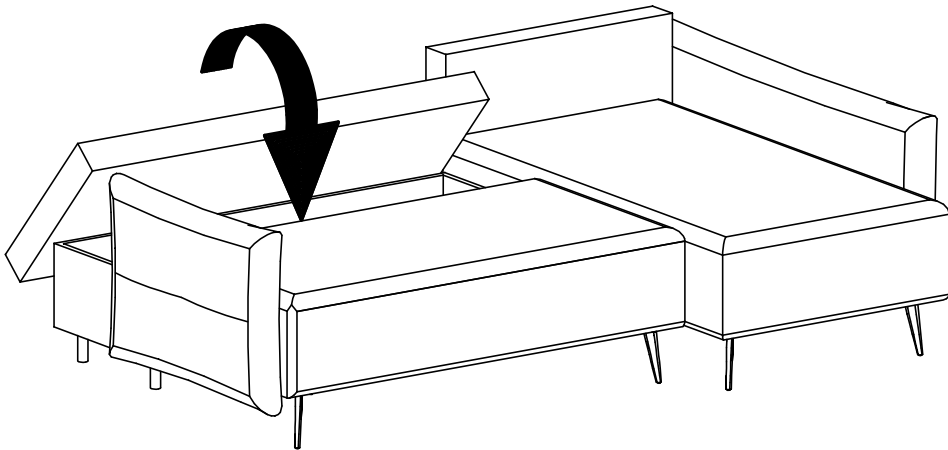
II



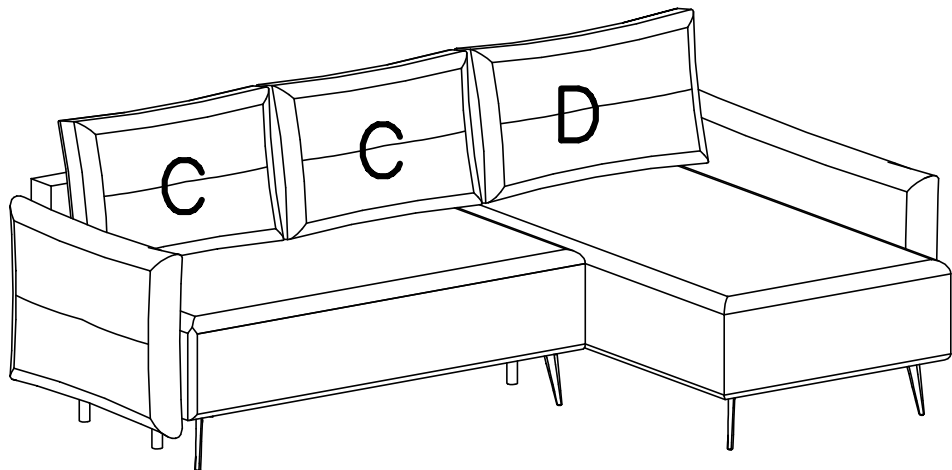
III



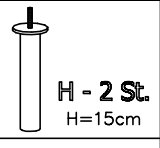
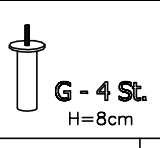
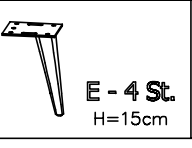
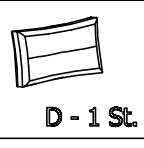
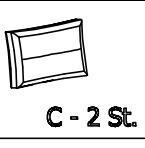
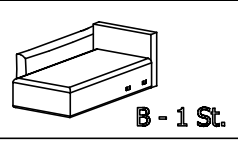
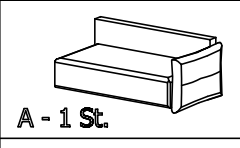
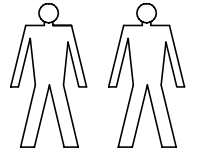
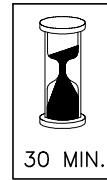
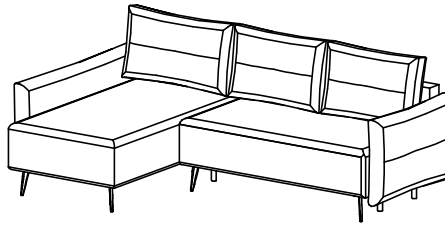
IV



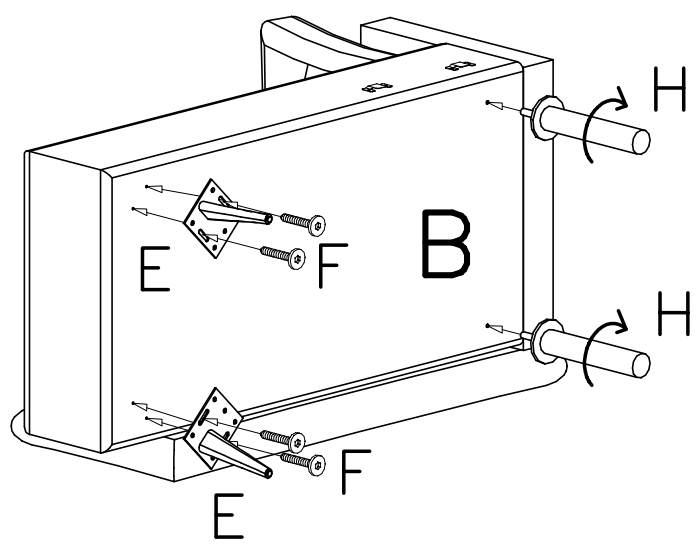
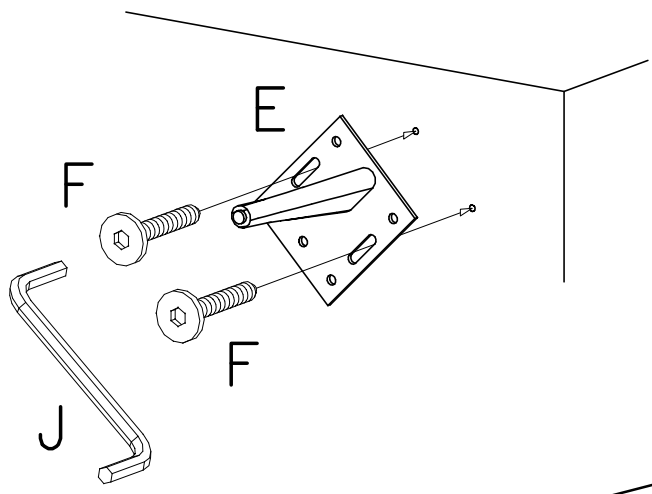
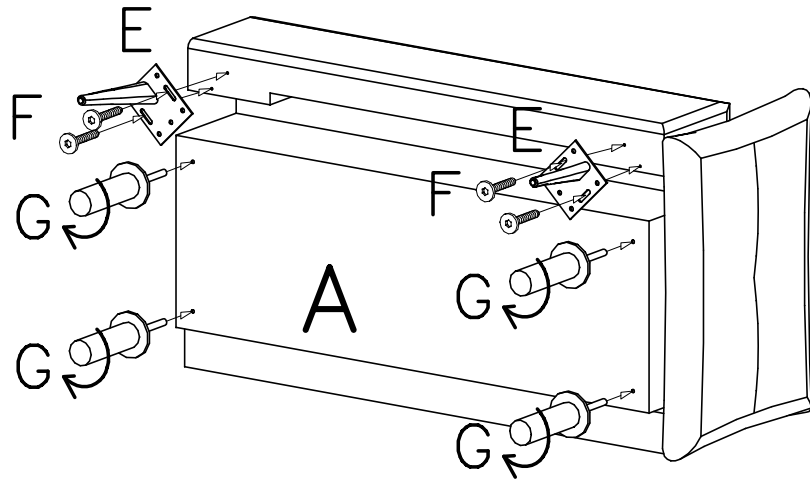
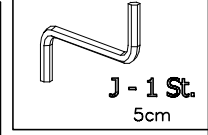
V



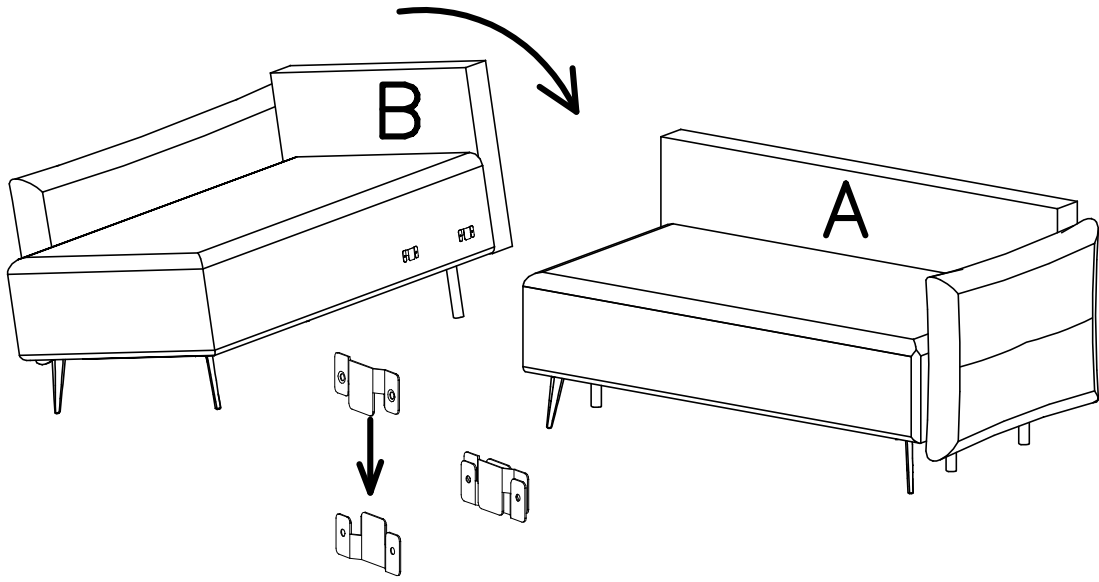
# DREAM



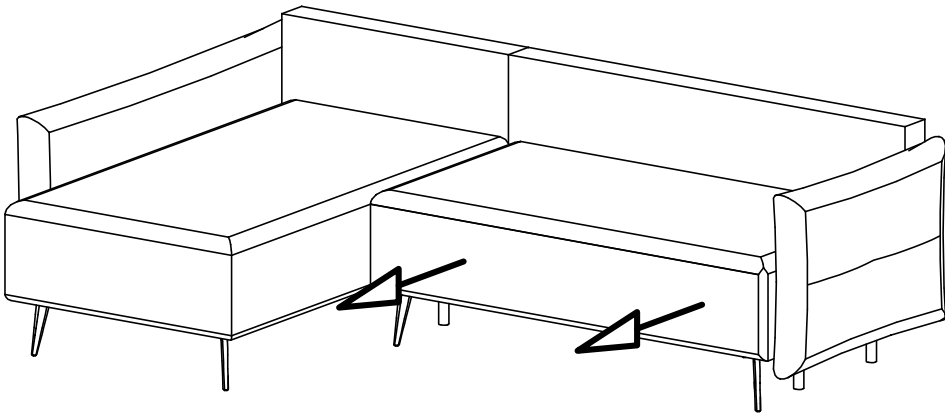
I



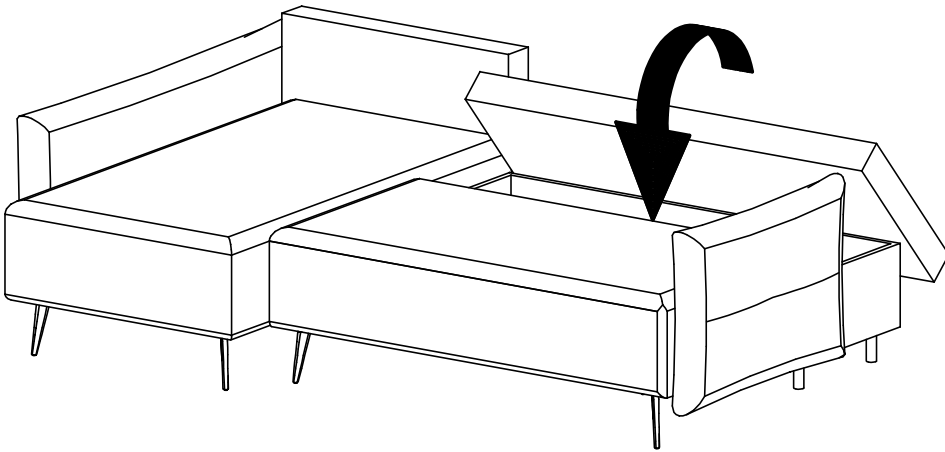
II



III



IV



V

