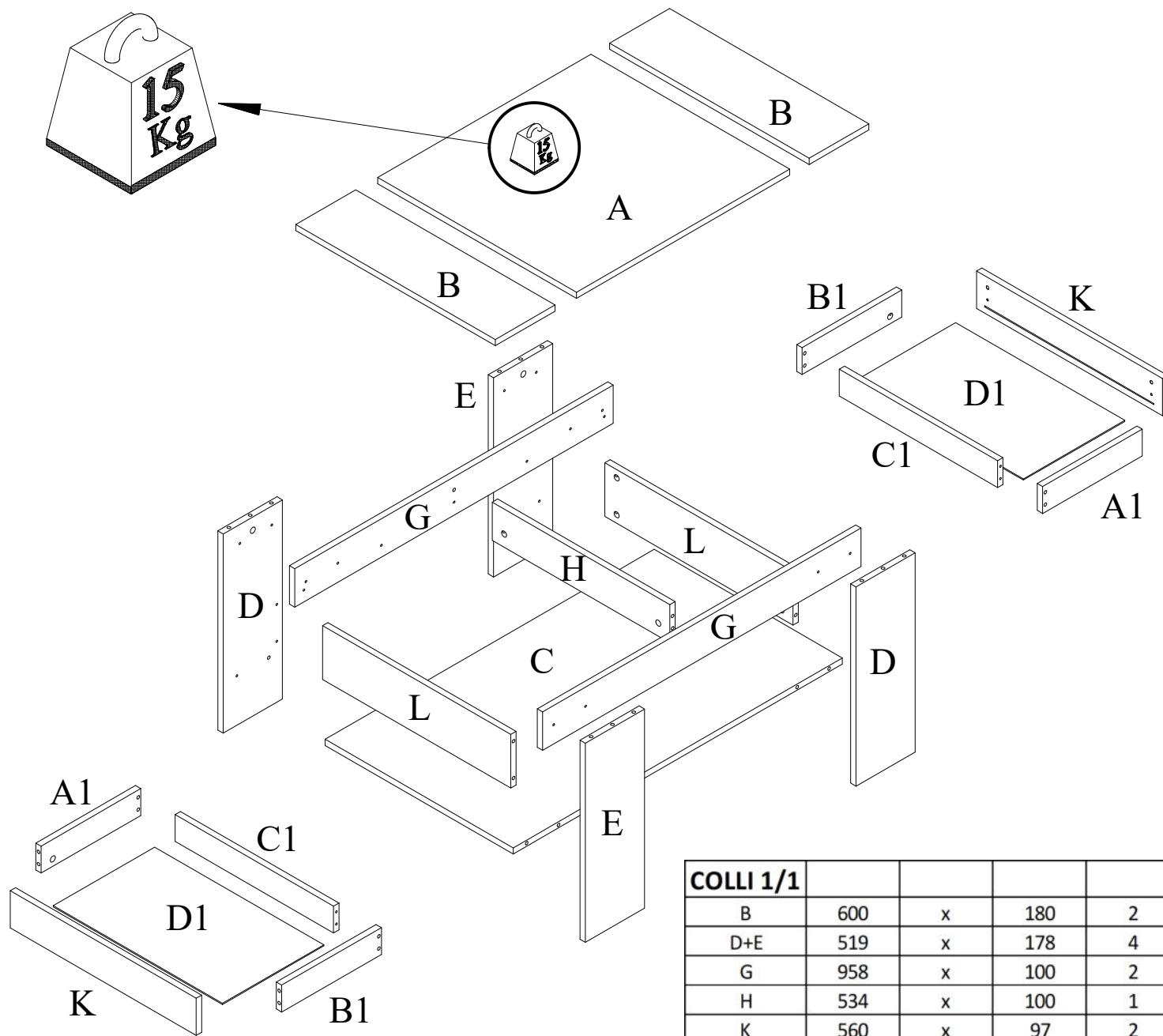
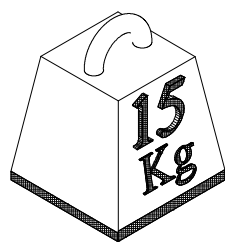
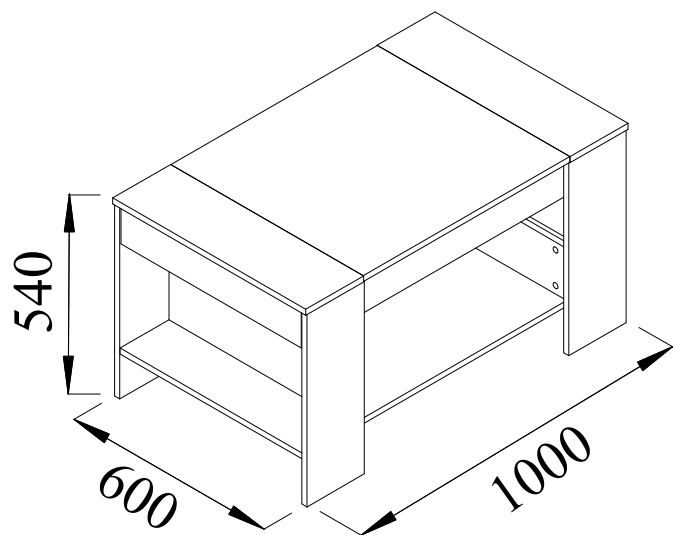
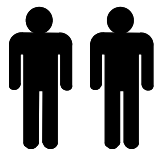
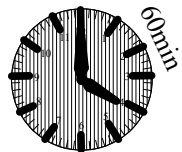
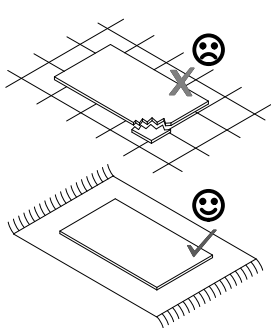
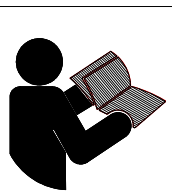


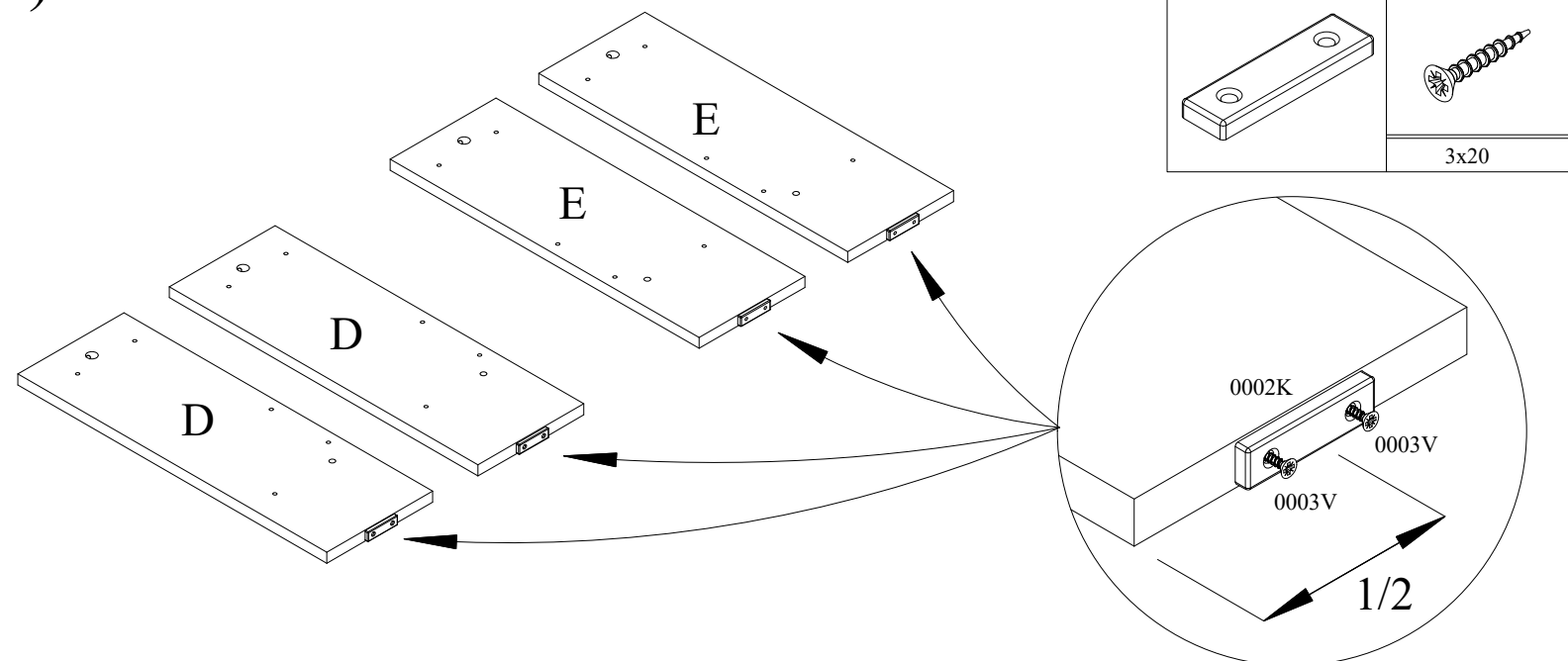
Asko 111



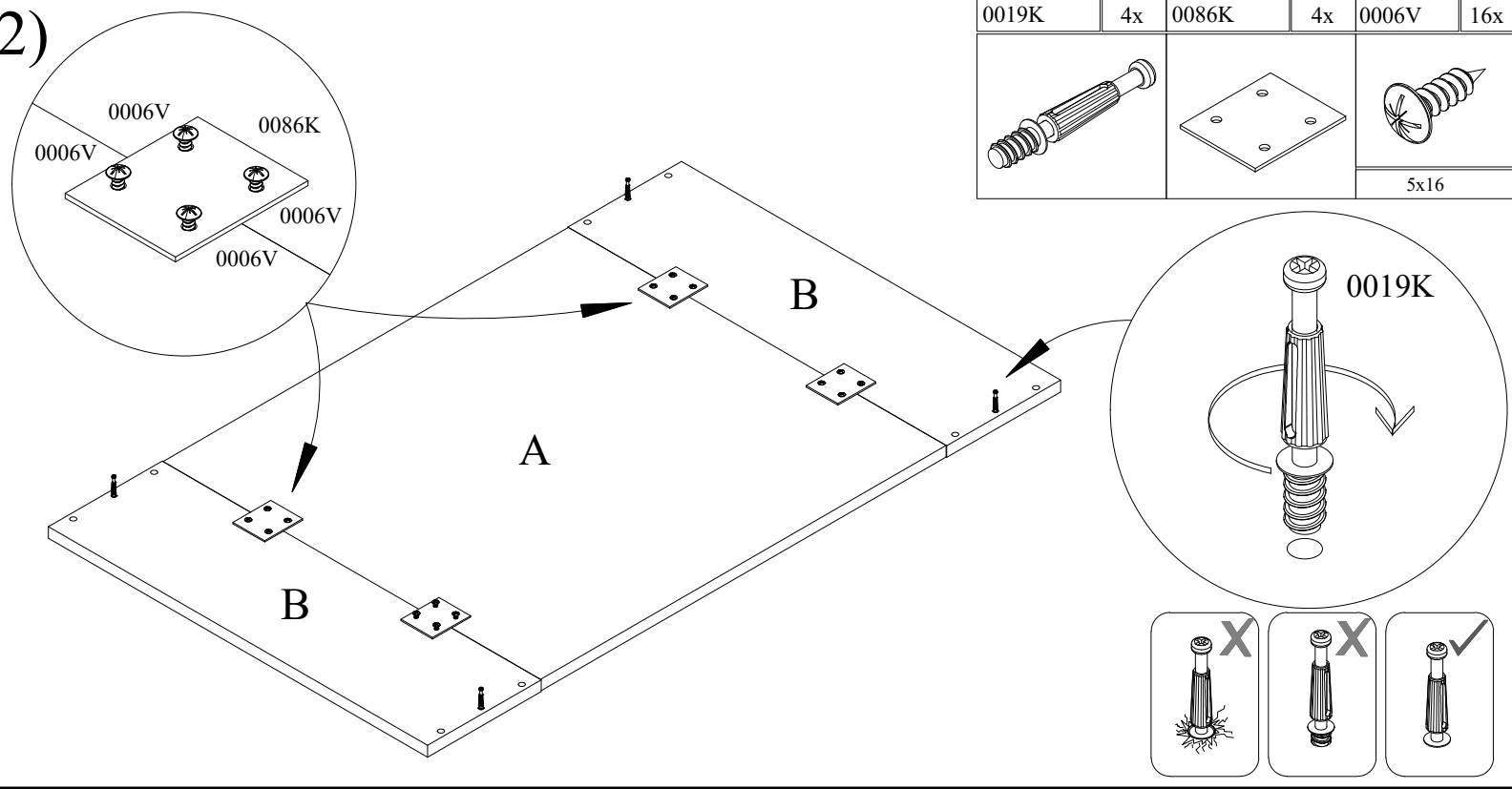
| COLLI 1/1 |     |   |     |   |
|-----------|-----|---|-----|---|
| B         | 600 | x | 180 | 2 |
| D+E       | 519 | x | 178 | 4 |
| G         | 958 | x | 100 | 2 |
| H         | 534 | x | 100 | 1 |
| K         | 560 | x | 97  | 2 |
| A1+B1     | 300 | x | 70  | 4 |
| C1        | 477 | x | 70  | 2 |
| A         | 642 | x | 598 | 1 |
| C         | 990 | x | 566 | 1 |
| D1        | 509 | x | 305 | 2 |
| L         | 566 | x | 140 | 2 |

|       |     |       |     |        |     |
|-------|-----|-------|-----|--------|-----|
| 0013K | 1x  | 0001K | 18x | 0018K  | 22x |
|       |     |       |     |        |     |
|       |     | 8x40  |     |        |     |
| 0019K | 22x | 0054K | 12x | 0002V  | 8x  |
|       |     |       |     |        |     |
|       |     |       |     | 3,5x16 |     |
| 0002K | 4x  | 0007V | 26x | 0004K  | 4x  |
|       |     |       |     |        |     |
|       |     | 3x20  |     |        |     |
| 0159K | 8x  | 0086K | 4x  | 0006V  | 16x |
|       |     |       |     |        |     |
| 4x25  |     |       |     | 5x16   |     |
| 0043K | 2x  | 0005V | 8x  |        |     |
|       |     |       |     |        |     |
|       |     | 7x50  |     |        |     |

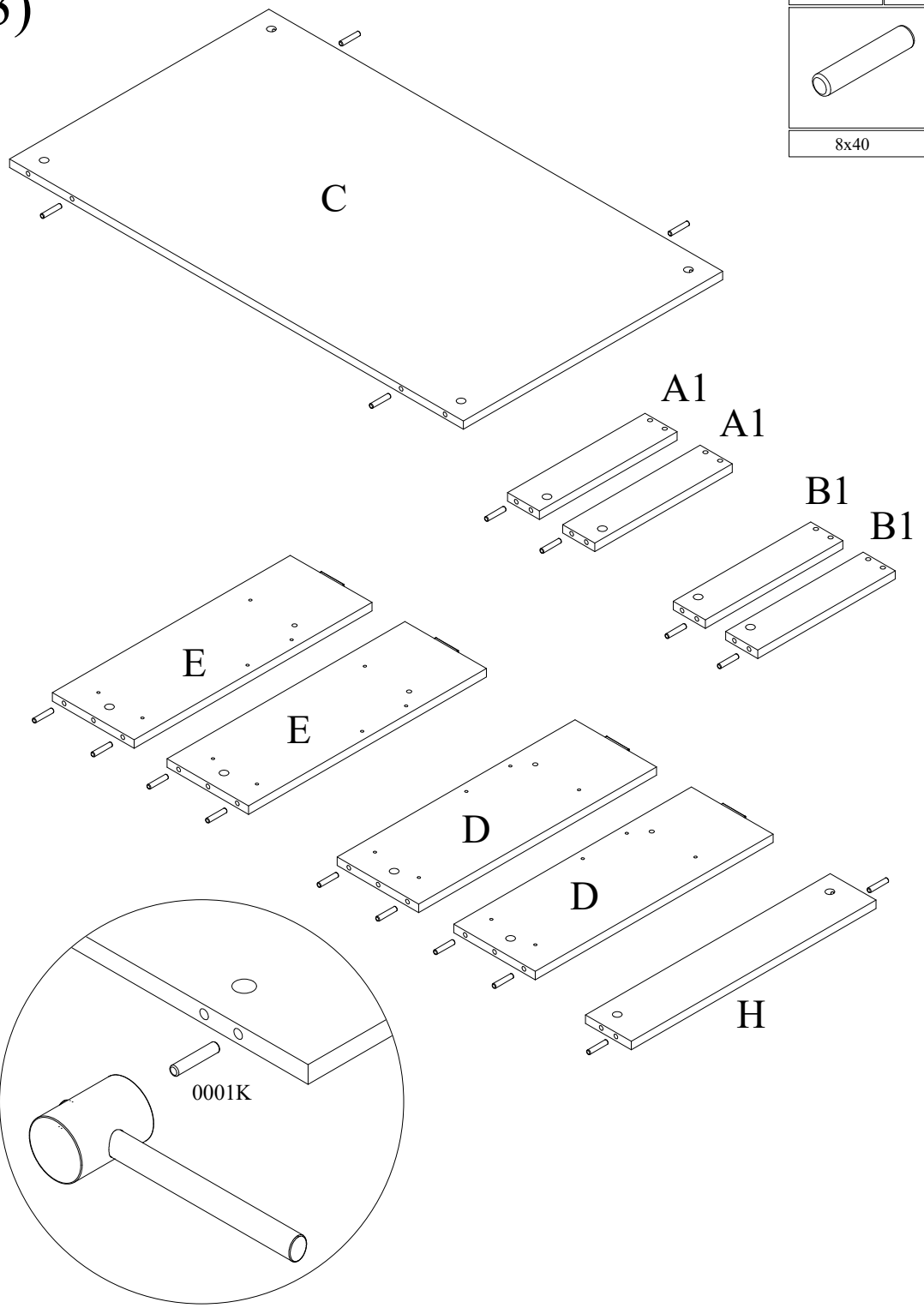
1)



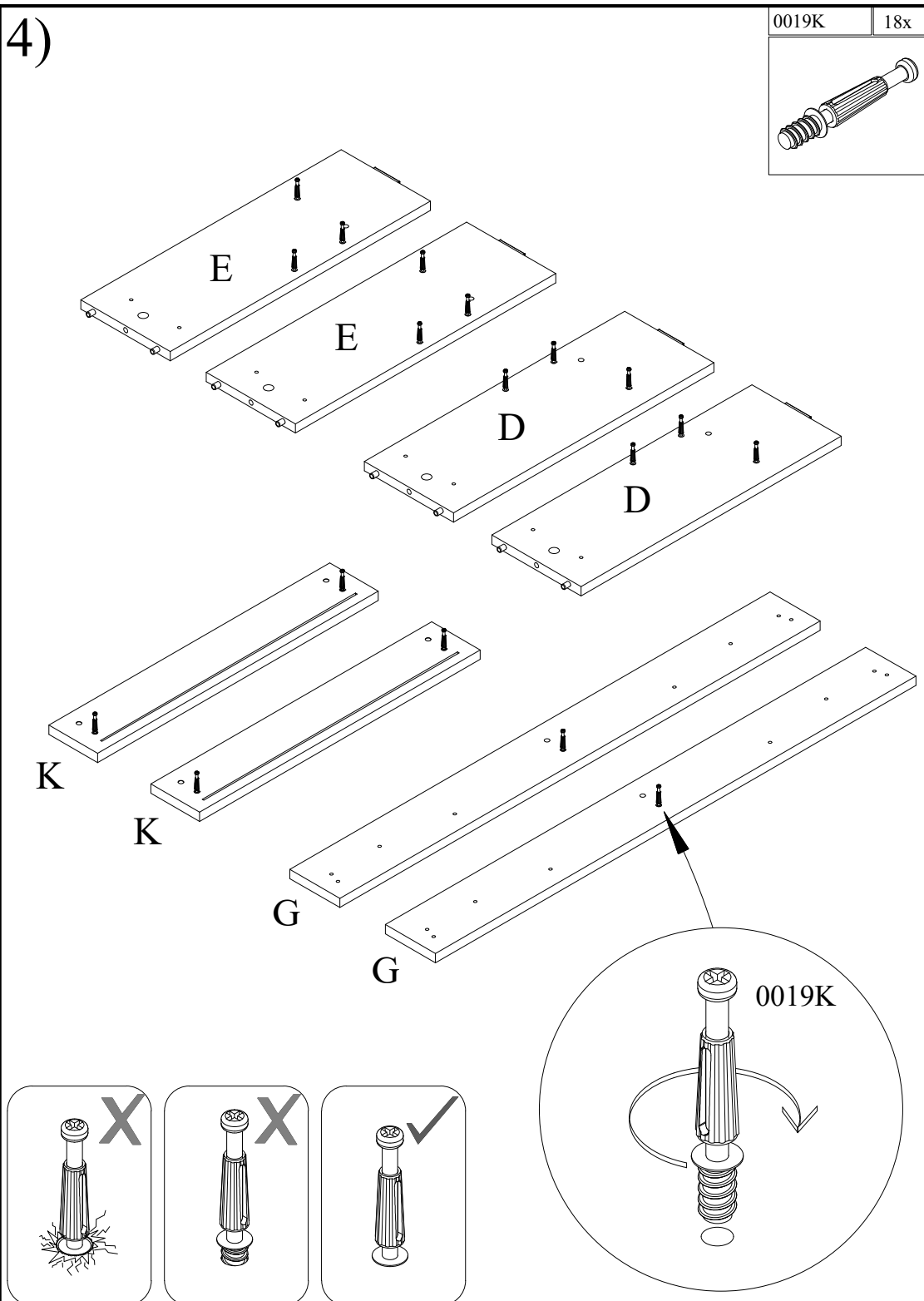
2)

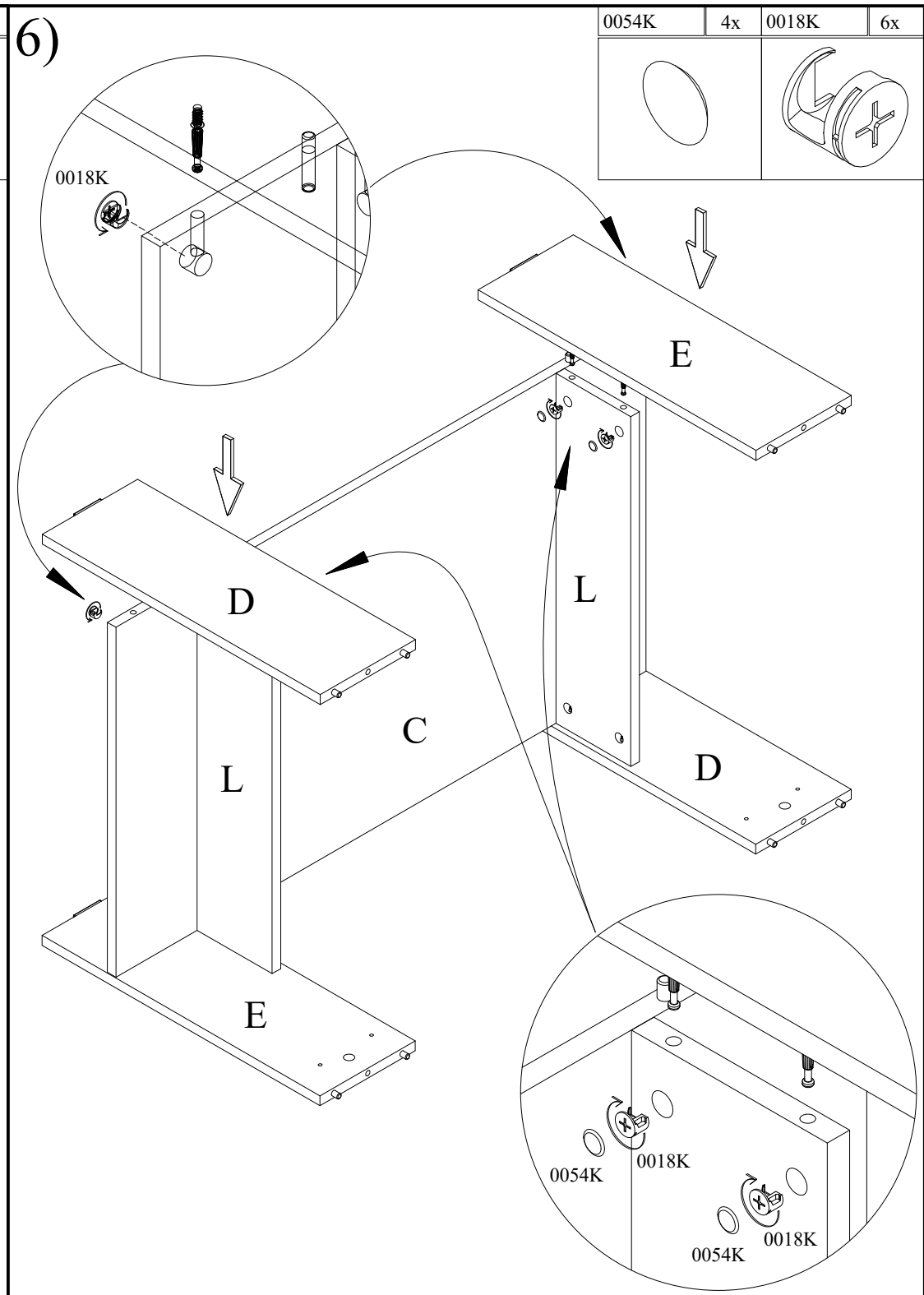
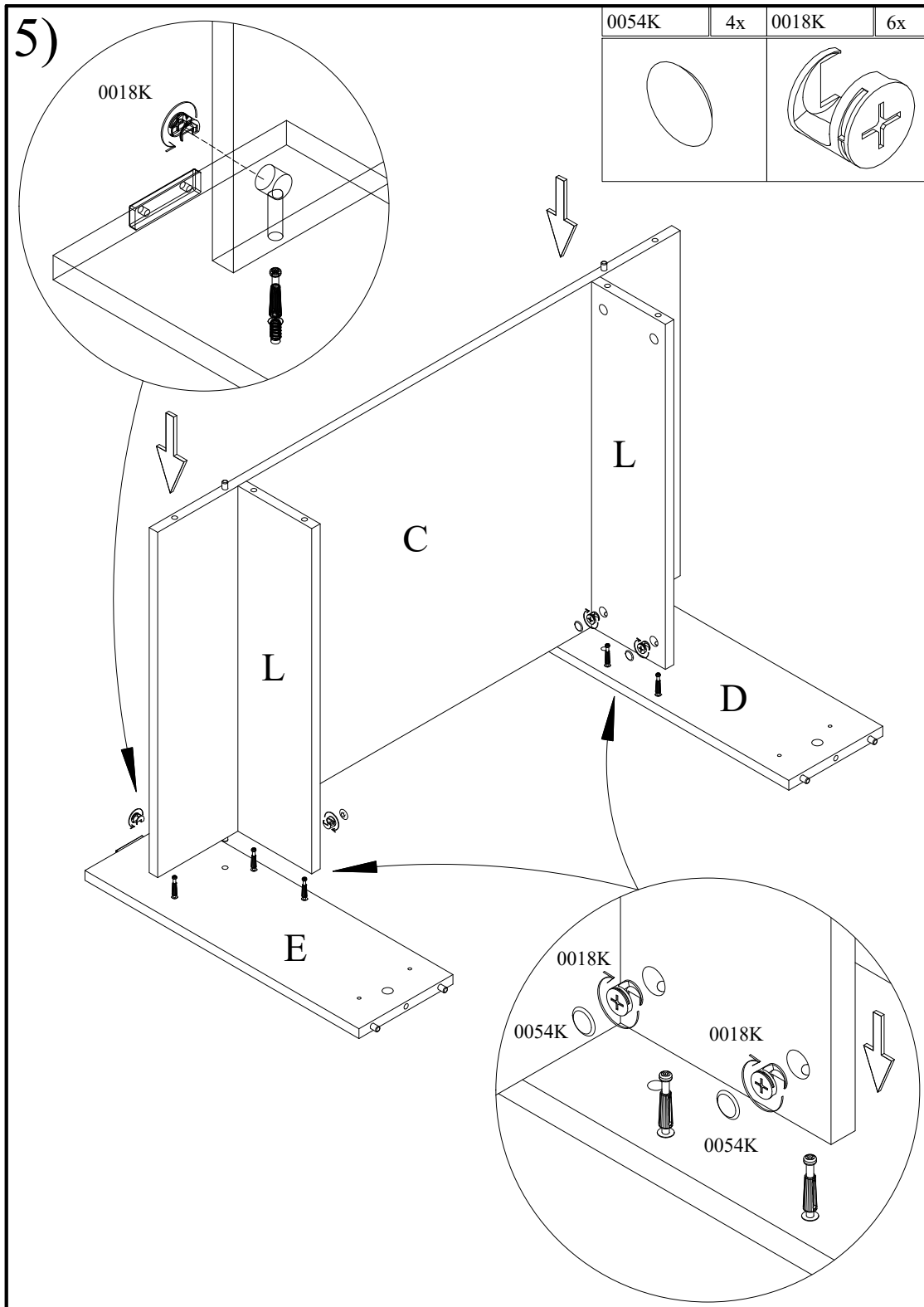


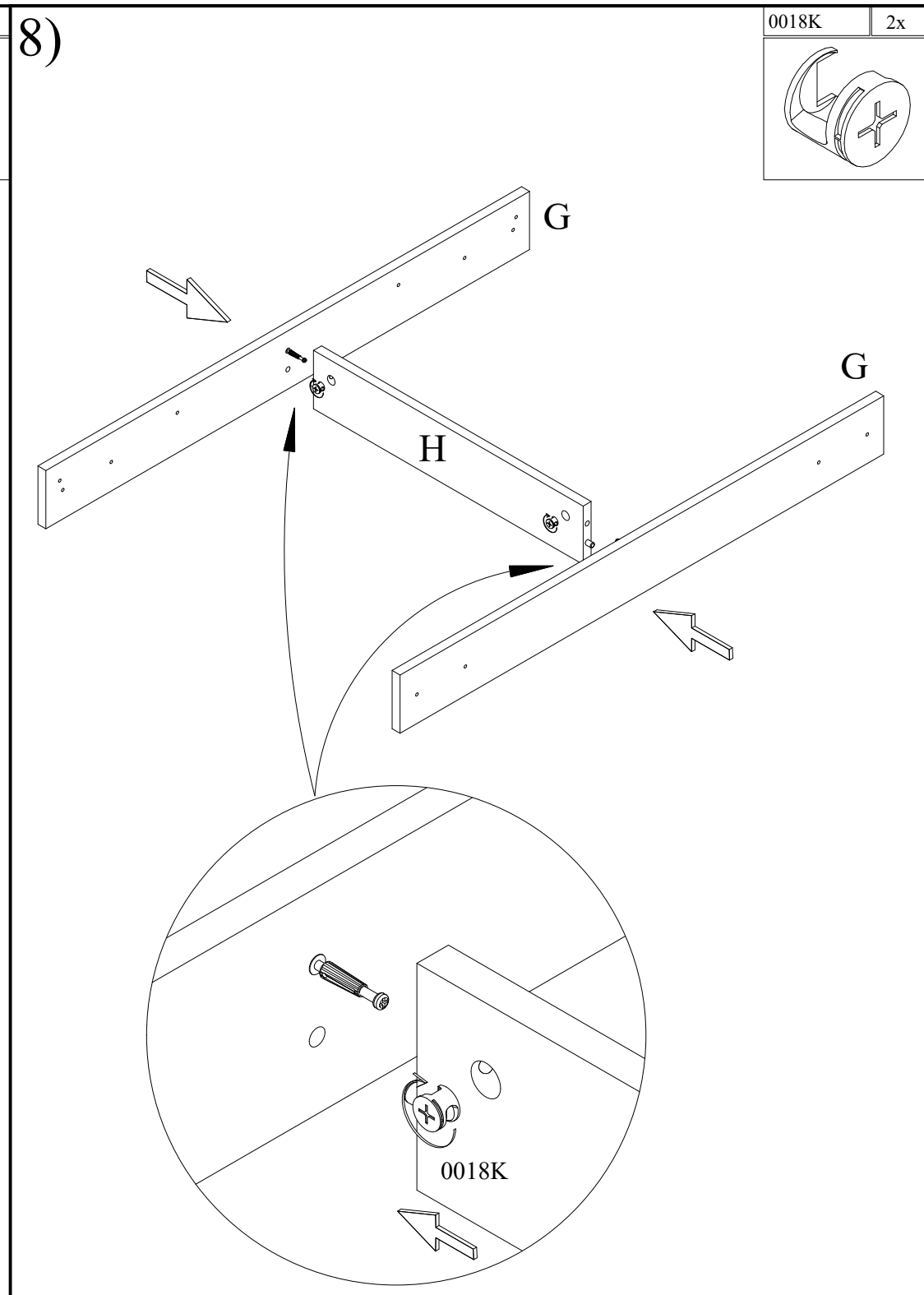
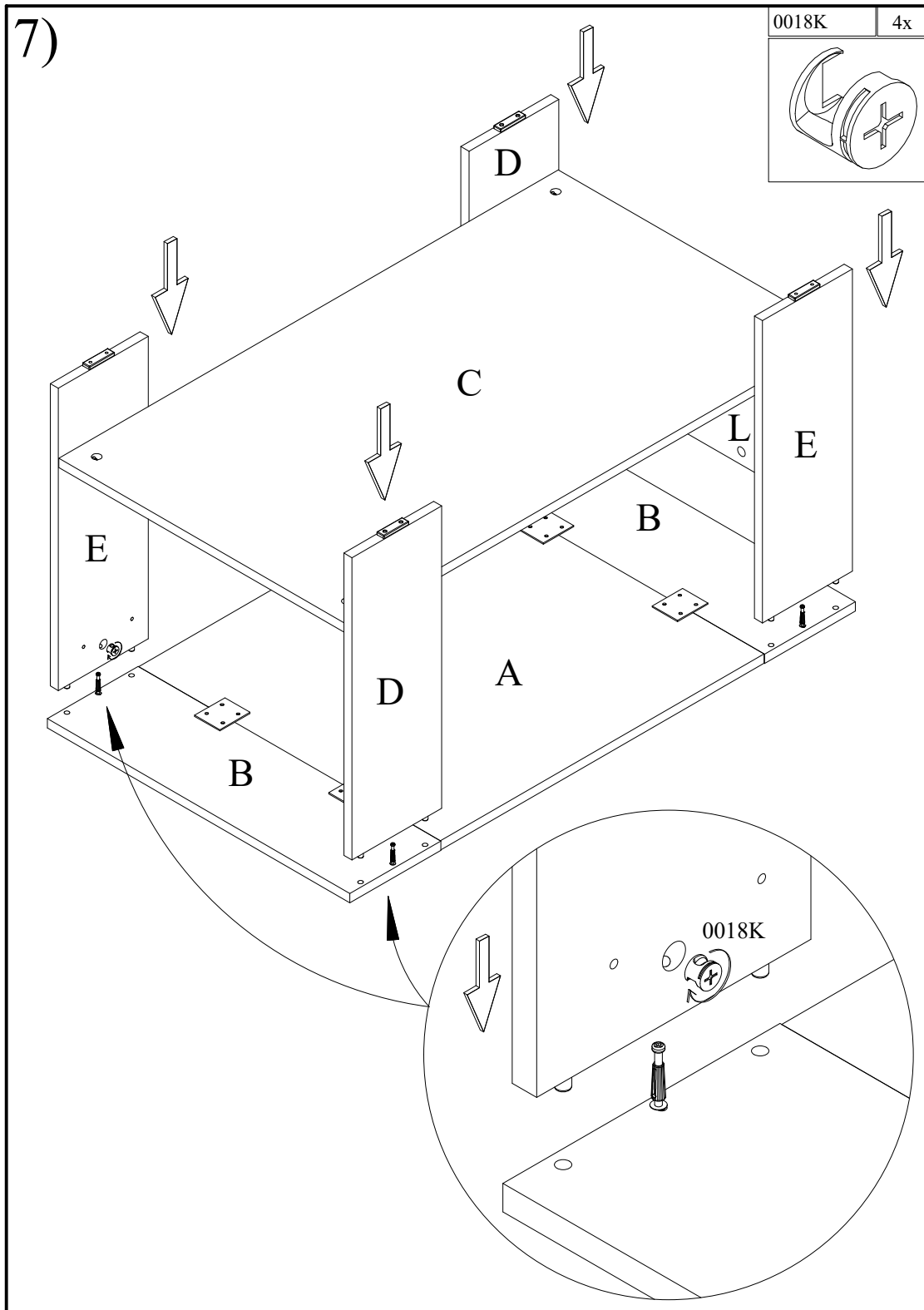
3)




4)







9)

|  |    |
|--|----|
| 0159K  | 8x |
|  |    |
| 4x25   |    |

