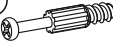


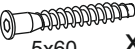


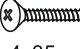

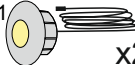


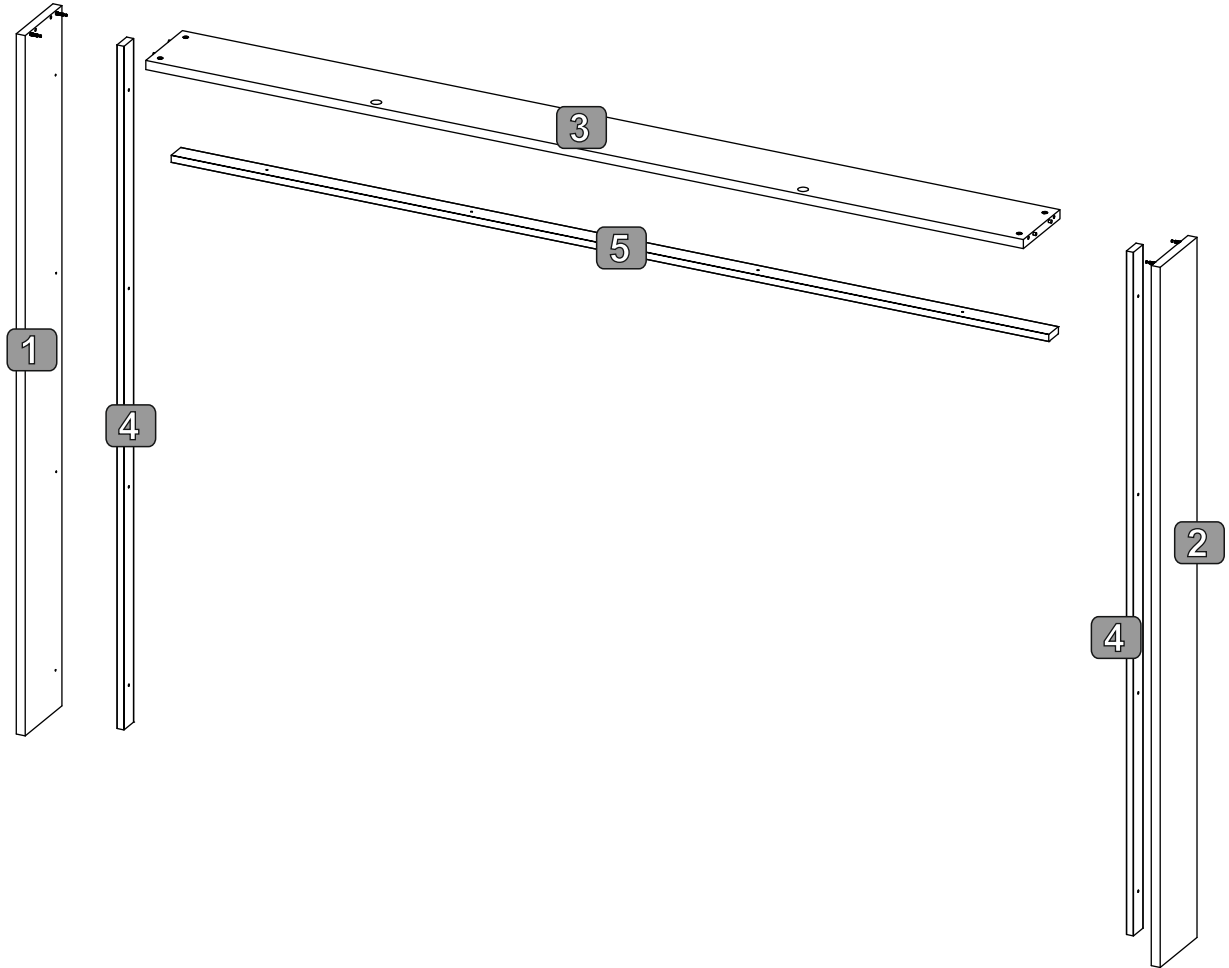
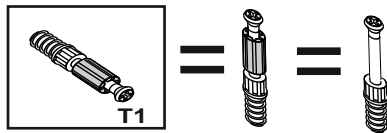
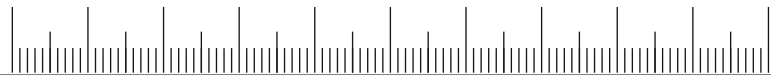


- T1**  x4
- M1**  x4
- B1**  $\phi 8 \times 28$ x4
- K1**  5x60 x8
- G7**  x1
- C2**  $\phi 13$ x14
- S13**  4x35 x10
- F15**  x2
- LED-01  x2
- LED-ZA-01  x1
- LED-ZAP01  x1

Nr	Ausmaß			St
1	2146	230	28	1
2	2146	230	28	1
3	2745	229	28	1
4	2095	60	22	2
5	2745	60	22	1

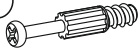


0 10 20 30 40 50 60 70 80 90 100



1

T1

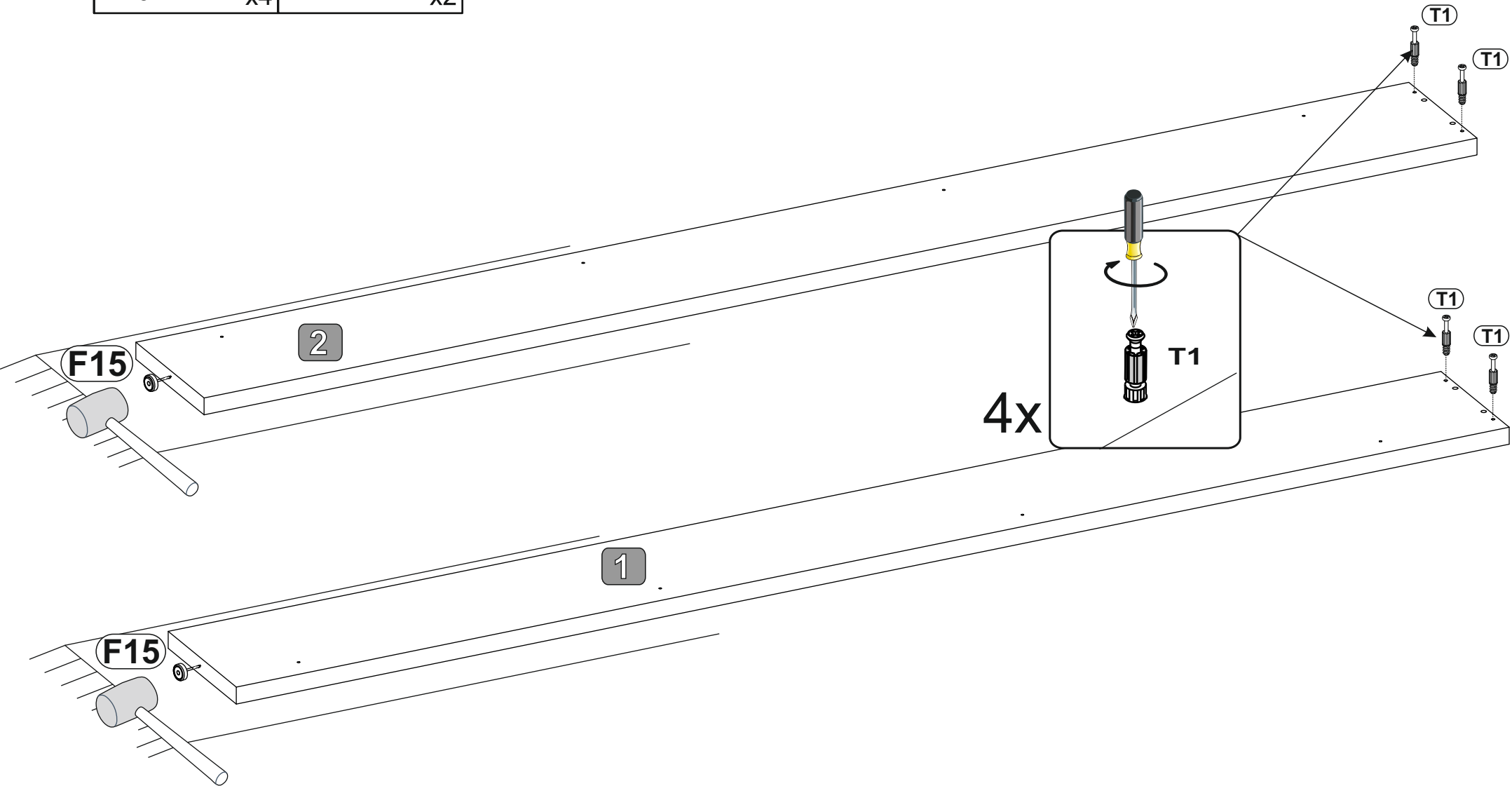


x4

F15



x2



4x

T1

T1

T1

T1

T1

2

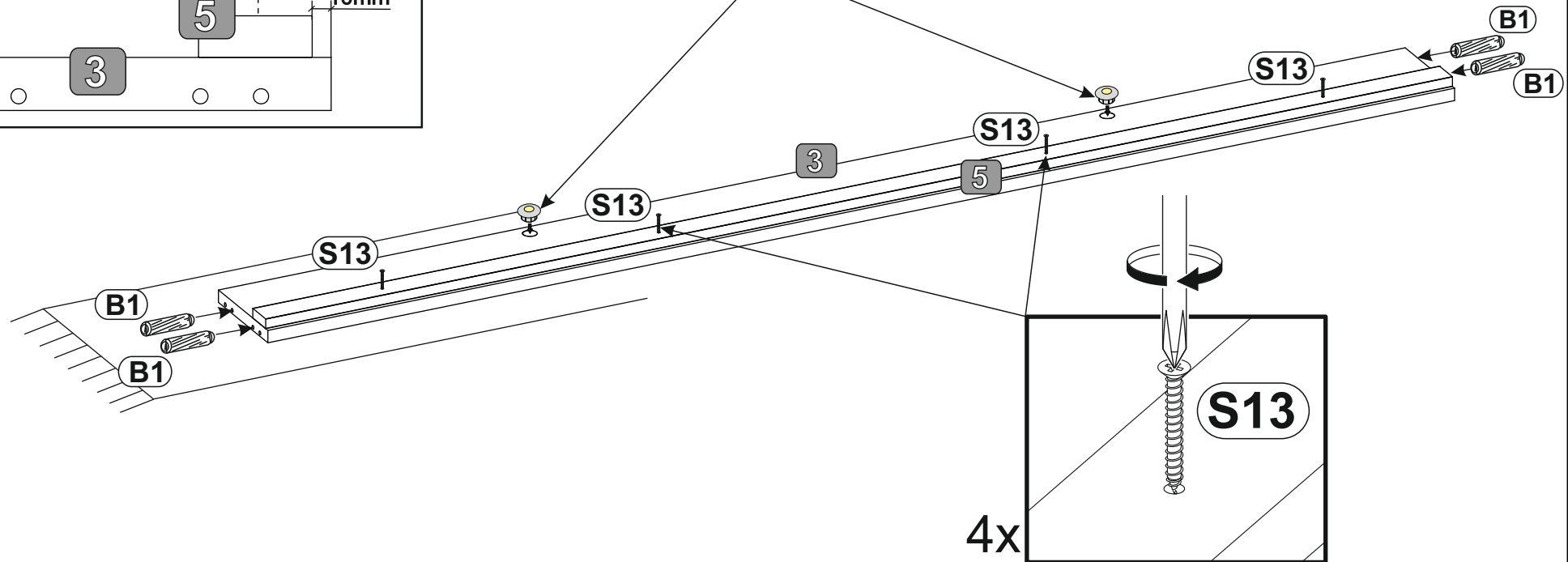
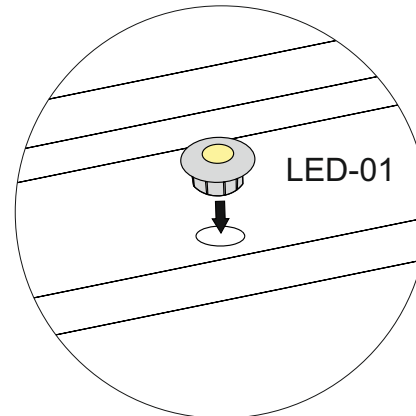
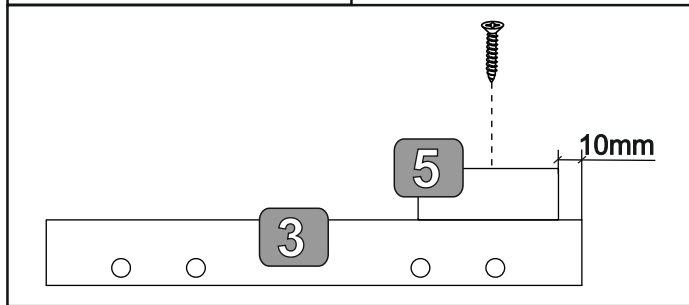
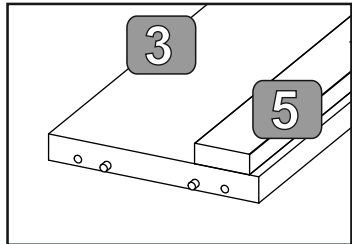
1

F15

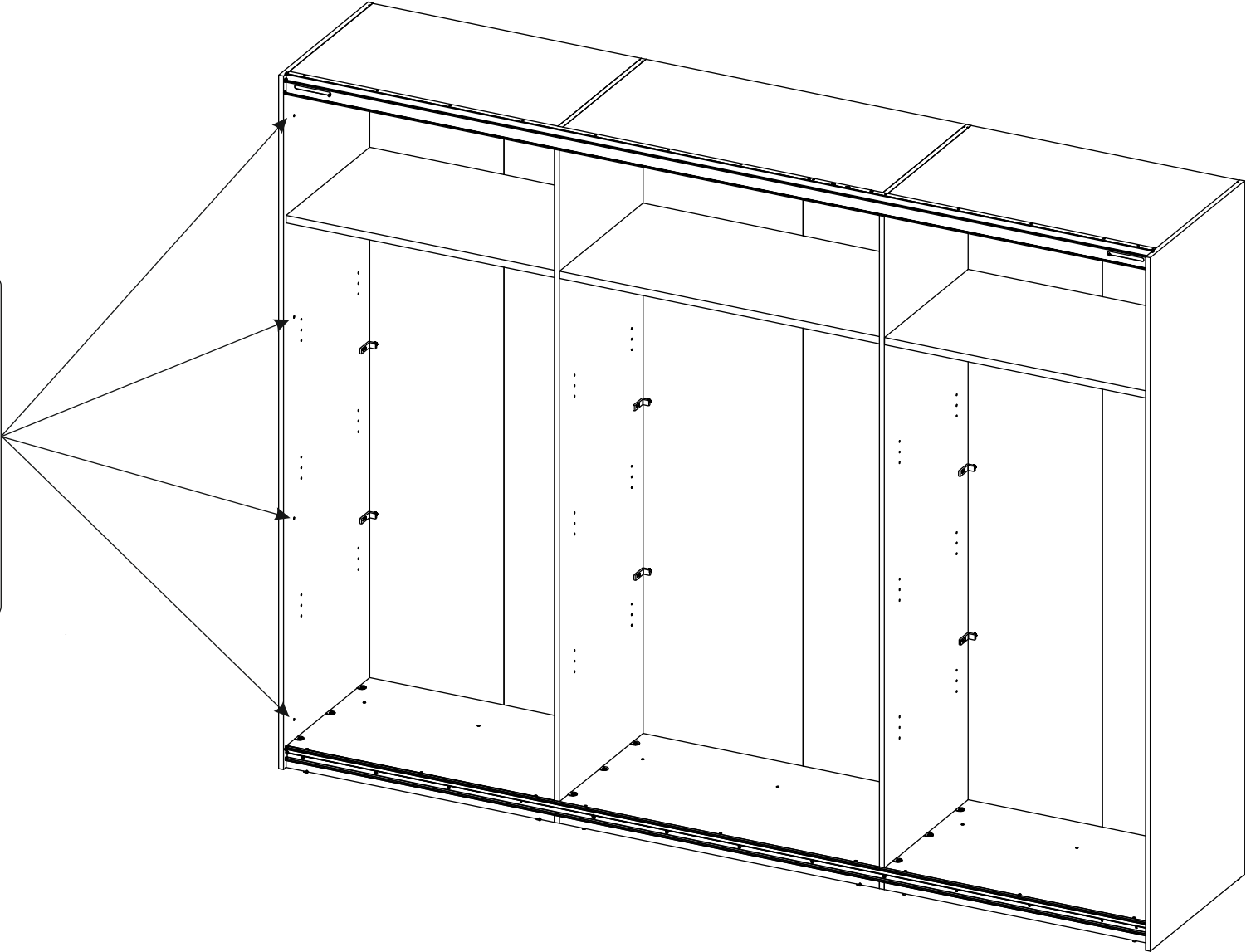
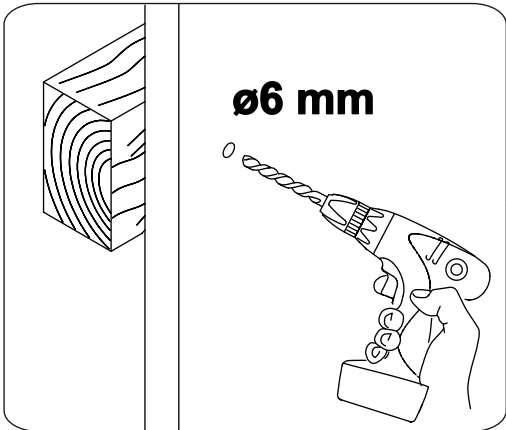
F15

2

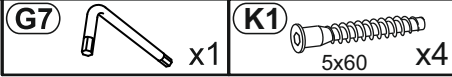
LED-01 x2	S13 4x35 X4	B1 φ8x28 X4
--------------	-----------------------	-----------------------



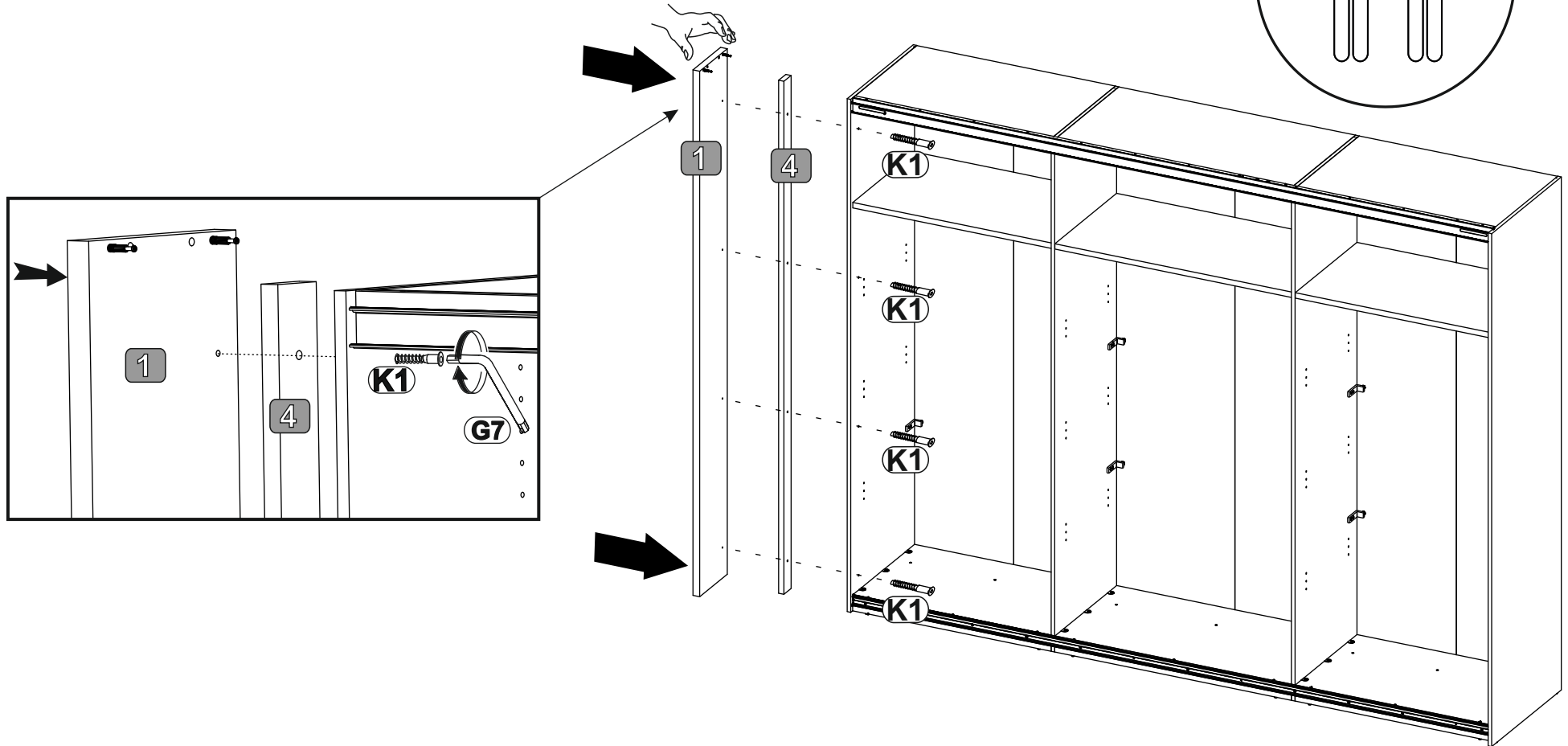
3



4



4x



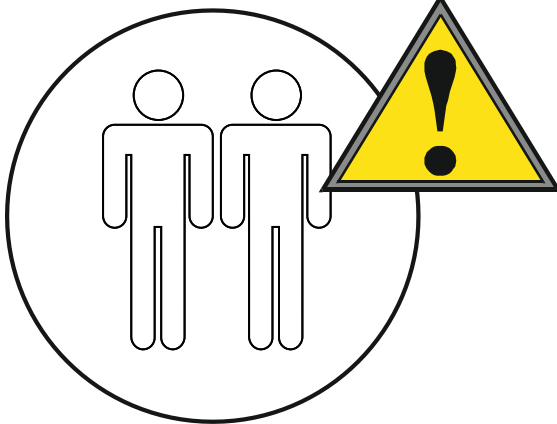
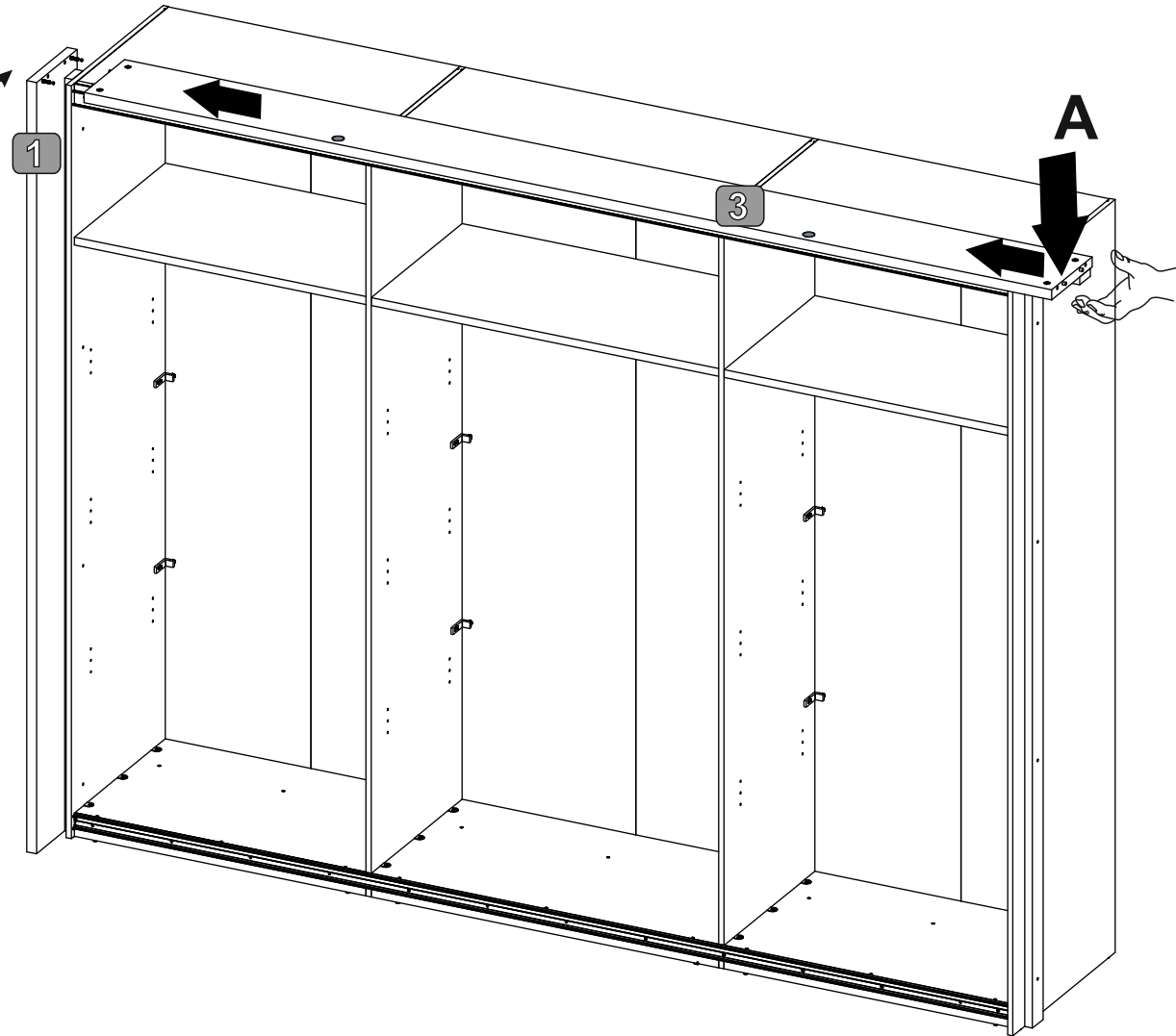
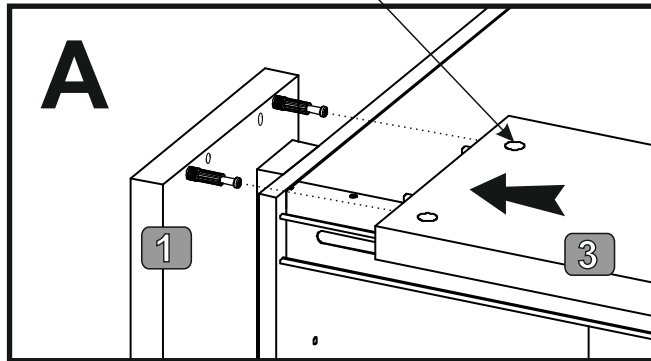
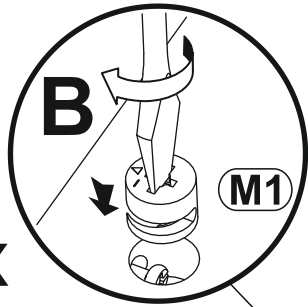
5

M1

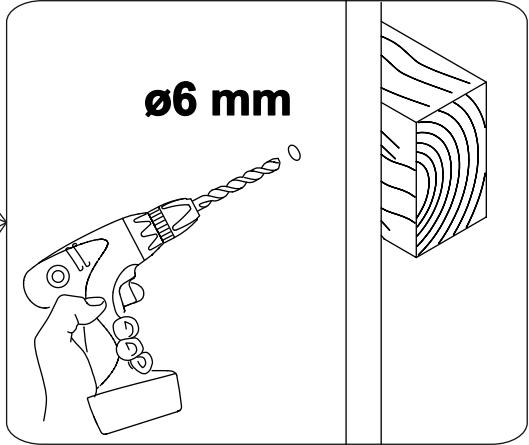
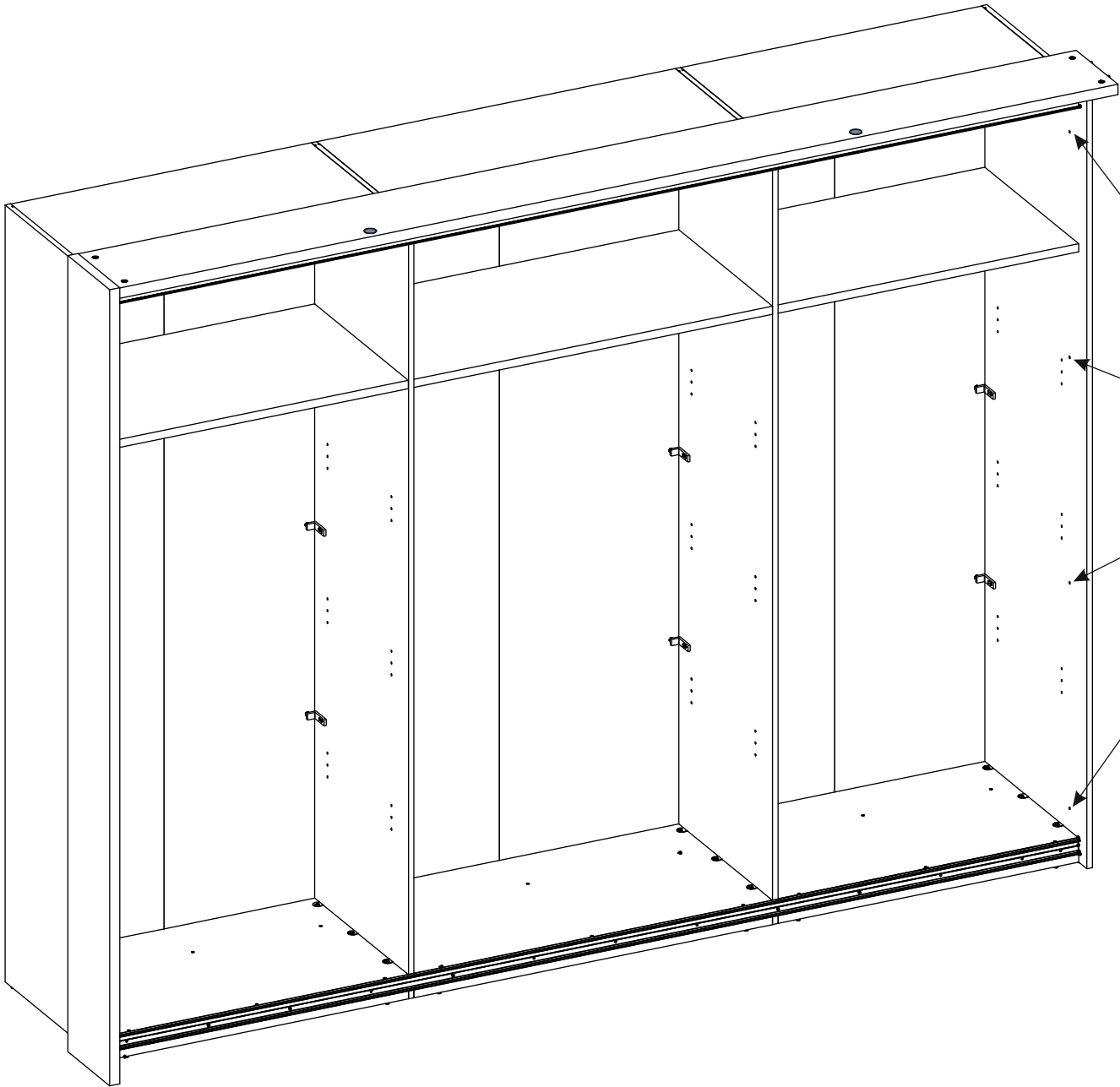


x2

2x



6



7

G7

x1

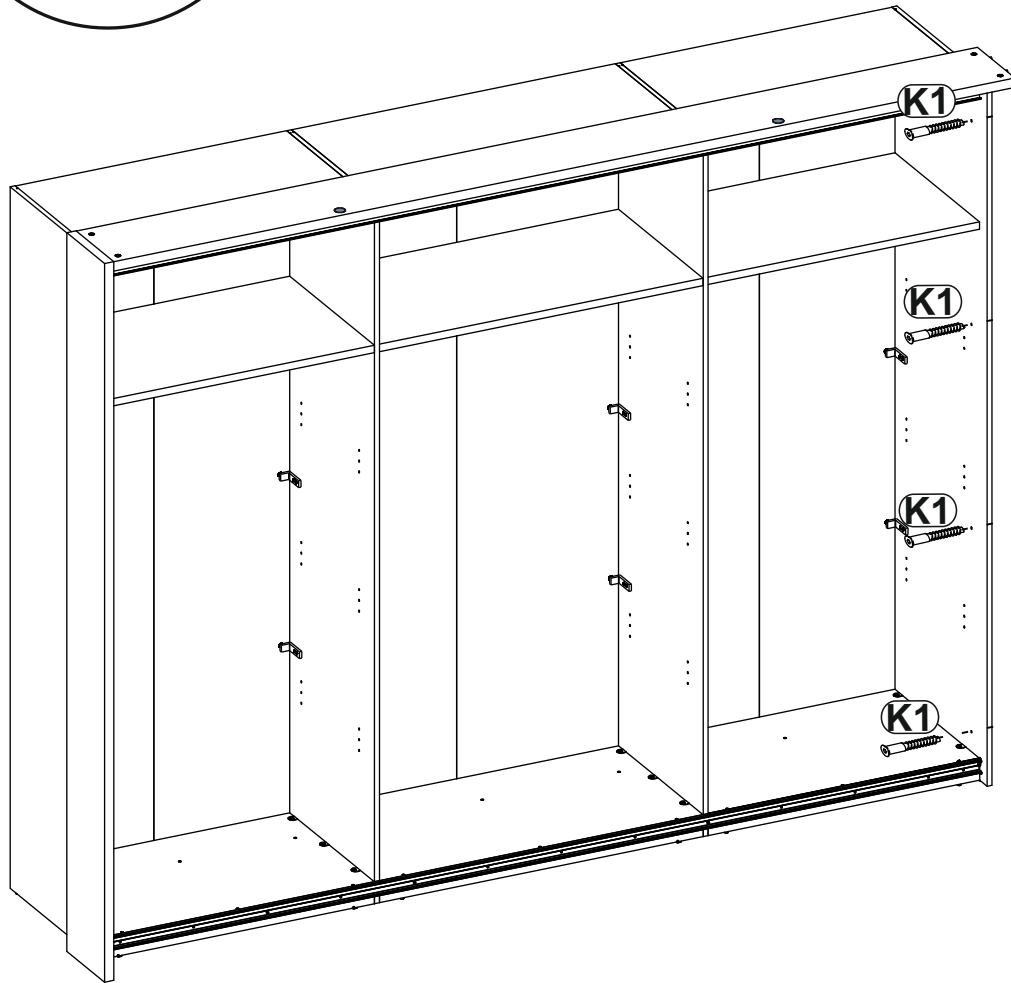
K1

5x60

x4

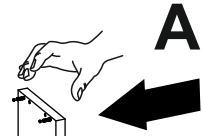
M1

x2

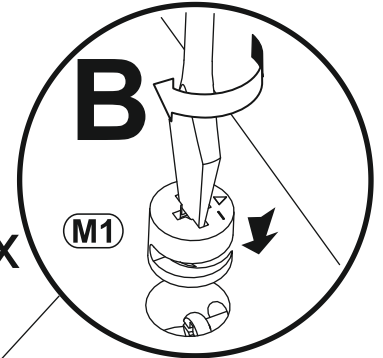


4

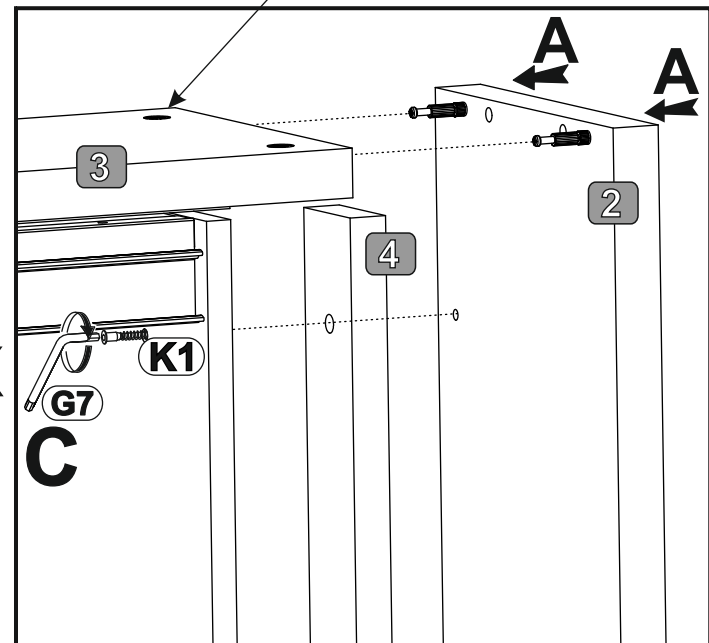
2



4x



2x

B**M1**

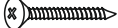
3

2

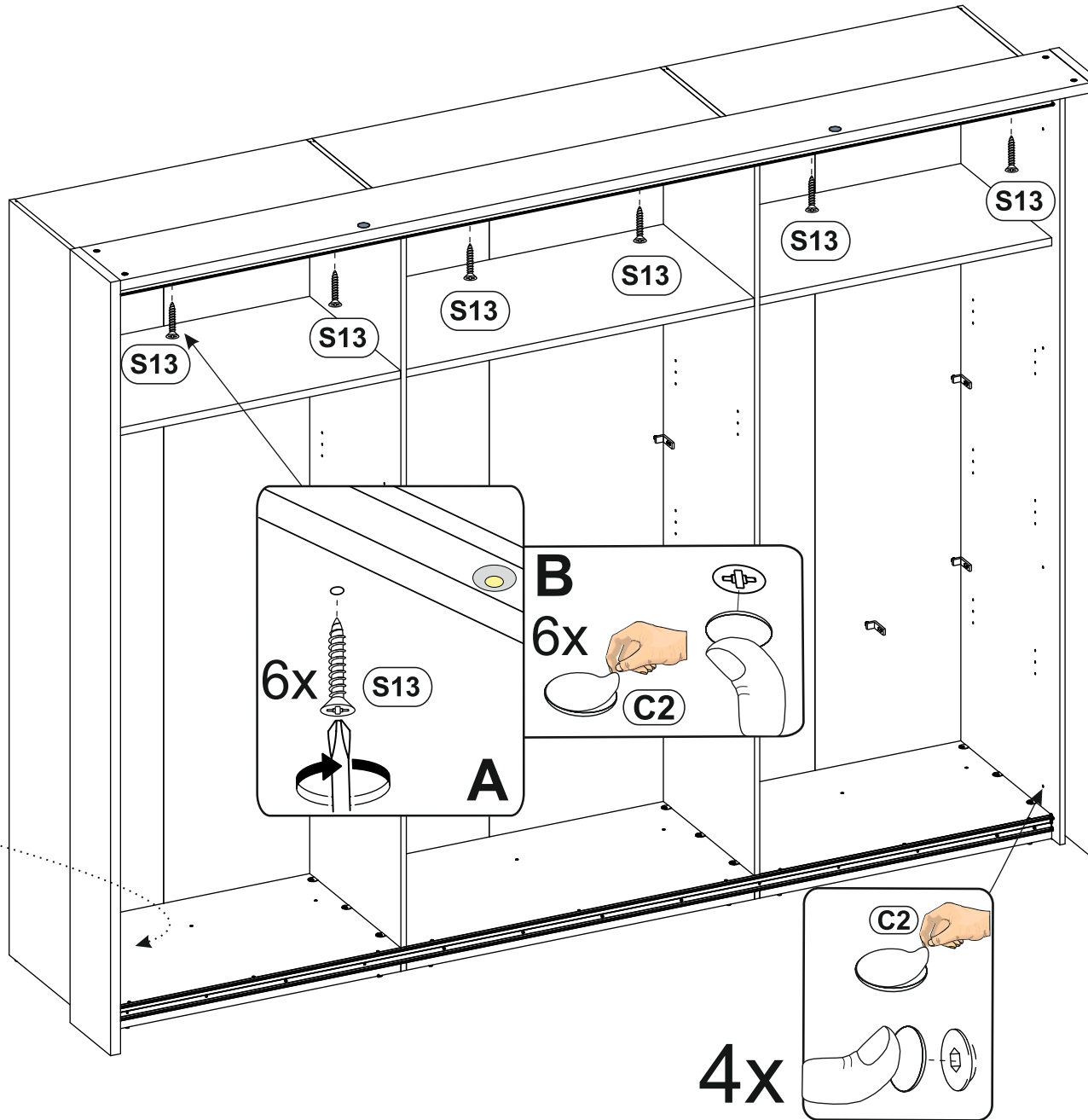
4

**K1****C**

8

S13  4x35 x6

C2  $\phi 13$ x14



9

- LED-ZA-01 x1
- LED-ZAP01 x1

