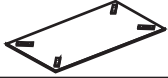








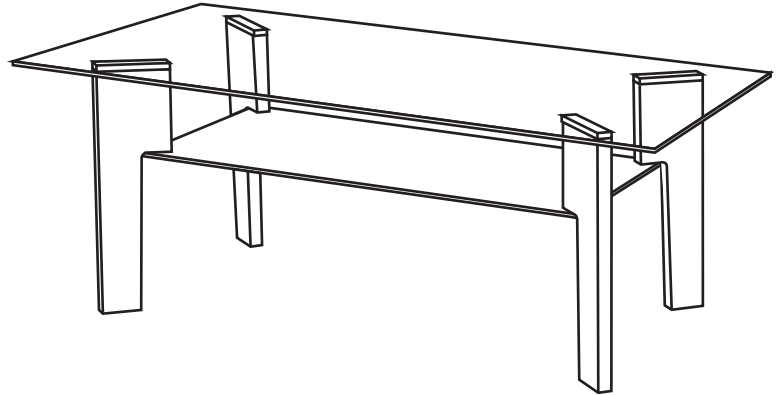


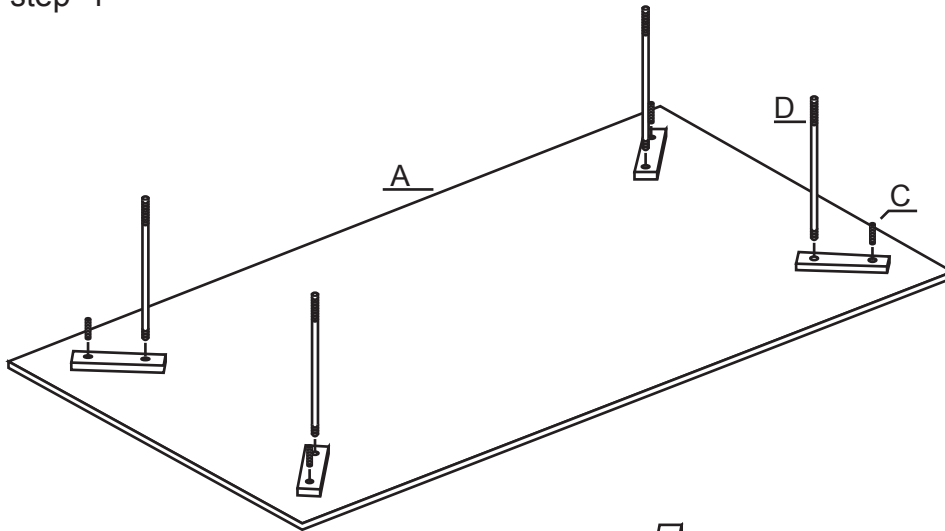
ASSEMBLY INSTRUCTION

Item NO: Johnny

HARDWARE LIST			
NO.	PART	DESCRIPTION	Q'TY
A		glass top	1
B		glass bottom	1
C		short rod	4
D		rod	4
E		leg	4
F		plastic gasket	4
G		caps	4
H		screw nut	4
I		hexagon spanner	1



step 1



step 2

