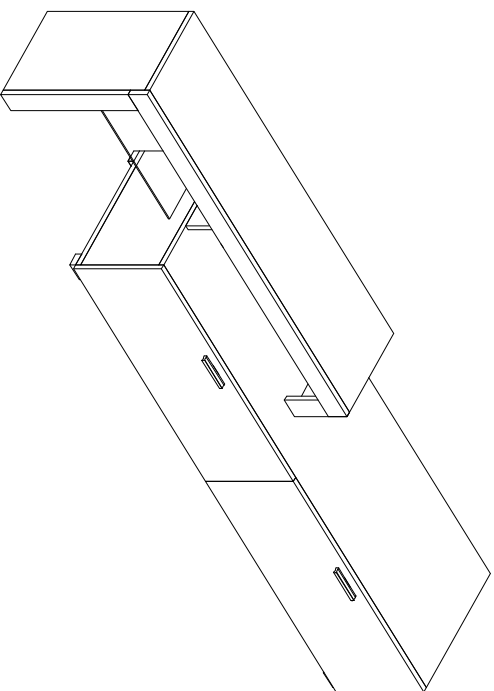


# HARRY

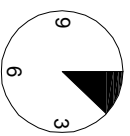
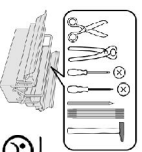
RTV 225



7.07.2016

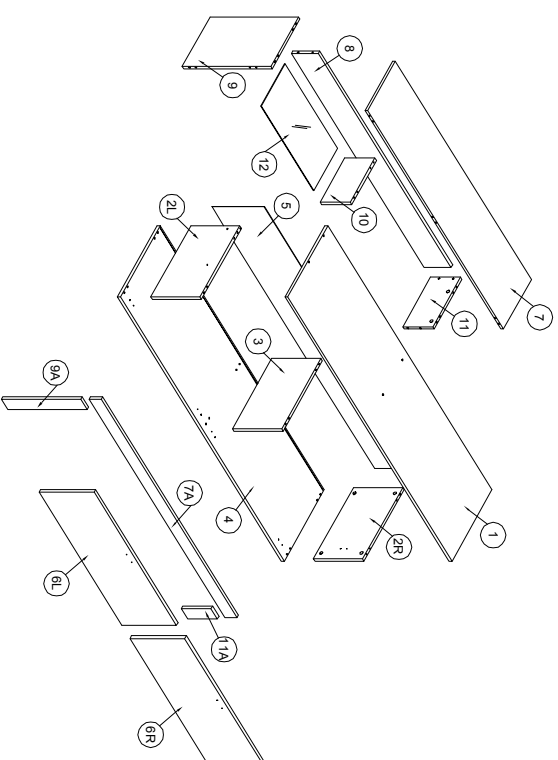
H2

- D** Montageanleitung
- FR** Notice de montage
- NL** Handleiding voor de montage
- CZ** Montážní návod
- HU** Szerelési útmutató
- TR** Montaj talimatı
- GB** Assembly Instructions
- IT** Istruzioni di montaggio
- PL** Instrukcja montażu
- SK** Návod na montáž
- RO** Instrucțiuni de montaj
- RU** Инструкции по монтажу

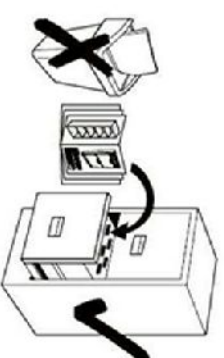
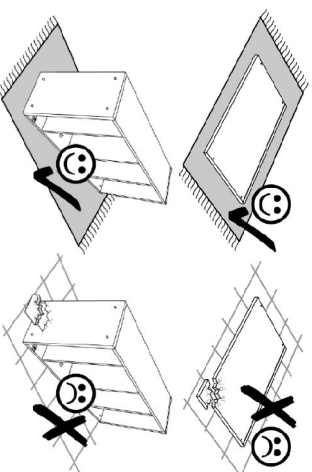


2-2,5

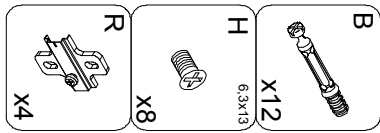
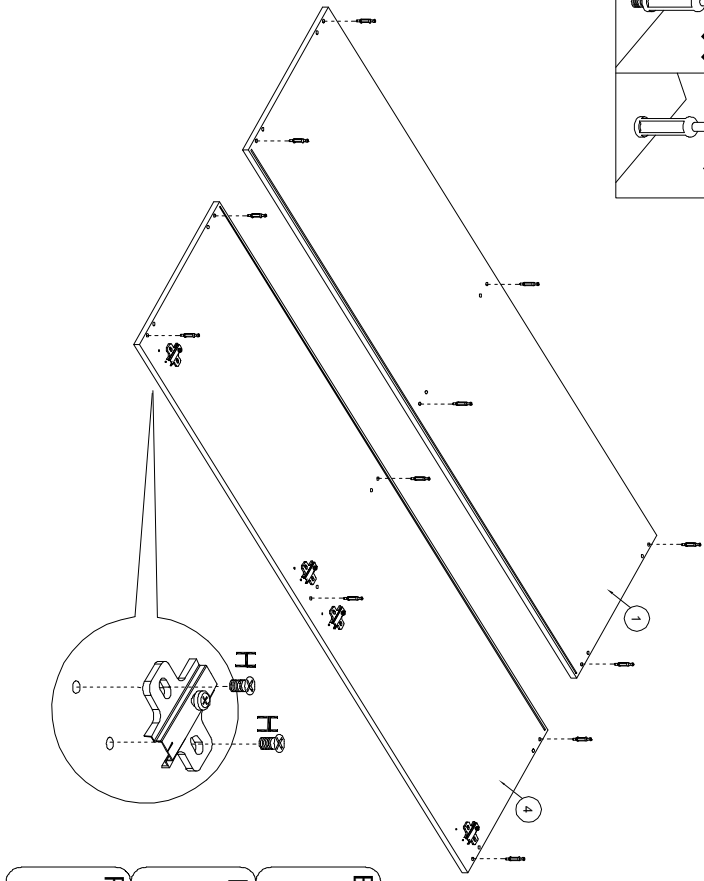
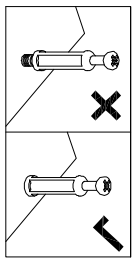
1



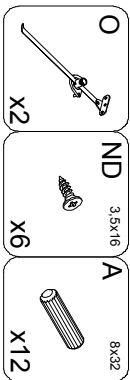
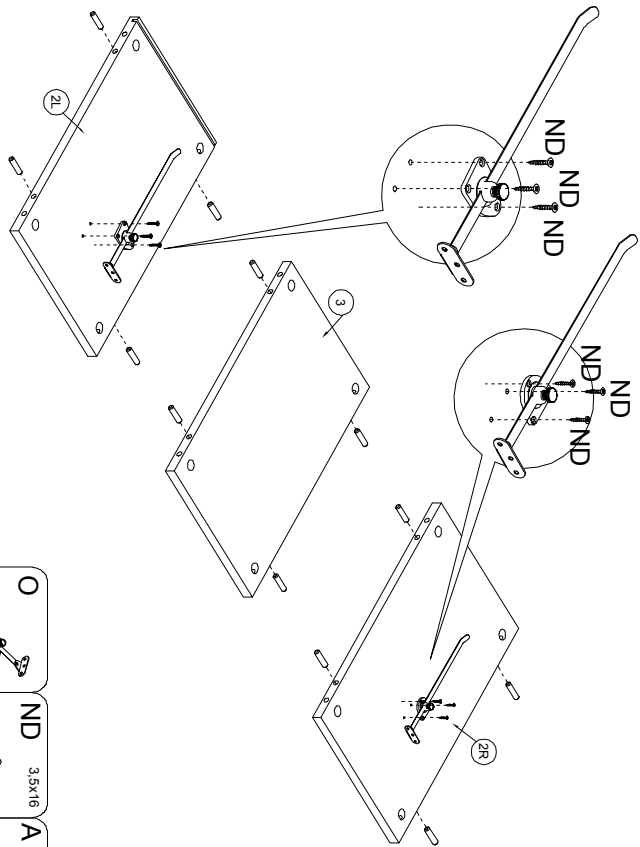
|                          |                 |                            |                         |                         |                         |                 |                        |                         |
|--------------------------|-----------------|----------------------------|-------------------------|-------------------------|-------------------------|-----------------|------------------------|-------------------------|
| <b>H</b><br>6.3x13<br>X8 | <b>B</b><br>X23 | <b>C</b><br>X23            | <b>Z</b><br>X23         | <b>NA</b><br>4x13<br>X8 | <b>PC</b><br>X4         | <b>ZE</b><br>X4 | <b>WB</b><br>X1        | <b>YD</b><br>7x50<br>X1 |
| <b>R</b><br>X4           | <b>O</b><br>X2  | <b>ND</b><br>3.5x16<br>X10 | <b>A</b><br>8x32<br>X33 | <b>W</b><br>X2          | <b>YA</b><br>4x27<br>X4 | <b>Y</b><br>X5  | <b>N</b><br>3x20<br>X2 | <b>X</b><br>X1          |
|                          |                 |                            |                         |                         |                         |                 |                        | <b>GLUE</b><br>X6<br>X1 |



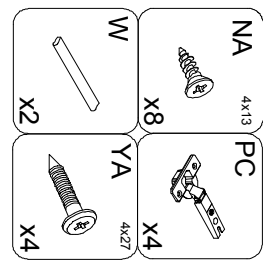
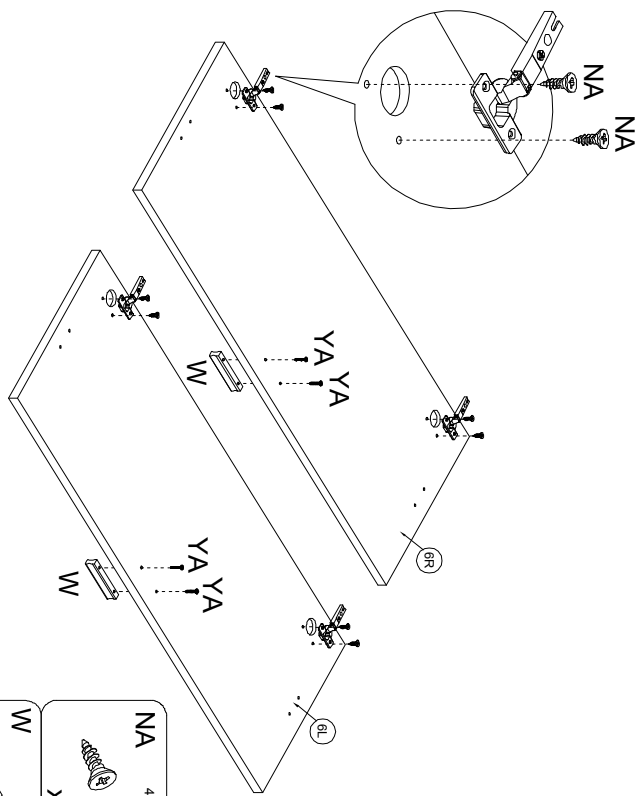
2



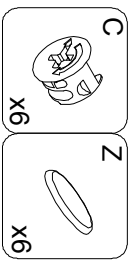
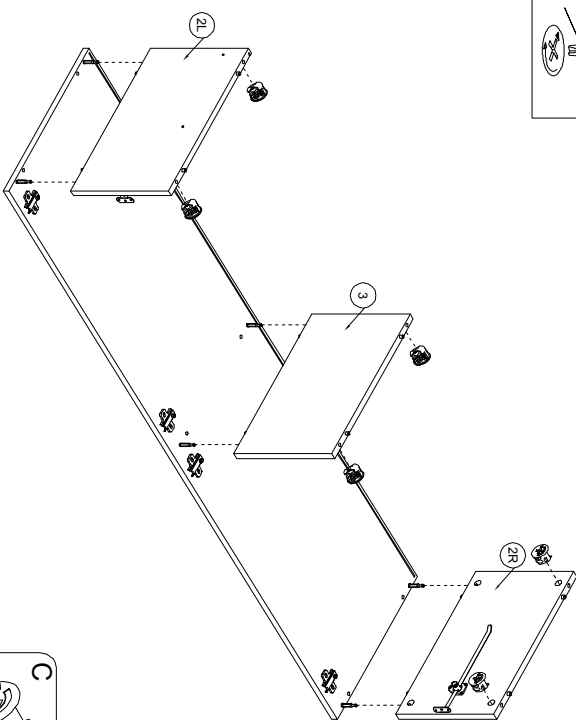
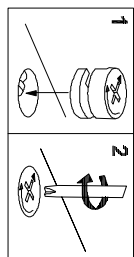
3



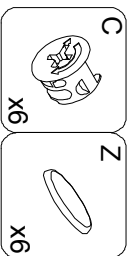
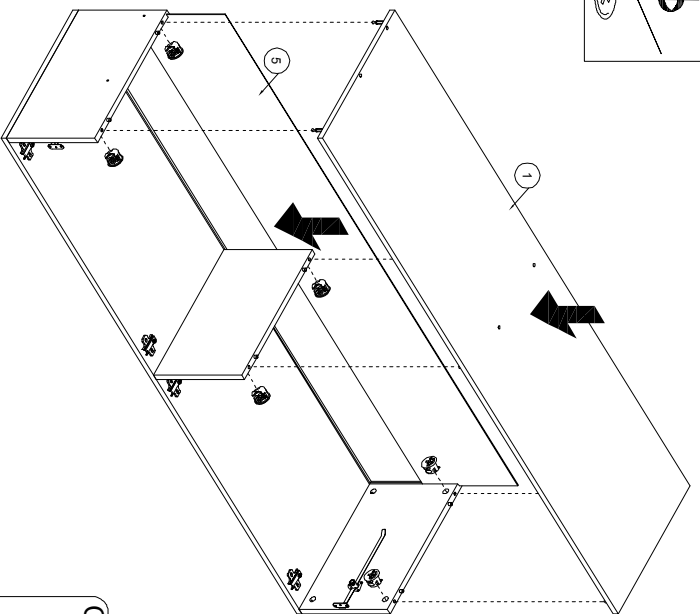
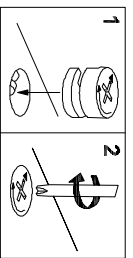
4



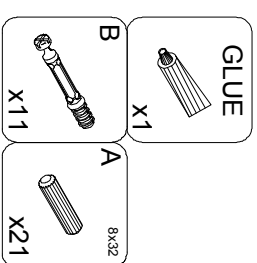
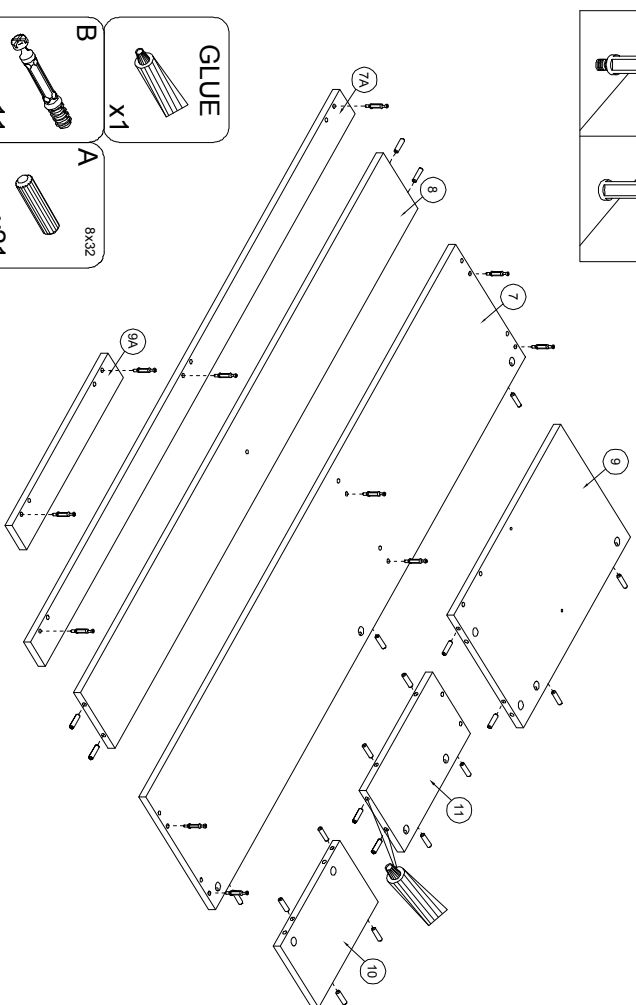
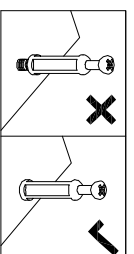
5



6

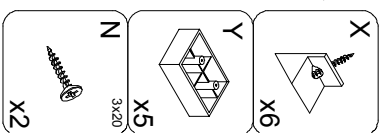
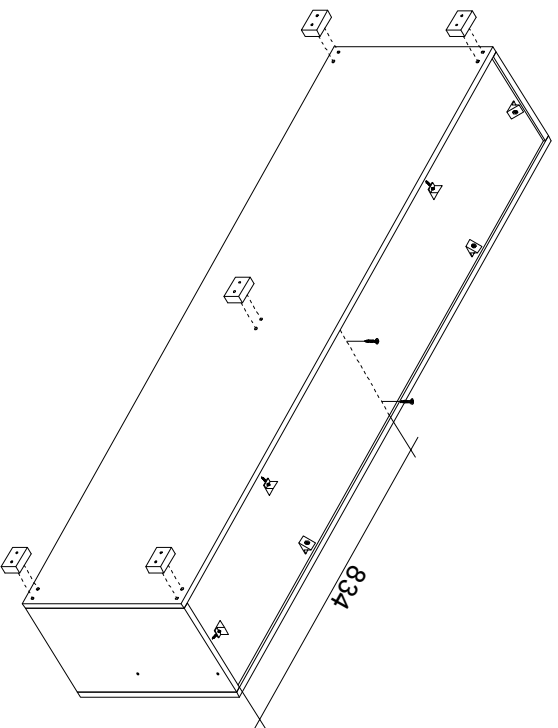
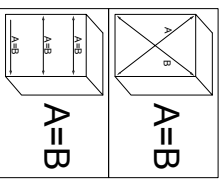


7

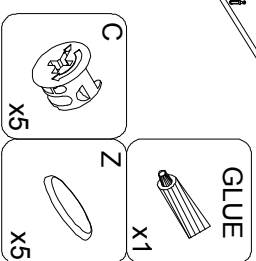
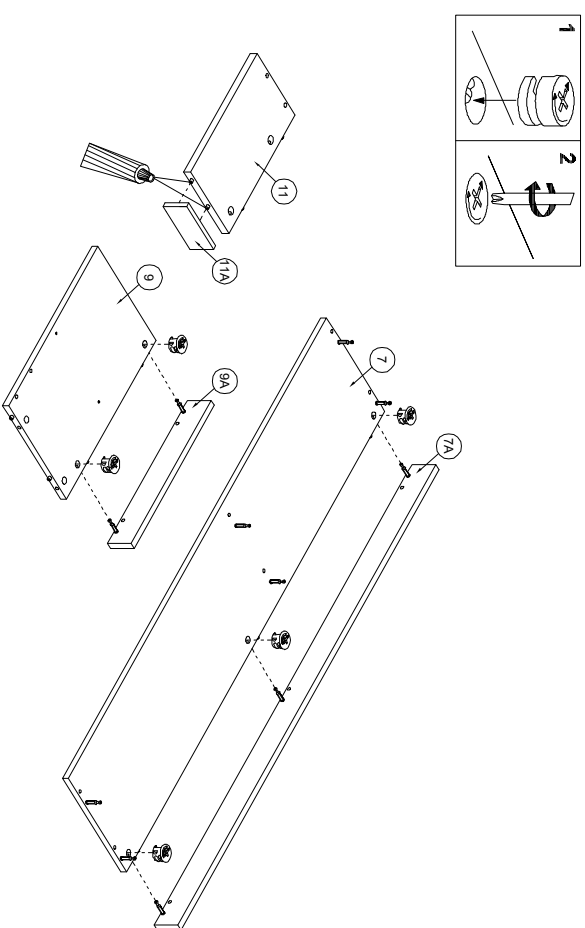


9

8

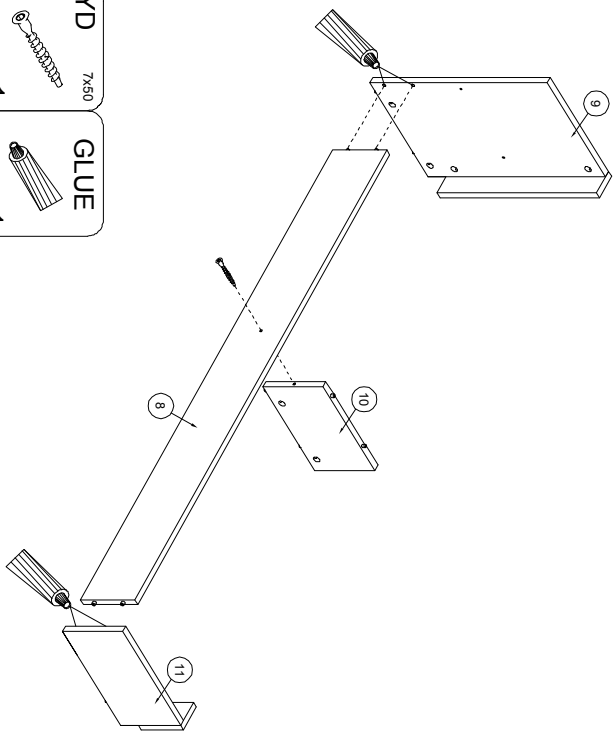


10

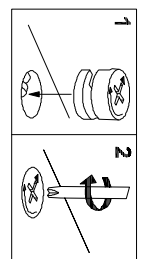


10

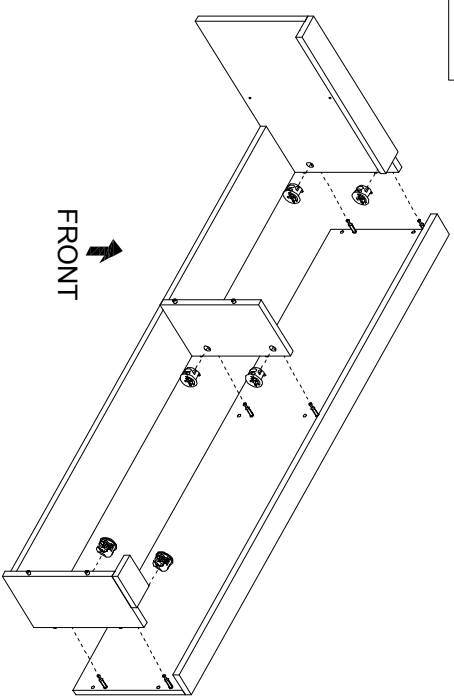
11



- WB x1
- YD 7x50 x1
- GLUE x1

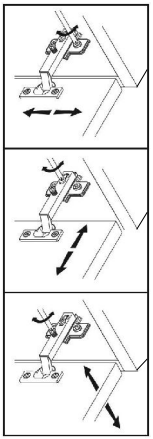
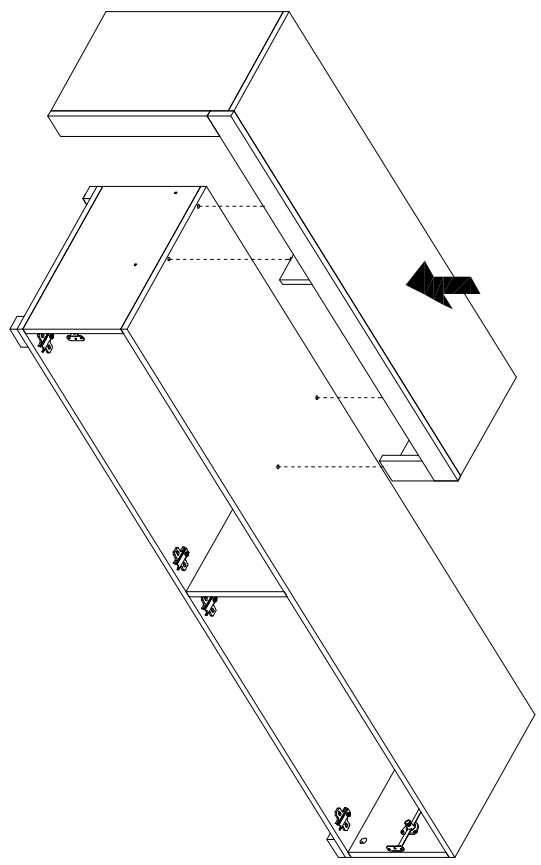


12

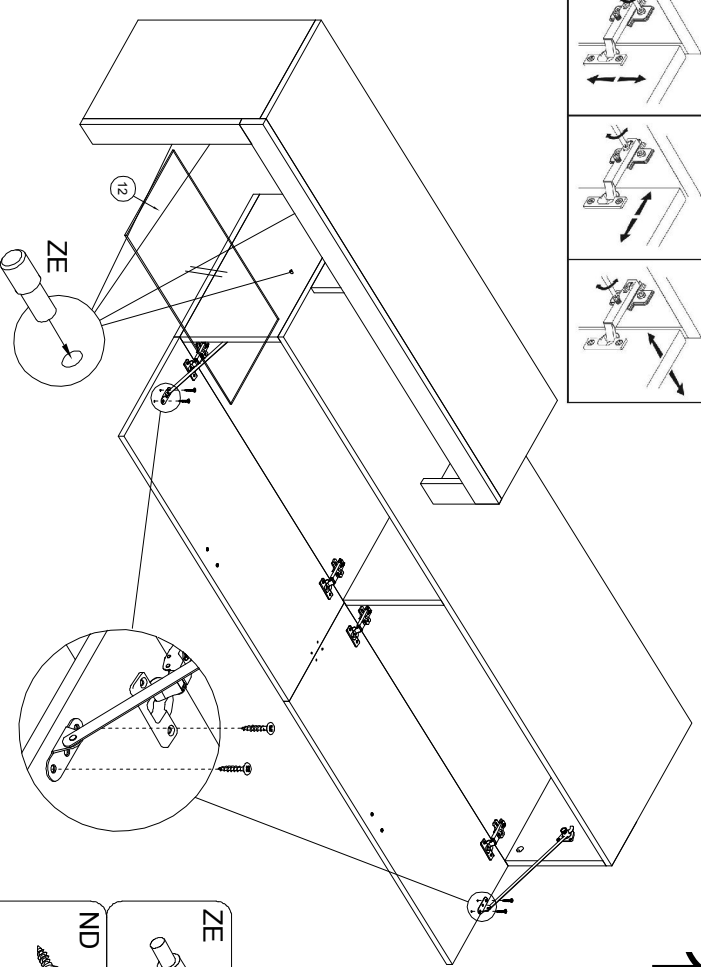


- C x6
- Z x6

13



14



- ZE x4
- ND 3.5x16 x4