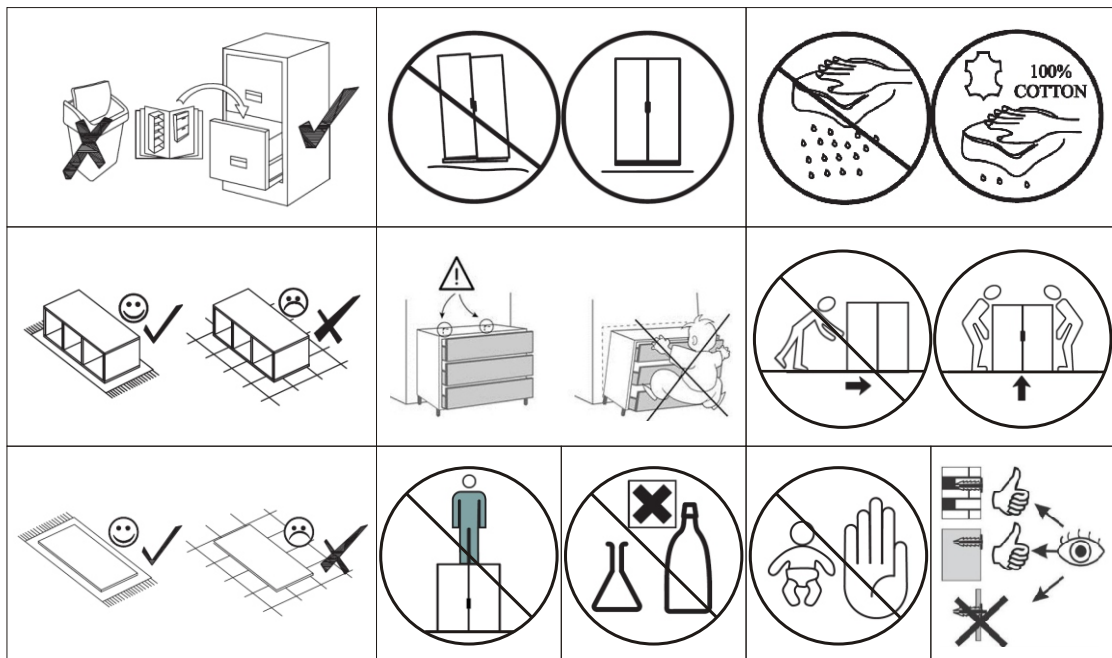
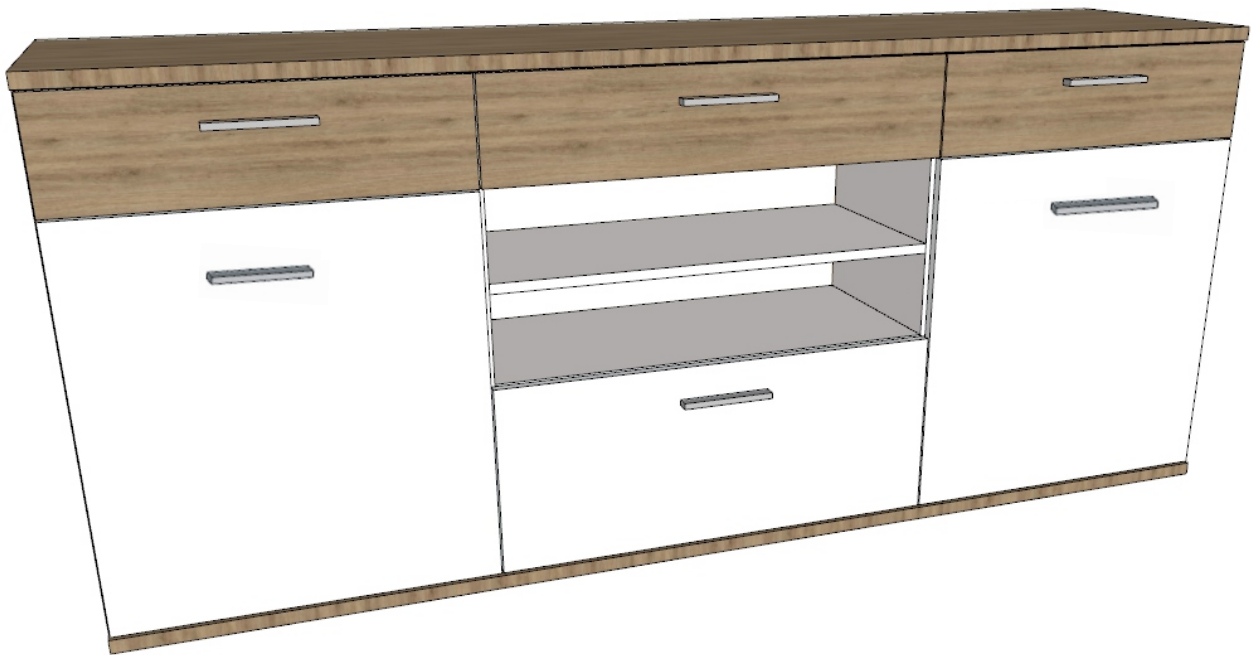
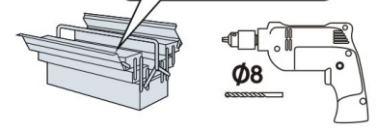
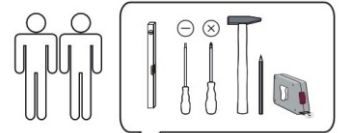


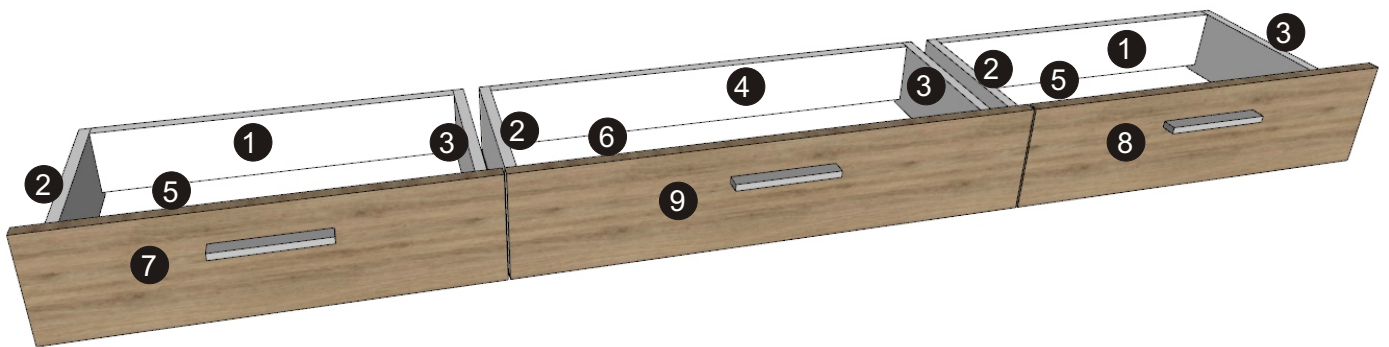
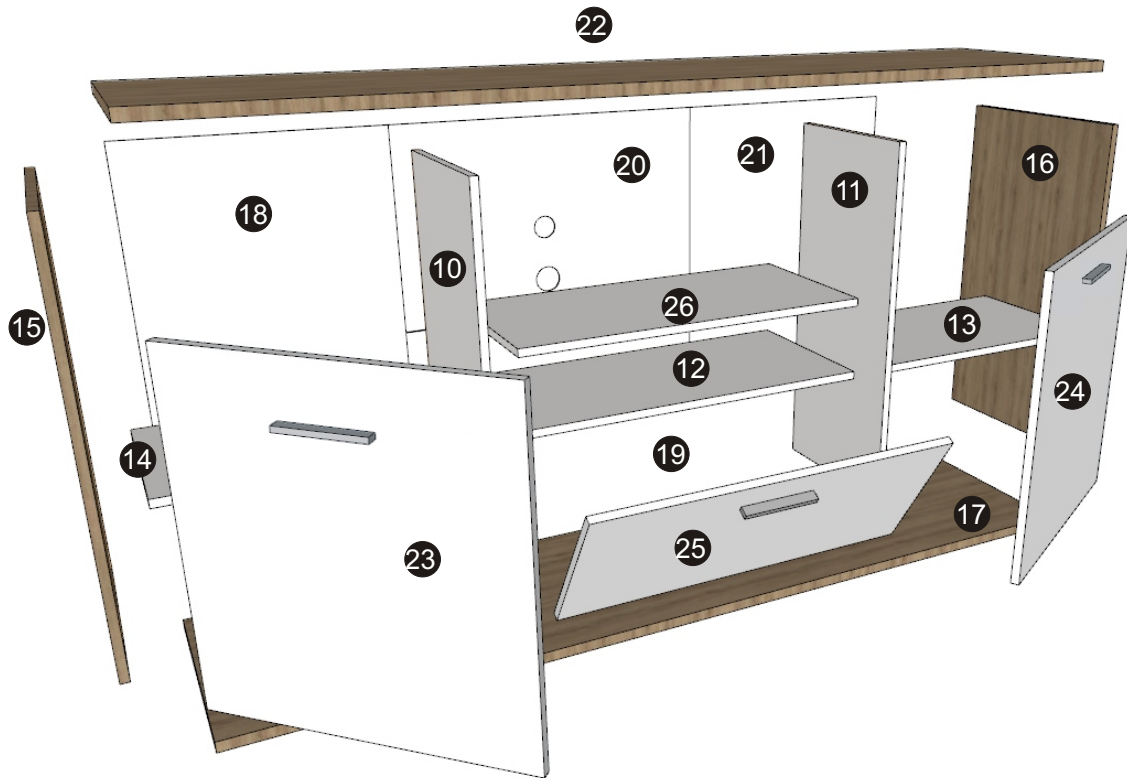


# BACKSTAGE Sideboard 44-276-H2 1/32

meble  
okmed  
DENKO

wyprodukowano dla / made for / produziert für  
**BEGA GRUPPE**  
producent: MEBLE OKMED POLAND


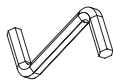
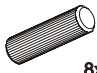
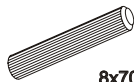

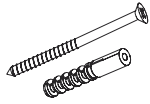
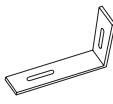








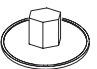



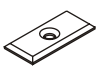





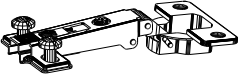
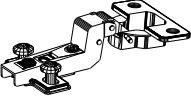


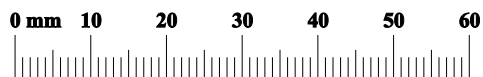


1/3	3	16	310	110	3
	2	16	310	110	3
	5	3	528	315	2
	6	3	702	315	1
	23	16	574	605	1
	24	16	574	605	1
	7	16	574	160	1
	8	16	574	160	1
	9	16	740	160	1
	25	16	740	306	1
	19	3	743	312	1
	20	3	743	478	1
	18	3	790	569	1
	21	3	790	569	1
	1	16	514	97	2
	4	16	688	97	1

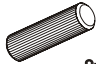

2/3	15	16	774	441	1
	16	16	774	441	1
	17	22	1900	460	1
	10	16	774	341	1
	11	16	774	341	1

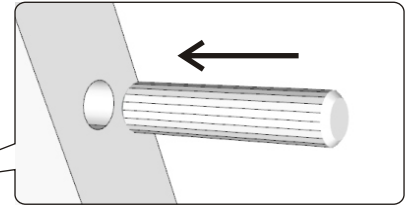
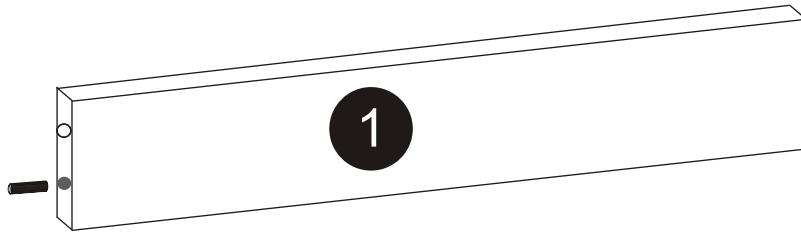
3/3	22	22	1900	460	1
	26	16	727	341	1
	14	16	553	341	1
	13	16	553	341	1
	12	16	727	341	1

				 8x35		 8x70		 7x50			
KSK1	X1	KK1	X1	KD1	X32	KD2	X4	K1	X14		
								 L=86			
KRW1	X2	KS1	X2	ZM1A	X26	ZM1B	X18	TPP3	X4		
		 3,5x16		 4x13		 3,5x27					
S1	X19	W11	X28	W4	X12	WU	X12	U70	X6		
						 4x20					
ZM1	X18	PPN	X4	SS4	X6	W6	X6	PL1	X15		
				 3x16							
W6	X1	R4	X2	W1	X28	PQ3	X3	PQ4	X3		
											
Z1P	X4	Z1	X4	ZWP1	X2	ZWP	X2				



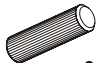

01

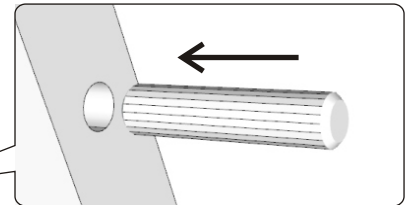
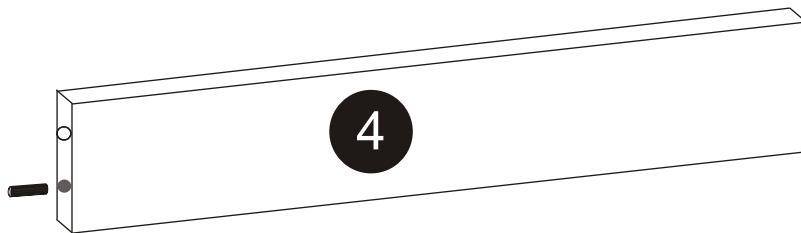
	8x35		GLUE
KD1	x2	KSK1	x1



x2

02

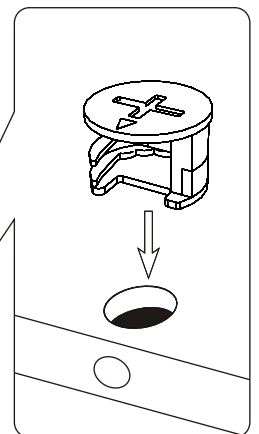
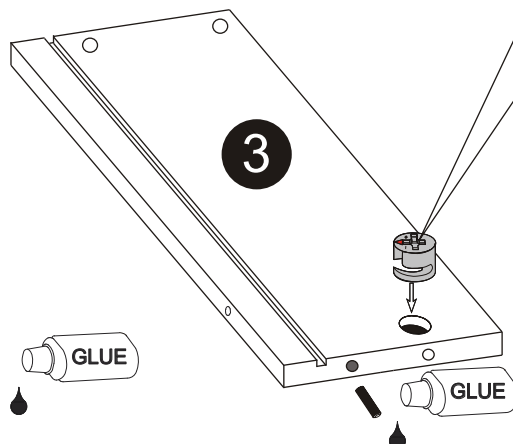
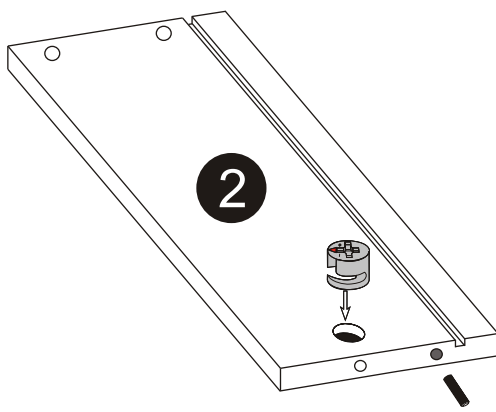
	8x35		GLUE
KD1	x2	KSK1	x1



x1

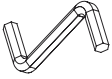

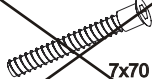

03

	8x35		GLUE		ZM1A
KD1	x2	KSK1	x1	ZM1A	x2

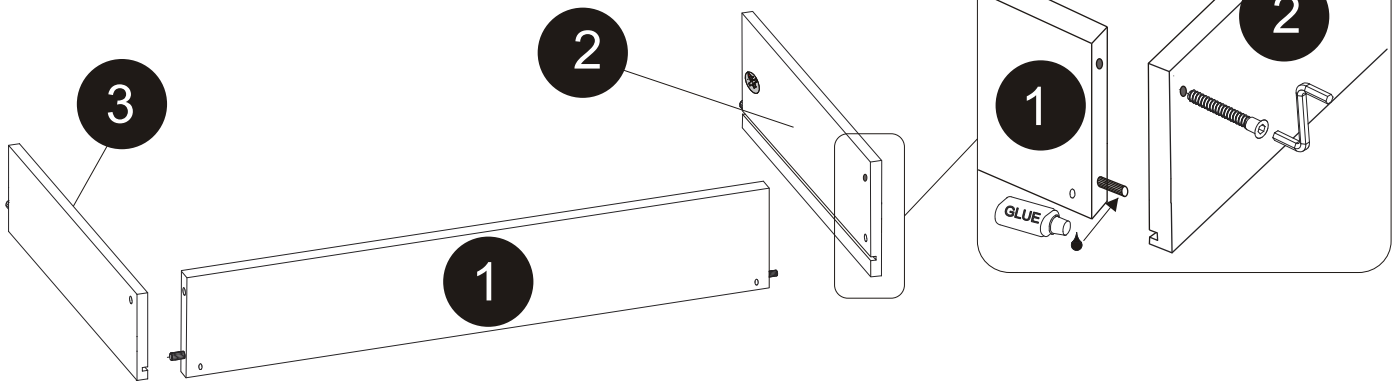


x3

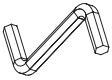

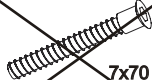

04

				<del></del>			
KK1	x1	K1	x2	K2		KSK1	x1

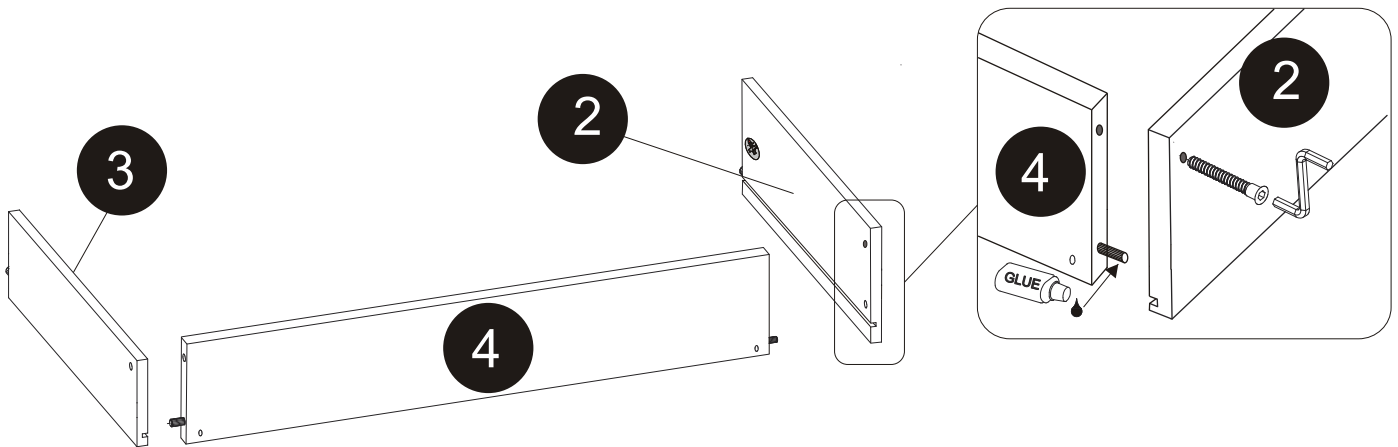
x2



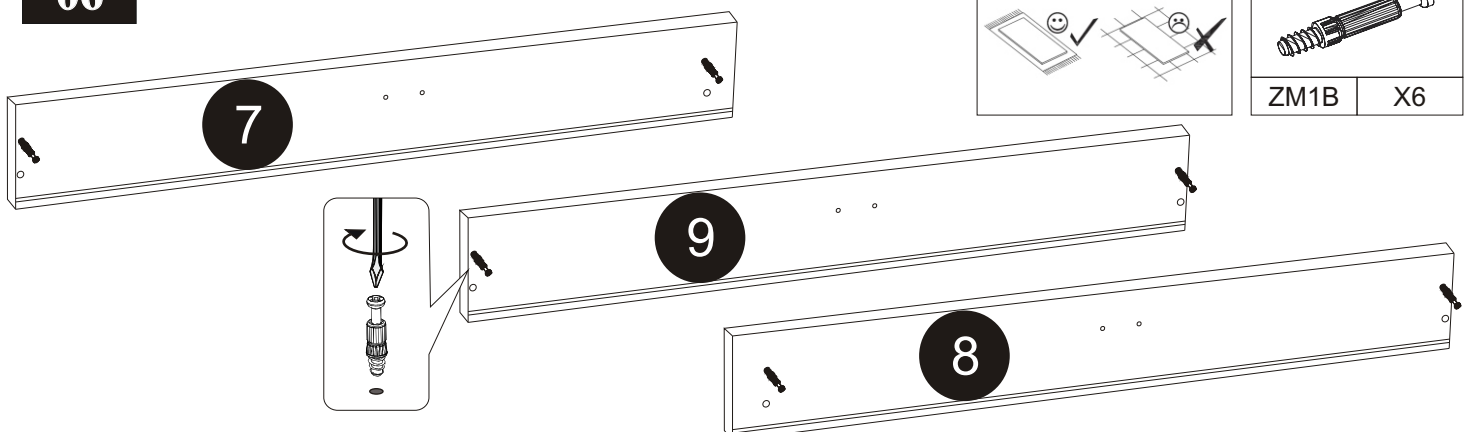
05

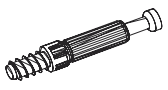
				<del></del>			
KK1	x1	K1	x2	K2		KSK1	x1

x1

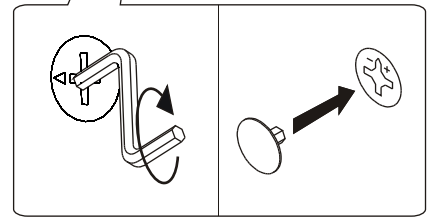
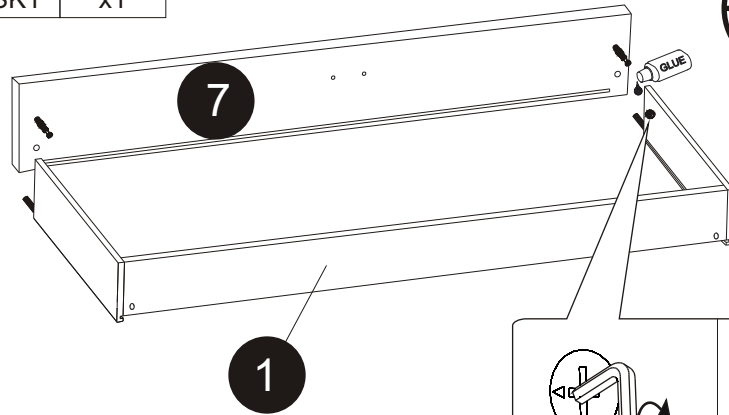
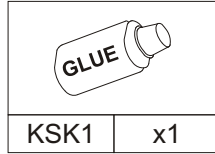
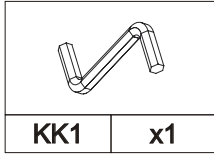


06

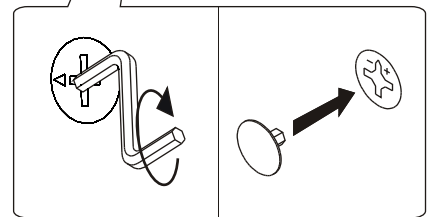
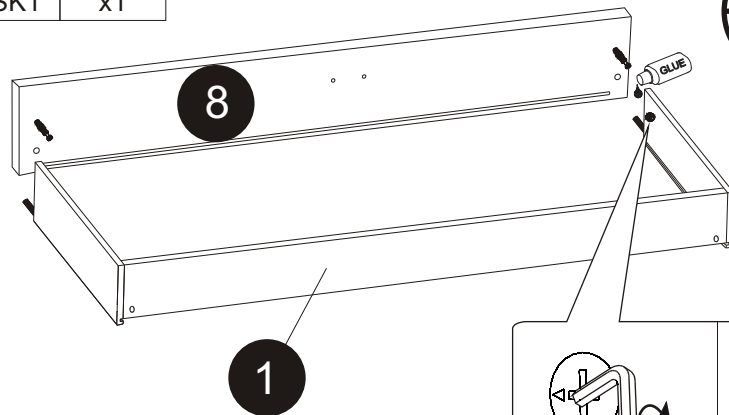
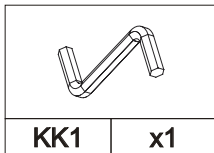


	
ZM1B	X6

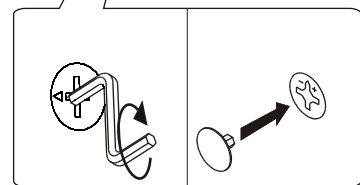
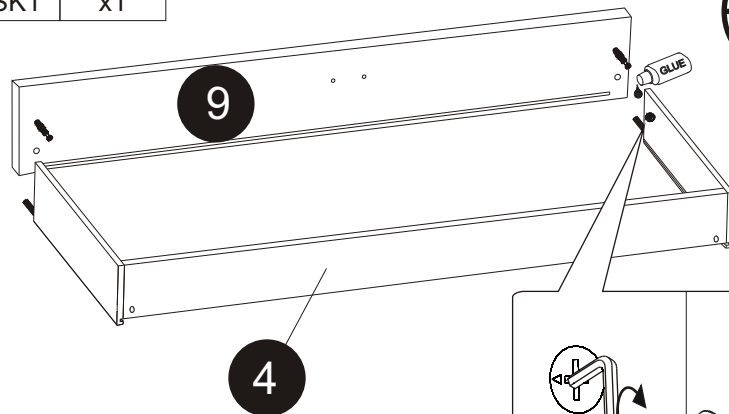
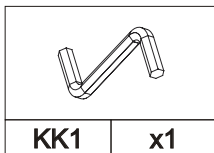
07



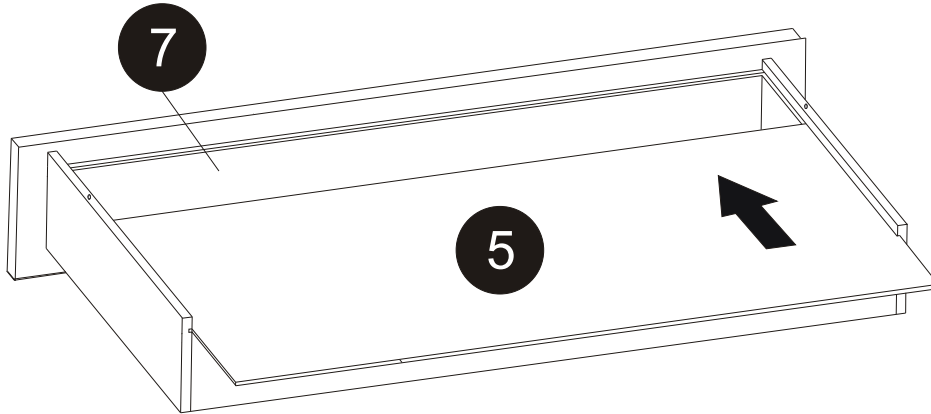
08



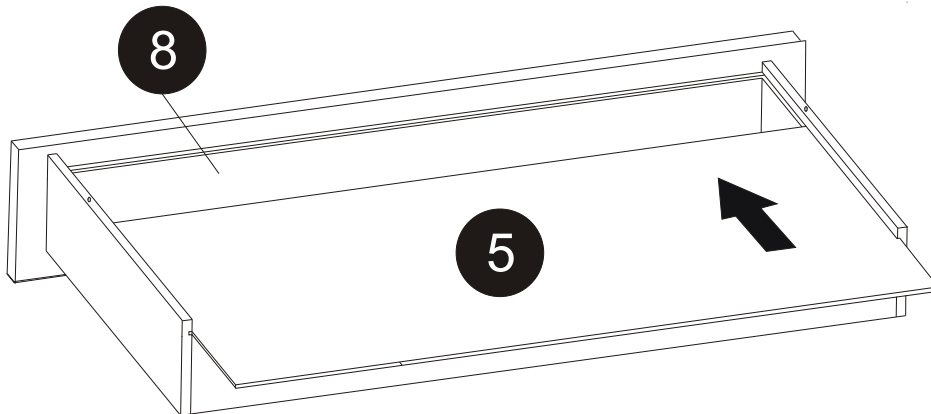
09



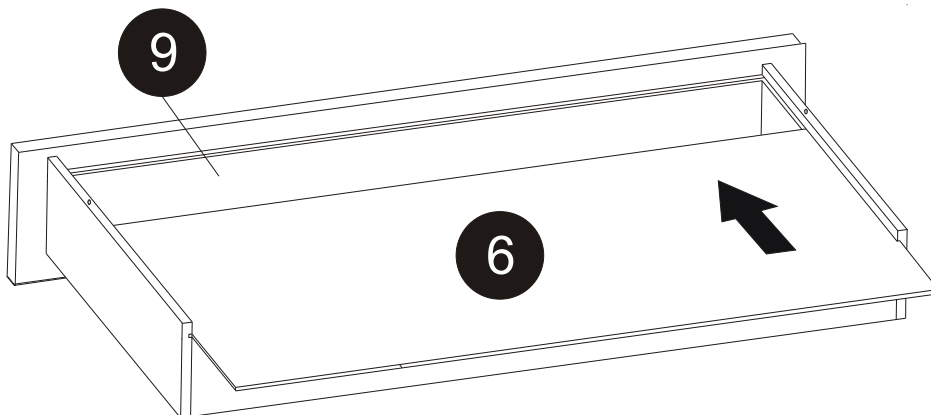
10



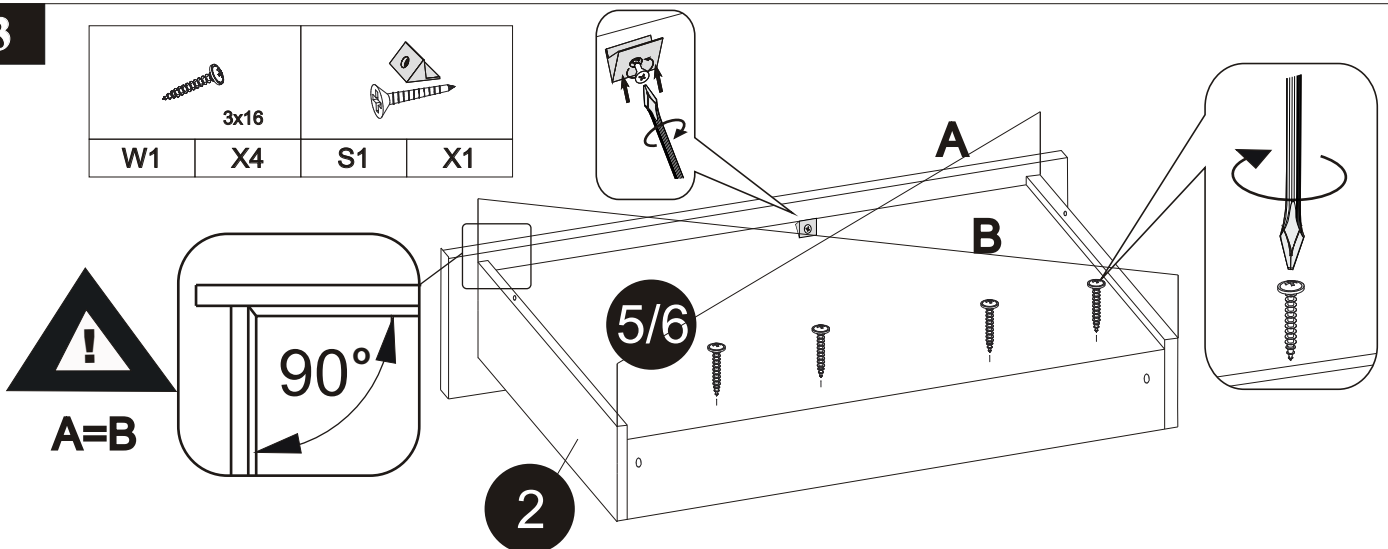
11



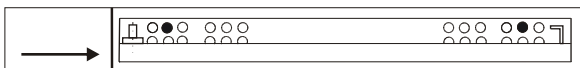
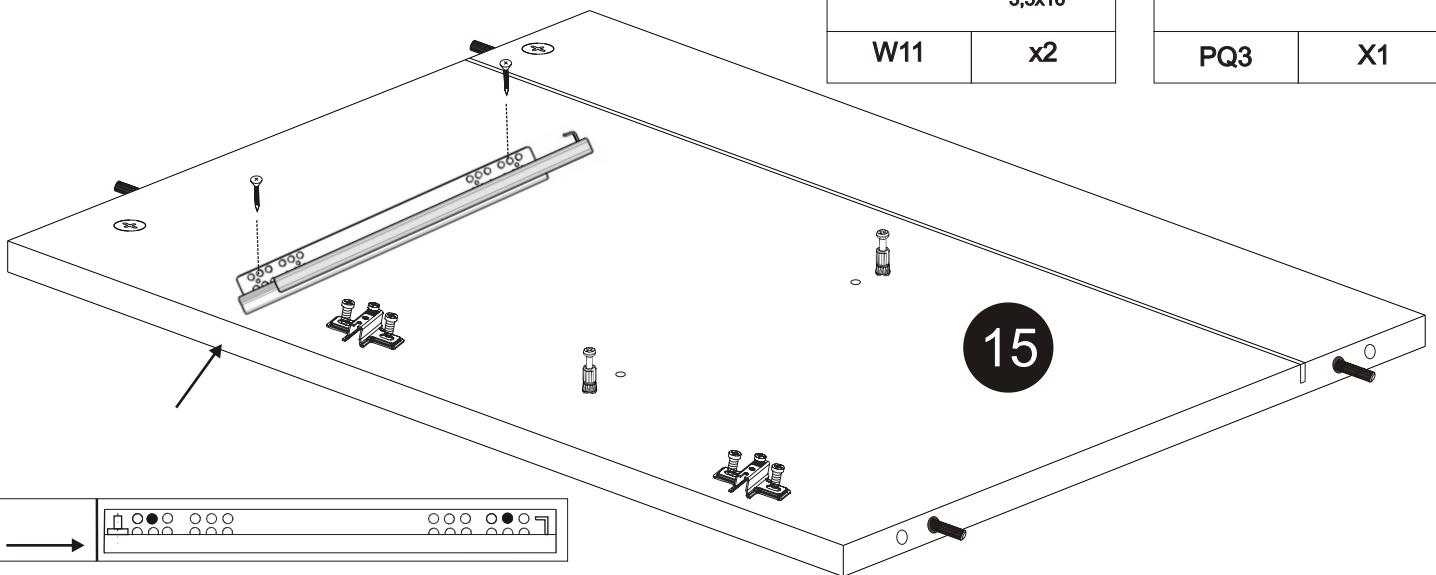
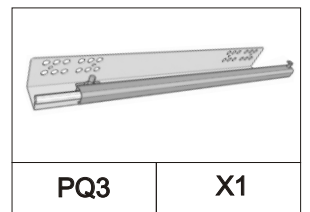
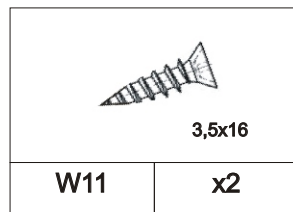
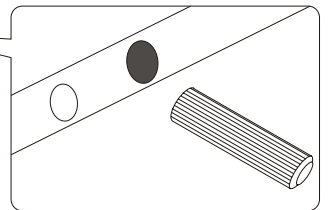
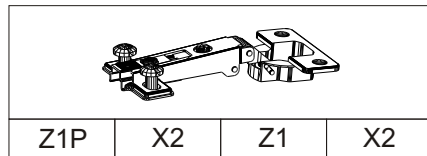
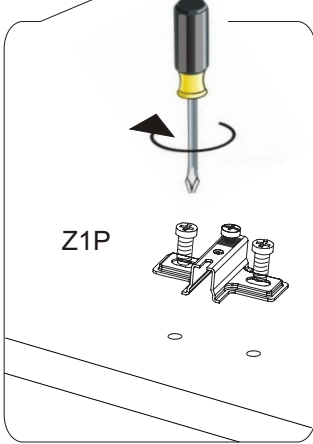
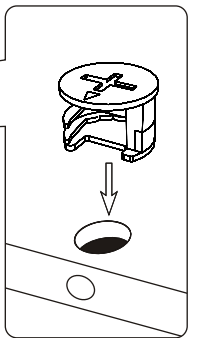
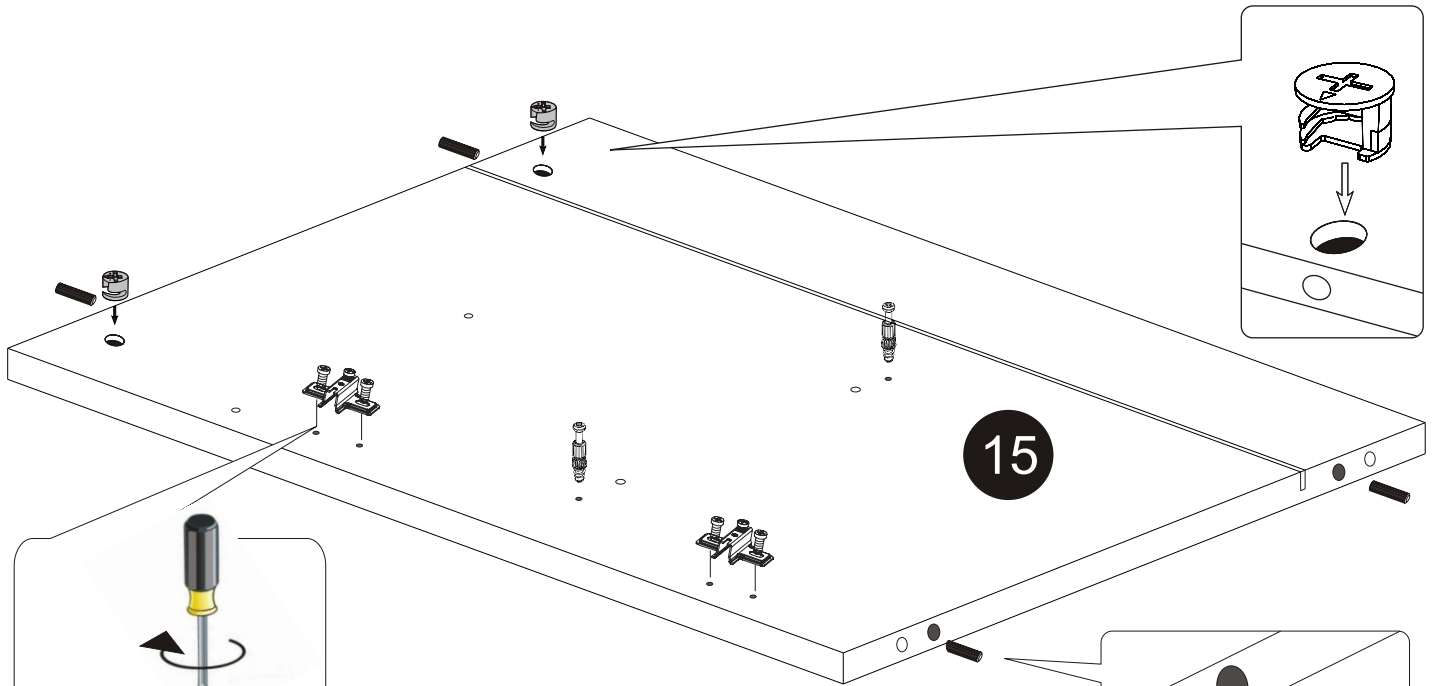
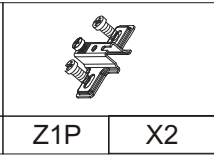
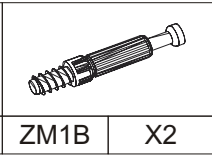
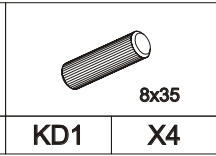
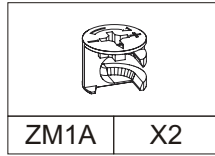
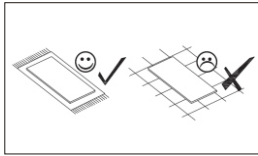
12



13

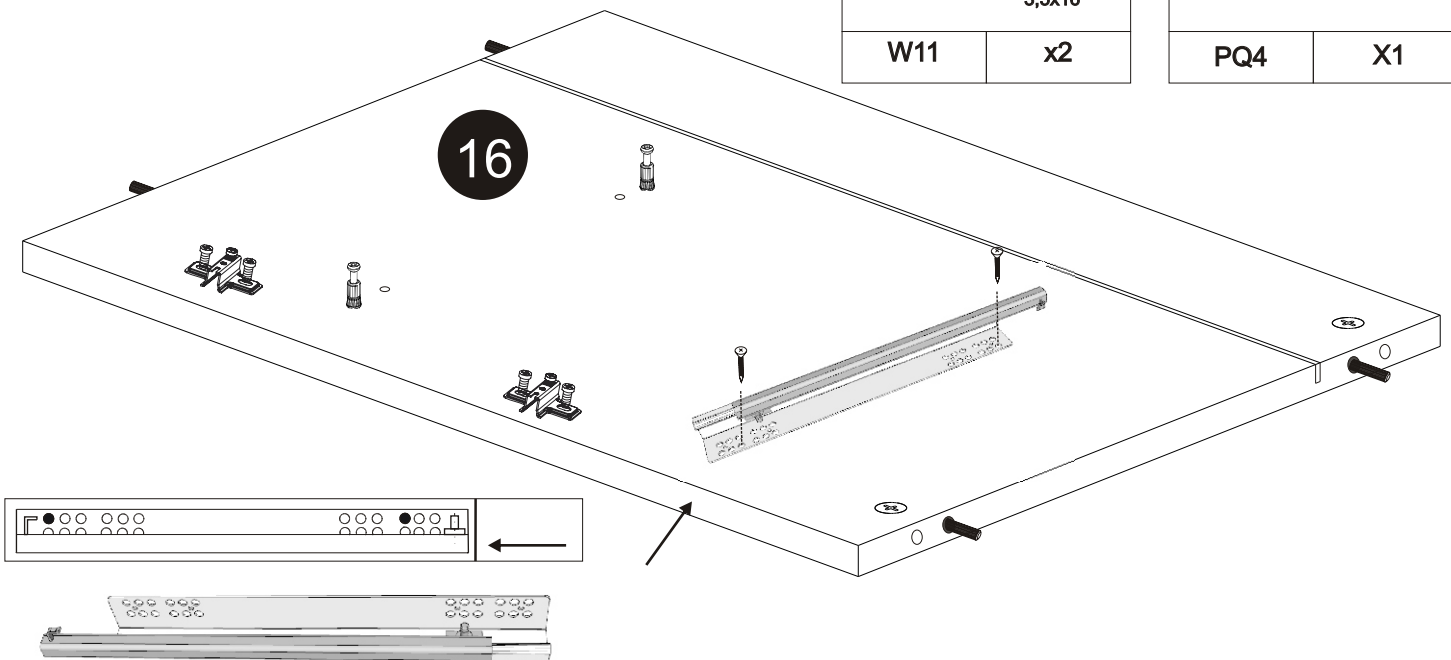
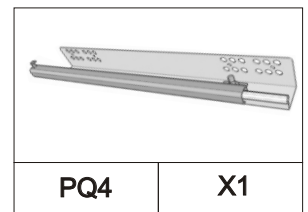
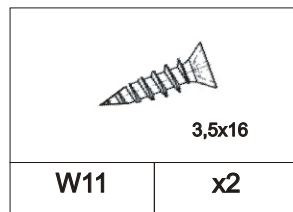
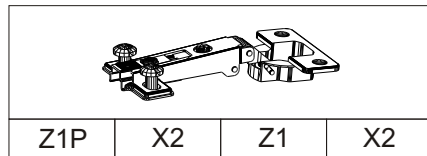
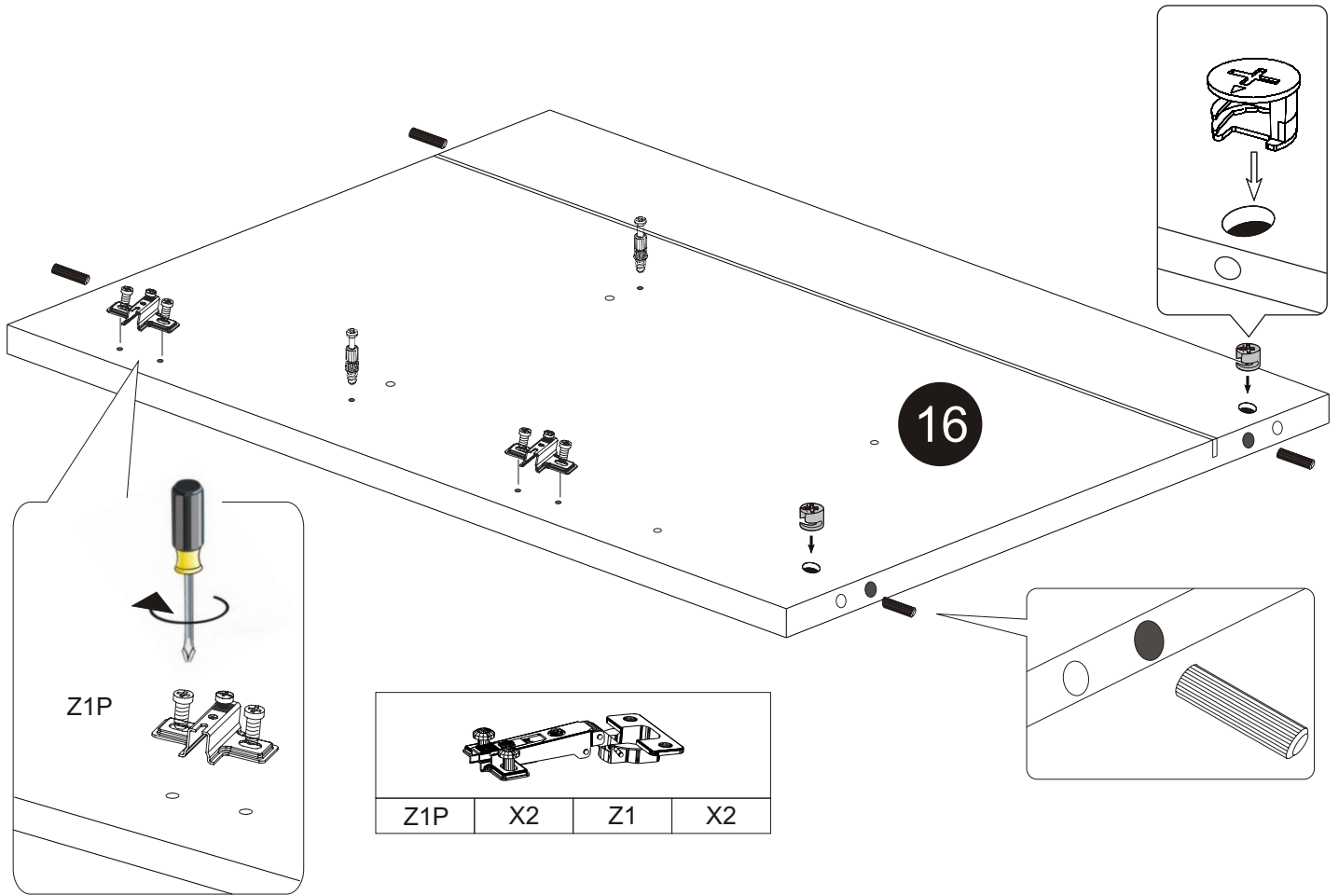
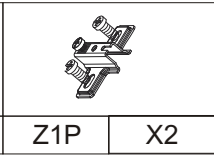
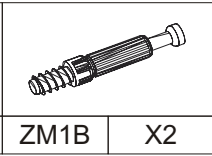
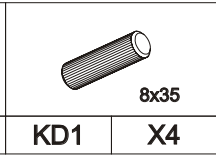
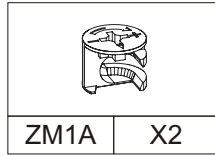
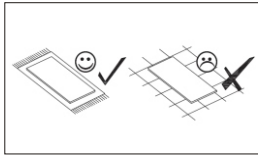


14

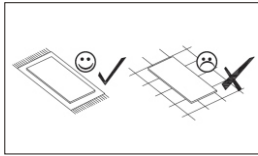



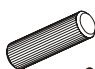


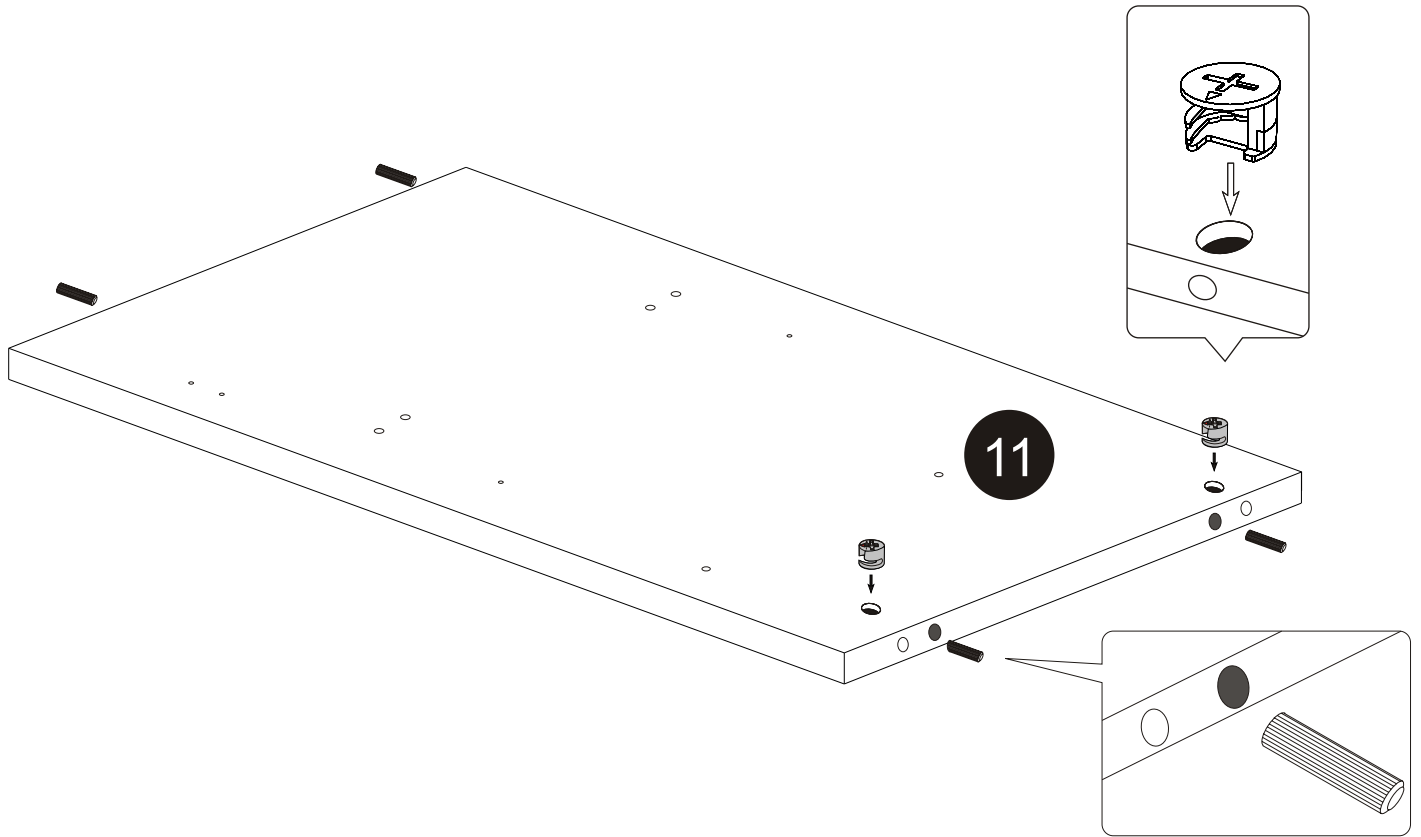
15





16

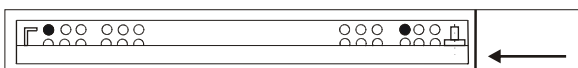
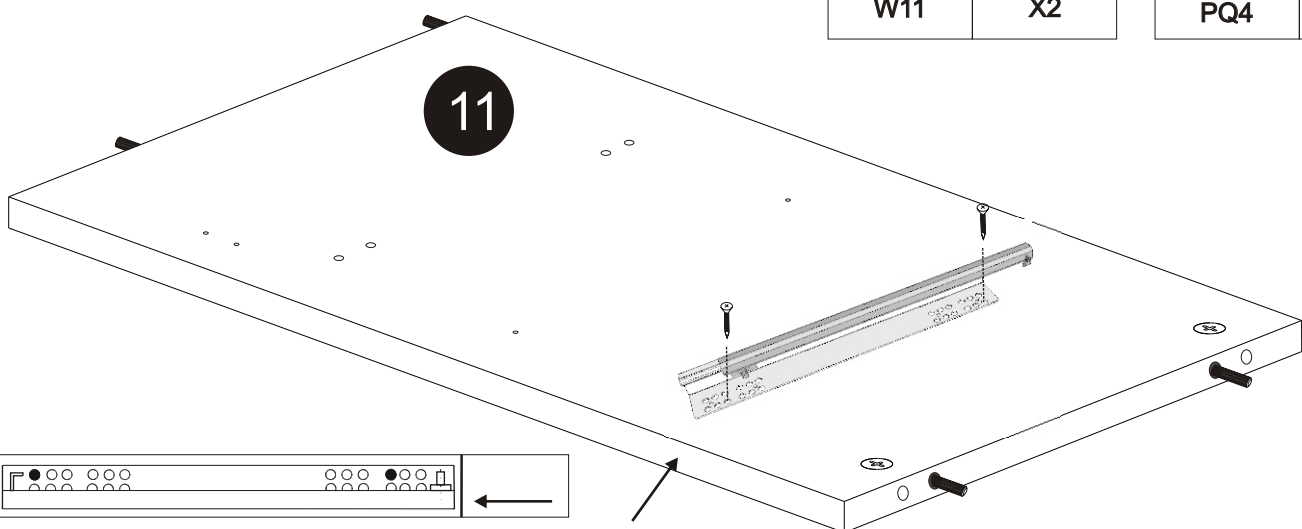


			
ZM1A	X2	KD1	X4

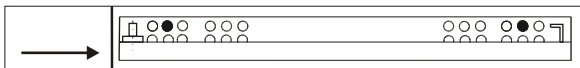
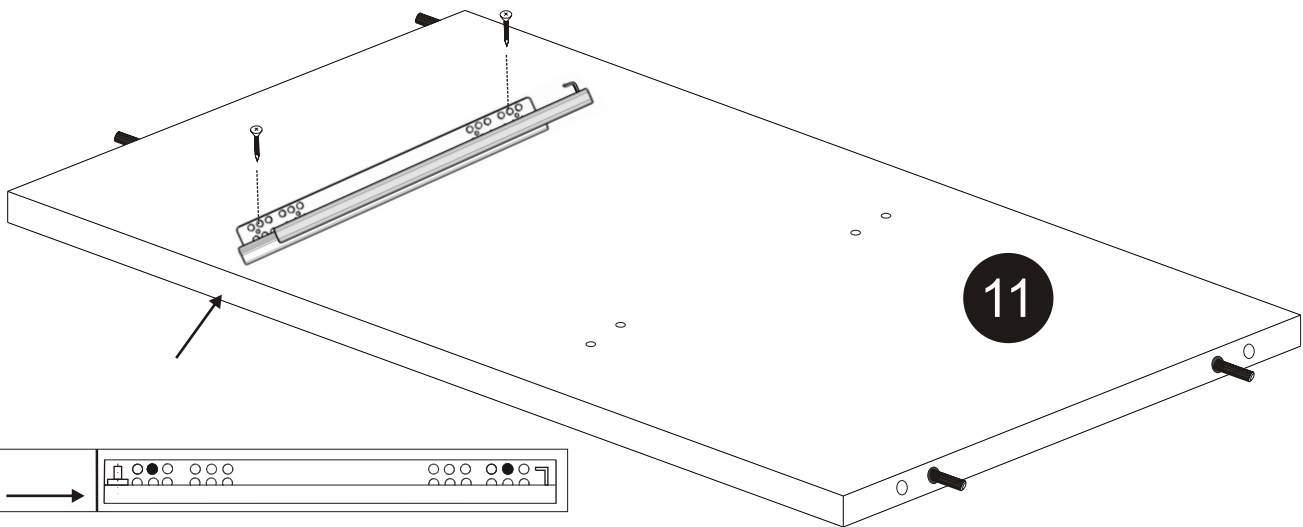
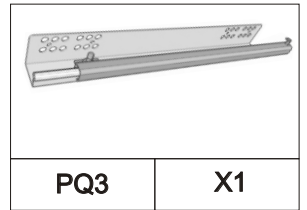
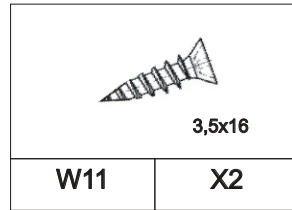
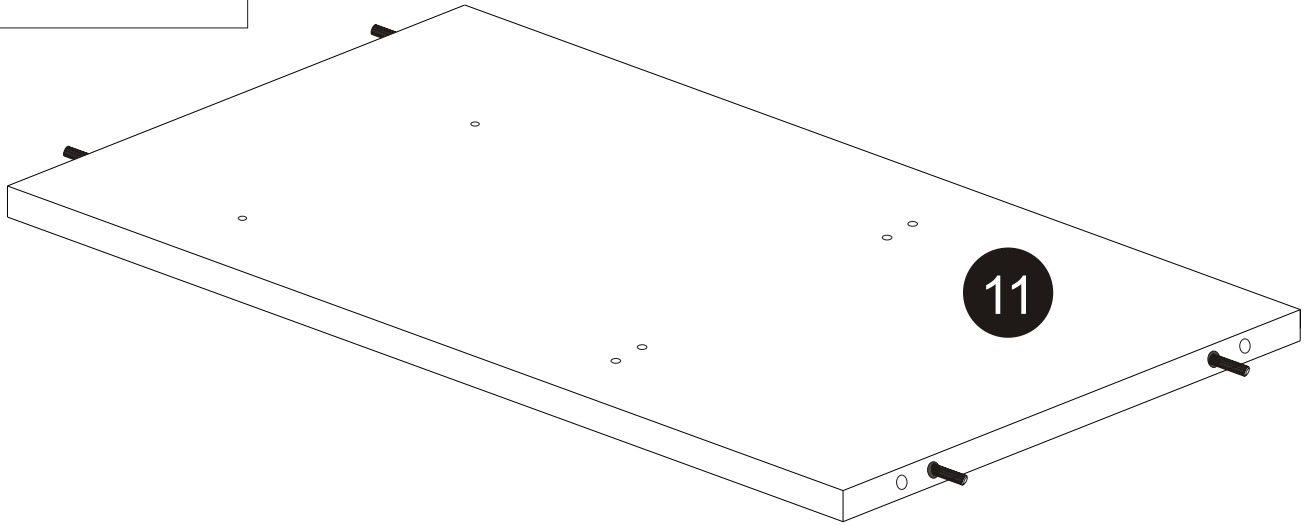
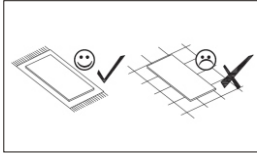


	
W11	X2

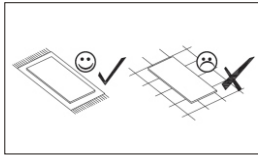
	
PQ4	X1


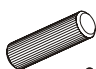


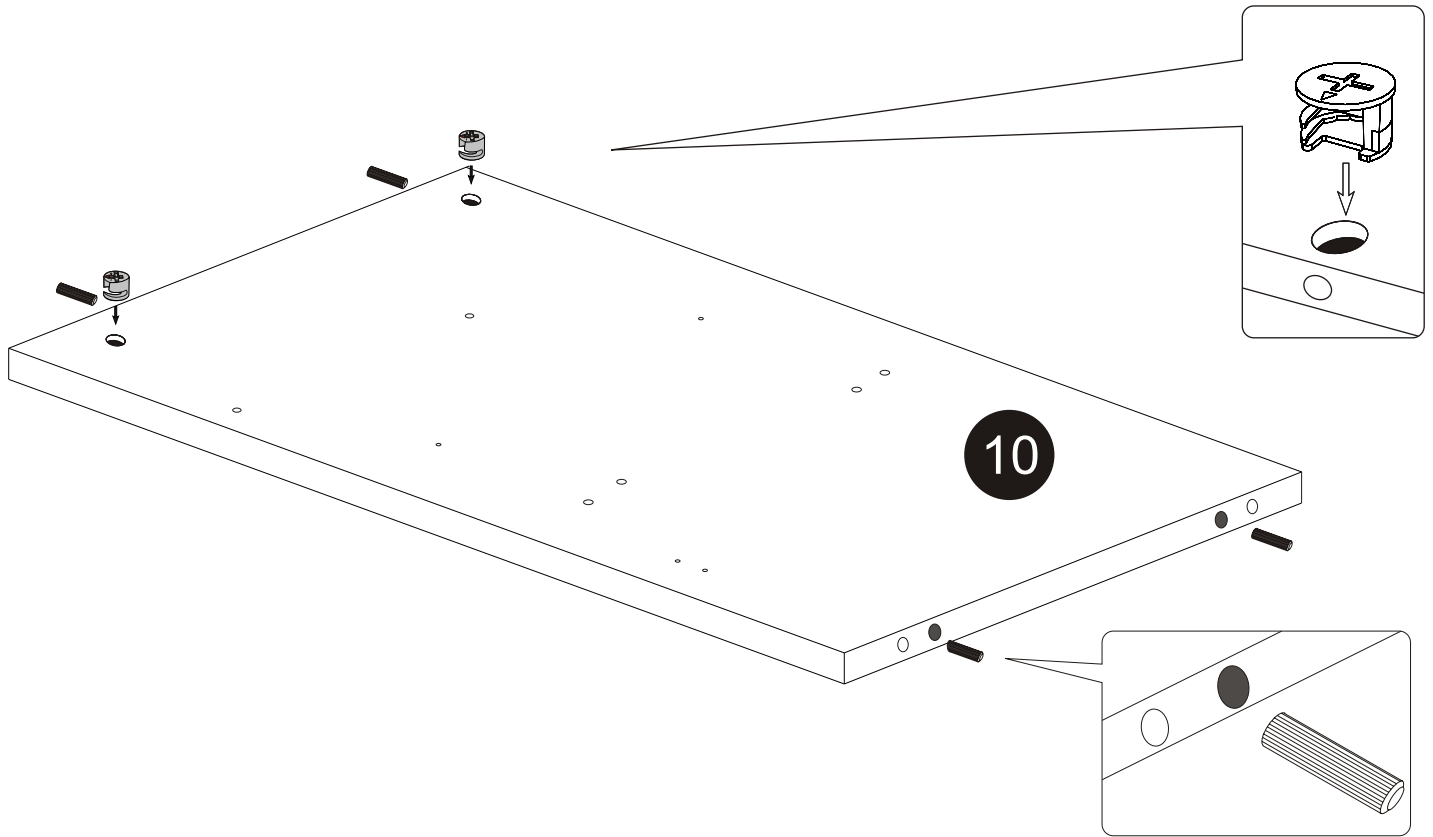
17




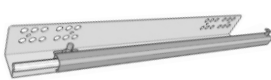
18

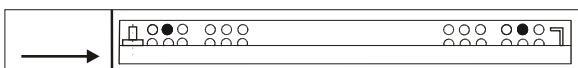
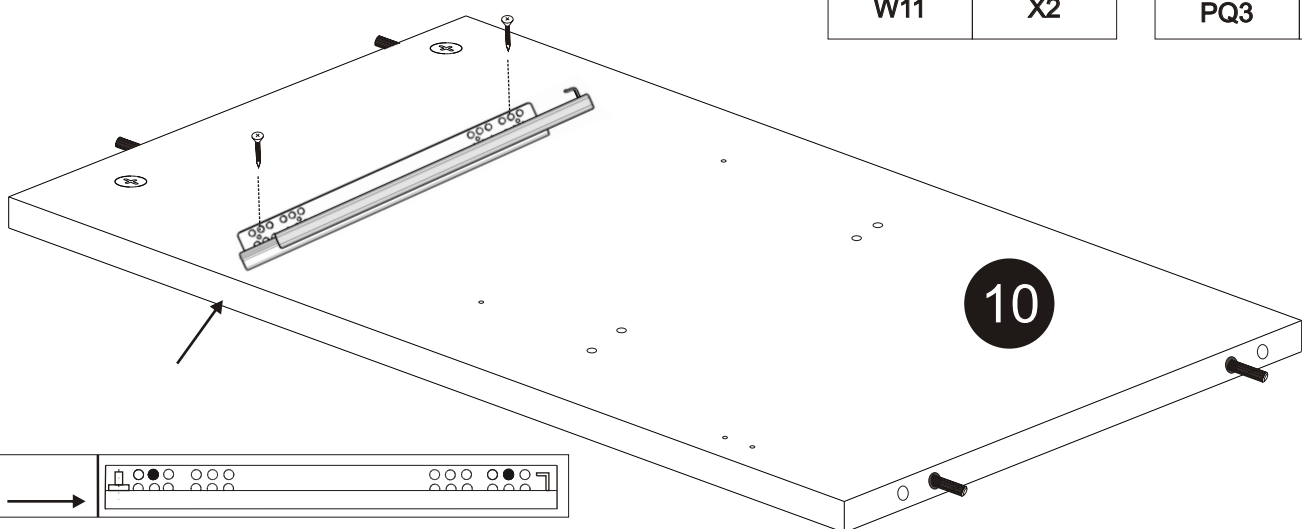


			
ZM1A	X2	KD1	x4

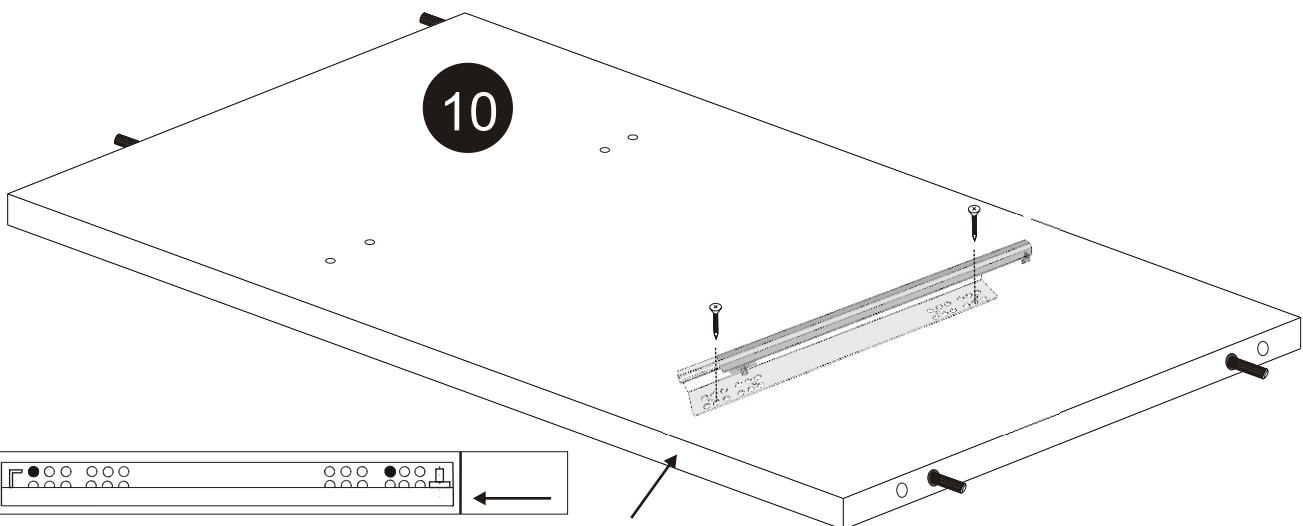
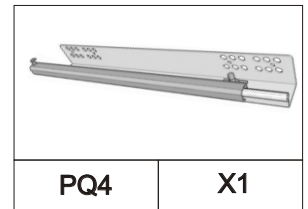
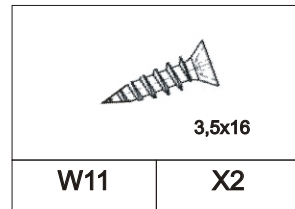
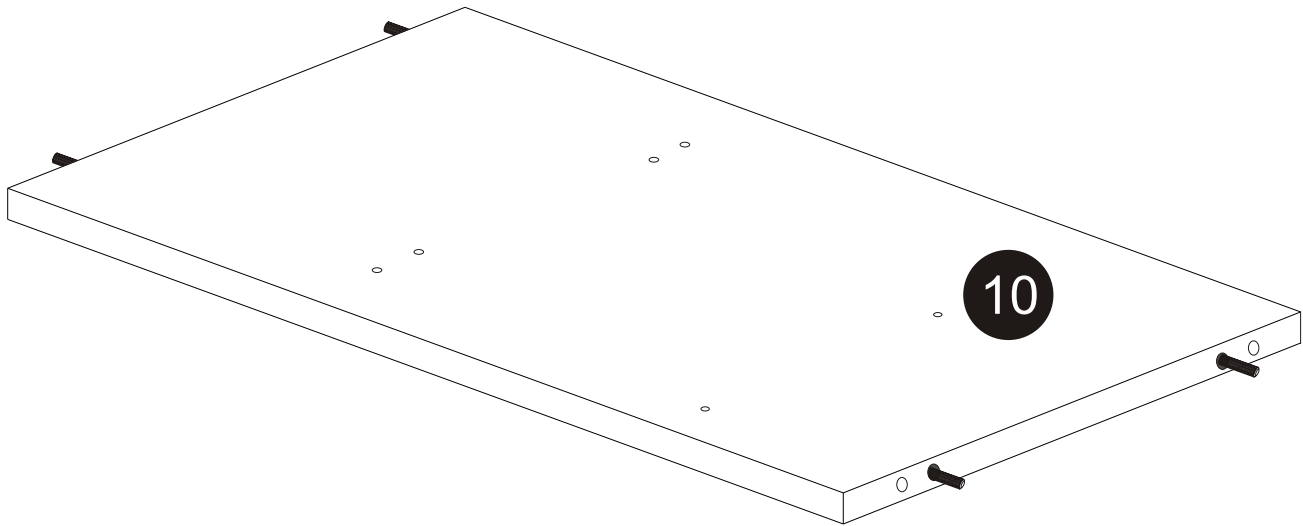
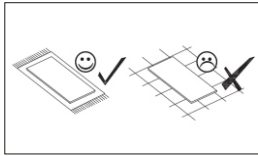


	
W11	X2

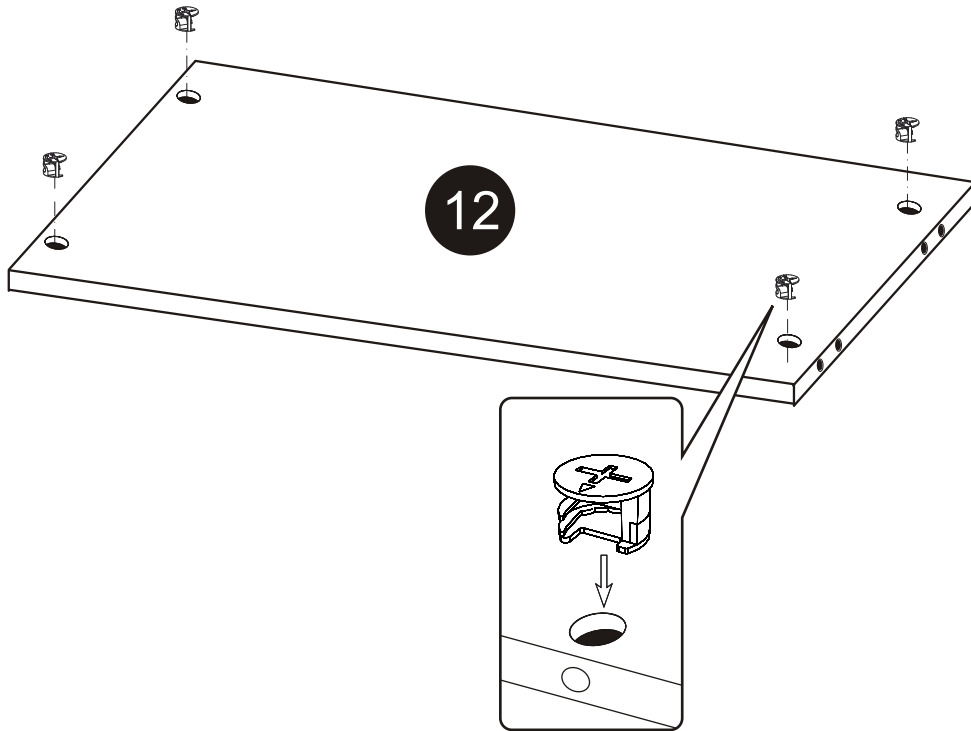
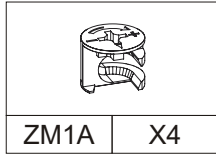
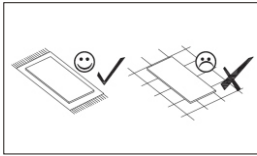
	
PQ3	X1



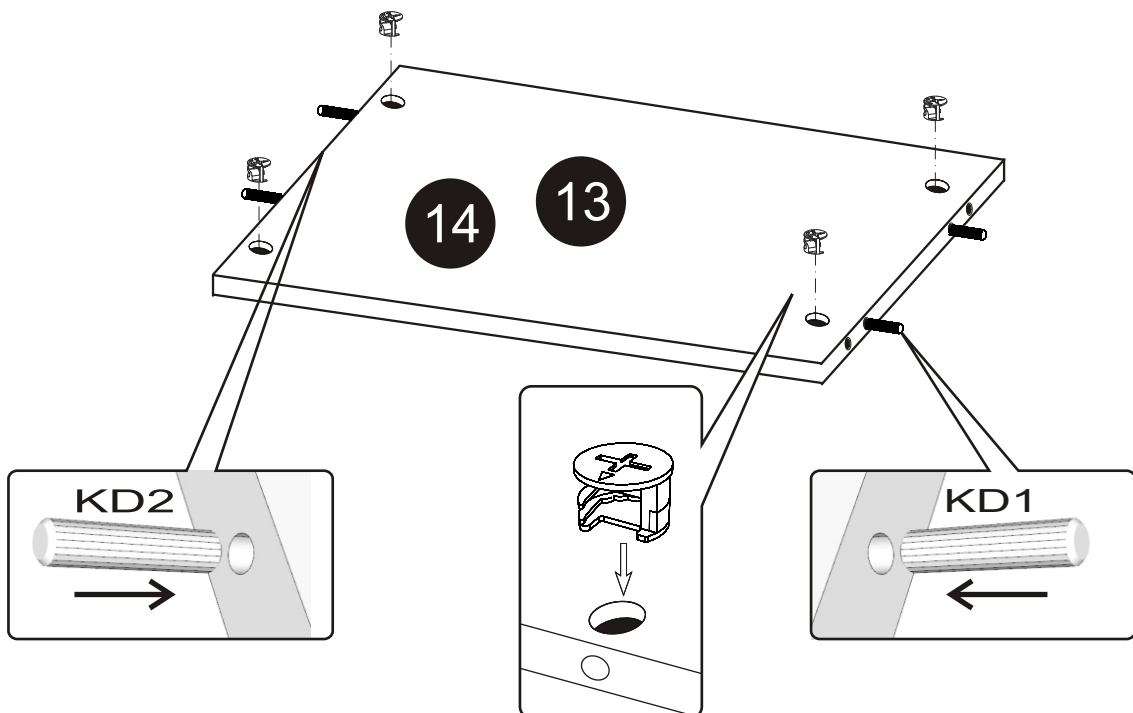
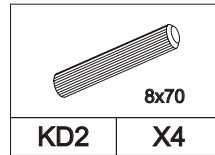
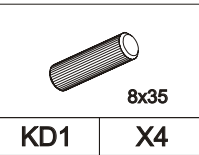
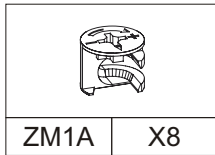
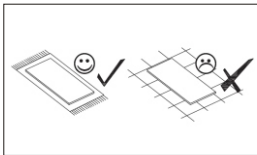
19



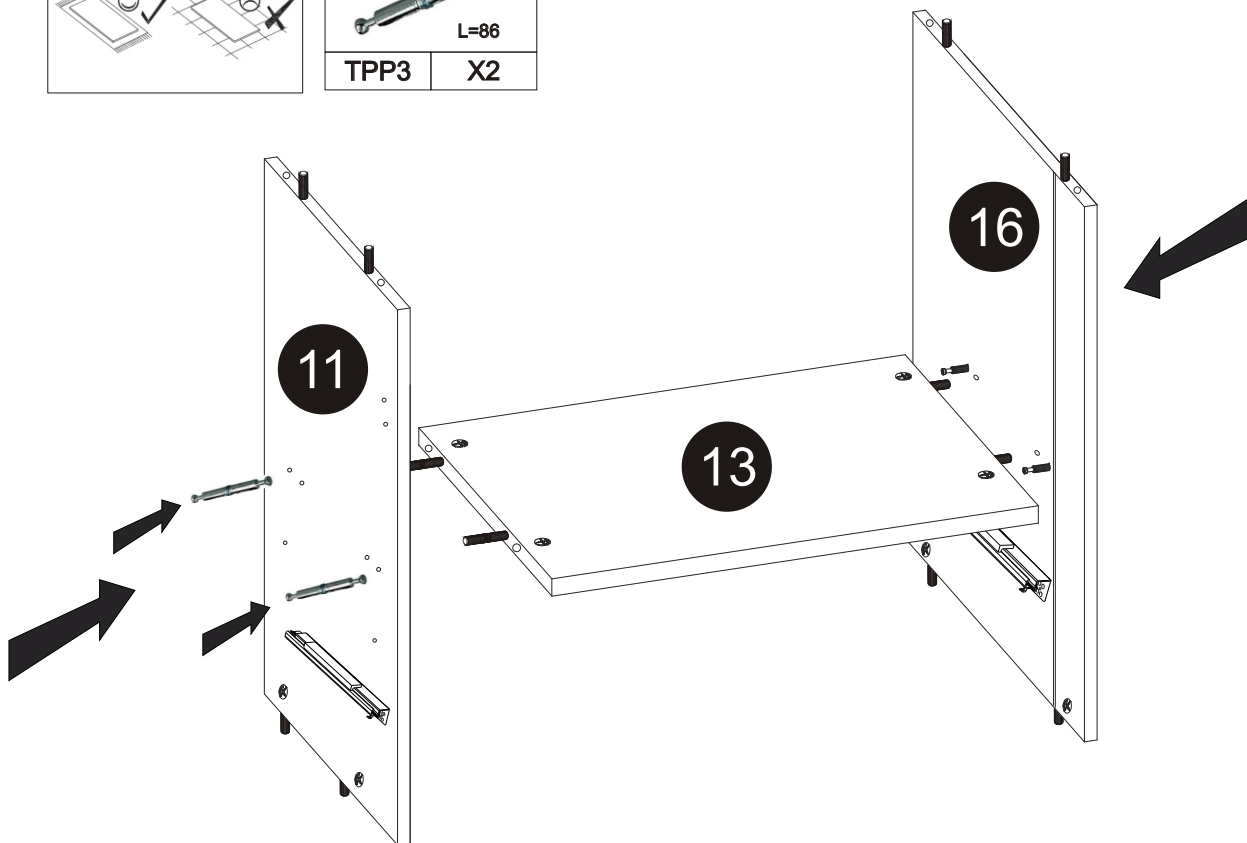
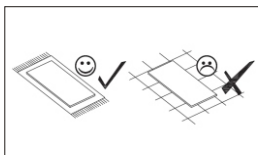
20



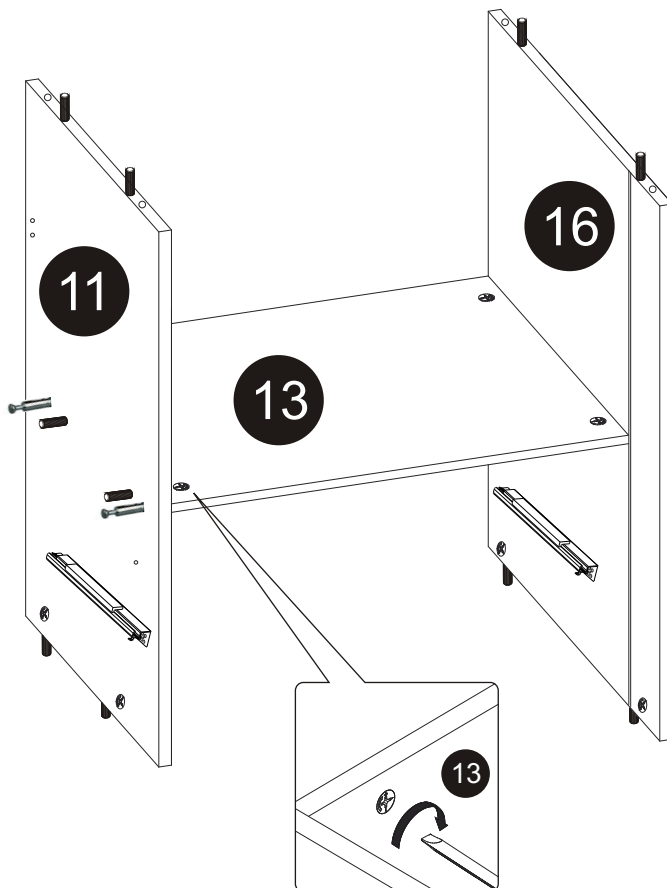
21



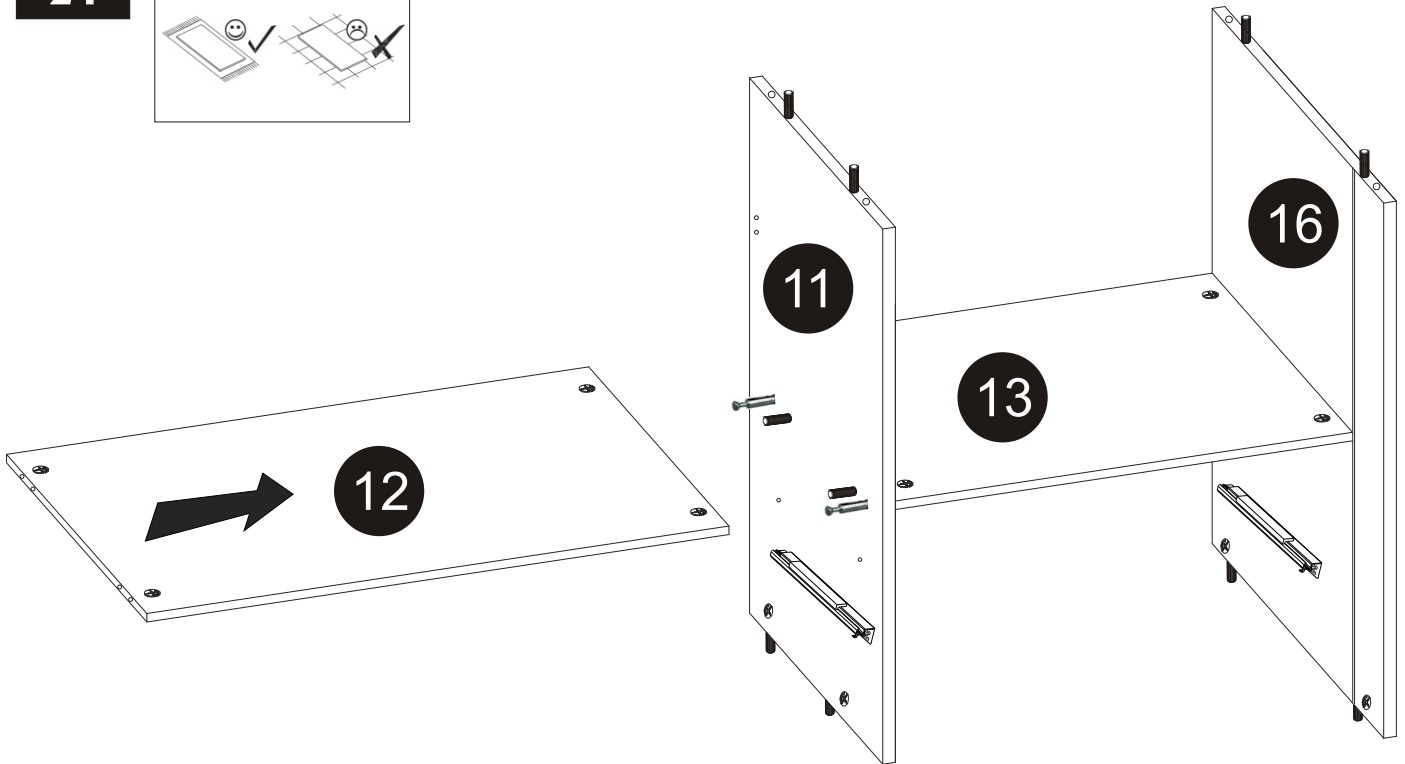
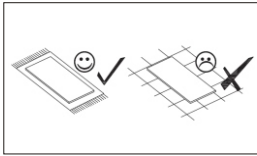
22



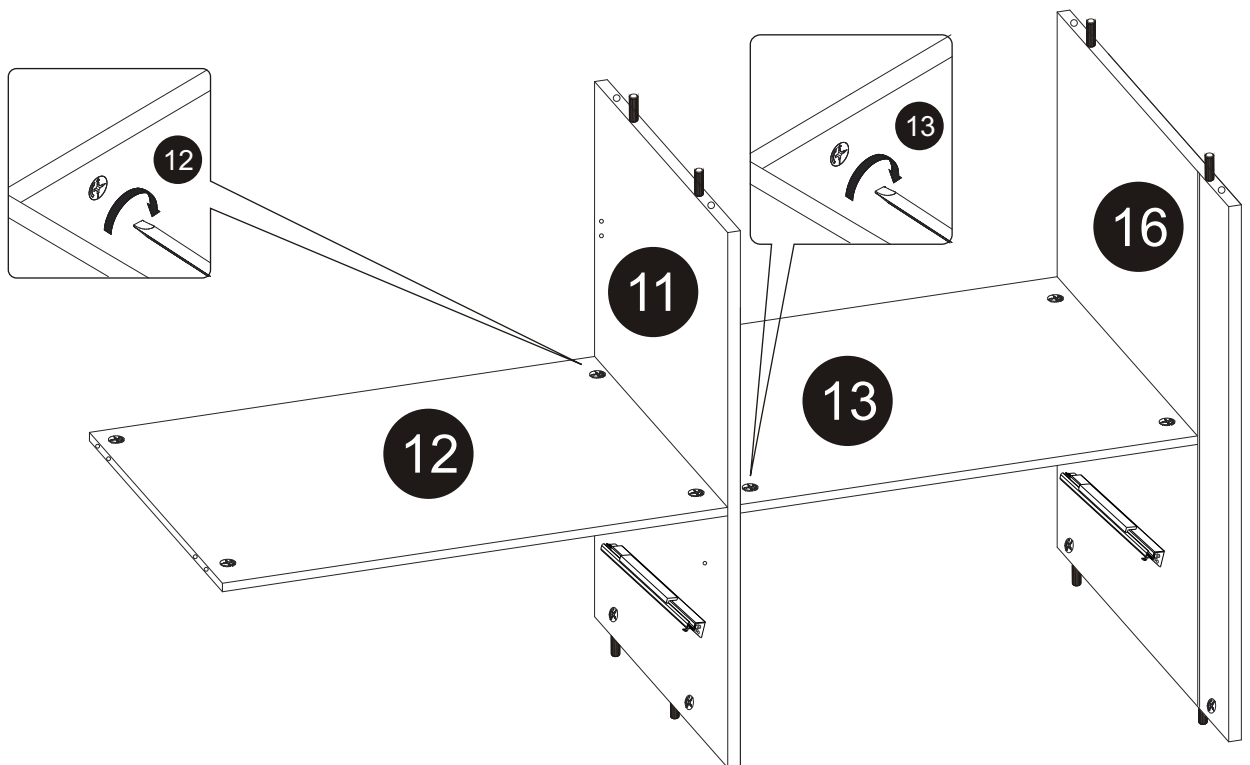
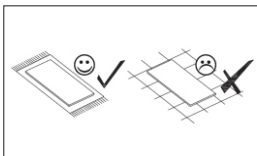
23



24

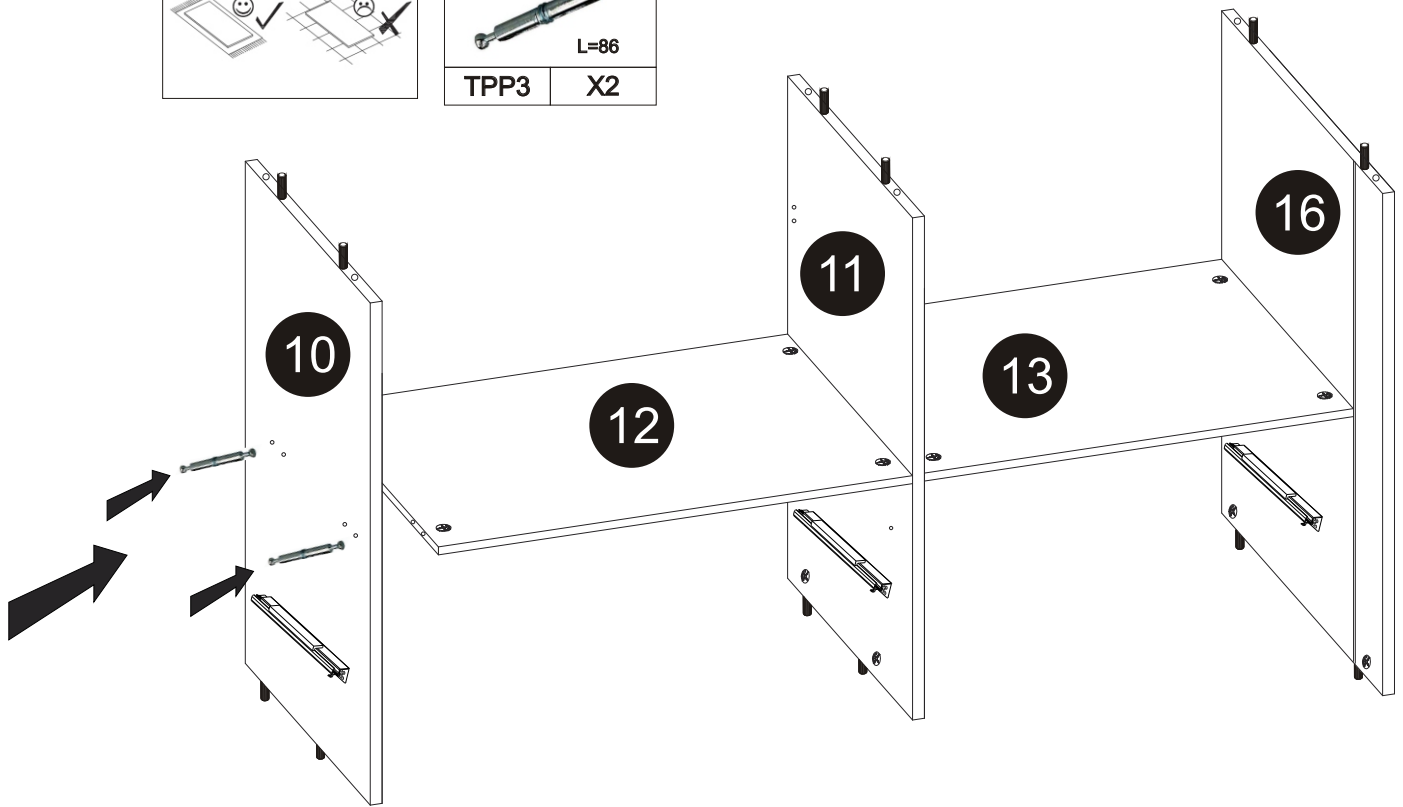
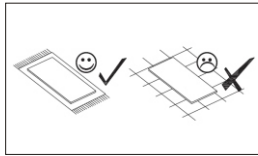


25

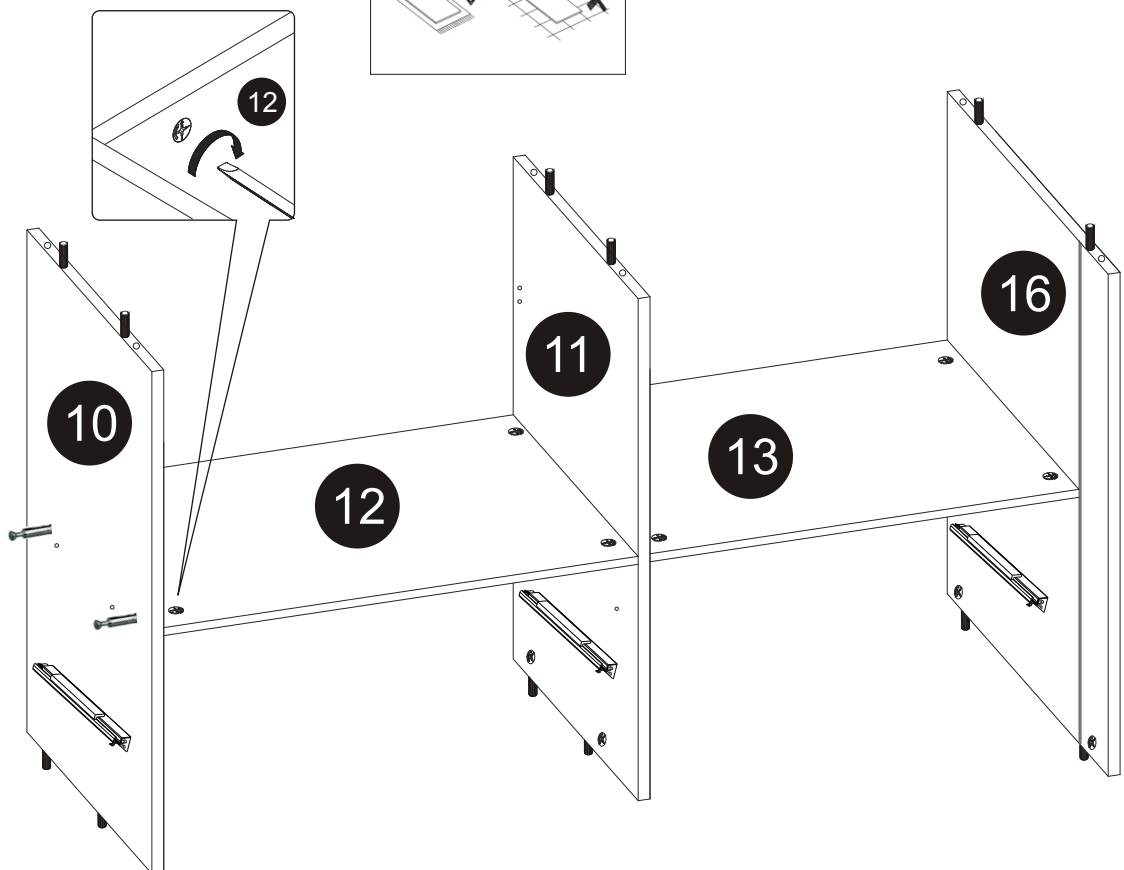
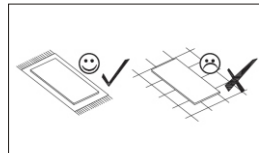




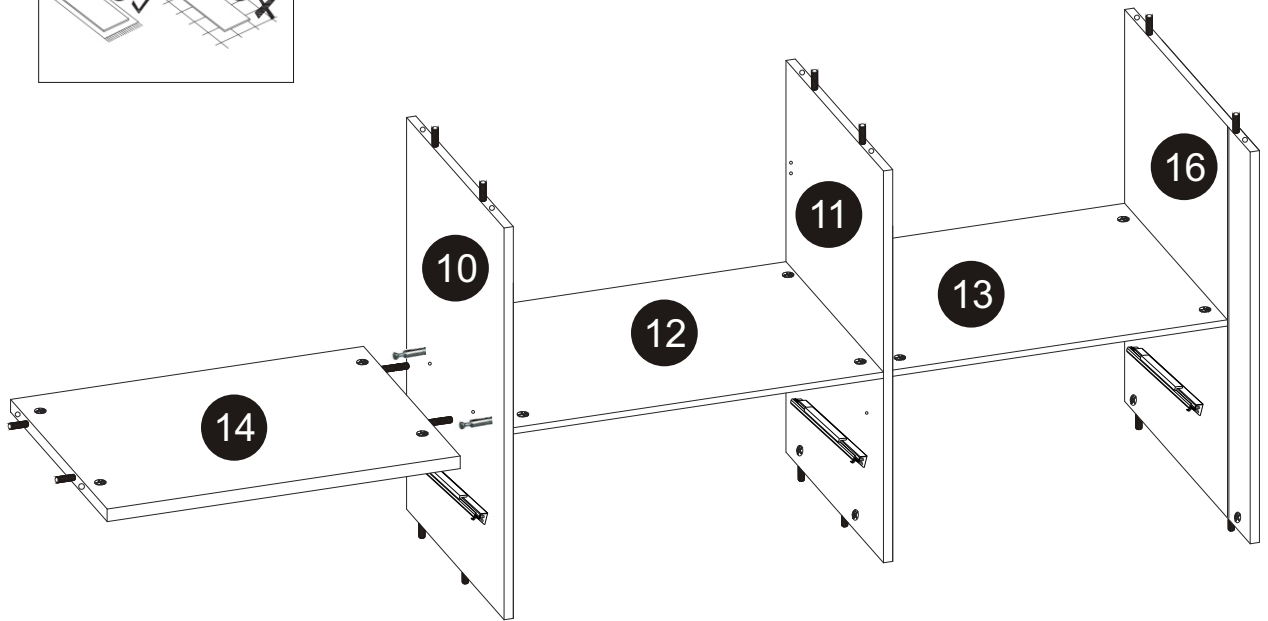
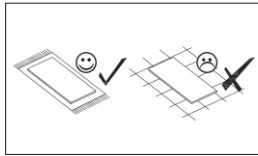
26



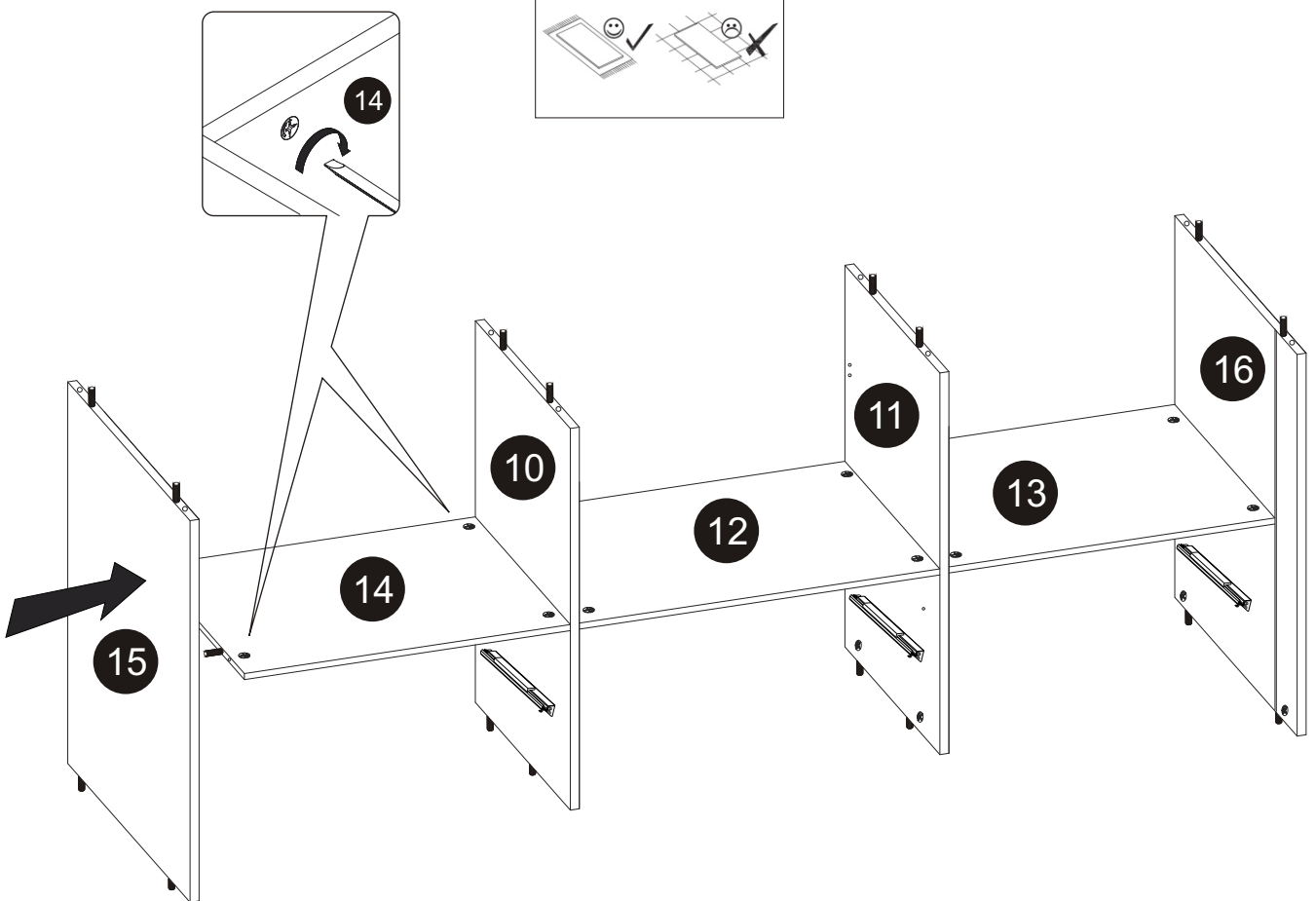
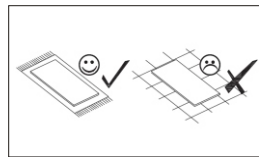
27



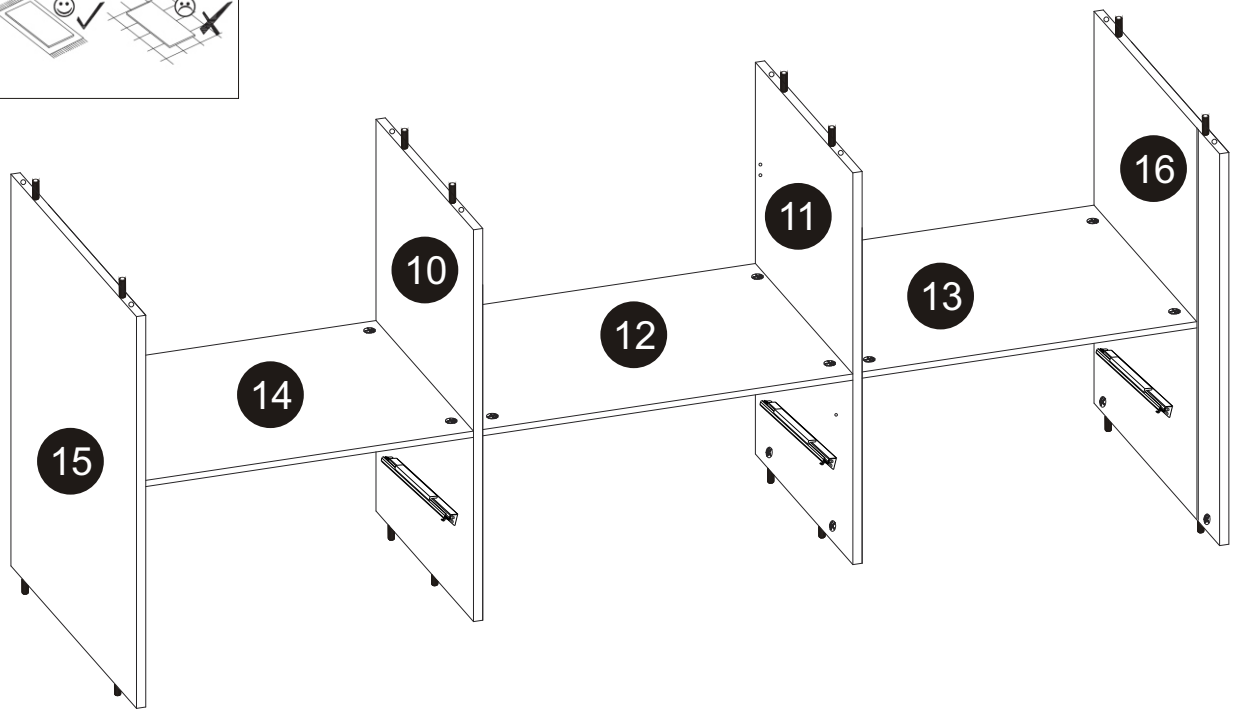
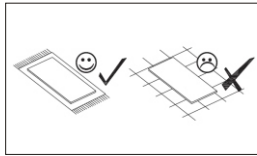
28



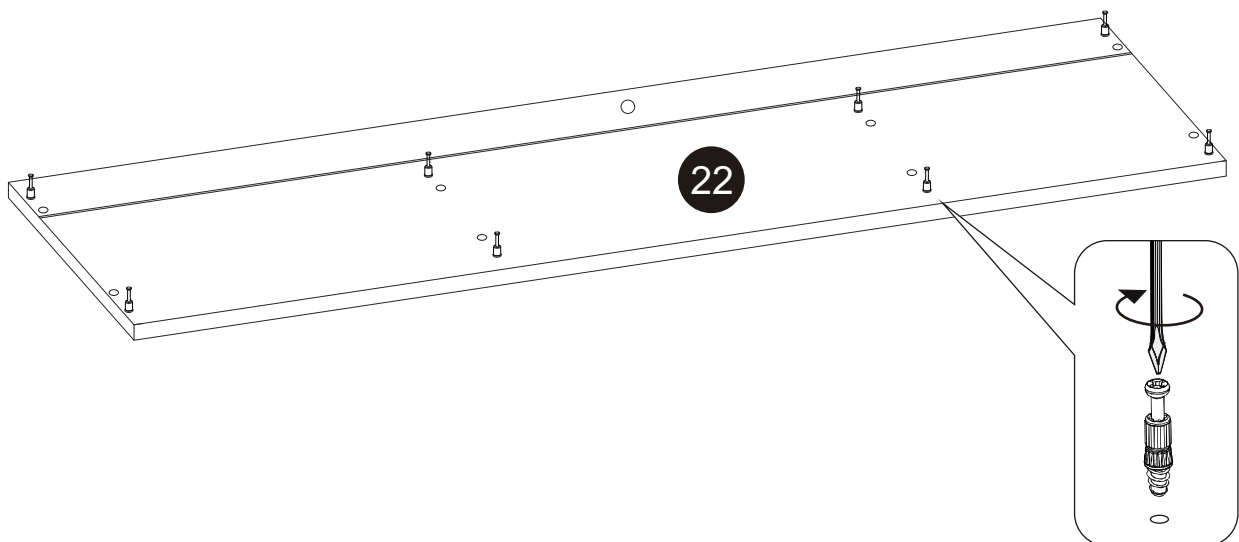
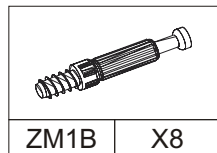
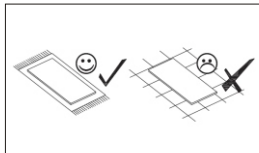
29



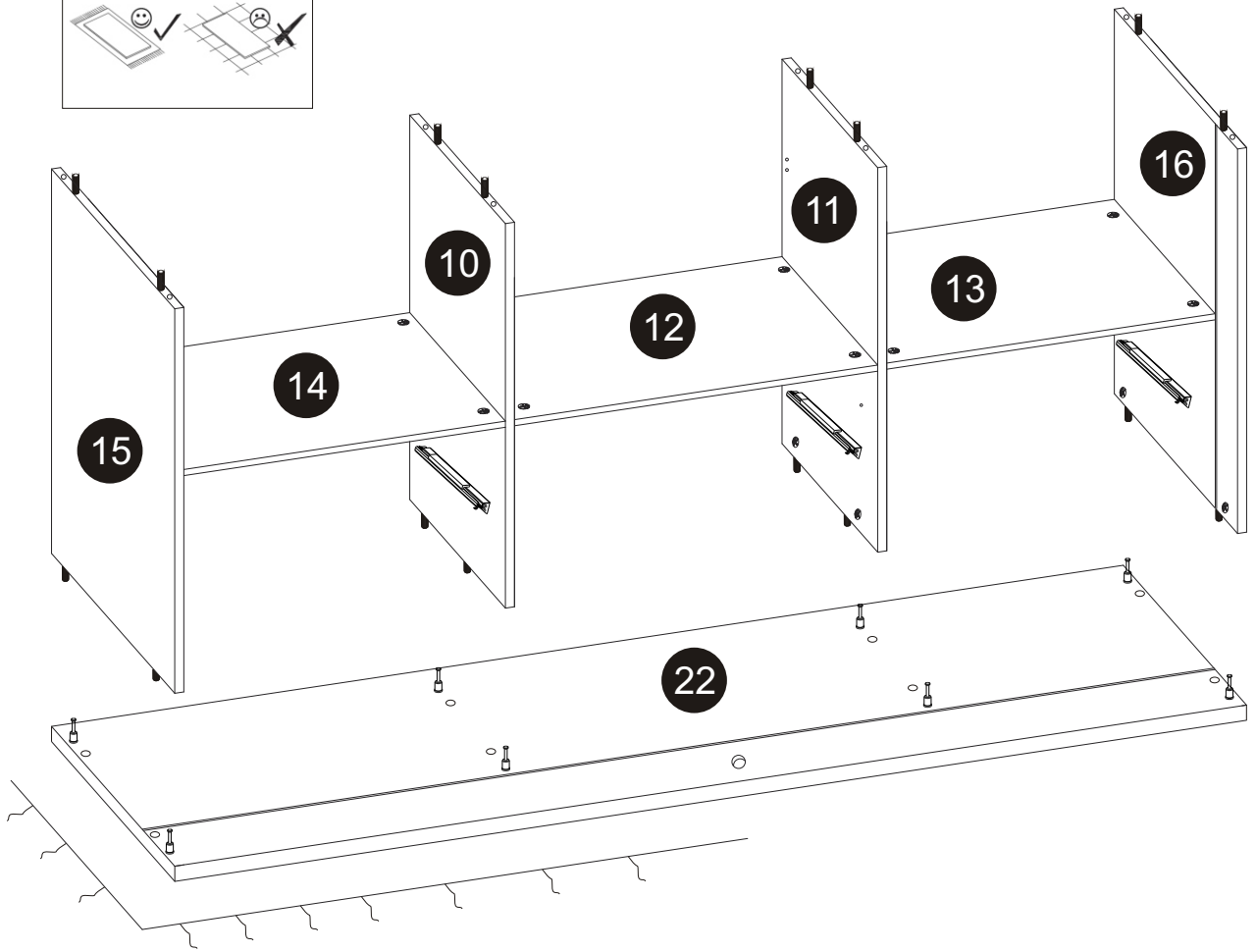
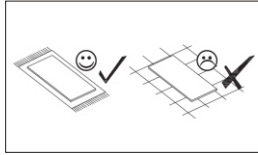
30



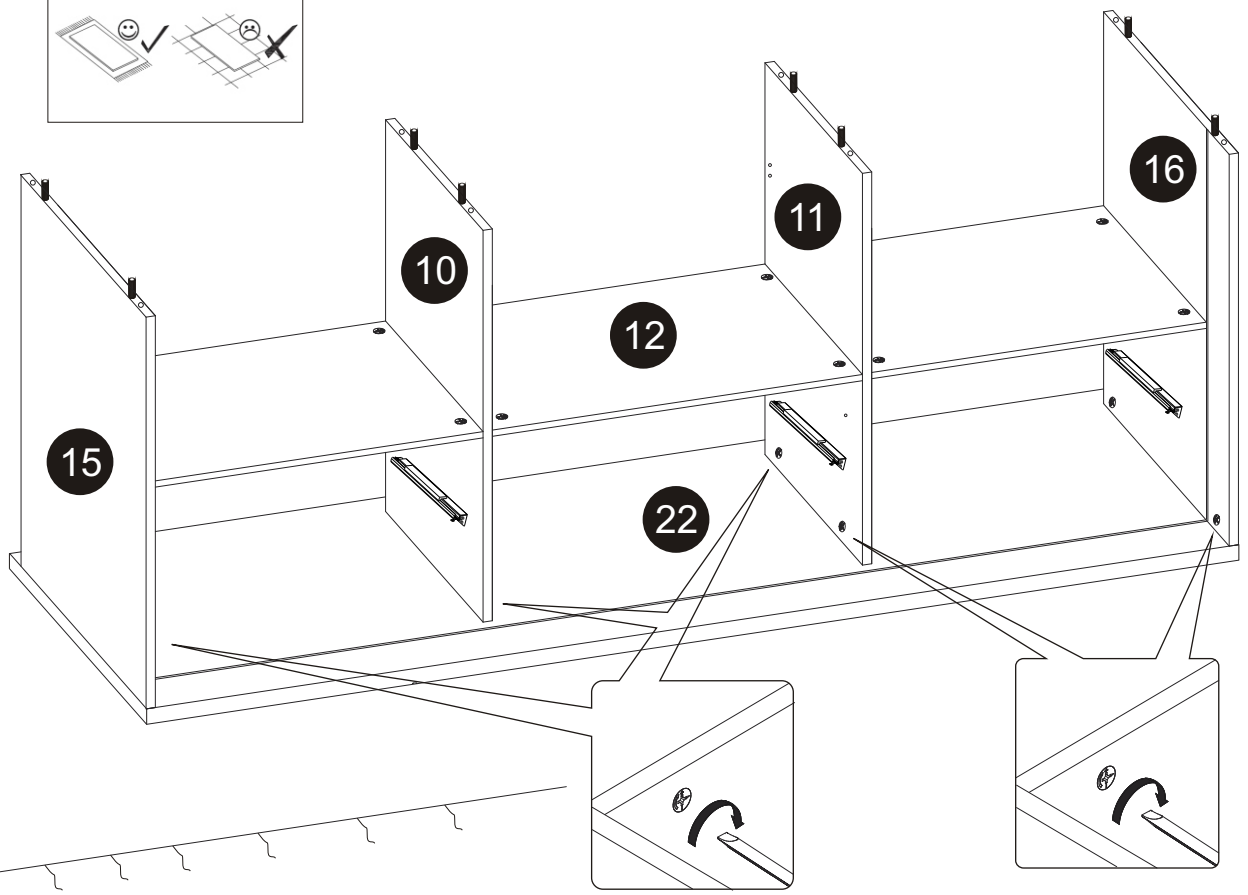
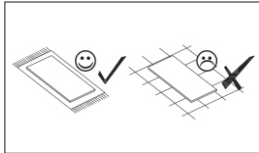
31



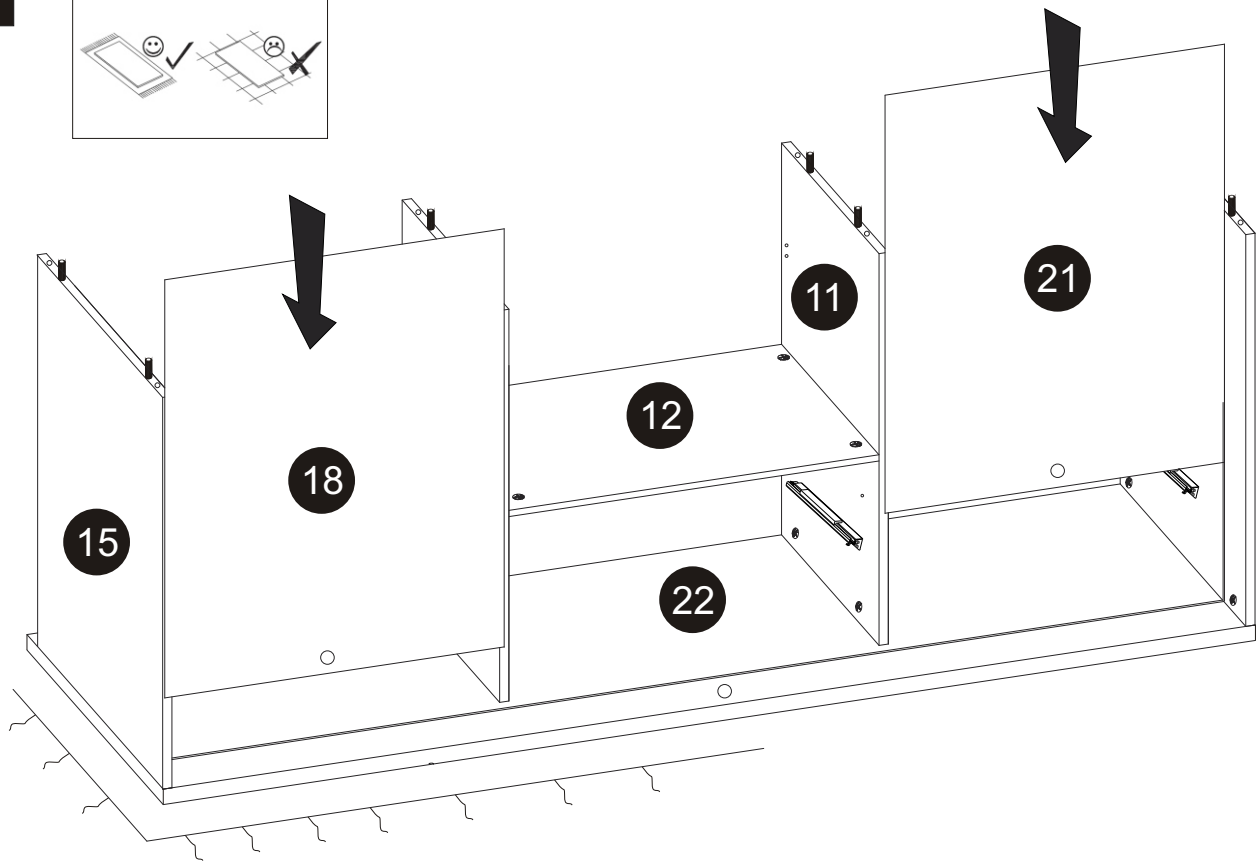
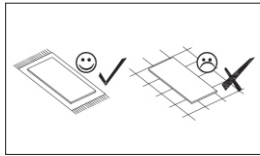
32



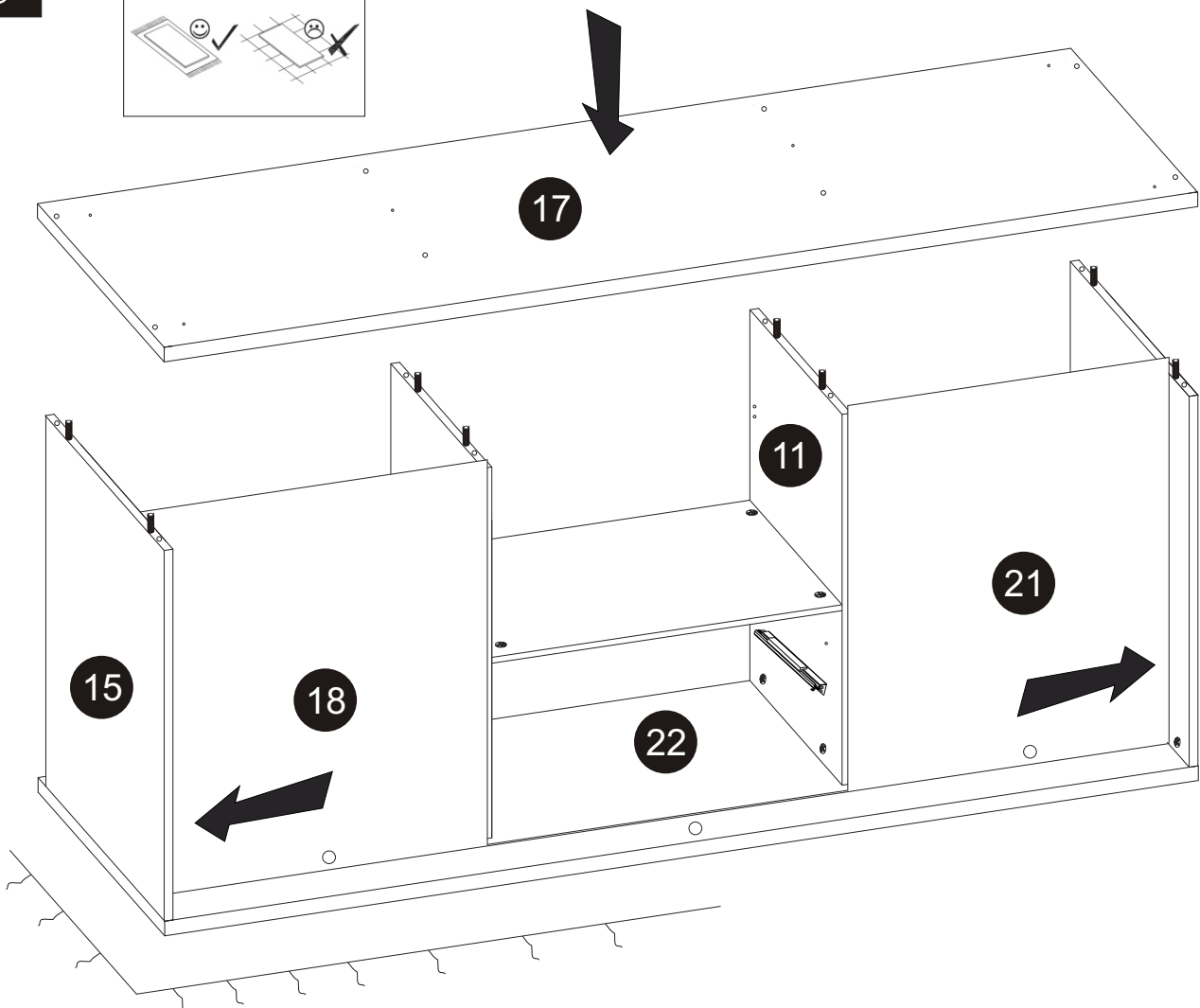
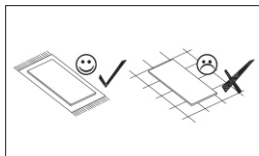
33



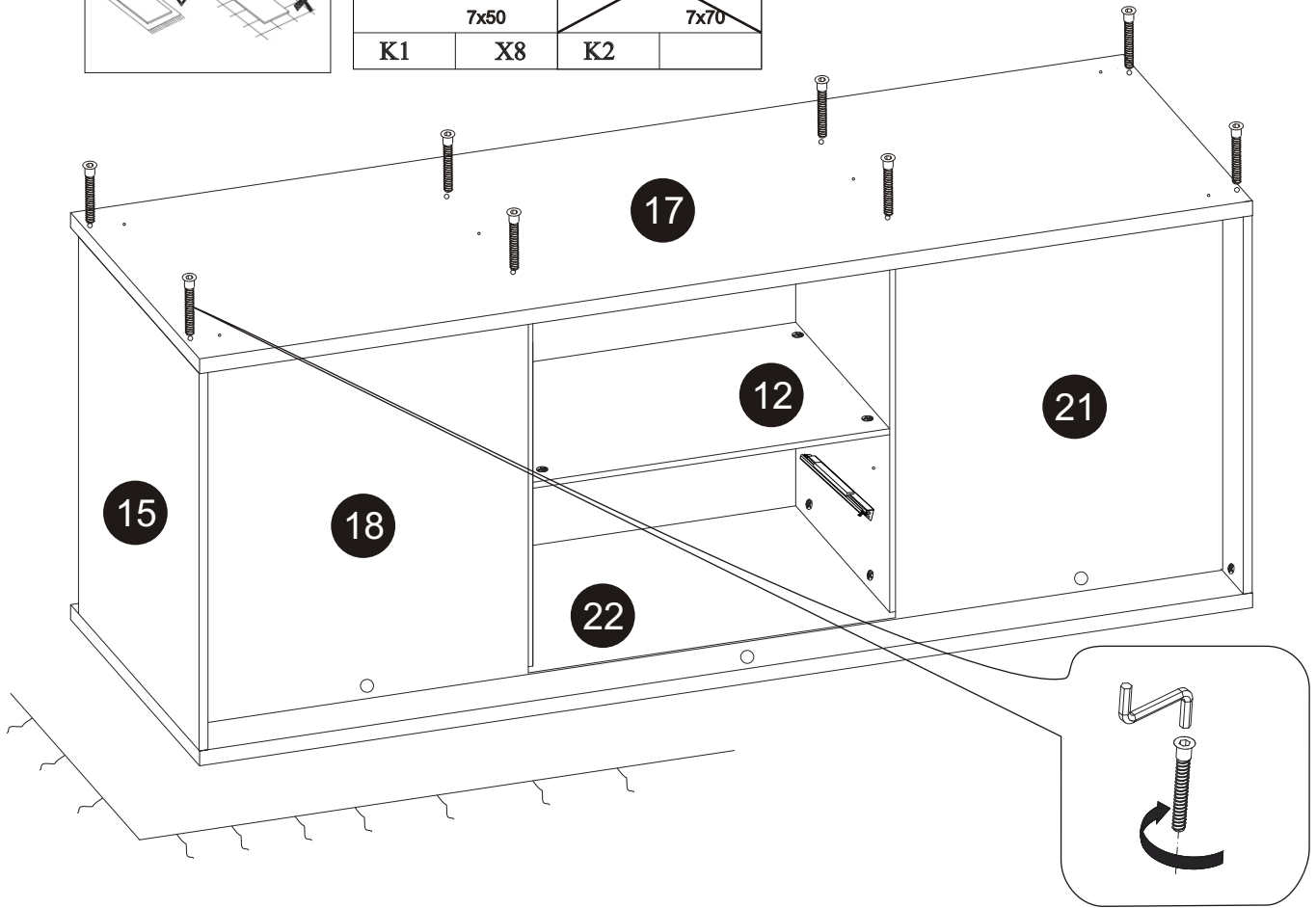
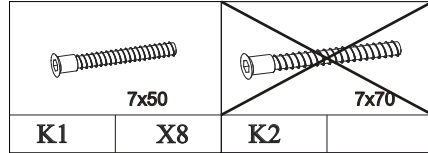
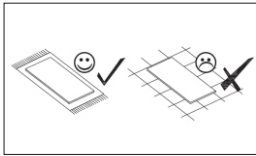
34



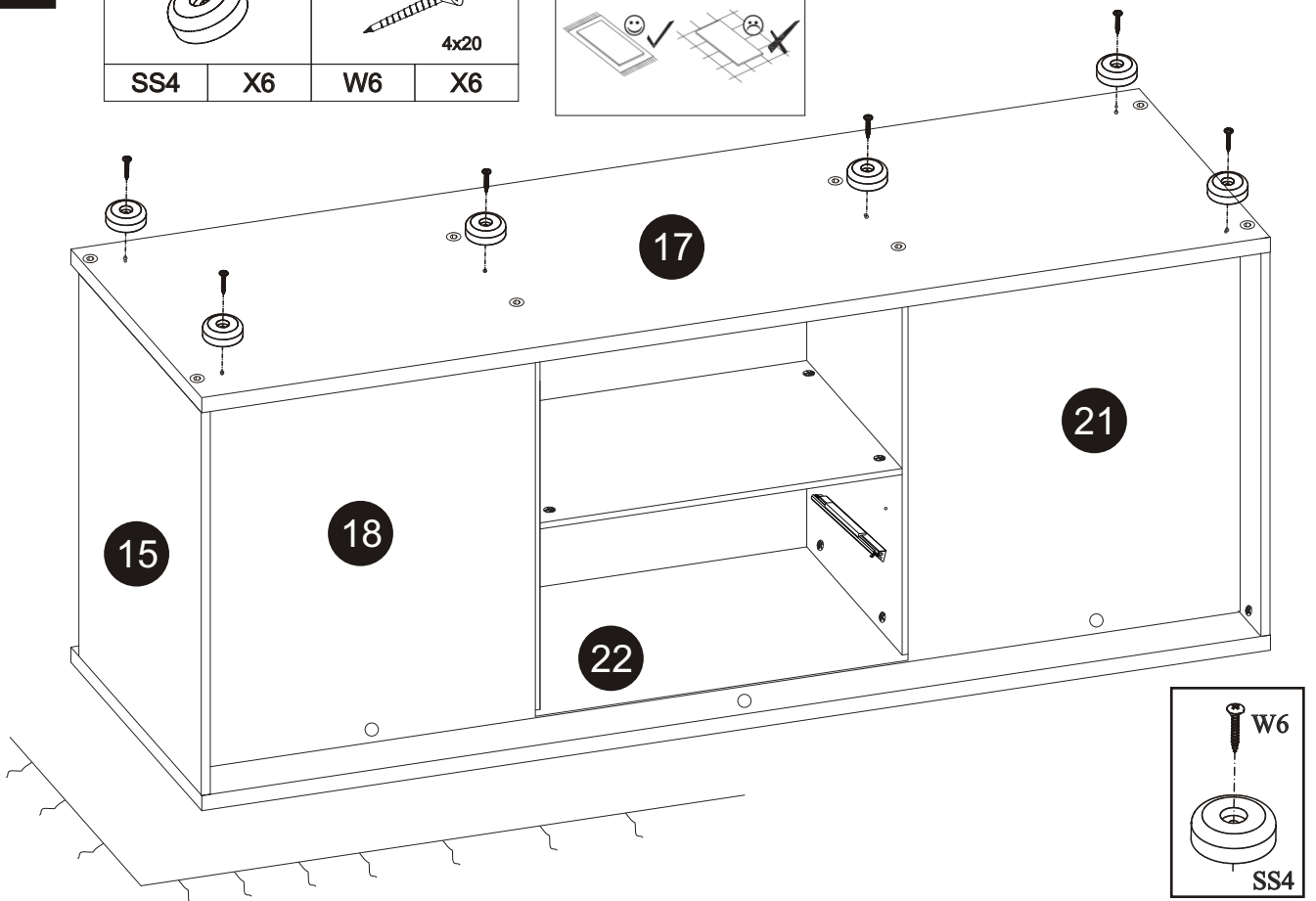
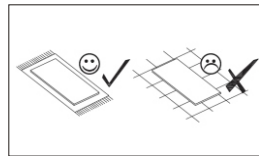
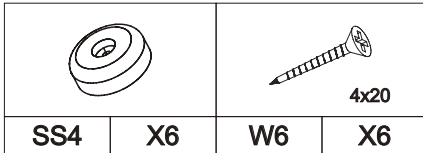
35



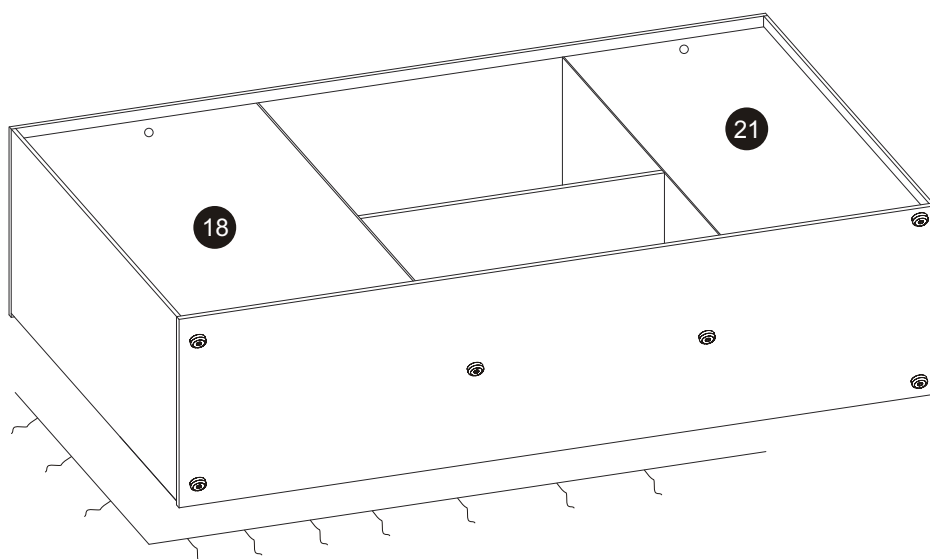
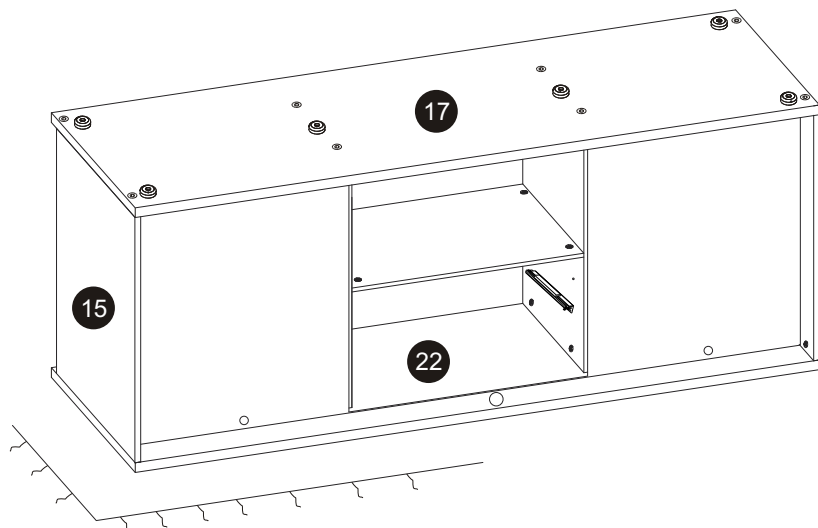
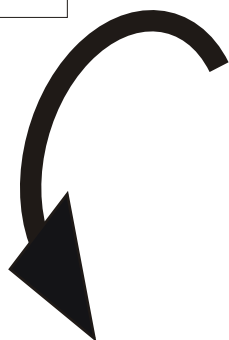
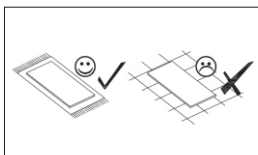
36



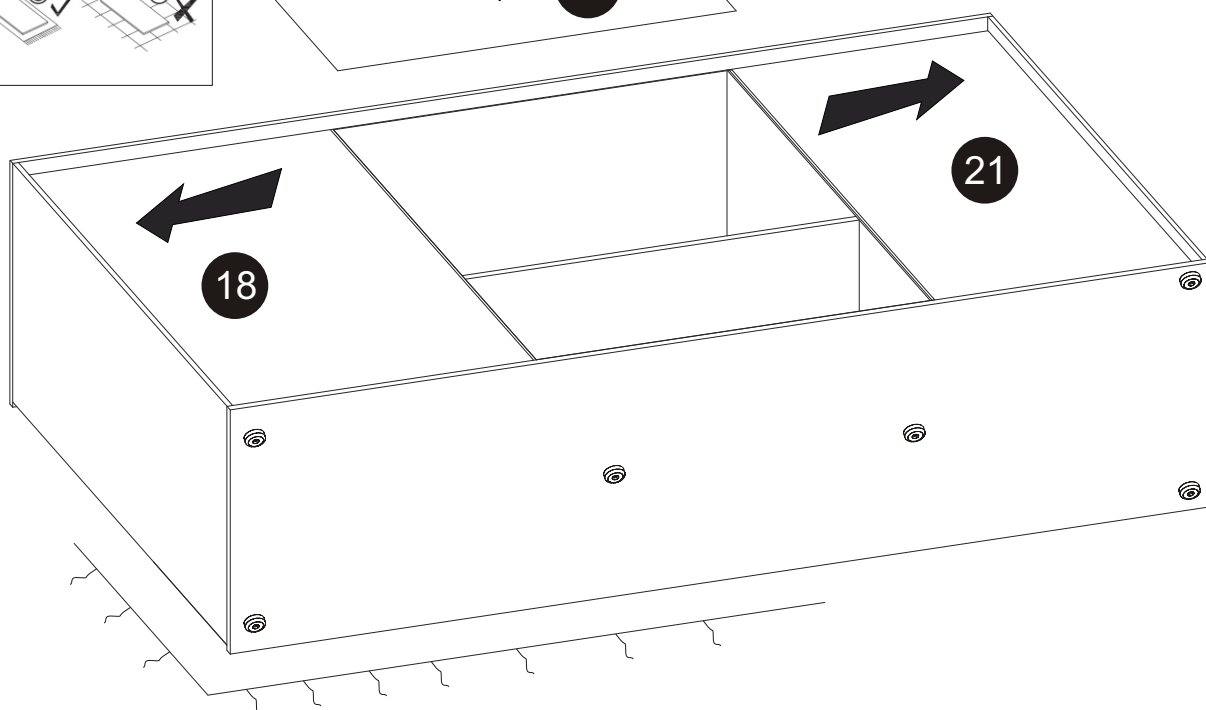
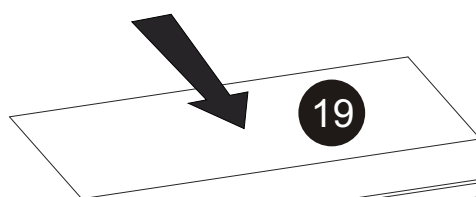
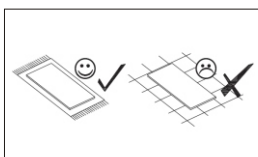
37



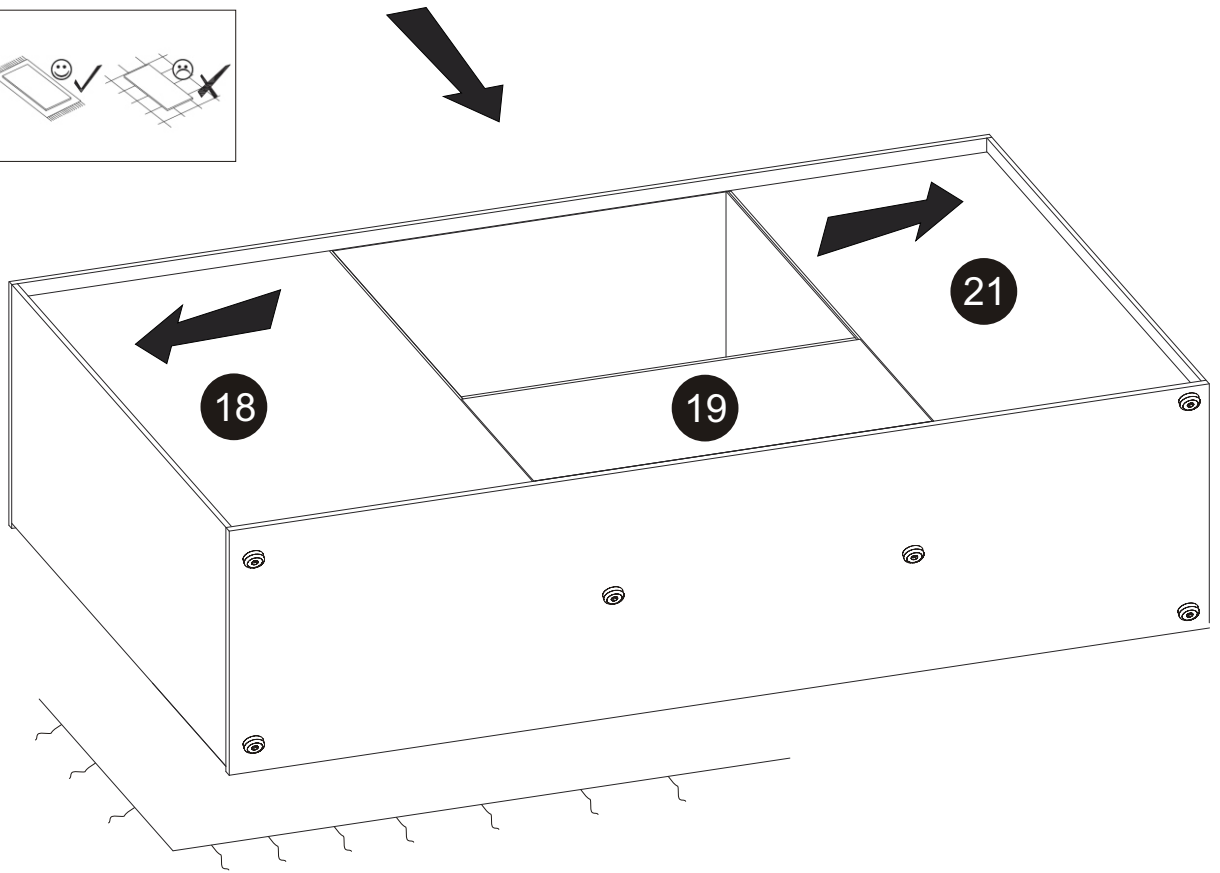
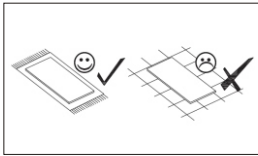
38



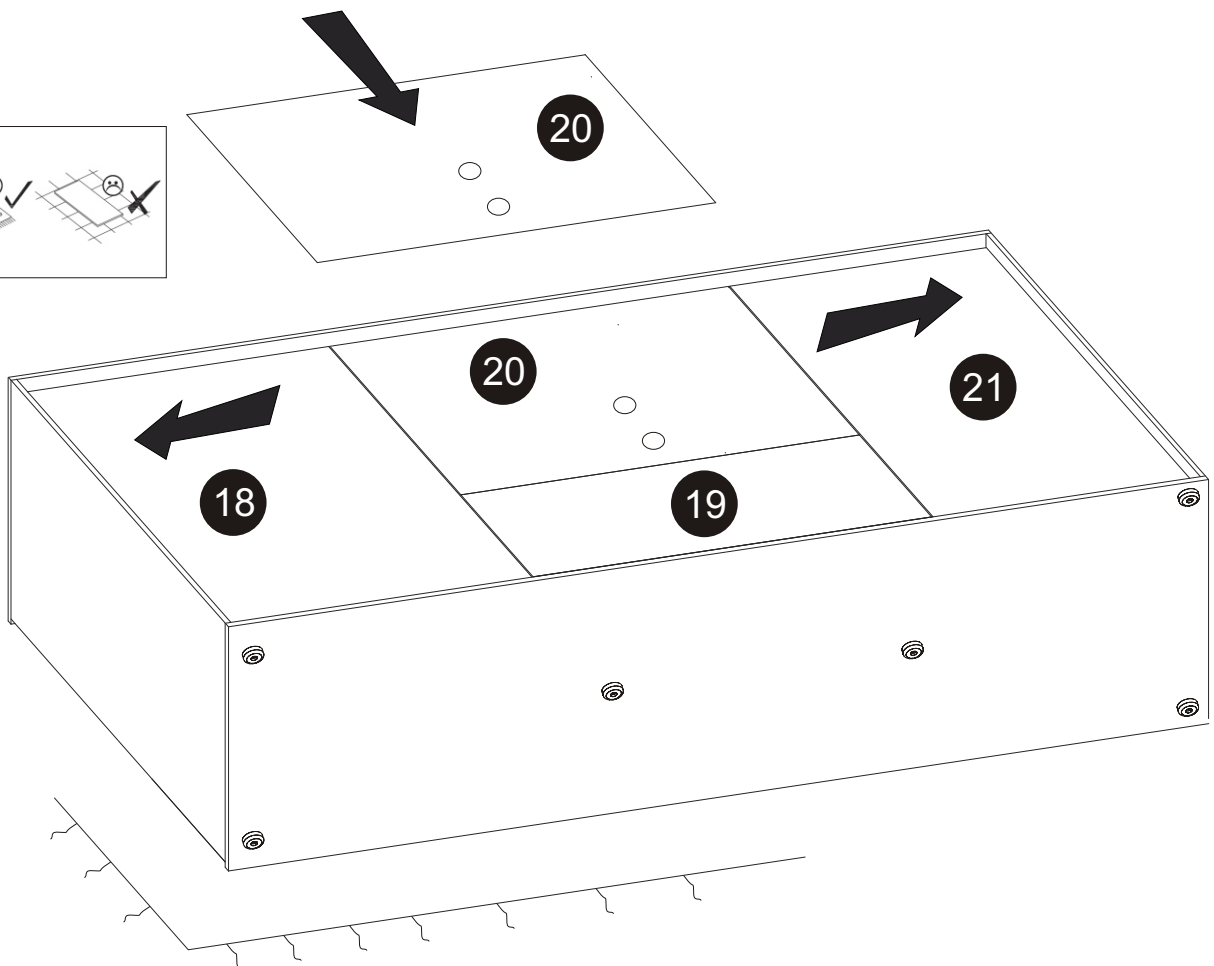
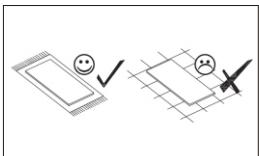
39



40

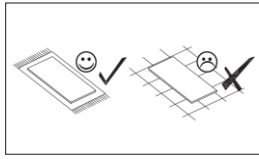


41

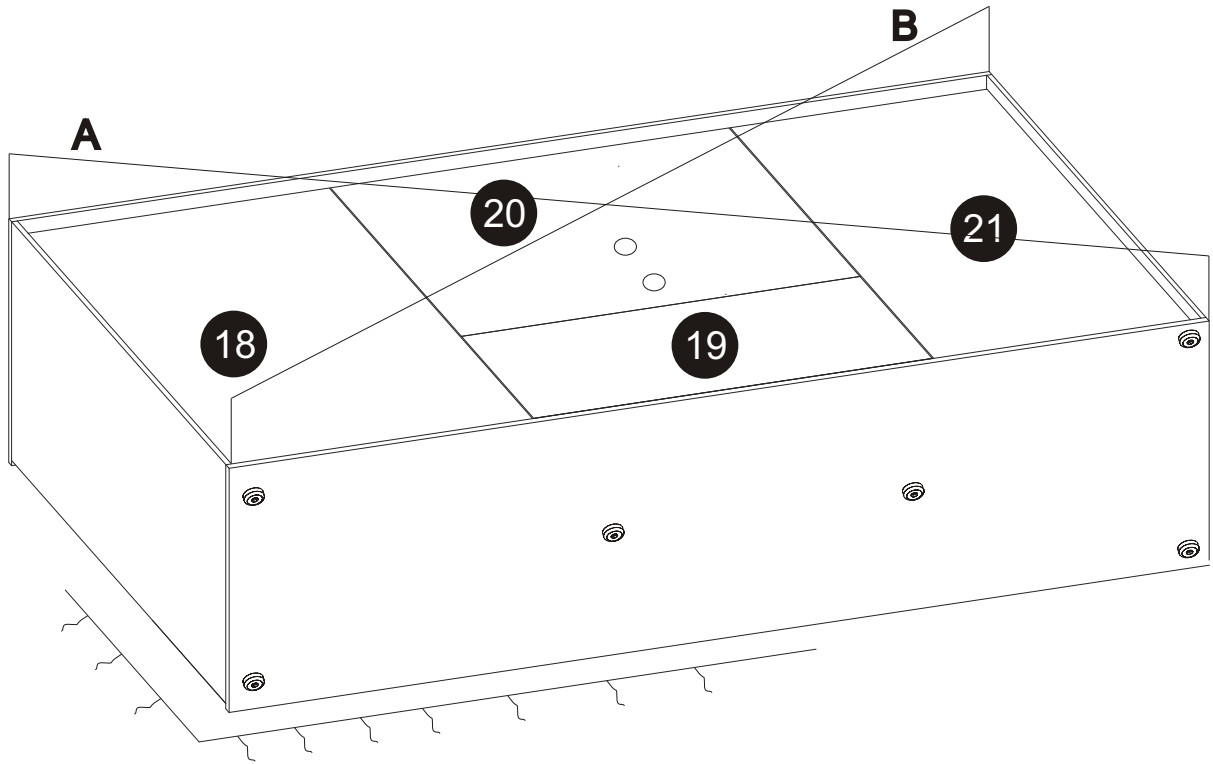
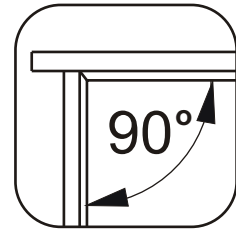




42

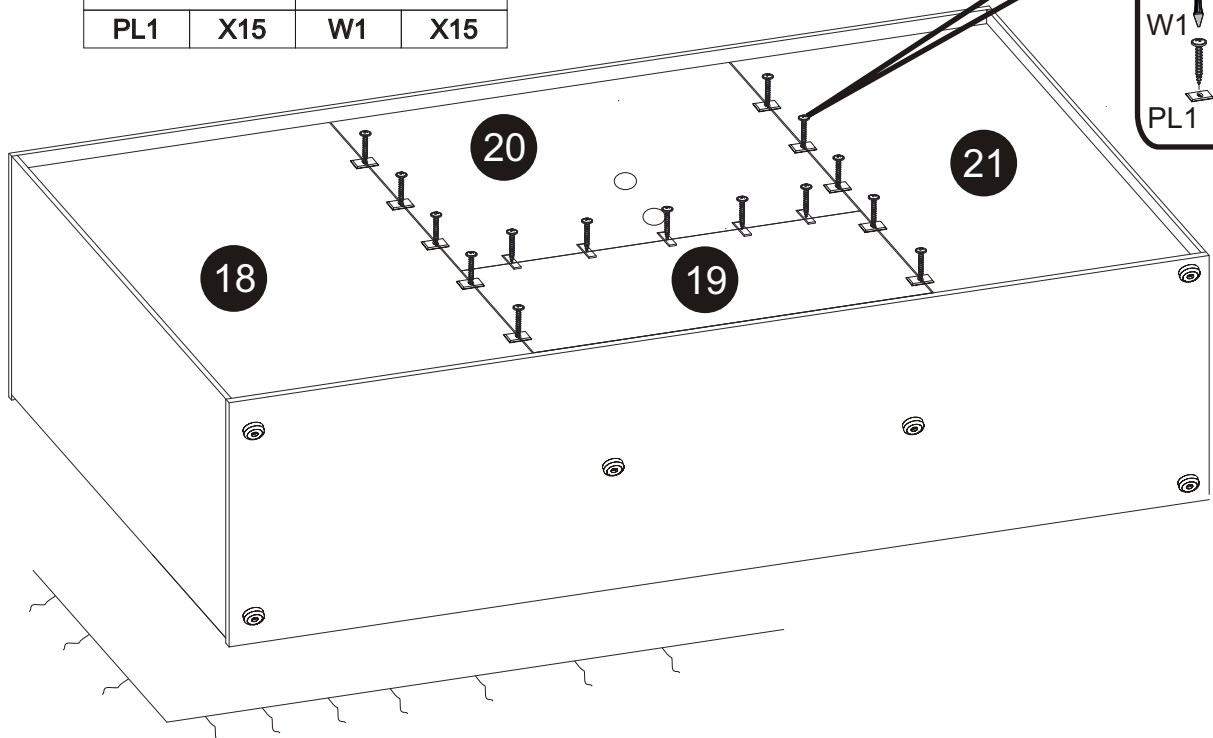
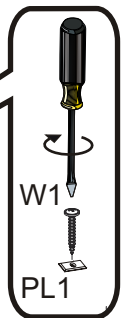
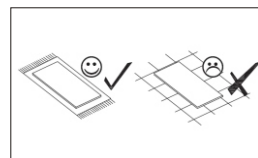


A=B

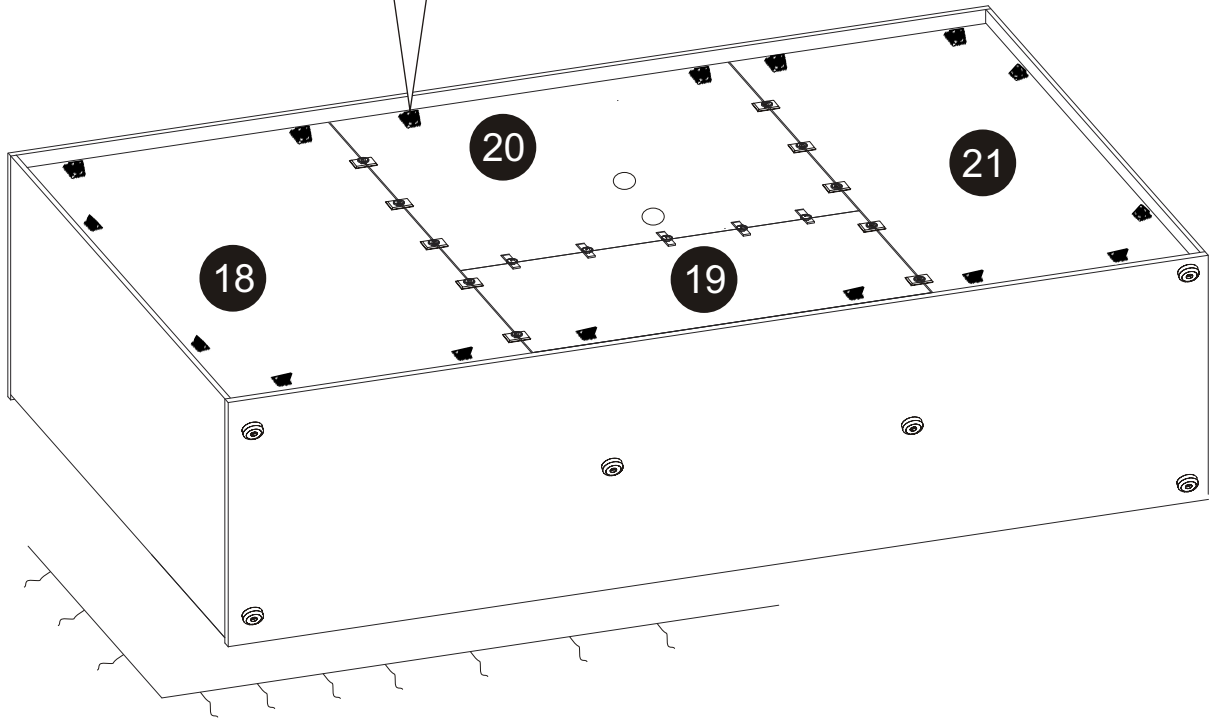
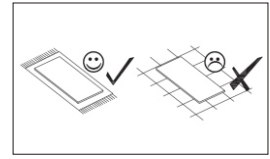
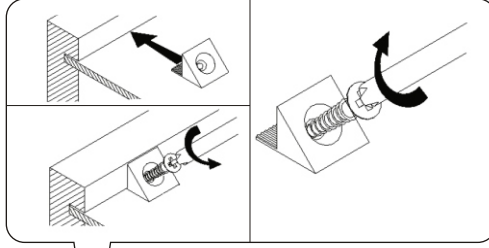
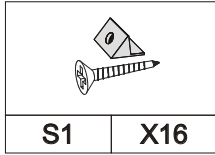


43

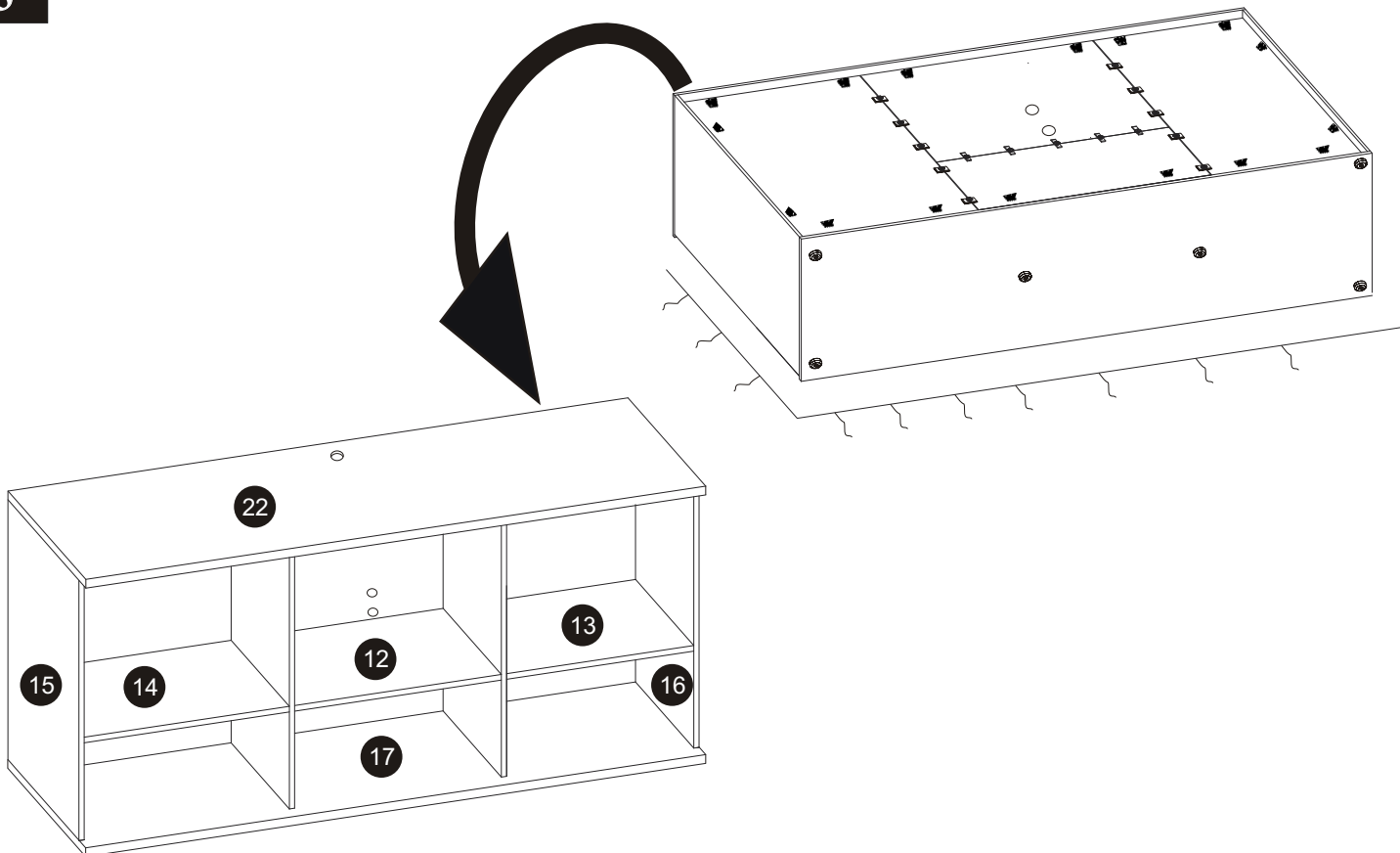
PL1	X15	W1	X15



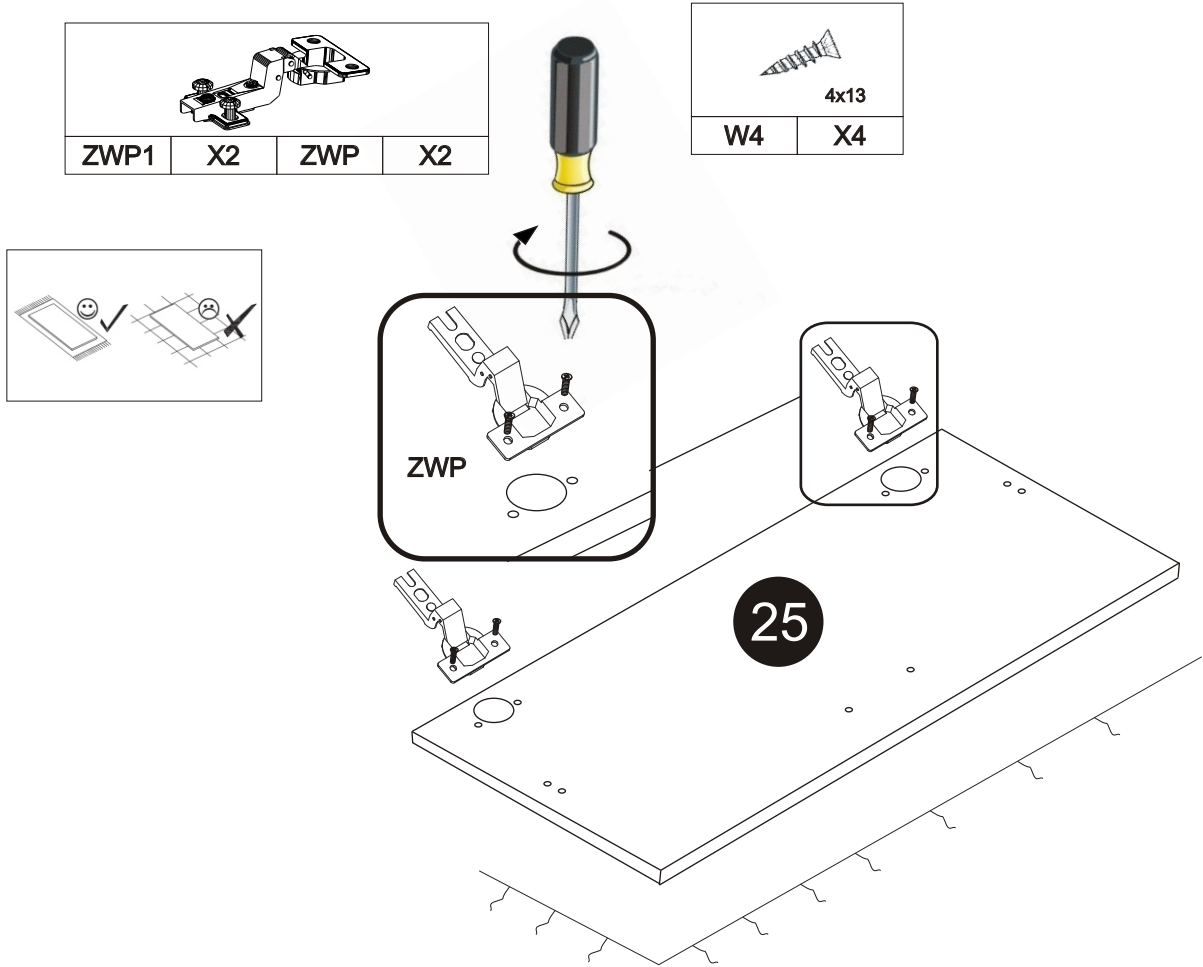
44



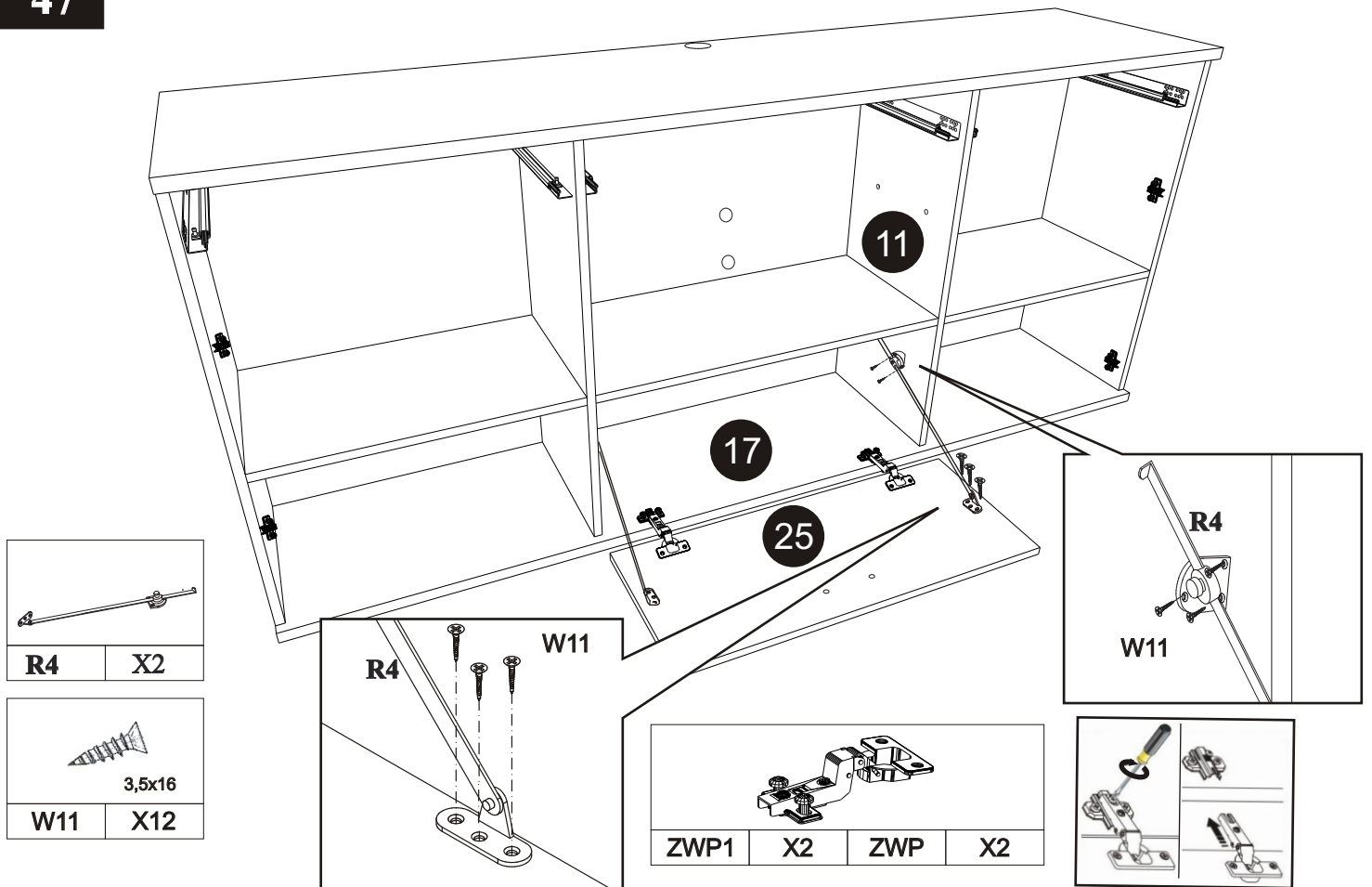
45



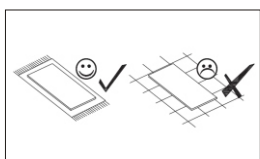
46



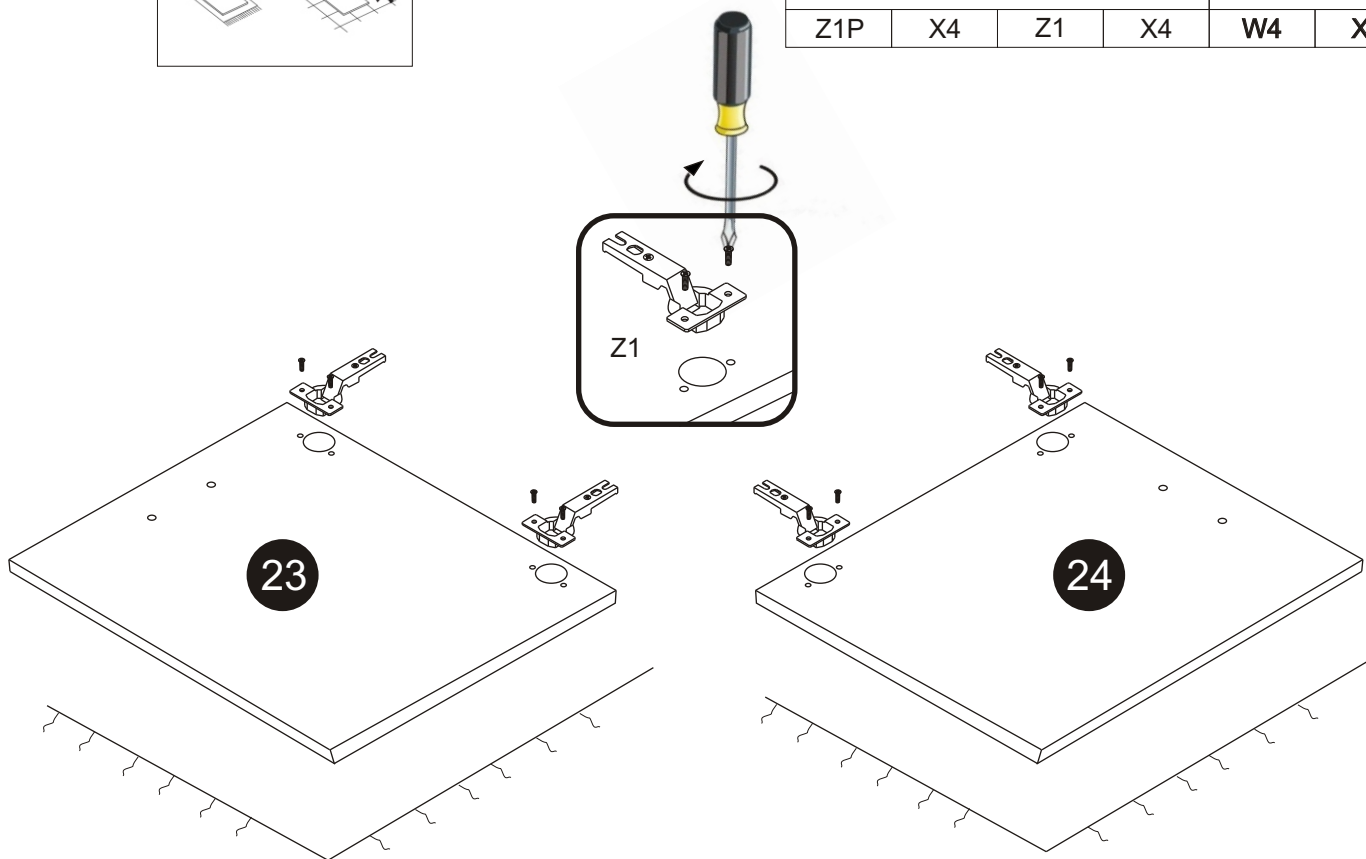
47



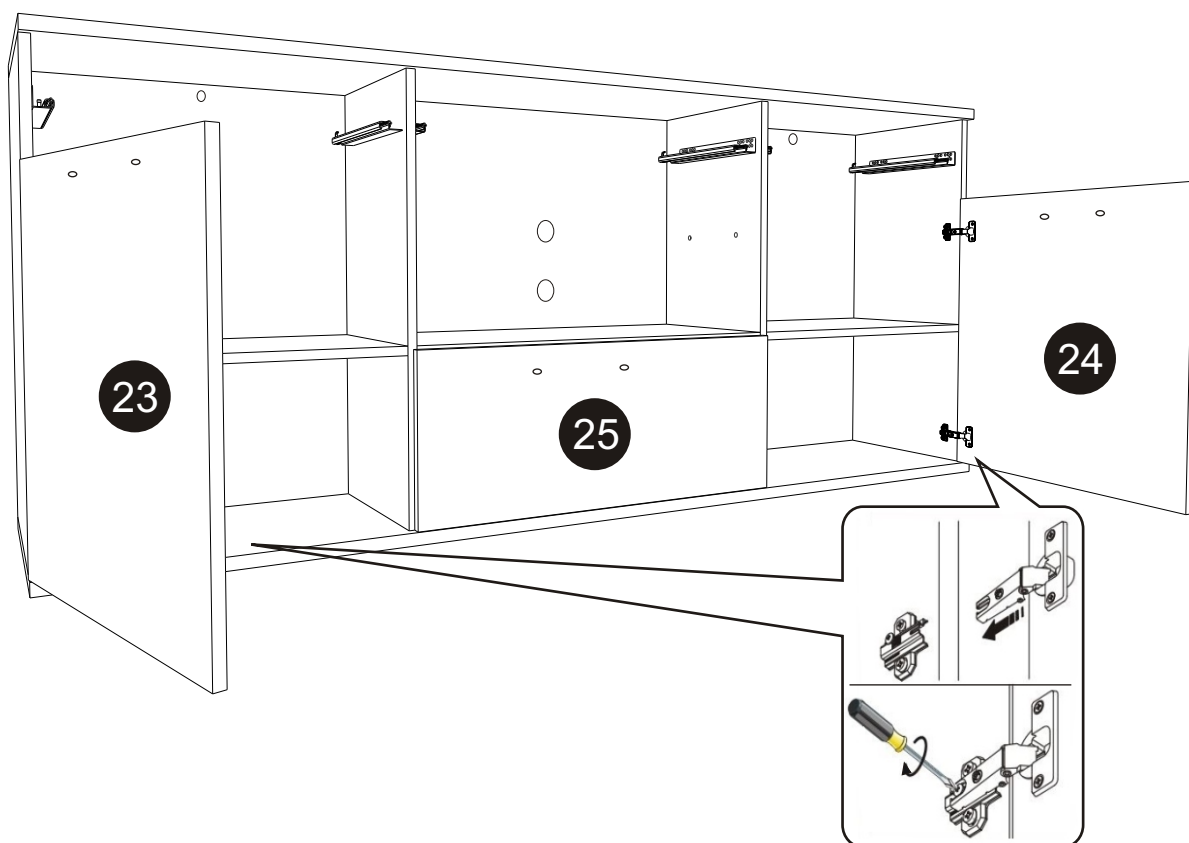
48



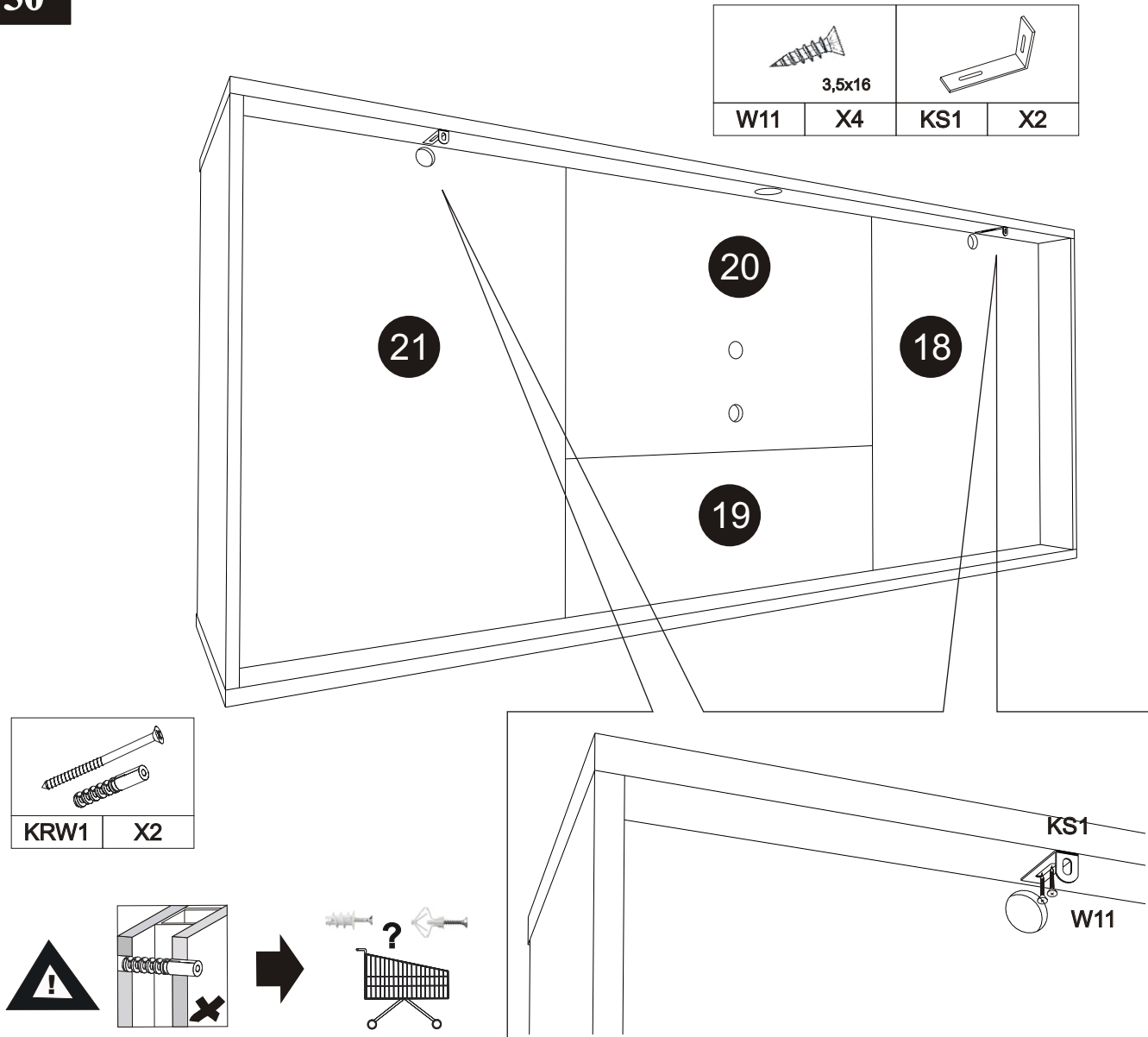
Z1P	X4	Z1	X4	W4	X8



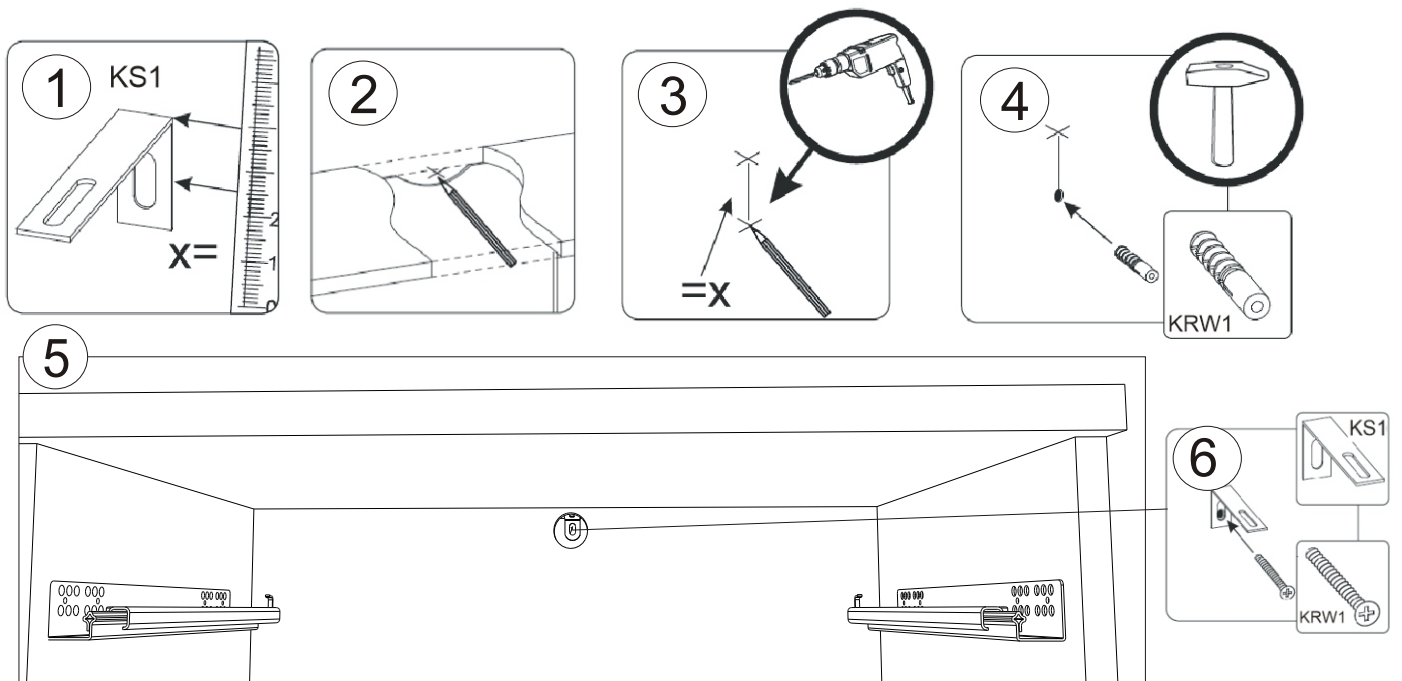
49



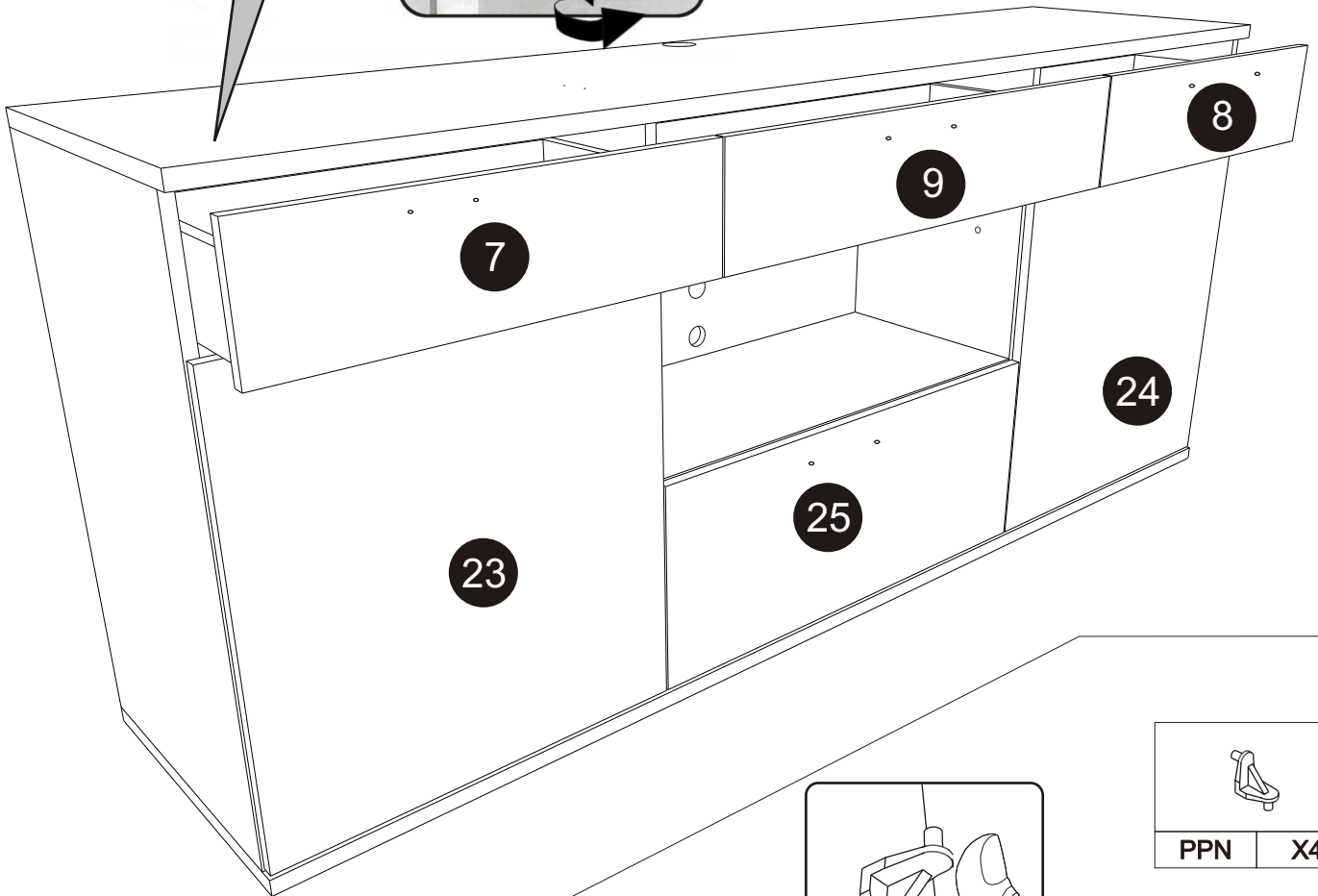
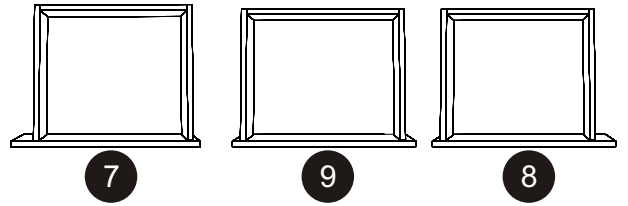
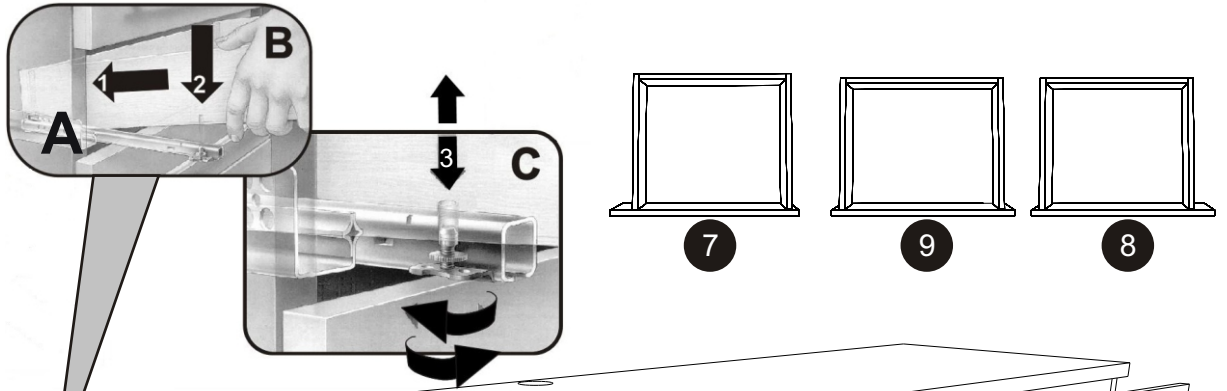
50



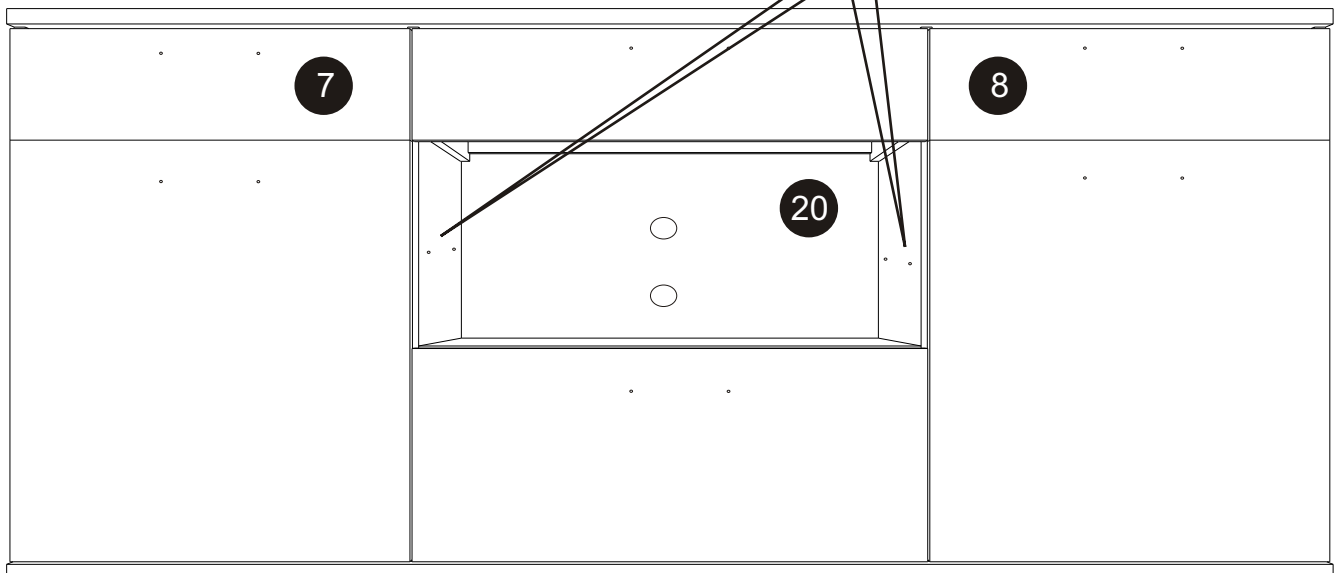
51



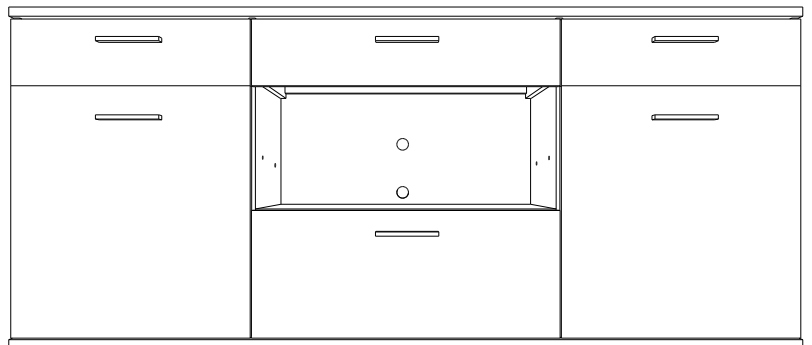
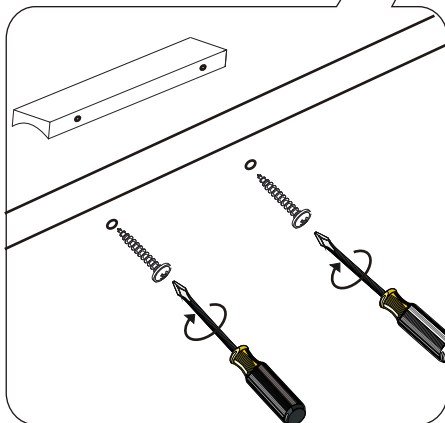
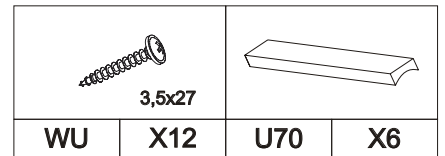
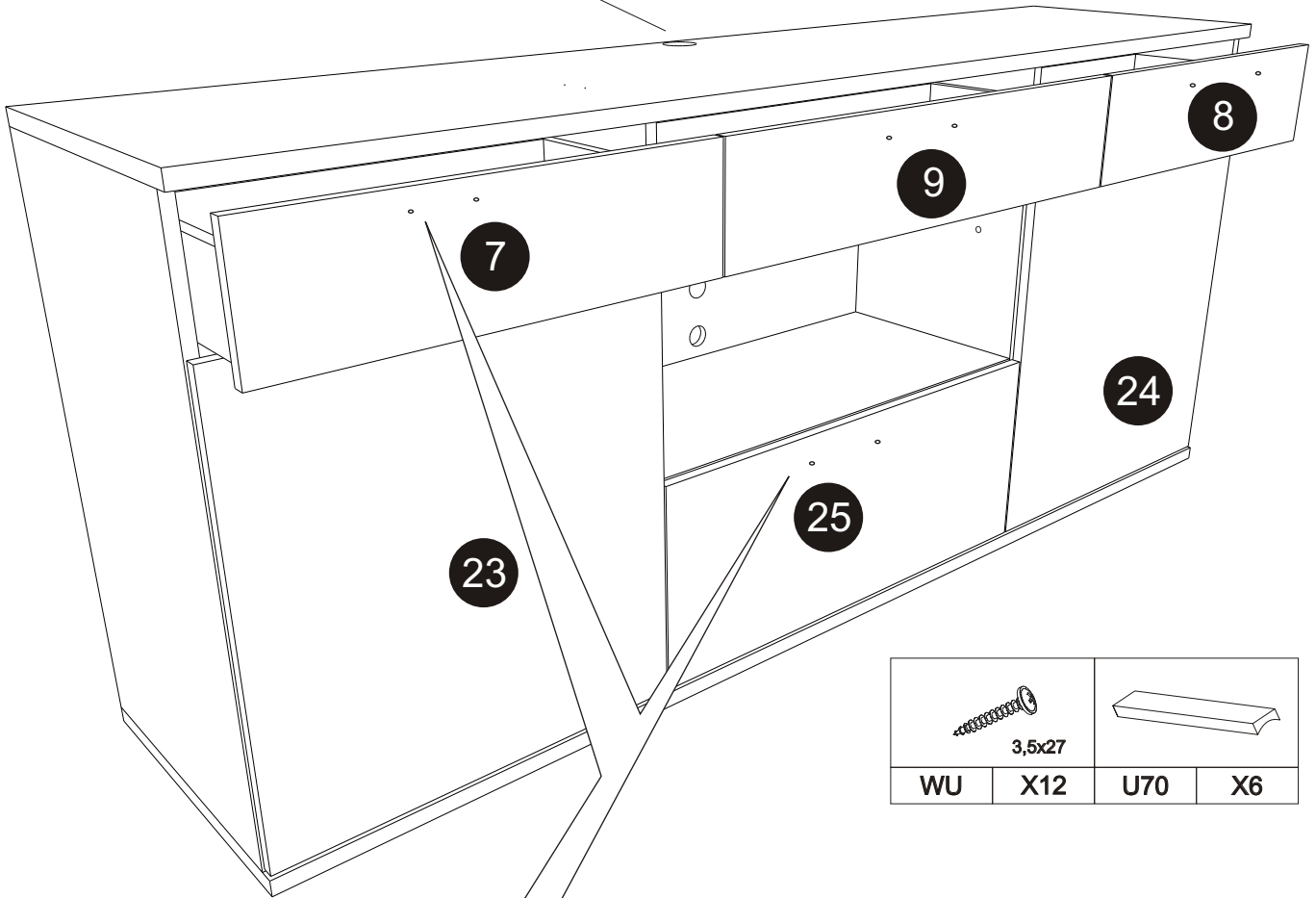
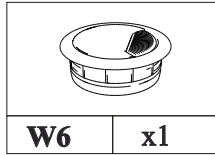
52



53



54



55

