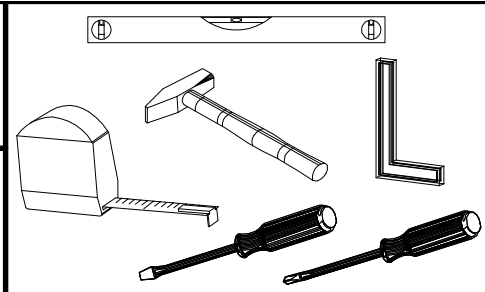


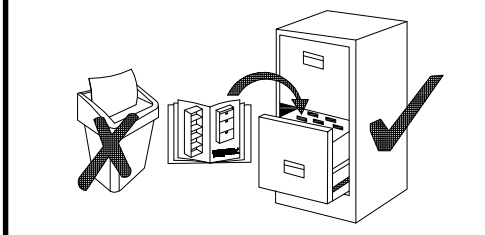
XL RUMBA

BJ01 DL01
 WH01 SO01



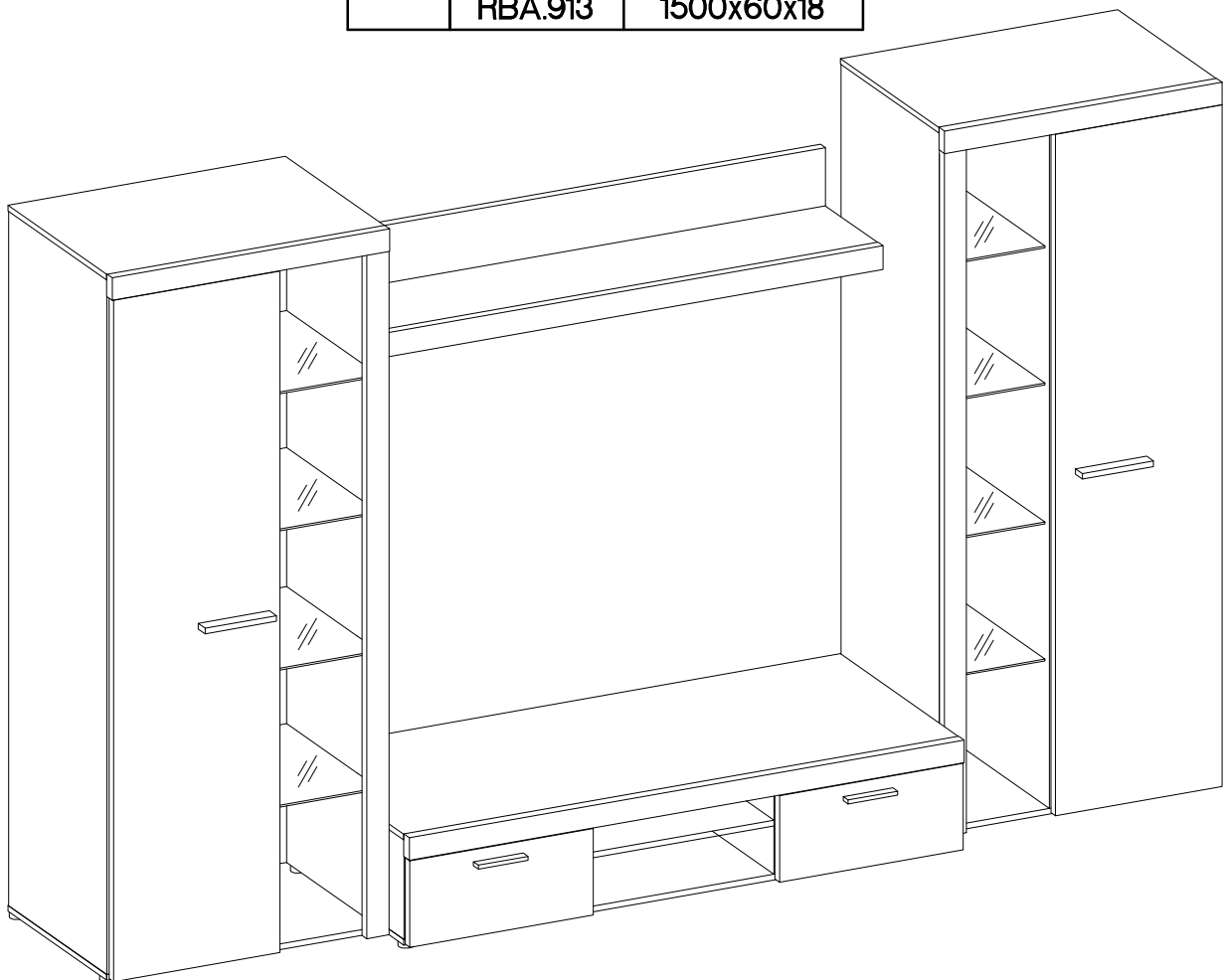
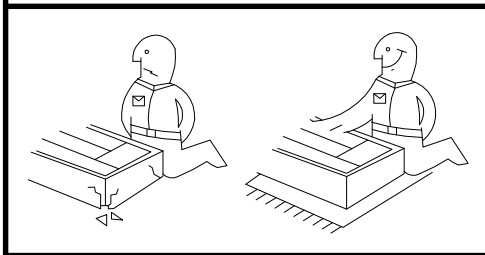
| Ersatzteil Nummer | Dimension |
|-------------------|--------------|
| RBA.201 x4 | 750x320,5x15 |
| RBA.301 x4 | 423x283x15 |
| RBA.401 x2 | 424x293x15 |
| RBA.901 x2 | 718x100x15 |
| RBA.902 x2 | 750x60x18 |
| RBA.801 x8 | 278x283x5 |

| Ersatzteil Nummer | Dimension |
|-------------------|--------------|
| RBA.108 | 1850x320x15 |
| RBA.109 | 1850x320x15 |
| RBA.506 | 1850x298x15 |
| RBA.601 | 436x1859x2,5 |
| RBA.602 | 291x1859x2,5 |
| RBA.701 | 450x1815x15 |
| RBA.903 | 1821x60x16 |



| Ersatzteil Nummer | Dimension |
|-------------------|--------------|
| RBA.101 | 1850x320x15 |
| RBA.102 | 1850x320x15 |
| RBA.501 | 1850x298x15 |
| RBA.601 | 436x1859x2,5 |
| RBA.602 | 291x1859x2,5 |
| RBA.701 | 450x1815x15 |
| RBA.903 | 1821x60x16 |

| Ersatzteil Nummer | Dimension |
|-------------------|---------------|
| RBA.105 x2 | 265x384x15 |
| RBA.204x2 | 1500x384,5x15 |
| RBA.303 | 1398x160x15 |
| RBA.305 | 494x357x15 |
| RBA.503 x2 | 265x362x15 |
| RBA.609 x2 | 490x274x2,5 |
| RBA.706 x2 | 496x230x15 |
| RBA.905 | 1400x160x15 |
| RBA.906 | 1400x60x16 |
| RBA.913 | 1500x60x18 |



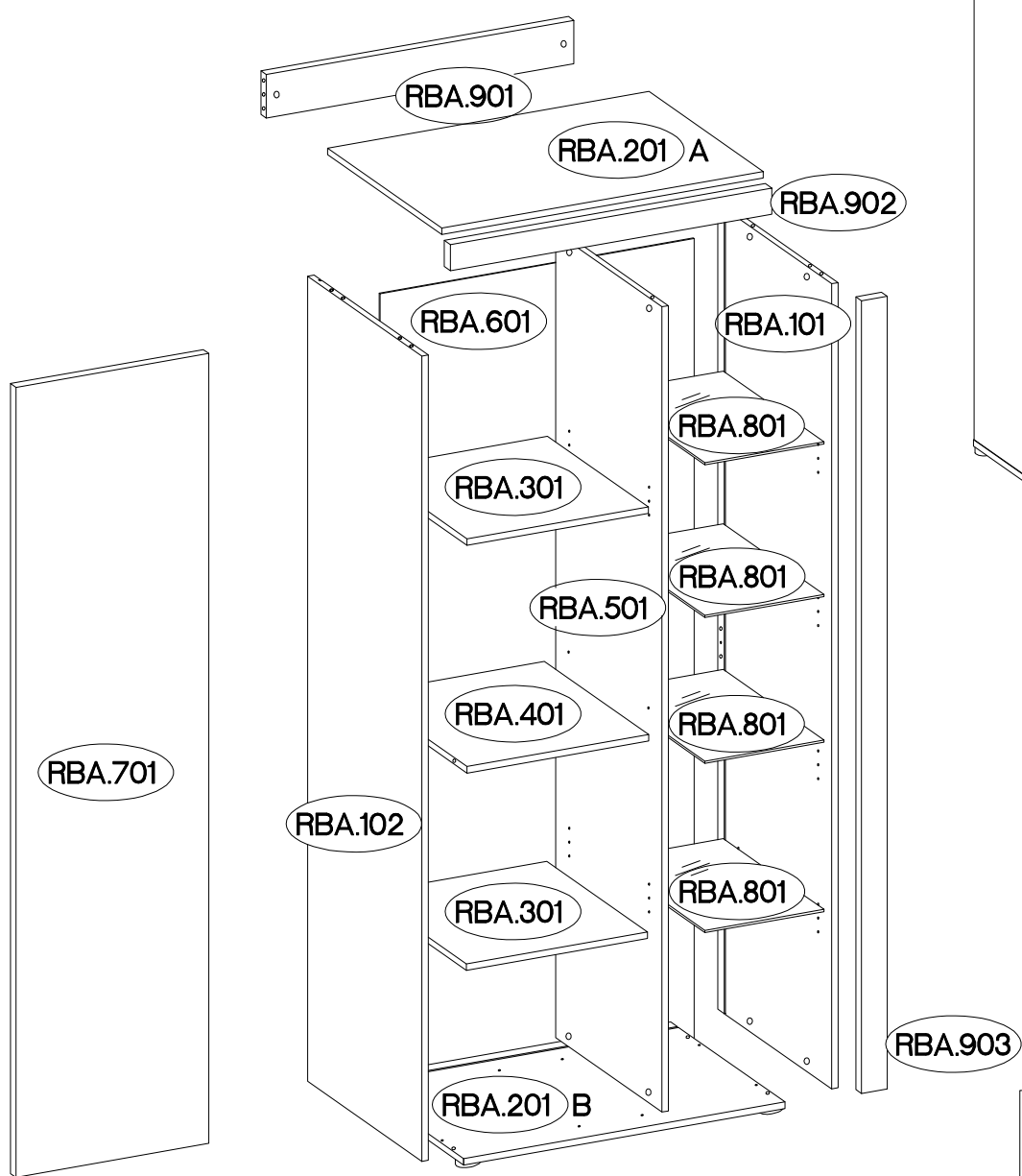
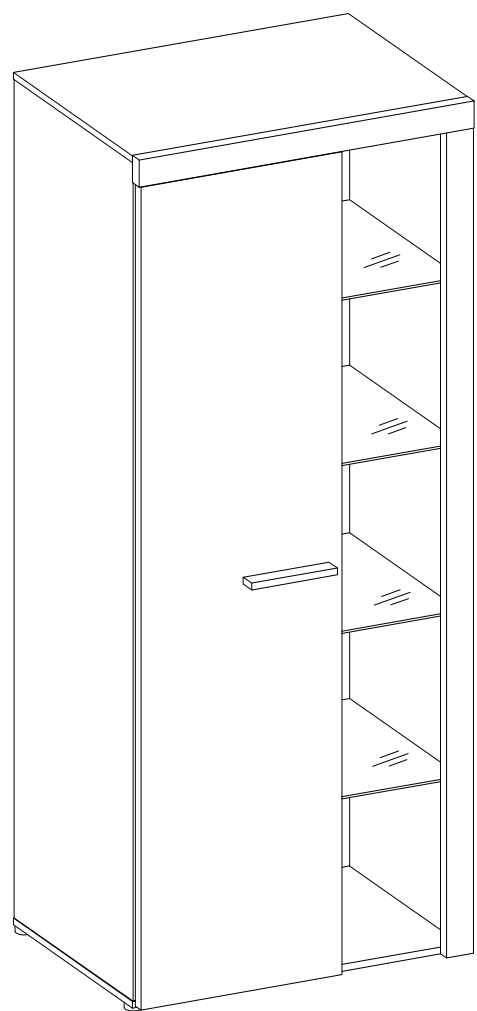
RBA.801



RBA.301 =



RBA.401



| | |
|---|----|
| | T3 |
| 1 | |

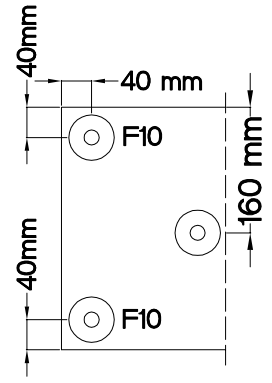
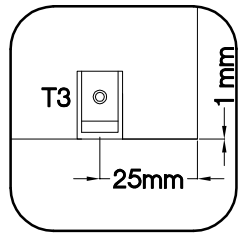
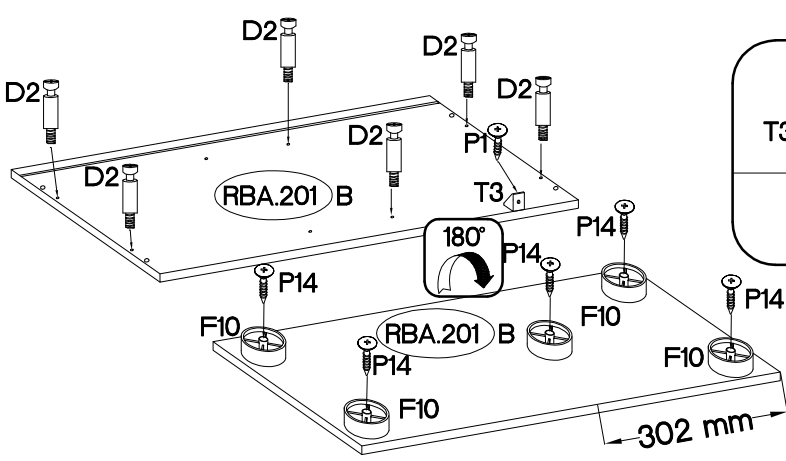
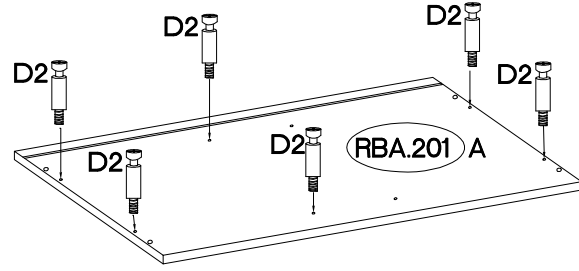
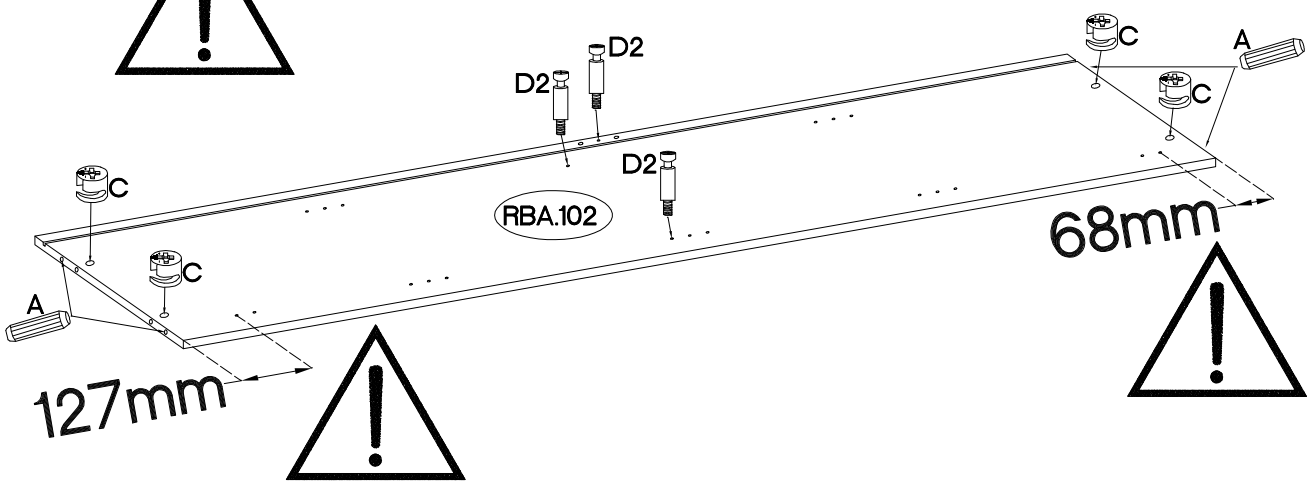
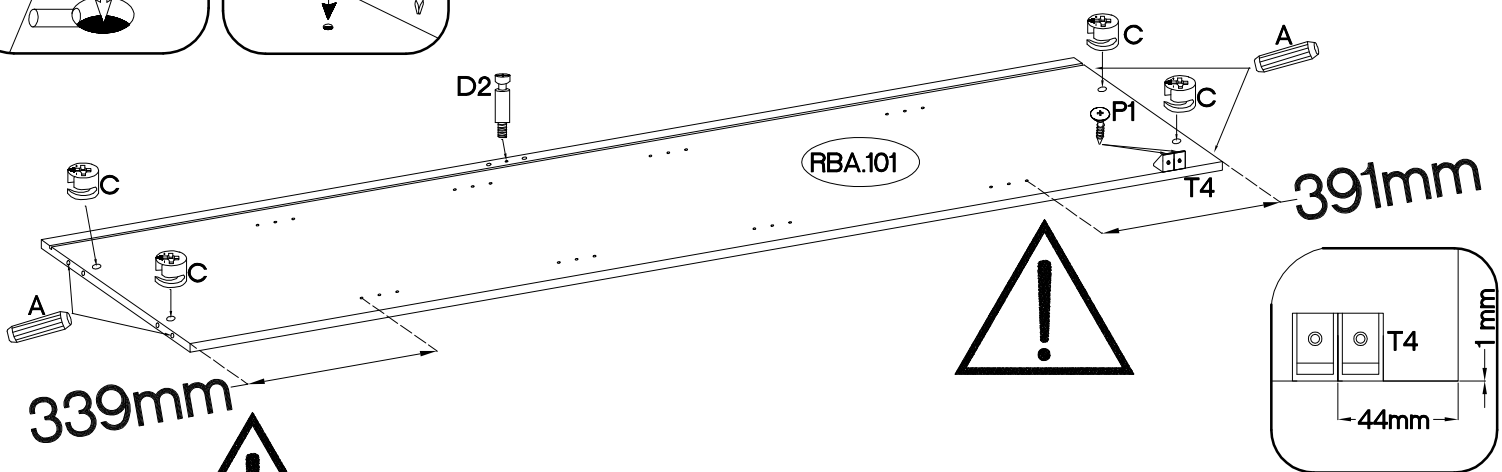
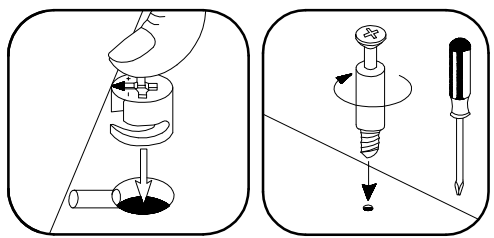
| | | |
|-----|-----|----|
| | | |
| F10 | P14 | T9 |
| 5 | 5 | 7 |

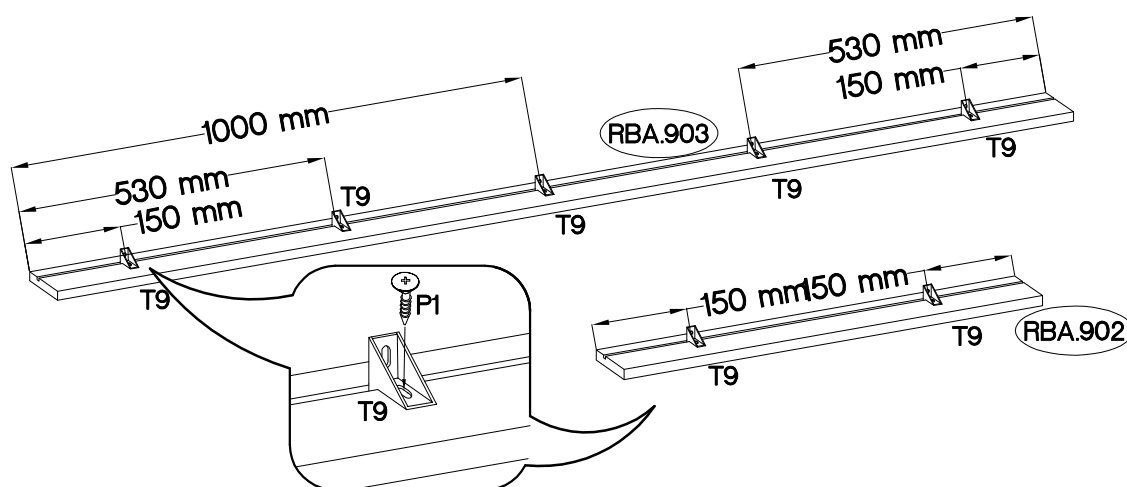
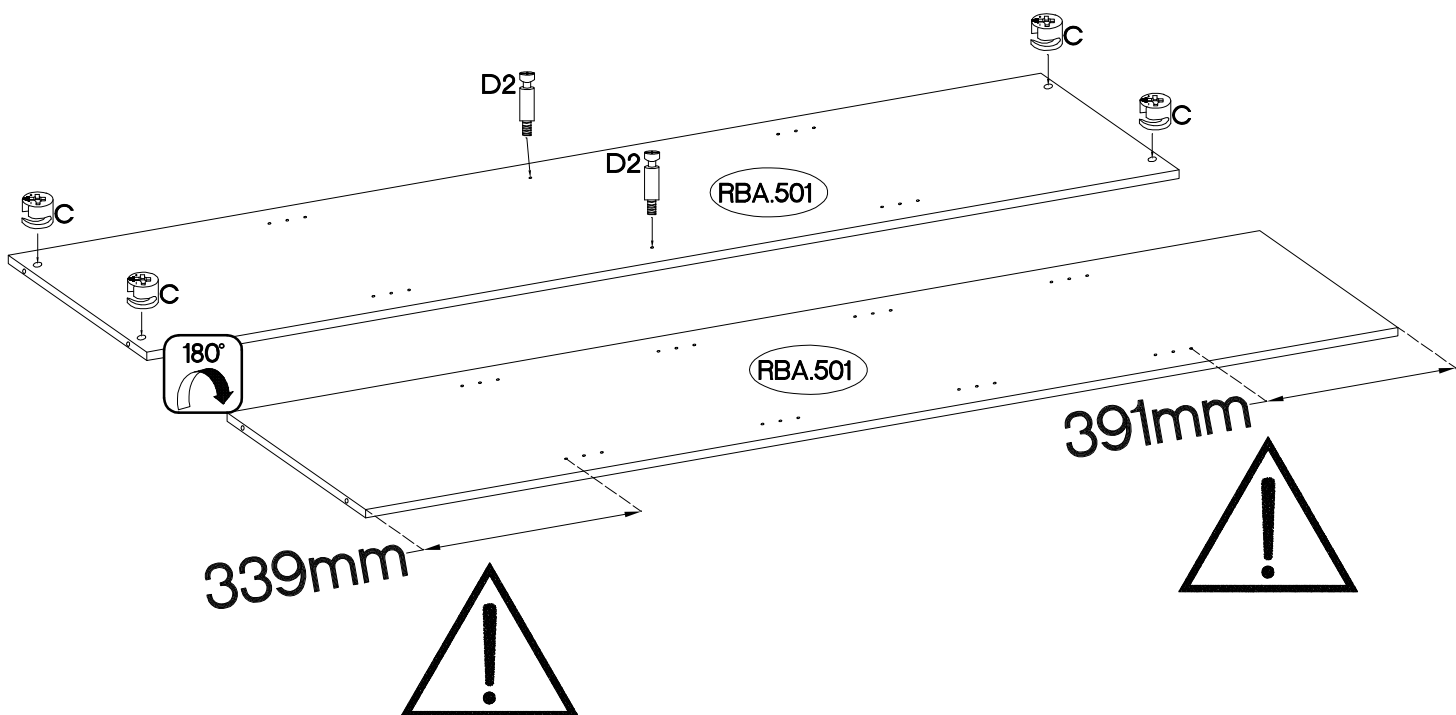
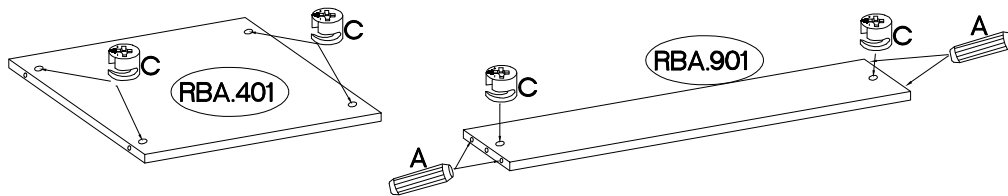
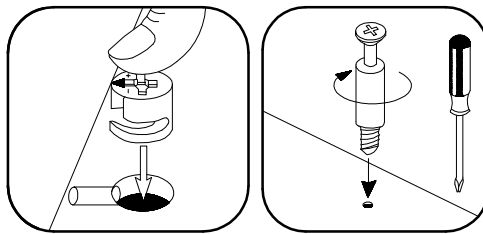
| | | | | | | | | |
|----|----|----|-----|----|----|----|----|----|
| | | | | | | | | |
| O7 | L9 | E | J12 | P5 | L2 | P1 | H | T4 |
| 1 | 1 | 16 | 16 | 7 | 10 | 20 | 3 | 1 |
| | | | | | | | | |
| R2 | P7 | D2 | C | A | 12 | S1 | J3 | G |
| 2 | 10 | 18 | 18 | 12 | 12 | 1 | 8 | 3 |



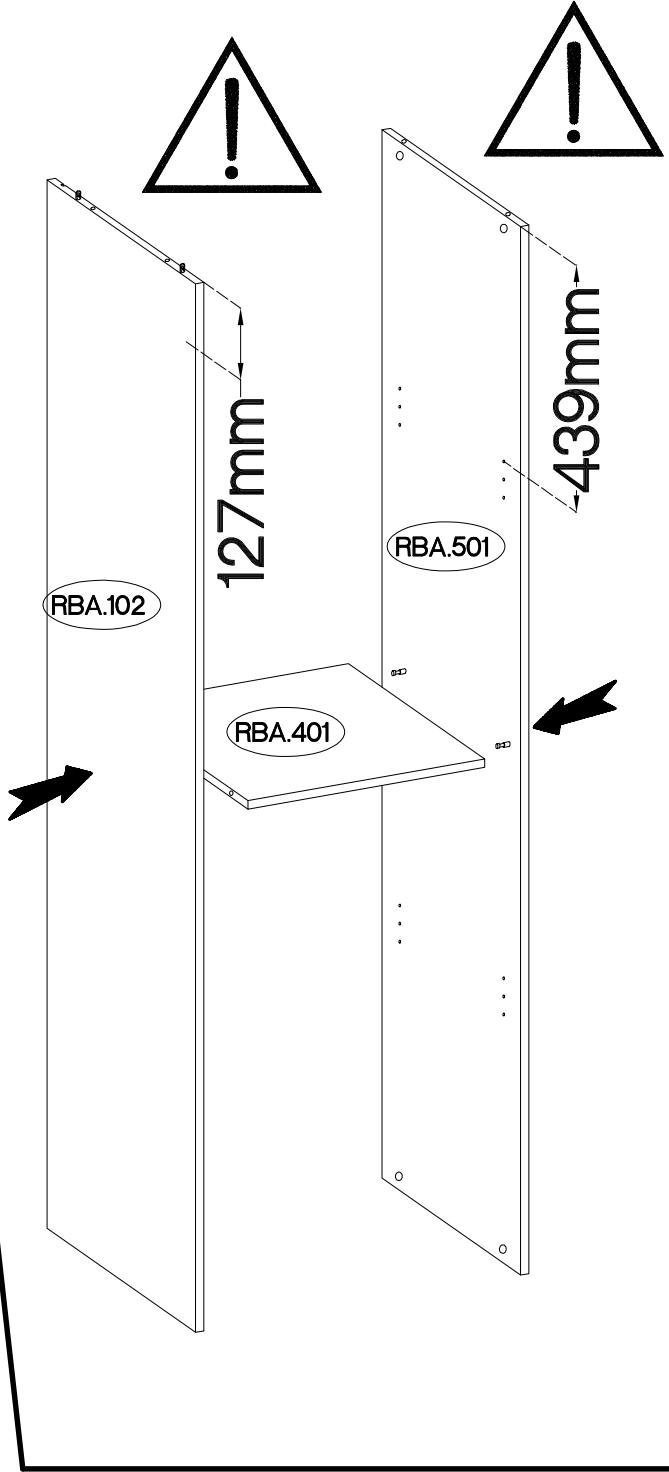
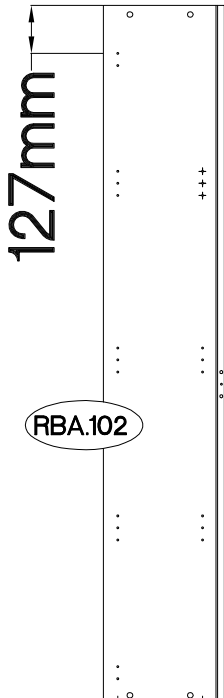
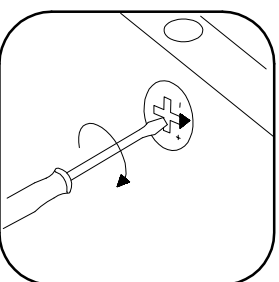
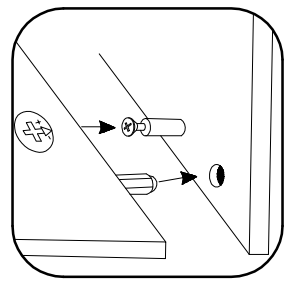
2

| | | | | | | | | |
|--------|----------|---------|----|----|----|-----------|----------|-----------|
| L=20mm | +15/12mm | +8x30mm | | | | +4.0x16mm | +60/20mm | +4.0x25mm |
| | | | | | | | | |
| D2 | C | A | T9 | T4 | T3 | P1 | F10 | P14 |
| 18 | 18 | 12 | 7 | 1 | 1 | 10 | 5 | 5 |

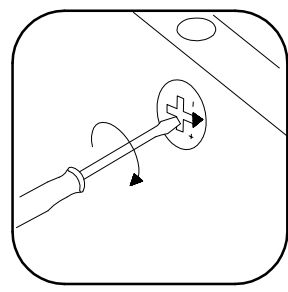
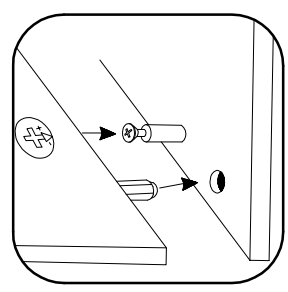
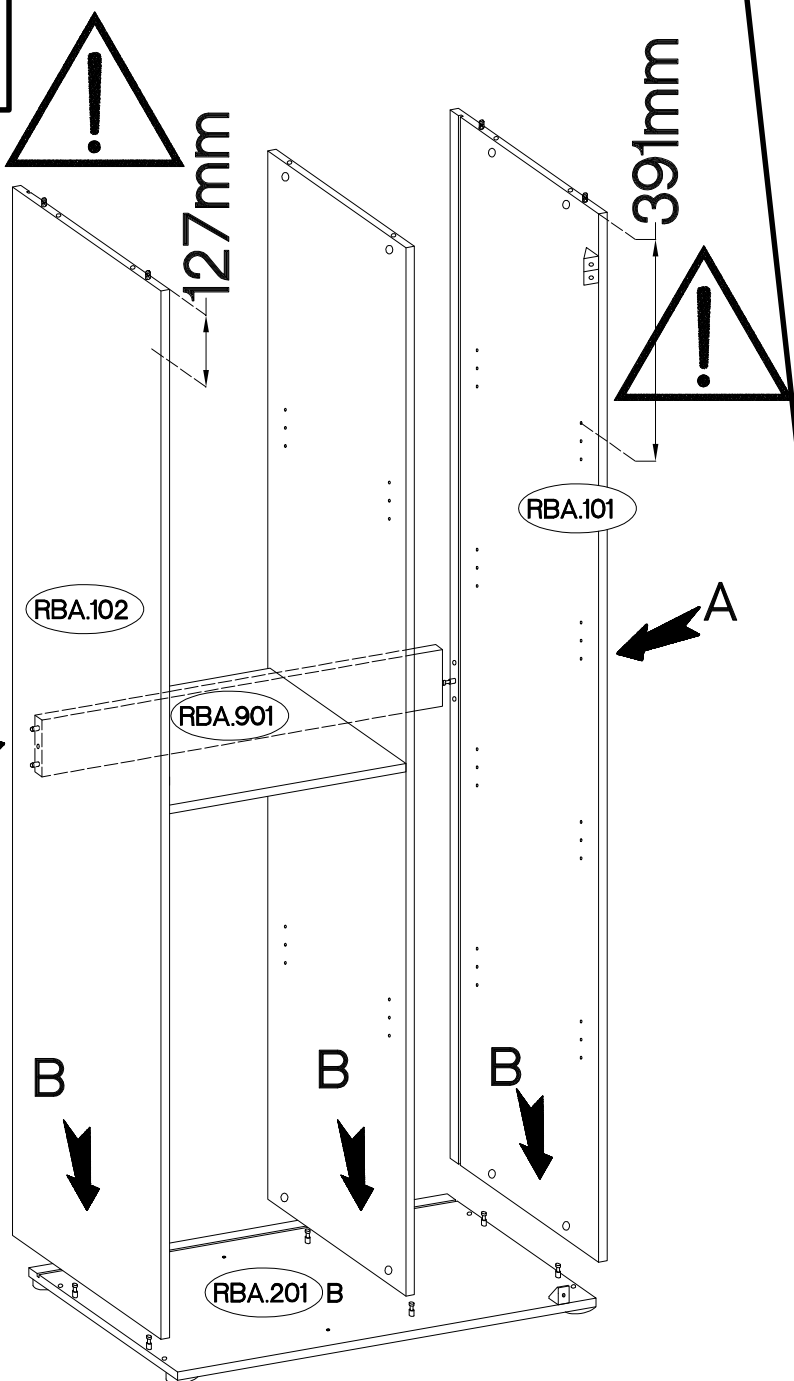




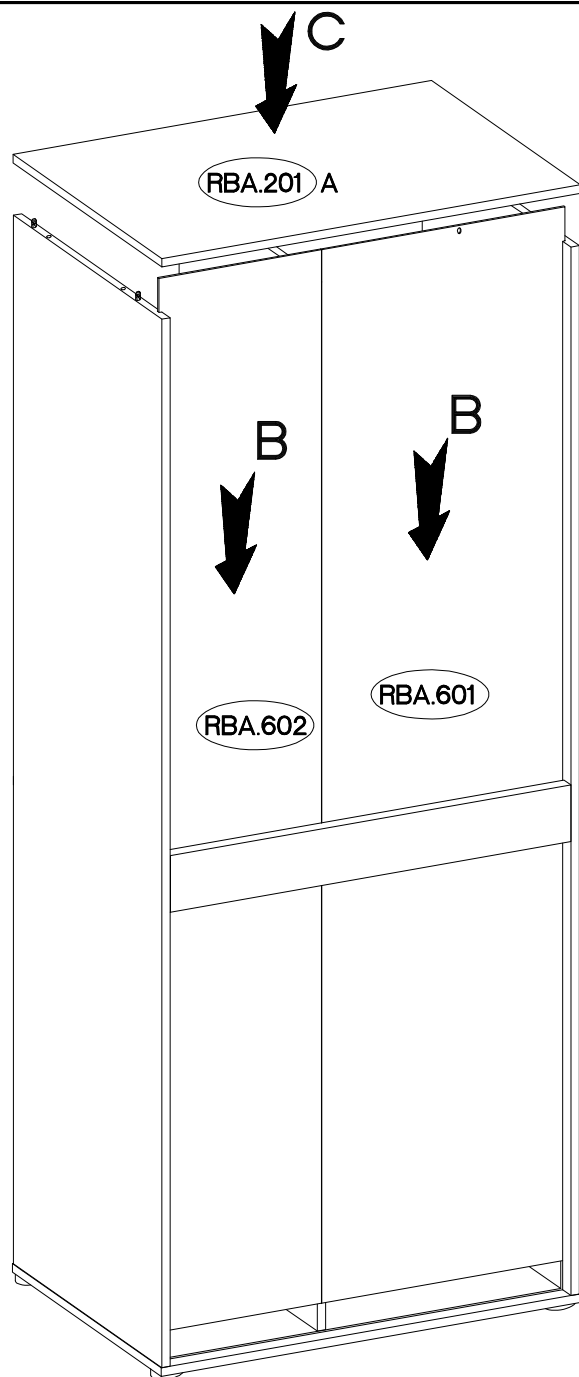
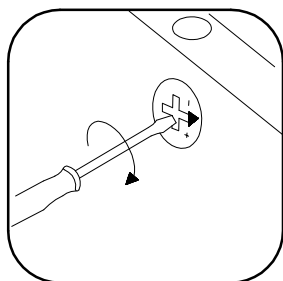
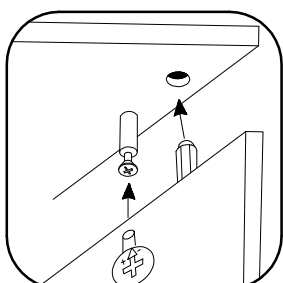
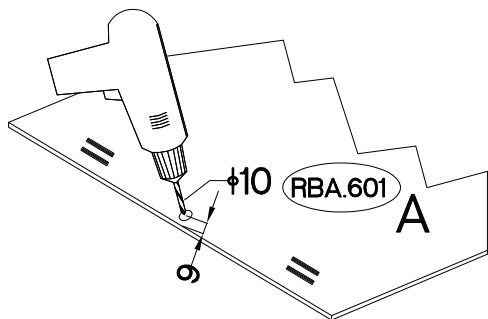
3



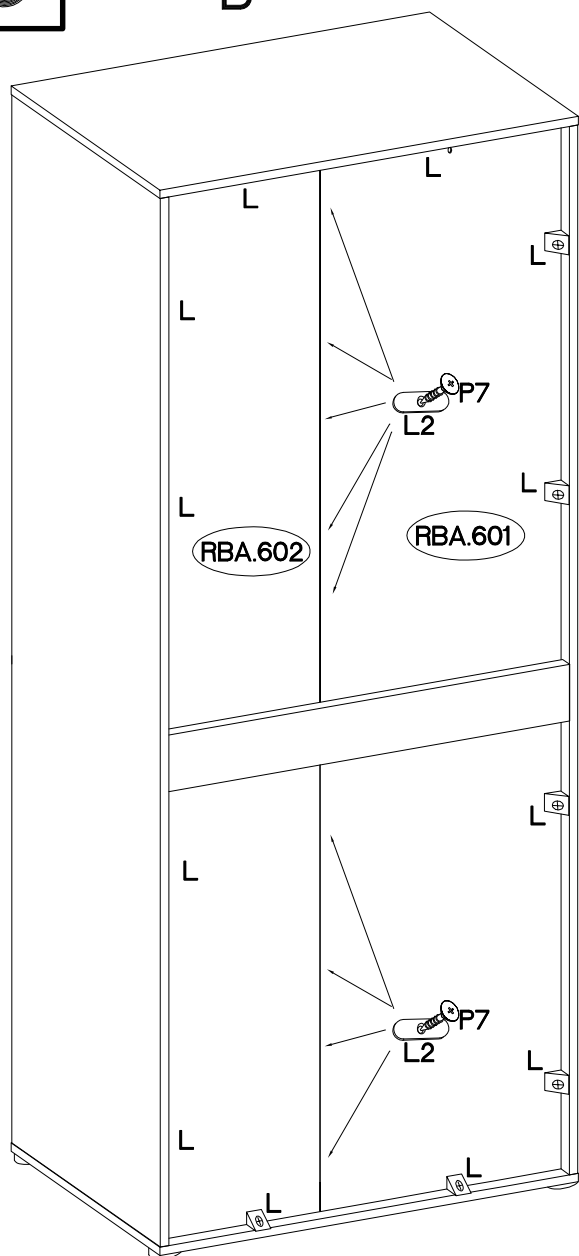
4



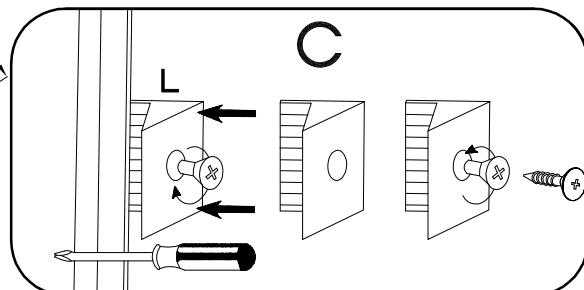
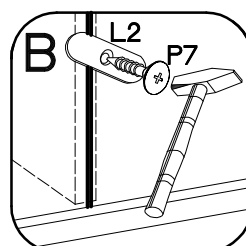
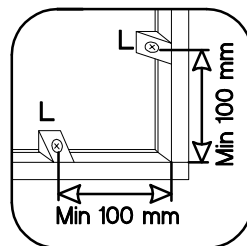
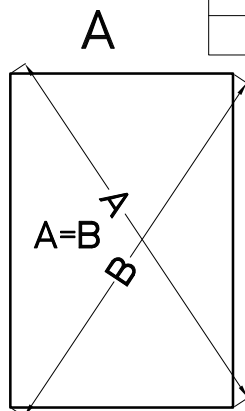
5



6



| +3.0x20mm | | |
|-----------|----|----|
| | | |
| P7 | L2 | L |
| 9 | 9 | 12 |



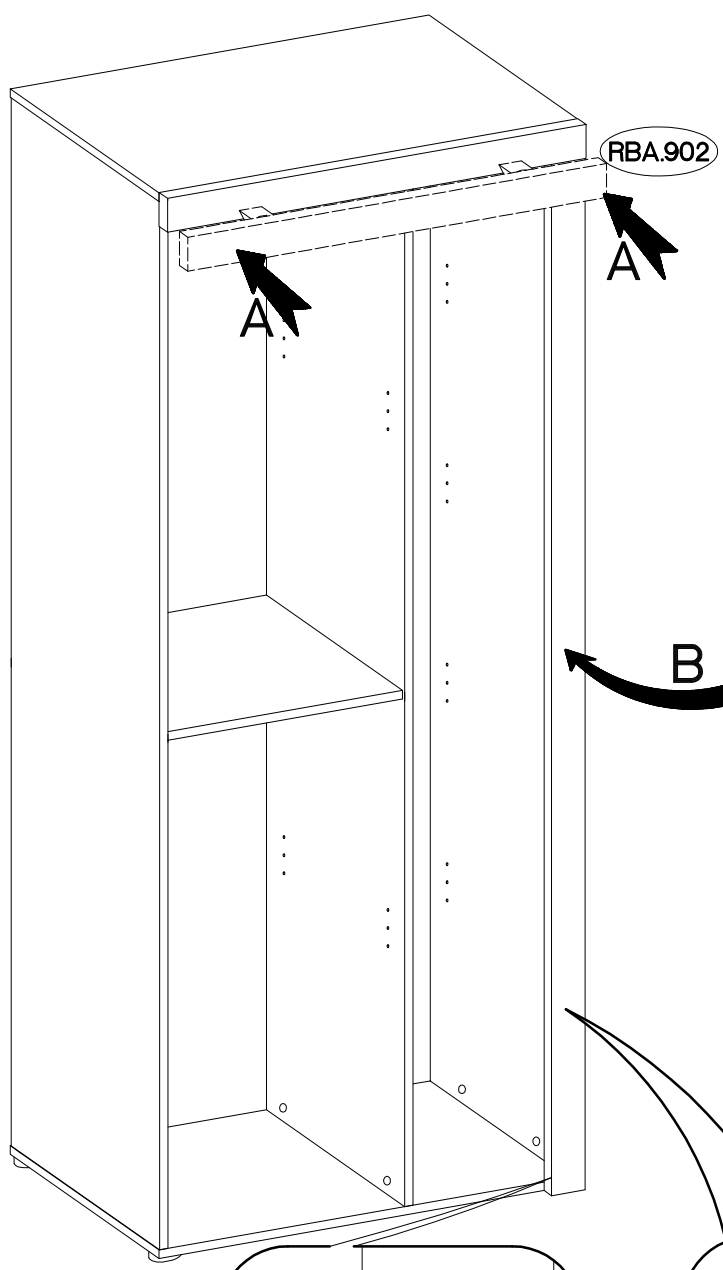
7

±4.0x16mm

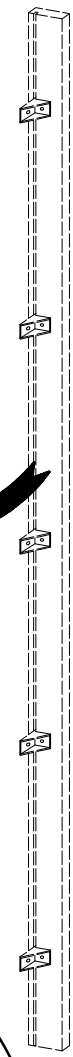
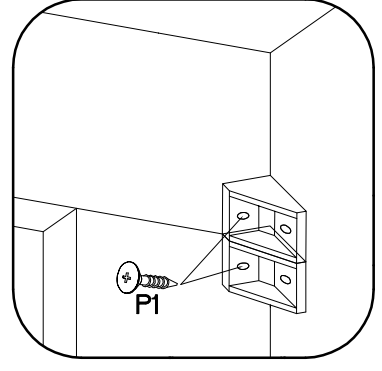


P1

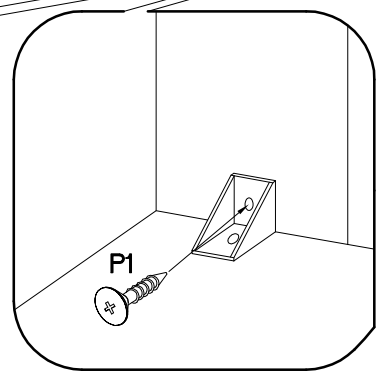
10



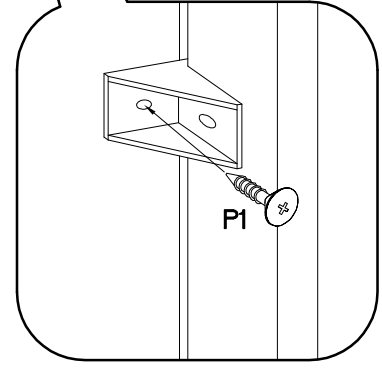
x1



RBA.903



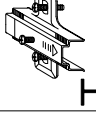
x1



x5

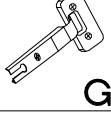
8

H=0



3

±35/0mm

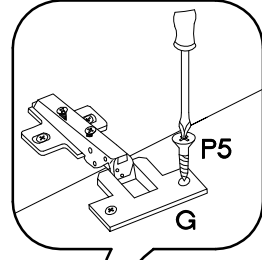


3

±3.5x13mm

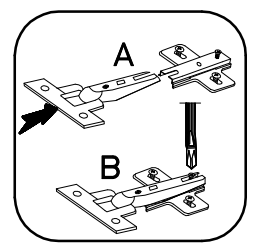


6



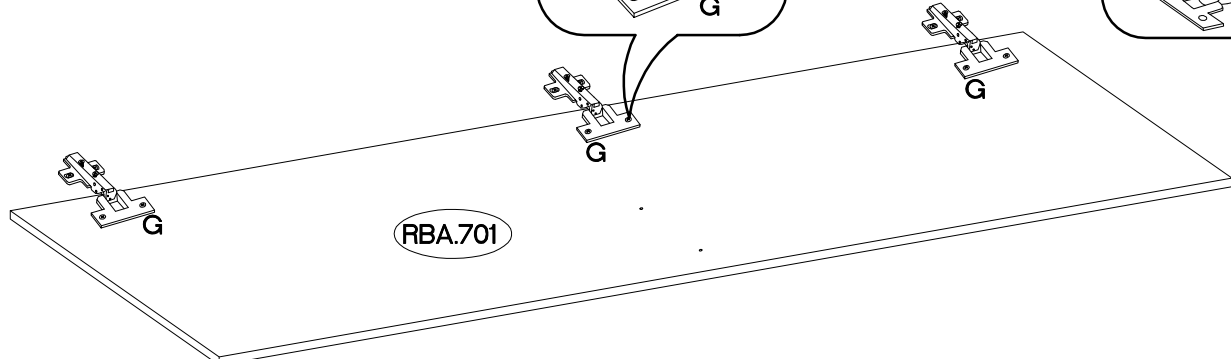
P5

G

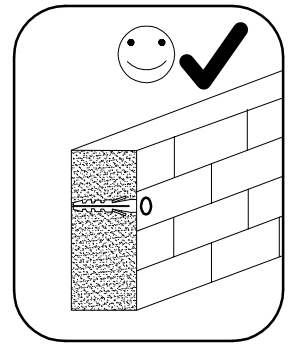
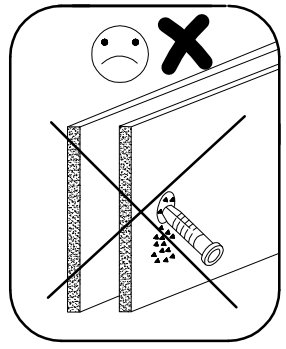
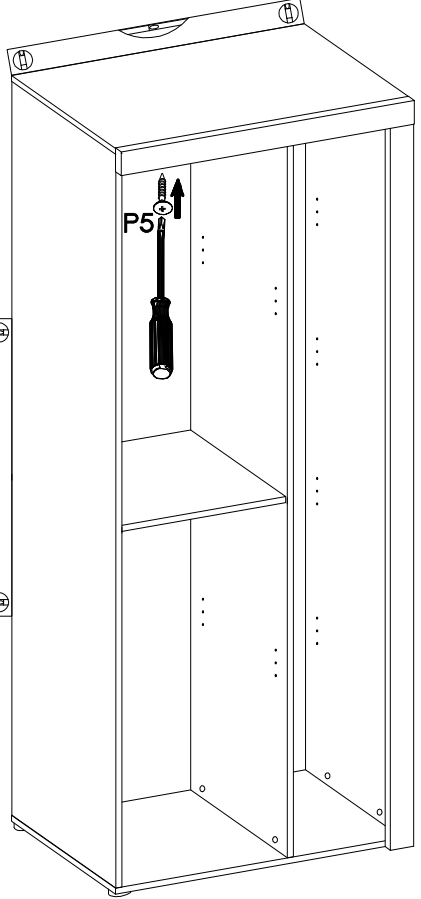
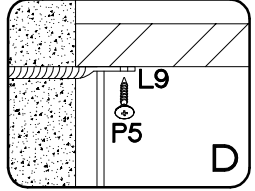
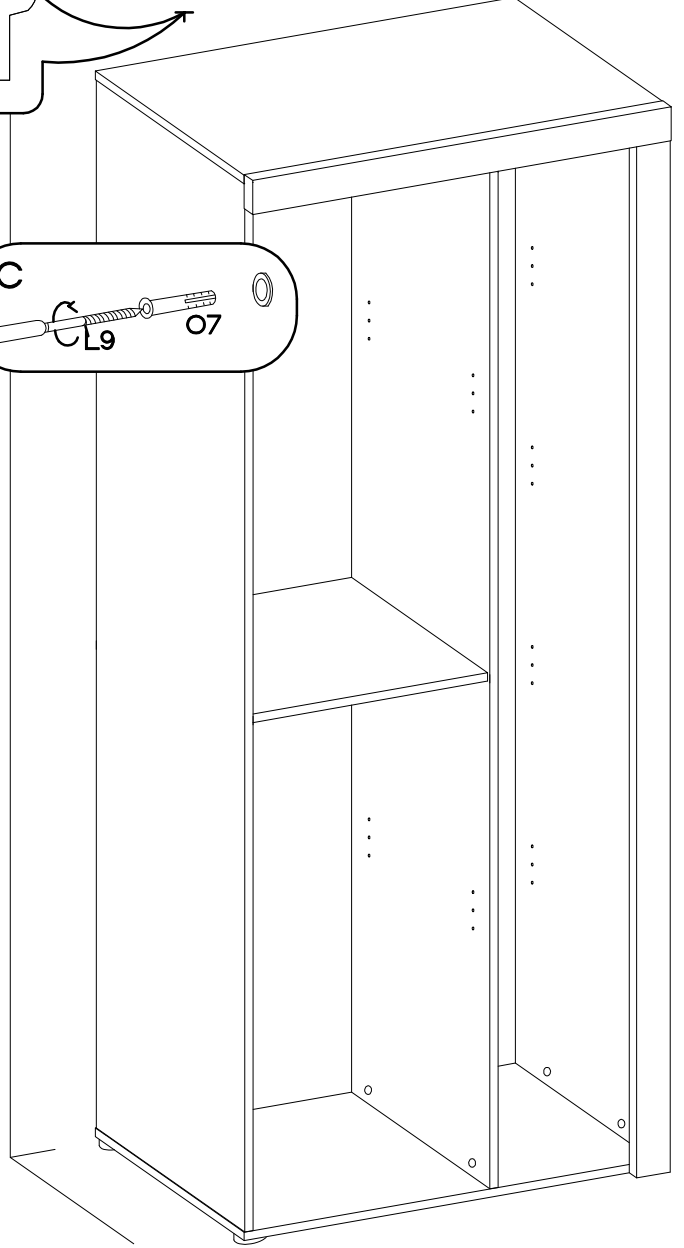
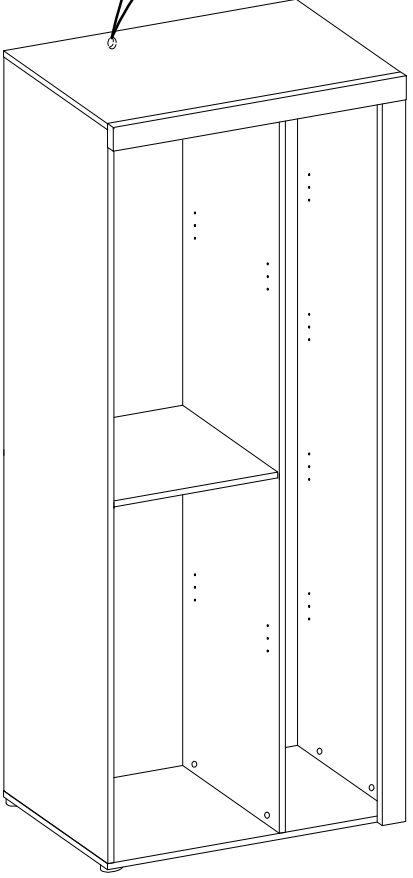
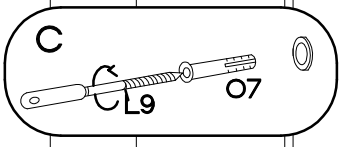
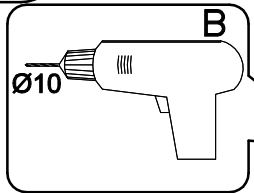
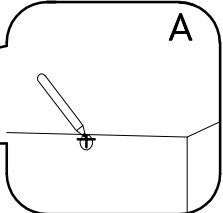


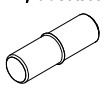

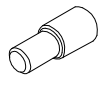

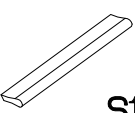
A

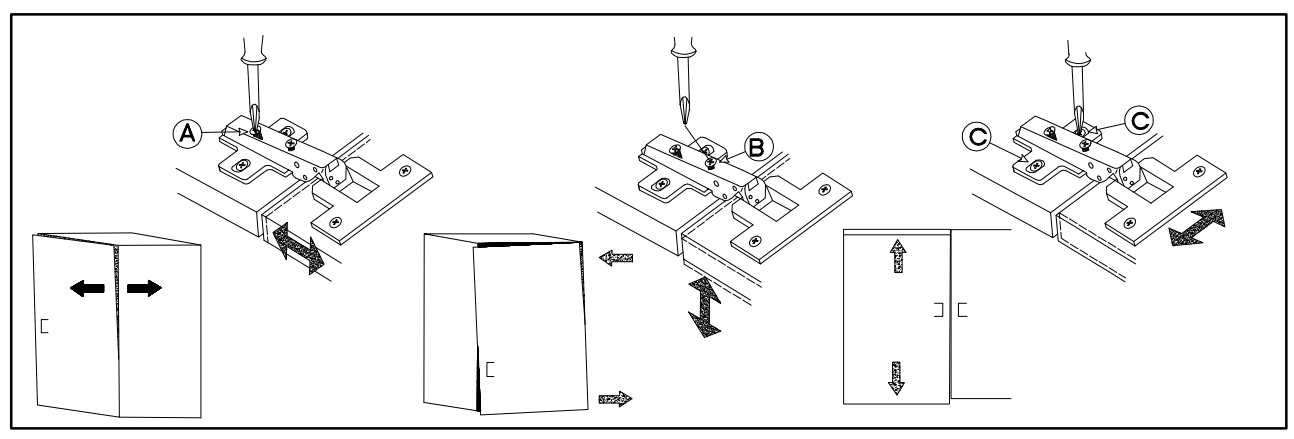
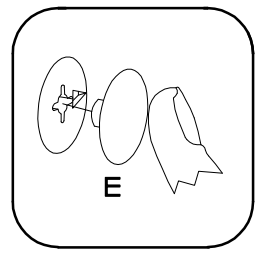
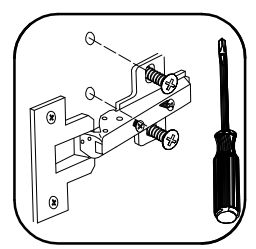
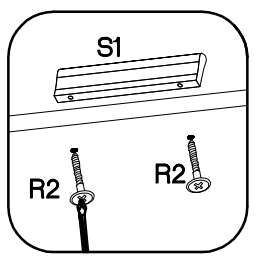
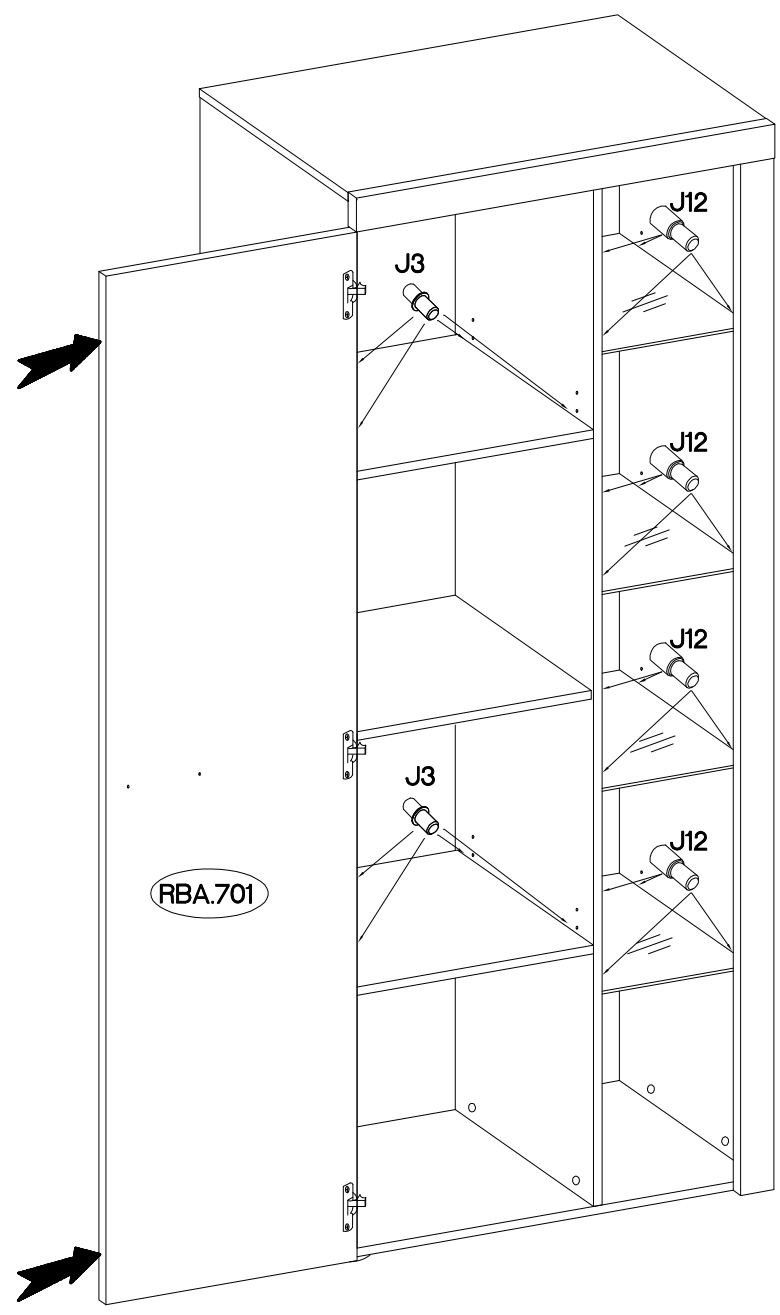
B





RBA.701



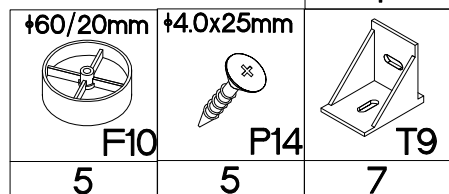
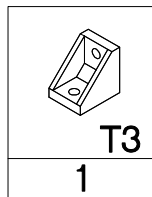
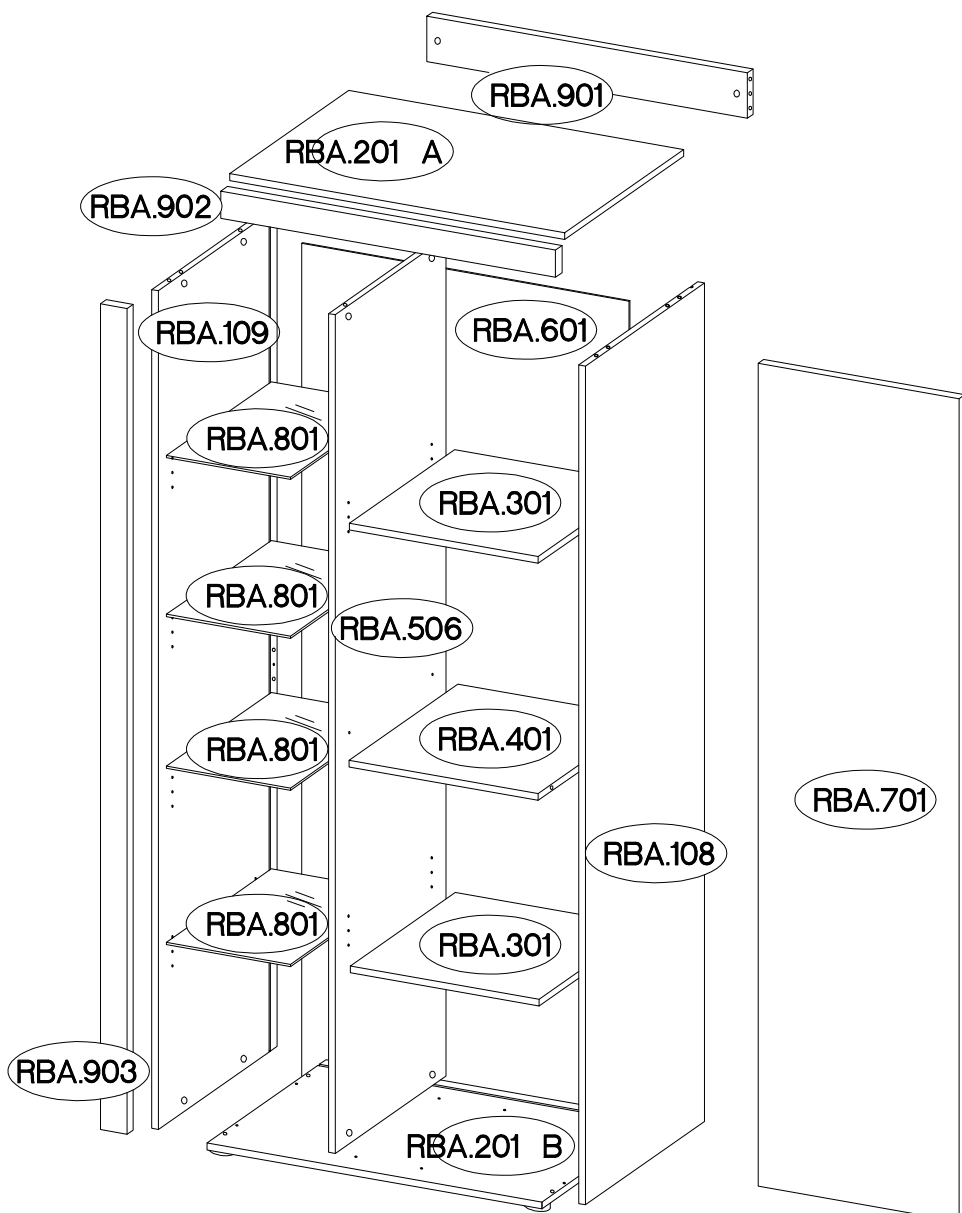
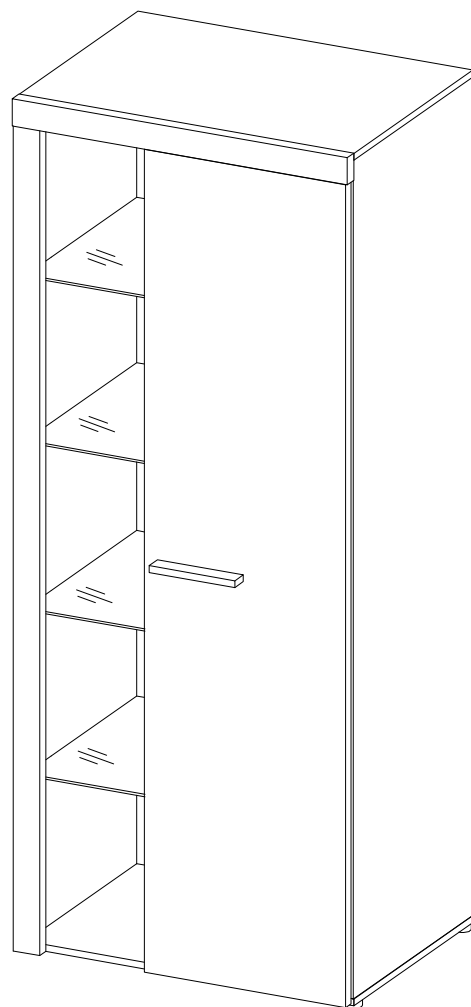
| | | | | |
|--|--|--|--|--|
| ±5/16mm | | | ±4.0x30mm | L=128mm |
|  |  |  |  |  |
| J3 | E | J12 | R2 | S1 |
| 8 | 16 | 16 | 2 | 1 |




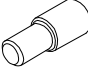

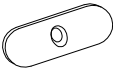

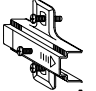
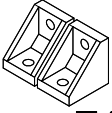


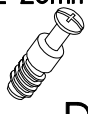
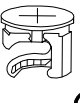
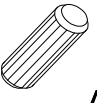
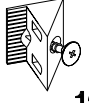
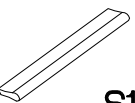
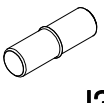
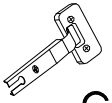


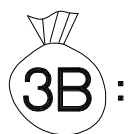
RBA.801 =  max. 2kg

RBA.301 =  max. 5kg

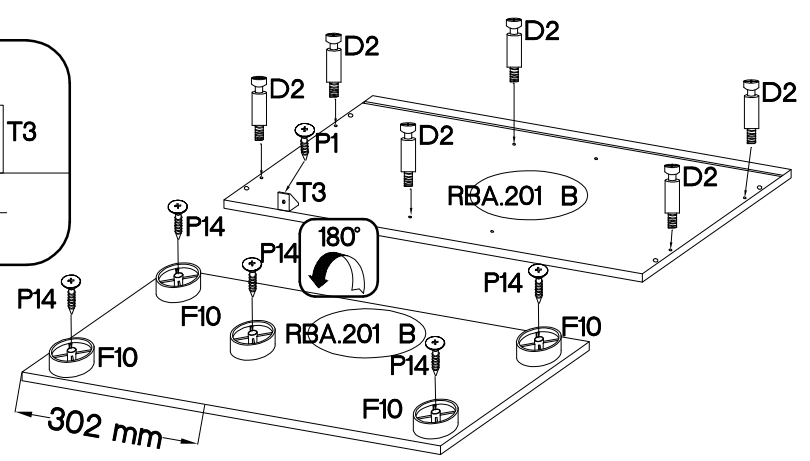
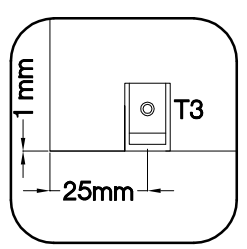
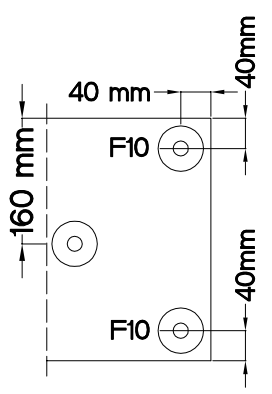
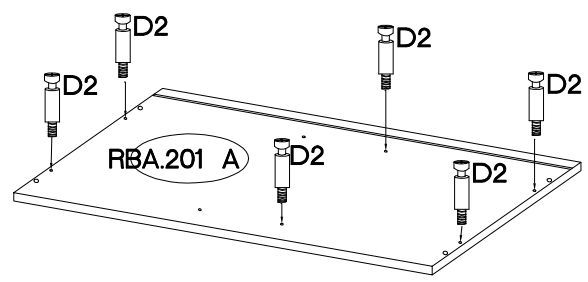
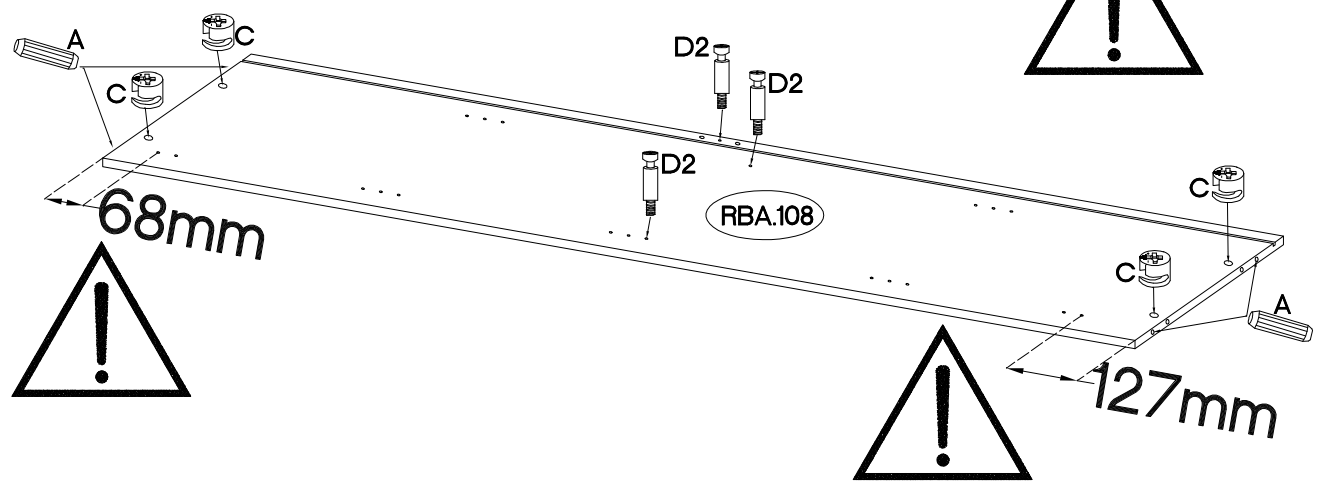
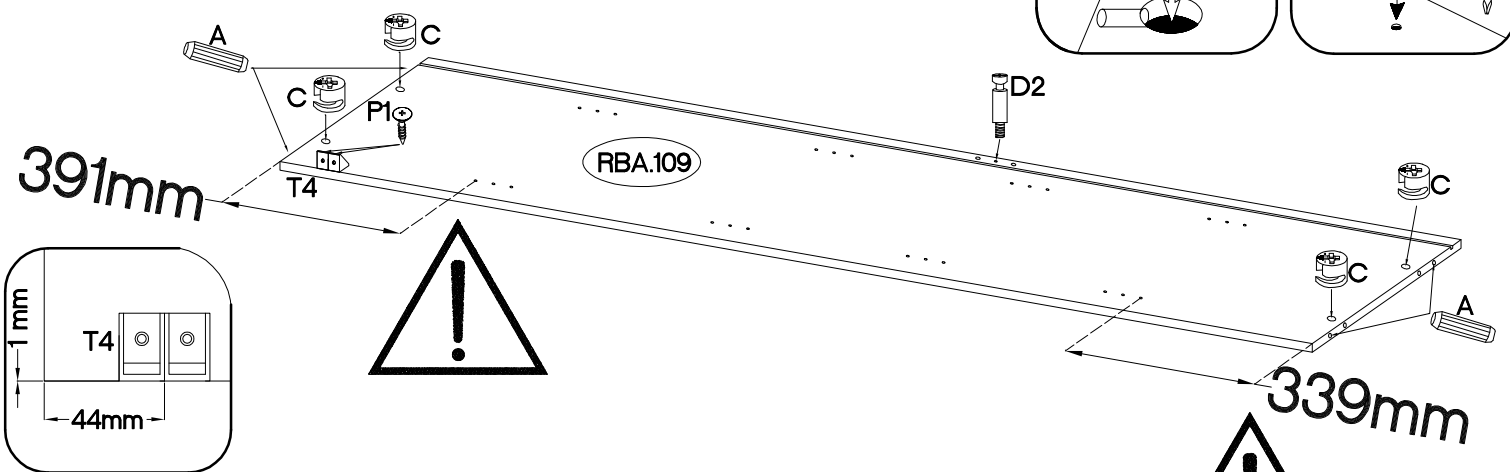
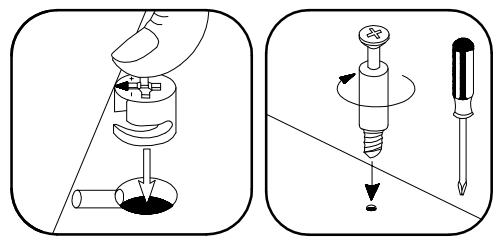
RBA.401

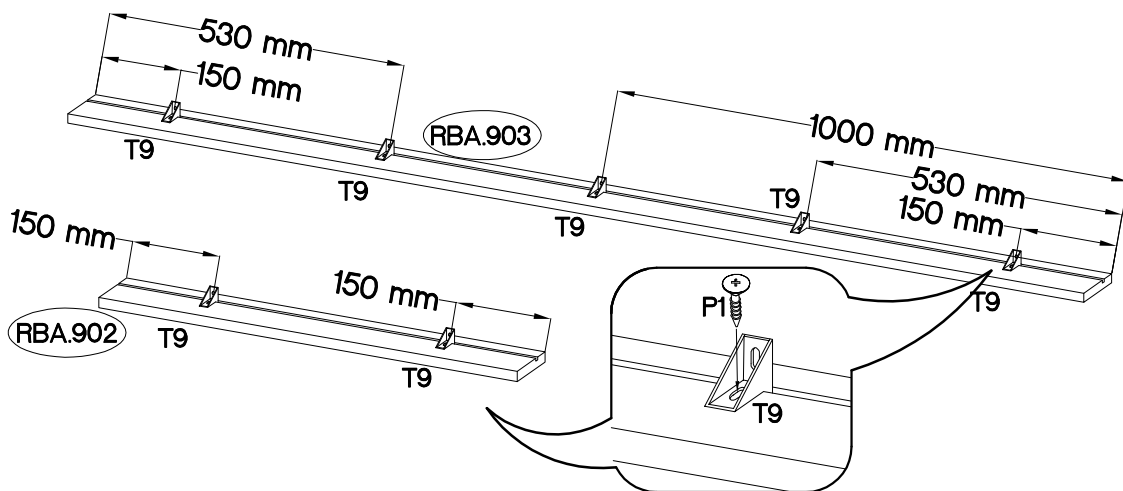
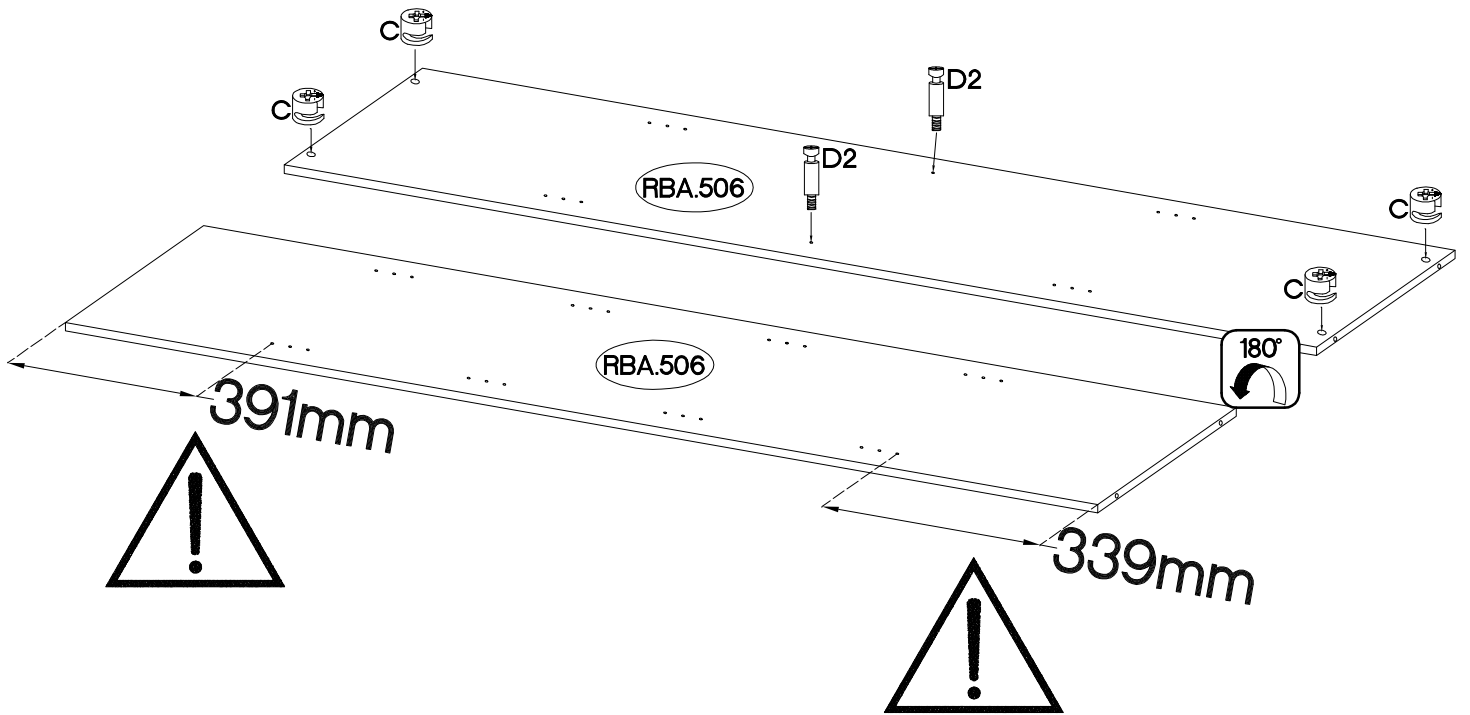
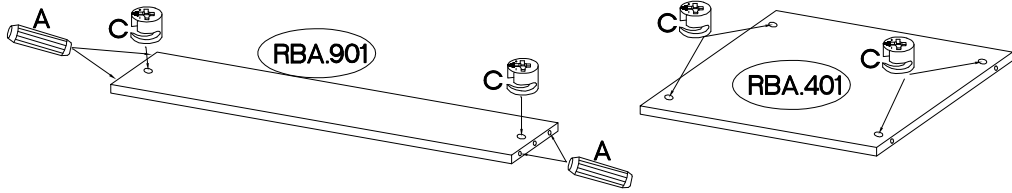
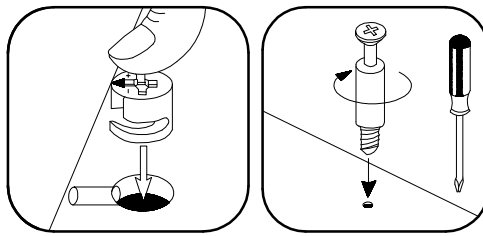


| | | | | | | | | |
|--|--|---|--|--|--|--|--|---|
| +10x50mm  O7 |  L9 |  E |  J12 | +3.5x13mm  P5 |  L2 | +4.0x16mm  P1 | H=0  H |  T4 |
| 1 | 1 | 16 | 16 | 7 | 10 | 20 | 3 | 1 |
| +4.0x30mm  R2 | +3.0x20mm  P7 | L=20mm  D2 | +15/12mm  C | +8x30mm  A |  12 | L=128mm  S1 | +5/16mm  J3 | +35/0mm  G |
| 2 | 10 | 18 | 18 | 12 | 12 | 1 | 8 | 3 |

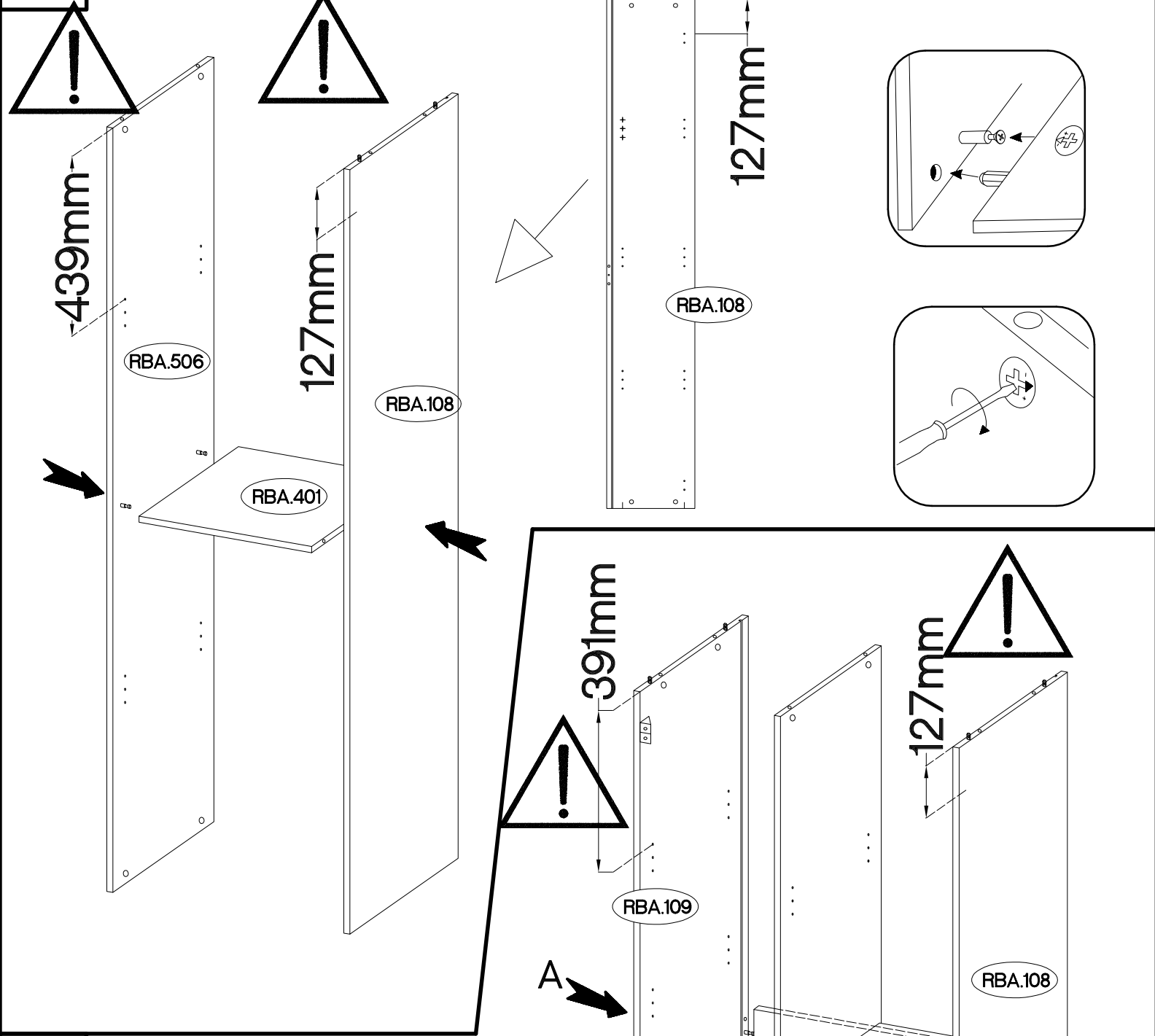


| | | | | | | | | |
|--------|----------|---------|----|----|----|-----------|----------|-----------|
| L=20mm | +15/12mm | +8x30mm | | | | +4.0x16mm | +60/20mm | +4.0x25mm |
| | | | | | | | | |
| D2 | C | A | T9 | T4 | T3 | P1 | F10 | P14 |
| 18 | 18 | 12 | 7 | 1 | 1 | 10 | 5 | 5 |

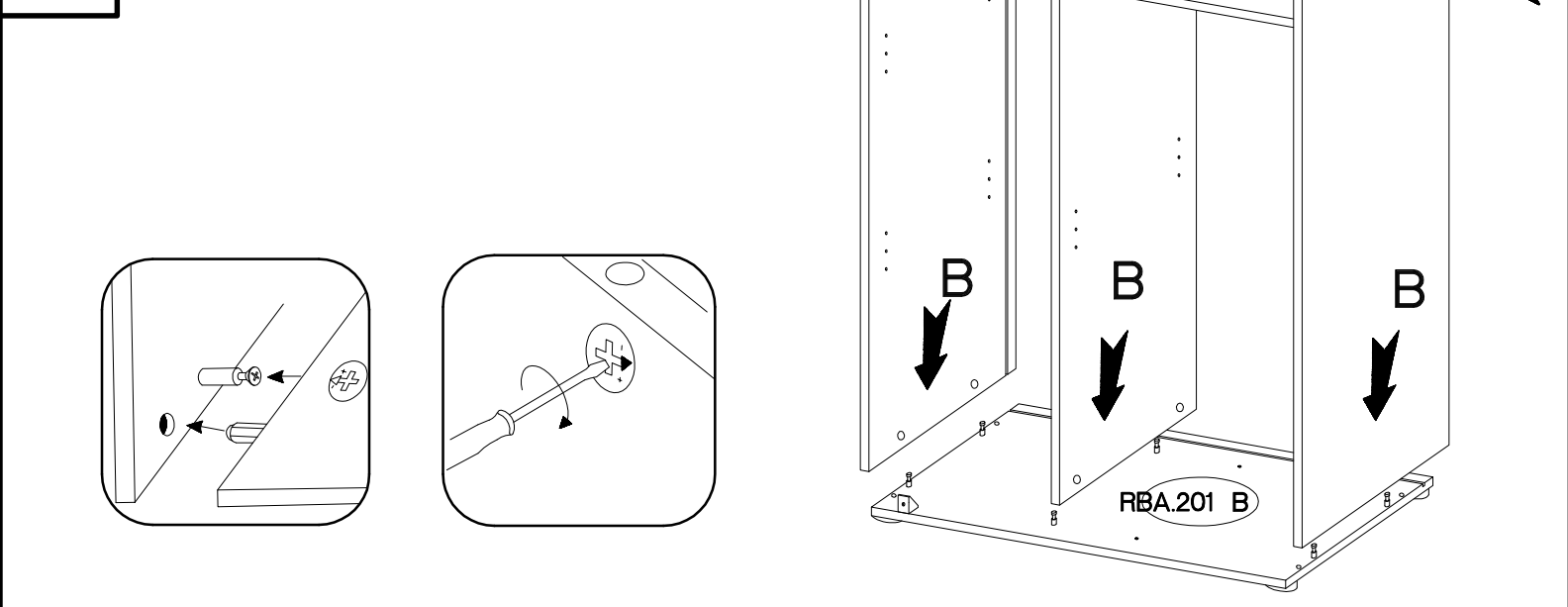




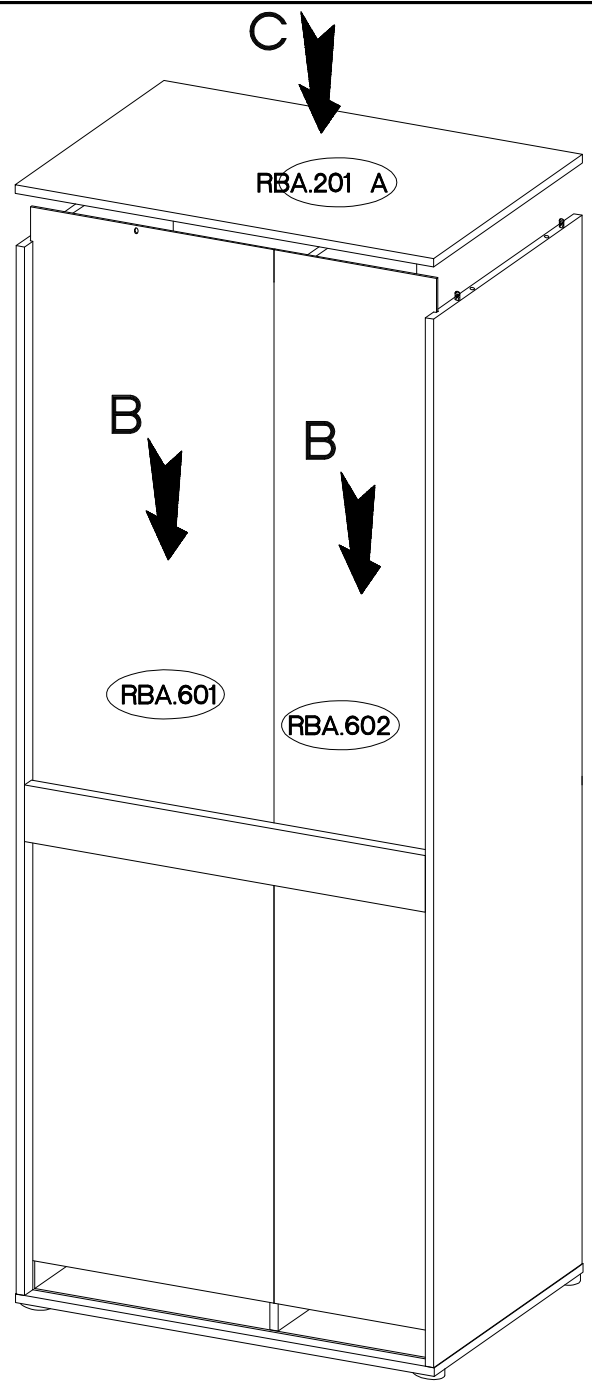
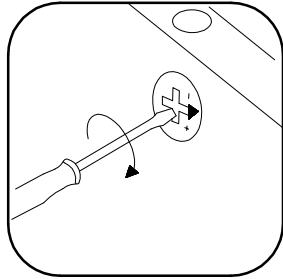
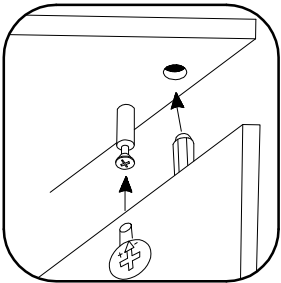
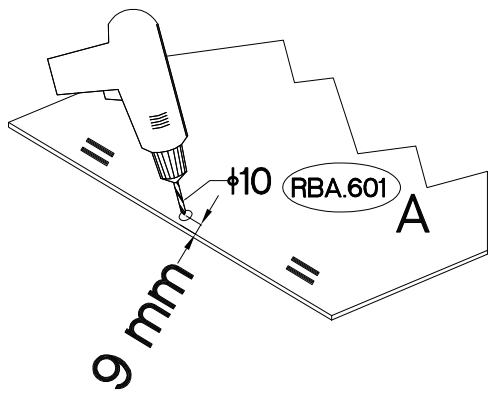
13



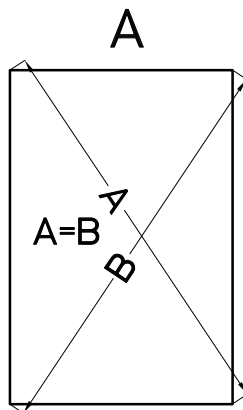
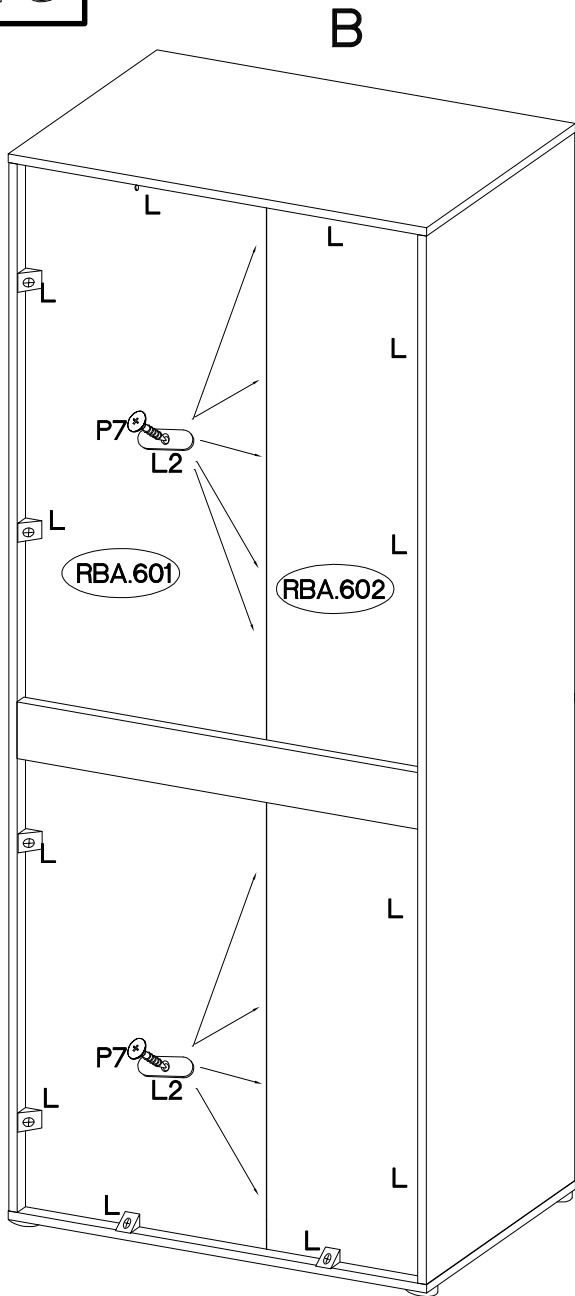
14



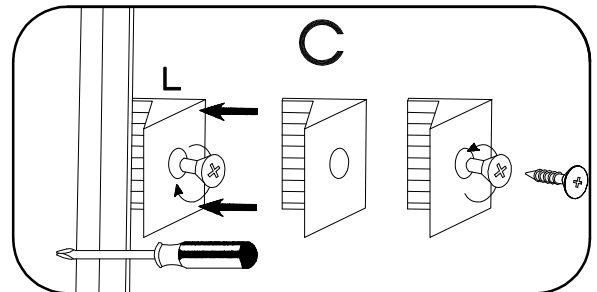
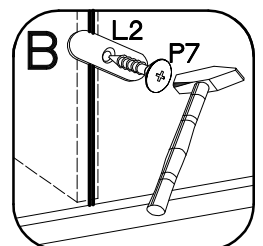
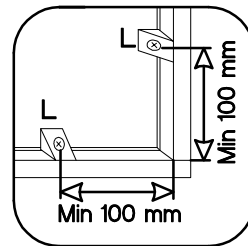
15



16

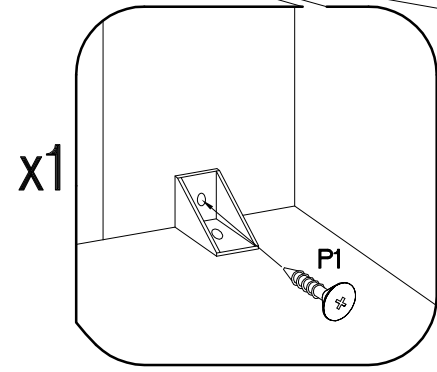
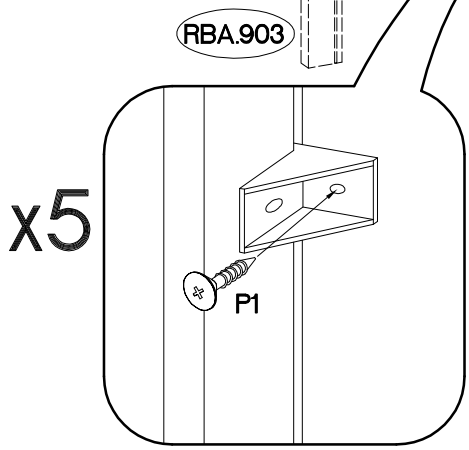
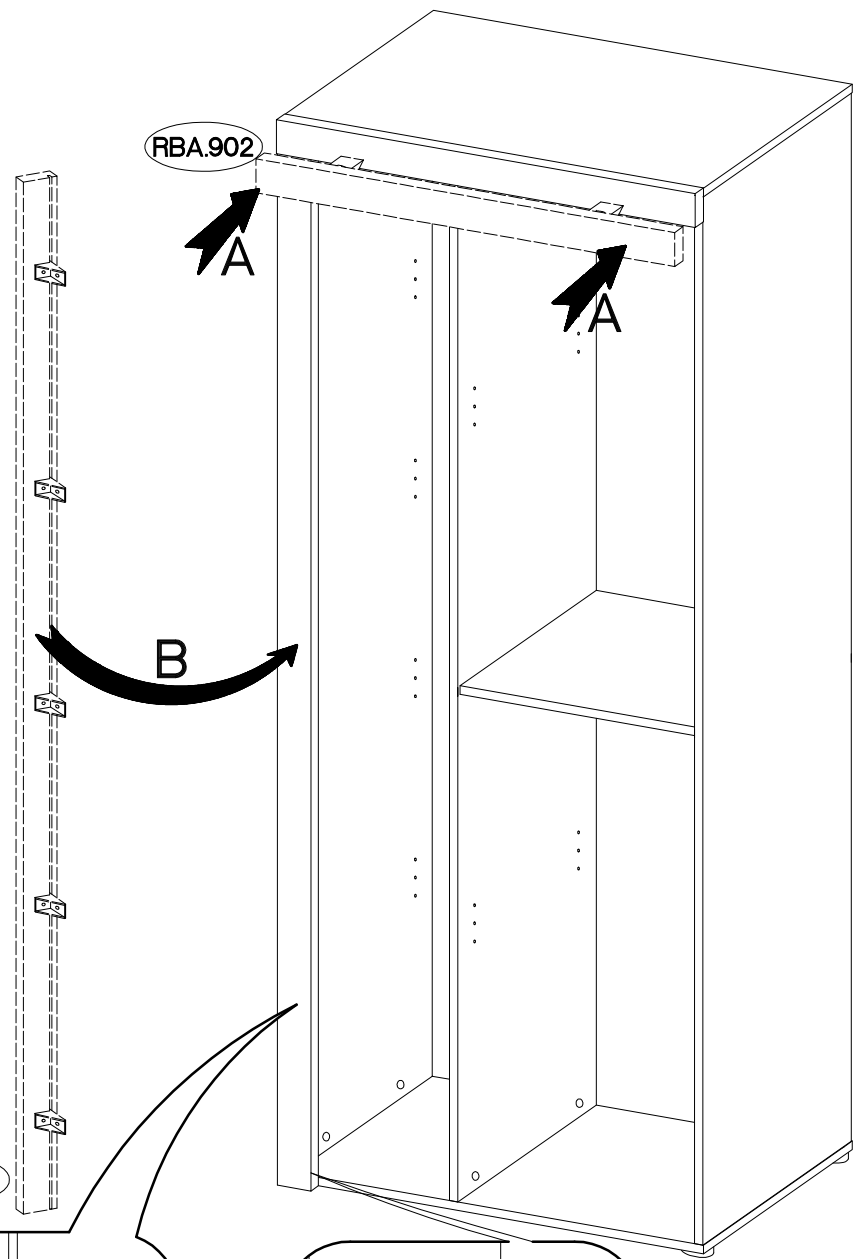
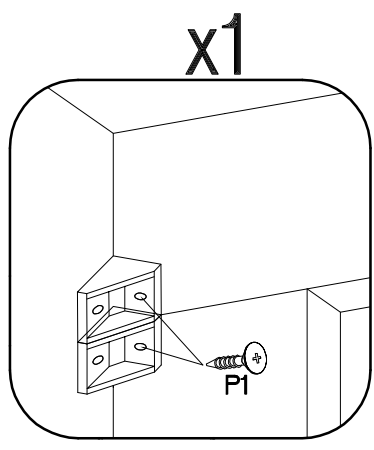


| | | |
|-------------|-------------|-------------|
| P7 9 | L2 9 | L 12 |
|-------------|-------------|-------------|

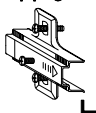
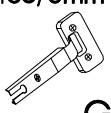



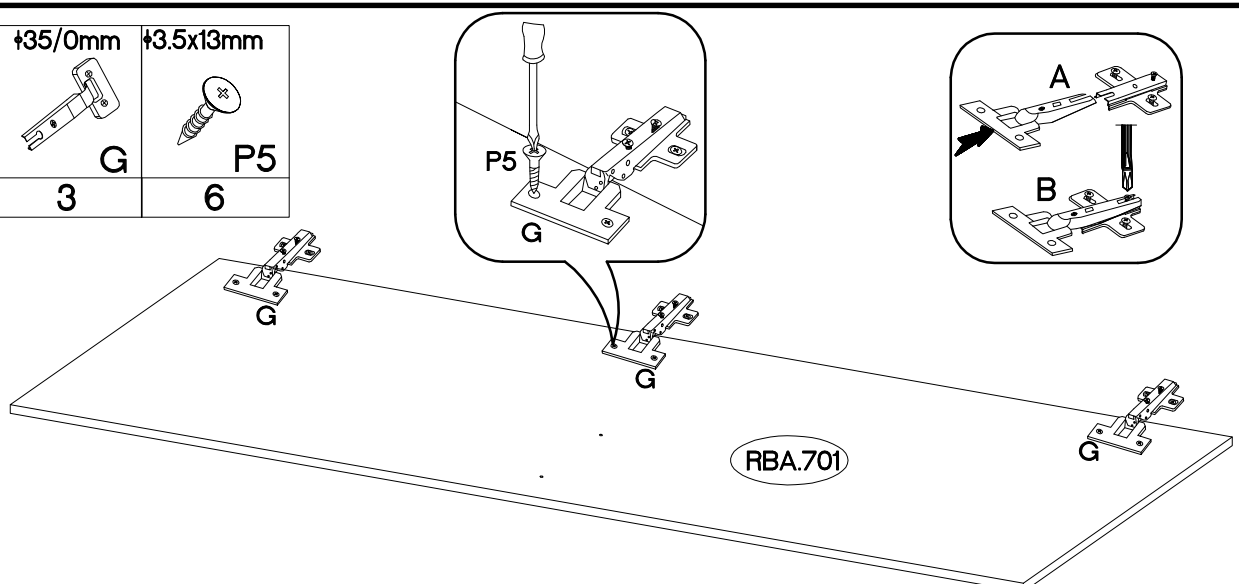
17

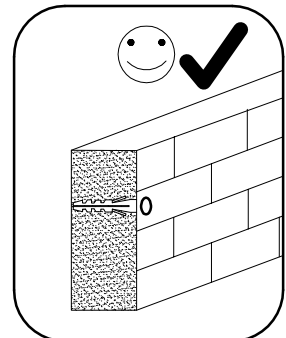
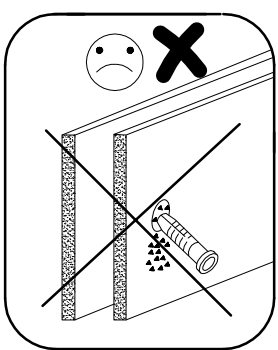
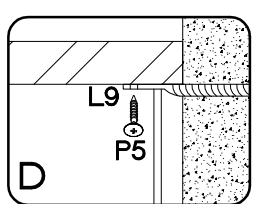
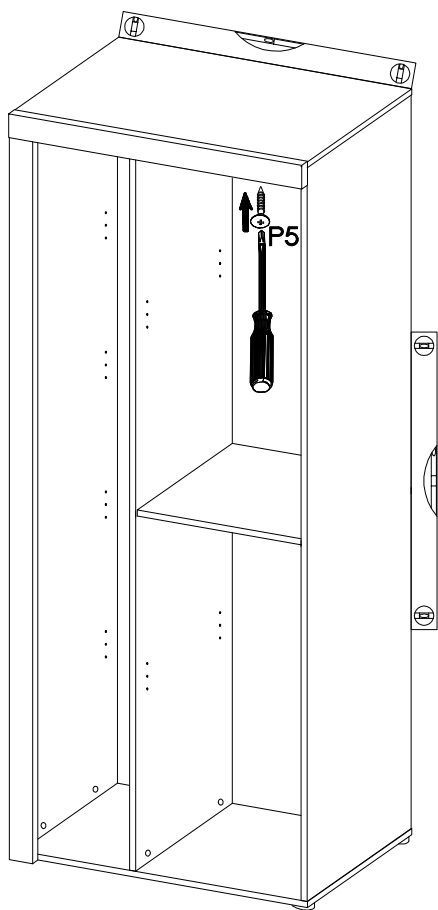
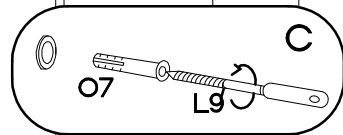
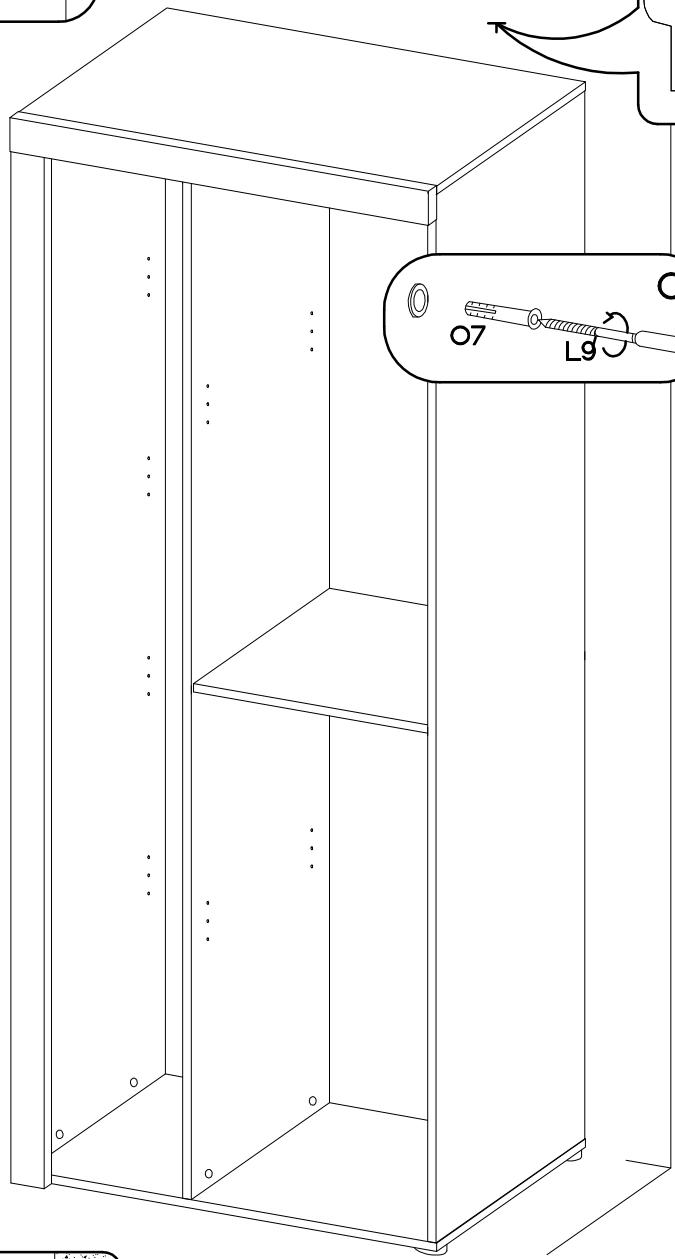
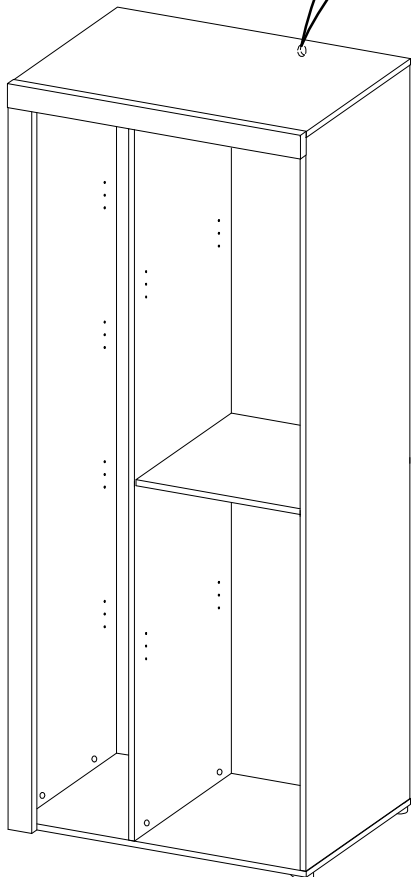
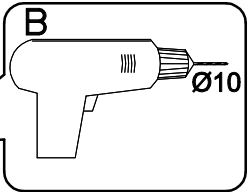
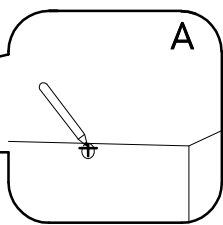
4.0x16mm
P1
10



18

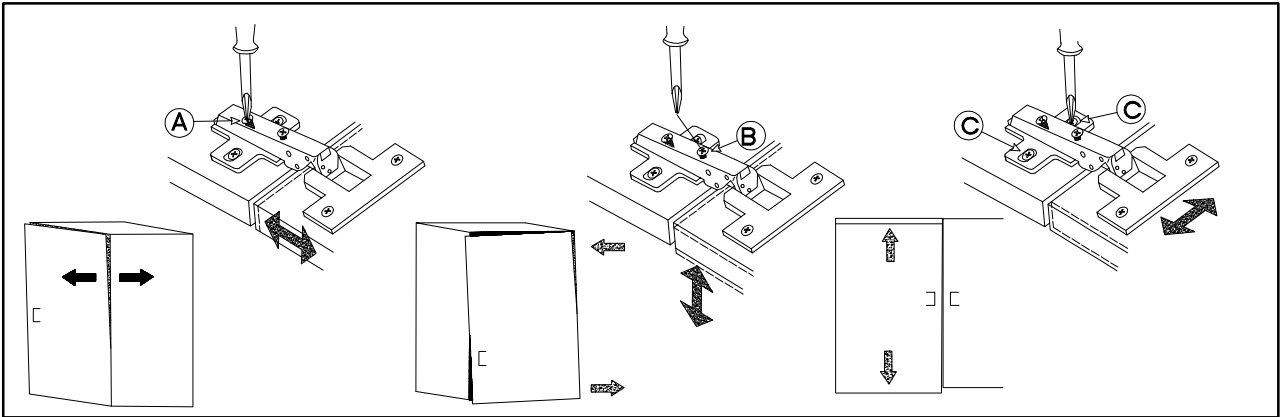
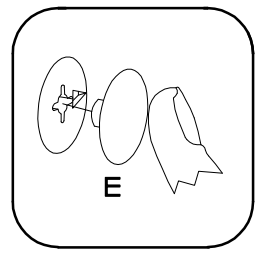
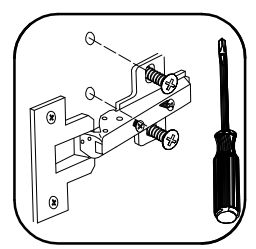
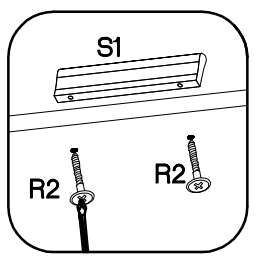
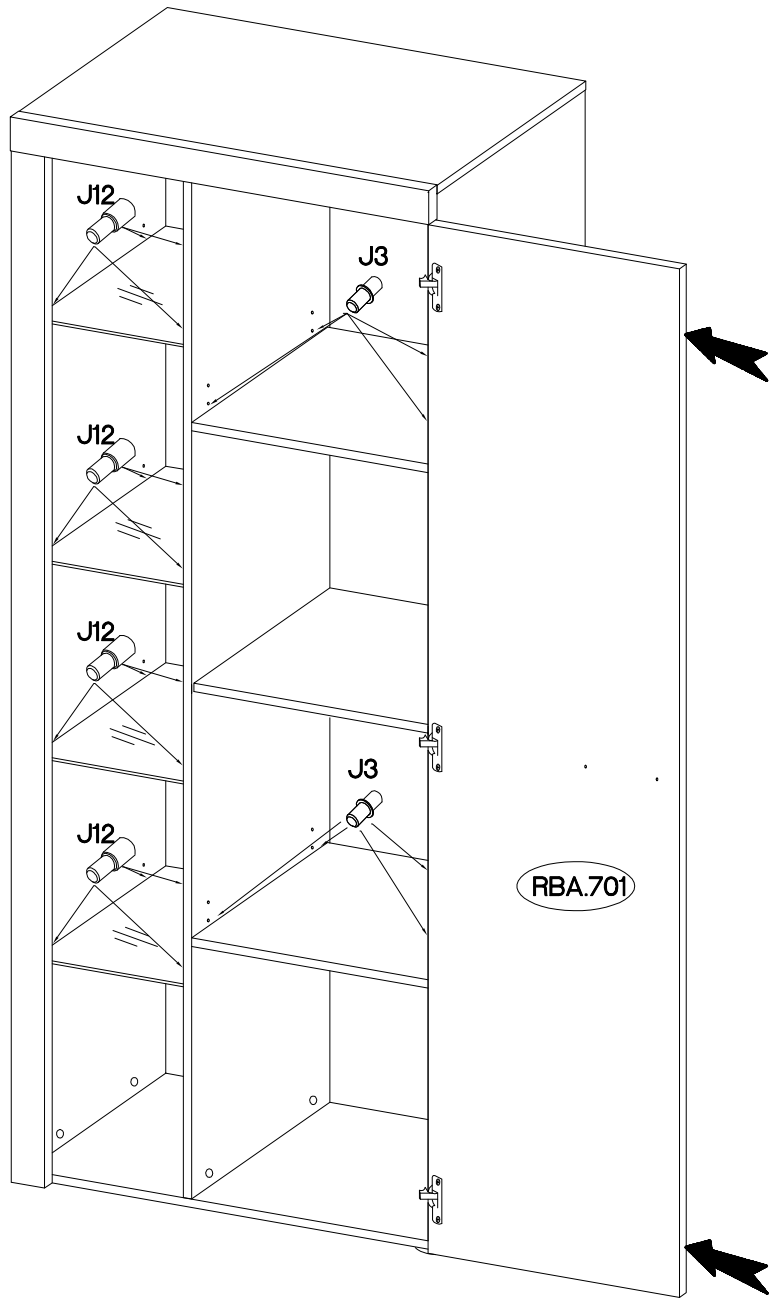
| | | |
|---|---|--|
| H=0  H | +35/0mm  G | +3.5x13mm  P5 |
| 3 | 3 | 6 |

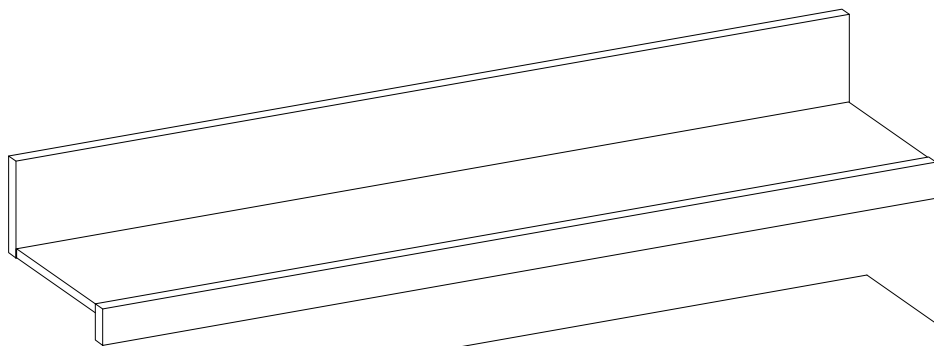






| | | |
|------------------------------------|------------------------------|-------------------------------------|
| <p>†10x50mm</p> <p>Ø7</p> <p>1</p> | <p>L9</p> <p>L9</p> <p>1</p> | <p>†3.5x13mm</p> <p>P5</p> <p>1</p> |
|------------------------------------|------------------------------|-------------------------------------|

| | | | | |
|---------------|----|-----|------------------------|---------|
| $\pm 5/16$ mm | | | $\pm 4.0 \times 30$ mm | L=128mm |
| J3 | E | J12 | R2 | S1 |
| 8 | 16 | 16 | 2 | 1 |

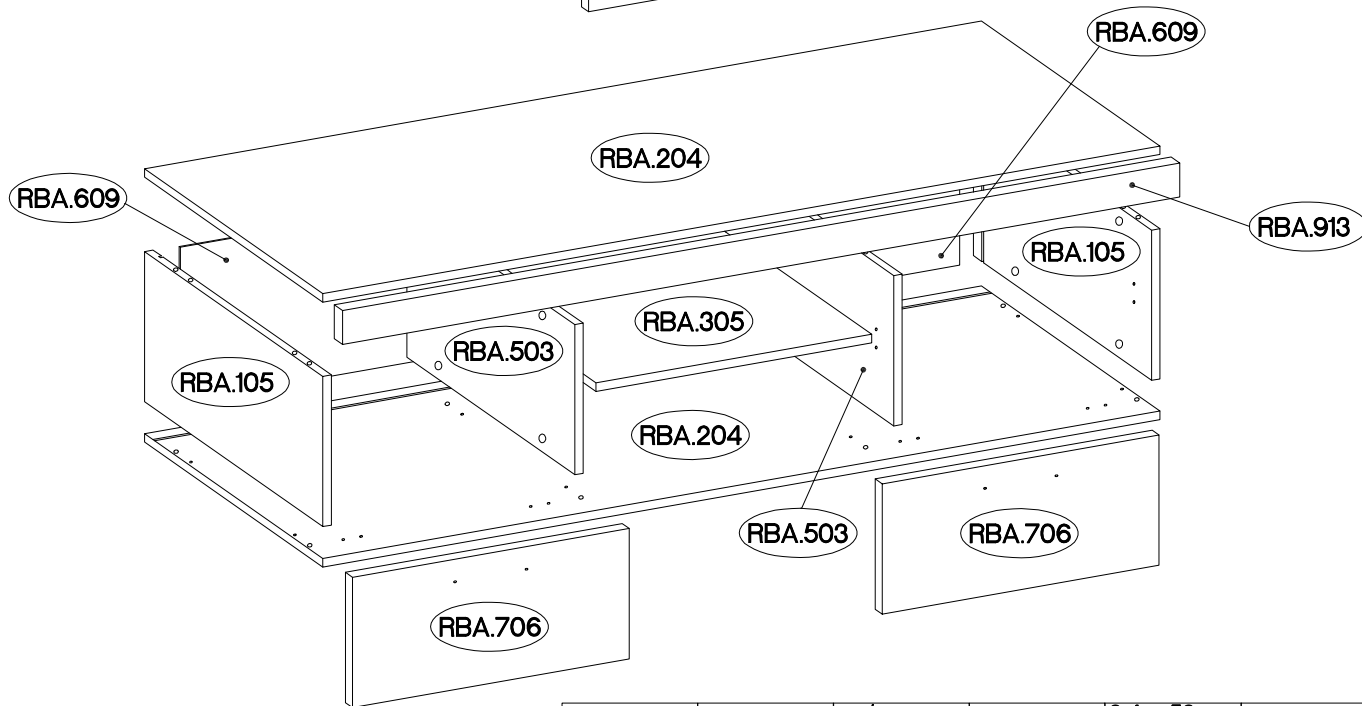
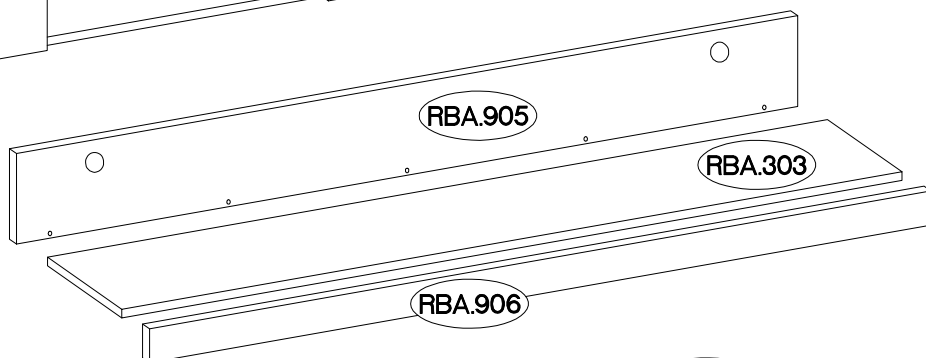
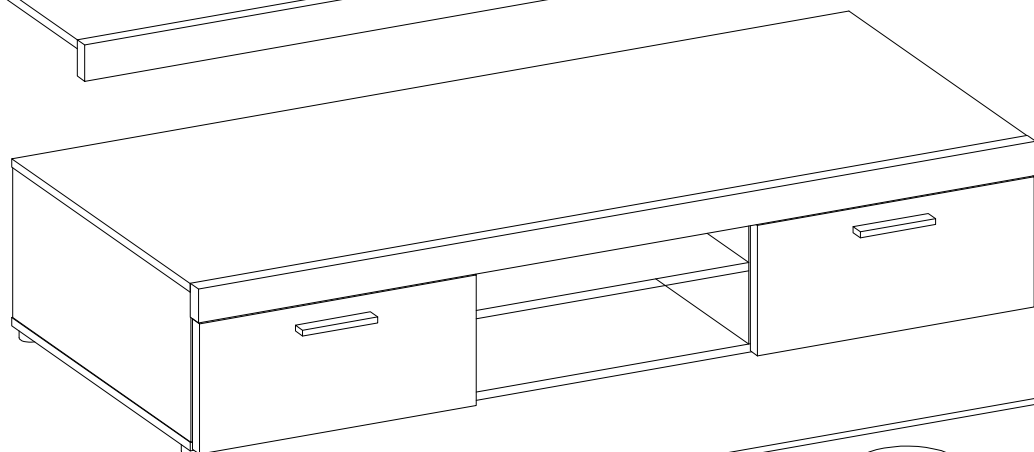






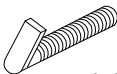


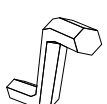






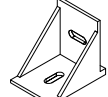




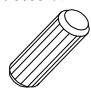
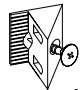
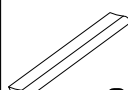

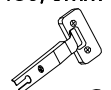
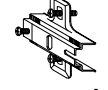


RBA.303 =  max. 2kg

RBA.204 =  max. 15kg





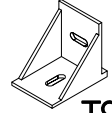
RBA.305

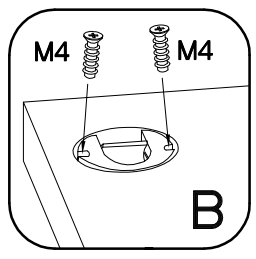
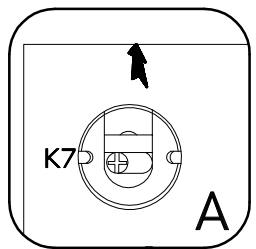
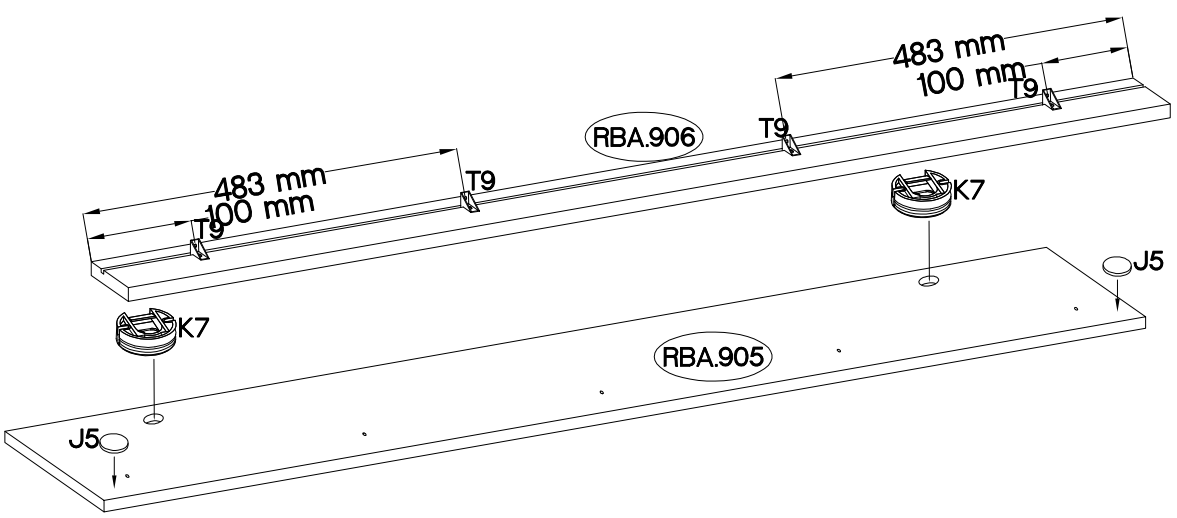
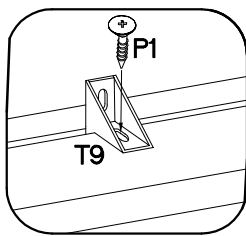


 1B :


| | | | | | | | | | |
|---|--|---|--|--|--|--|--|--|---|
| |  +6,3x9mm M4 4 |  K7 2 |  5/45mm O3 2 |  +10x50mm O7 2 |  6,4 x 50mm B 5 |  O 1 |  +7/2mm J5 2 | | |
| |  J1 4 |  +3.0x20mm P7 4 |  +3.0x16mm K13 2 |  +4.0x16mm P11 6 |  +4.0x16mm P1 18 |  T9 9 |  E 16 |  +4.0x25mm P14 6 | |
|  L=20mm D2 16 |  +15/12mm C 16 |  +8x30mm A 16 |  L 10 |  L=128mm S1 2 |  +4.0x30mm R2 4 |  +35/0mm G 4 |  H 4 |  +3.5x13mm P5 14 |  +60/20mm F10 6 |

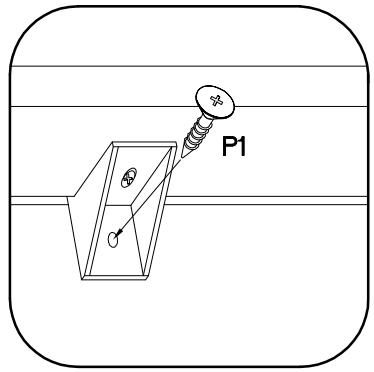
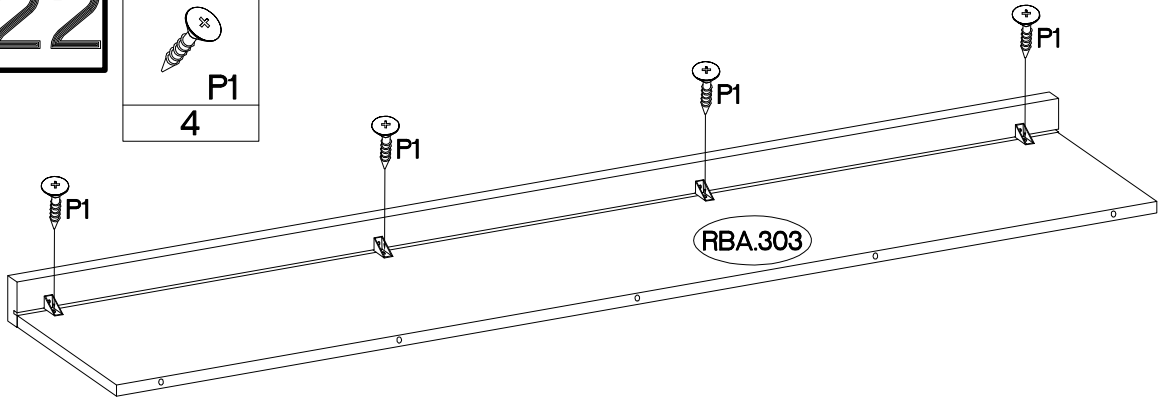
21

| | | | | |
|---|---|---|--|---|
| ±6.3x9mm  M4 4 |  K7 2 | ±7/2mm  J5 2 | ±4.0x16mm  P1 4 |  T9 4 |
|---|---|---|--|---|


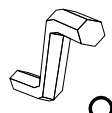


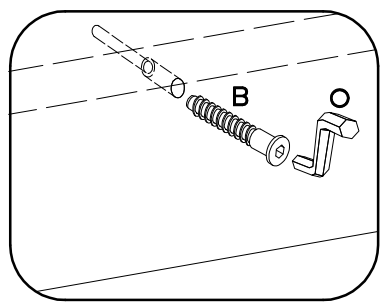
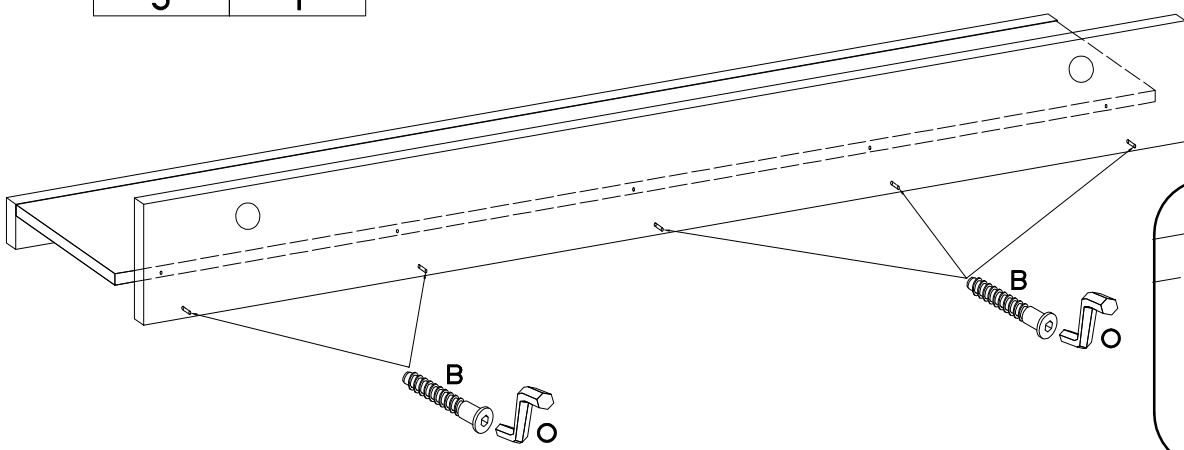
22

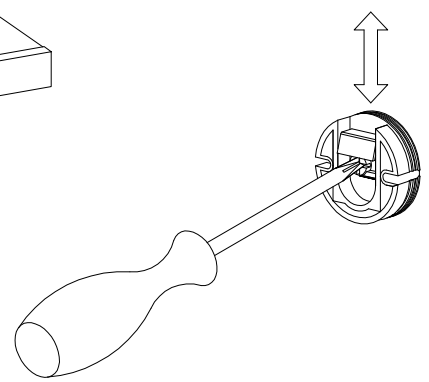
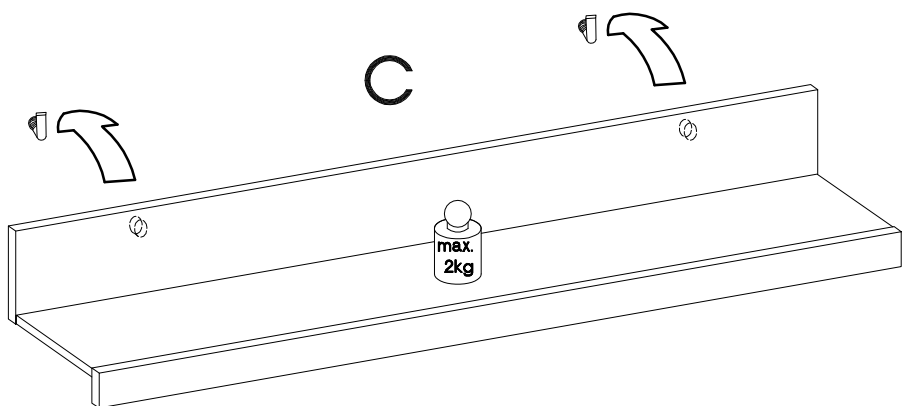
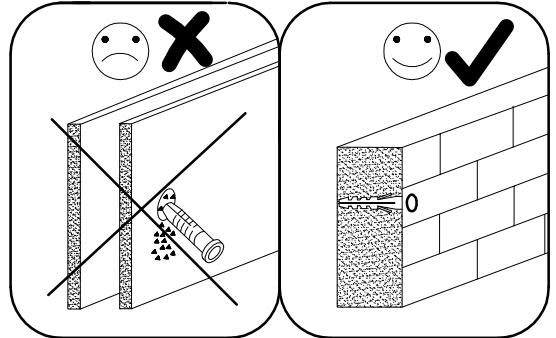
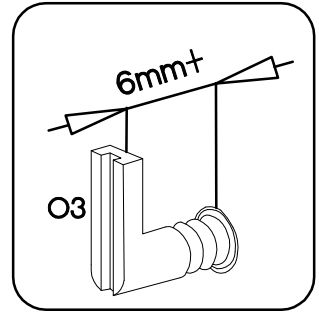
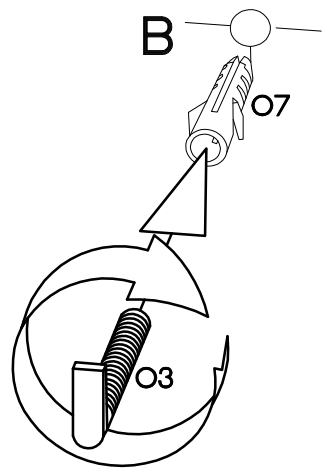
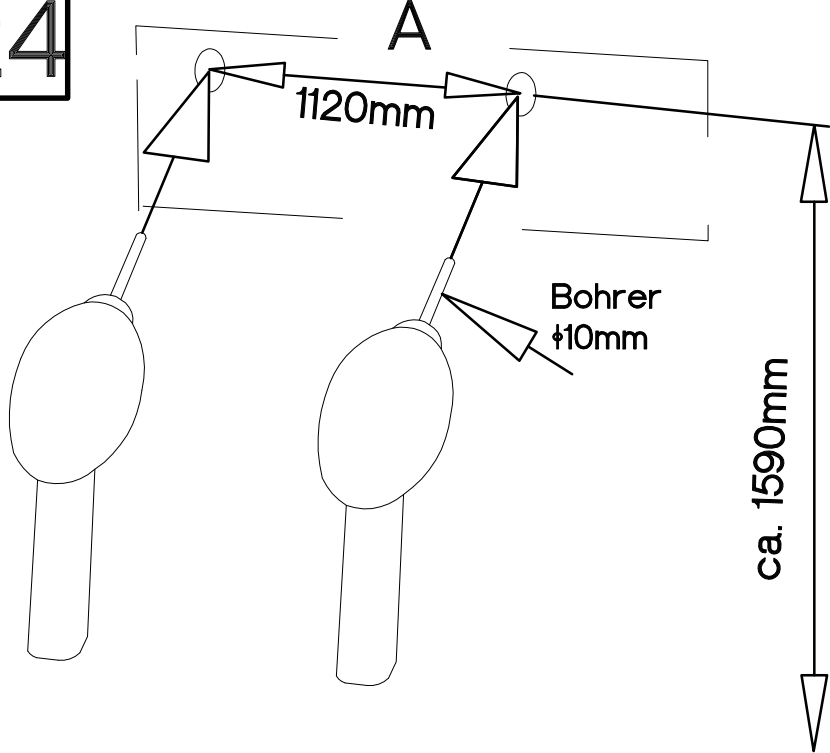
| |
|---|
| ±4.0x16mm  P1 4 |
|---|



23

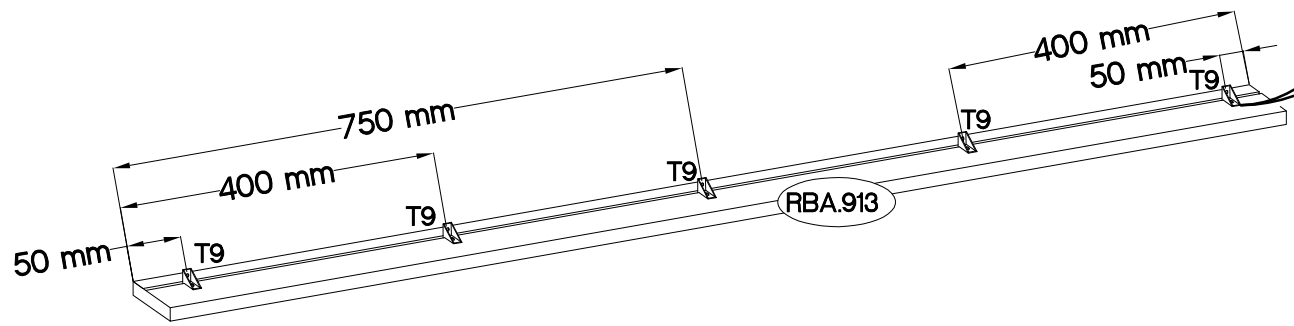
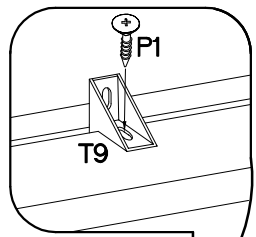
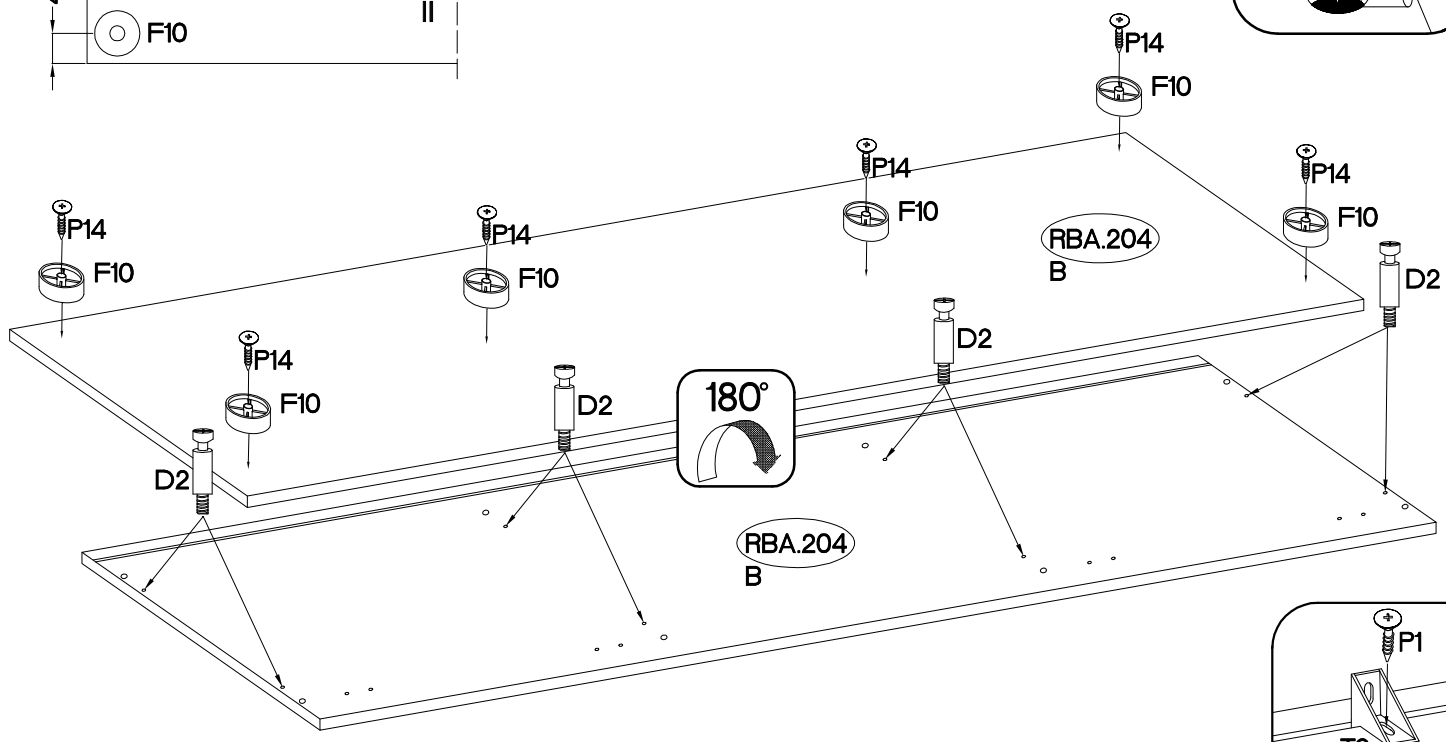
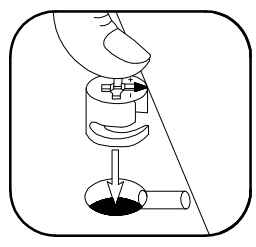
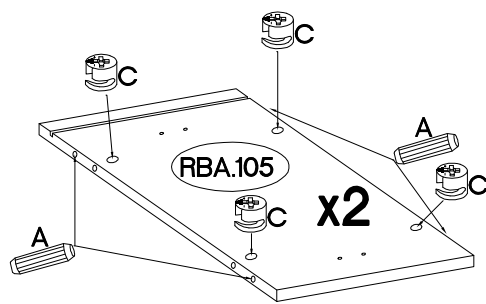
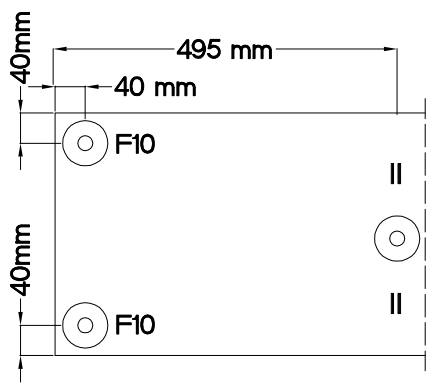
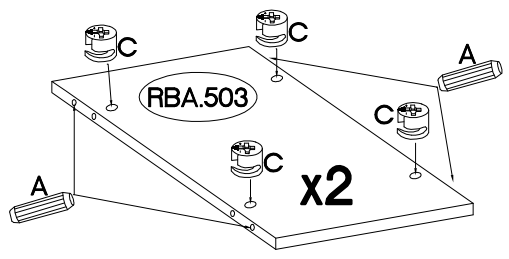
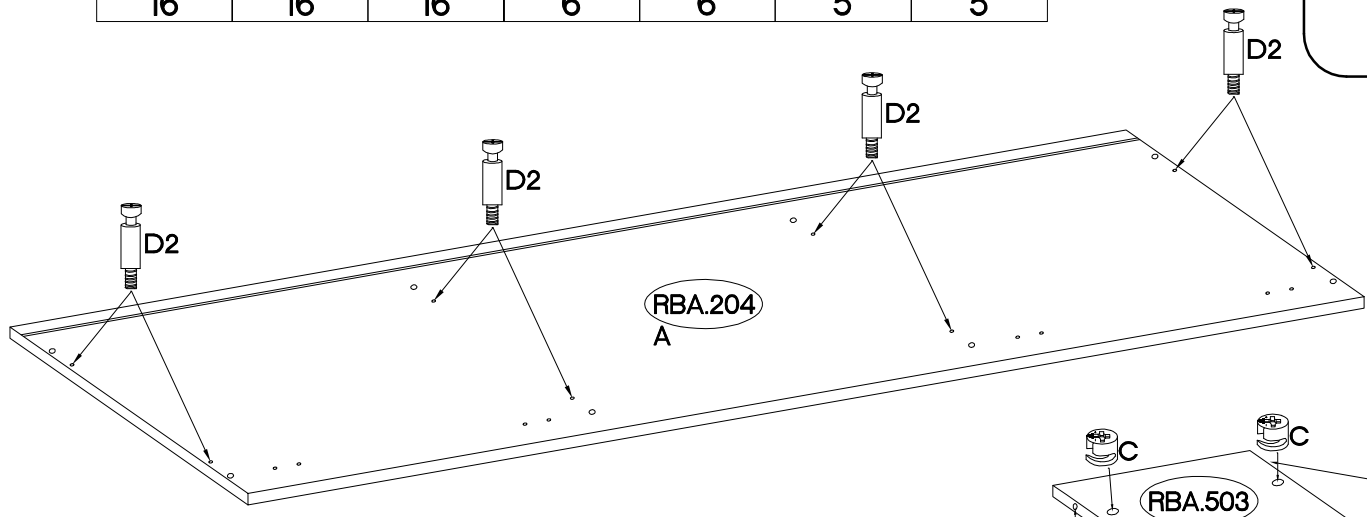
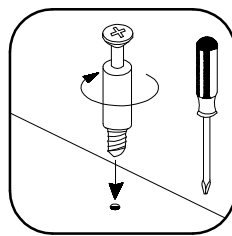
| | |
|---|---|
| 6,4 x 50mm  B 5 |  O 1 |
|---|---|



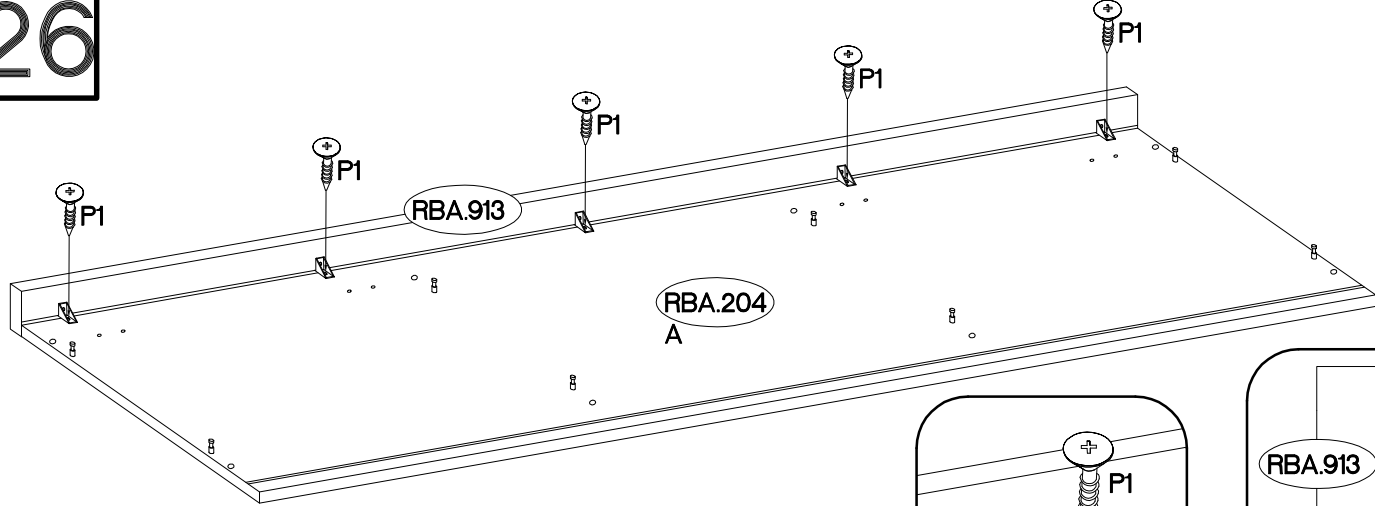



| | |
|--------|------------------------------|
| 5/45mm | $\phi 10 \times 50\text{mm}$ |
| | |
| O3 | O7 |
| 2 | 2 |

| | | | | | | |
|--------|----------|---------|----------|-----------|----|-----------|
| L=20mm | ±15/12mm | ±8x30mm | ±60/20mm | ±4.0x25mm | | ±4.0x16mm |
| | | | | | | |
| D2 | C | A | F10 | P14 | T9 | P1 |
| 16 | 16 | 16 | 6 | 6 | 5 | 5 |

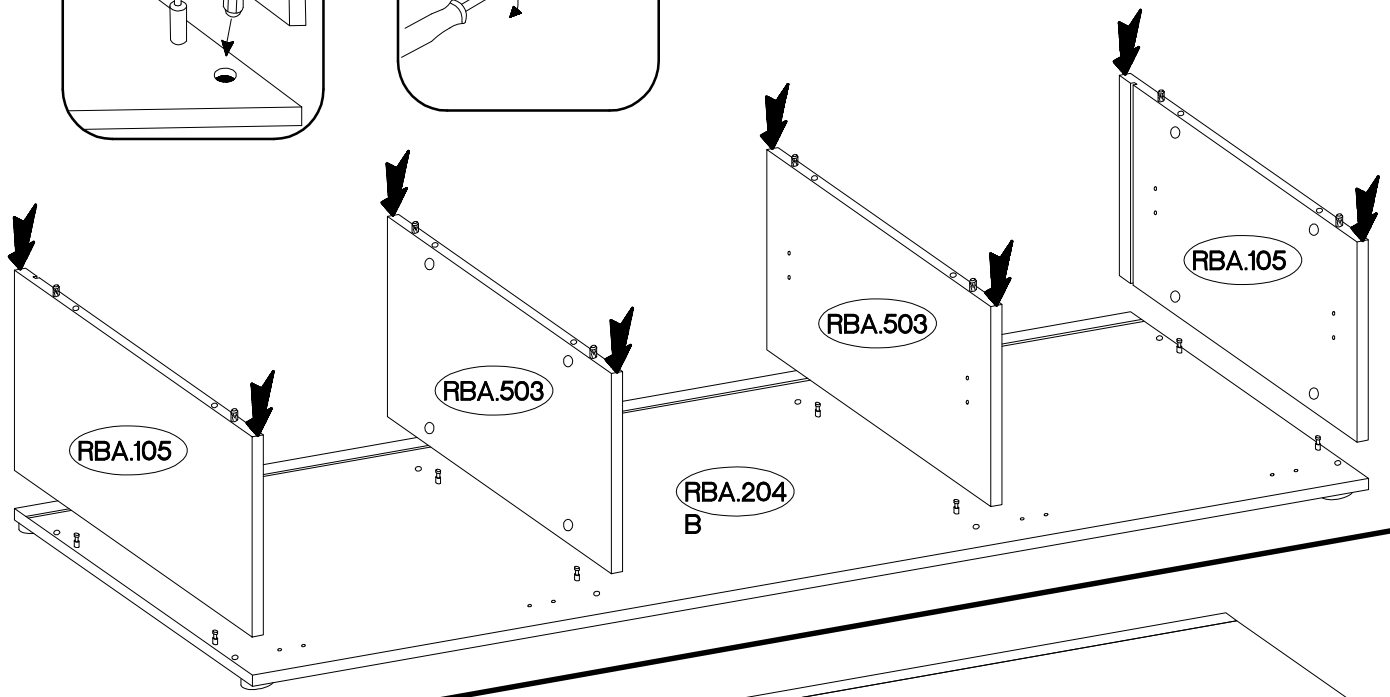
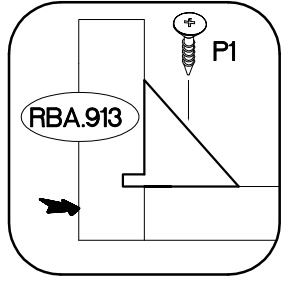
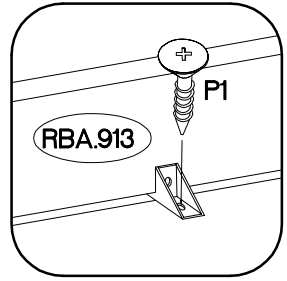
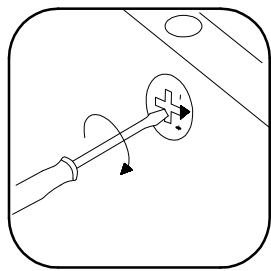
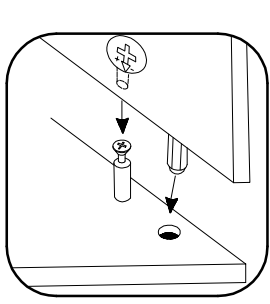


26

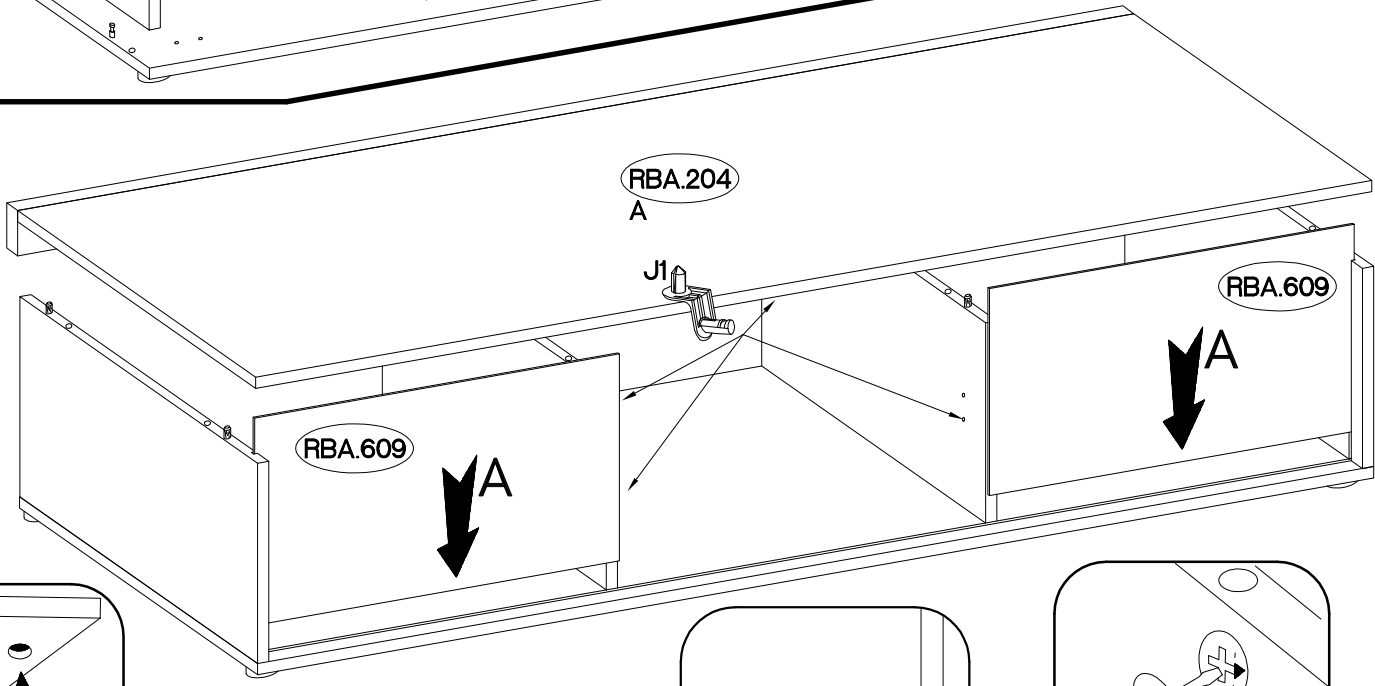


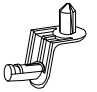
4.0x16mm

 P1
 5

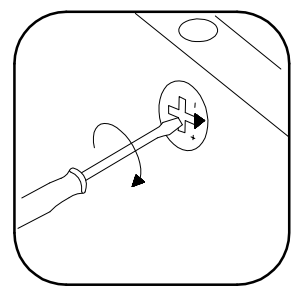
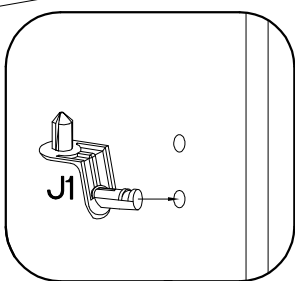
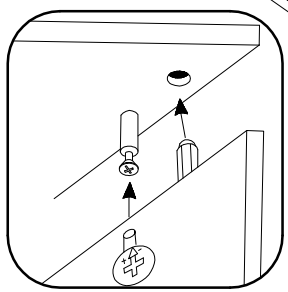
27




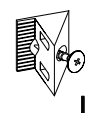
28

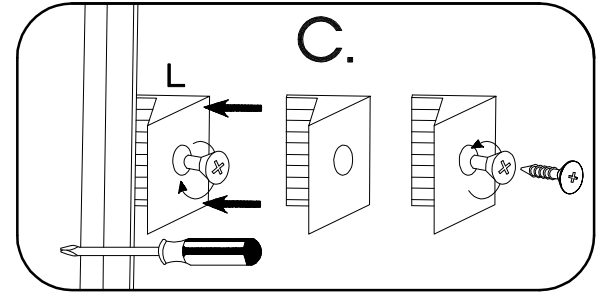
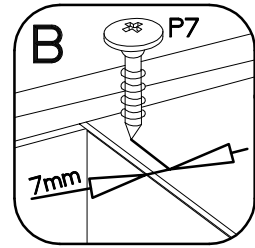
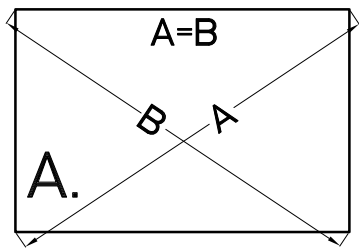
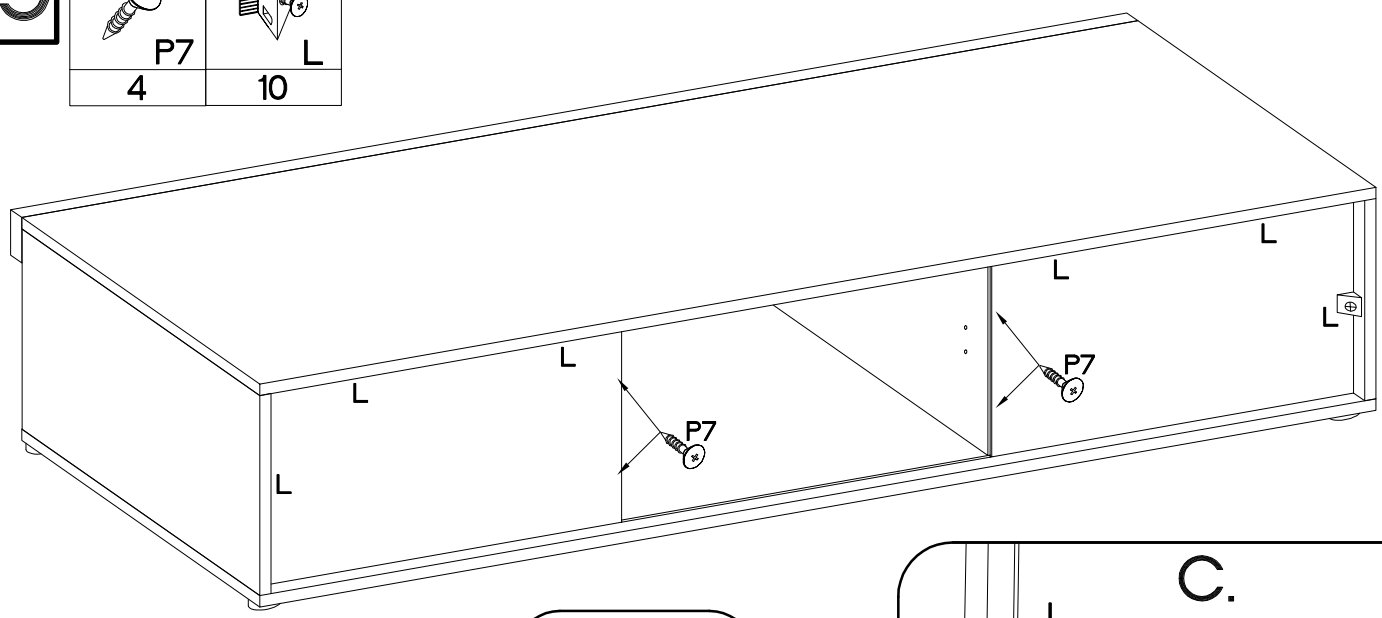



 J1
 4

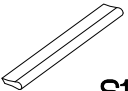






29

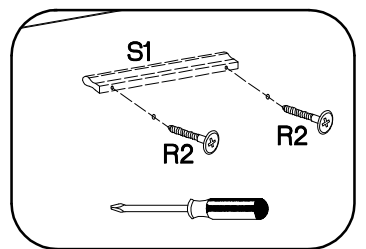
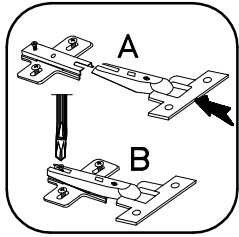
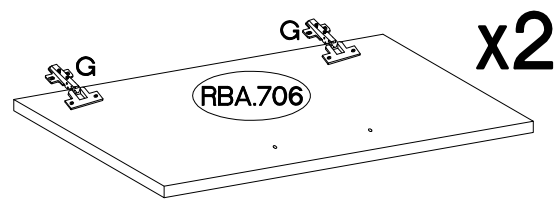
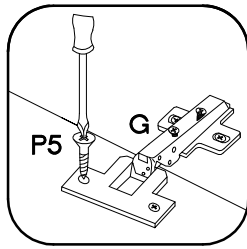
| | |
|--|--|
| ±3.0x20mm | |
|  |  |
| P7 | L |
| 4 | 10 |



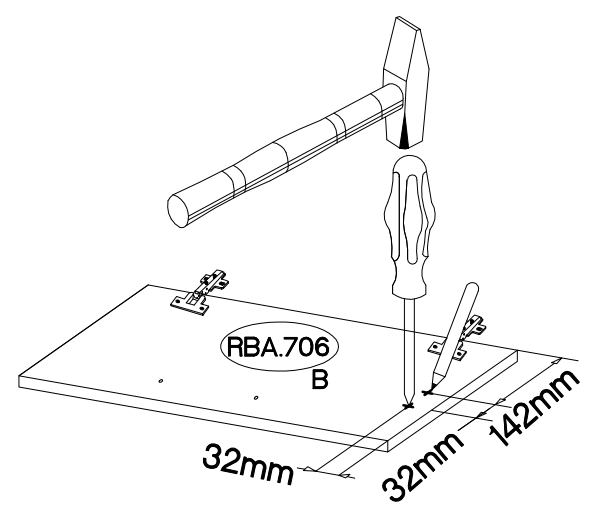
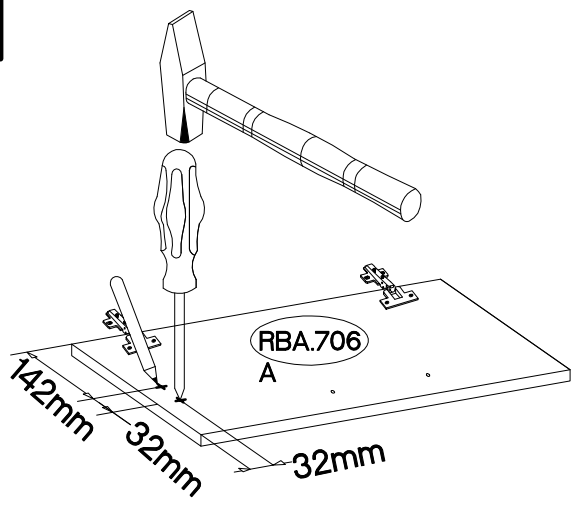
30

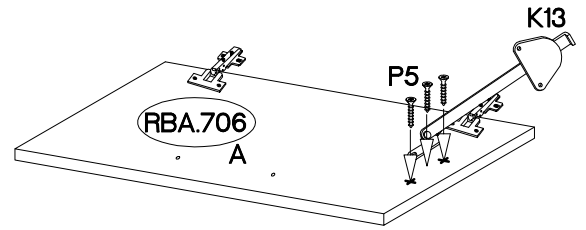
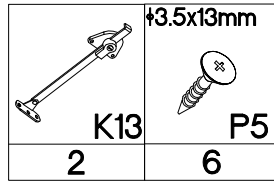
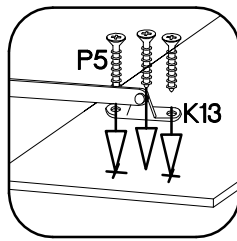
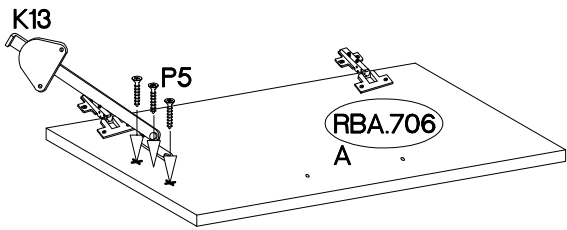
| |
|---|
| L=128mm |
|  |
| S1 |
| 2 |

| | | |
|--|---|---|
| ±35/0mm |  |  |
| G | H | |
| 4 | 4 | |
| ±3.5x13mm | ±4.0x30mm | |
|  |  | |
| P5 | R2 | |
| 8 | 4 | |



31





32

