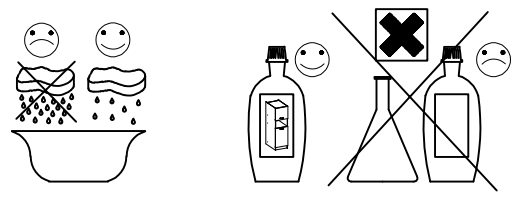
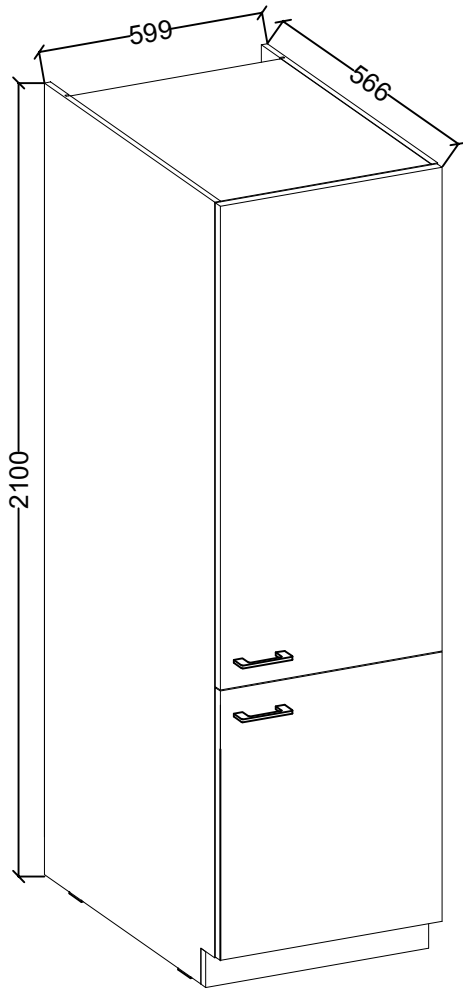


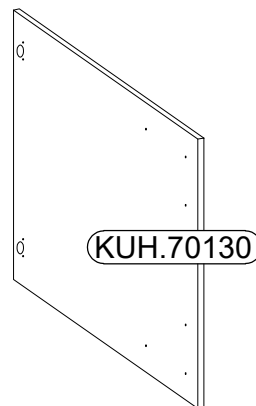
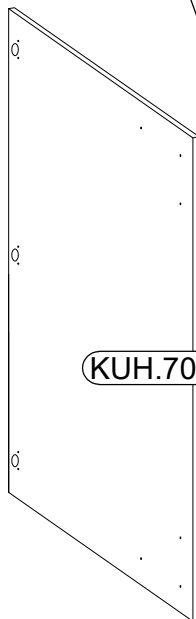
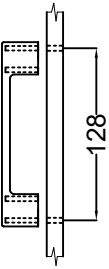
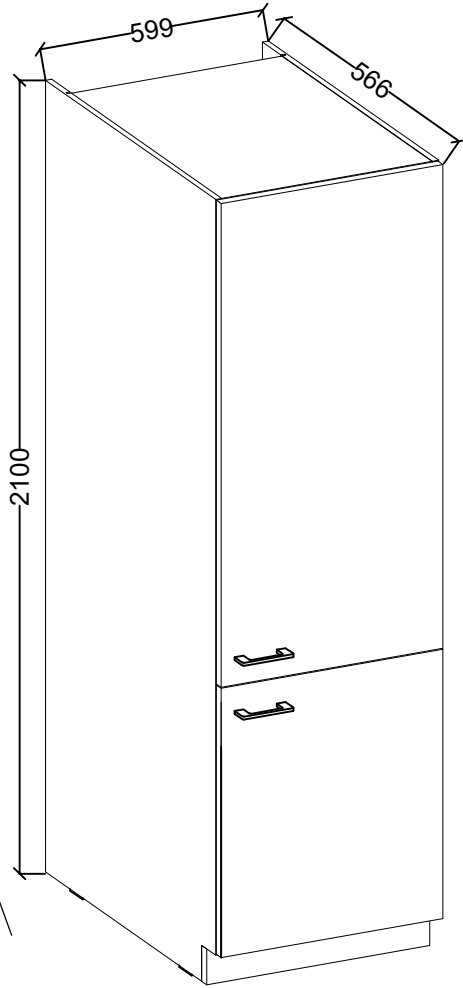
60 DK-2100 2F
60 LO-2100 2F
FRONT





60 LO-2100 2F



60 DK-2100 2F

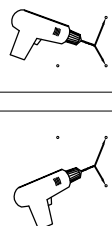
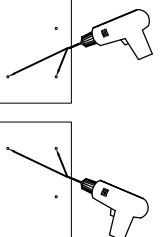
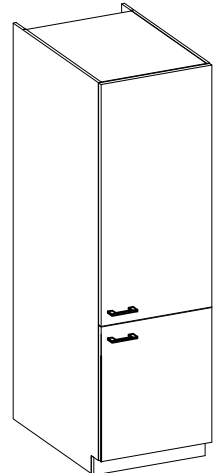
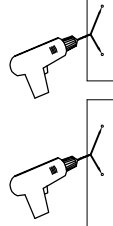
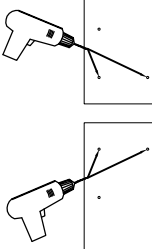
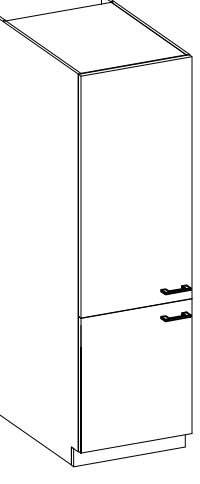
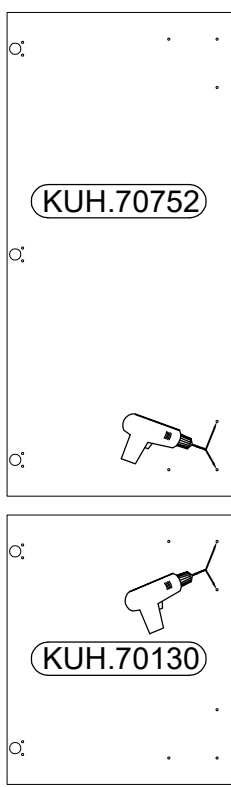
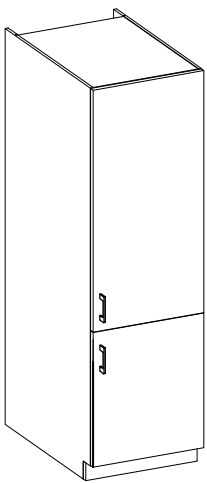
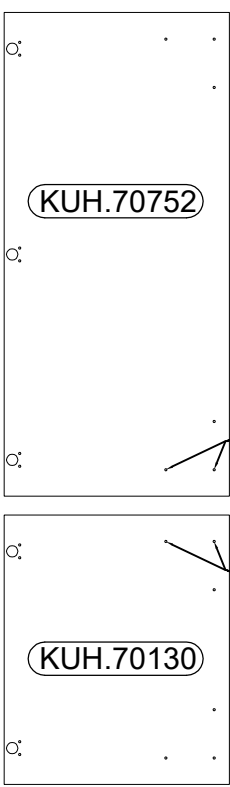
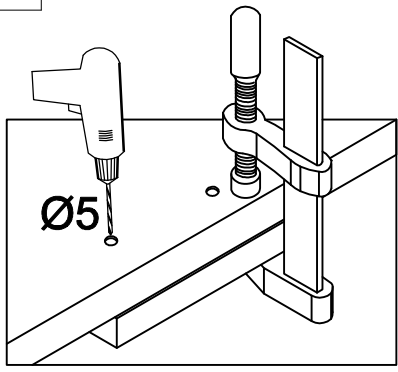
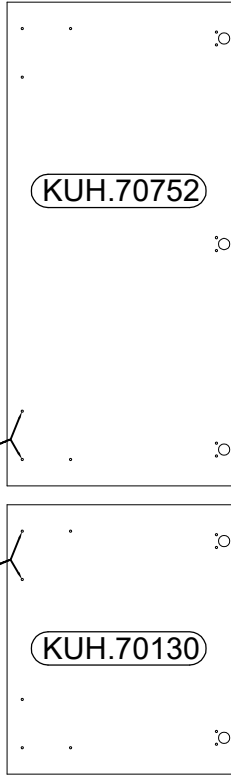
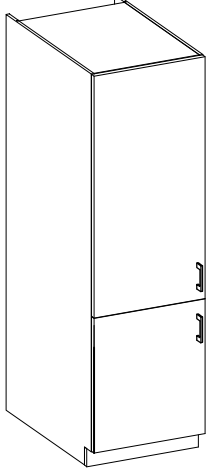
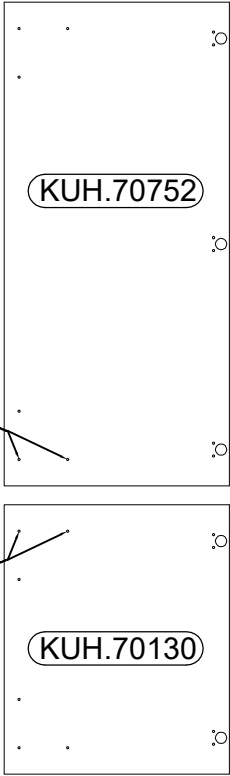
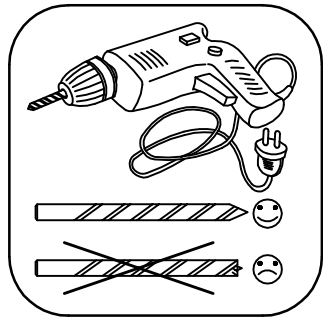


Ø4.0x30mm	
	
R2	S
4	2

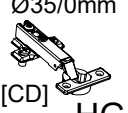

Ersatzteil Nummer	Dimension
KUH.70130	713x596x16
KUH.70752	1280x596x16

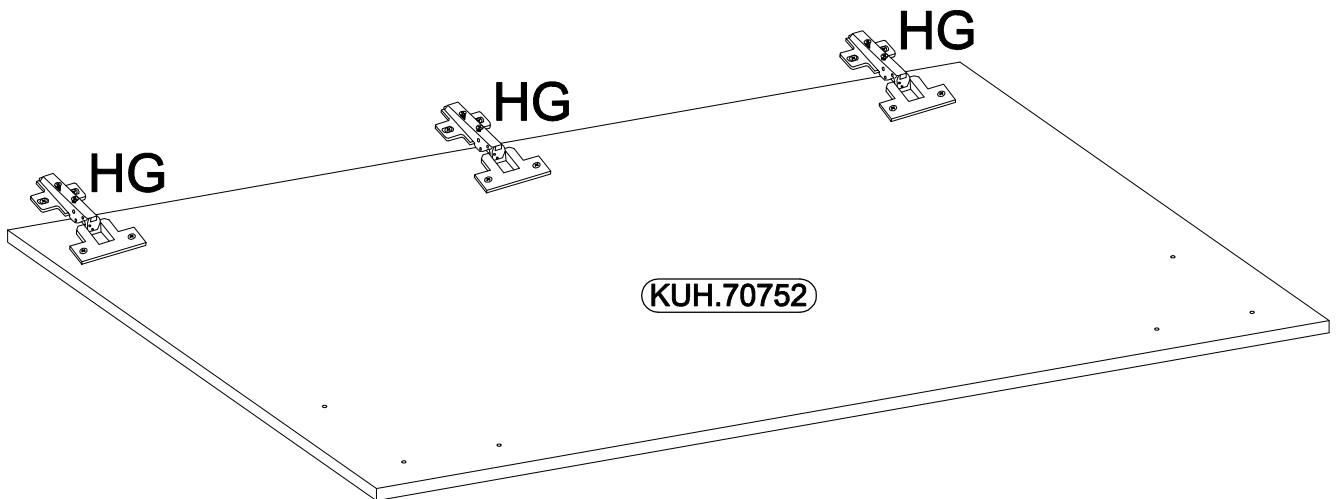
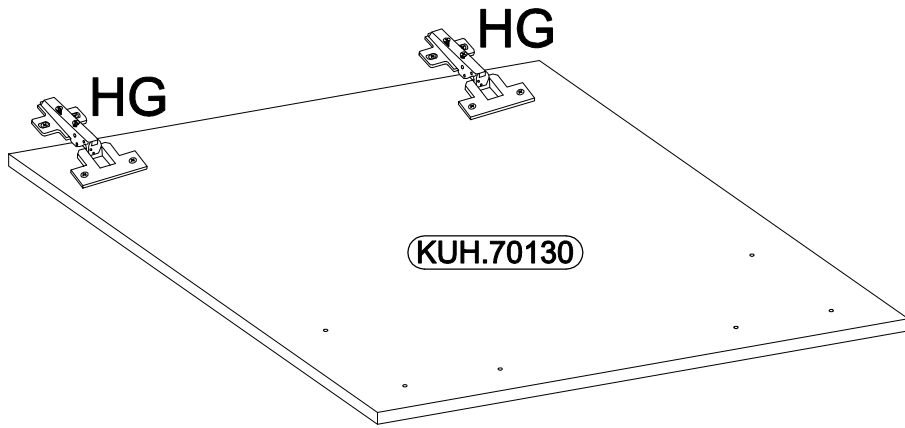
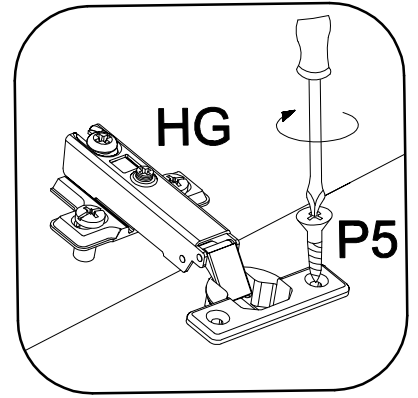
ISM-KUH-01543

1



2

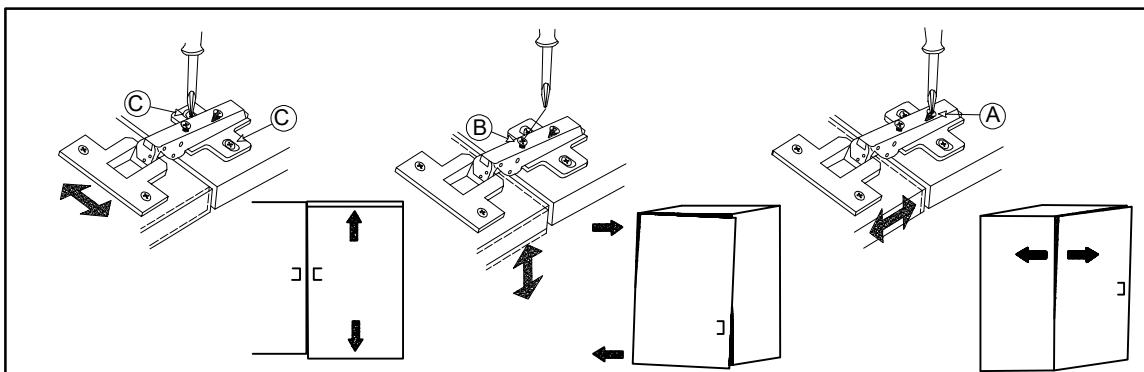
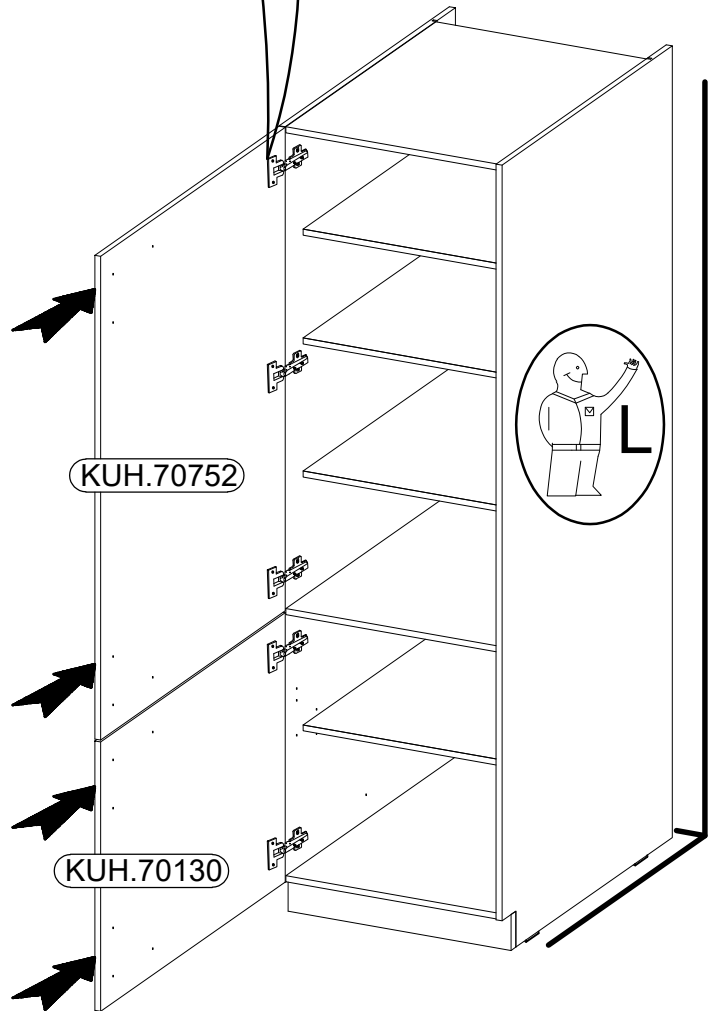
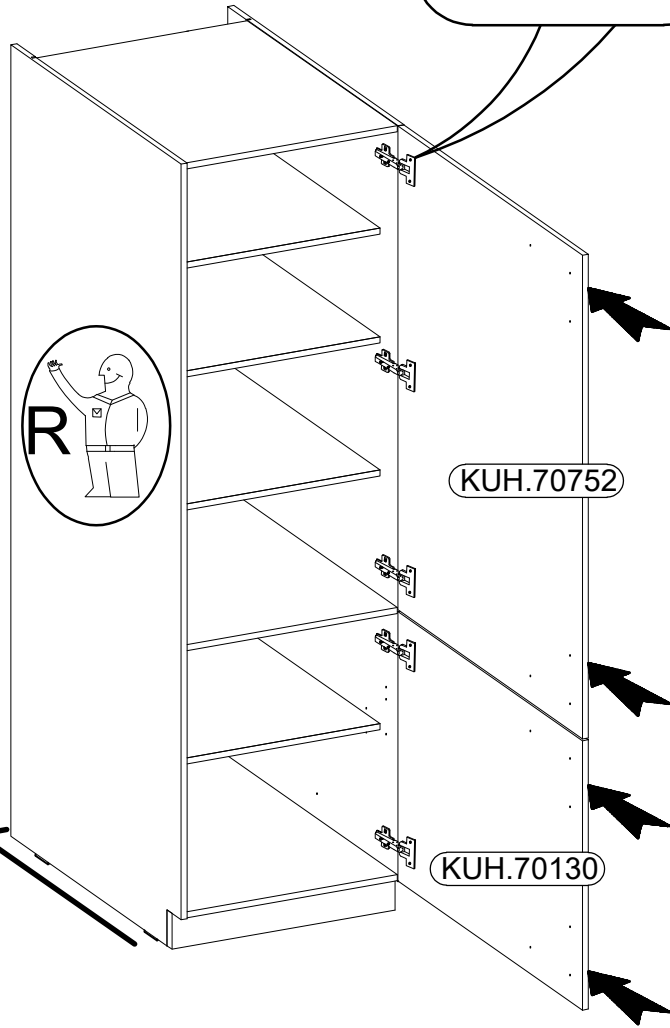
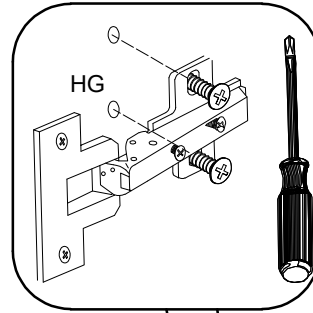
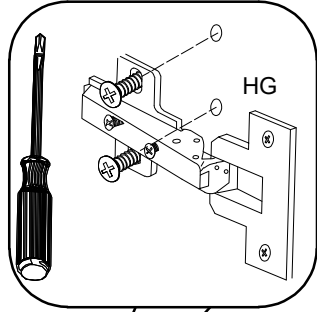
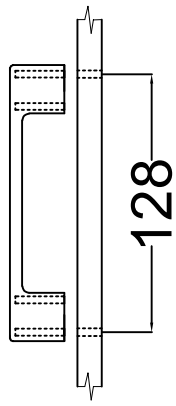
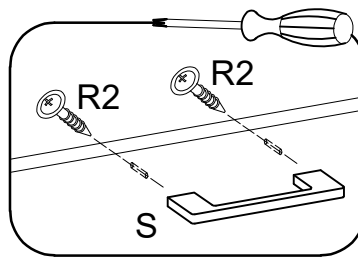
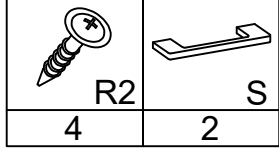
Ø35/0mm	Ø3.5x13mm
	
[CD] HG	P5
5	10



3

60 DK-2100 2F

Ø4.0x30mm



4 60 LO-2100 2F

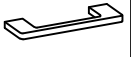
WARIANT A

Ø4.0x30mm



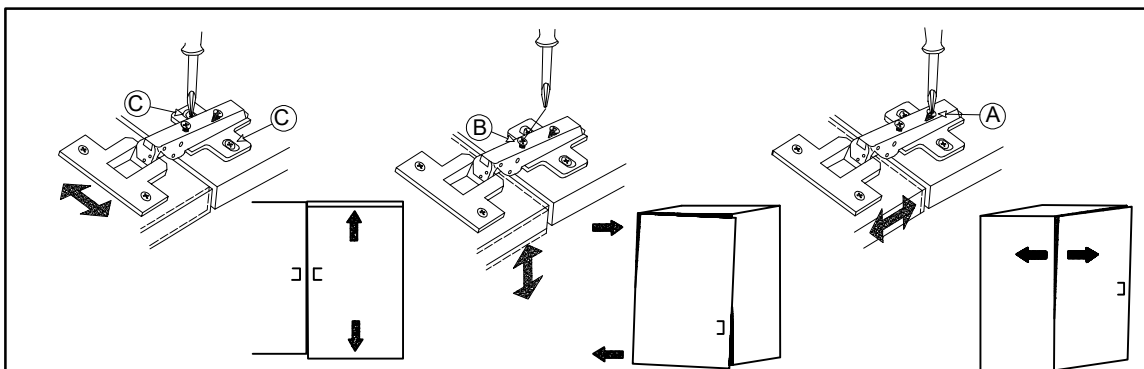
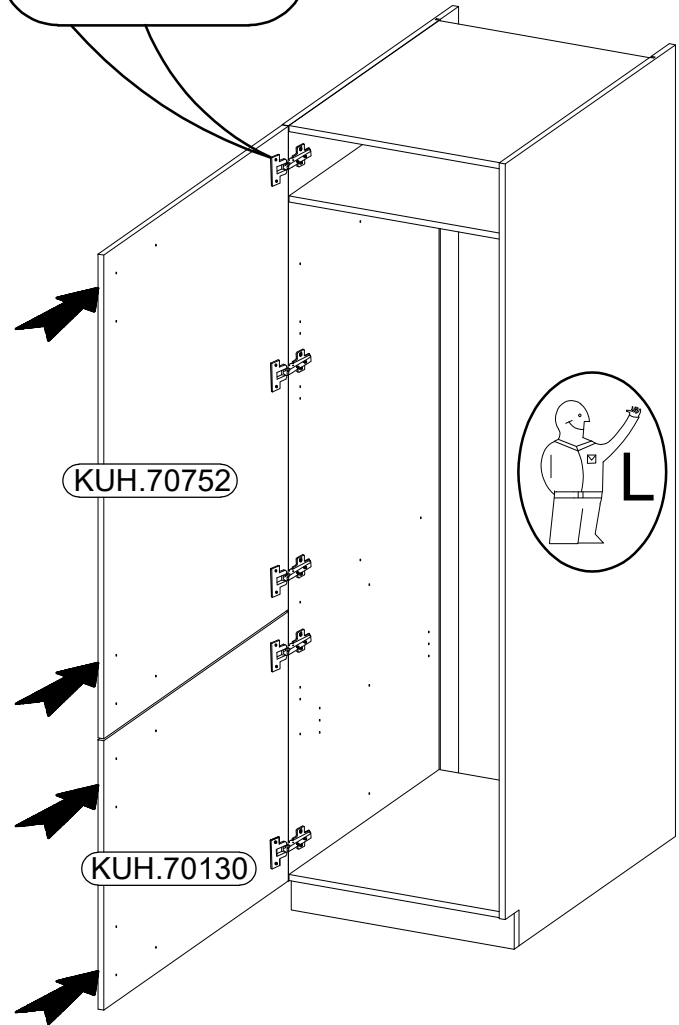
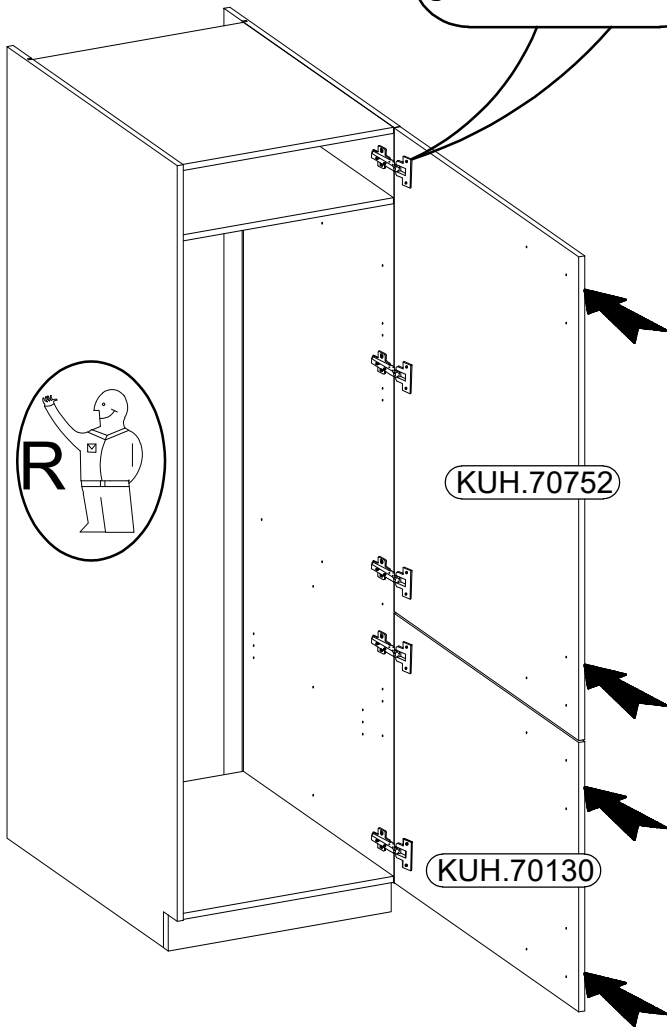
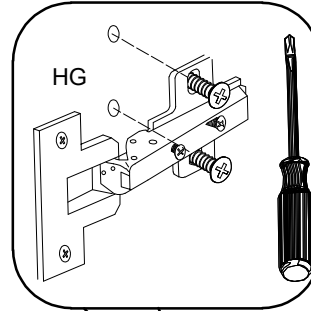
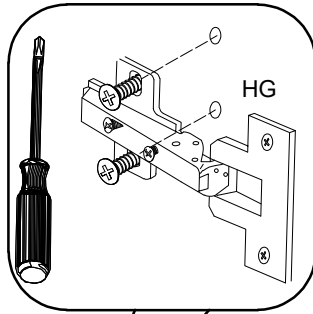
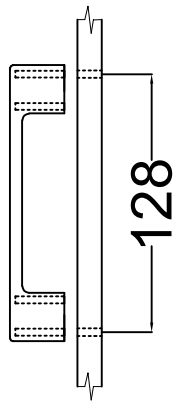
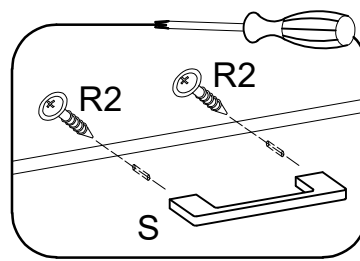
R2

4





S

2



5 | WARIANT B

Ø4.0x30mm

	
R2	S
4	2

