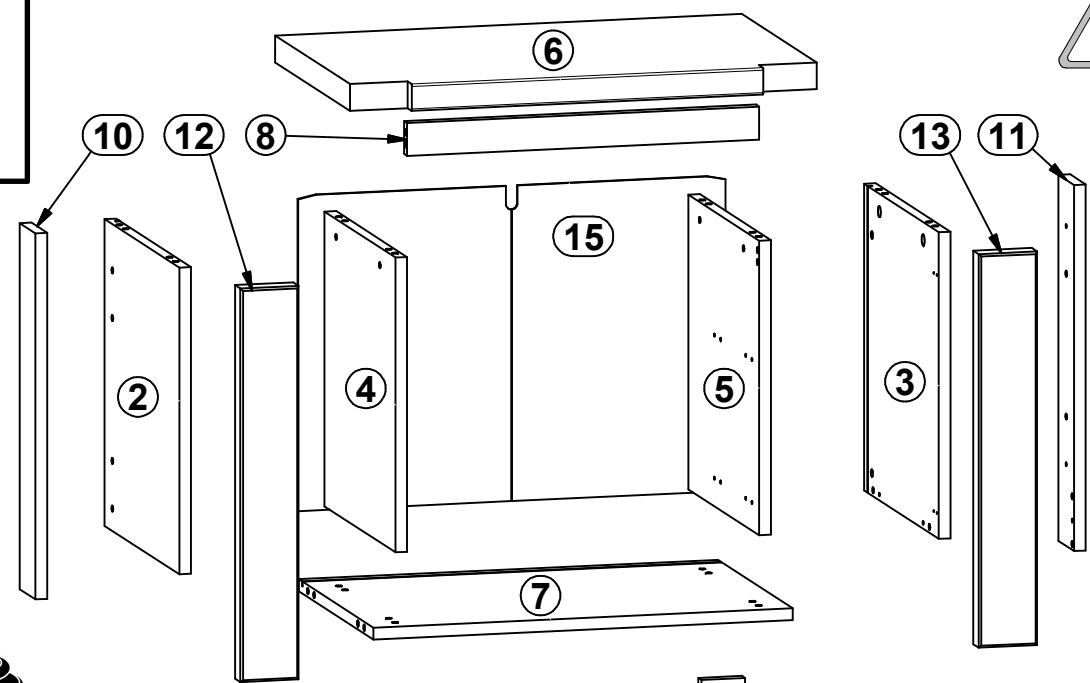
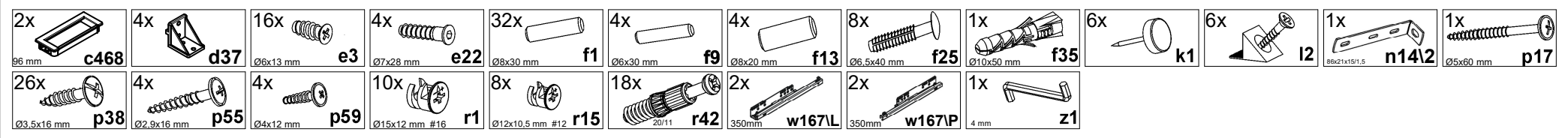
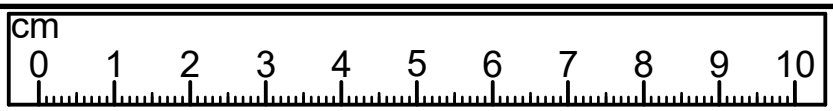
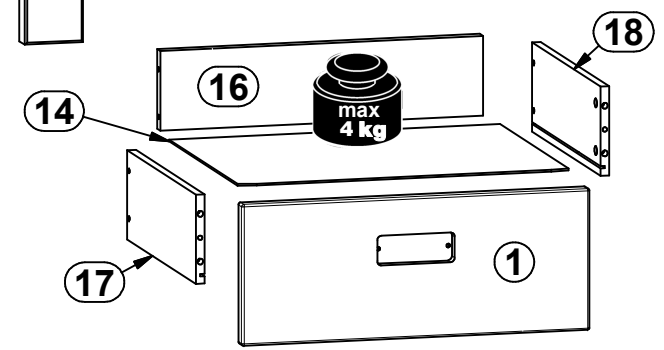
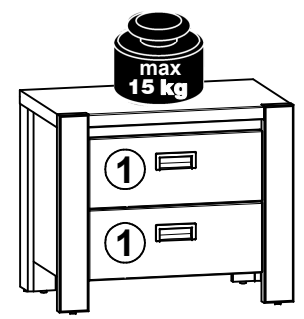


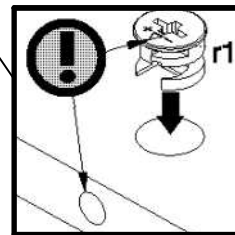
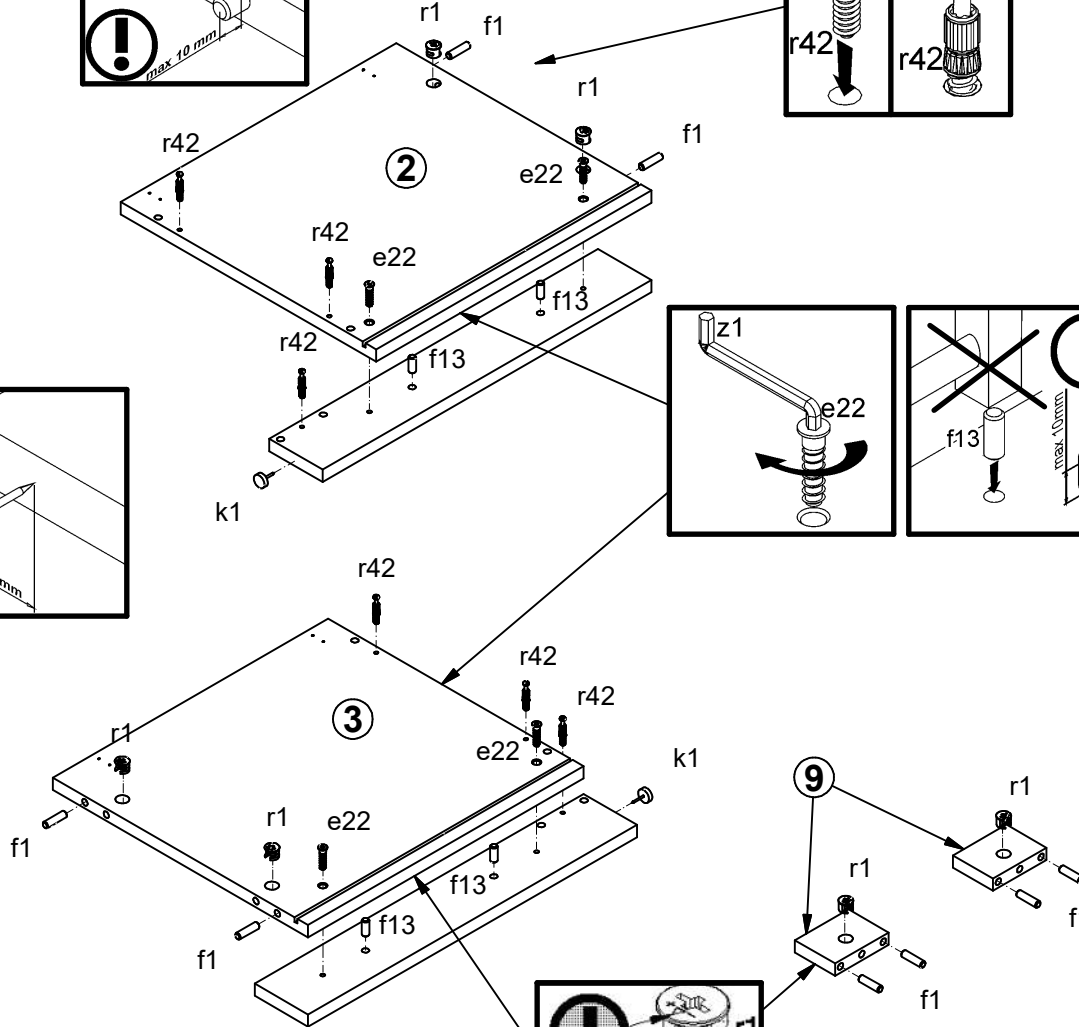
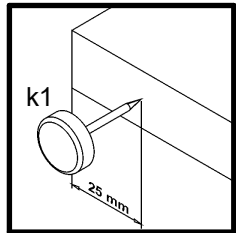
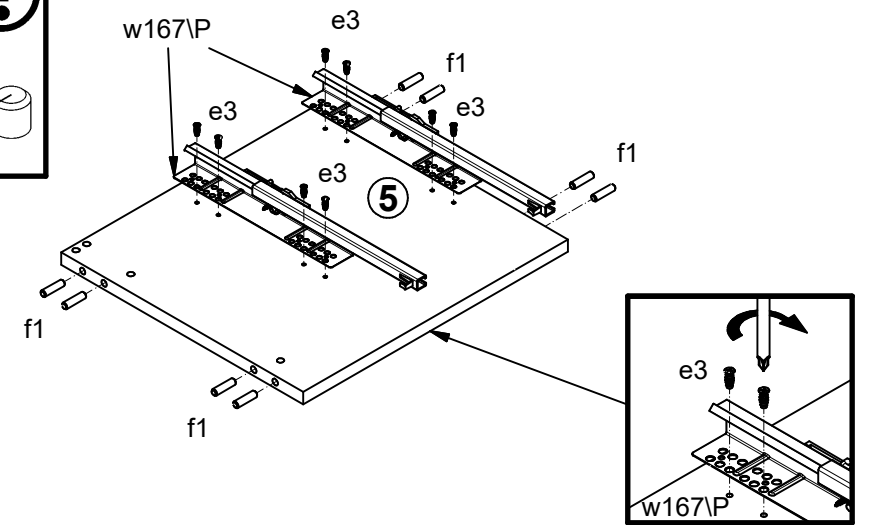
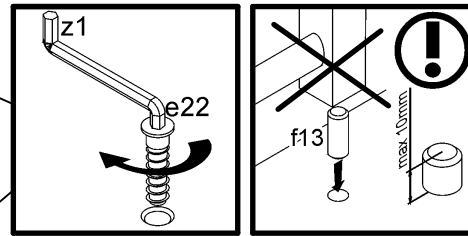
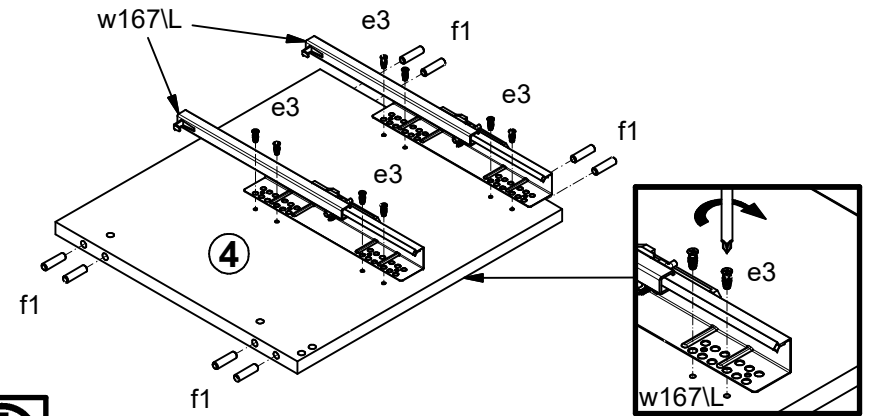
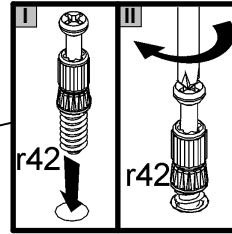
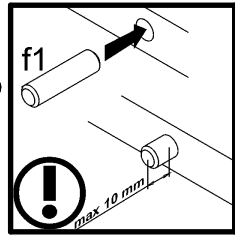
50 min



A	B	C (mm)		D
1	S391-0001	476	190	1/1
2	S391-1015	412	382	1/1
3	S391-1016	412	382	1/1
4	S391-1017	396	362	1/1
5	S391-1018	396	362	1/1
6	S391-2001	639	405	1/1
7	S391-3001	574	382	1/1
8	S391-4001	482	44	1/1
9	S391-5005	80	60	1/1
10	S391-5012	492	80	1/1
11	S391-5013	492	80	1/1
12	S391-5014	529	80	1/1
13	S391-5015	529	80	1/1
14	S391-9001	453	355	1/1
15	S391-9304	424	585	1/1
16	ZQ2-1541	442	107	1/1
17	ZQ3-507	350	120	1/1
18	ZQ3-508	350	120	1/1

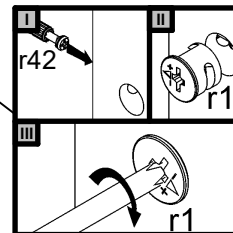
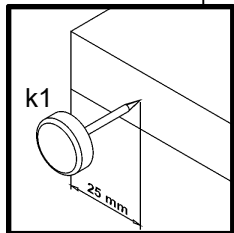
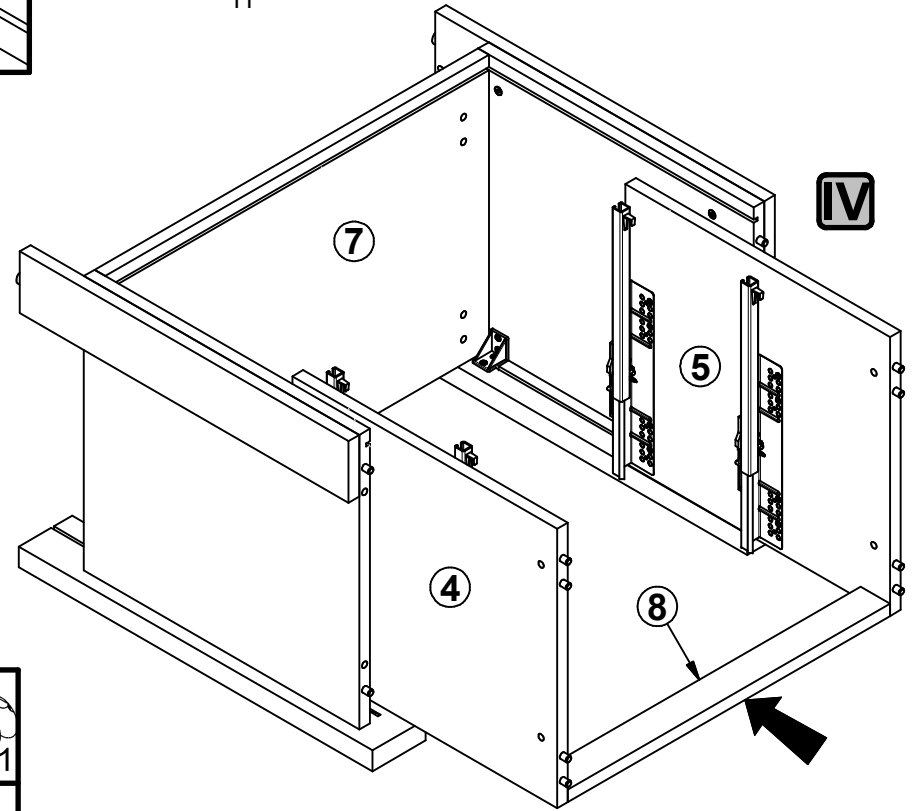
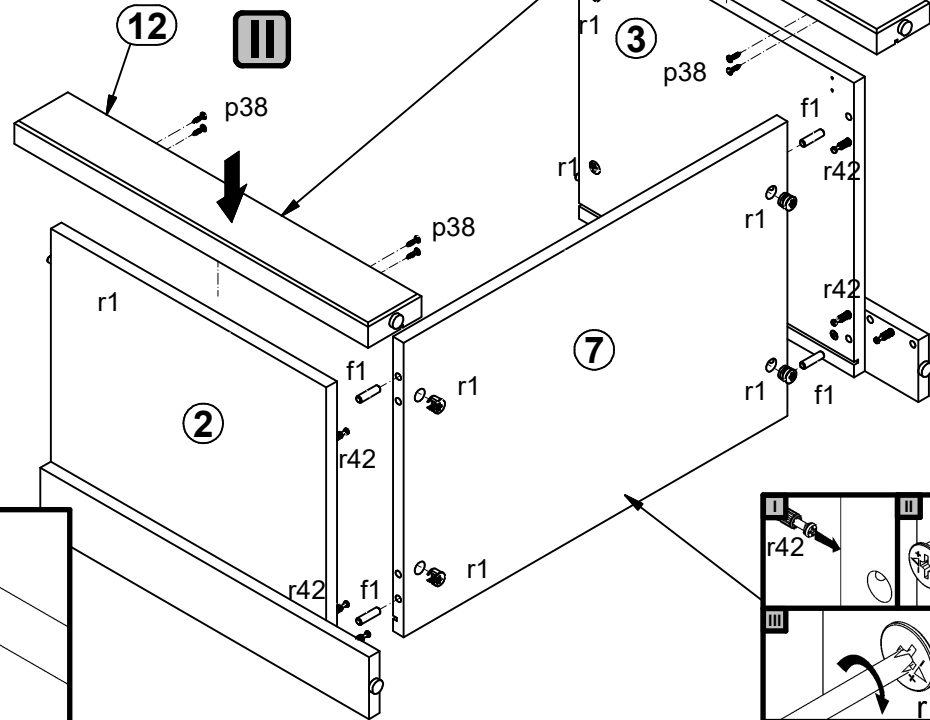
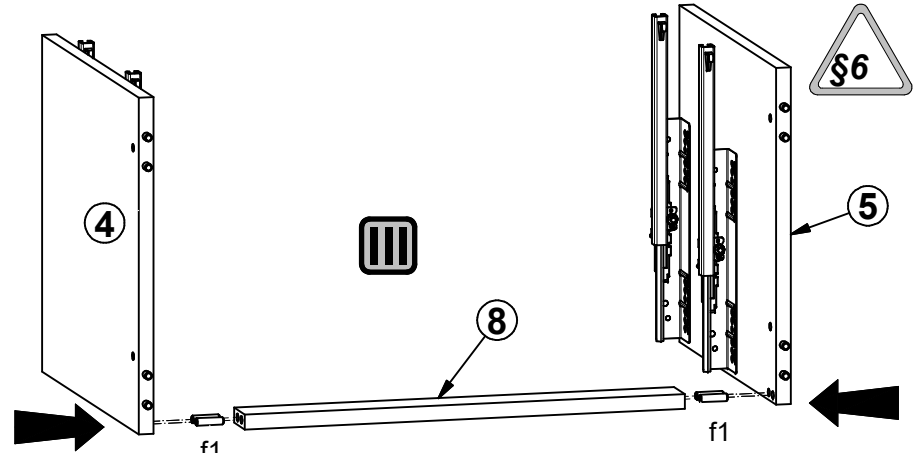
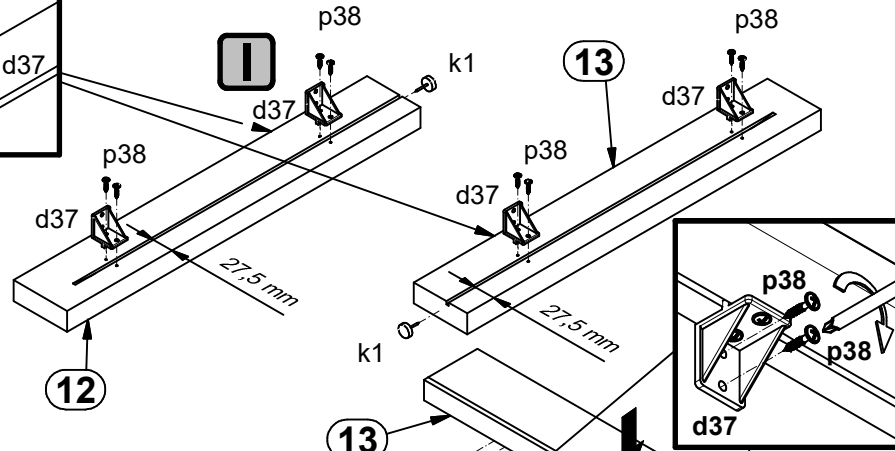
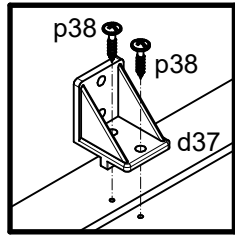


1



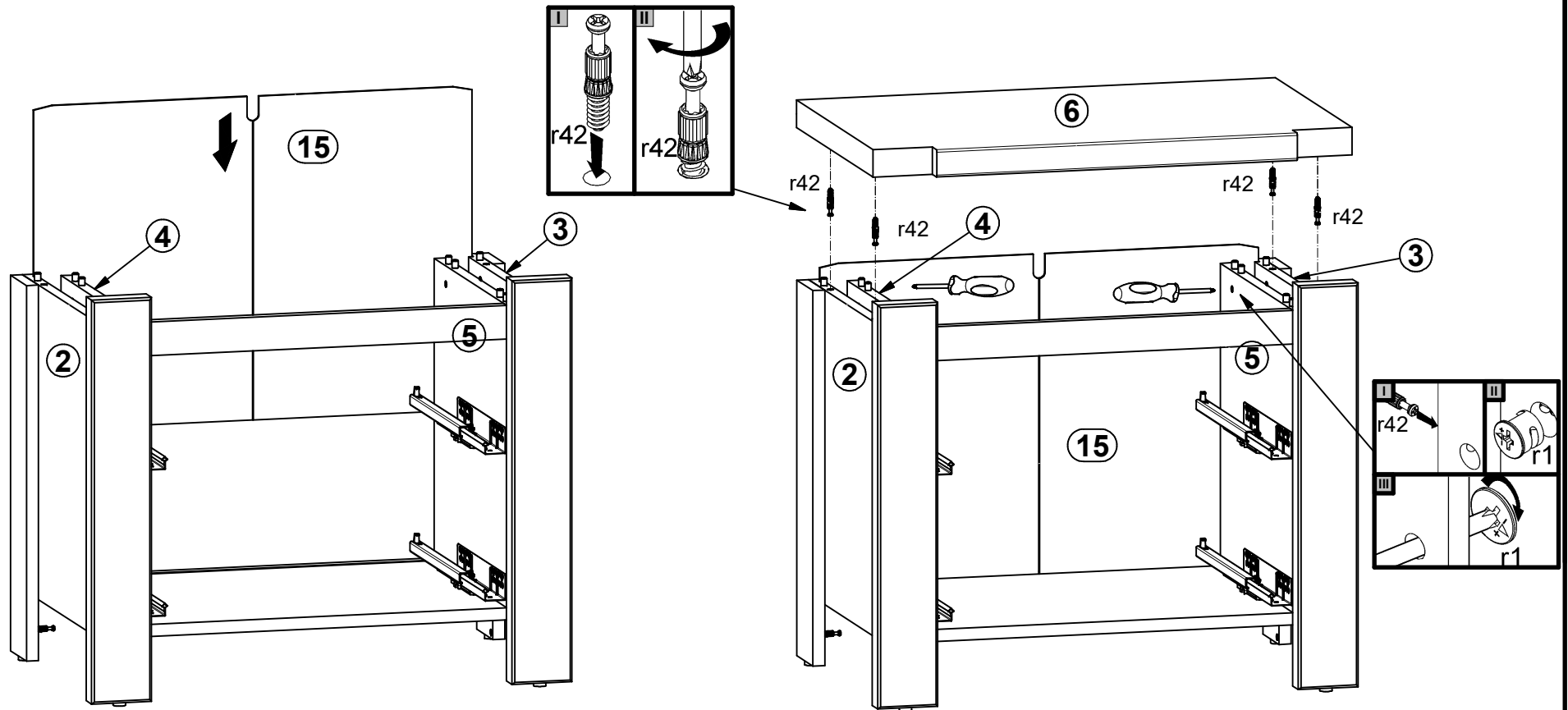
16x Ø6x13 mm e3	4x Ø7x28 mm e22	24x Ø8x30 mm f1	4x Ø8x20 mm f13	2x k1
6x Ø15x12 mm #16 r1	6x 20/11 r42	2x 350mm w167L	2x 350mm w167P	1x 4 mm z1

2

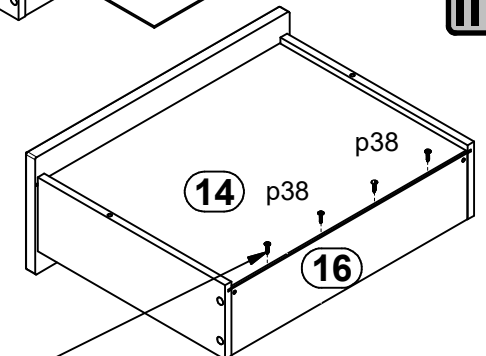
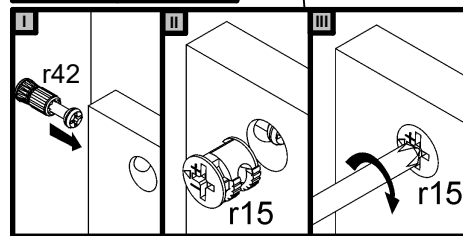
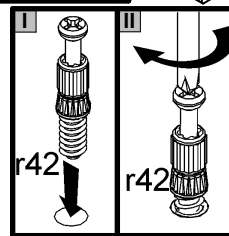
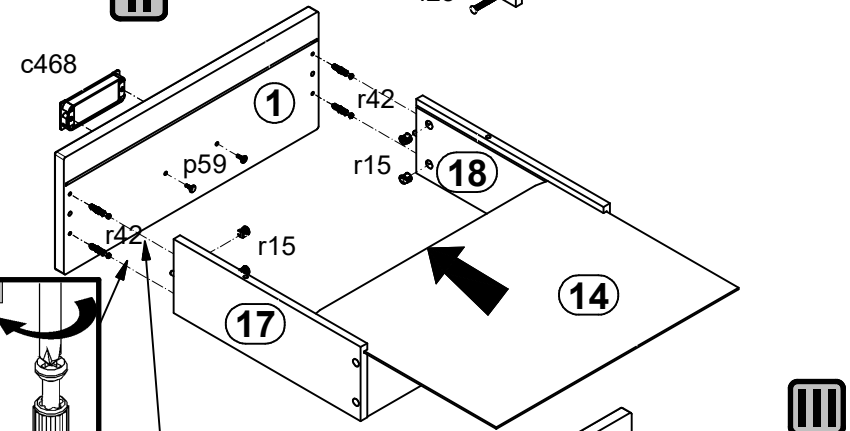
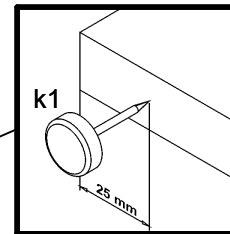
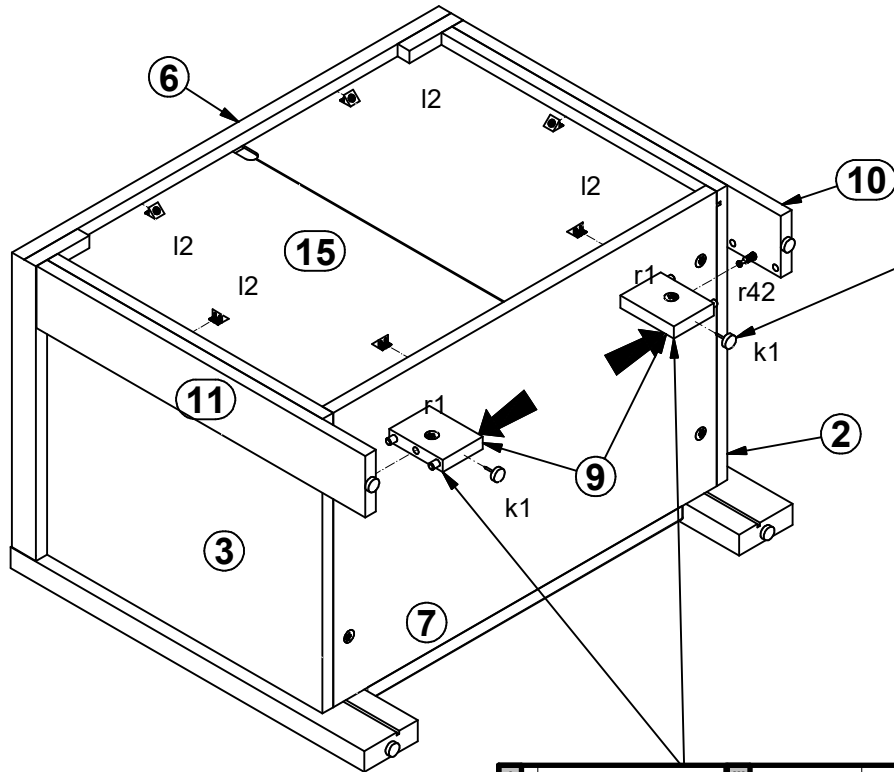
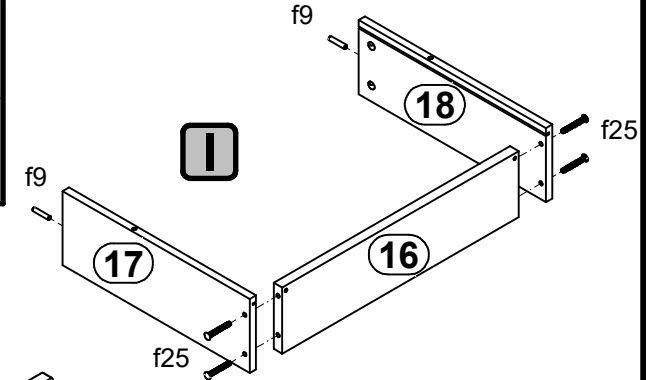
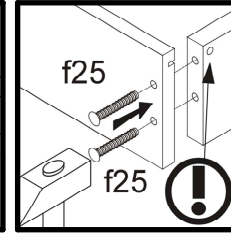
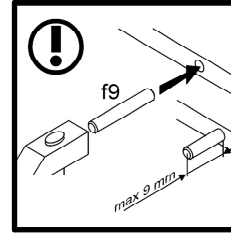
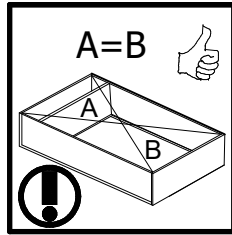
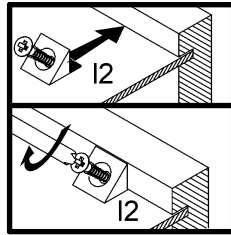


- 4x d37
- 8x f1 Ø8x30 mm
- 2x k1
- 16x p38 Ø3.5x16 mm
- 4x r1 Ø15x12 mm #16

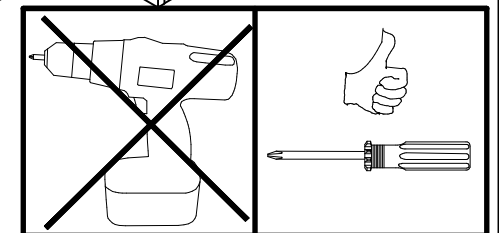
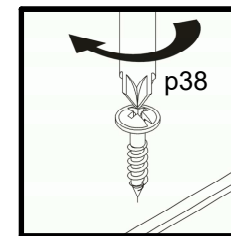
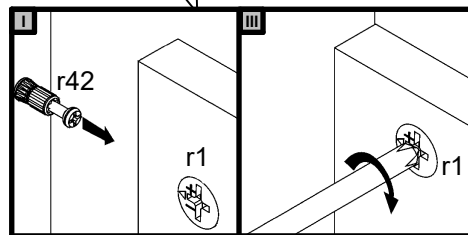
**3** 



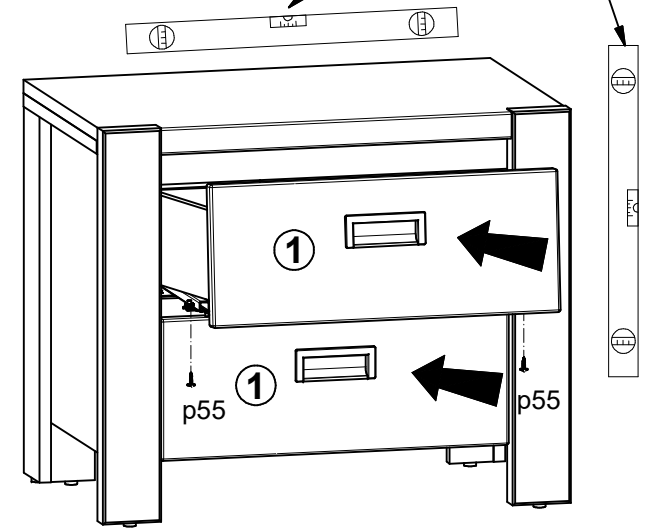
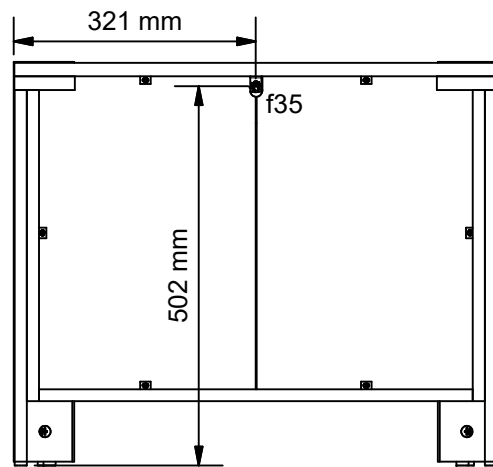
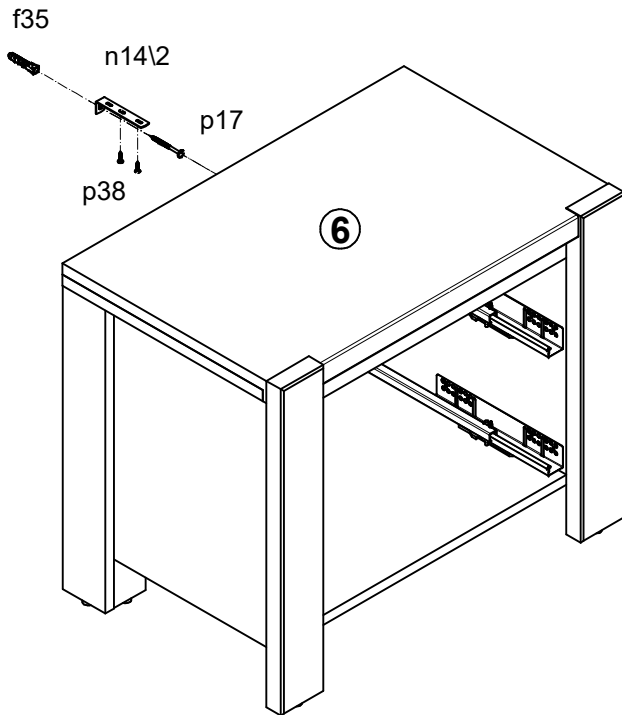
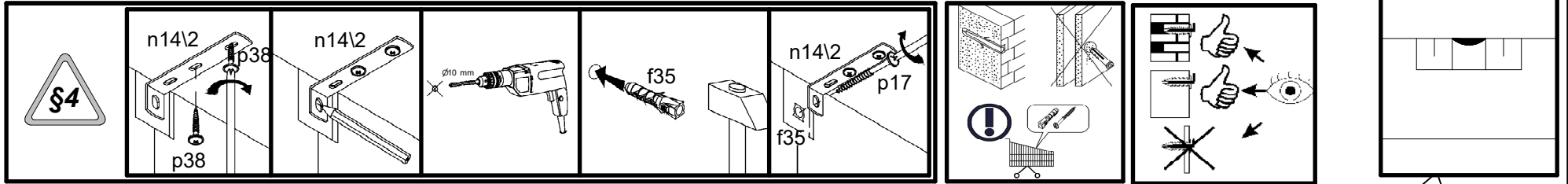
4  §6



2x 96 mm <b>c468</b>	4x Ø6x30 mm <b>f9</b>	8x Ø6,5x40 mm <b>f25</b>
2x <b>k1</b>	6x <b>l2</b>	8x Ø3,5x16 mm <b>p38</b>
4x Ø4x12 mm <b>p59</b>	8x Ø12x10,5 mm #12 <b>r15</b>	8x 20/11 <b>r42</b>



5



- 1x f35
- 1x n14\2
- 1x p17
- 2x p38
- 4x p55

