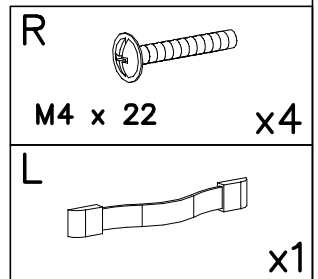
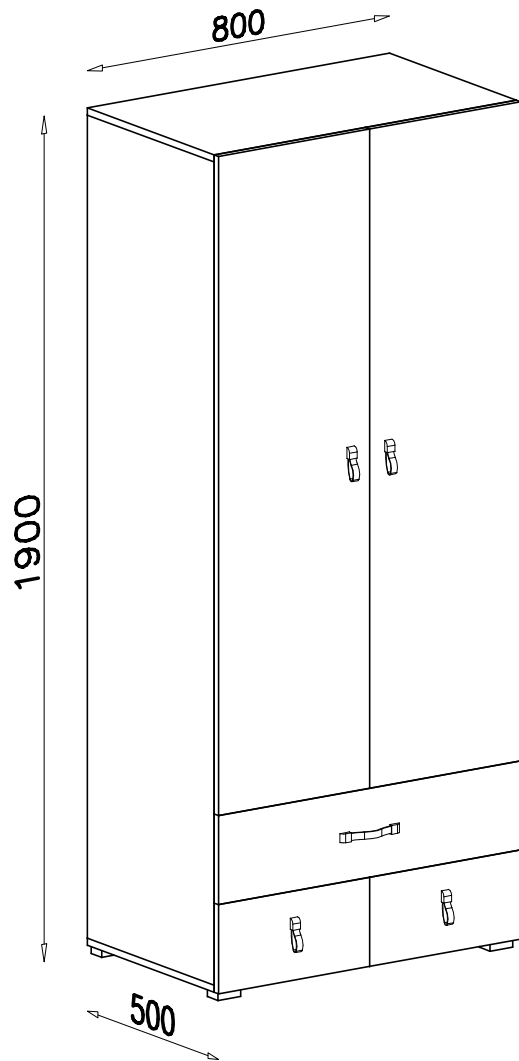
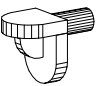

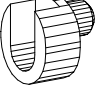

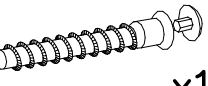
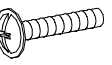


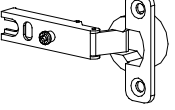
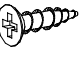



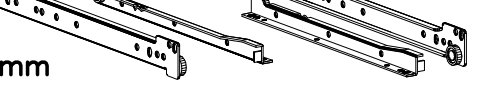
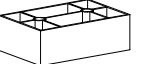






system  
**KOMI**

**KM 2**



P		x4	I		3 x 13	x2	M		x2	S		759mm	x1	A		x14	
J		M4 x 20	x2	U		x4	T		4 x 25	x8	D		x6	F		4 x 16	x30
E		3 x 20	x65	C		x6	H		1847mm	x1	N		400mm	x3			
G		x4	K		6 x 13	x12	B		x45	Y		KLEJ	x2	Z		x1	