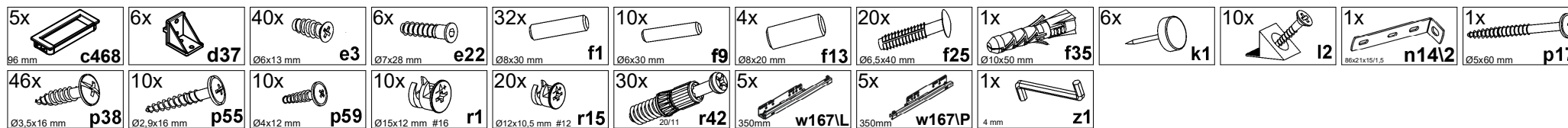
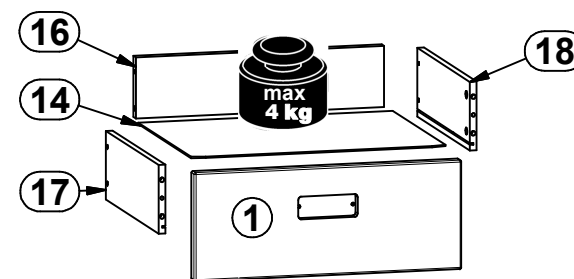
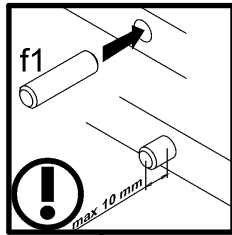


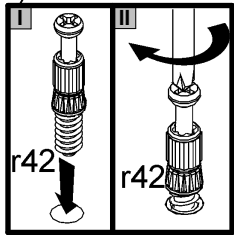
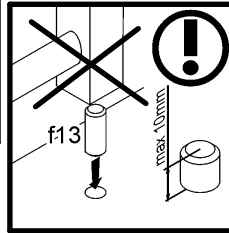
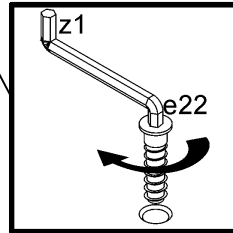
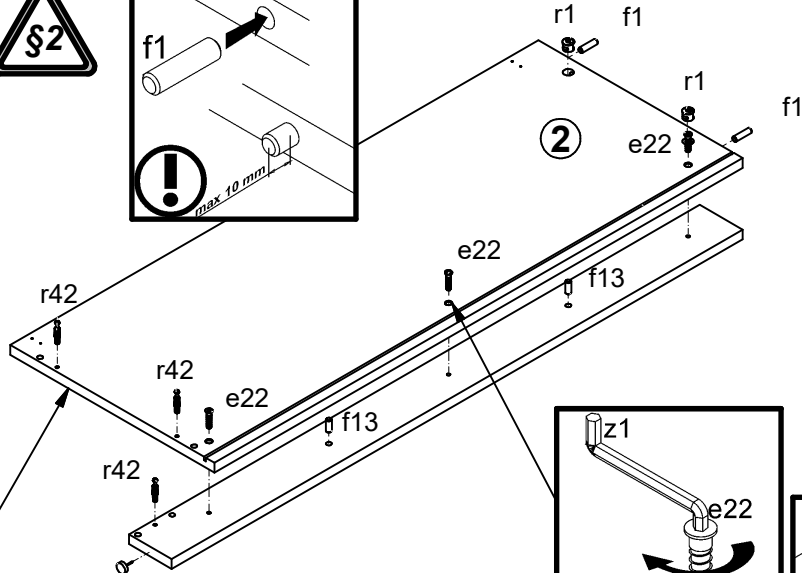
A	B	C (mm)		D
1	S391-0001	476	190	2/3
2	S391-1005	988	382	1/3
3	S391-1006	988	382	1/3
4	S391-1007	972	362	2/3
5	S391-1008	972	362	2/3
6	S391-2001	639	405	1/3
7	S391-3001	574	382	1/3
8	S391-4001	482	44	2/3
9	S391-5005	80	60	3/3
10	S391-5006	1068	80	3/3
11	S391-5007	1068	80	3/3
12	S391-5008	1105	80	3/3
13	S391-5009	1105	80	3/3
14	S391-9001	453	355	2/3
15	S391-9302	1000	585	1/3
16	ZQ2-1541	442	107	2/3
17	ZQ3-507	350	120	2/3
18	ZQ3-508	350	120	2/3



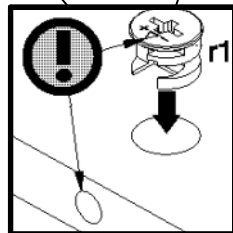
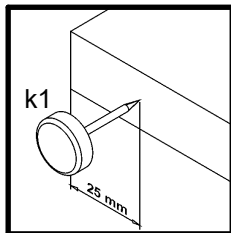
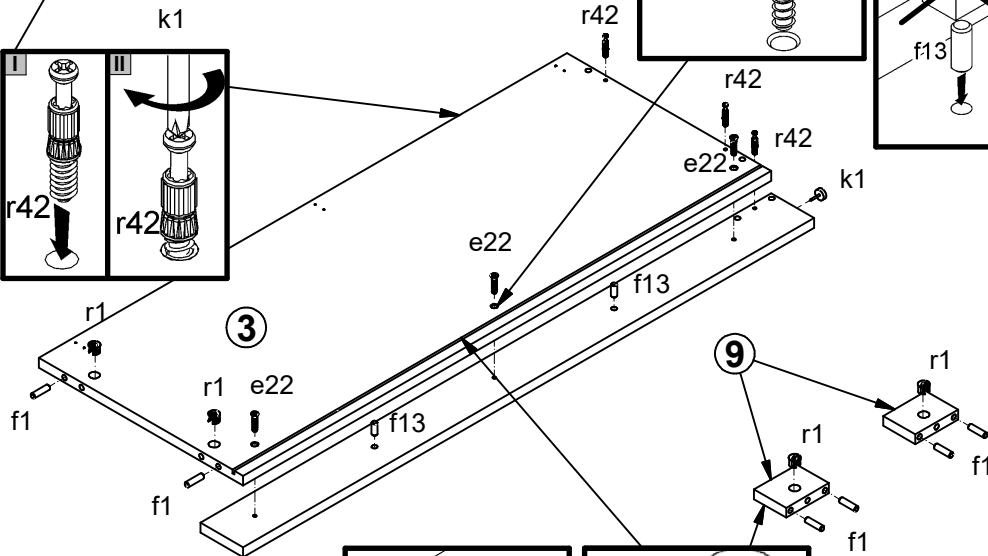
1



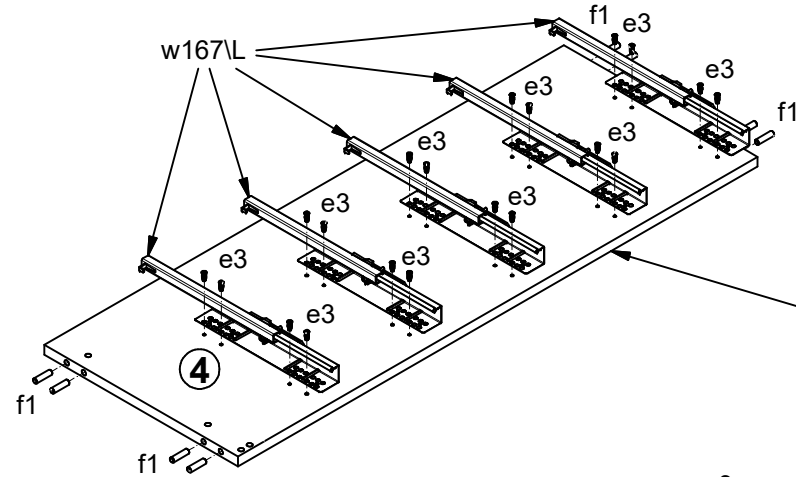
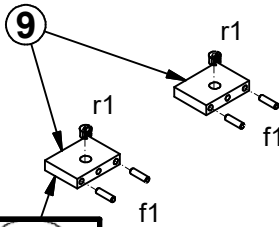
2



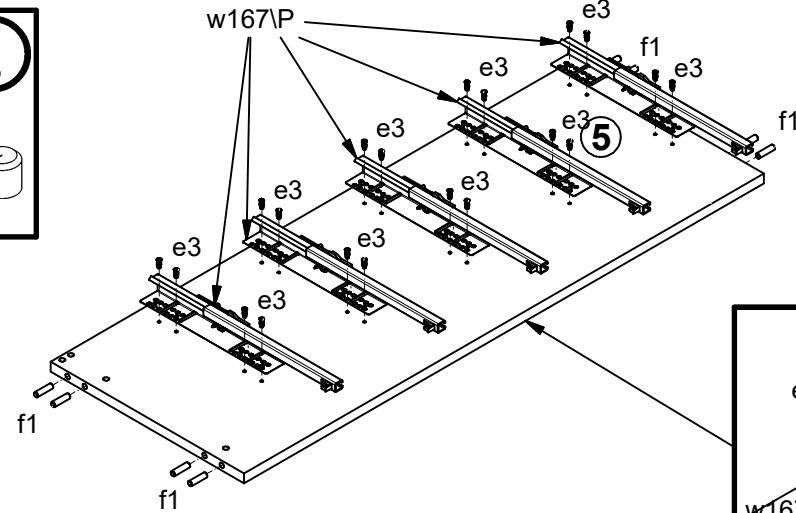
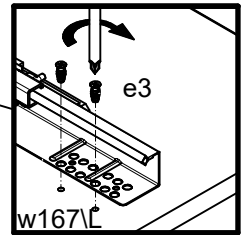
3



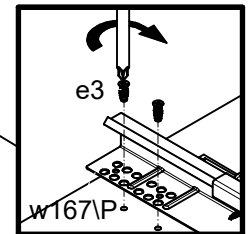
9



4

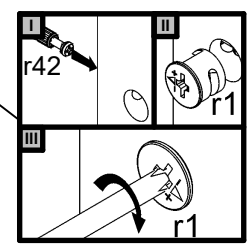
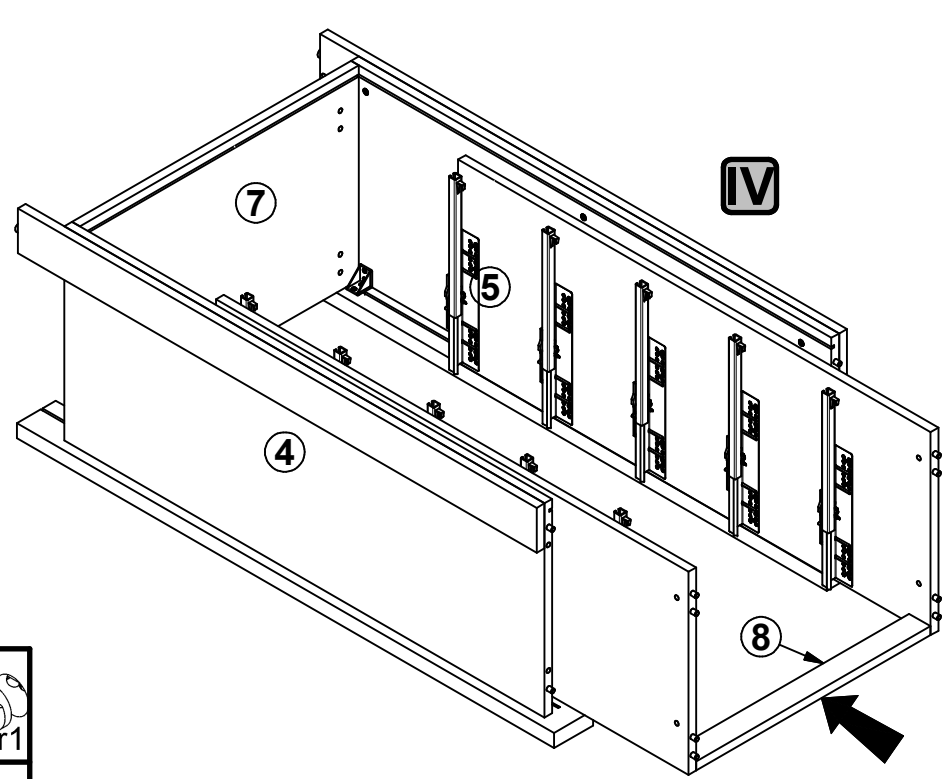
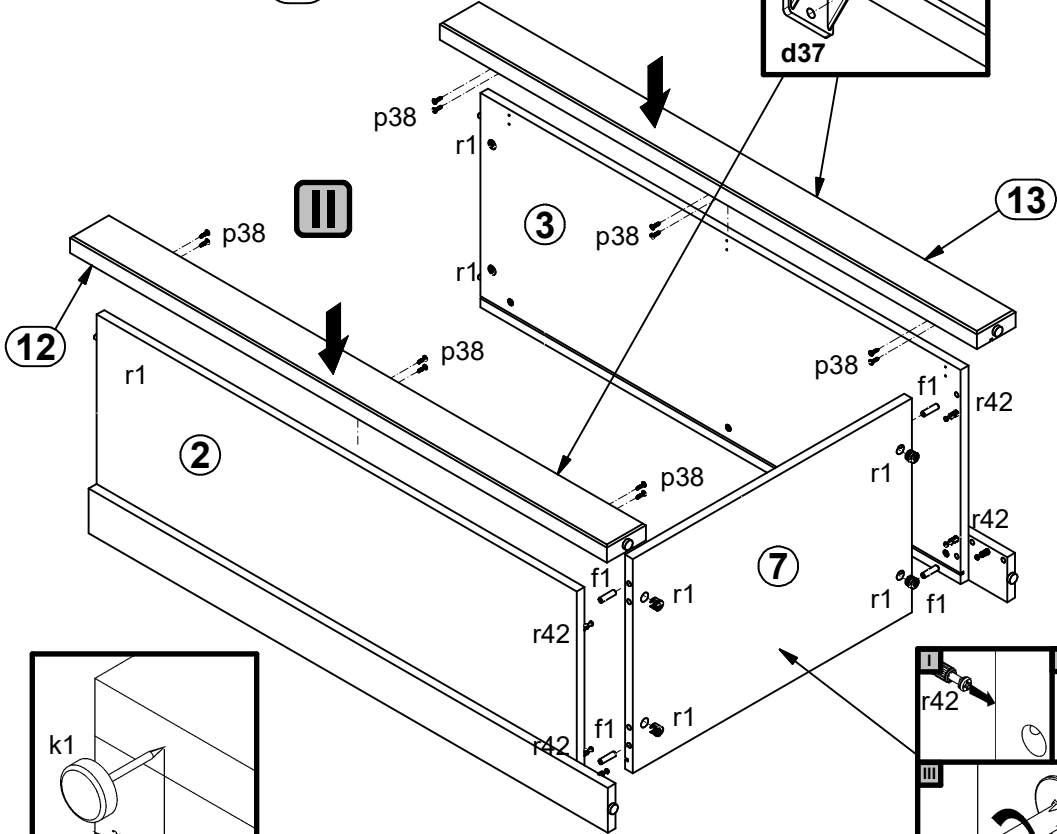
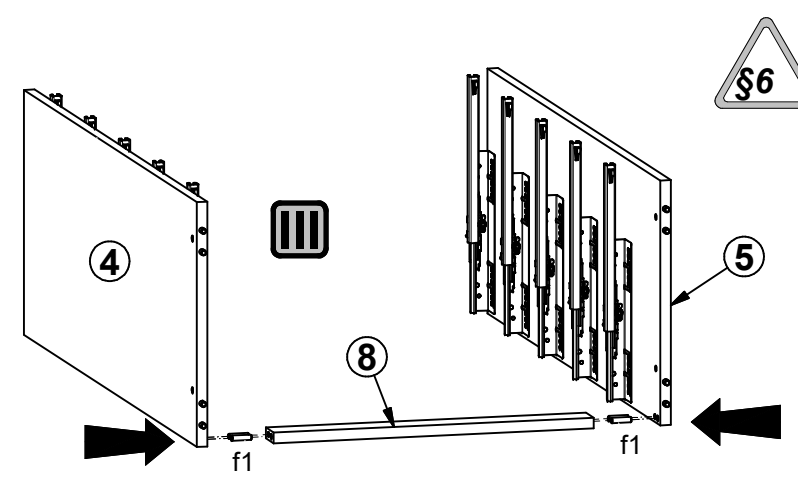
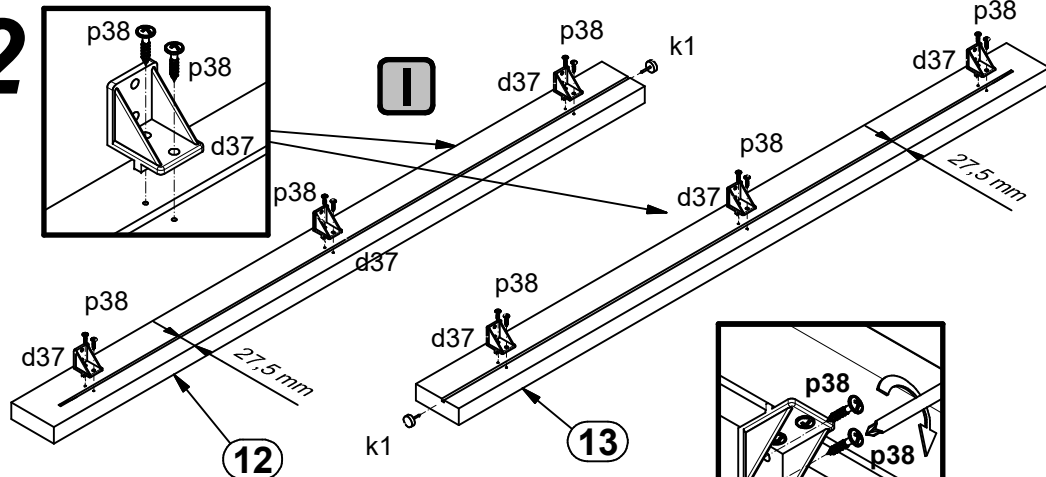
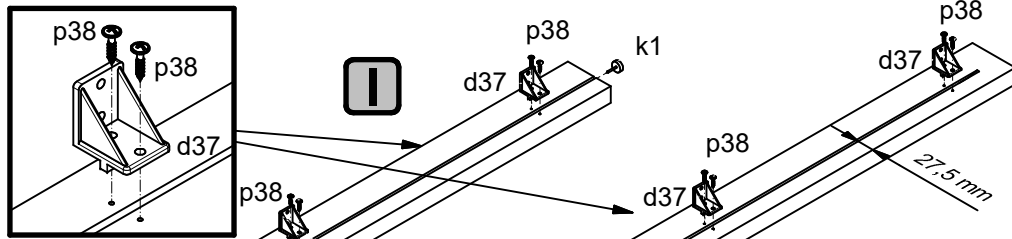



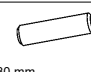
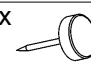

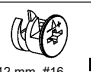
5



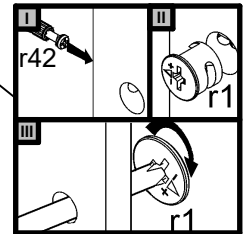
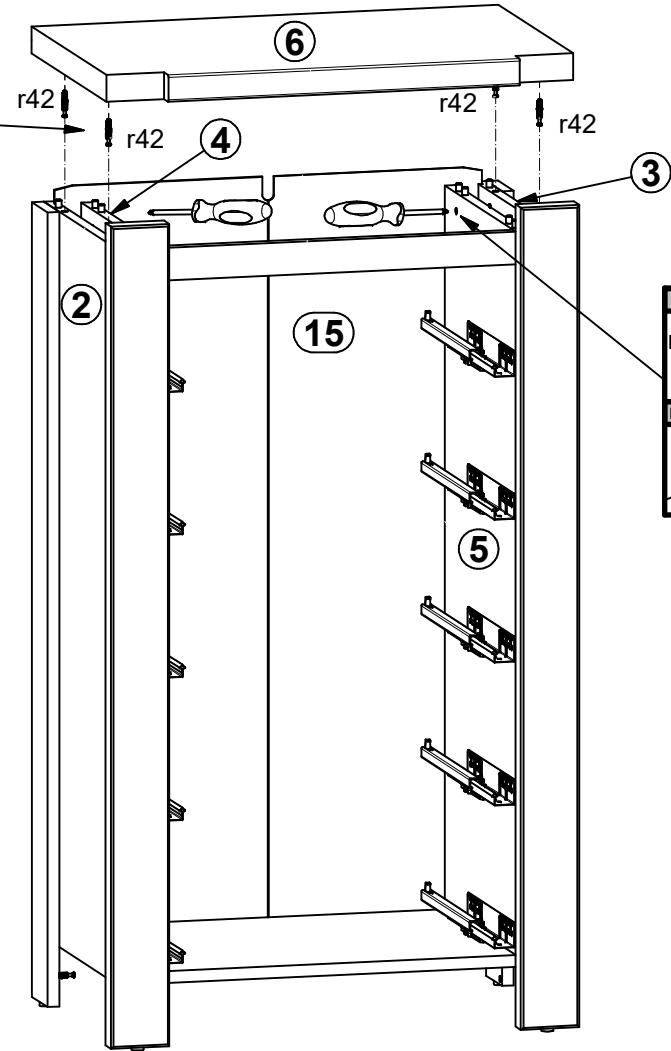
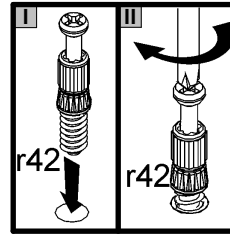
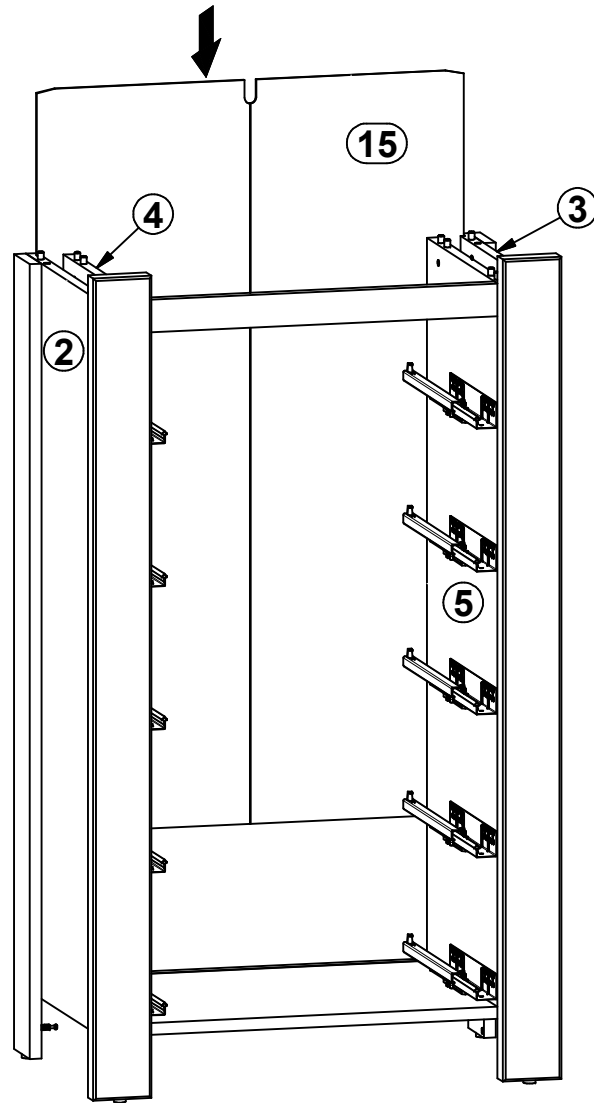
40x Ø6x13 mm e3	6x Ø7x28 mm e22	24x Ø8x30 mm f1	4x Ø8x20 mm f13	2x k1
6x Ø15x12 mm #16 r1	6x 20/11 r42	5x 350mm w167L	5x 350mm w167P	1x 4 mm z1

2

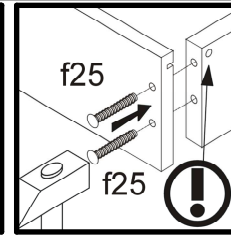
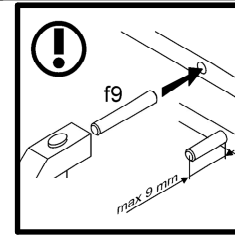
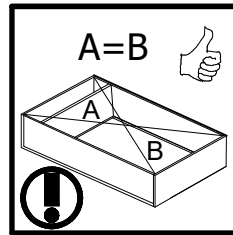
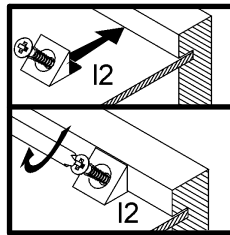


- 6x  **d37**
- 8x  **f1**
Ø8x30 mm
- 2x  **k1**
- 24x  **p38**
Ø3,5x16 mm
- 4x  **r1**
Ø15x12 mm #16

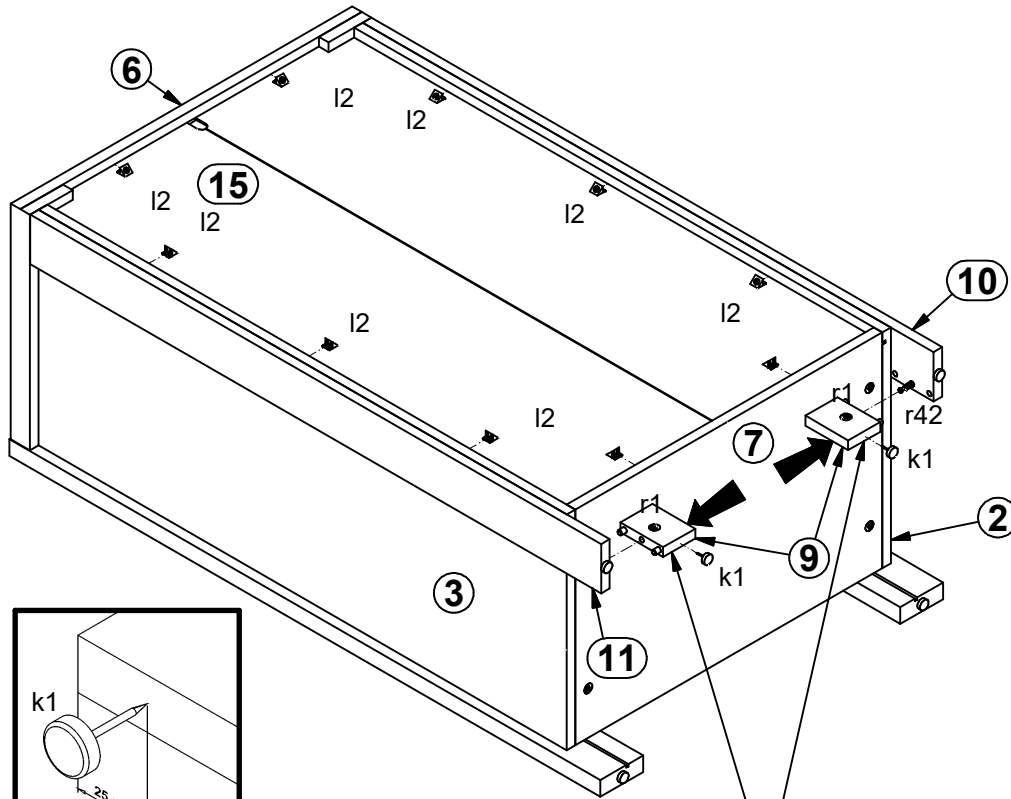
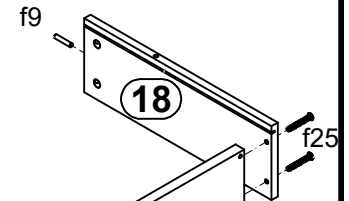
3 §6



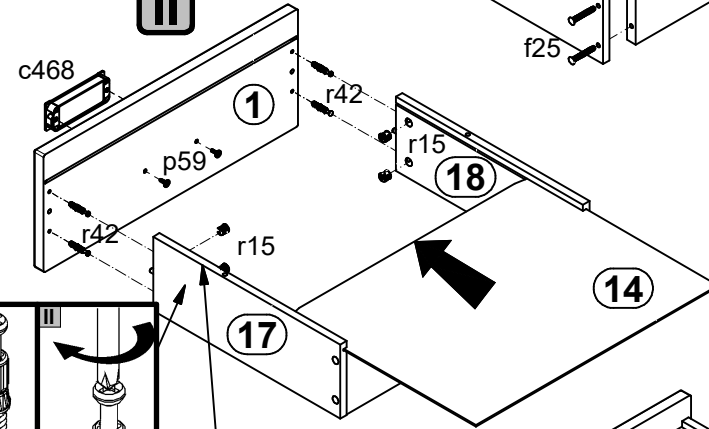
4 



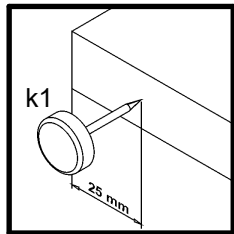
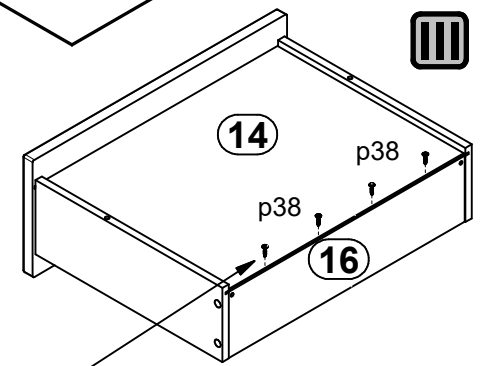
I


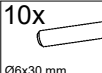

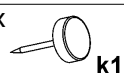
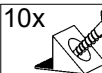

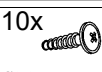




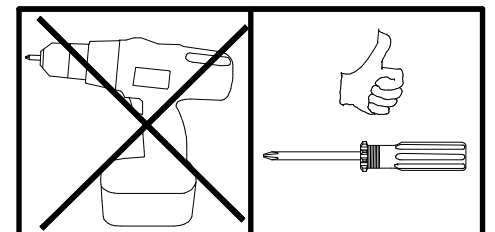
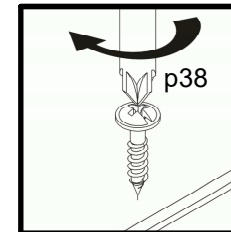
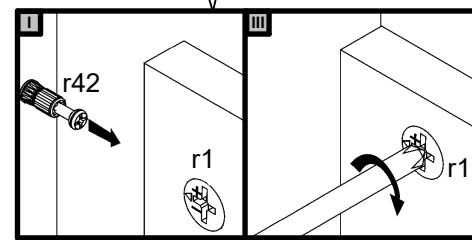
II



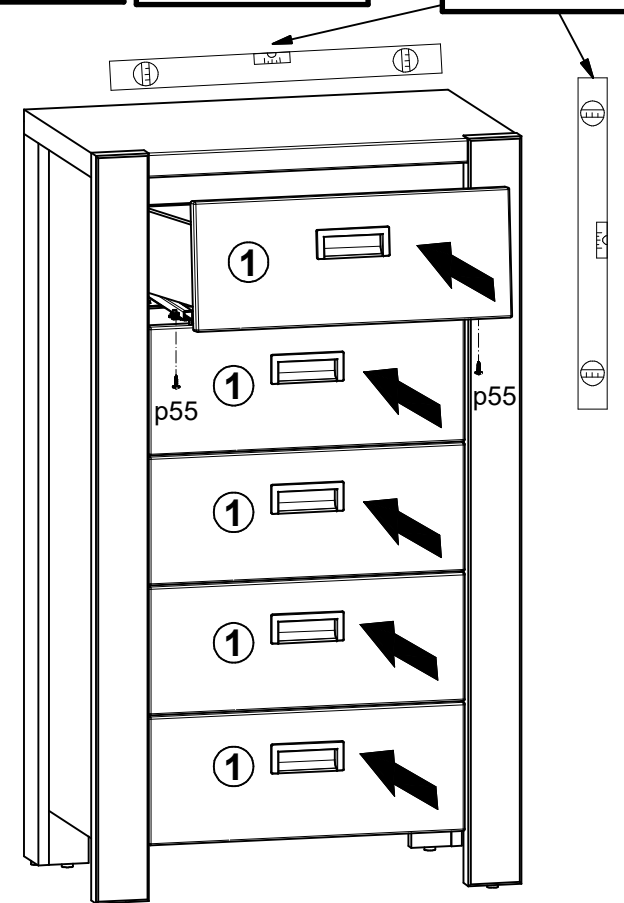
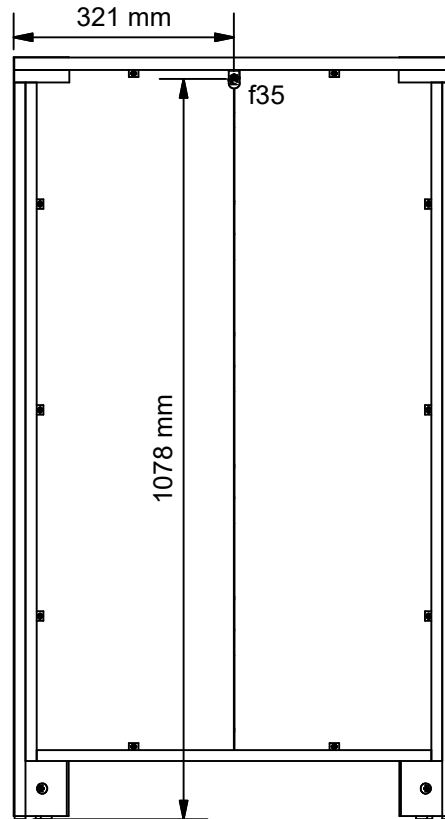
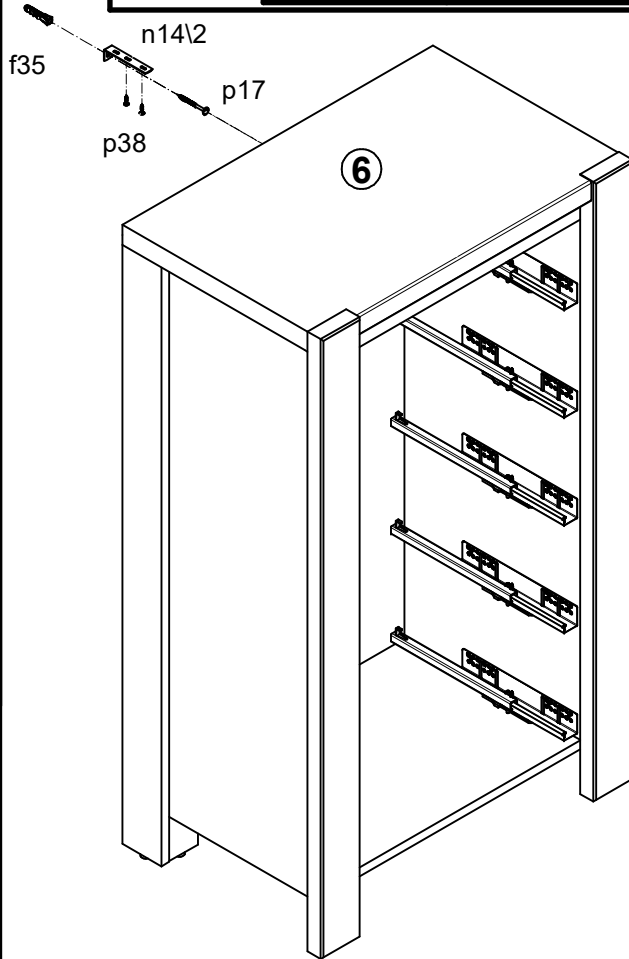
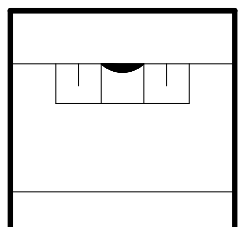
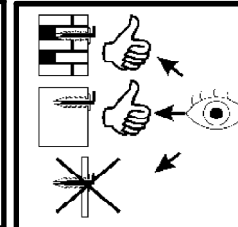
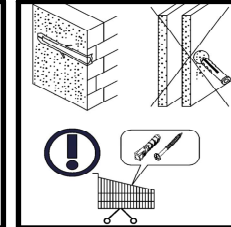
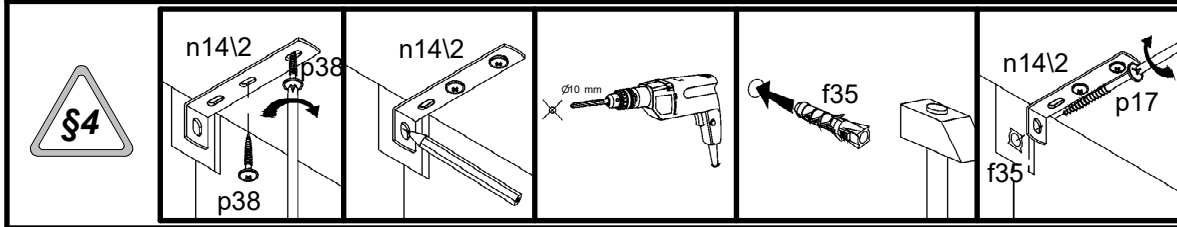
III








- 5x  c468 96 mm
- 10x  f9 Ø6x30 mm
- 20x  f25 Ø6.5x40 mm
- 2x  k1
- 10x  I2
- 20x  p38 Ø3.5x16 mm
- 10x  p59 Ø4x12 mm
- 20x  r15 Ø12x10.5 mm #12
- 20x  r42 20/11



5



- 1x  f35
- 1x  n14/2
- 1x  p17
- 2x  p38
- 10x  p55

