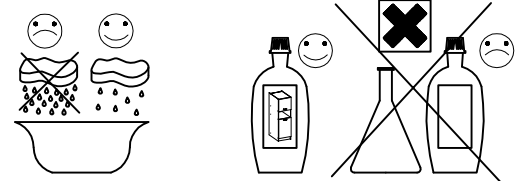
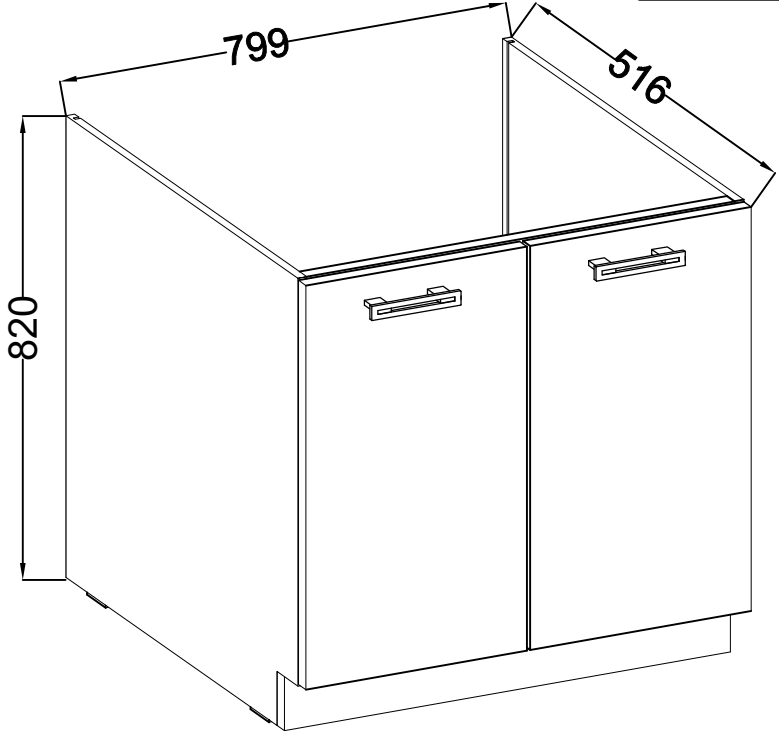
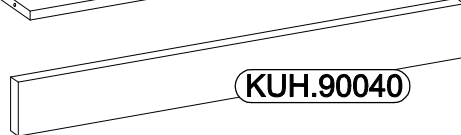
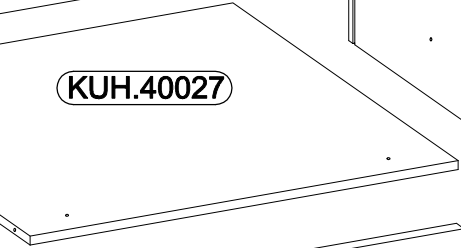
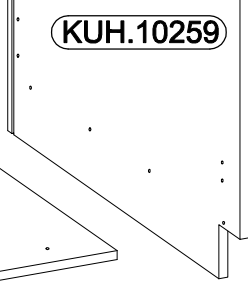
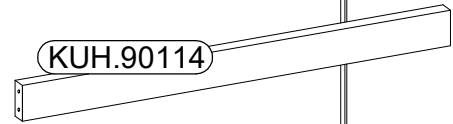
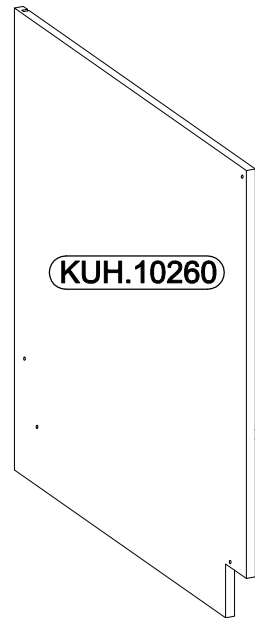
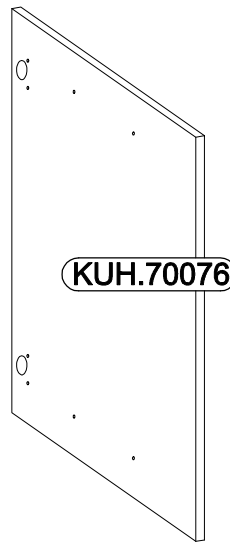
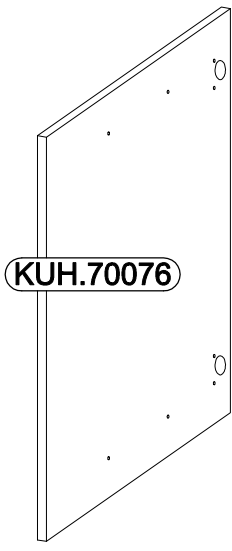
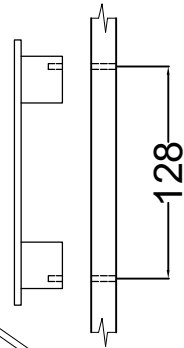
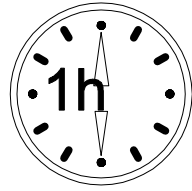


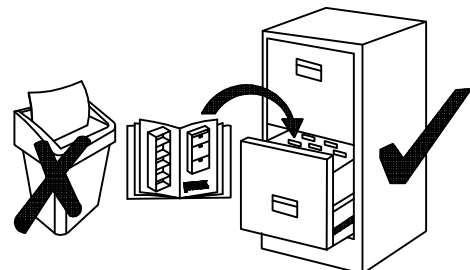
80 ZL 2F BB



max. **KUH.40027**
10kg

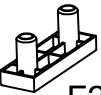
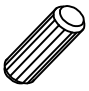
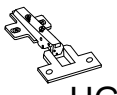



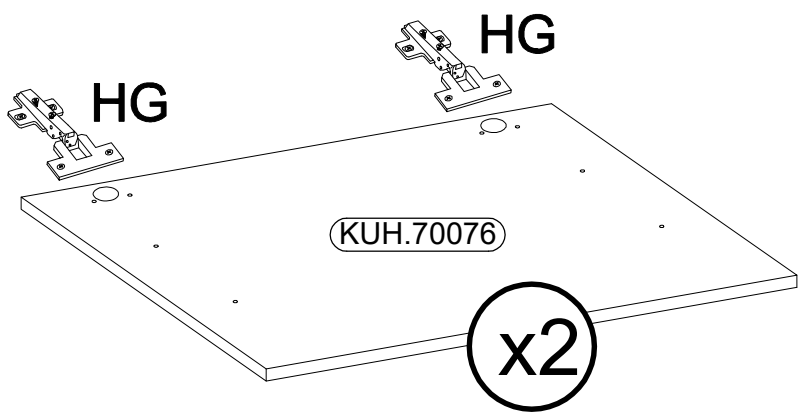
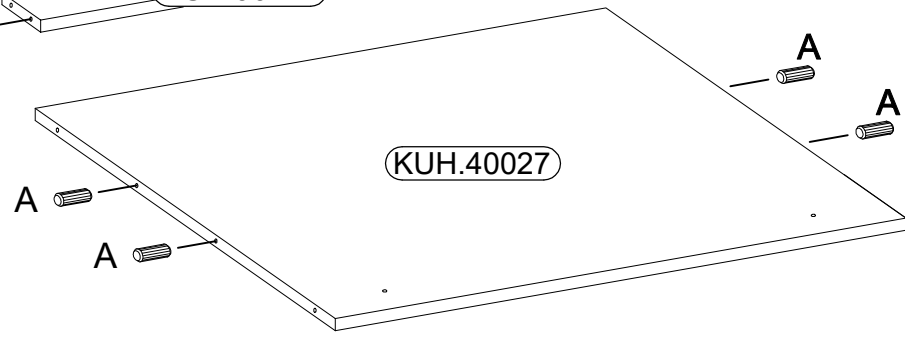
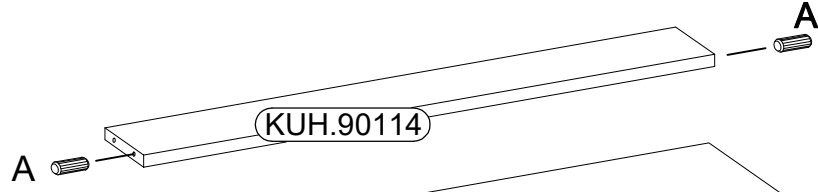
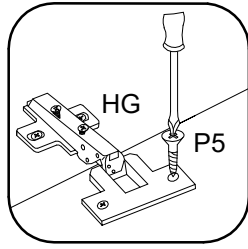
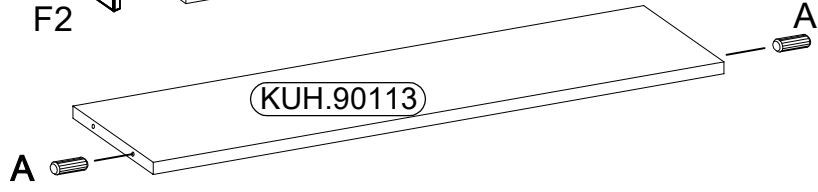
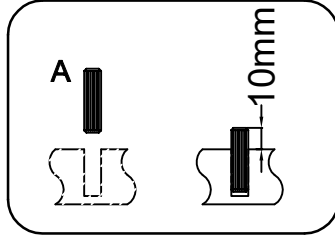
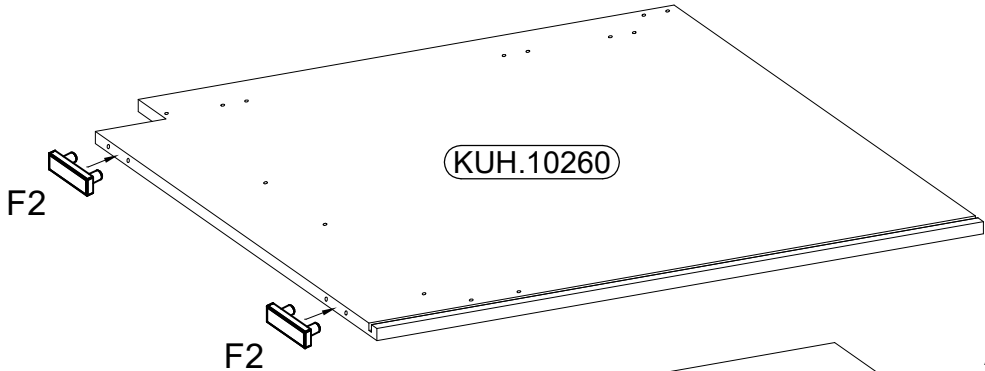
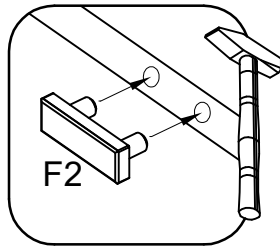
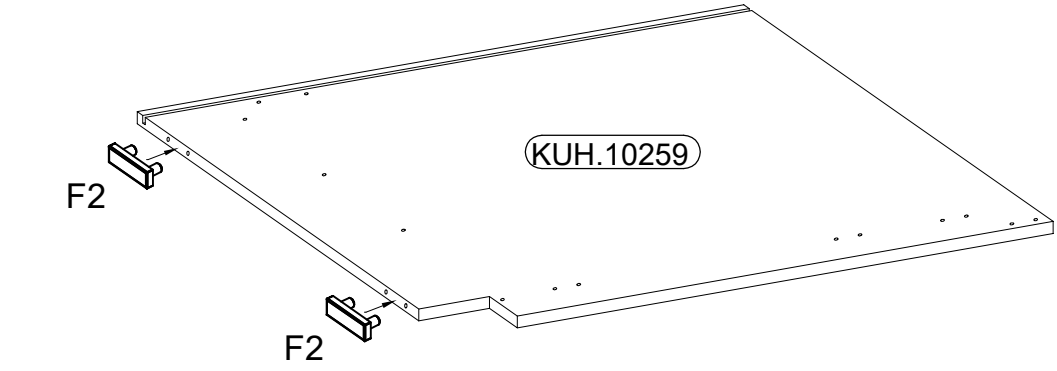
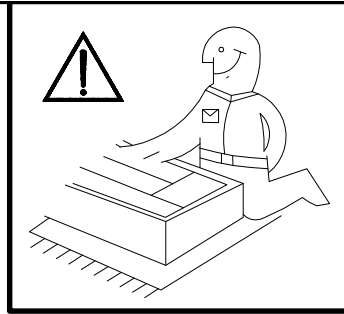
 A 8	 B 8	 E1 8	 E9 2	 F2 4	 HG 4
 O 1	 P4 2	 P5 8	 R2 4	 S 2	





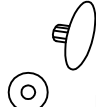
ISM-KUH-01427

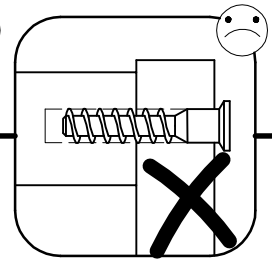
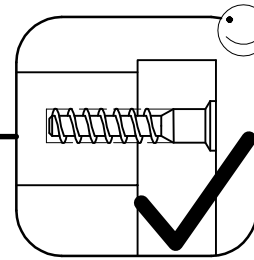
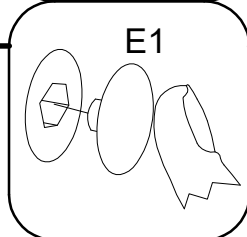
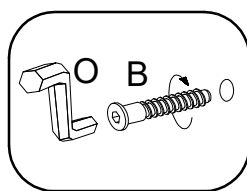
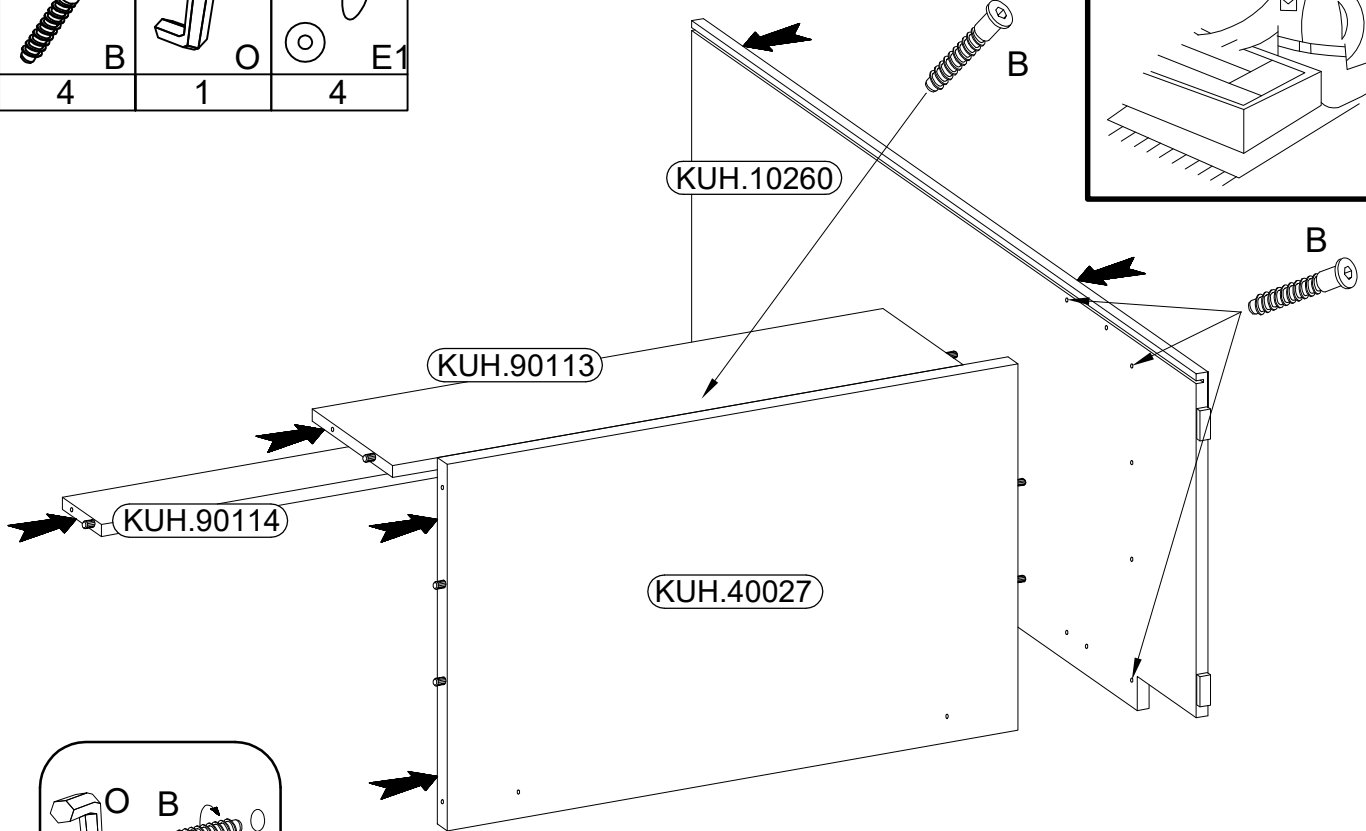
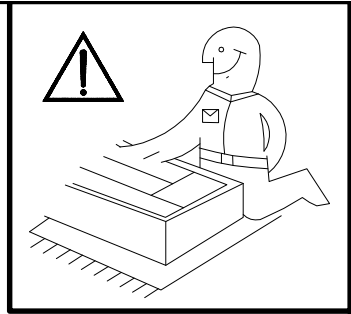
1

6.5x48x16	Ø8x30mm	Ø35/0mm	Ø3.5x13mm
			
F2	A	HG	P5
4	8	4	8

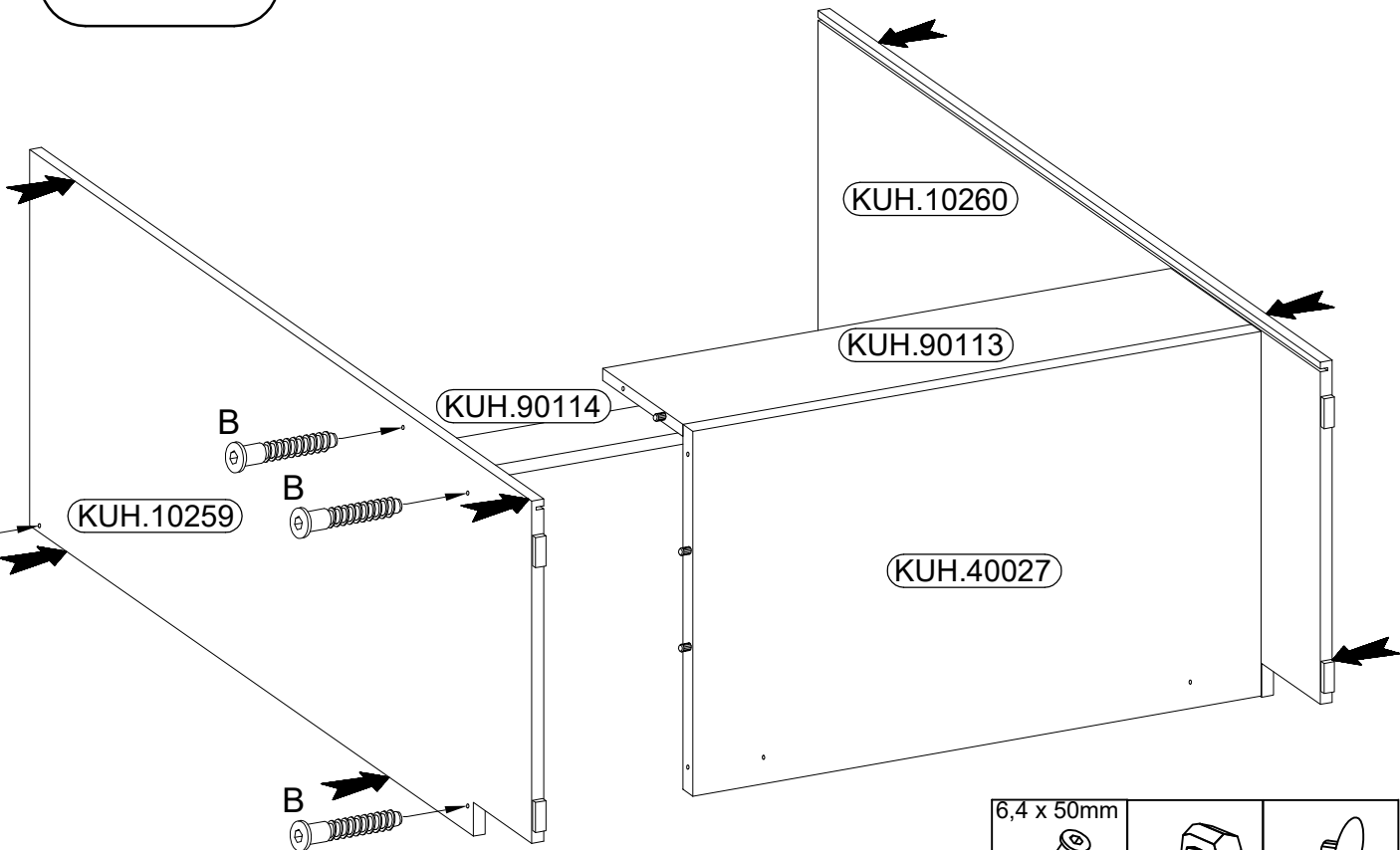


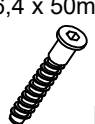
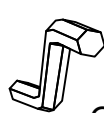

2

6,4 x 50mm		
		
B	O	E1
4	1	4





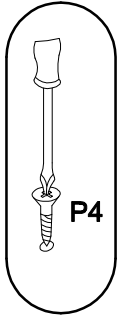
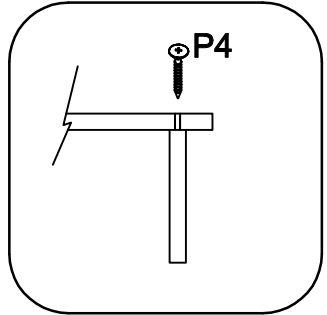
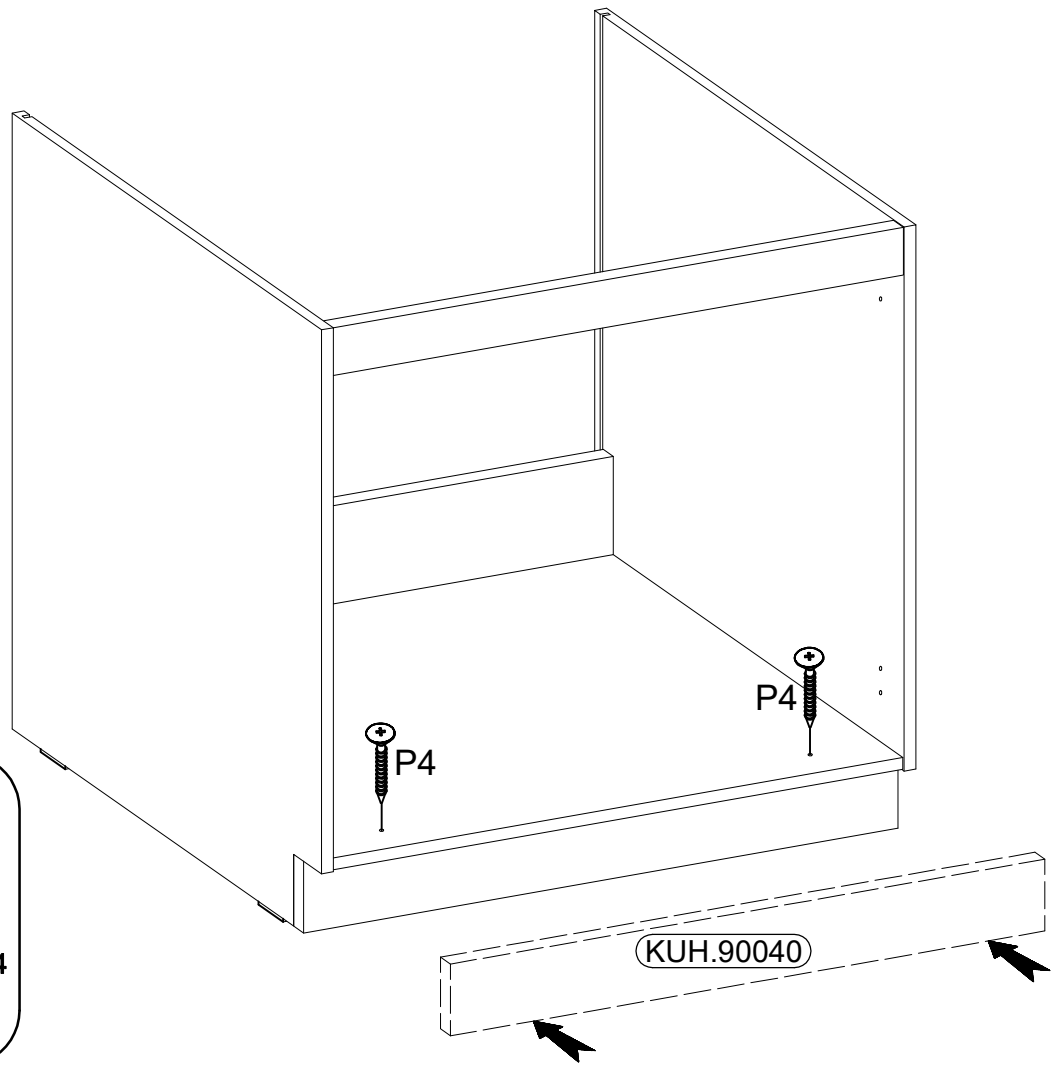
3



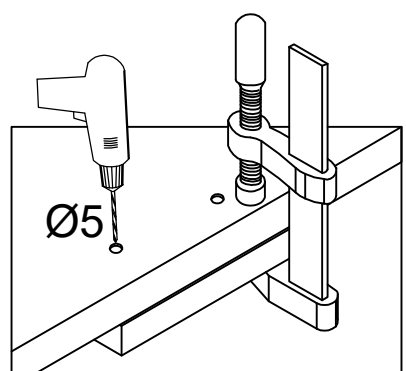
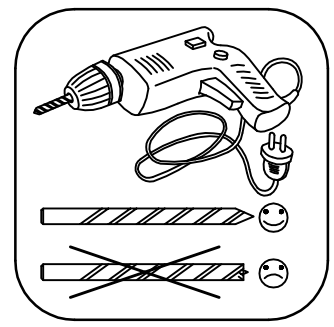
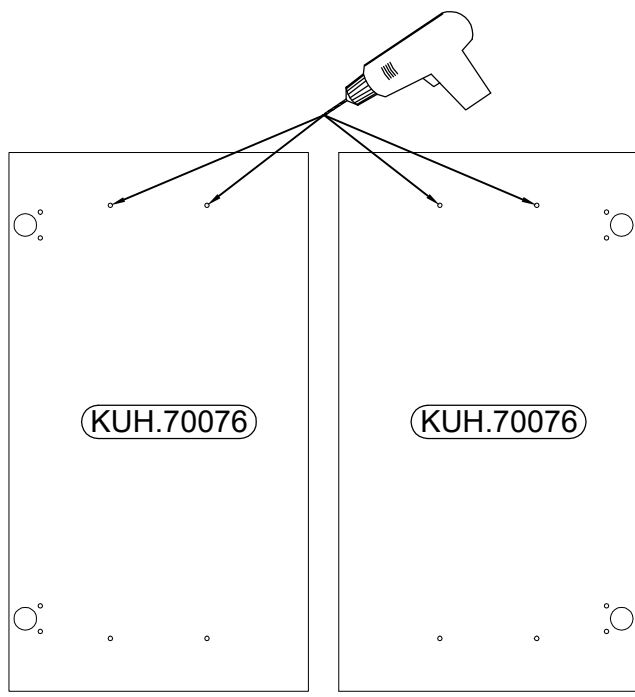
6,4 x 50mm		
		
B	O	E1
4	1	4

4


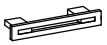
Ø4.0x45mm	
	E9
2	2

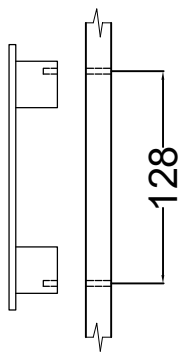
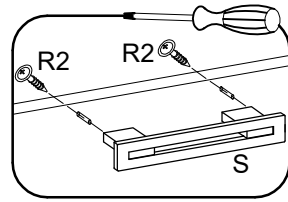
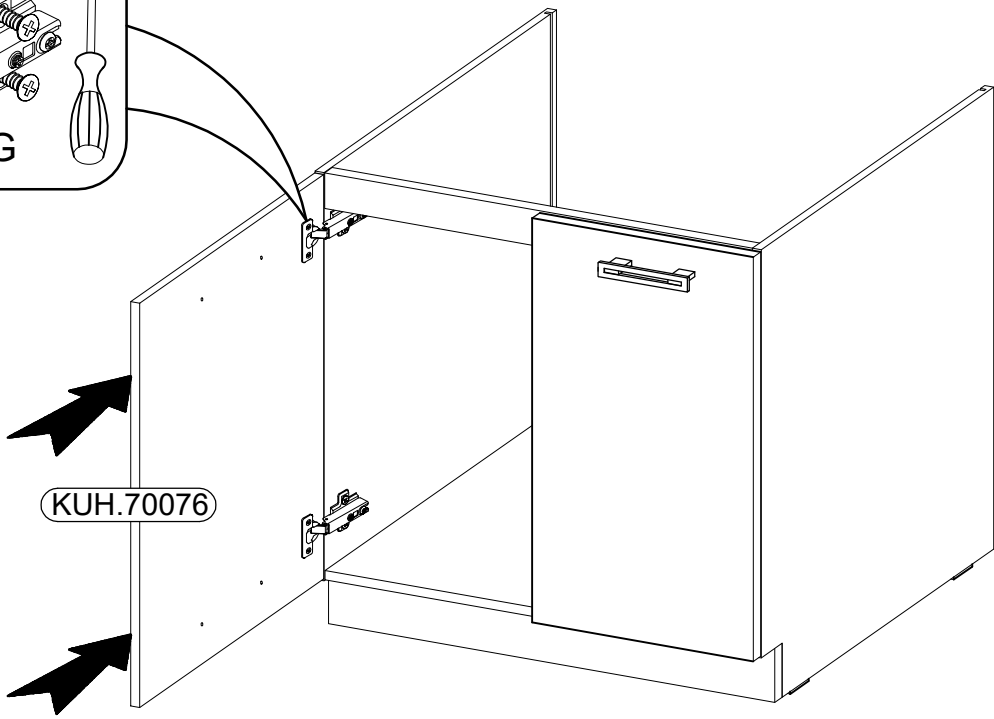
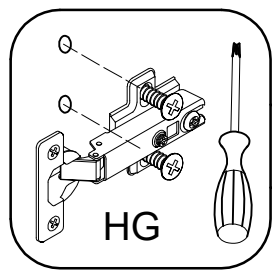
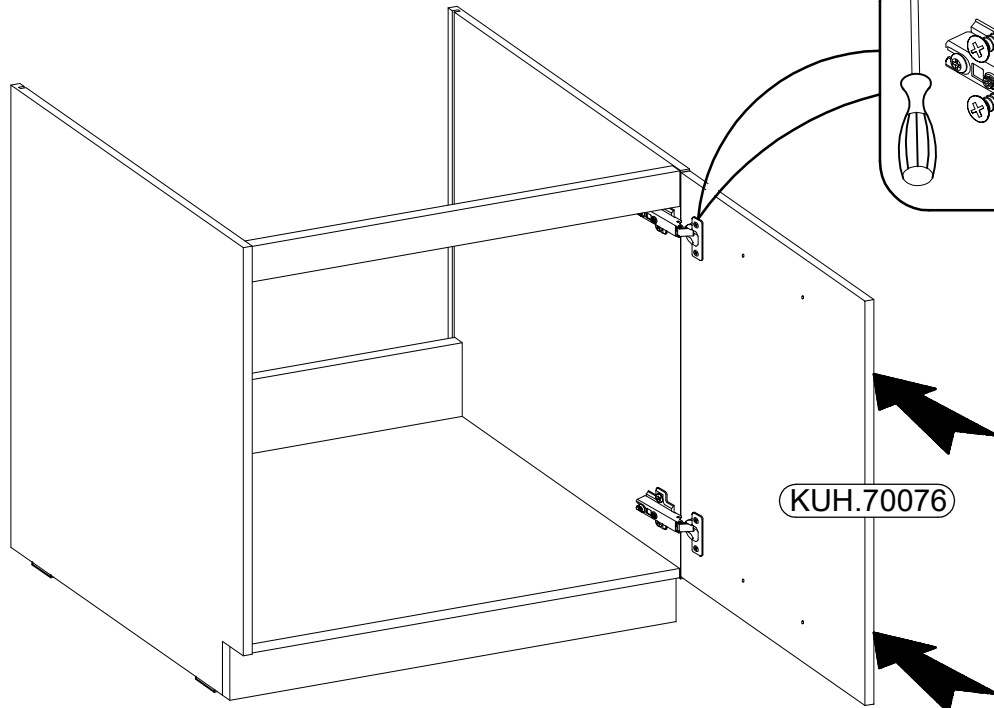
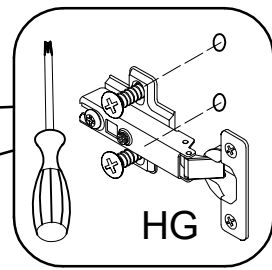


5



6

Ø4.0x30mm	
	
R2	S
4	2



VARIANT HIGH GLOSS

