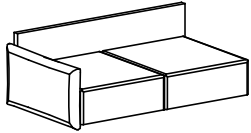
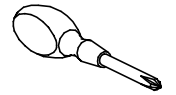
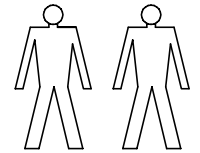
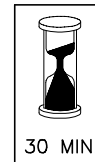
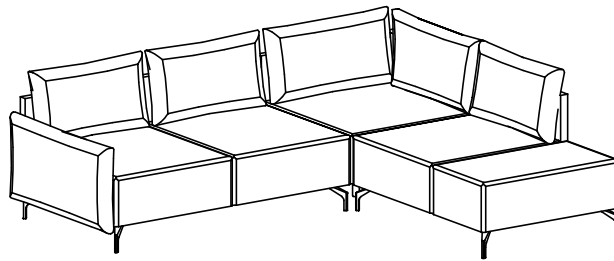
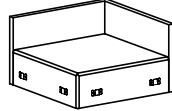


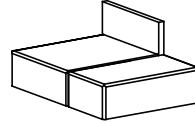
BELLA



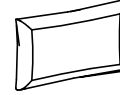
A - 1 St.



B - 1 St.



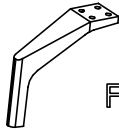
C - 1 St.



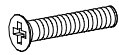
D - 4 St.



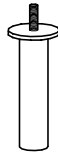
E - 1 St.



F - 6 St.
15,5cm

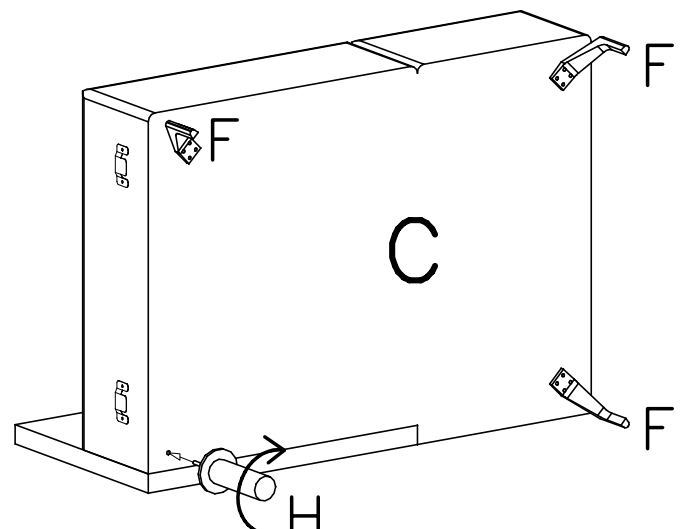
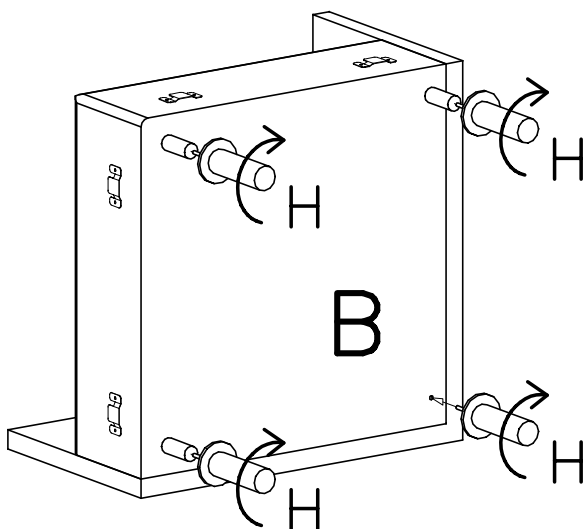
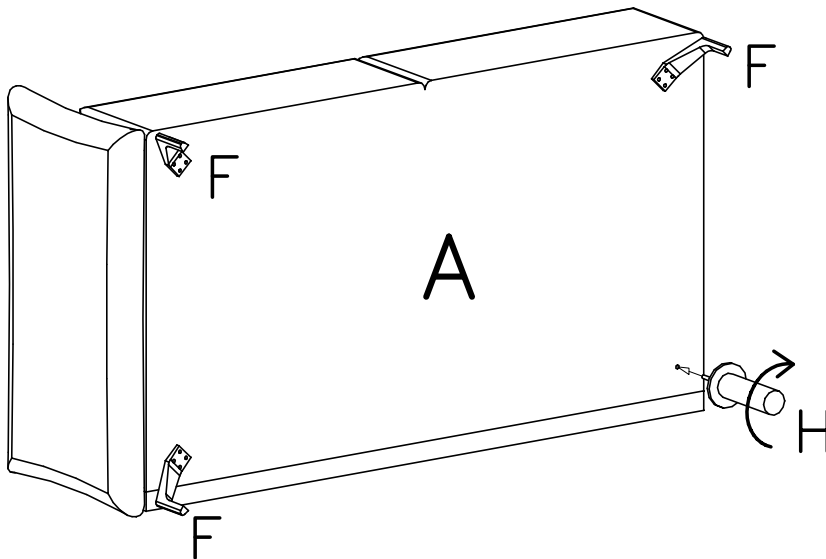


G - 24 St.
M6 x 30

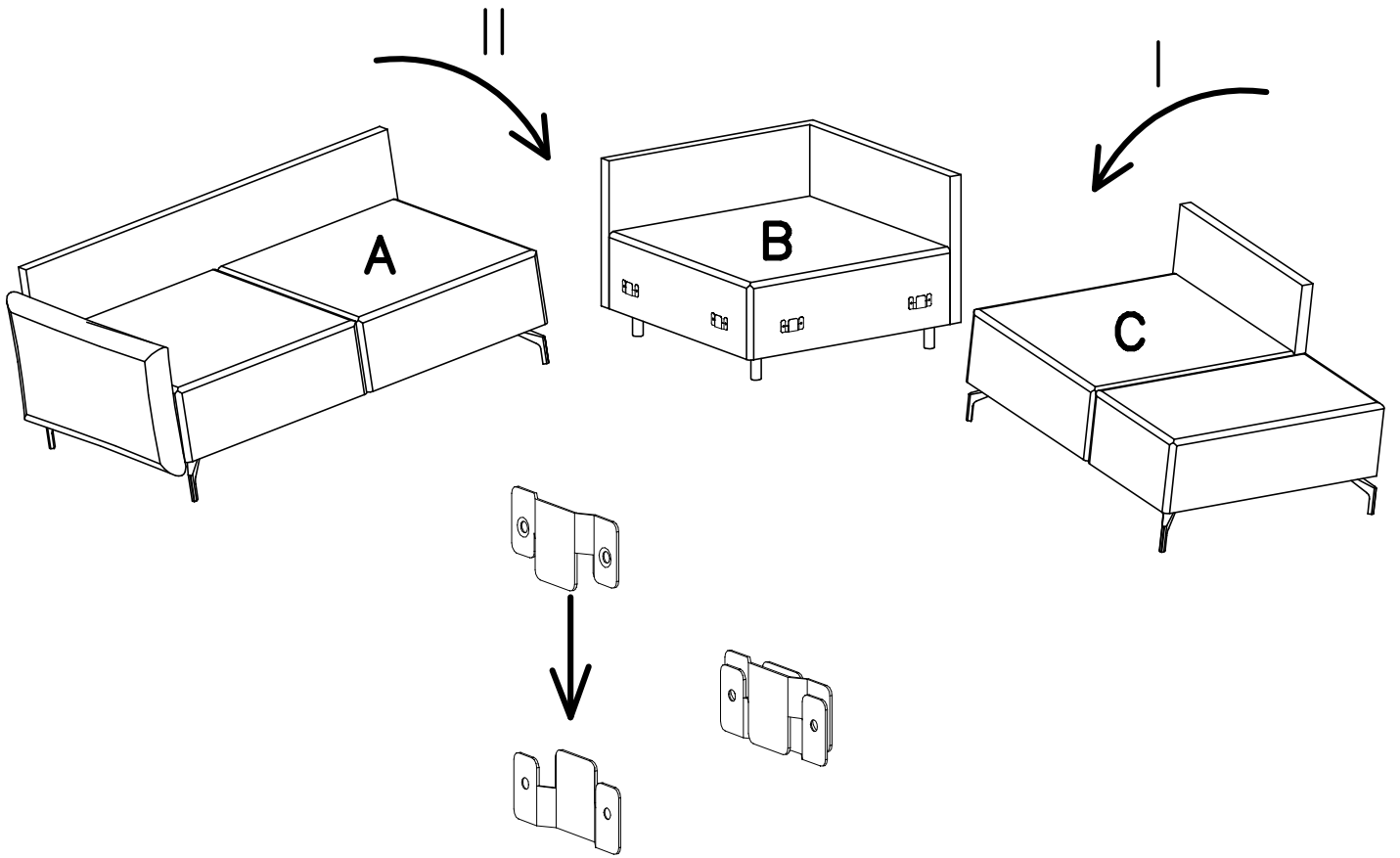


H - 6 St.
15cm

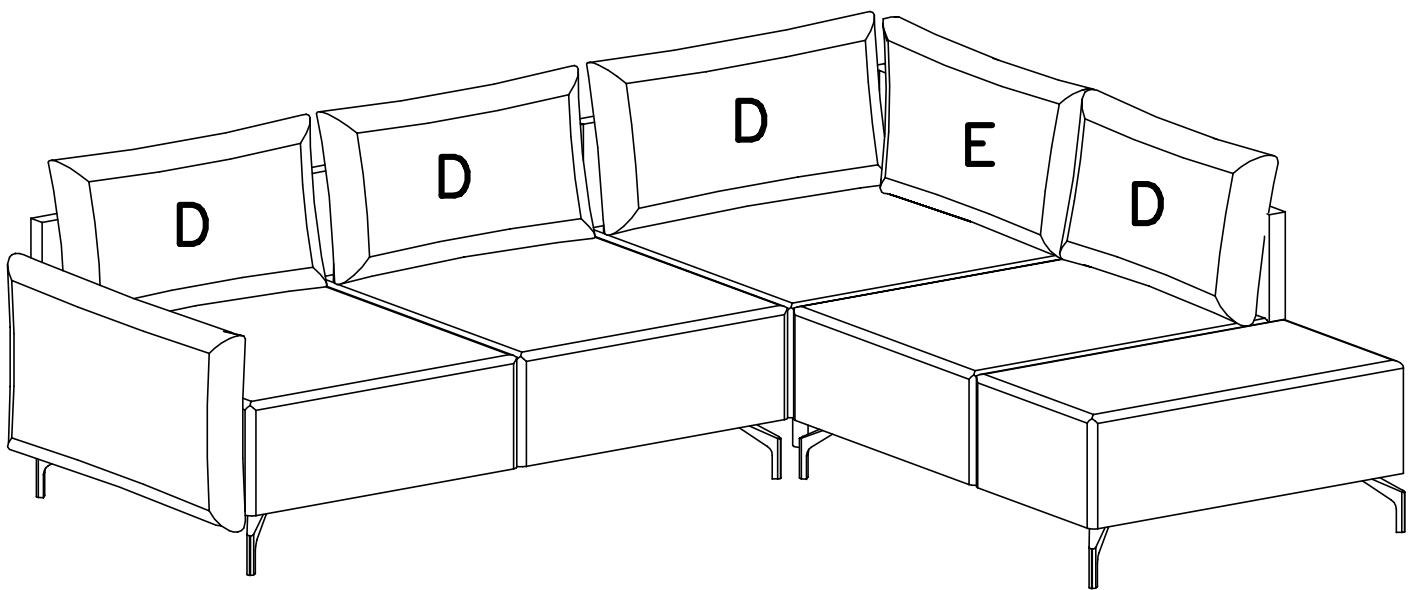
I



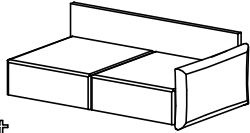
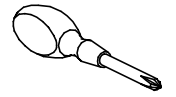
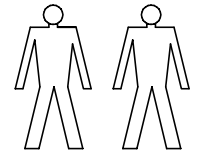
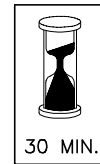
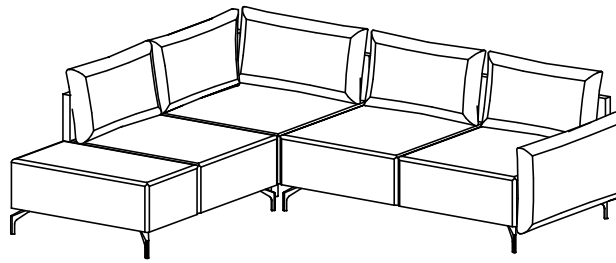
II



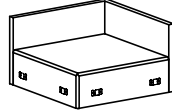
III



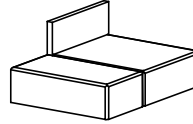
BELLA



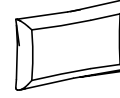
A - 1 St.



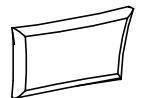
B - 1 St.



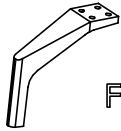
C - 1 St.



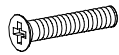
D - 4 St.



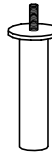
E - 1 St.



F - 6 St.
15,5cm

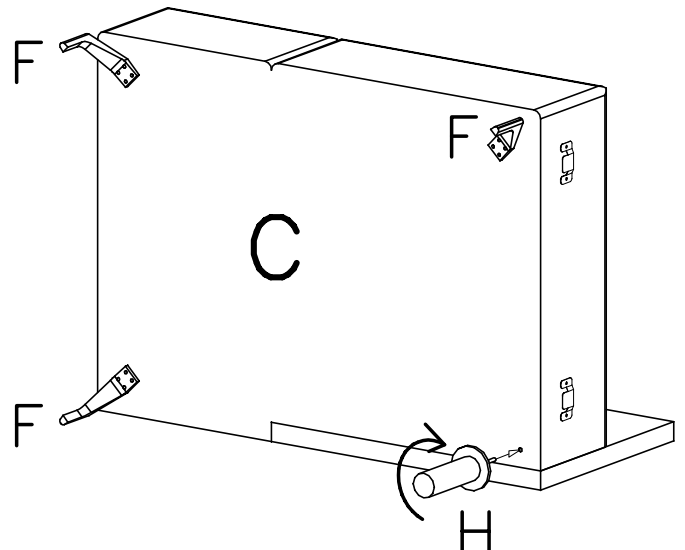
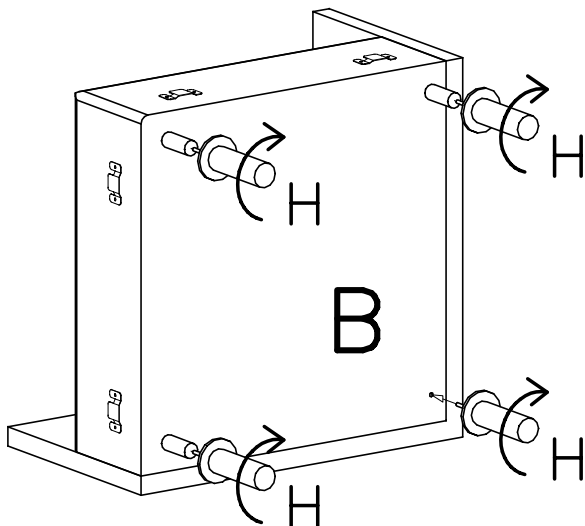
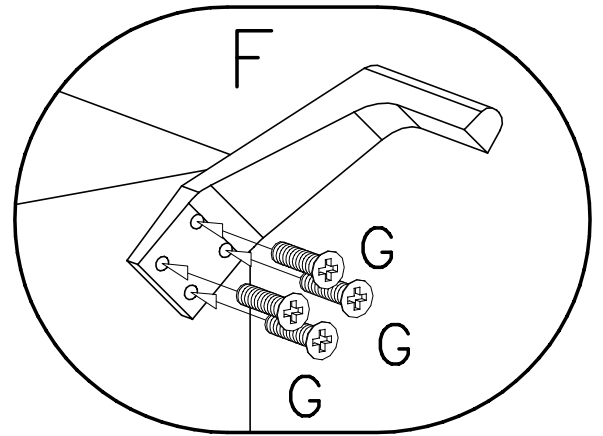
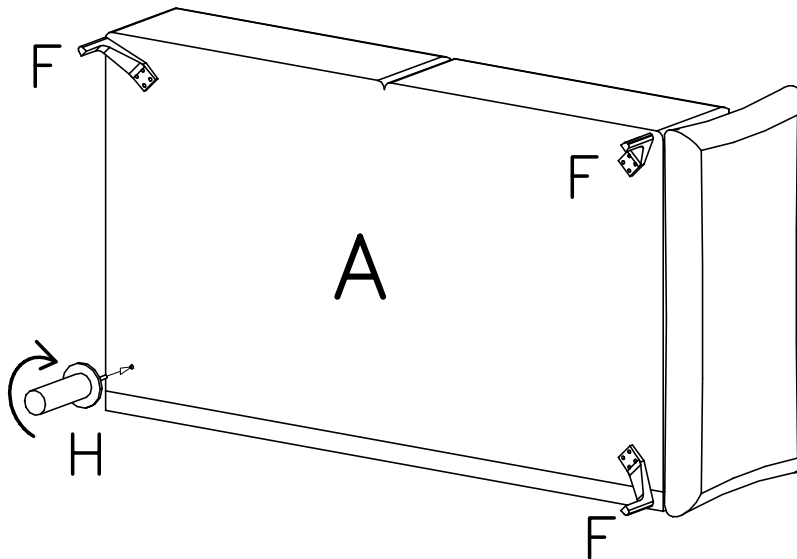


G - 24 St.
M6 x 30

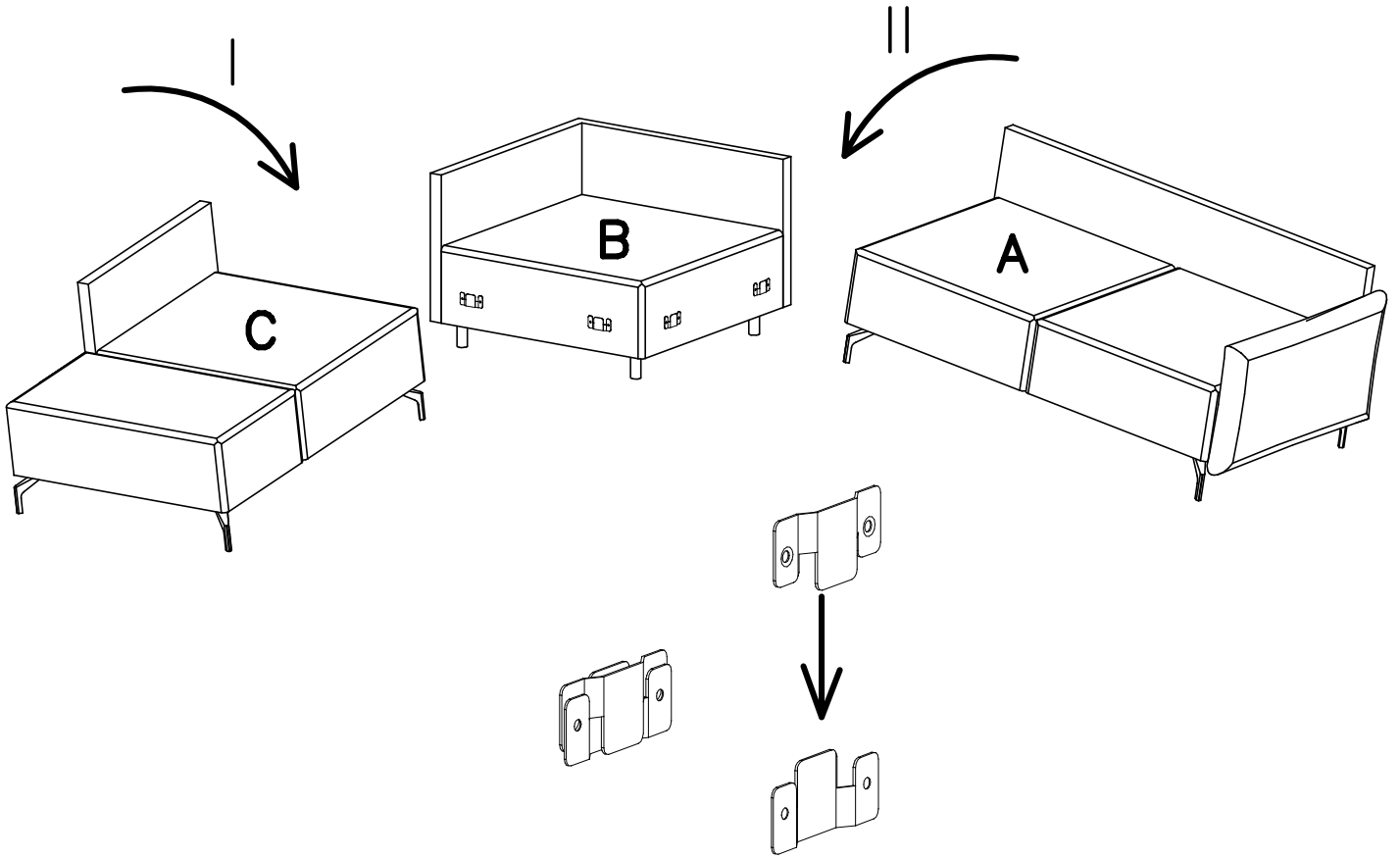


H - 6 St.
15cm

I



II



III

