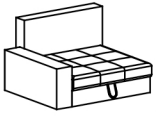
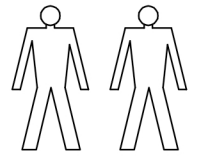
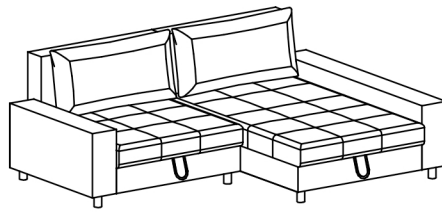


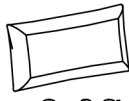
KEVIN



A - 1 St.



B - 1 St.



C - 2 St.

D - 6 St.
8cm

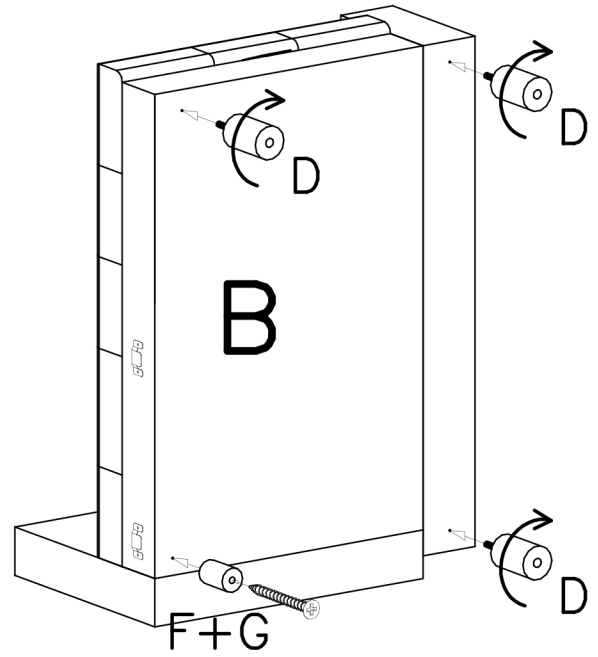
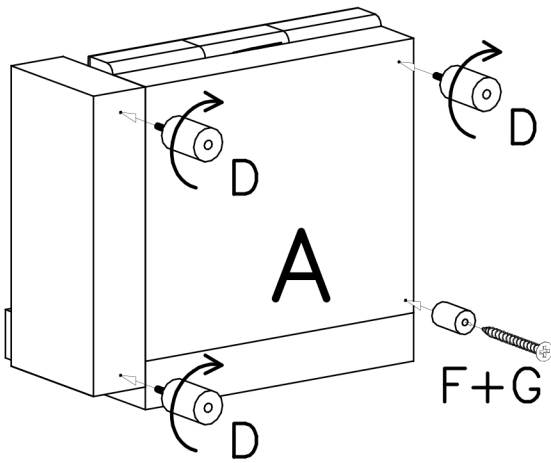


F - 2 St.
8cm

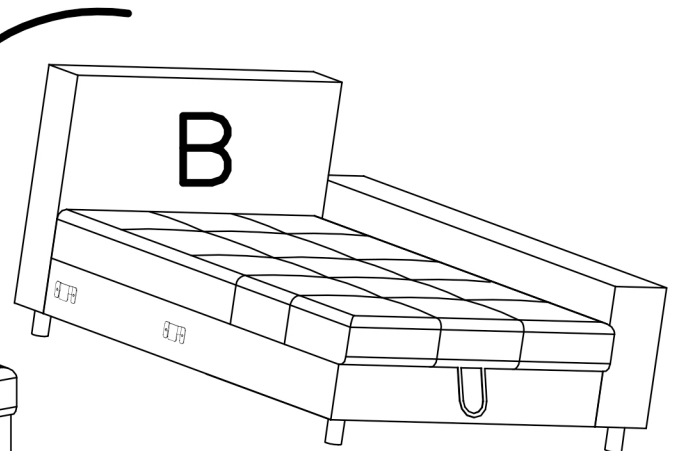
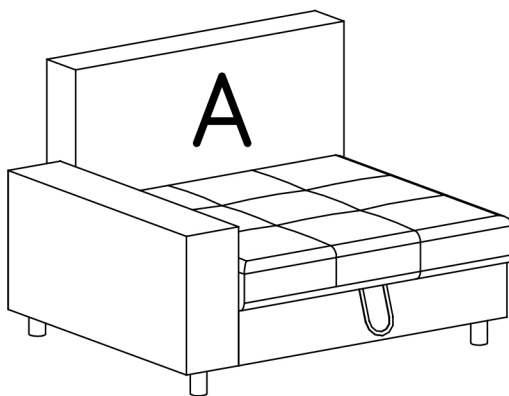
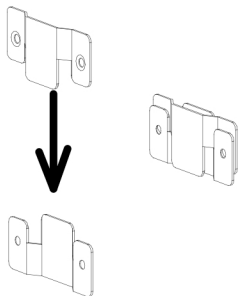


G - 2 St.
5x50

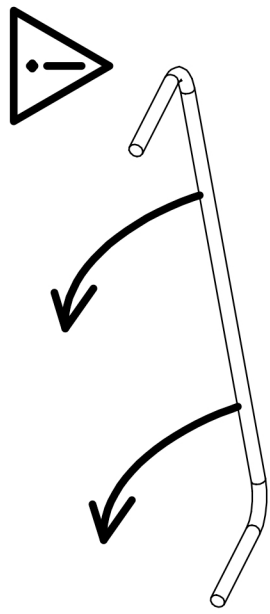
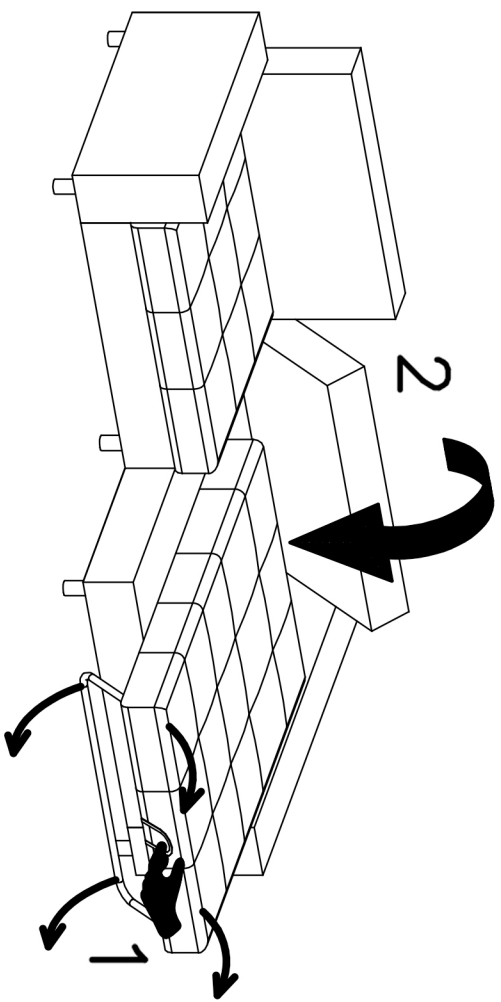
I



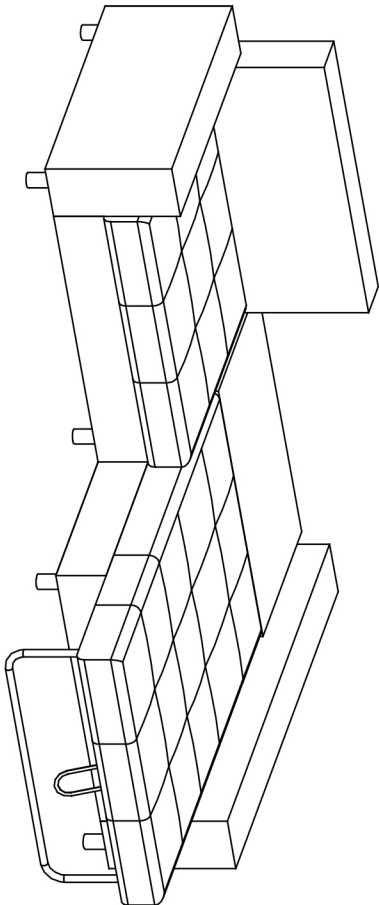
II



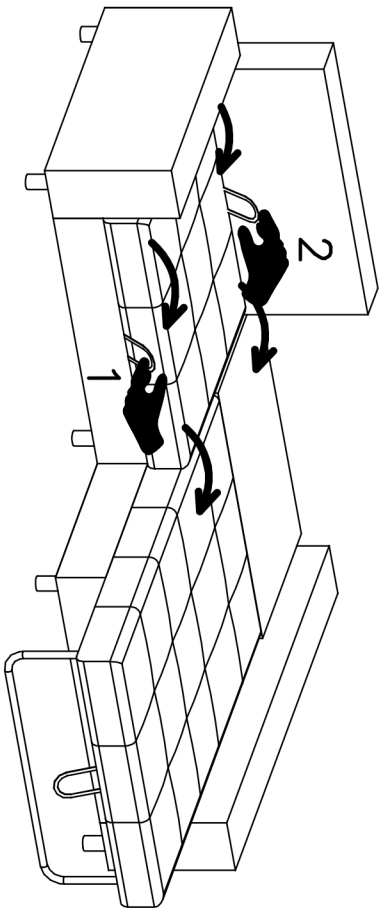
III



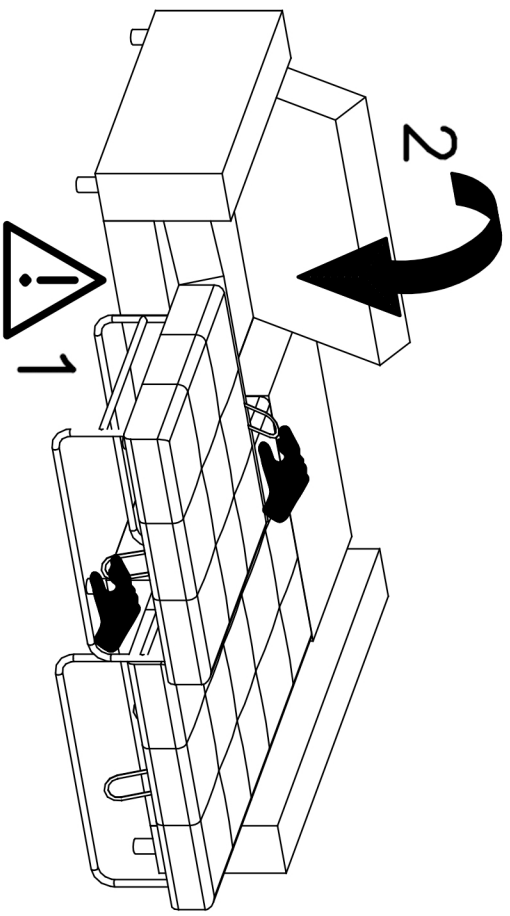
IV



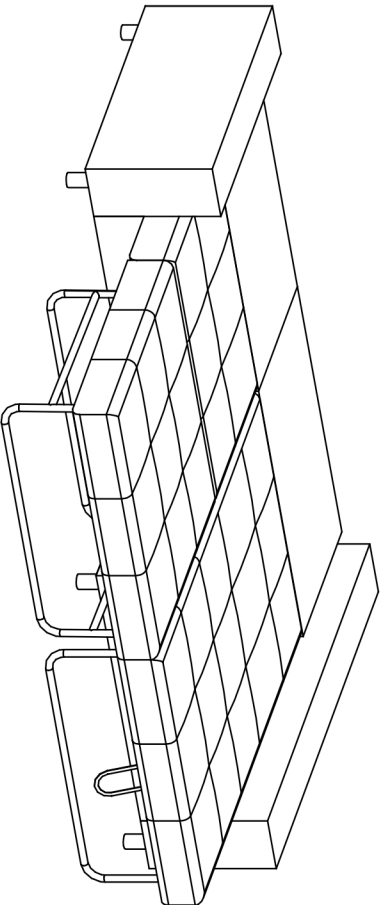
V



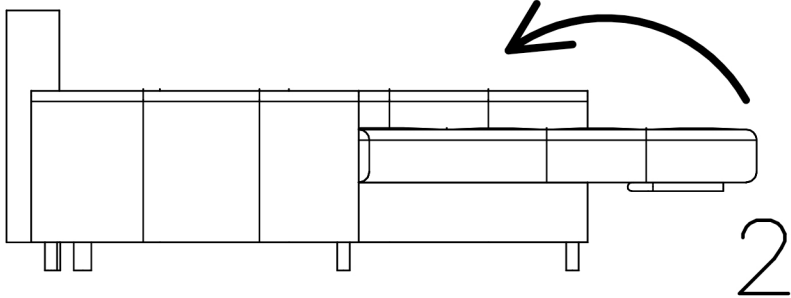
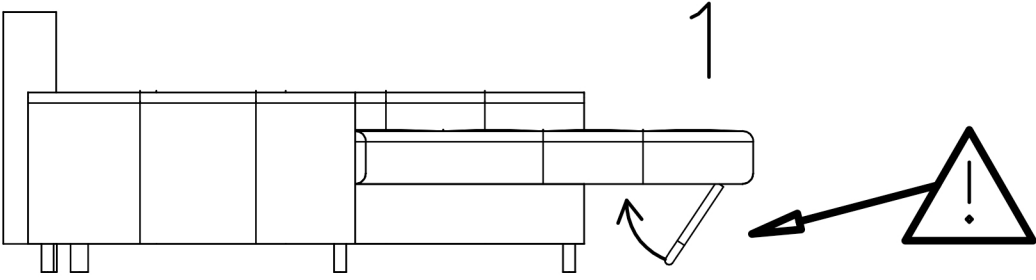
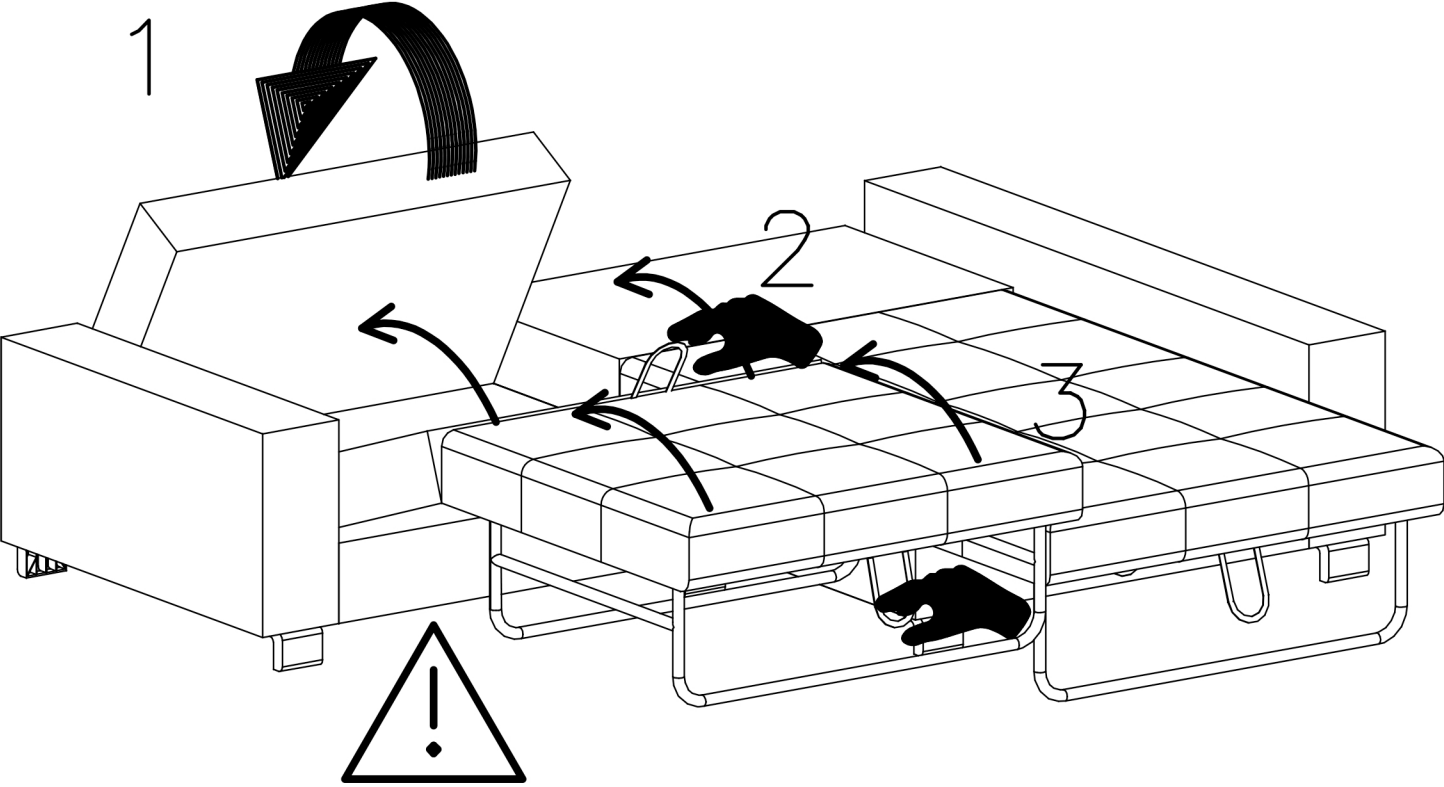
VI



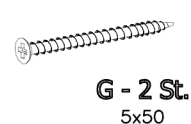
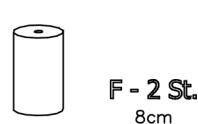
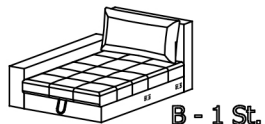
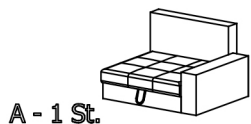
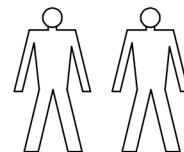
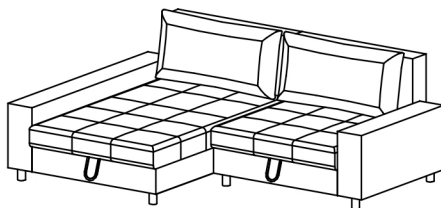
VII



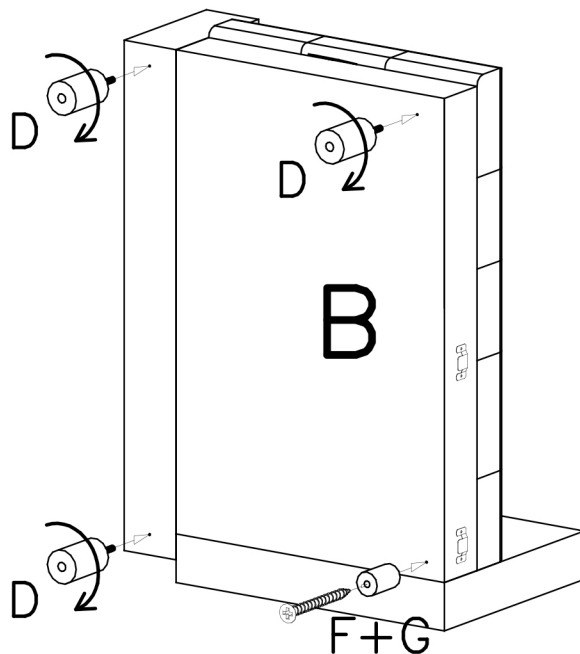
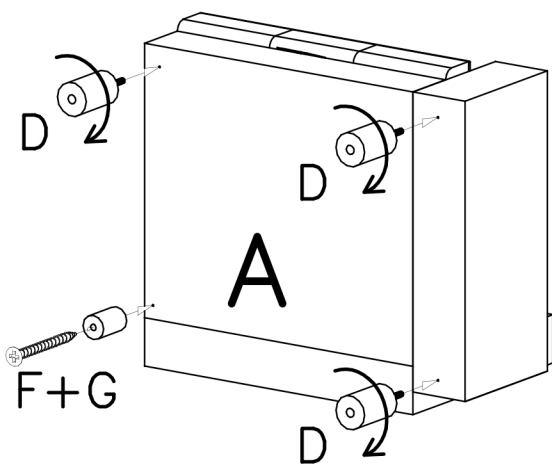
CLOSING



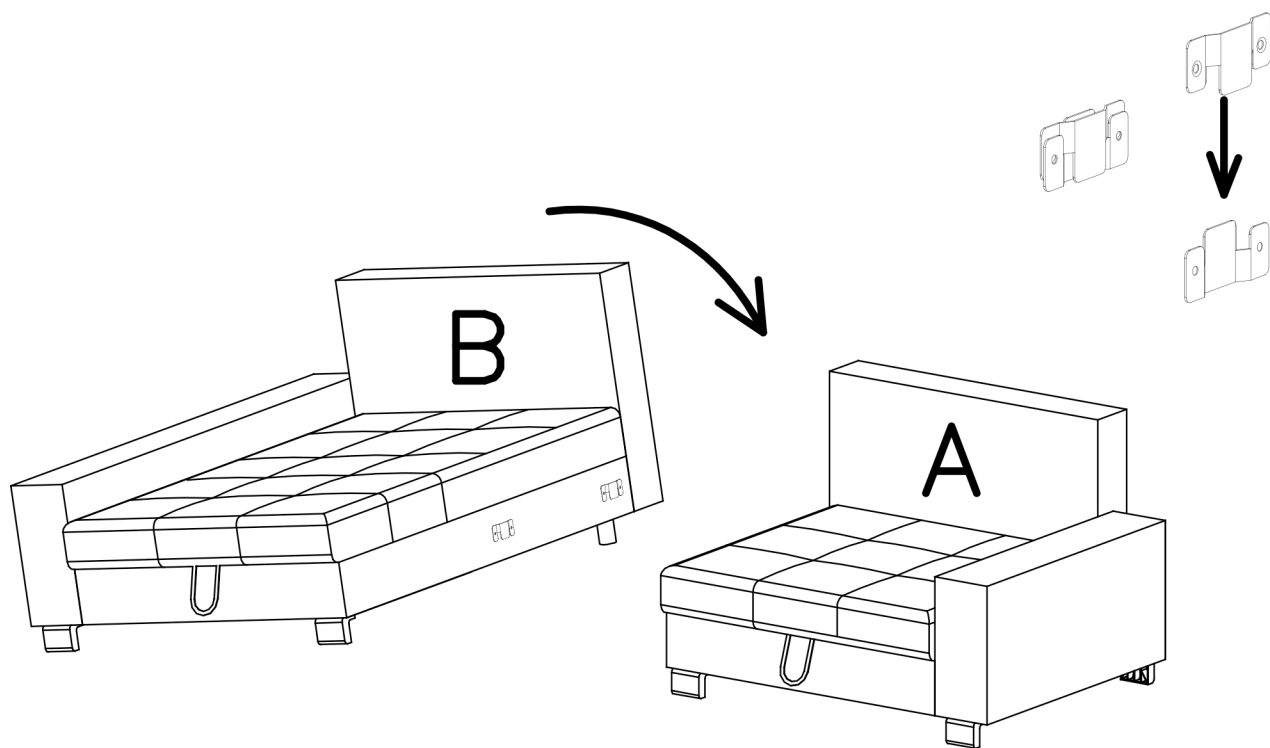
KEVIN



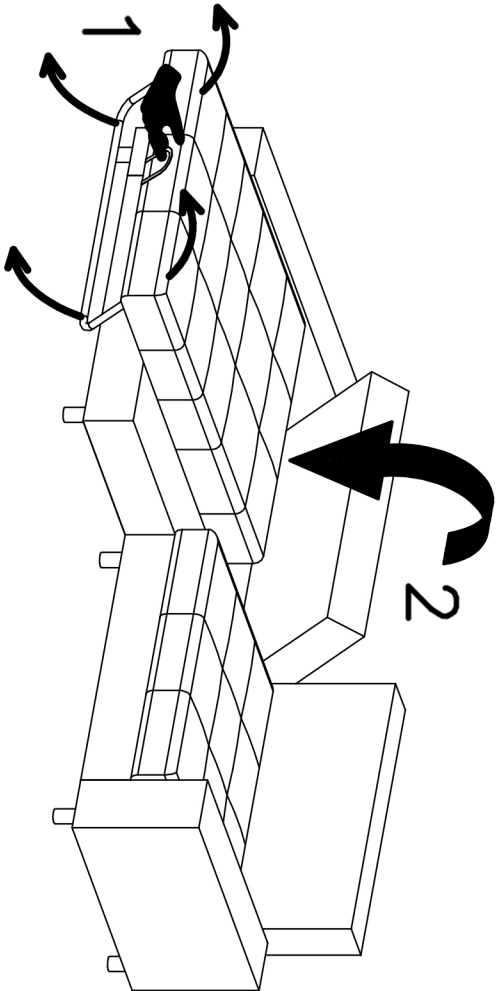
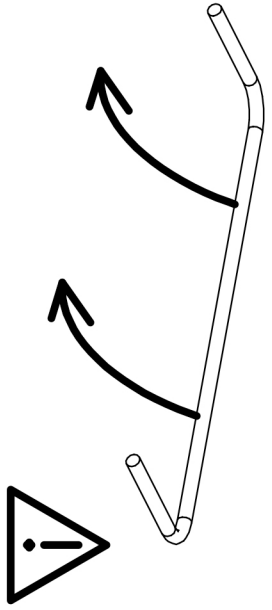
I



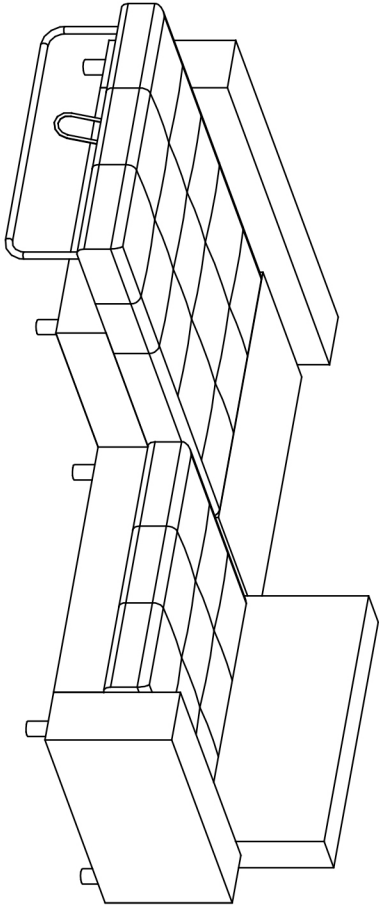
II



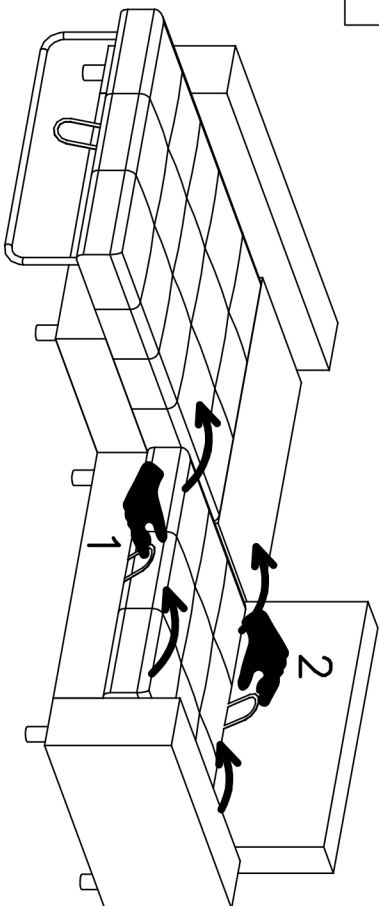
III



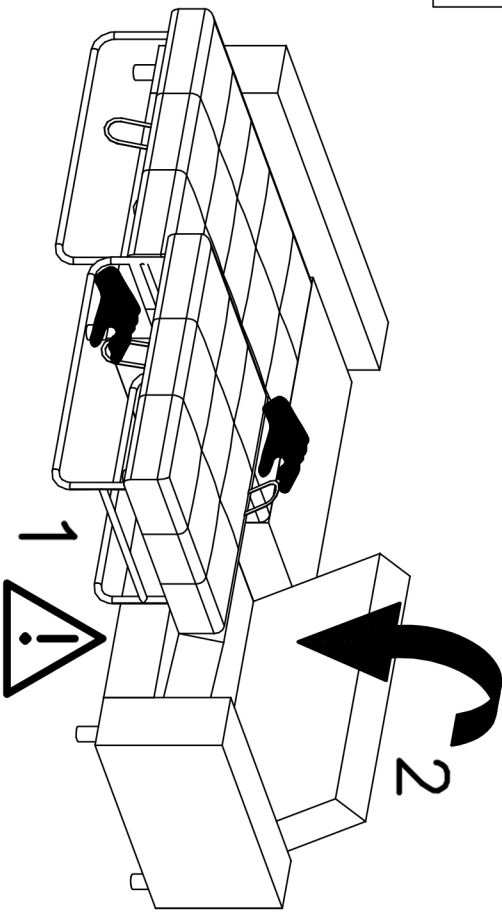
IV



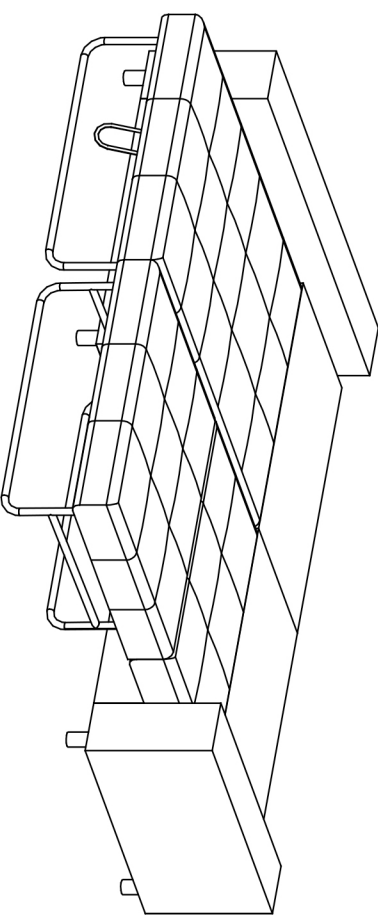
V



VI



VII



CLOSING

