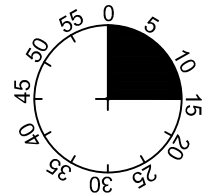
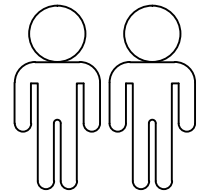
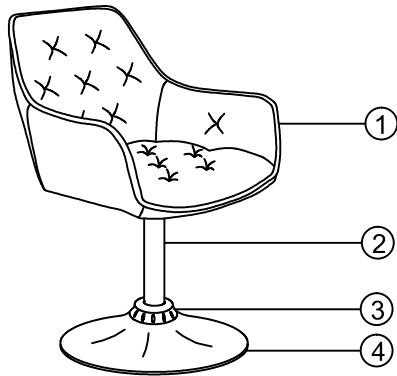
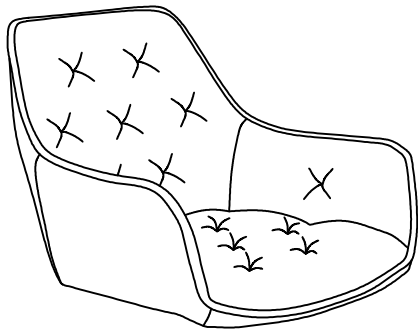


# Birte



1



2



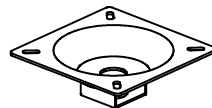
3



4



5



1	1 x
2	1 x
3	1 x
4	1 x
5	1 x

A

M6X20



4x

B

Ø18xØ6x1.5



4x

C

Ø17xØ6.5x4



2x

D

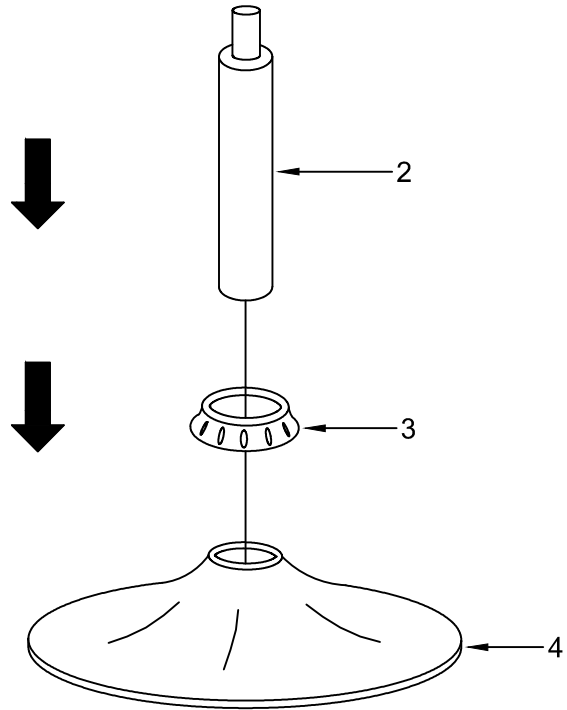
4MM



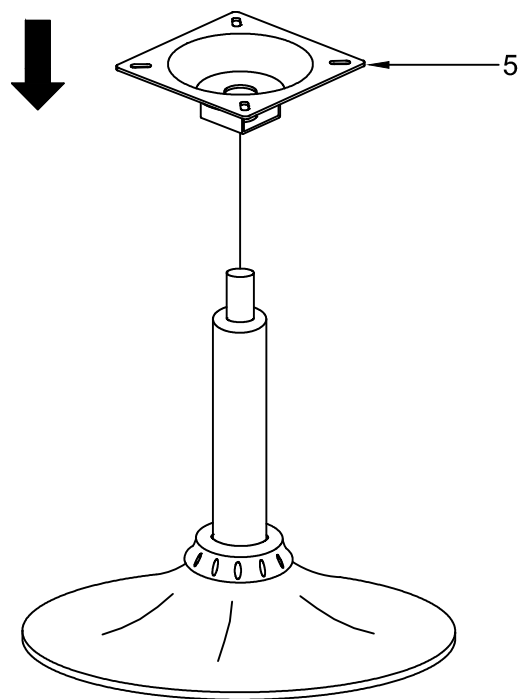
1x

I.

1

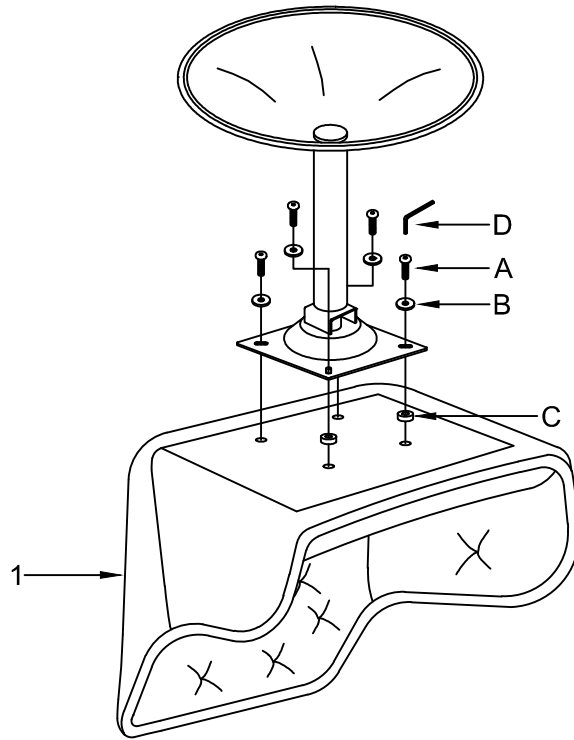


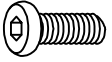


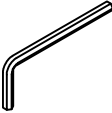

2



II.

3



A	M6X20
	4x
B	Ø18xØ6x1.5
	4x
C	Ø17xØ6.5x4
	2x
D	4MM
	1x
	

4

