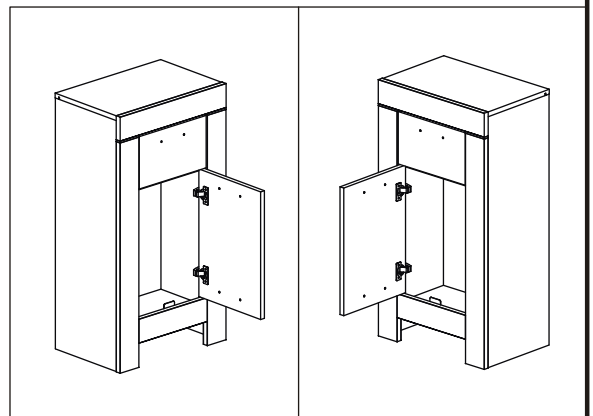
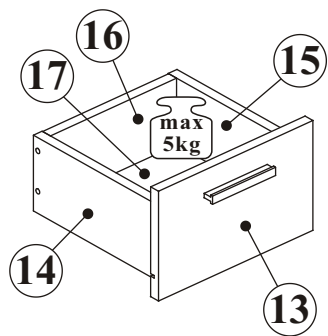
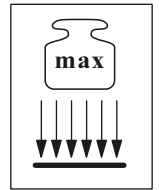
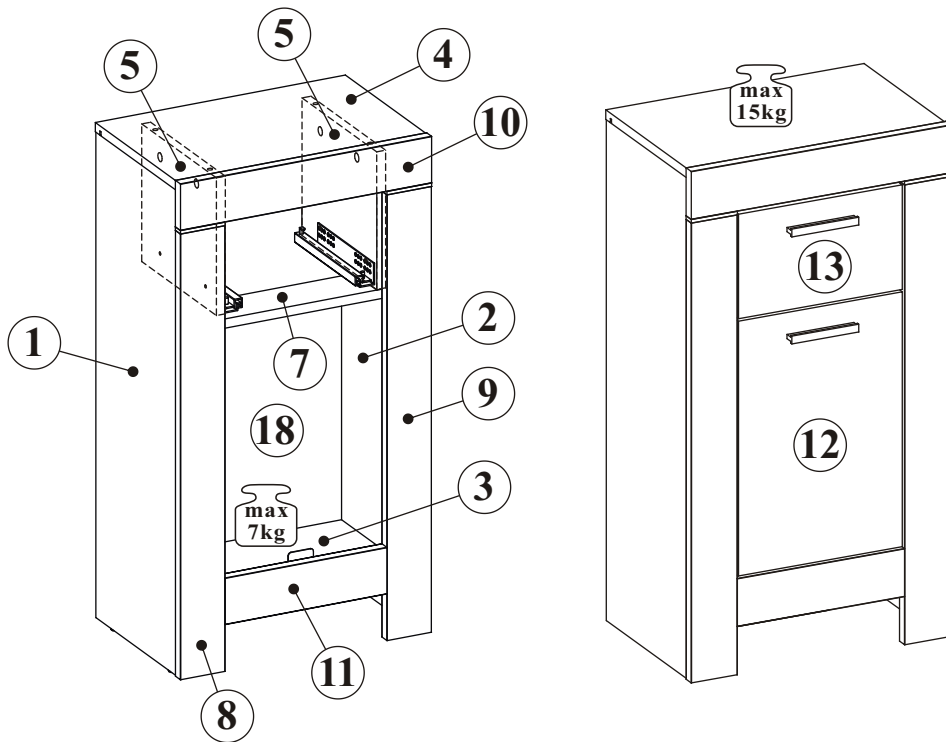
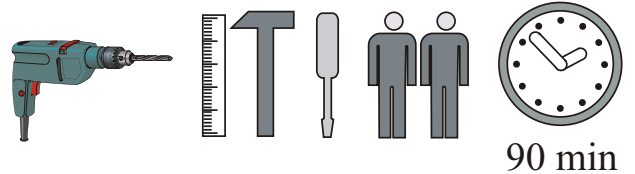


# BALIN 36-185-\_\_-6



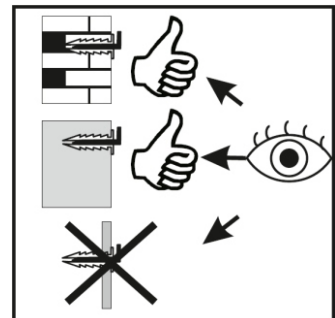
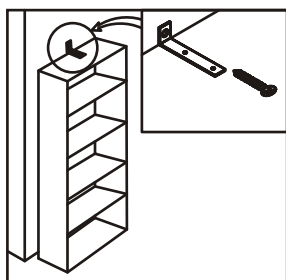
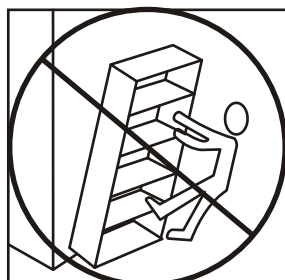
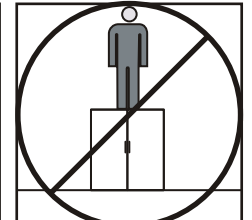
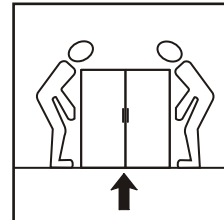
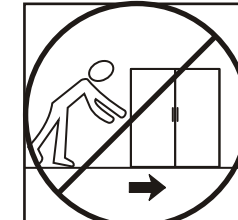
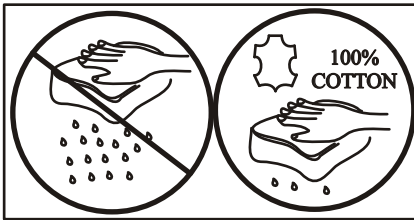
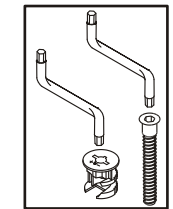
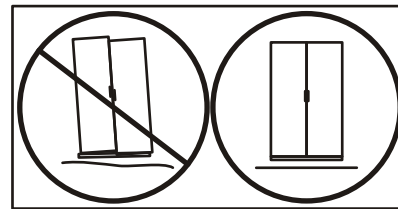
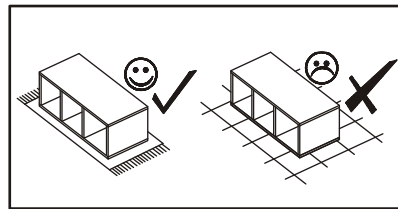
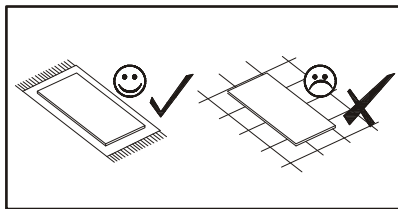
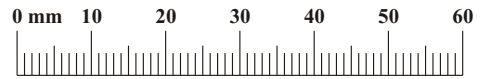
NO	Dim.		Col.-No	Qty
1	834	282	1	1
2	834	282	1	1
3	414	282	1	1
4	448	282	1	1
5	262	237	1	2
7	414	80	1	1
8	765	80	1	1
9	765	80	1	1
10	450	80	1	1
11	290	80	1	1
12	424	284	1	1
13	284	174	1	1
14	250	120	1	1
15	250	120	1	1
16	232	106	1	1
17	254	244	1	1
18	749	426	1	1



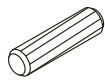
90 min

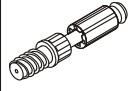
BALIN 36-185-\_\_-6


A1 x30 ø8x36	B4 x20	B5 x24 ø15x12	G5 x24	KR1 x1	QU x1 L-250mm
B11 x8 ø7x50	D20 x4 ESØ6x9,5	D10 x10 USØ3,5x13	S1 x9	L1 x1	G2 x1
G4 x8	UP6 x4 UPØ4x30	D13 x4 USØ3,5x20	PL x2	I2 x4	UP13 x4 UPØ3x16
E13 x2	E12 x2 H=2	T03 x2 L-116mm	Z2 x2 ø5	B2 x2 ø7x62	BL1 x1 42X42

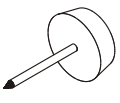


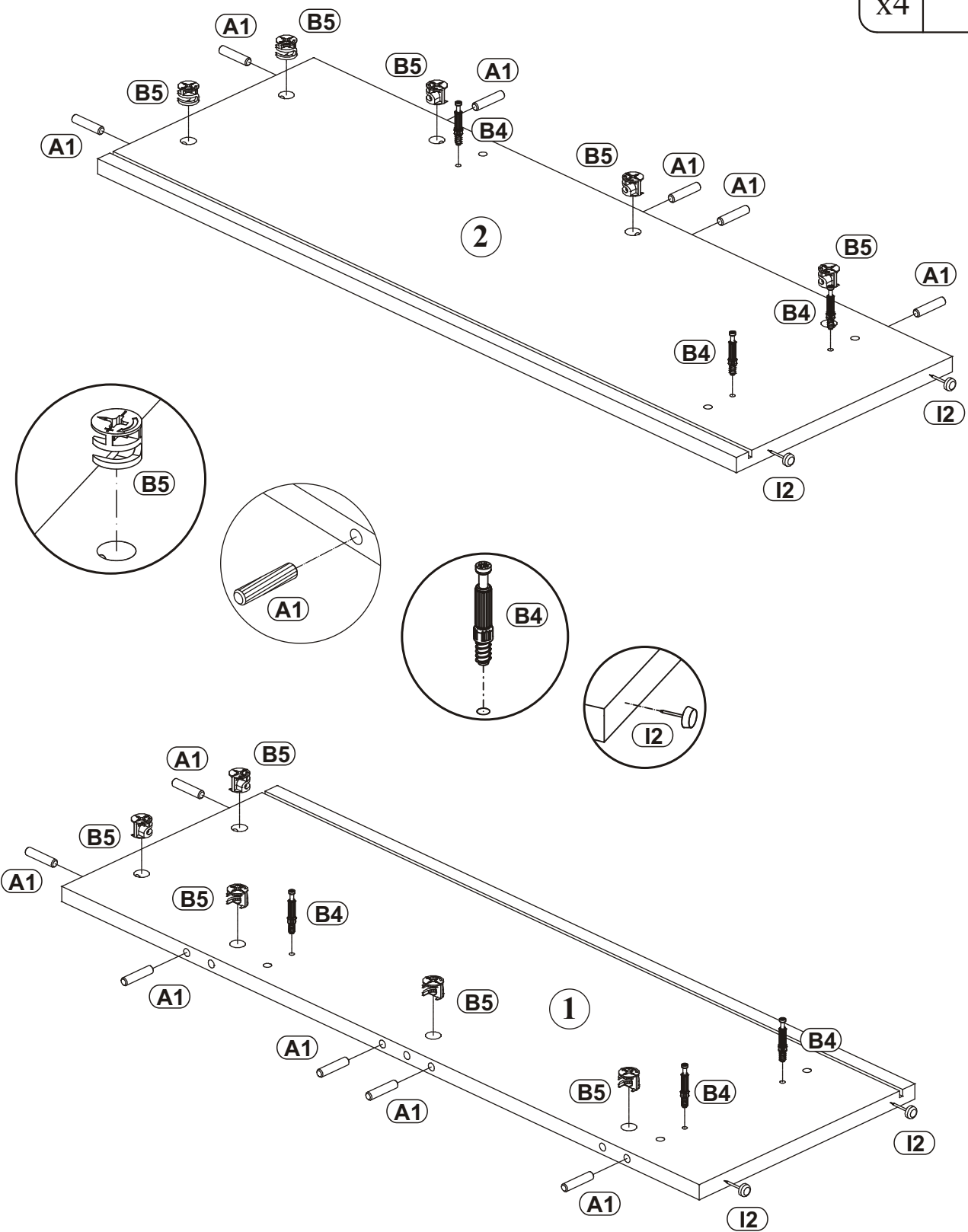
1

A1	
x12	ø8x36

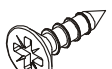
B4	
x6	


B5	
x10	ø15x12


I2	
x4	

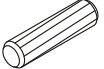


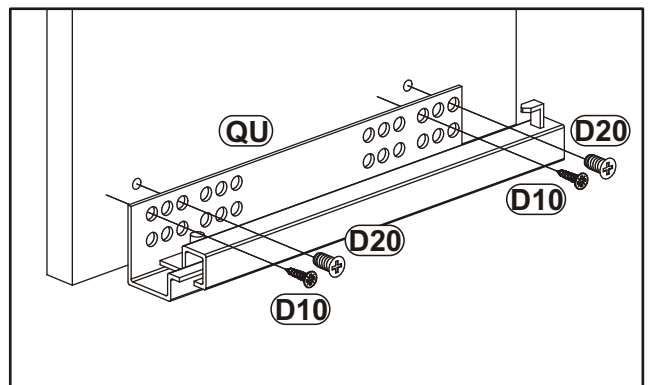
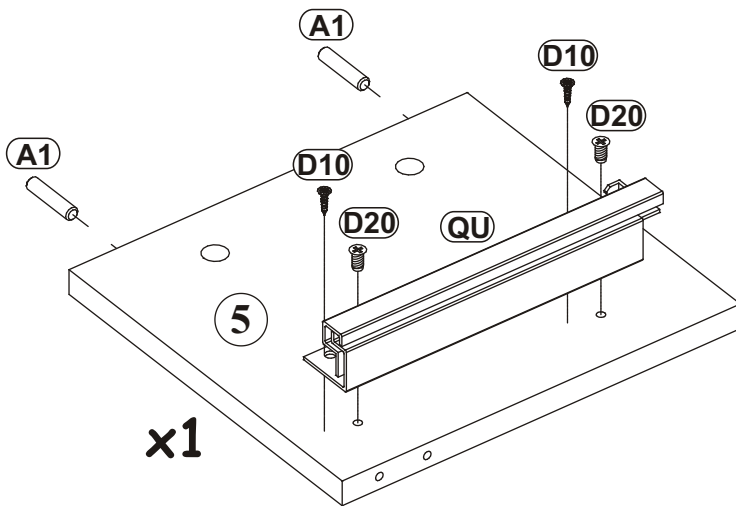
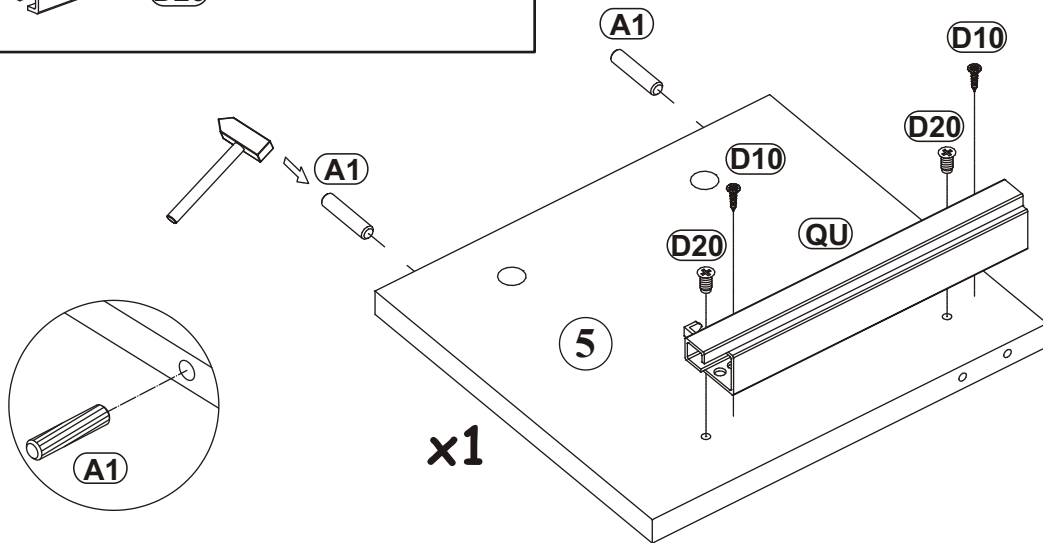
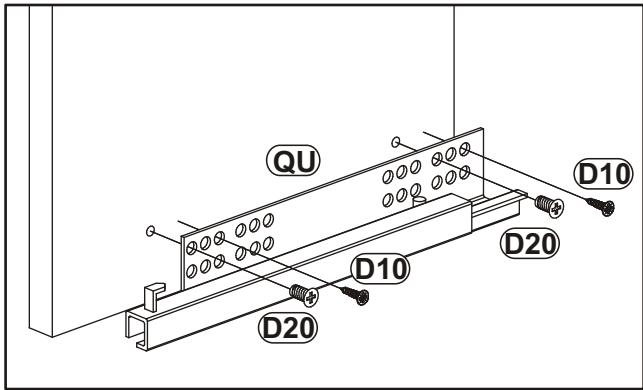
2

D10	
x4	USØ3,5x13

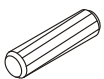
D20	
x4	ESØ6x9,5

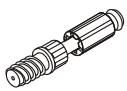
QU	
x1	L-250mm

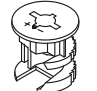
A1	
x4	ø8x36

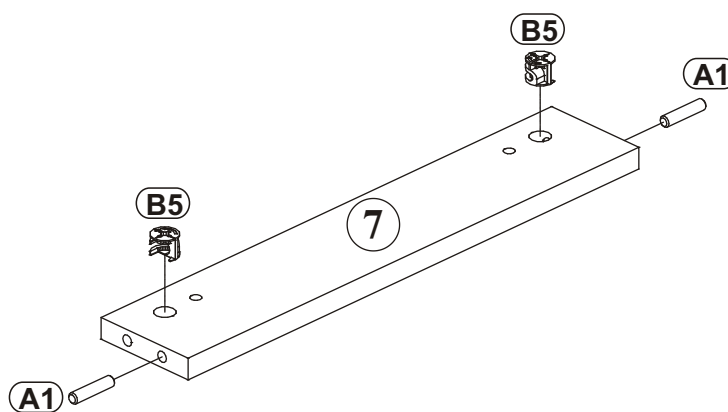
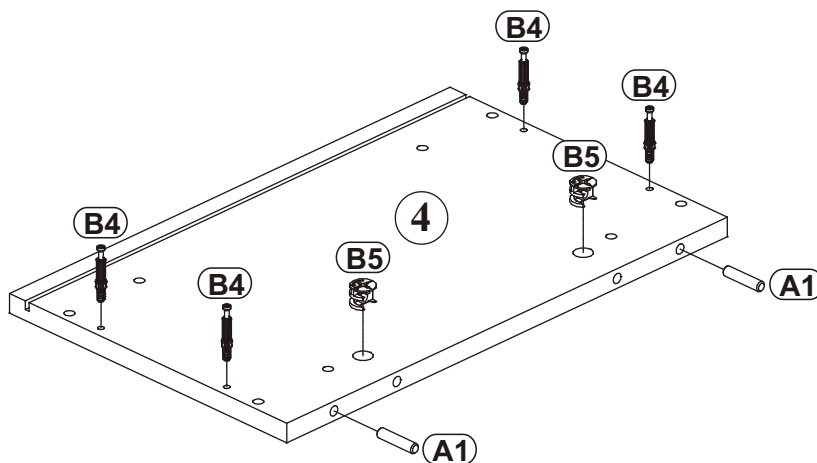
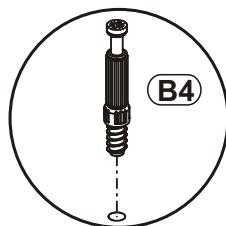
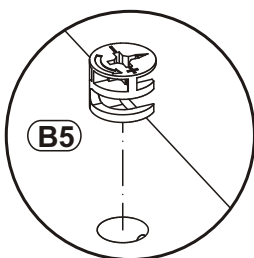
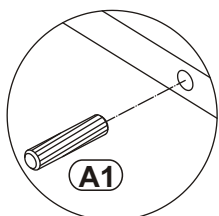
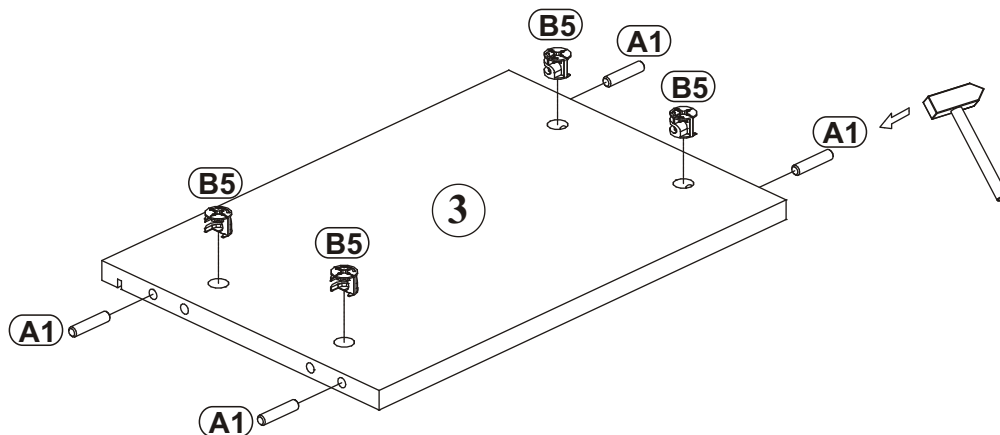


3

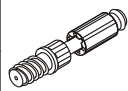

A1	
x8	ø8x36

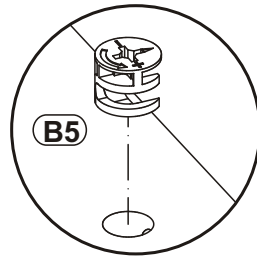
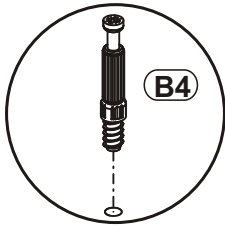
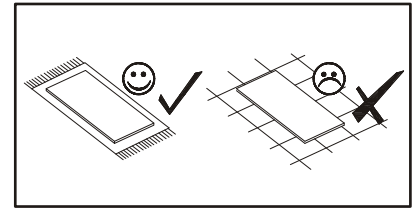
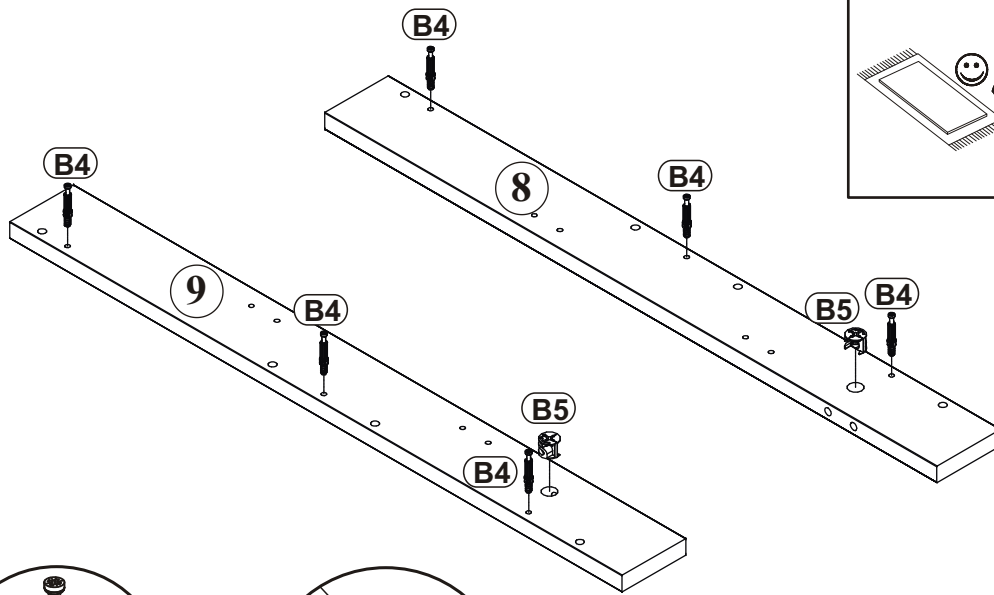
B4	
x4	

B5	
x8	ø15x12

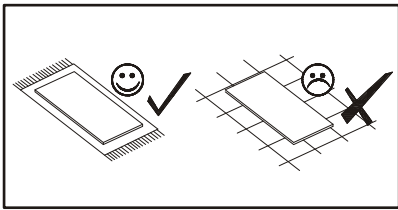


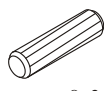
4

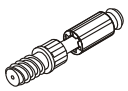
B4		B5	
x6		x2	ø15x12

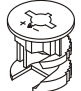


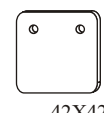
5




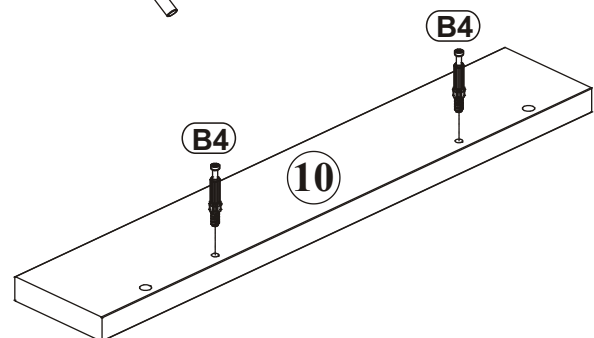
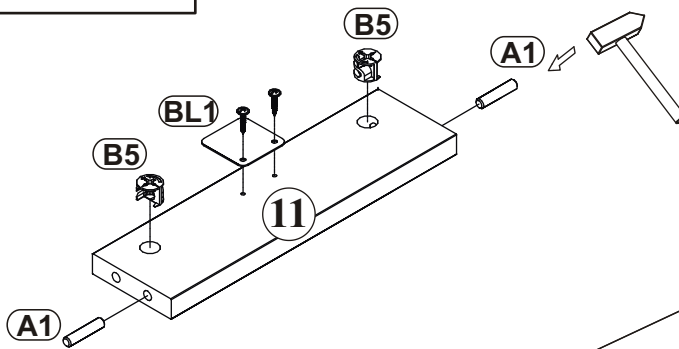
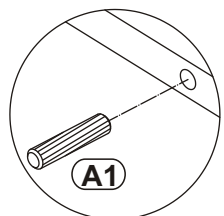
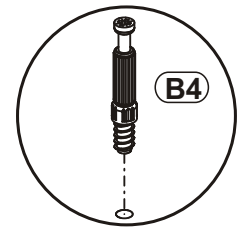
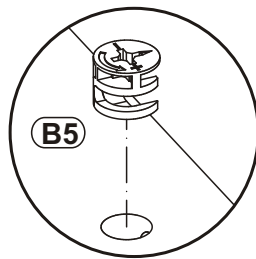
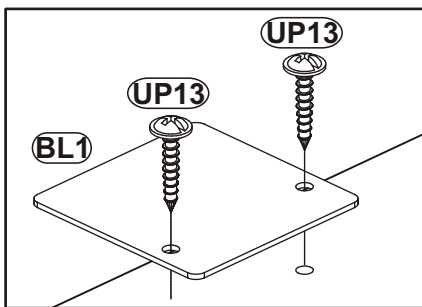
A1	
x2	ø8x36

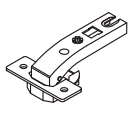

B4	
x2	

B5	
x2	ø15x12

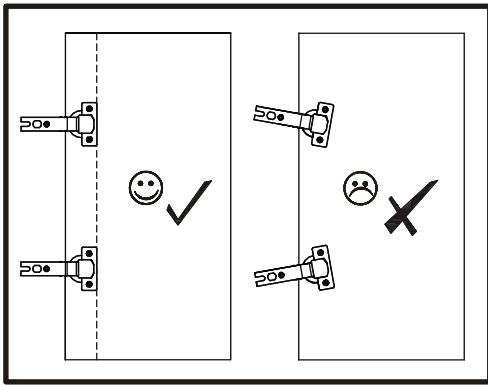
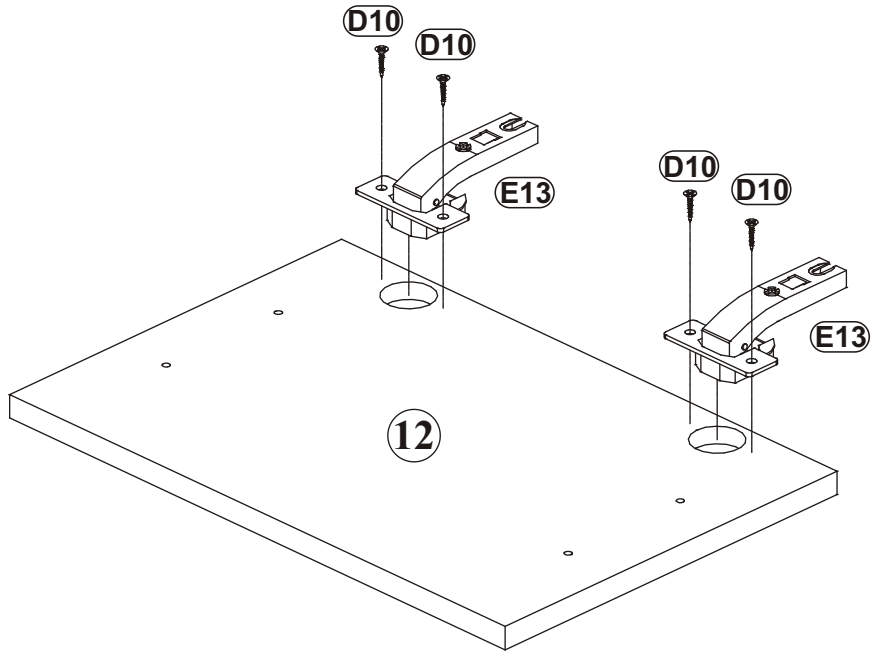
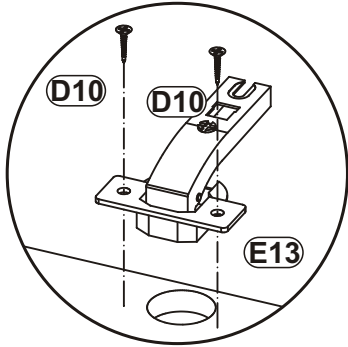
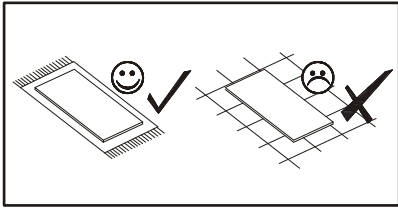
BL1	
x1	42X42

UP13	
x2	UPØ3x16

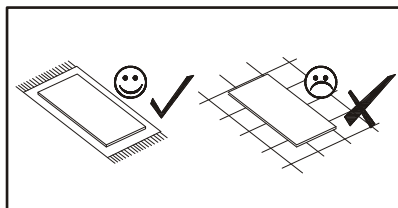


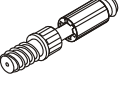
E13		D10	
x2		x4	USØ3,5x13

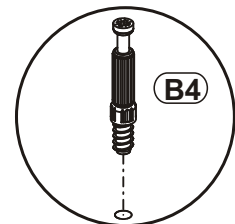
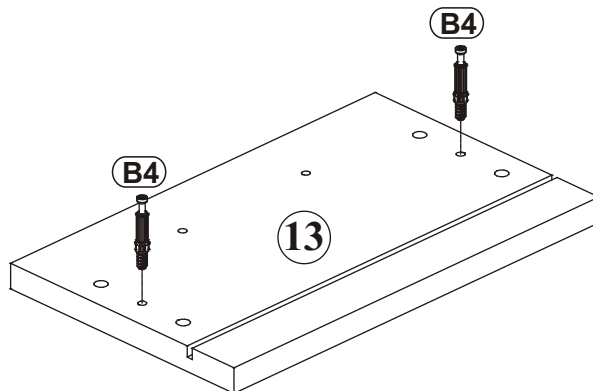
6



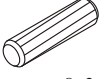
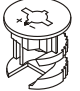
7

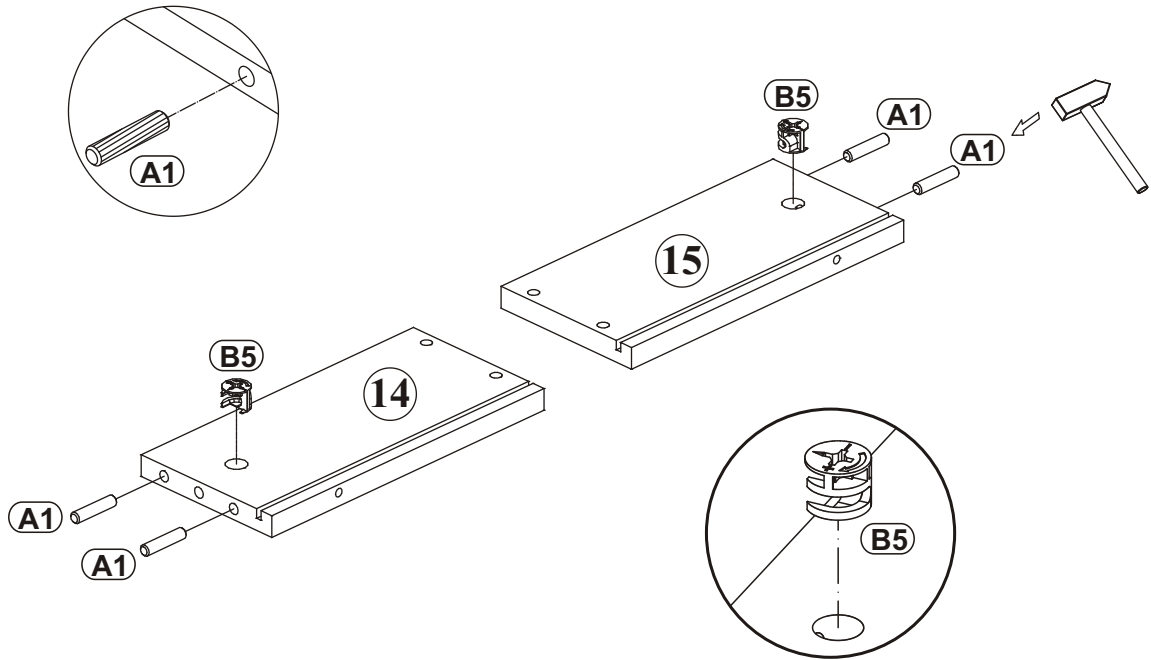


B4	
x2	

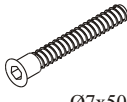



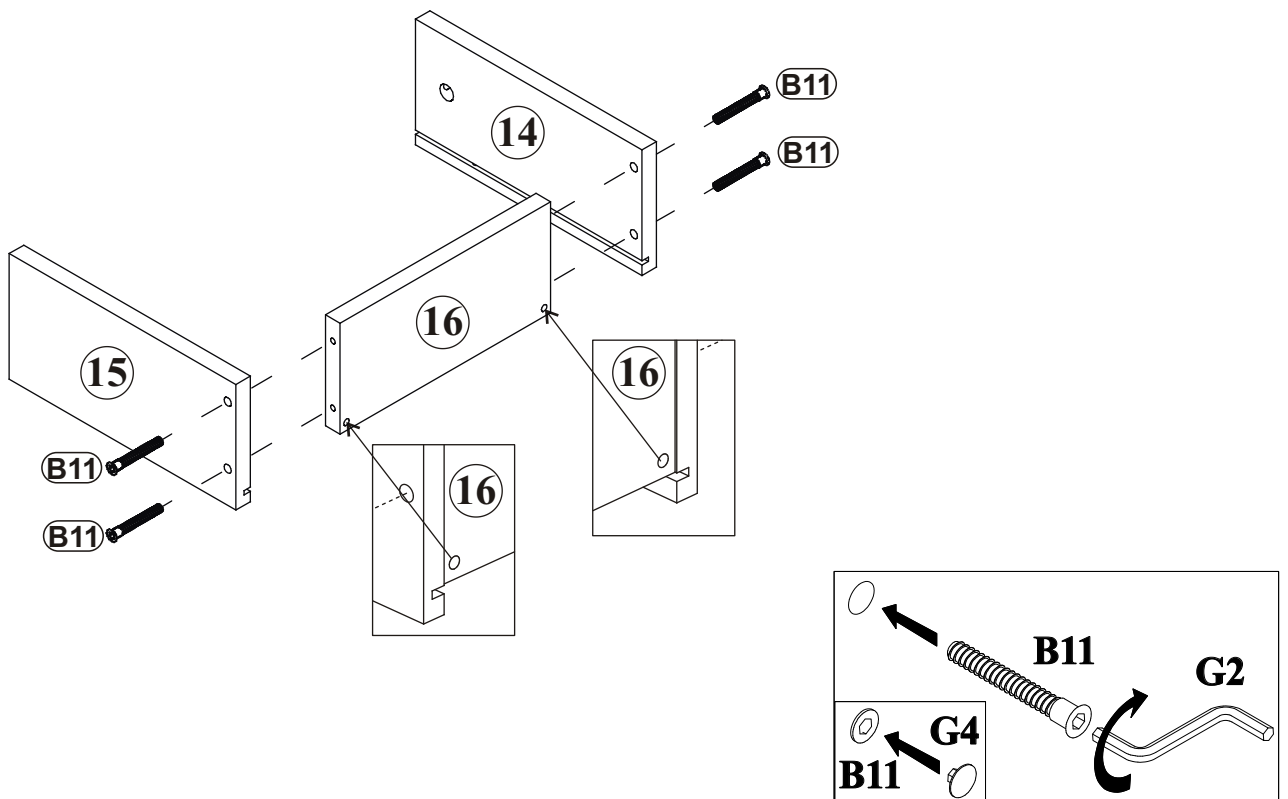
8

A1	 ø8x36	B5	 ø15x12
x4		x2	




9

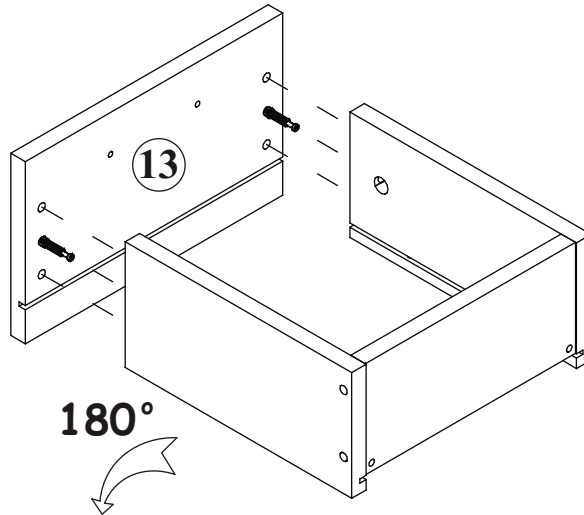
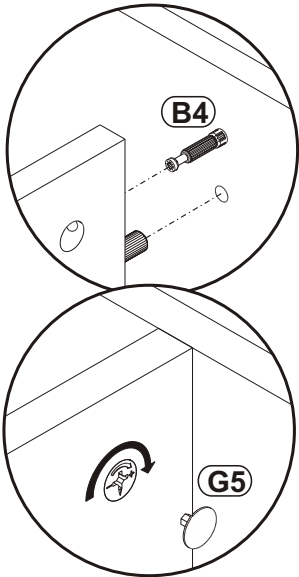
B11	 Ø7x50	G4	
x4		x4	



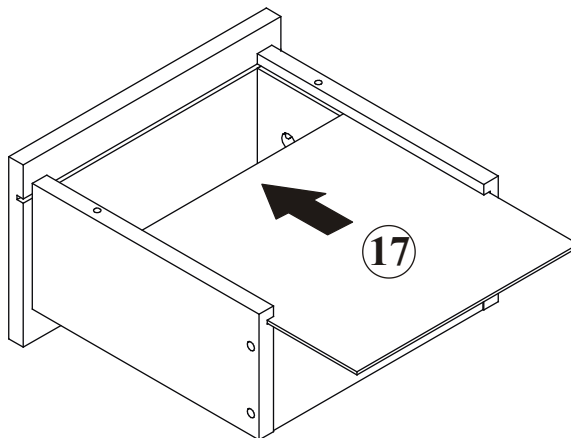


G5	
x2	

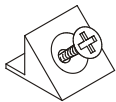
10




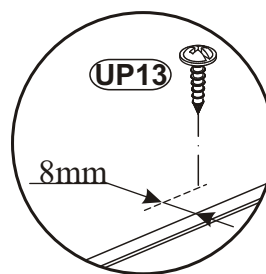
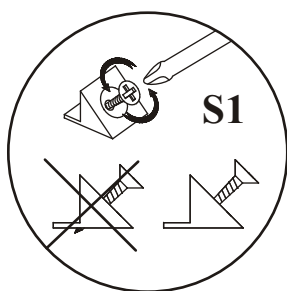
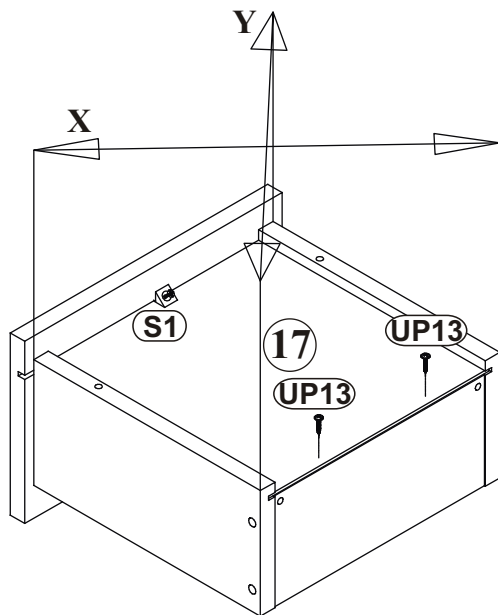
11




12

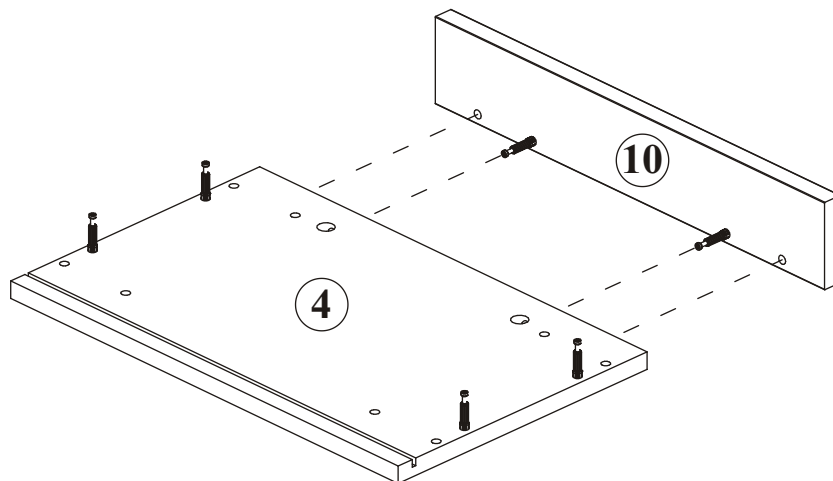
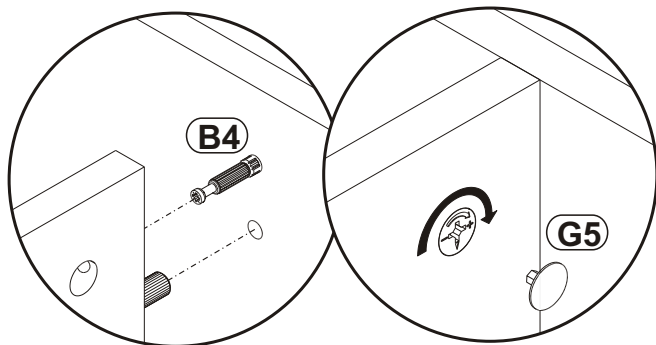
S1	
x1	

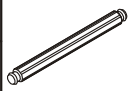
UP13	
x2	UP03x16




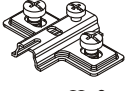
13

G5	
x2	

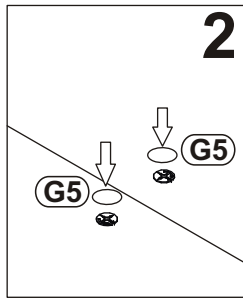
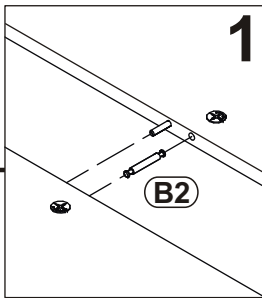
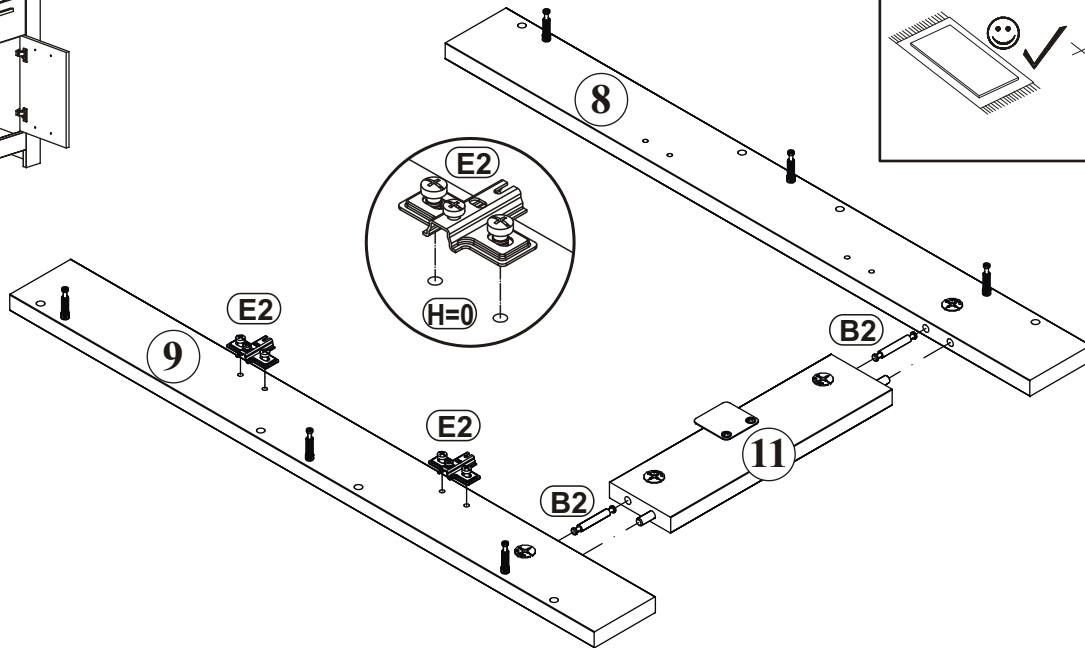
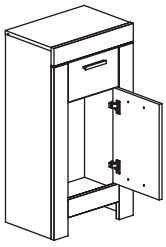


B2	
x2	Ø7x62

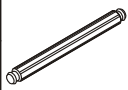
G5	
x4	


E12	
x2	H=2

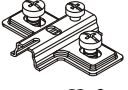
14

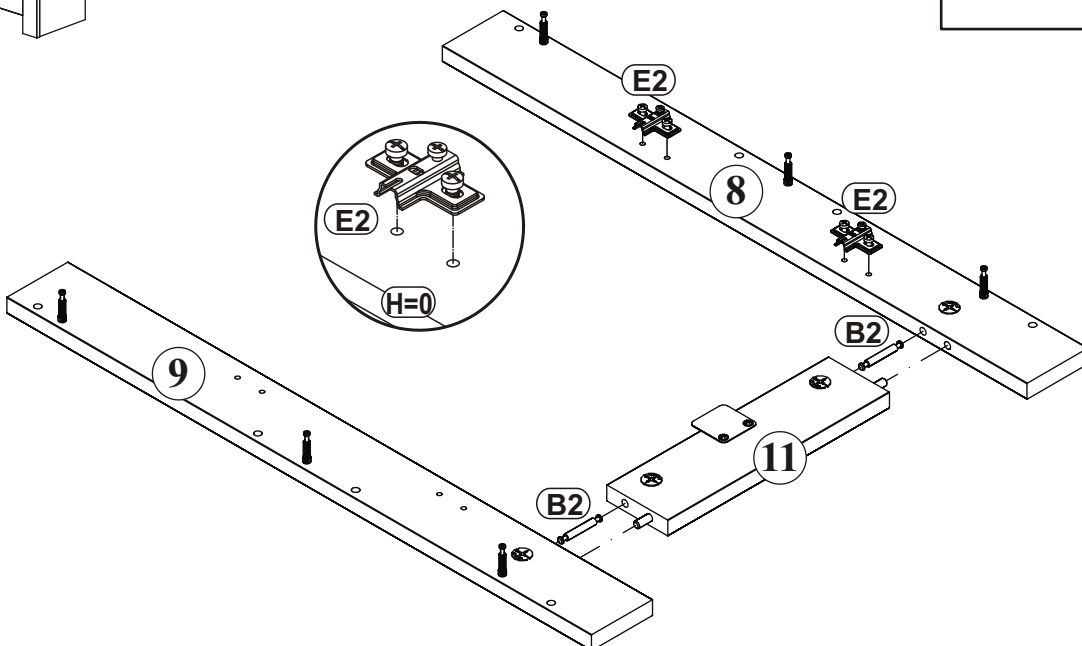
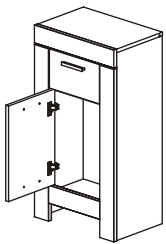


14


B2	
x2	Ø7x62

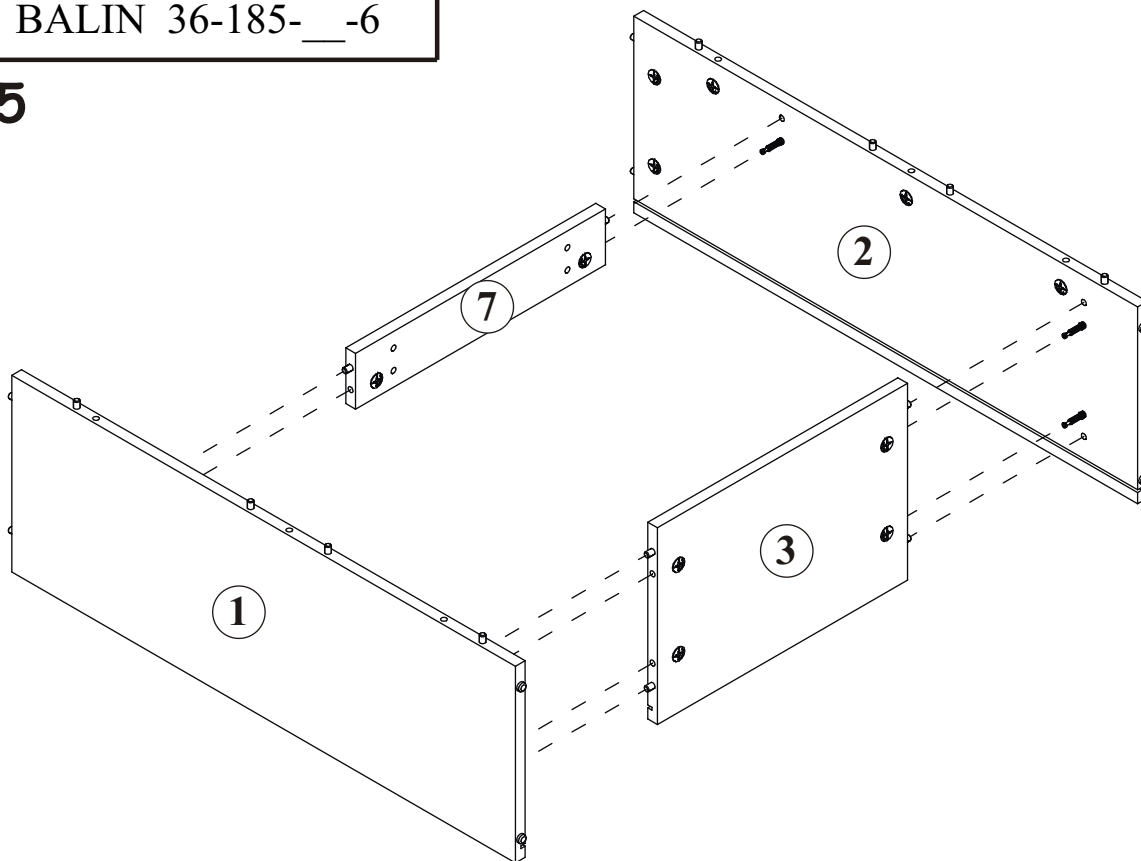
G5	
x4	

E12	
x2	H=2

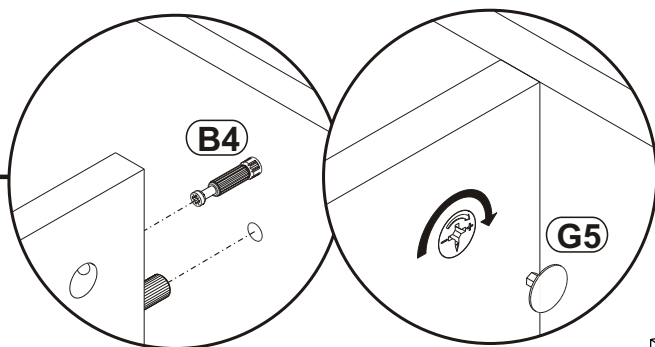



15

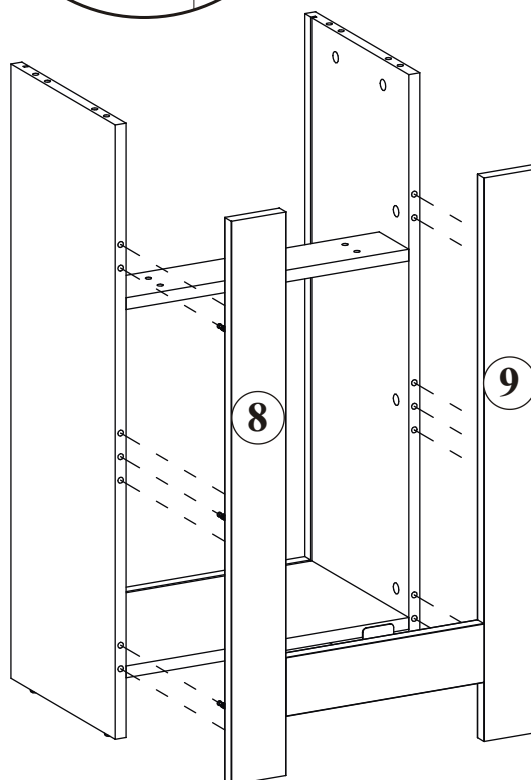
G5	
x6	



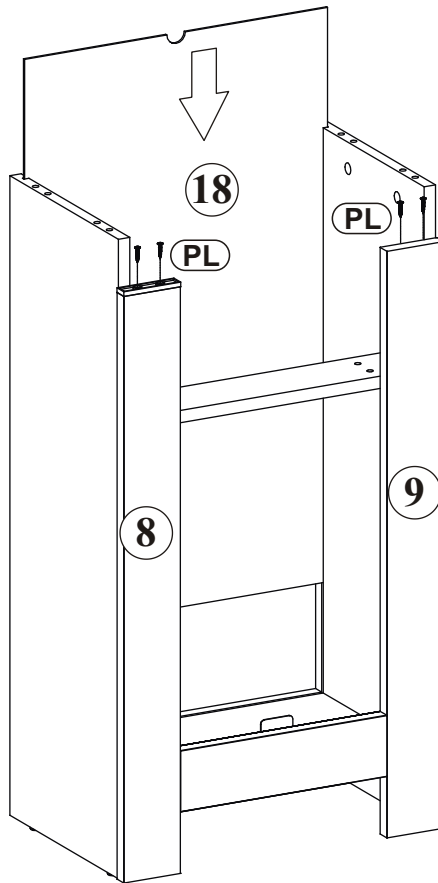
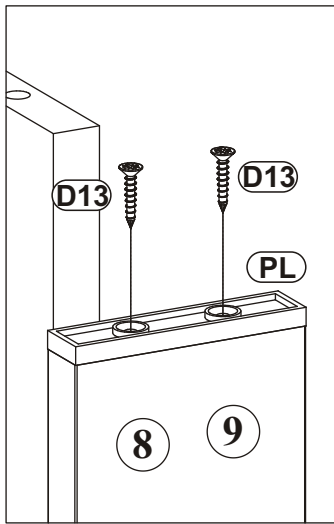
16



G5	
x6	

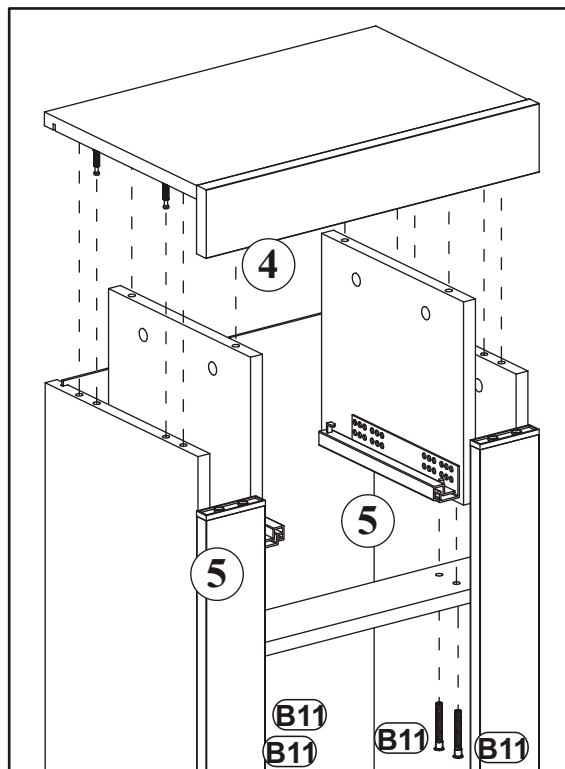
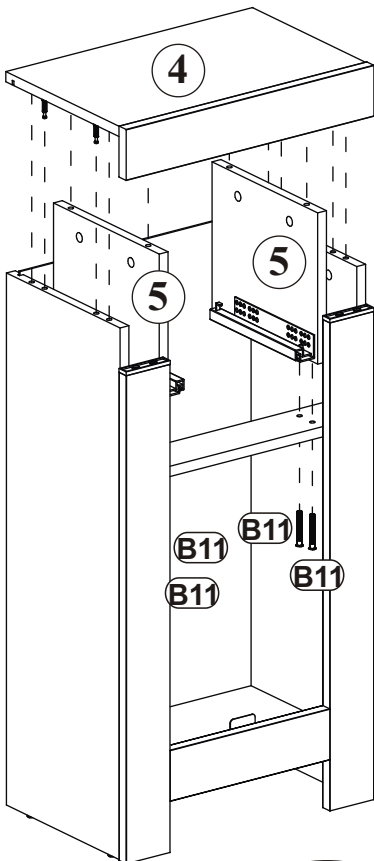


17

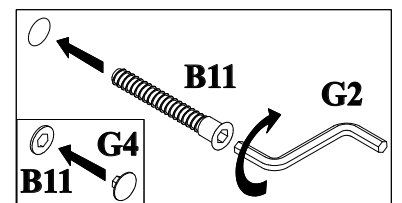
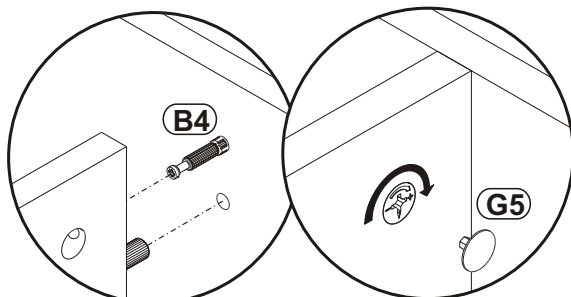
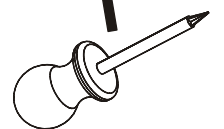
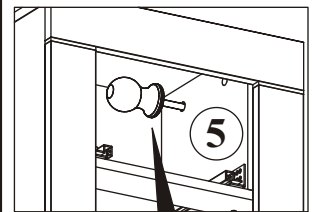


PL	
x2	
D13	
x4	USØ3,5x20

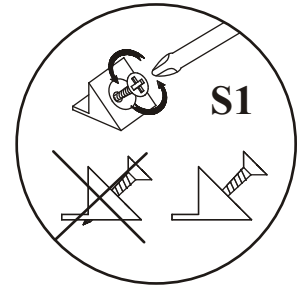
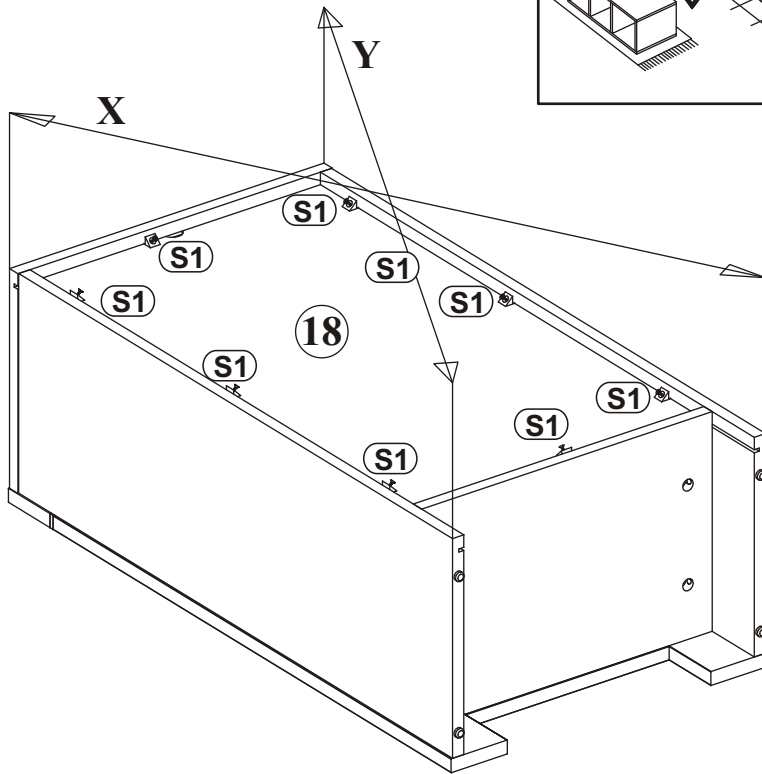
18



G5	
x4	
B11	
x4	Ø7x50
G4	
x4	

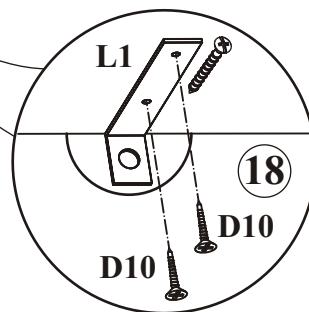
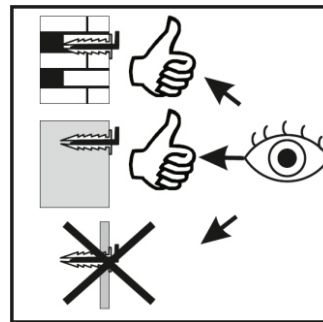
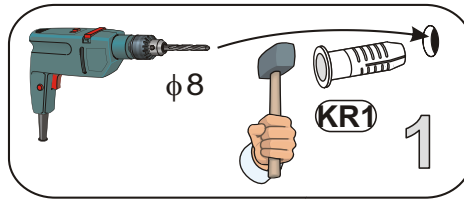
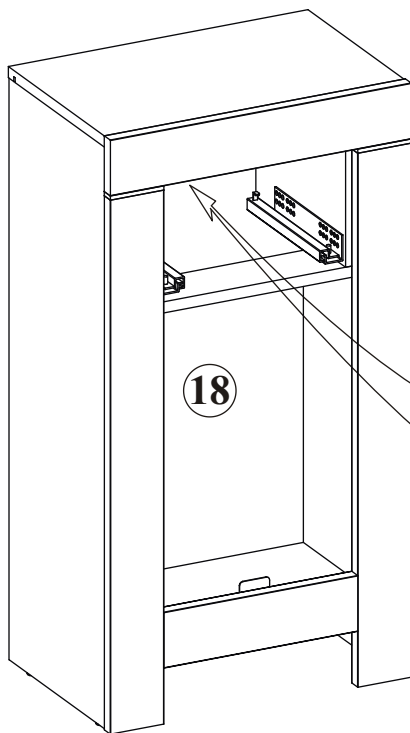


19



S1	
x8	

20

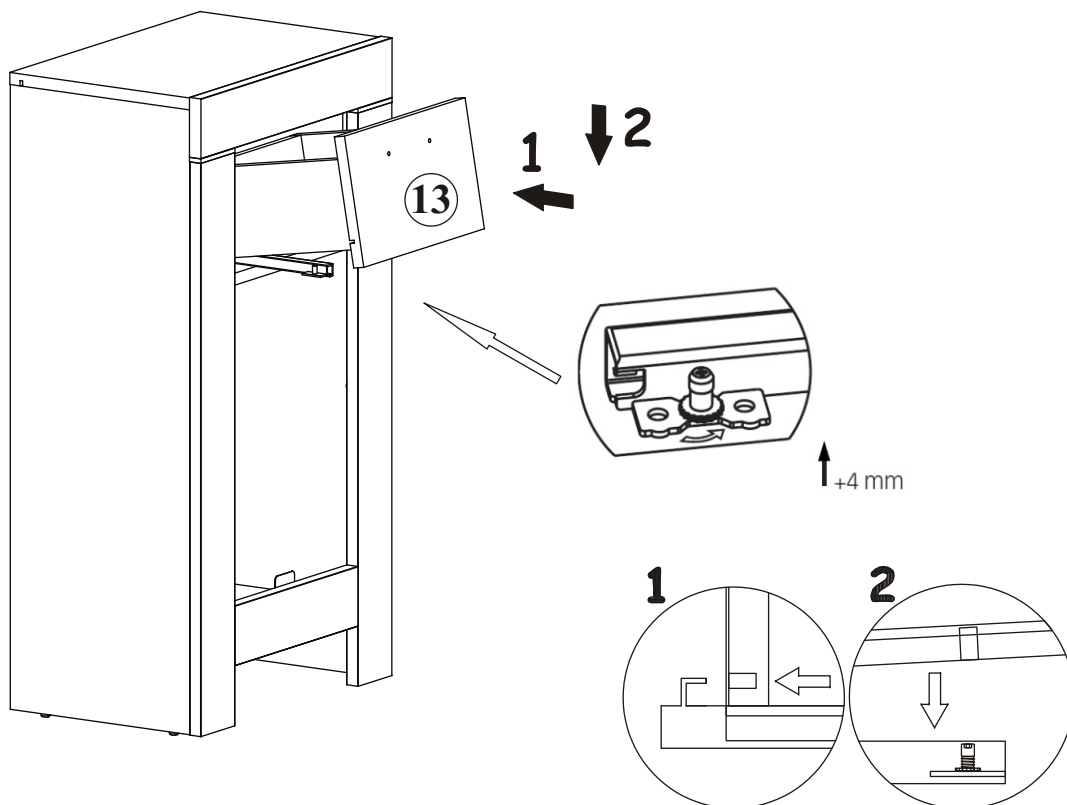


KR1	
x1	

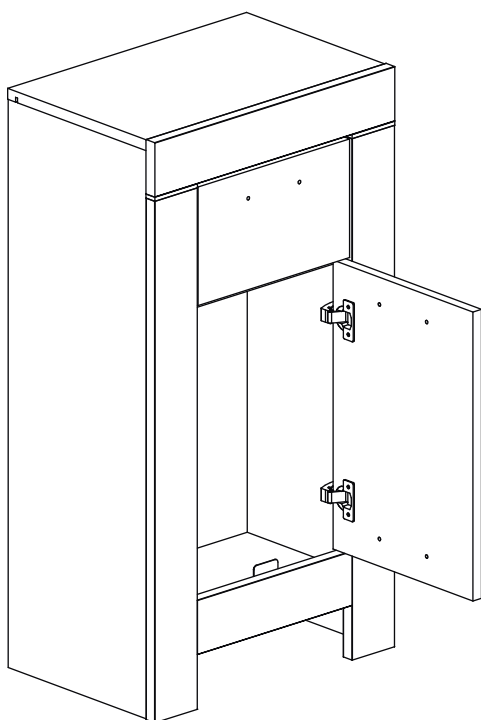
L1	
x1	

D10	
x2	USØ3,5x13

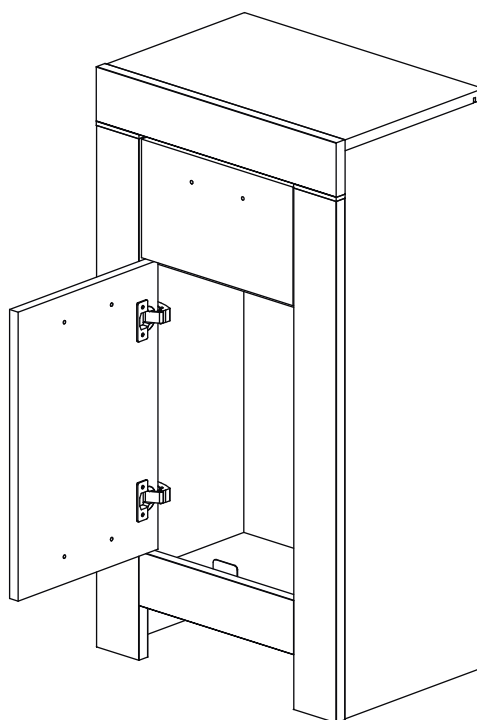
21



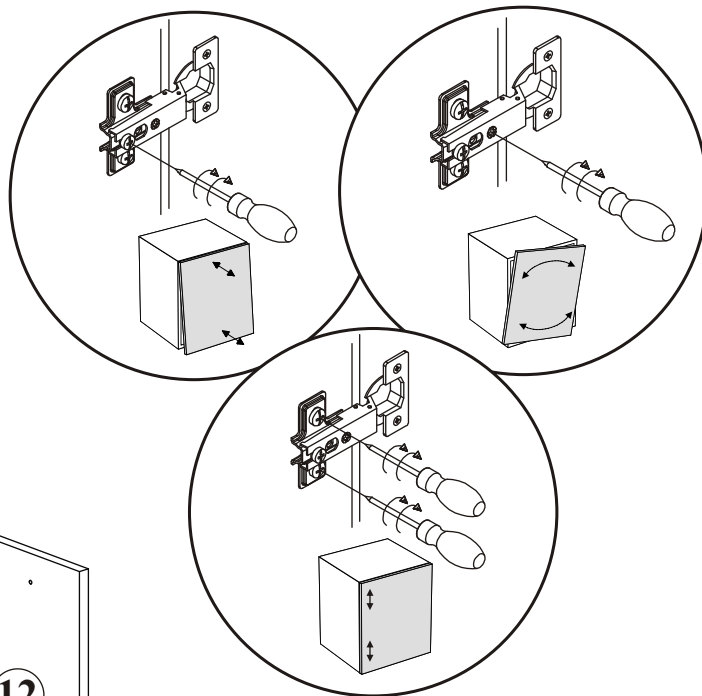
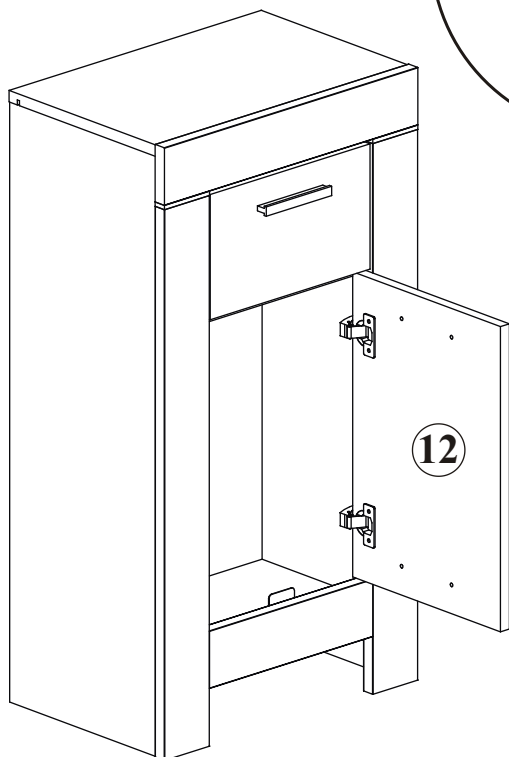
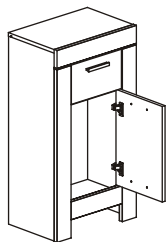
22-24



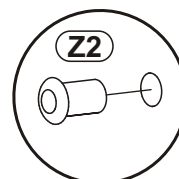
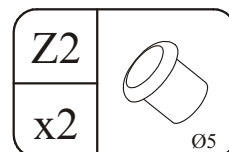
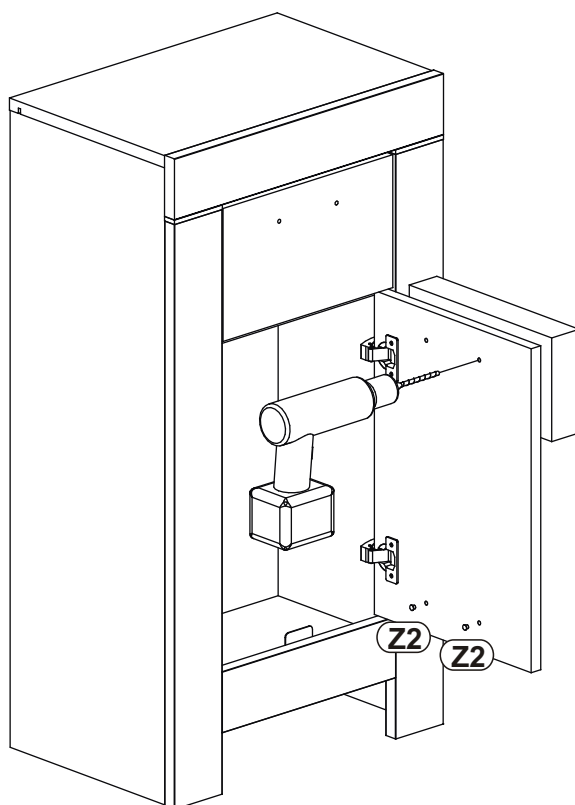
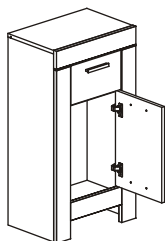
25-27



22

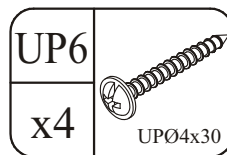
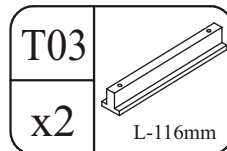
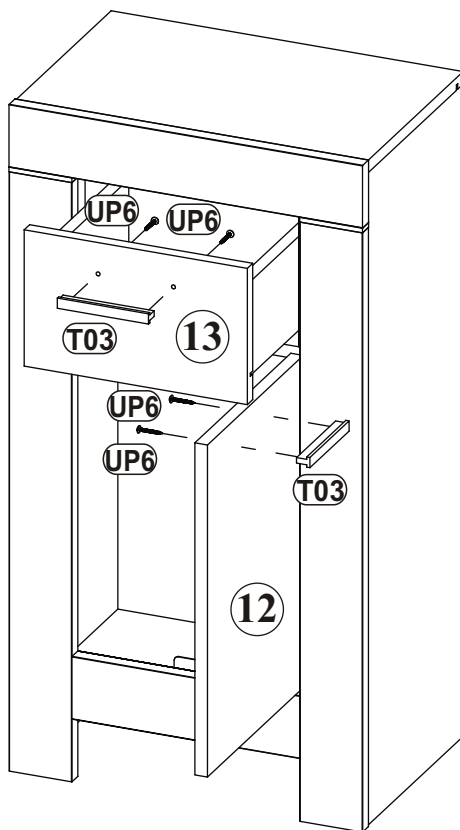
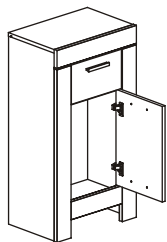


23

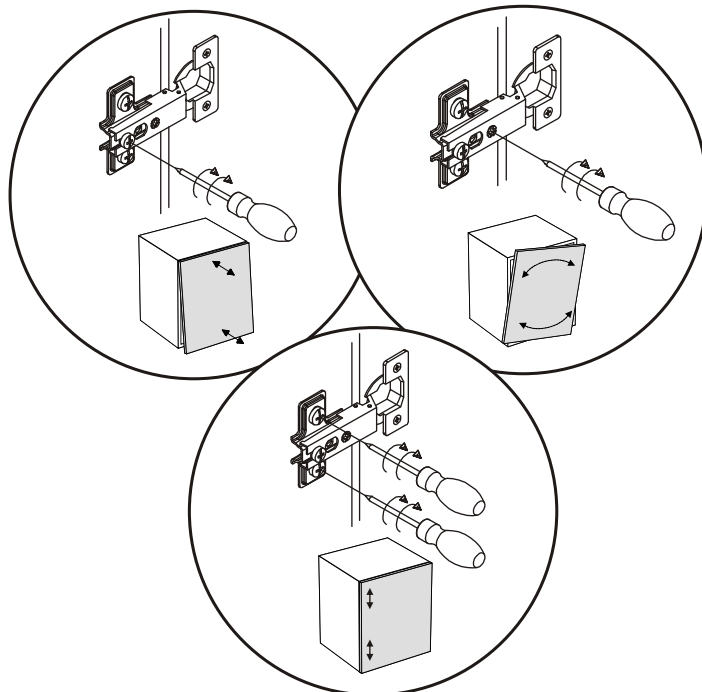
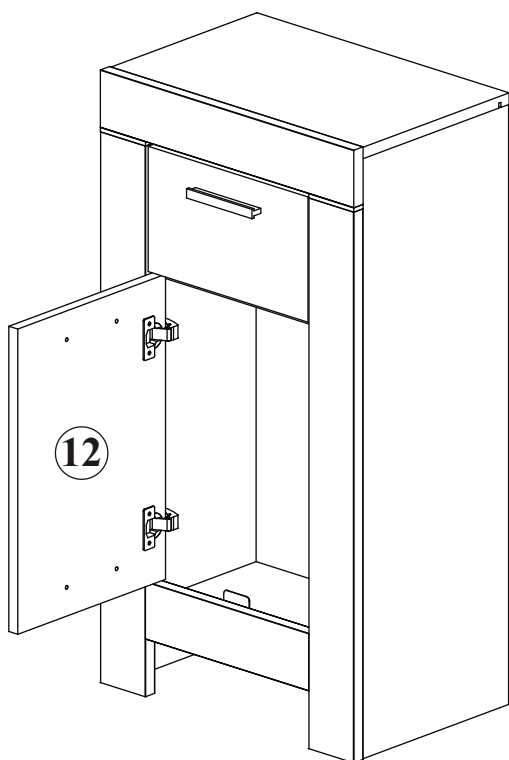
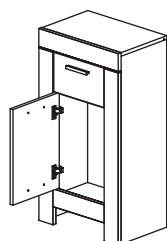





24

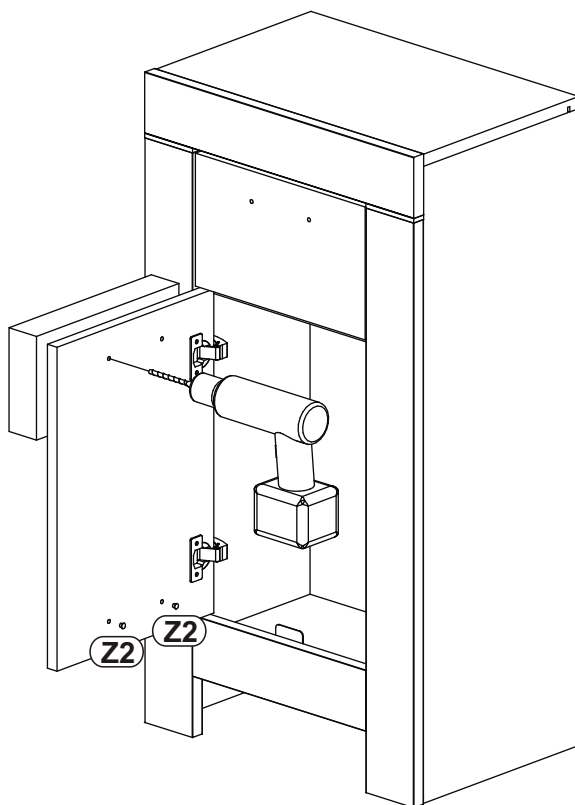
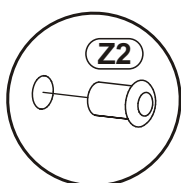
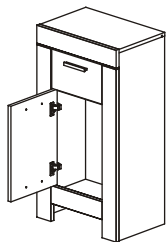


25

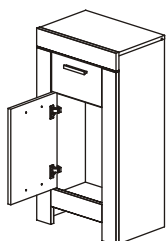


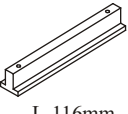
Z2	
x2	


26



27



T03	
x2	

UP6	
x4	

