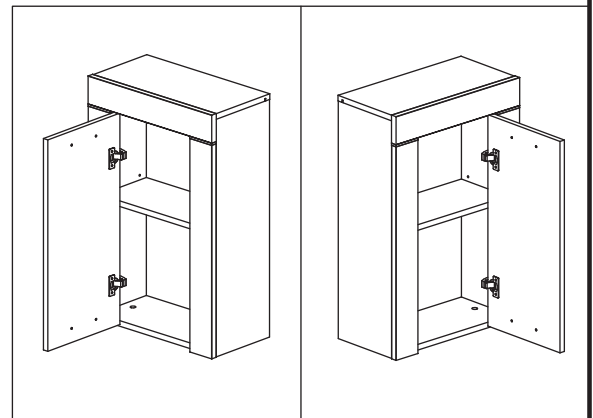
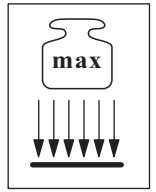
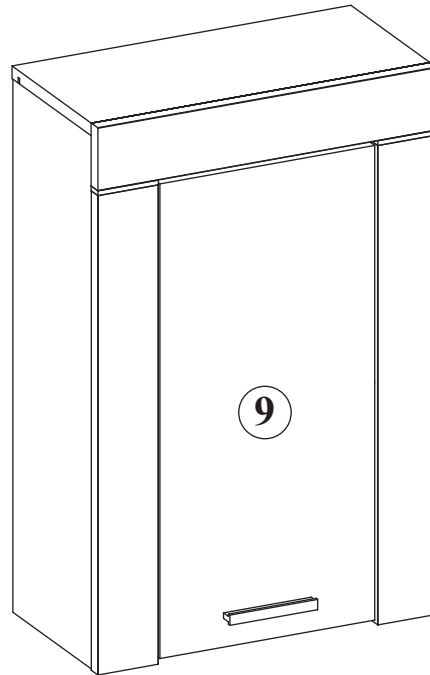
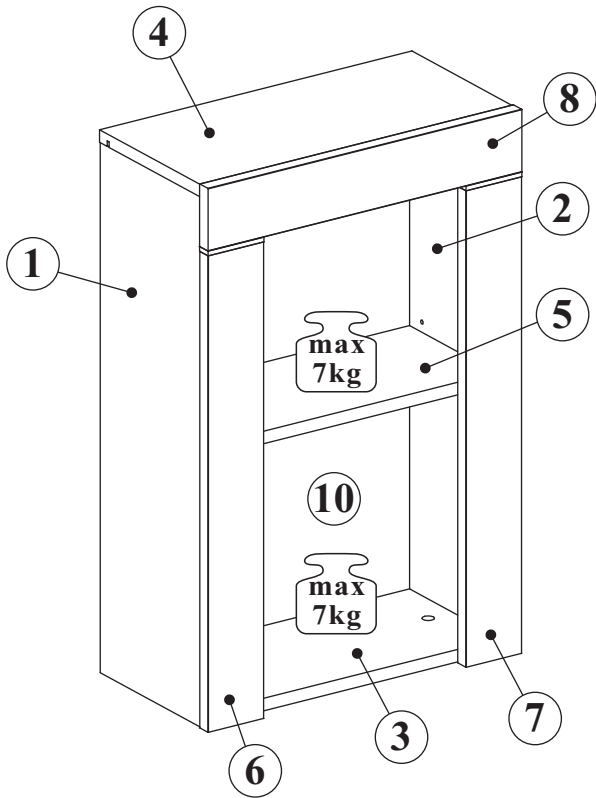
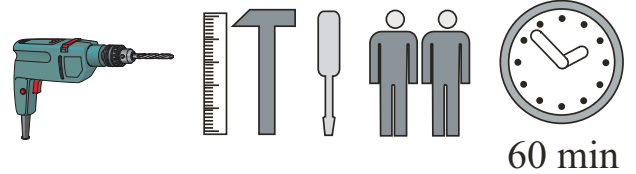


BALIN 71-185-__-6

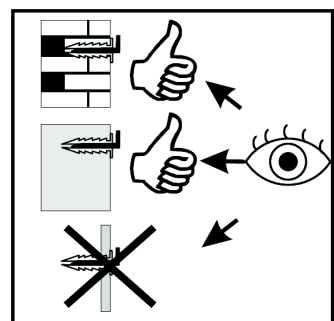
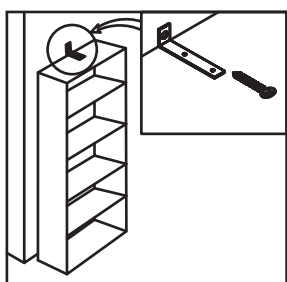
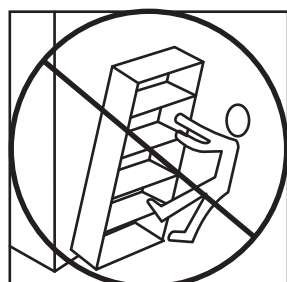
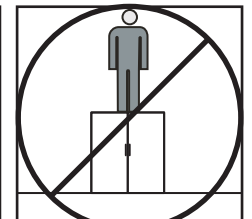
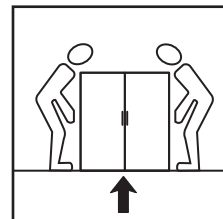
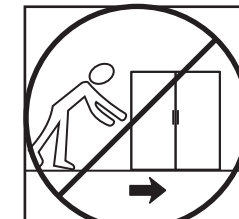
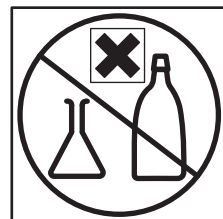
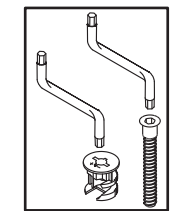
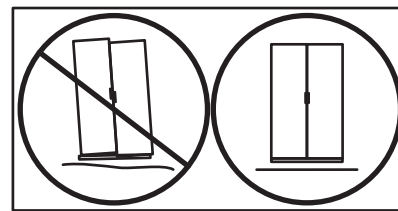
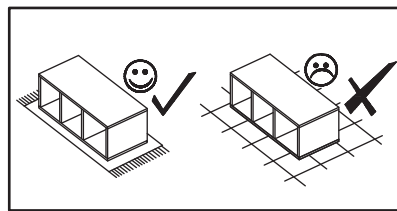
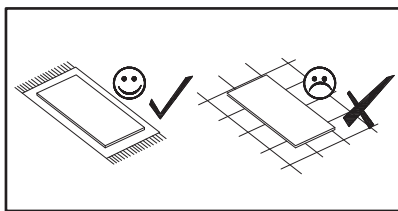
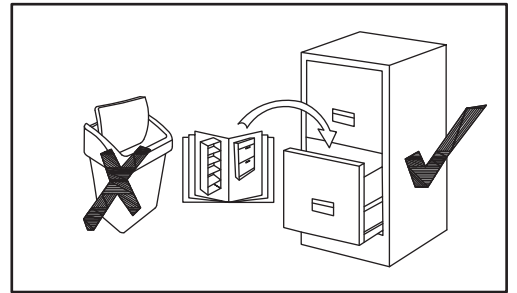
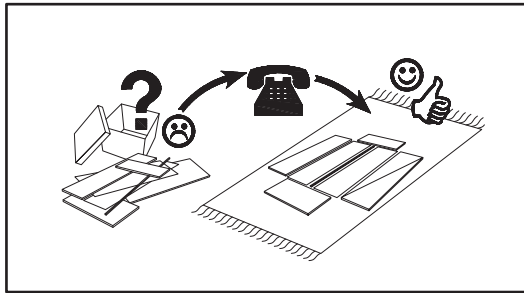
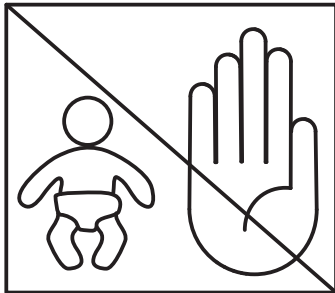
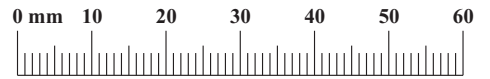


NO	Dim.		Col.-No	Qty
1	677	212	1	1
2	677	212	1	1
3	414	212	1	1
4	448	212	1	1
5	414	182	1	1
6	608	80	1	1
7	608	80	1	1
8	450	80	1	1
9	602	284	1	1
10	672	426	1	1

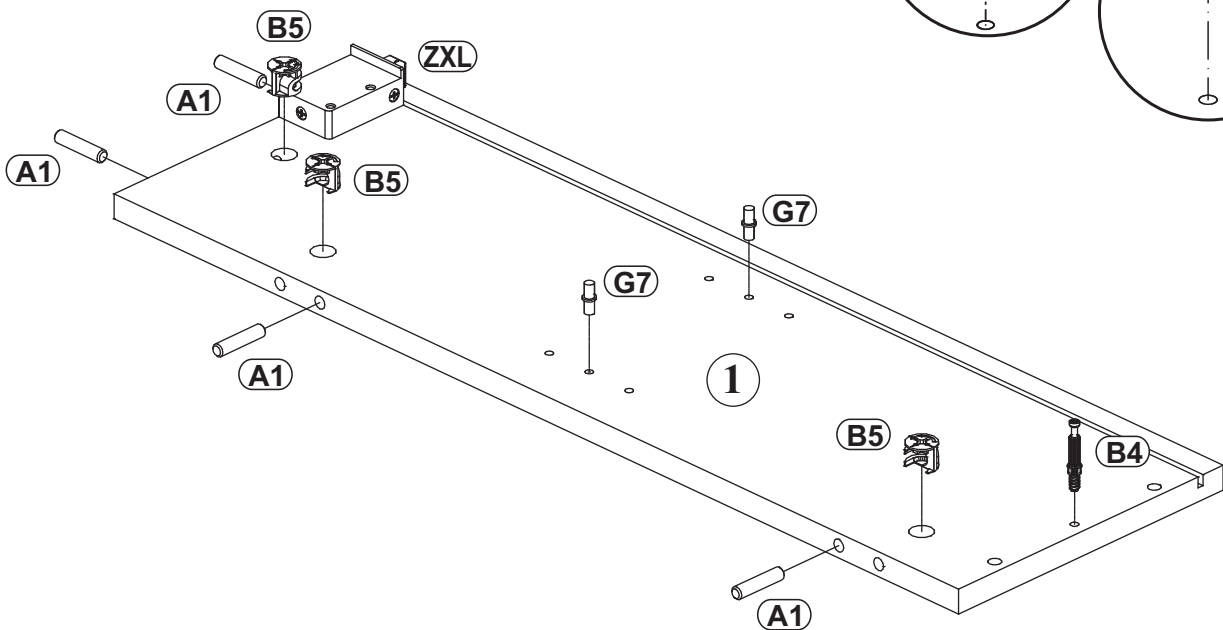
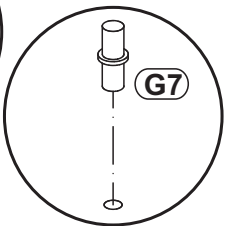
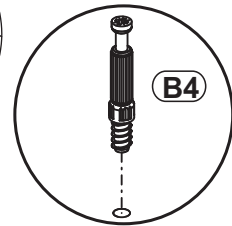
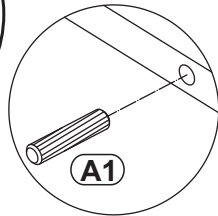
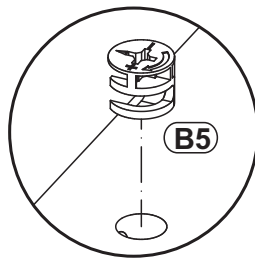
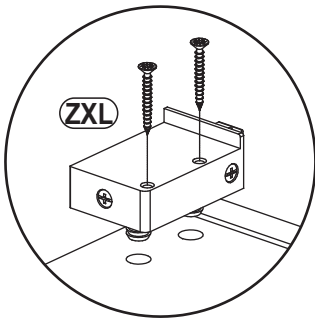
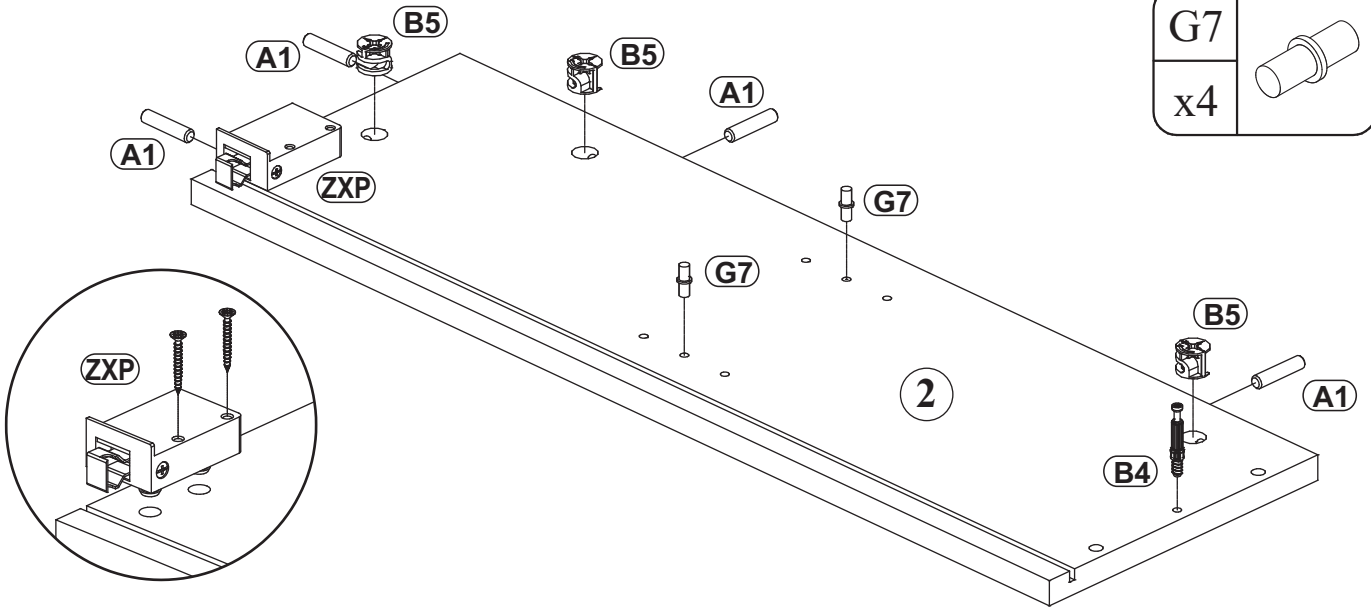
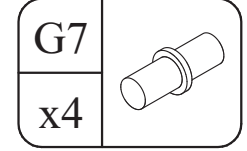
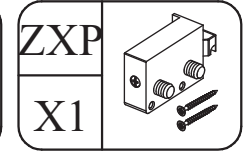
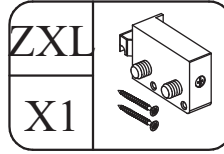
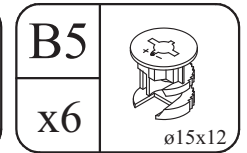
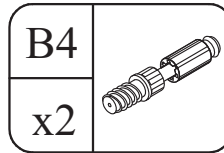
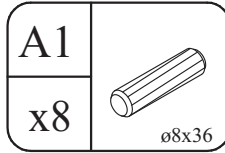


60 min

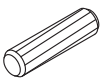
A1 x14 ø8x36	B4 x10	B5 x10 ø15x12	G5 x10	ZXL x1	ZXP x1
E13 x2	E12 x2 H=2	D10 x4 USØ3,5x13	S1 x6	PL x2	G2 x1
T03 x1 L-116mm	UP6 x2 UPØ4x30	Z2 x2 Ø5	G7 x4	D13 x4 USØ3,5x20	KR2 x2
UP13 x2 UPØ3x16	BL1 x1 40X40				

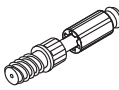



1

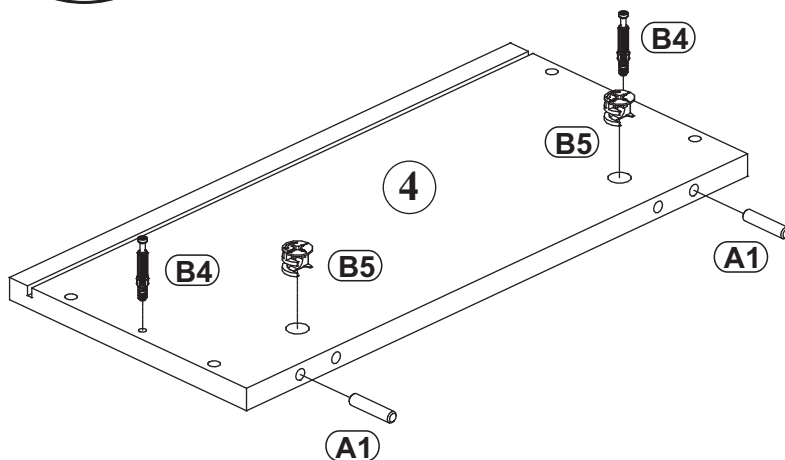
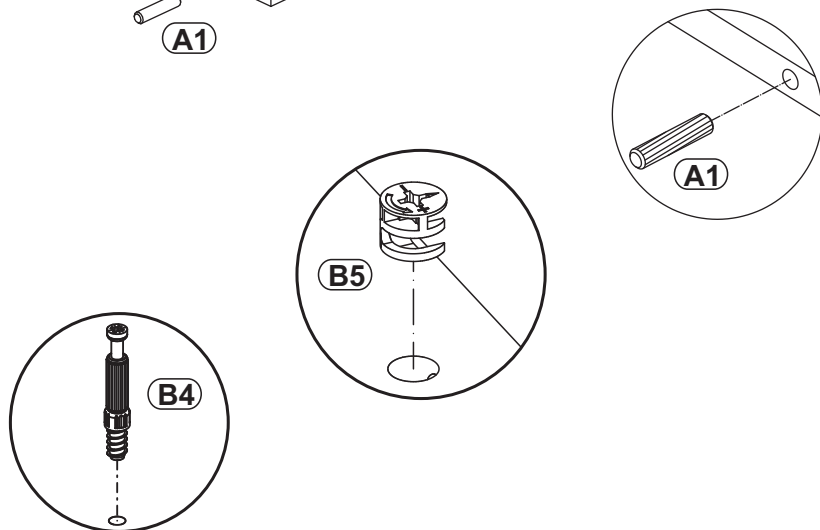
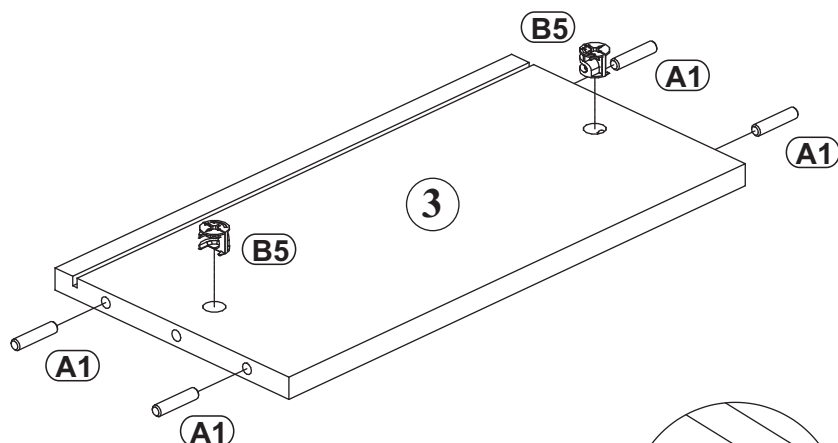


2

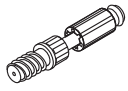
A1	
x6	ø8x36

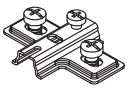
B4	
x2	

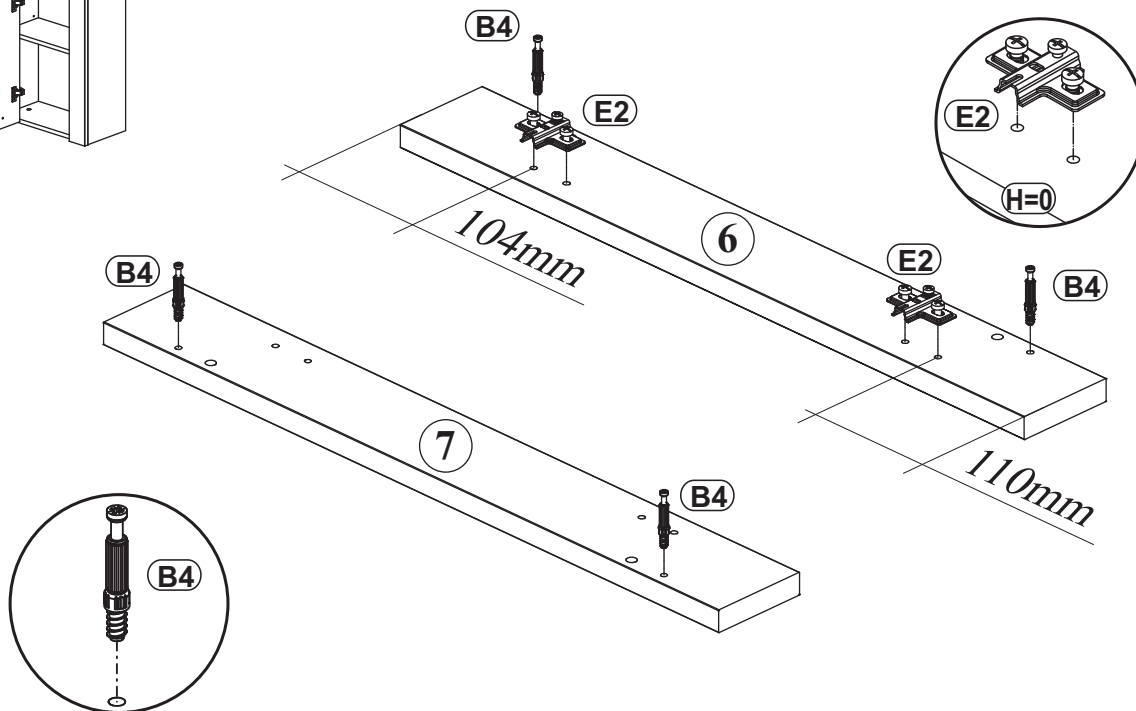
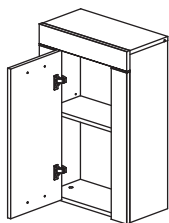
B5	
x4	ø15x12



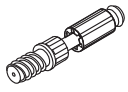
3

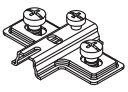
B4	
x4	

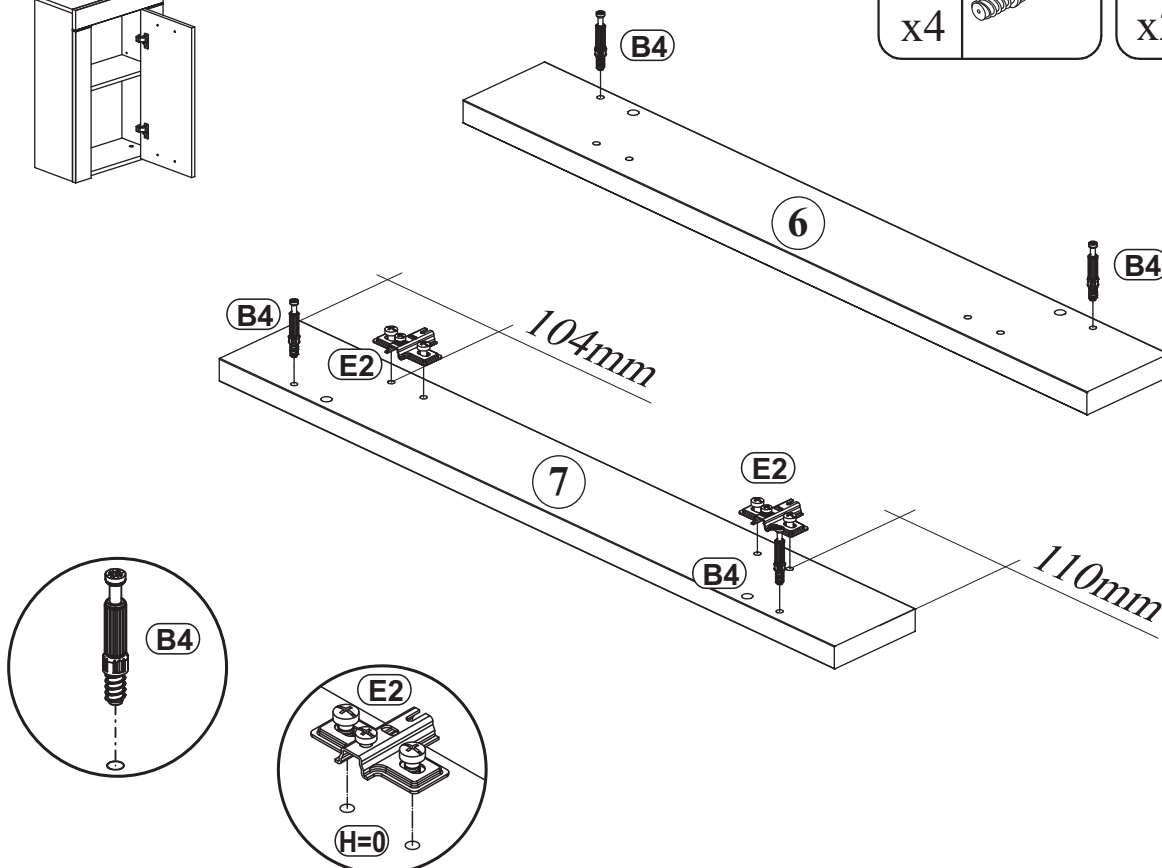
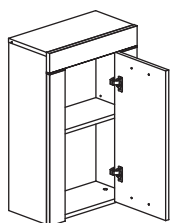
E12	
x2	H=2




3

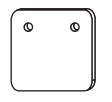
B4	
x4	

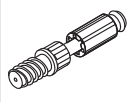
E12	
x2	H=2

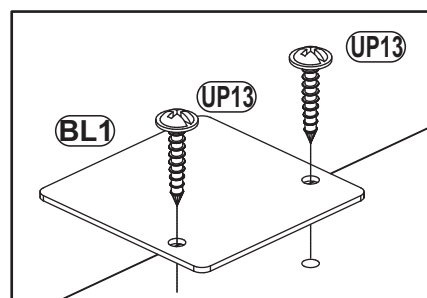
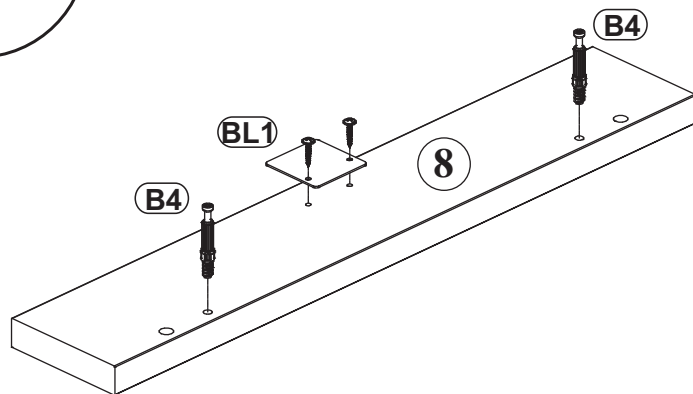
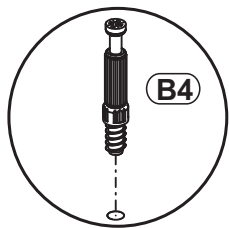


4


UP13	
x2	UPØ3x16

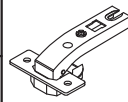
BL1	
x1	40X40

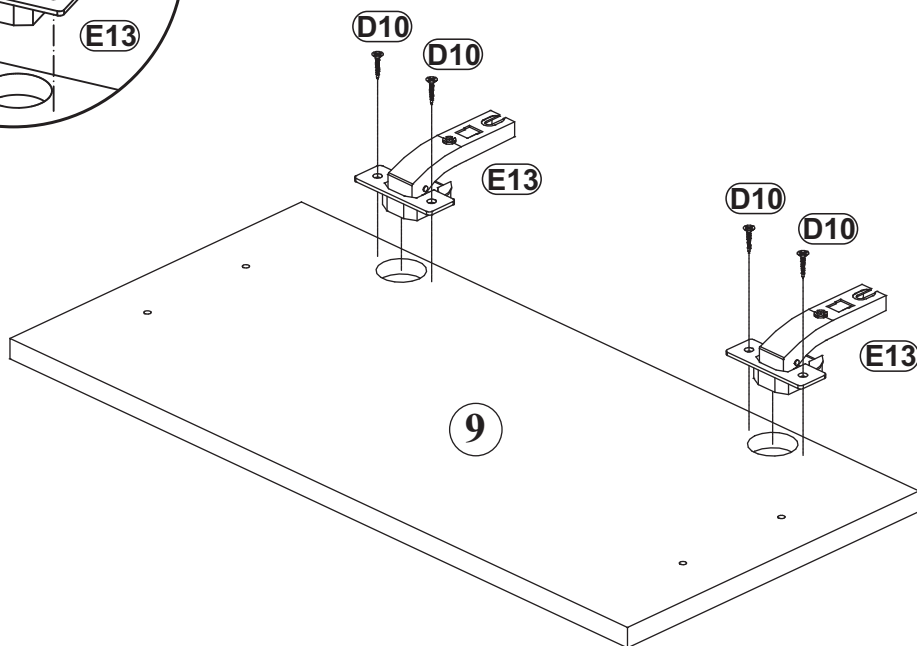
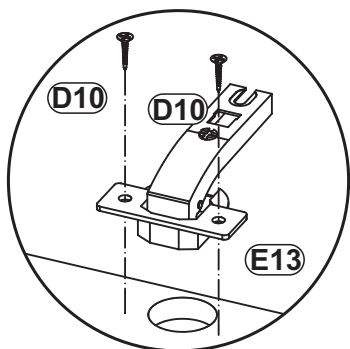
B4	
x2	



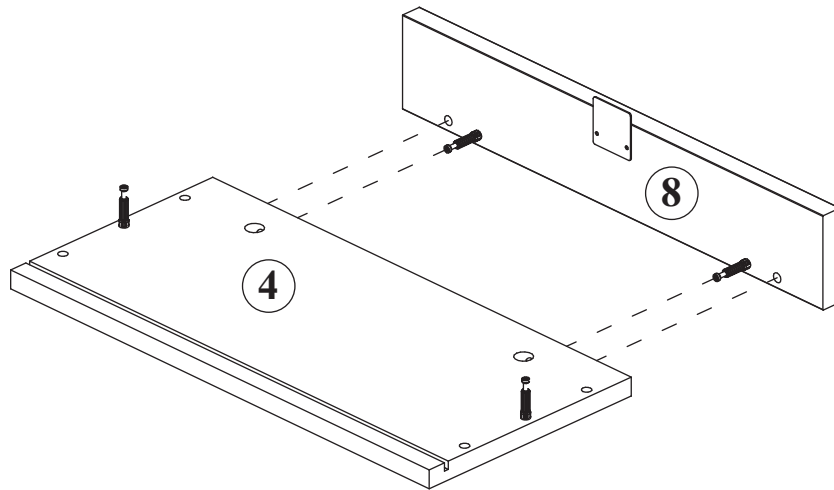
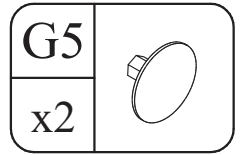
5

D10	
x4	USØ3,5x13

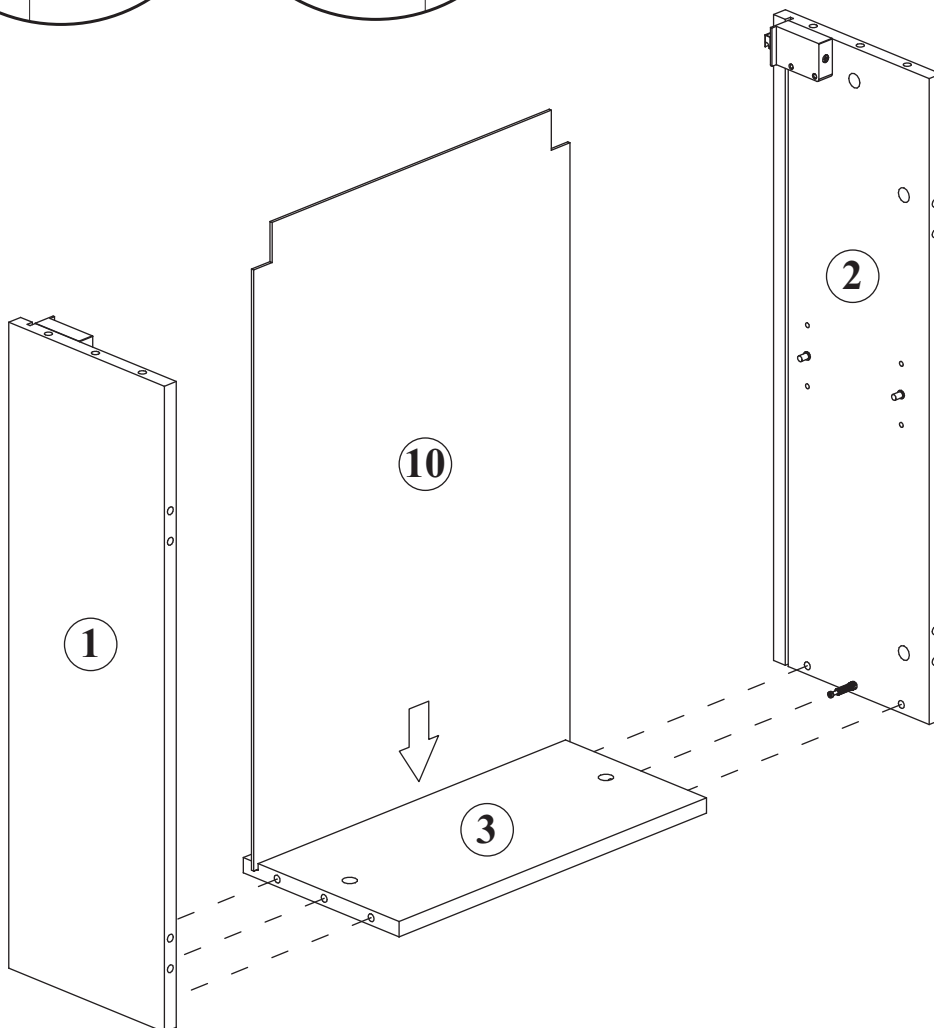
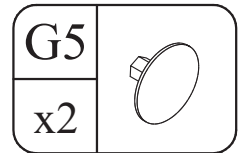
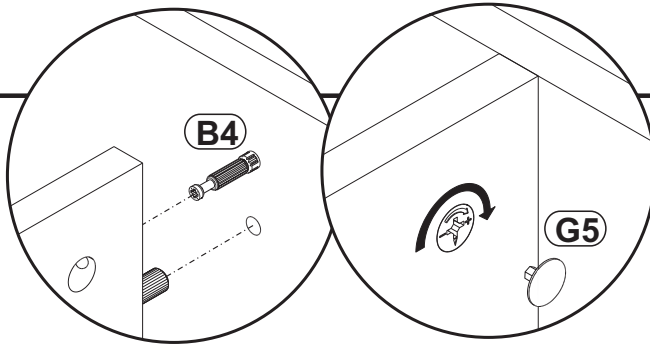
E13	
x2	



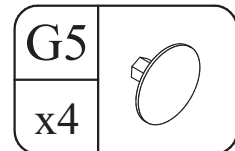
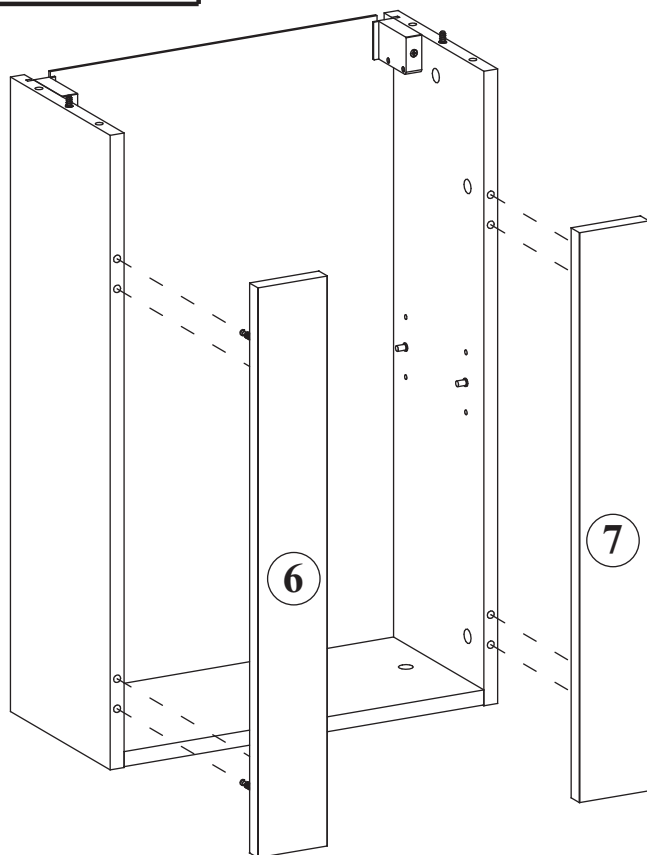
6



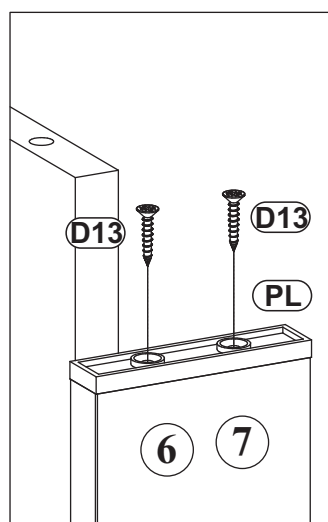
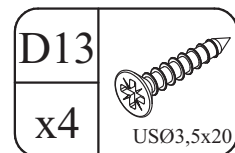
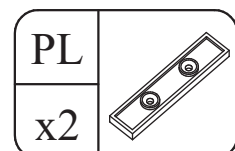
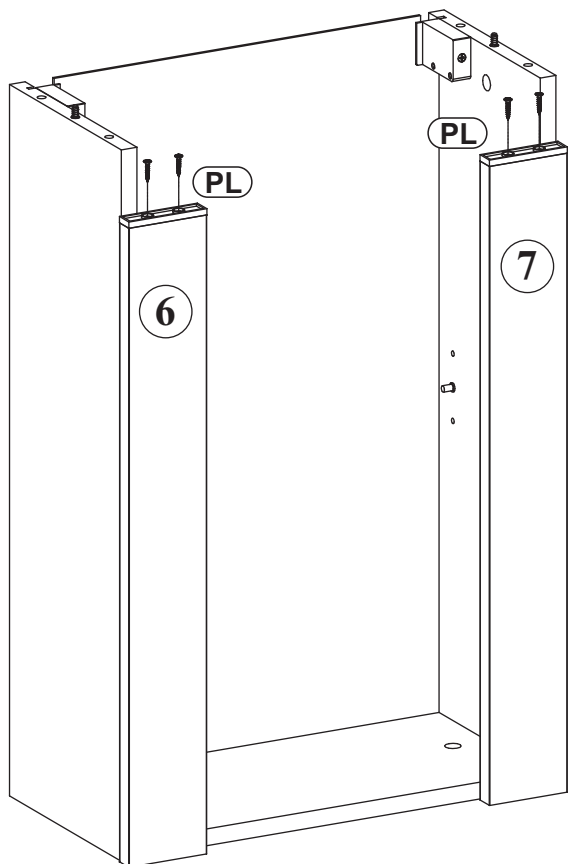
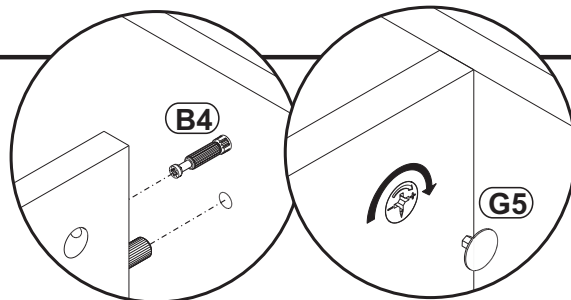
7



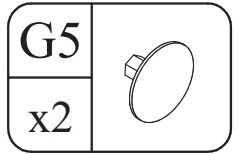
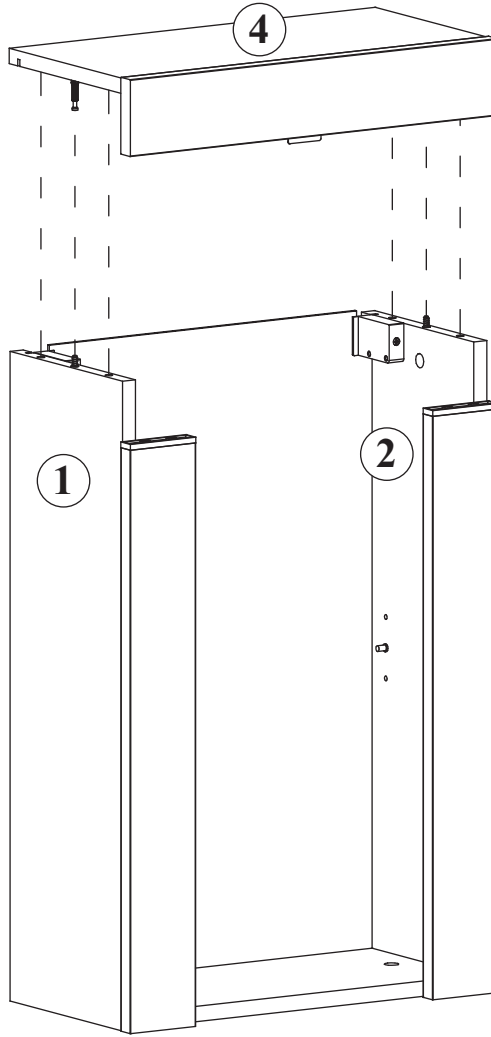
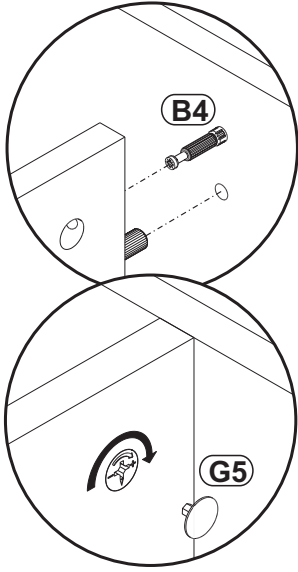
8



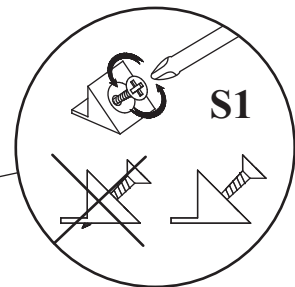
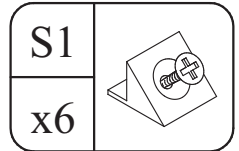
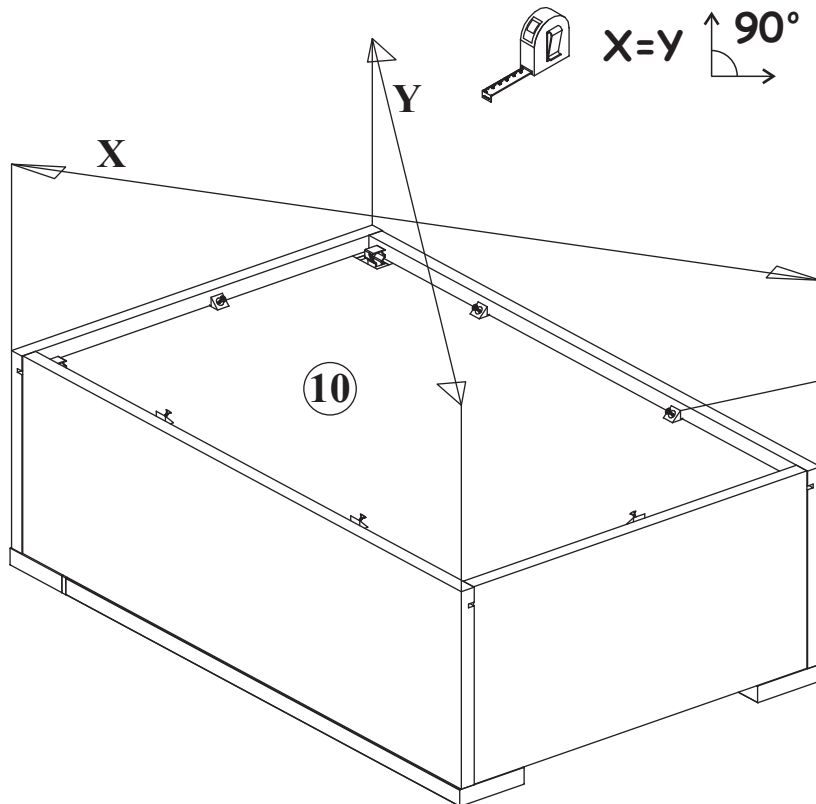
9



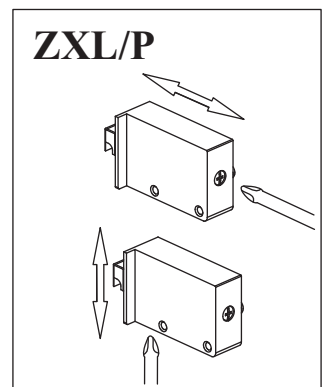
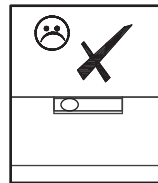
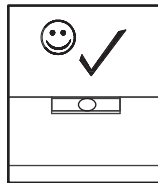
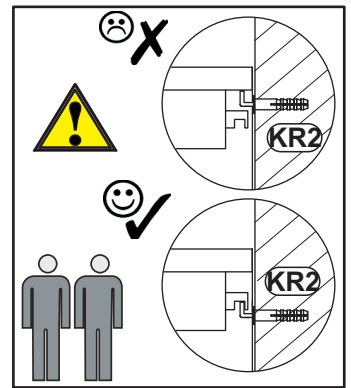
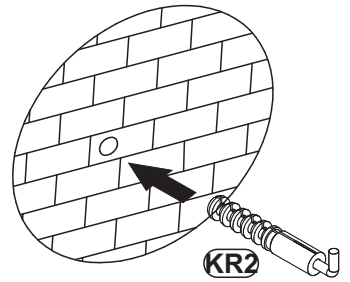
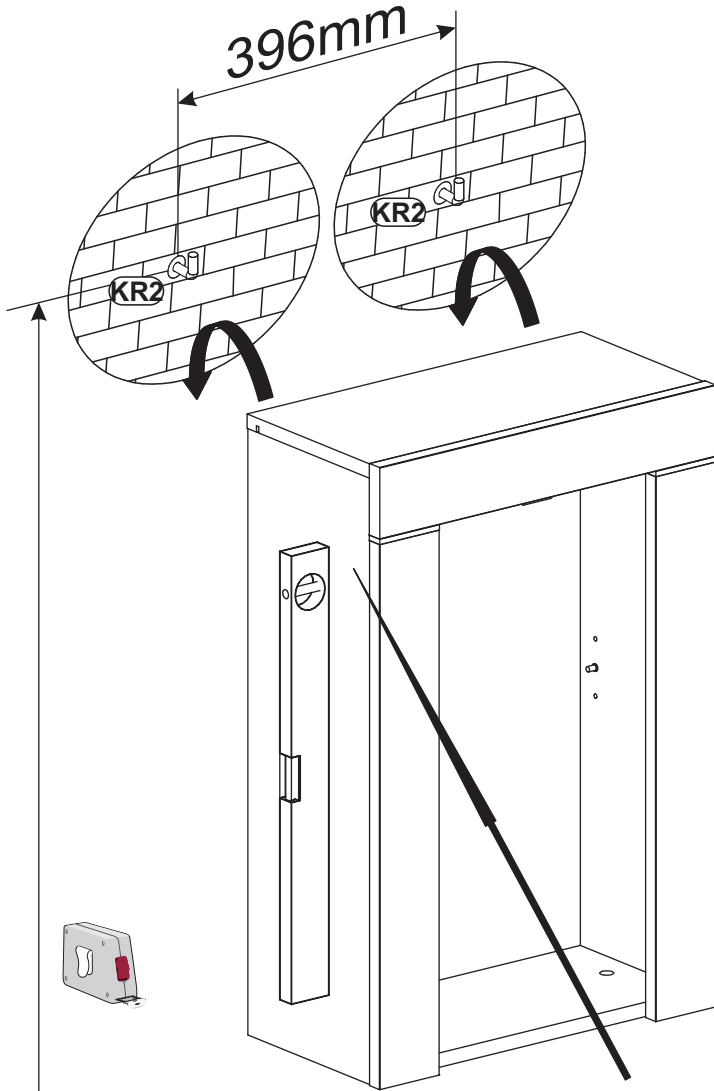
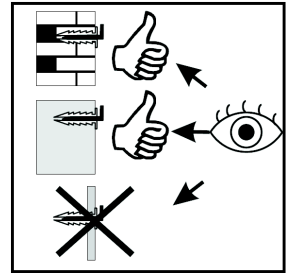
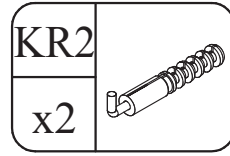
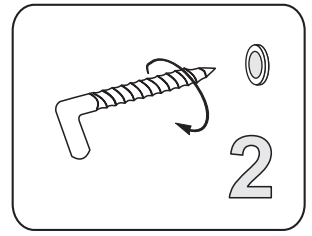
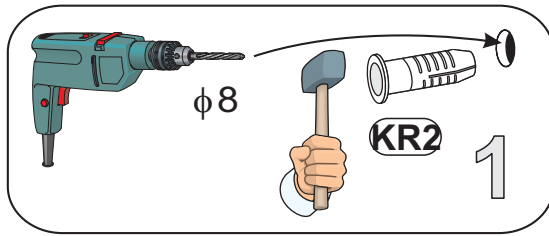
10



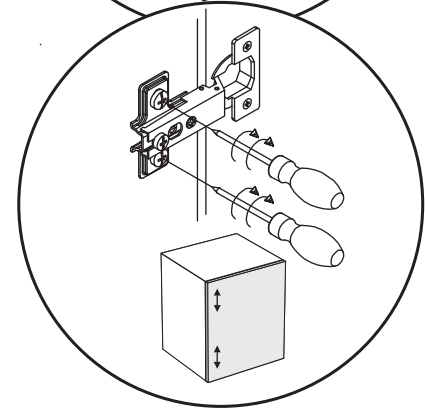
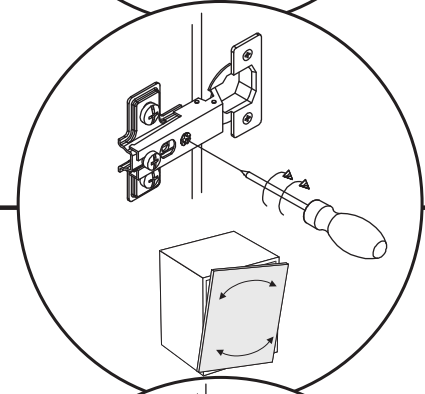
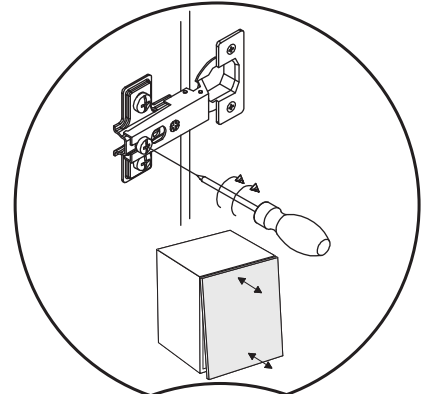
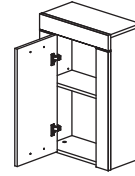
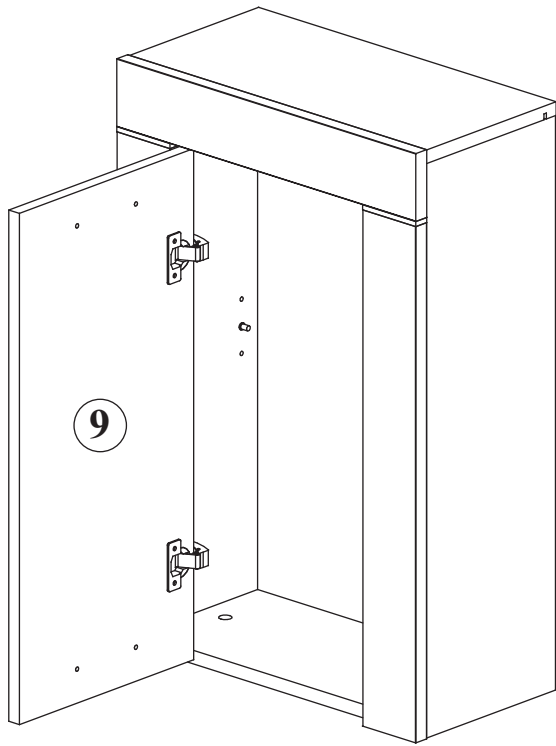
11



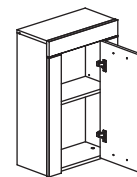
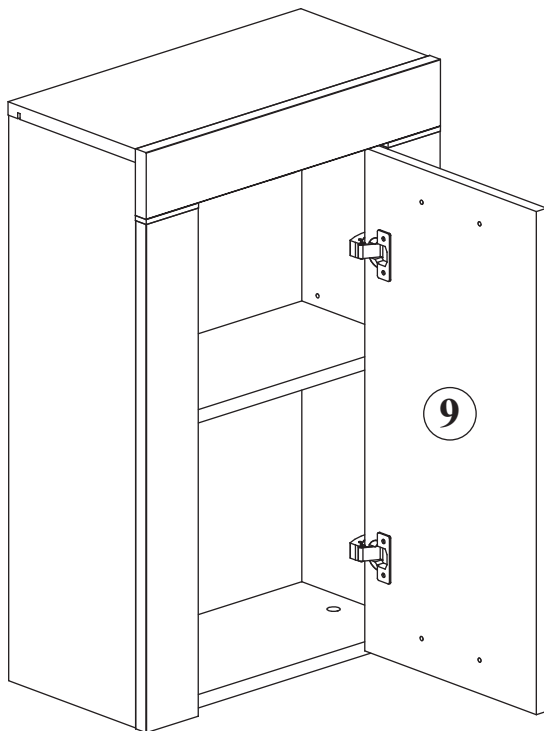
12



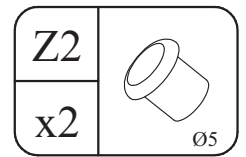
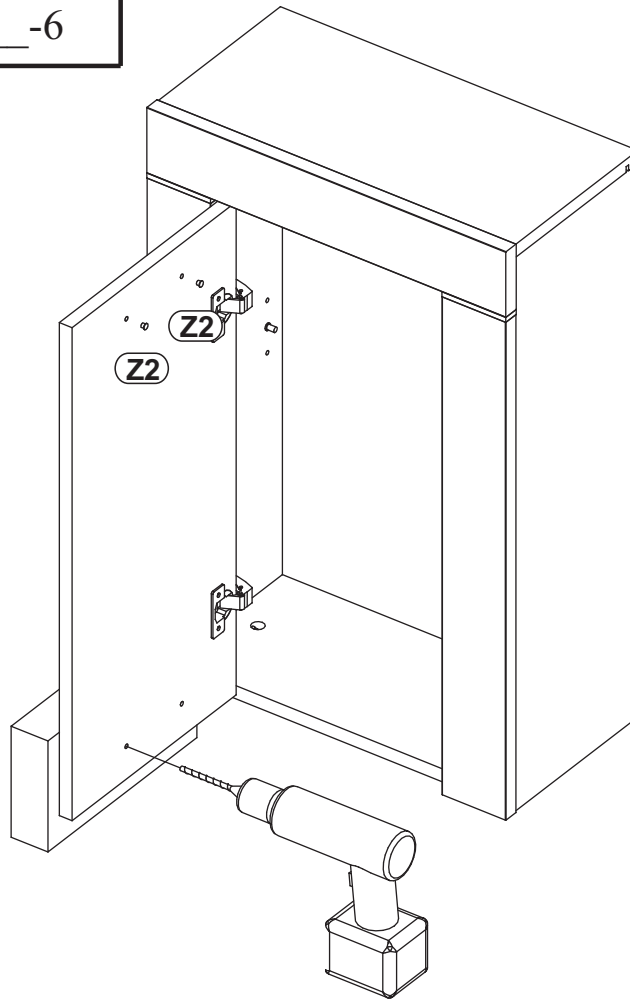
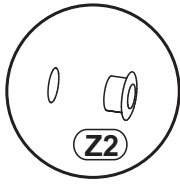
13



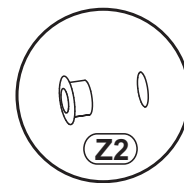
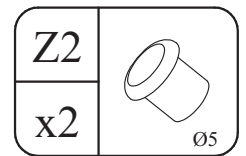
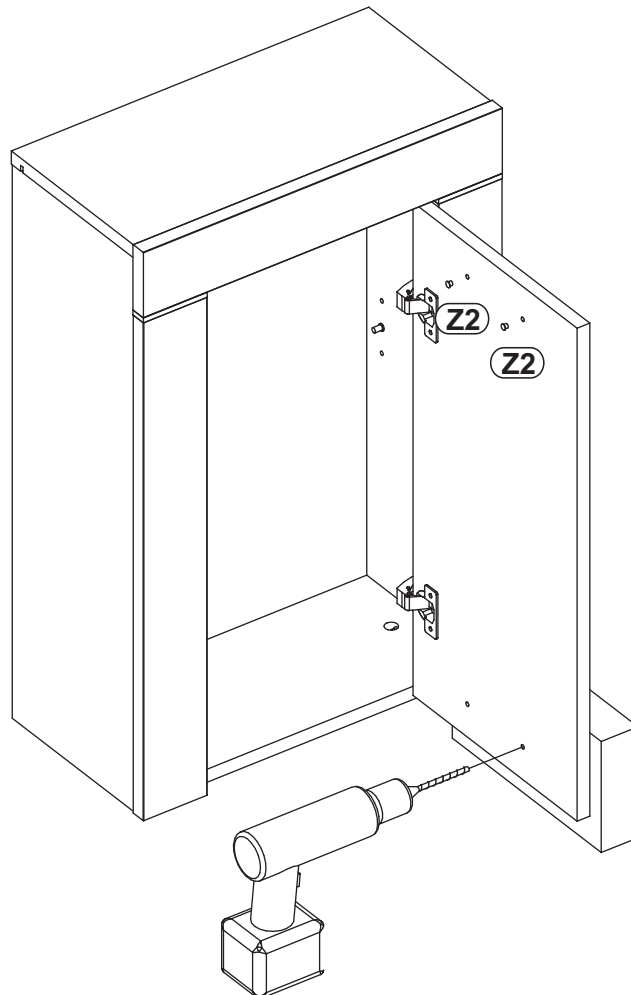
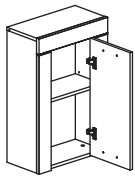
13



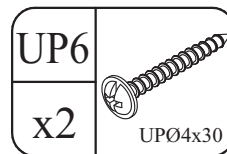
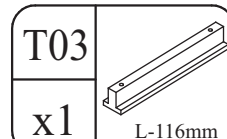
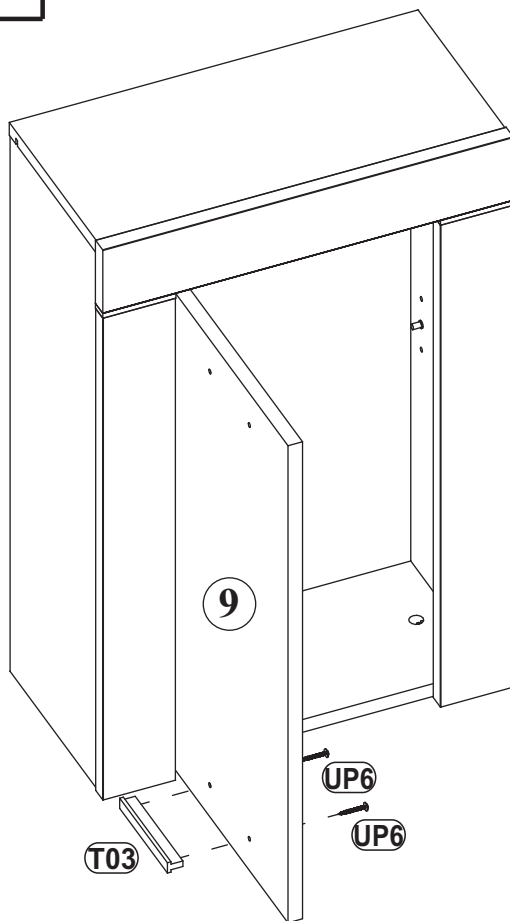
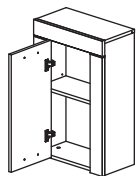
14



14



15



15

