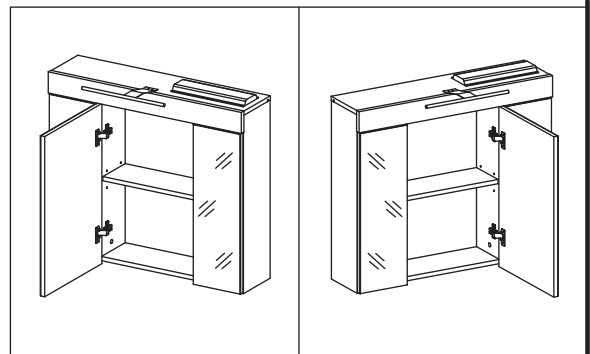
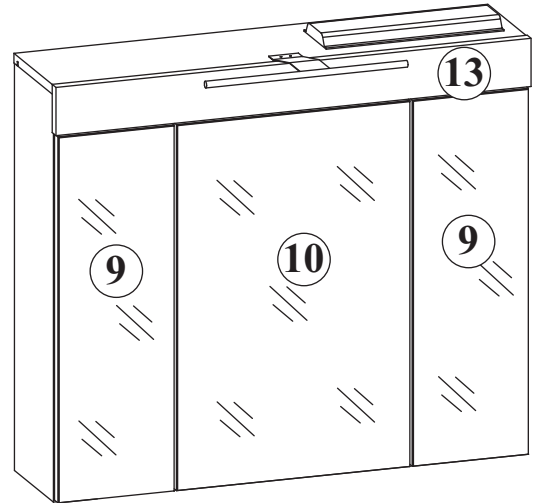
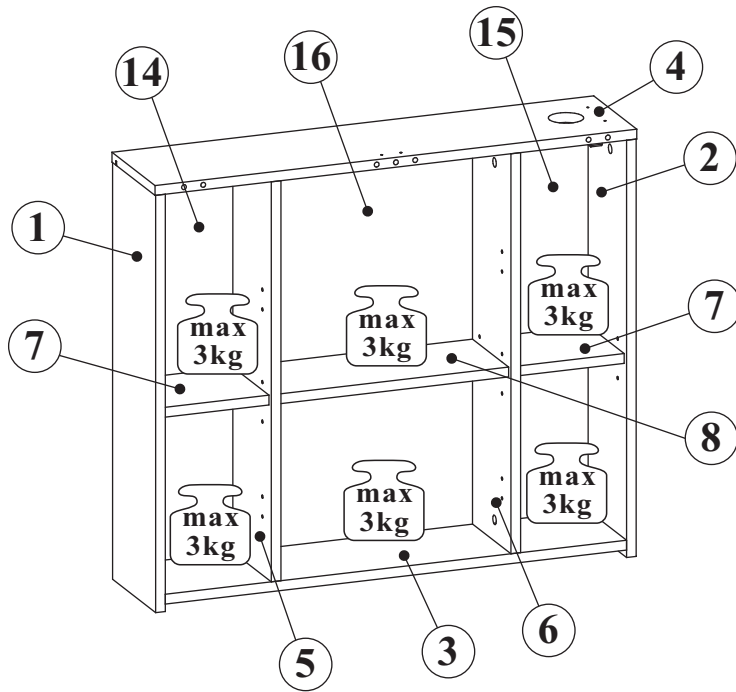
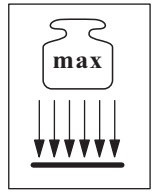
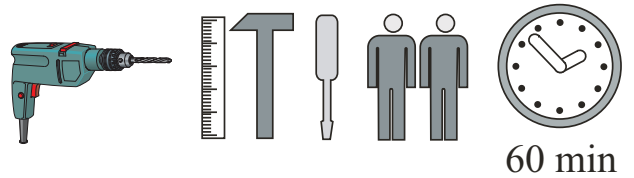


# BALIN 54-185-\_\_-6

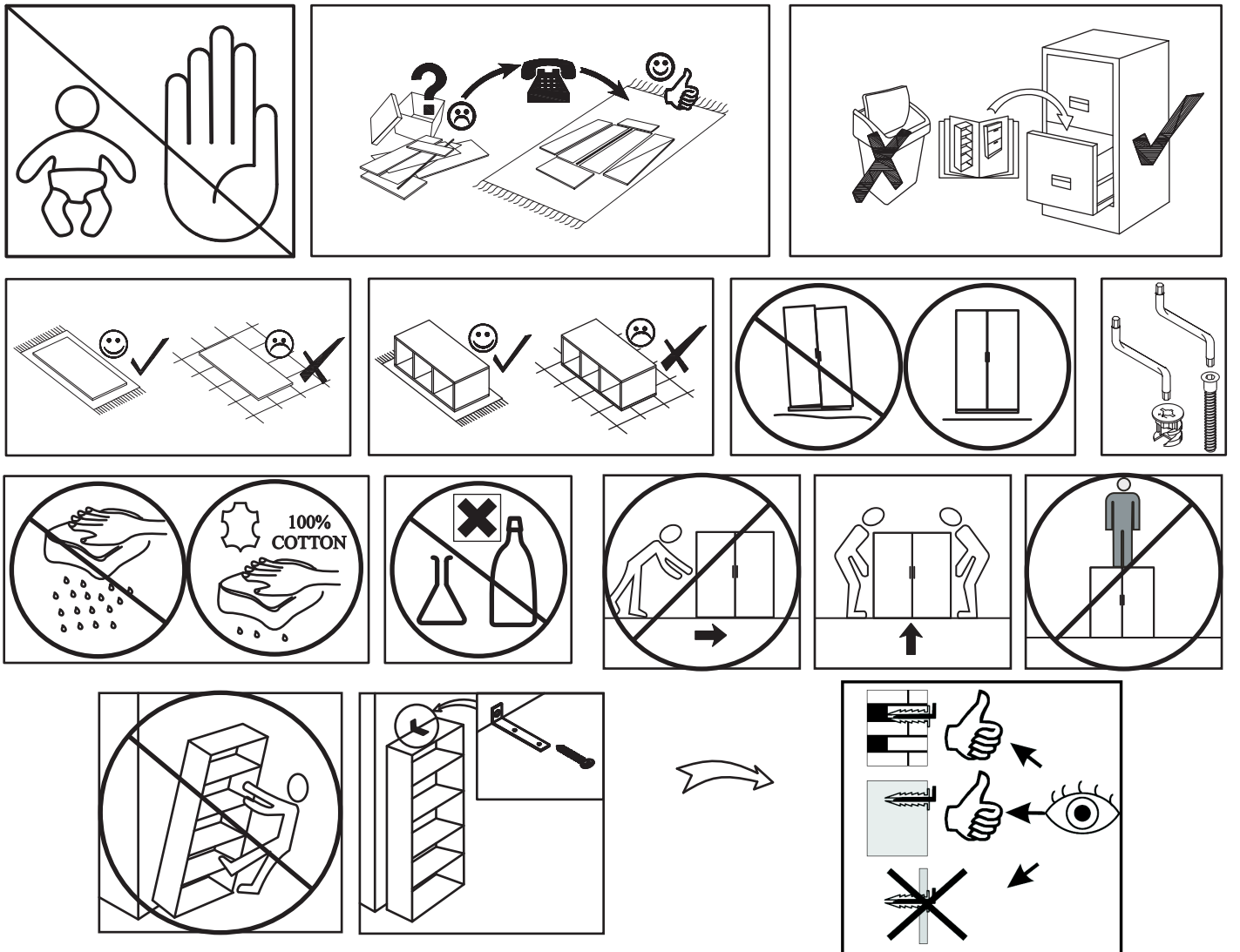
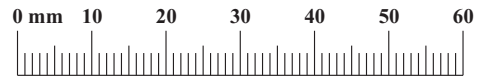
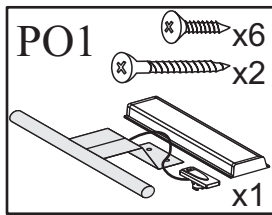


NO	Dim.		Col.-No	Qty
1	677	184	1	1
2	677	184	1	1
3	766	184	1	1
4	800	184	1	1
5	649	164	1	1
6	649	164	1	1
7	176	154	1	2
8	382	154	1	1
9	608	196	1	2
10	608	394	1	1
13	802	80	1	1
14	661	189	1	1
15	661	189	1	1
16	661	396	1	1

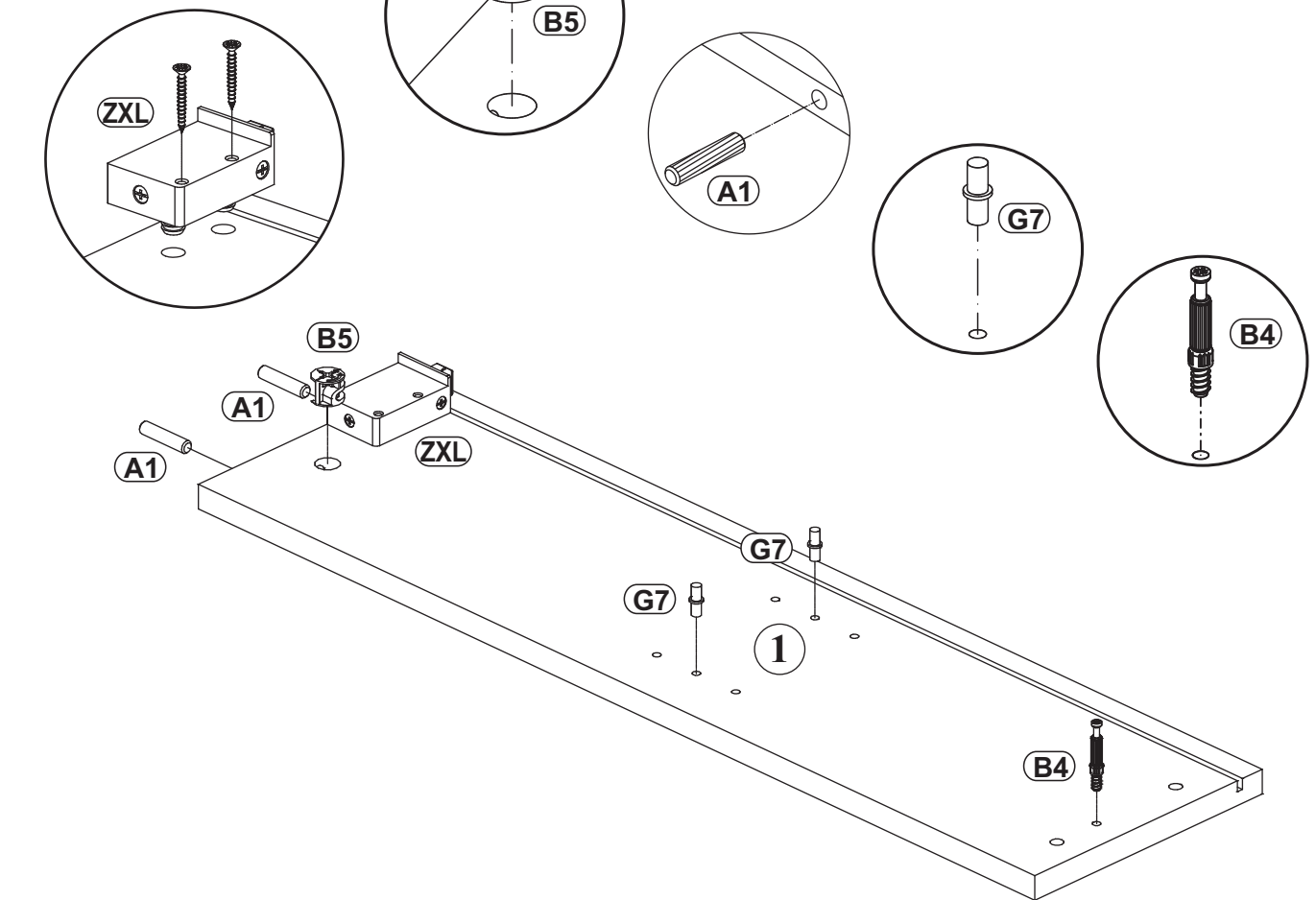
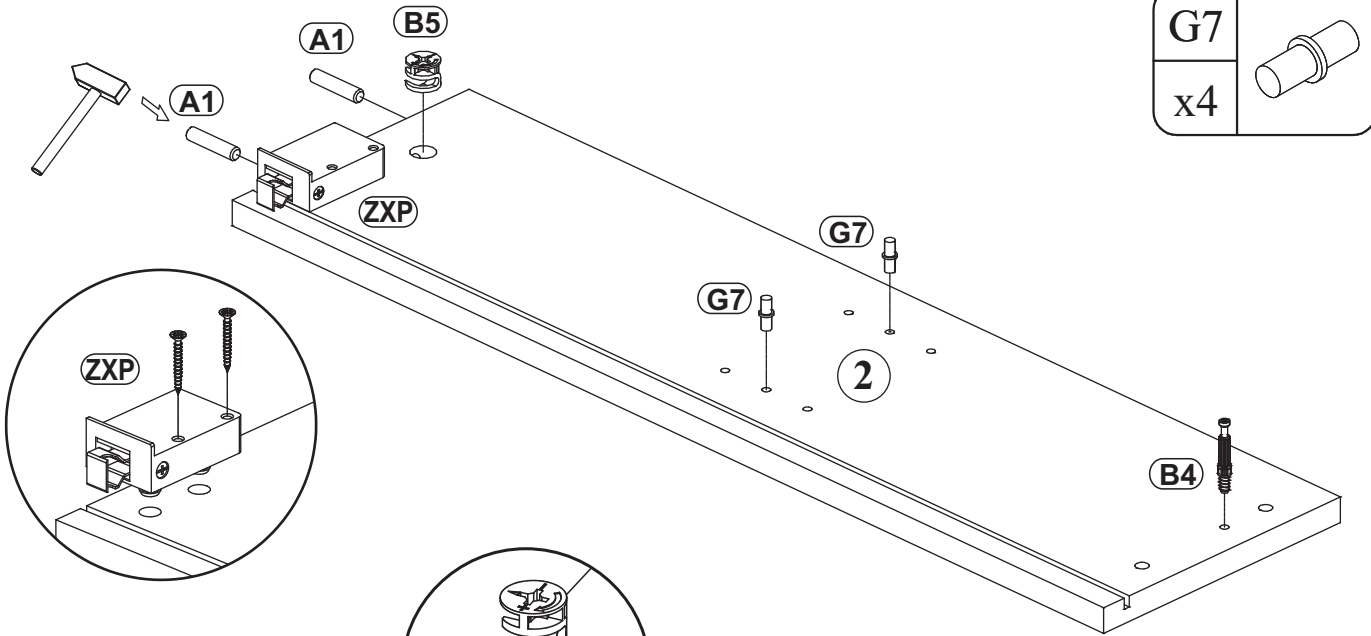
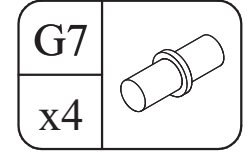
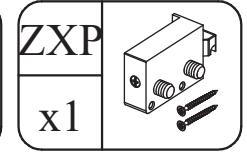
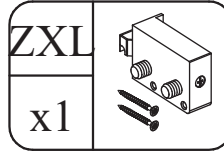
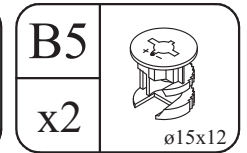
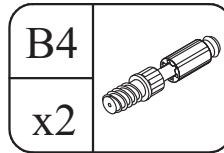
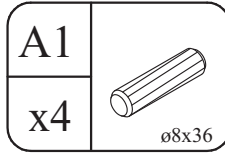


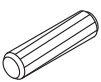
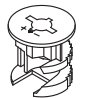
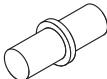
60 min

A1 x20 ø8x36	B4 x11	B5 x11 ø15x12	G5 x11	ZXL x1	ZXP x1
E23 x6 Ø35 H=8	E2 x6 H=0	D10 x12 USØ3,5x13	Z2 x4 Ø5	G7 x12	S1 x12
G16 x8	UP13 x10 UPØ3x16	KR2 x2	G2 x1		

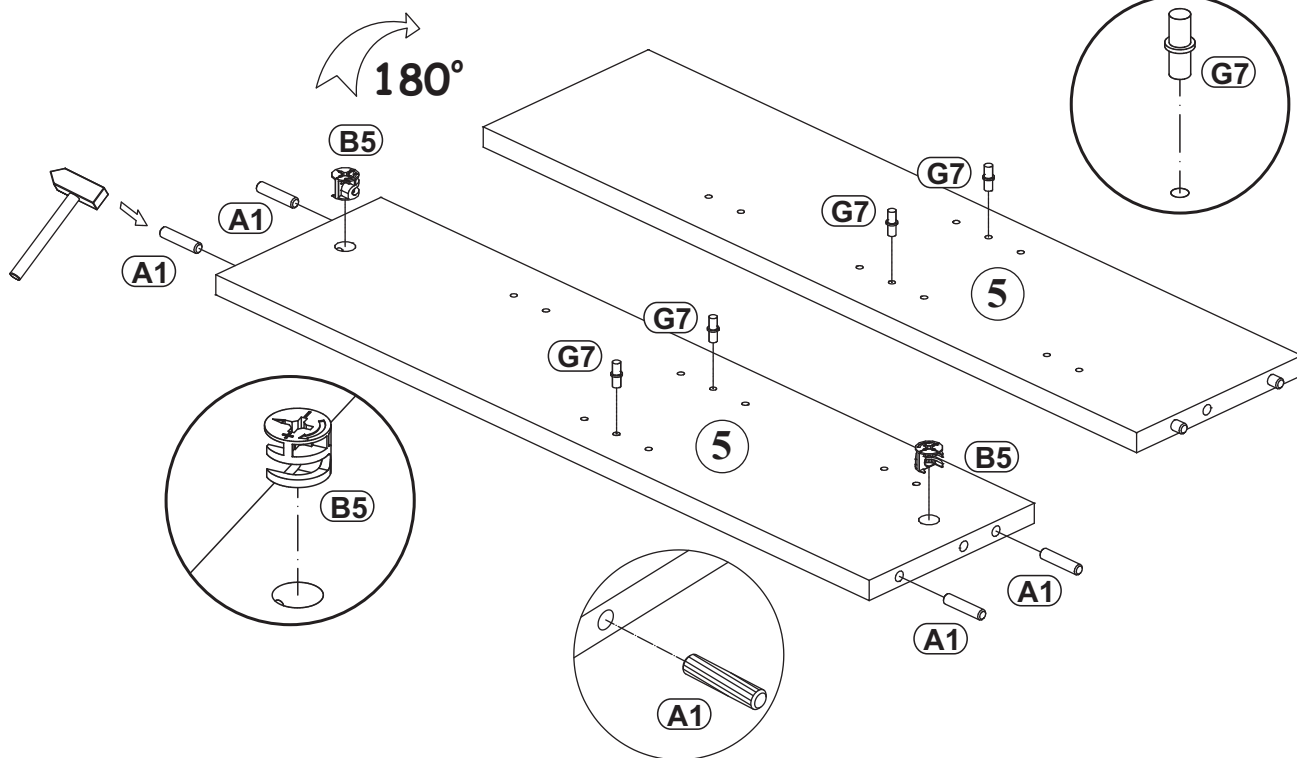


1

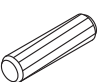

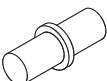


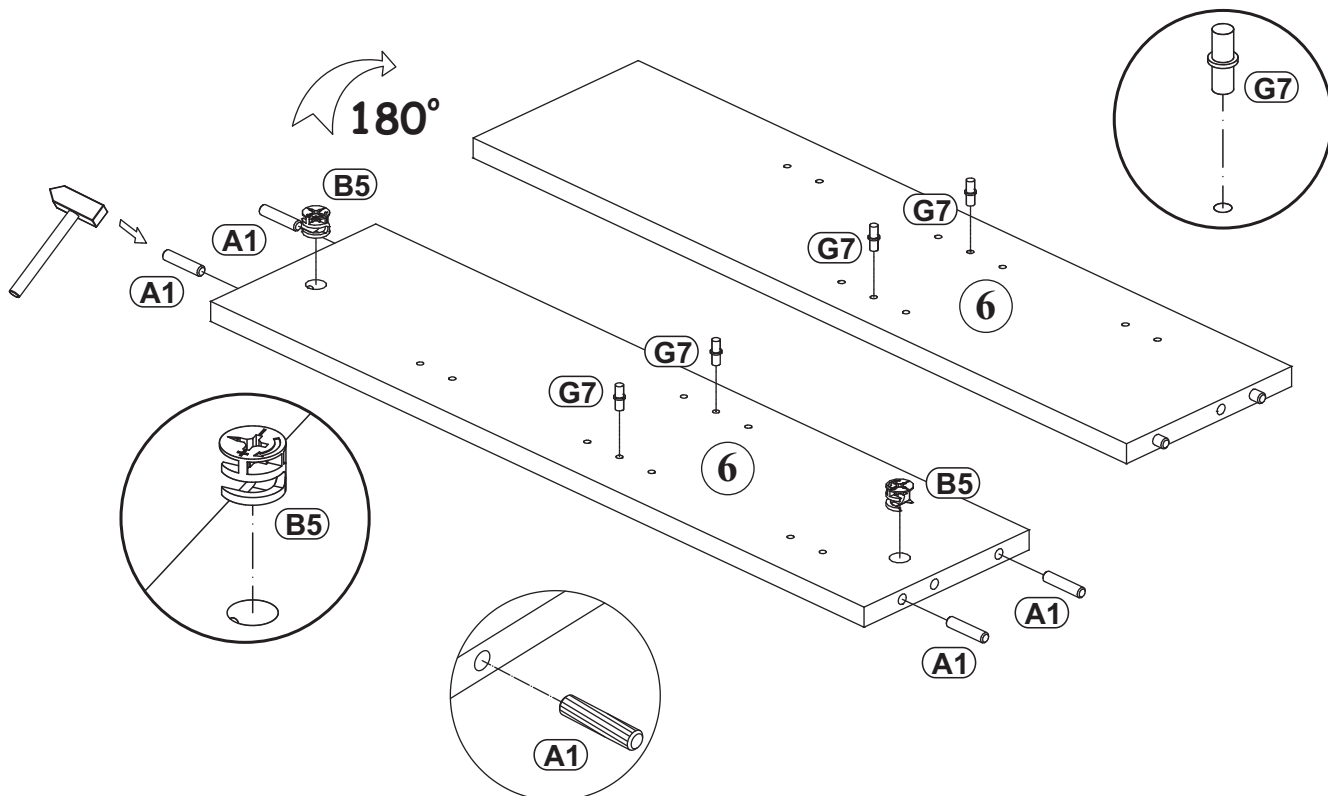
A1		B5		G7	
x4	ø8x36	x2	ø15x12	x4	

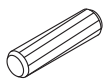
2

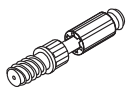


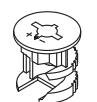
3

A1		B5		G7	
x4	ø8x36	x2	ø15x12	x4	

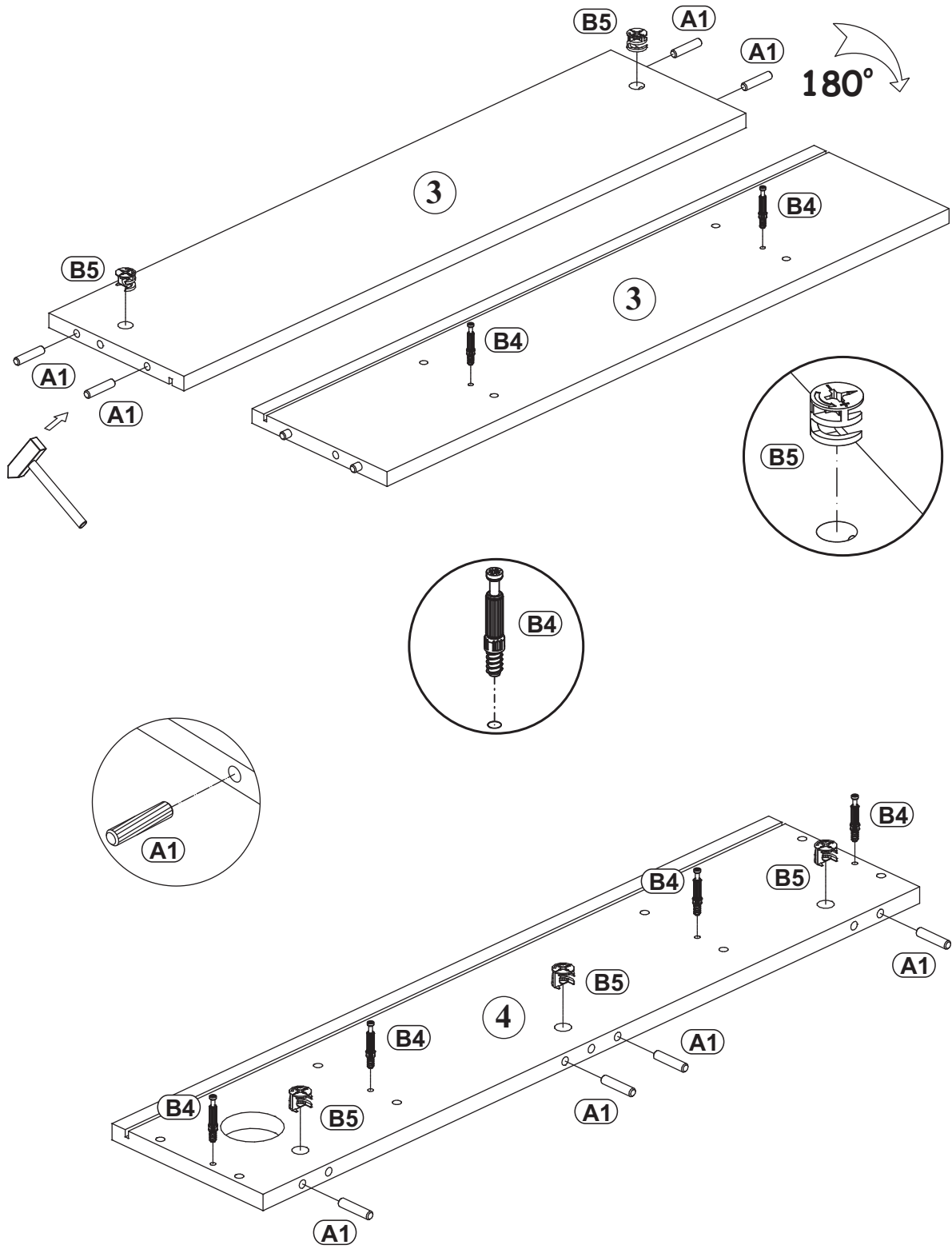


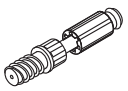
A1	
x8	ø8x36

B4	
x6	

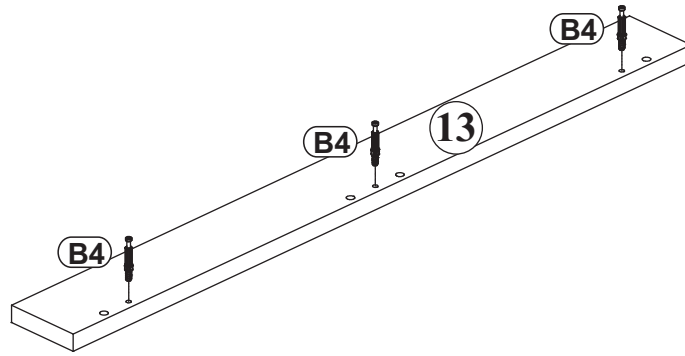
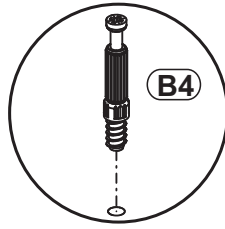
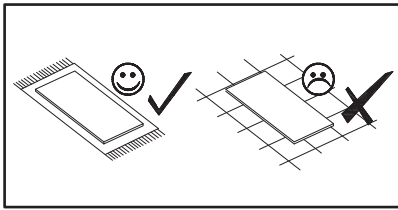
B5	
x5	ø15x12

4

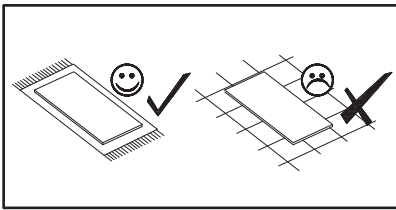


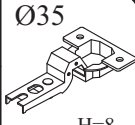

B4	
x3	

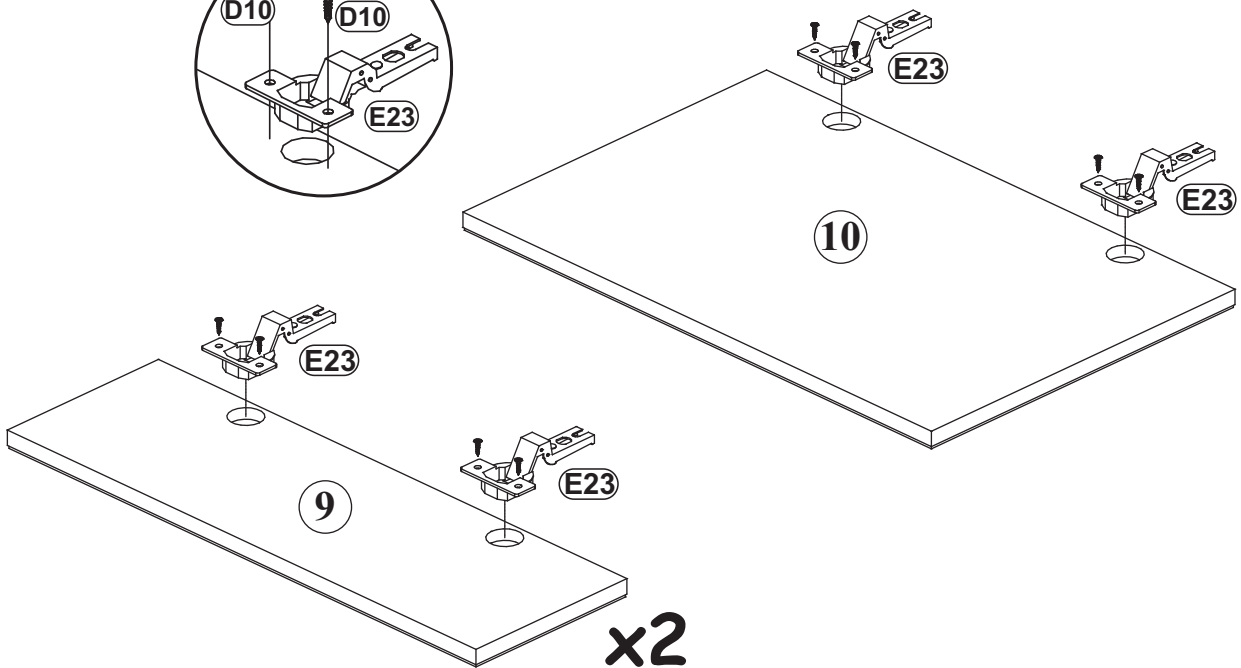
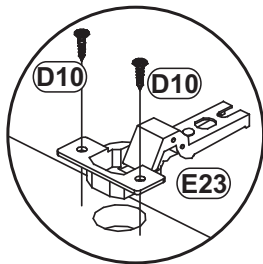
5



6

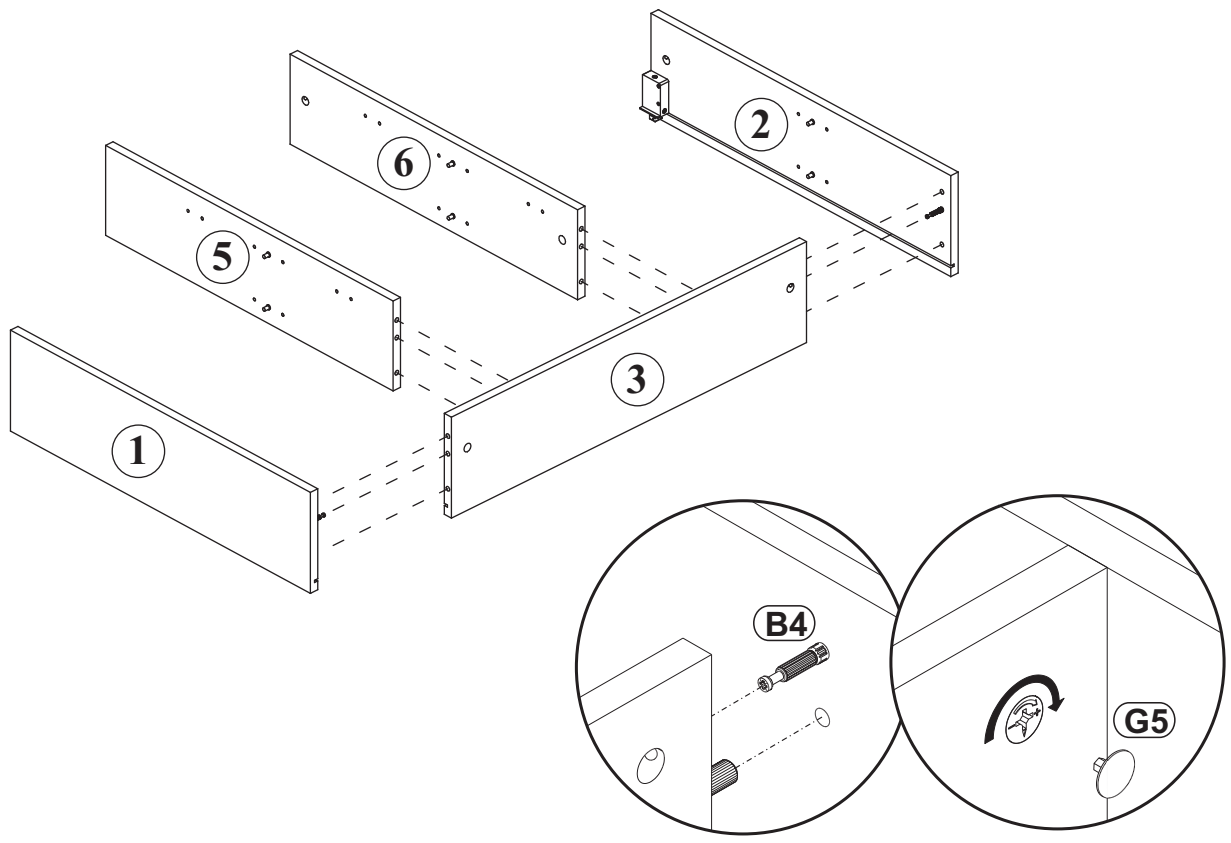


E23	 Ø35 H=8	D10	
x6		x12	USØ3,5x13

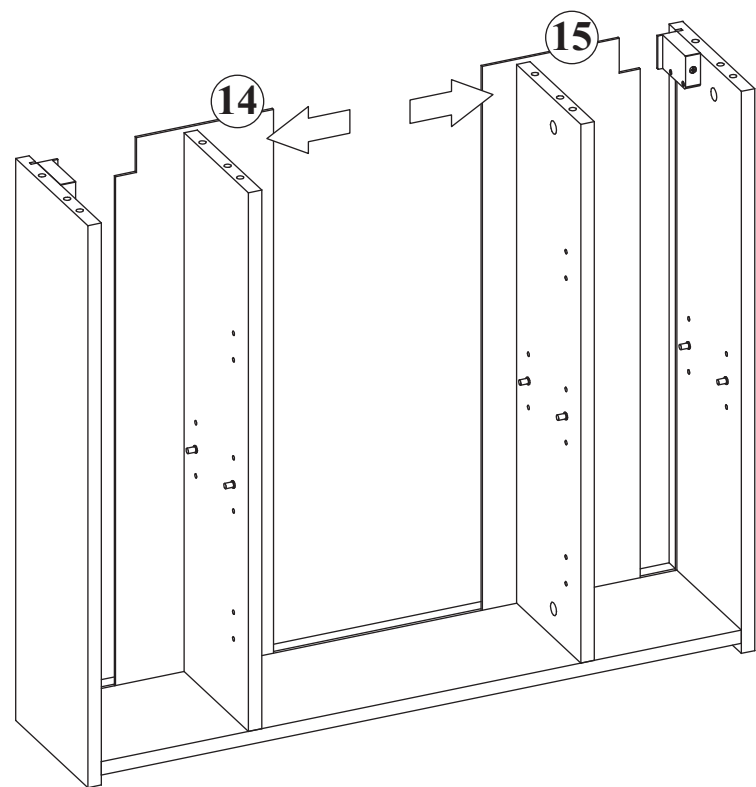



x2

7

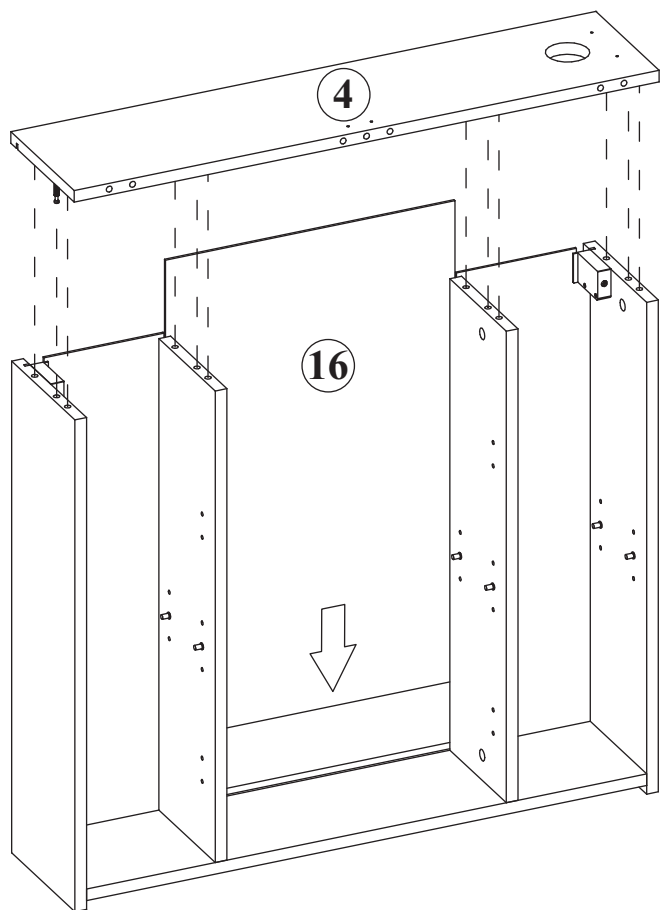


8



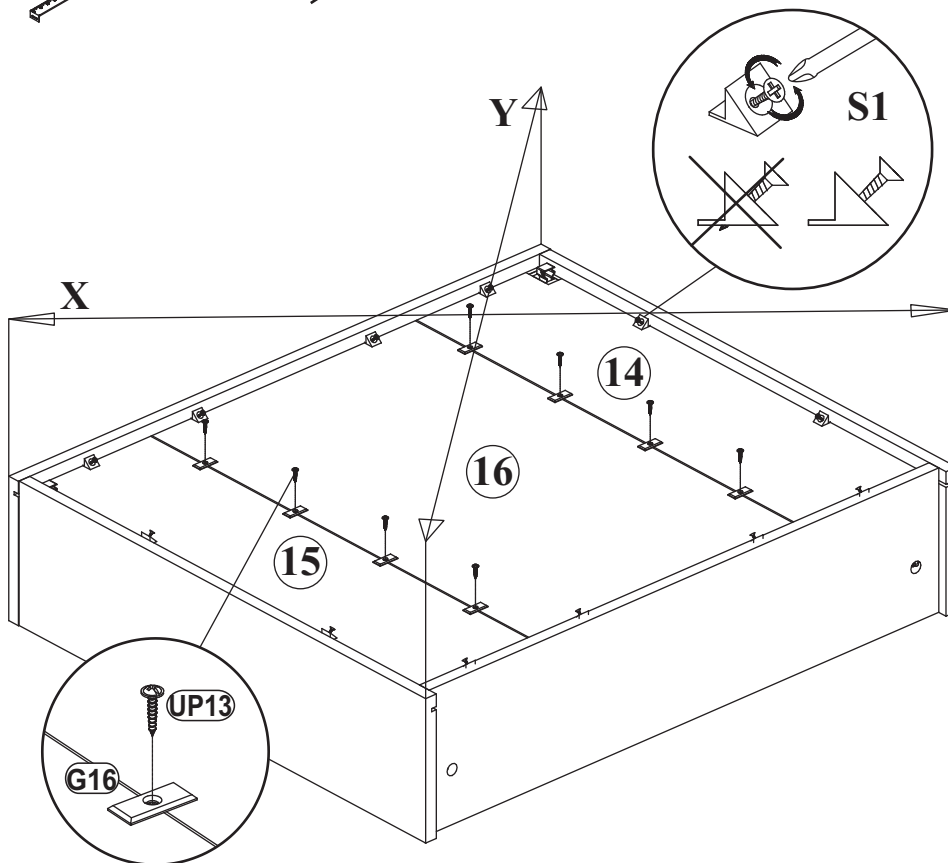
G5	
x4	

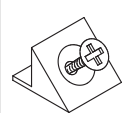
9

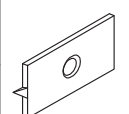



180°

10




S1	
x12	

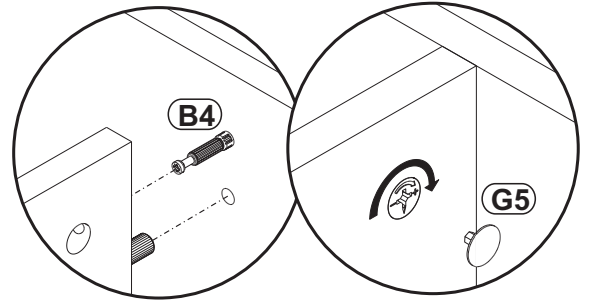
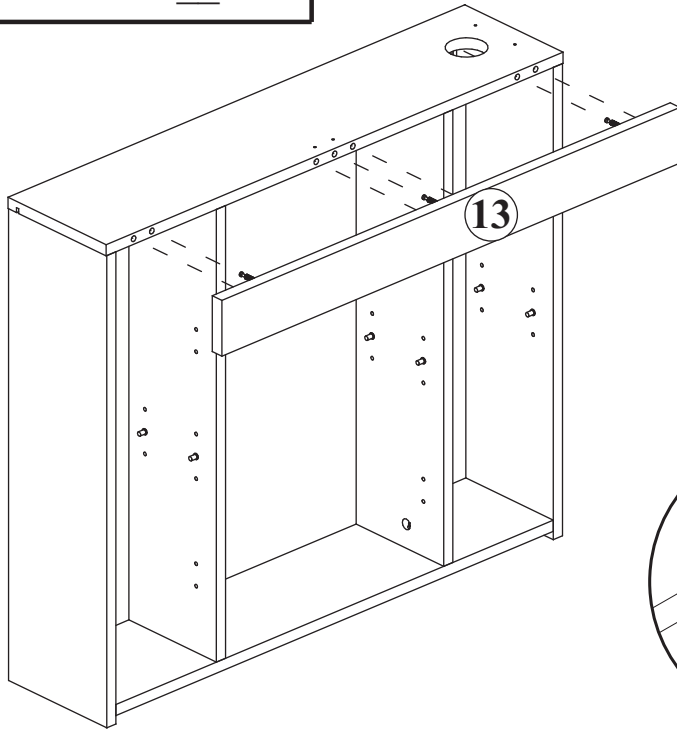
G16	
x8	

UP13	
x8	UP03x16

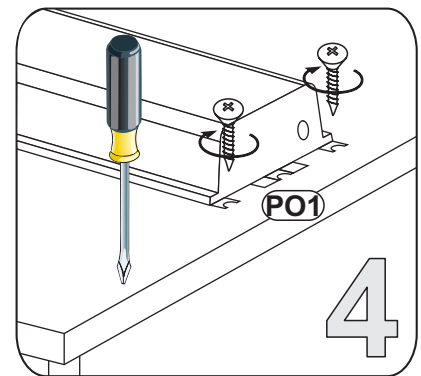
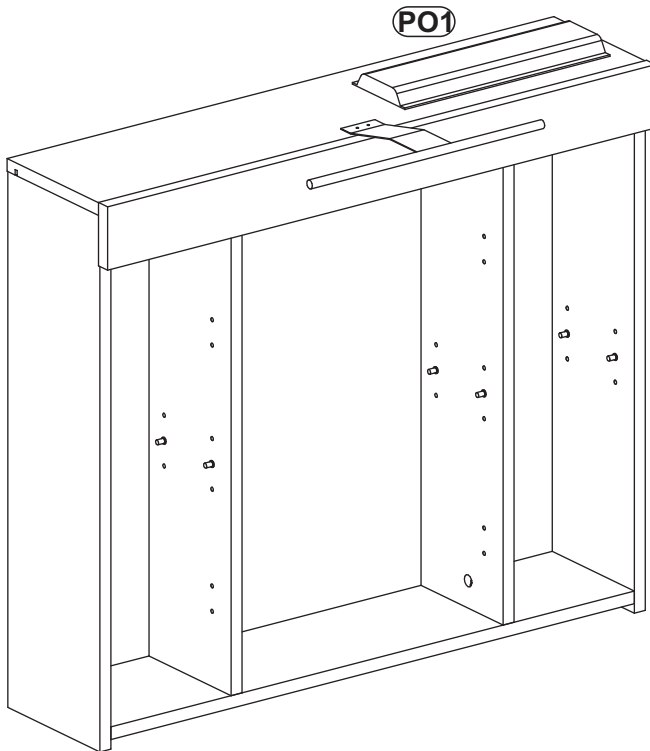
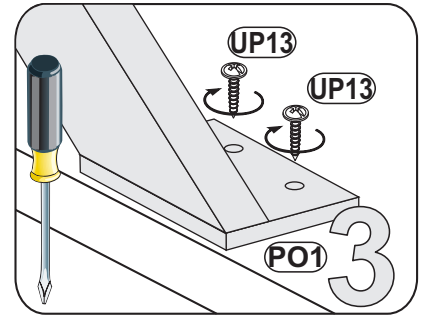
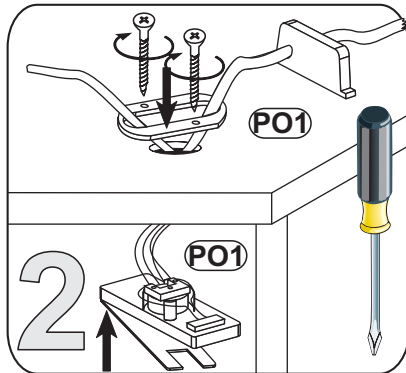
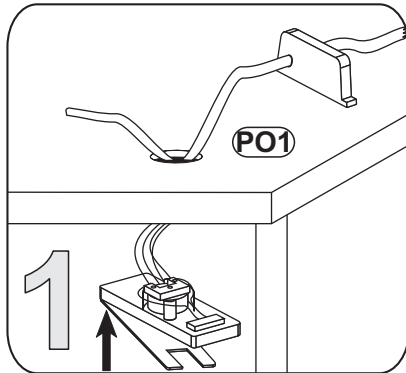



G5	
x3	

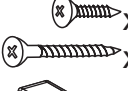
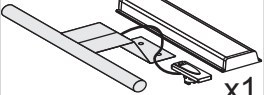
11



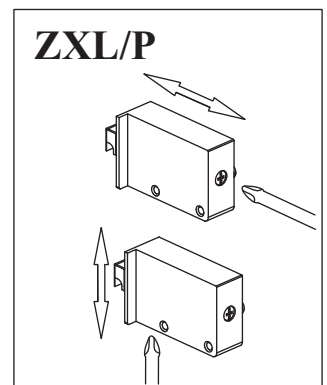
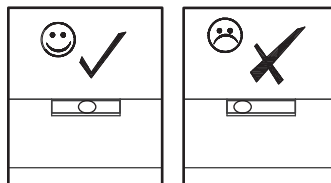
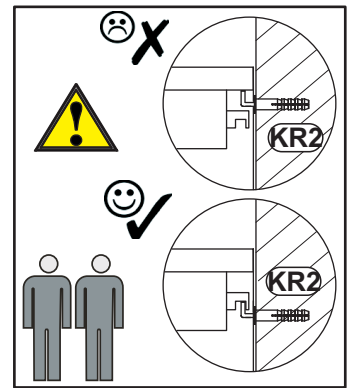
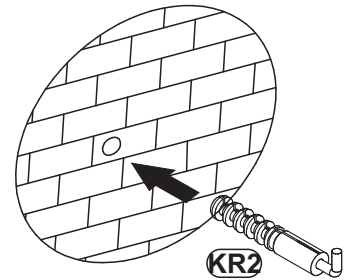
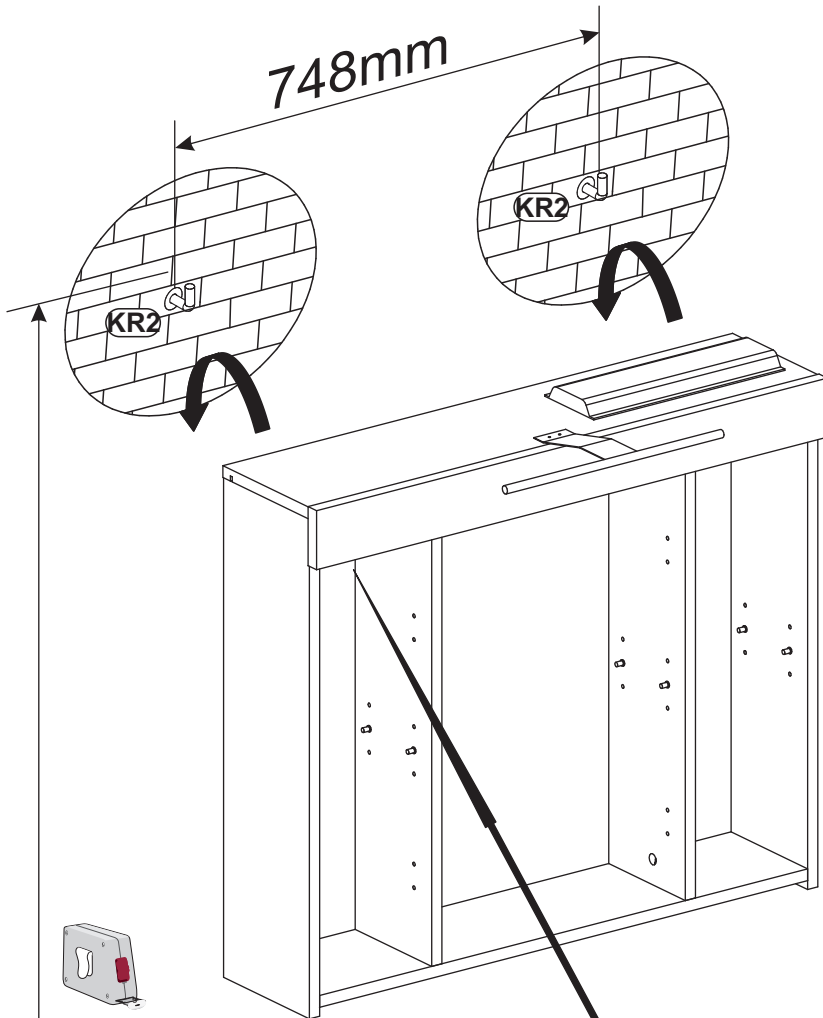
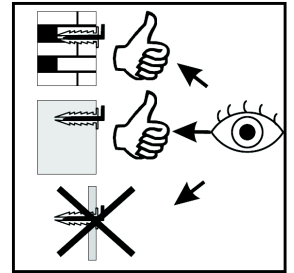
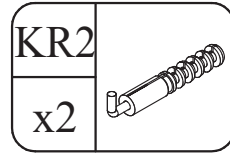
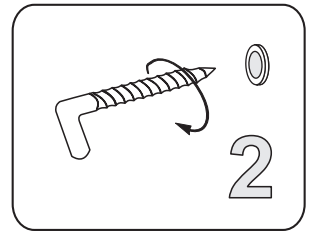
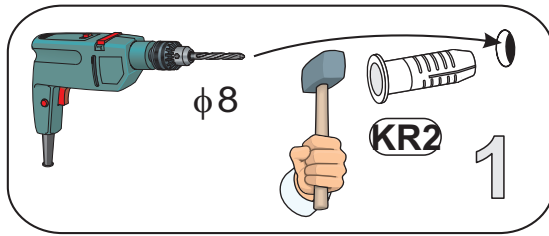
12

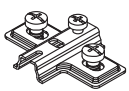


UP13	
x2	UPØ3x16

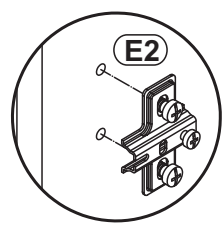
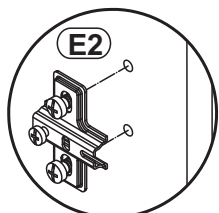
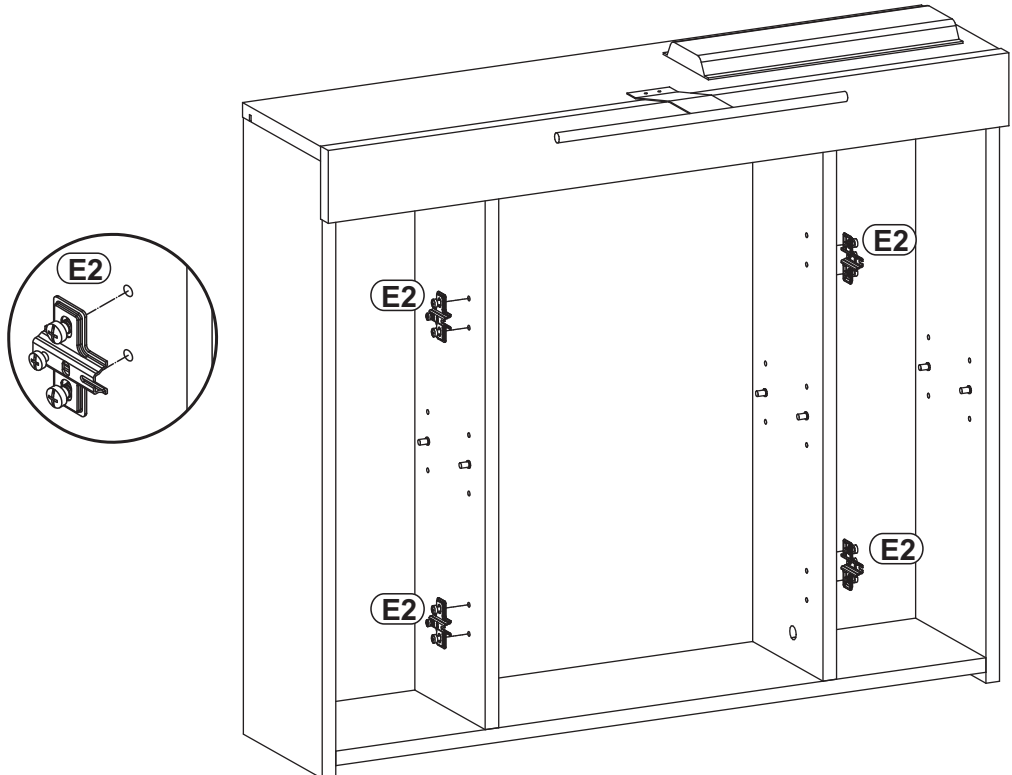
PO1	
x6	
x2	
	
x1	

13

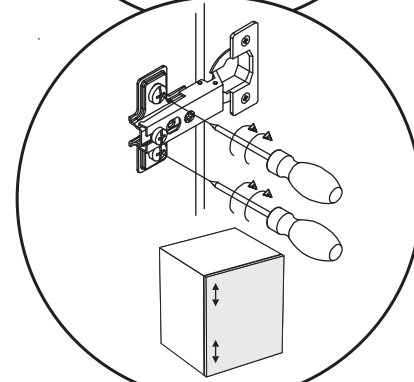
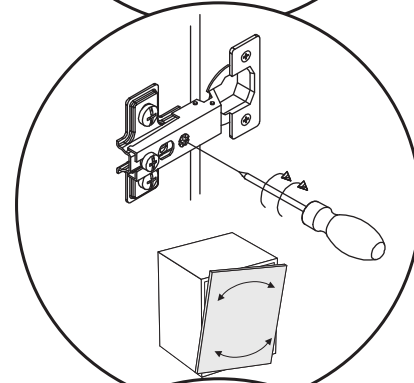
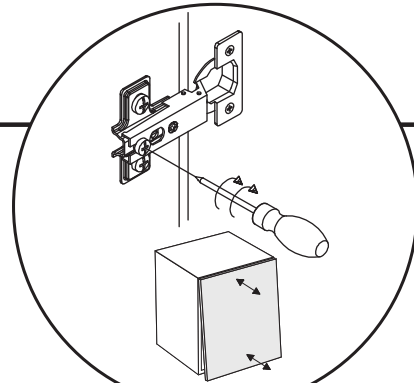
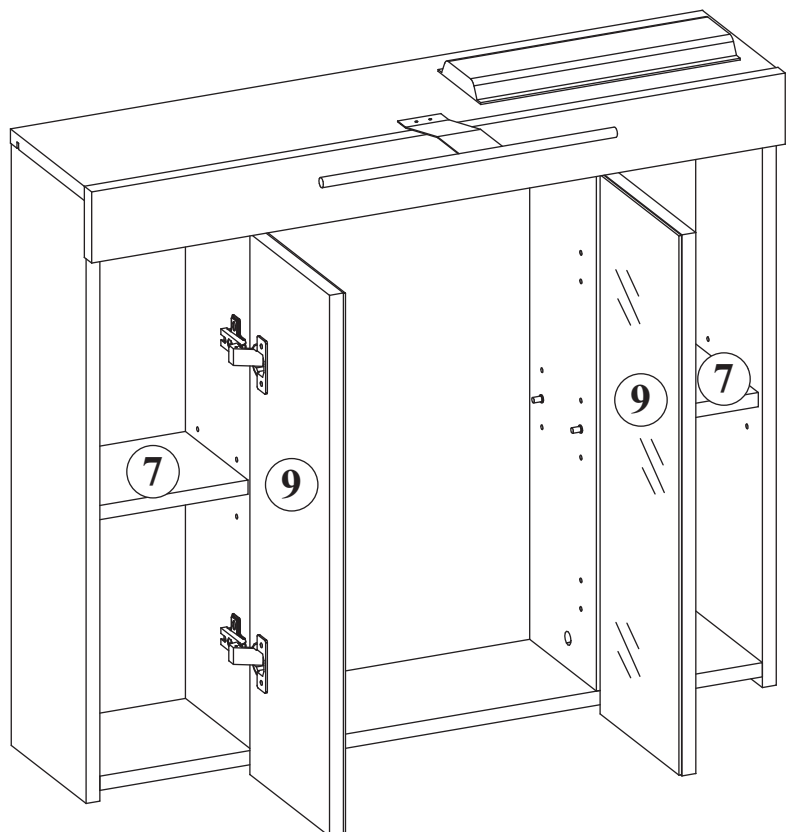


E2	 H=0
x4	

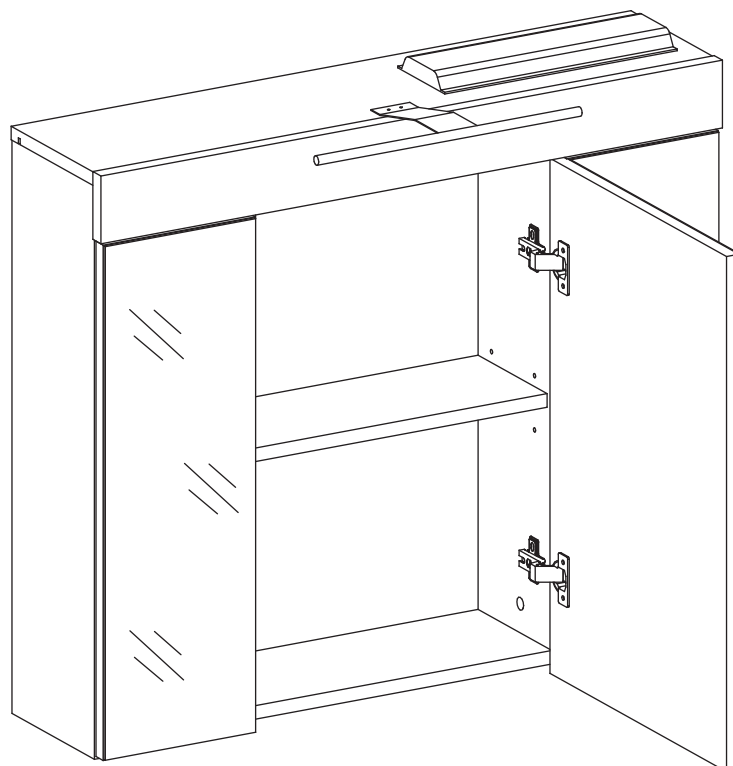
14



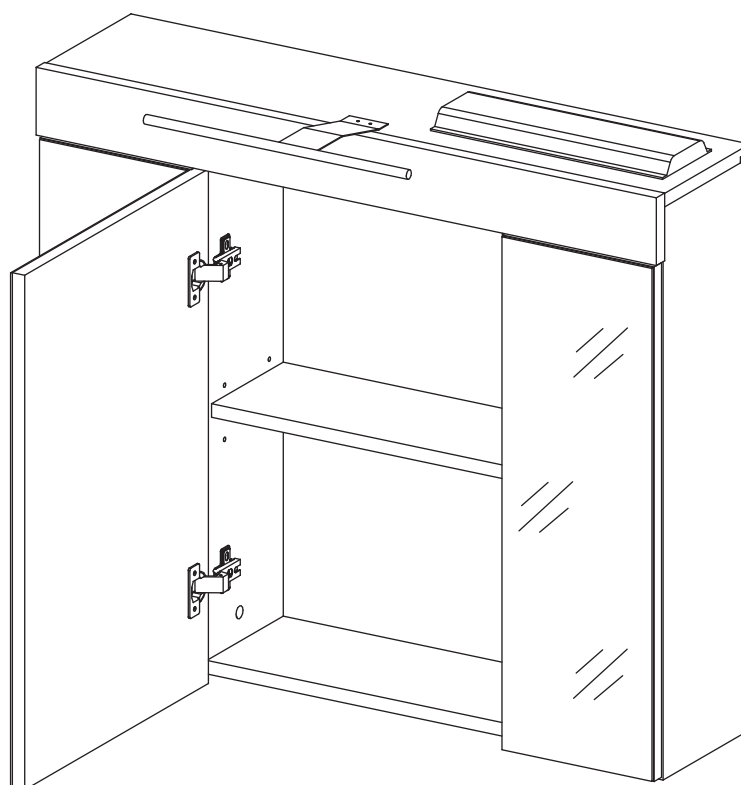
15



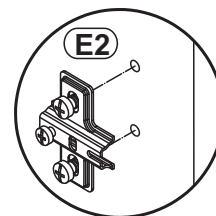
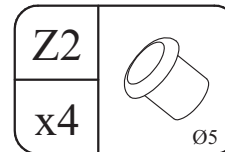
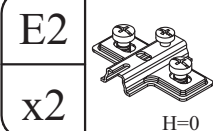
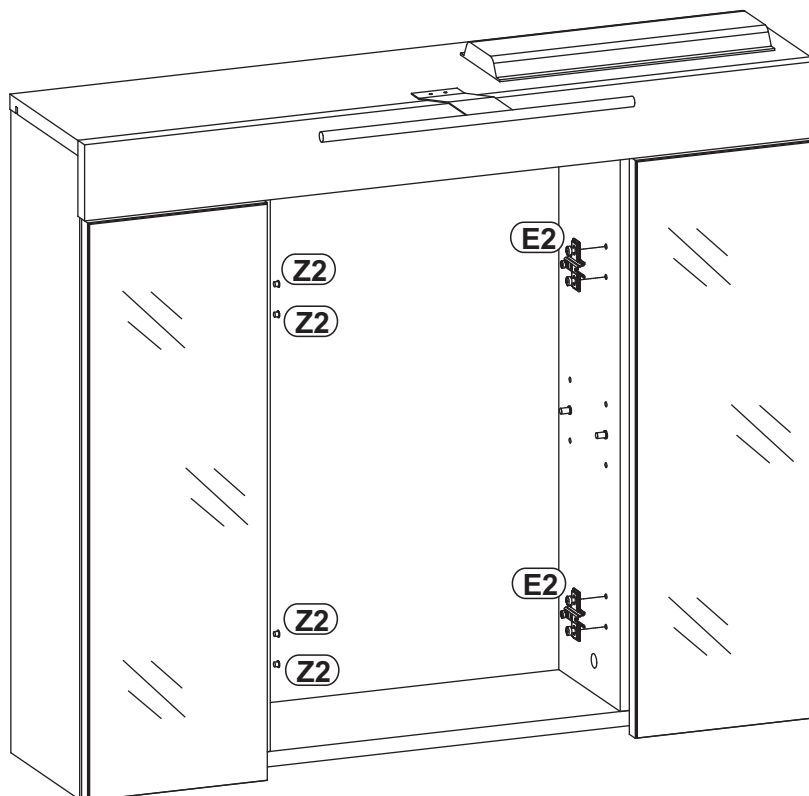
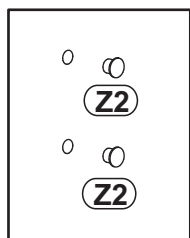
**16-17**



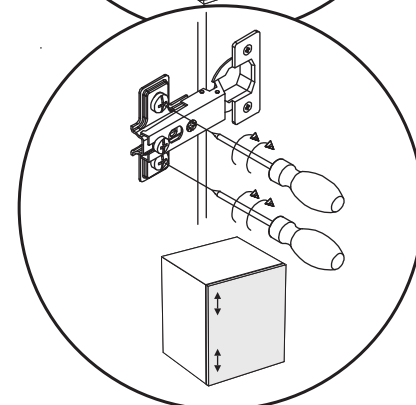
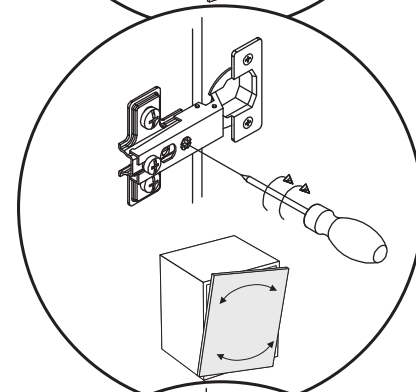
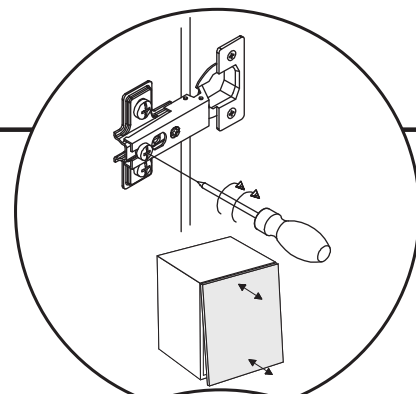
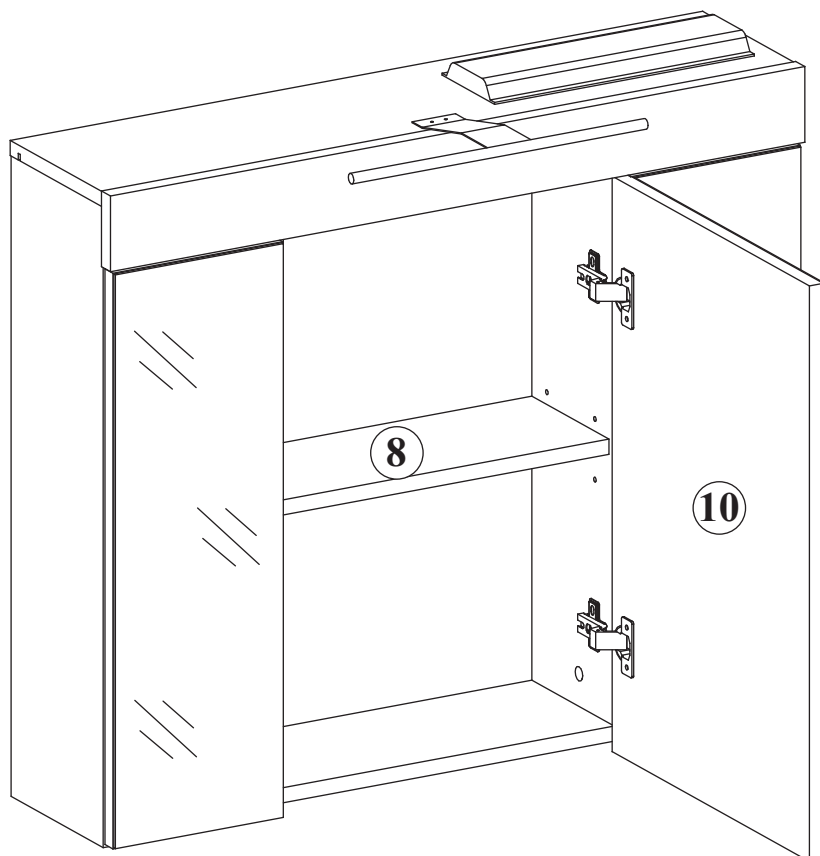
**18-19**



16



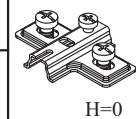
17



18

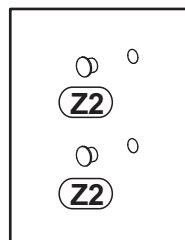
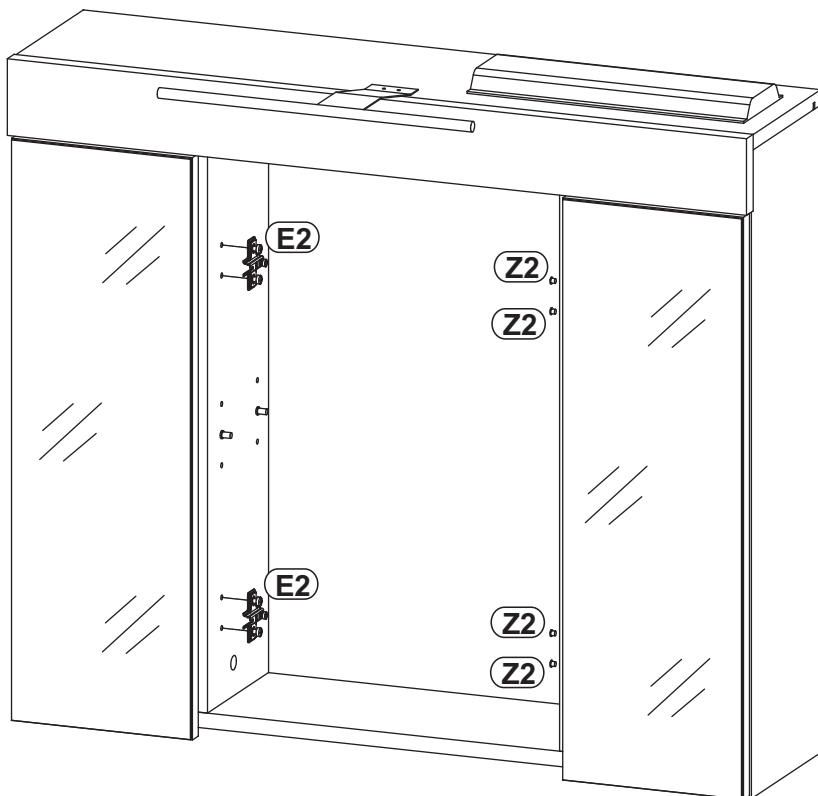
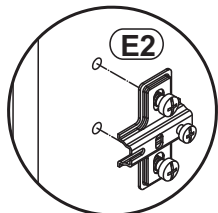
E2

x2



Z2

x4



19

